

Mercedes 190SL (W121)



SLS Import- und Export Handelsgesellschaft mbH

Content

01 Engine	5
01.a Engine	5
01.c Info Cylinder Head Bolts	7
01.b,03 Info Engine Gasket Sets	8
07 Solex Carburettor	9
09 Air Intake and Fuel Pump	11
09.a Air Intake and Fuel Pump	11
09.b Comment Fuel Pump	12
15 Electric Equipment (Engine)	14
15 Electric-Equipment (Engine)	14
15.i Info Spark Plugs	15
18 Lubrication (Engine)	17
20, 50 Cooling System	18
20,50,83 Engine Cooling	18
20.a Info Water Pump	19
22, 25 Engine Mount, Clutch	21
22.b Info Engine Mounts	21
22.a Engine Mount, Clutch	21
26 Gearbox	23
29 Gearshift and Pedals LHD	24
33 Front Suspension	26
35 Rear Suspension	28
40, 41, 81 Wheels, Prop.-Shaft, Wheel trim	30
40, 41, 81 Wheels, Prop.-Shaft, Wheel trim	30
40, 81.b Info Wheel decoration	31
42 Brakes	32
42.c Brake (Linings, Mastercylinder, Handbrake)	32
42.a Brake (Wheels)	33
42.d Info Brake Shoes rear	35
42.b Info Wheel Cylinder front	36
43 Brake Booster T50	36
46 Steering	38
47 Fuel Tank	40
49.a Exhaust System	41
49.b Stainless Steel Exhaust 190SL	42
54.a Electric Equipment (Dashboard)	43
54.b Wire Set	45
61 Chassis Raw Floor & Panelling	47
61 Floor Panelling	47
62 Panelling (Front)	48
64.i Info raw Bodyshell/Chassis w. detailed picts	49
64 Panelling (Rear)	49
67 Windscreen	51
68.a Floor mats and insulation	52
72 Door	53
77, 79 Softtop, Hardtop	56
77.b Softtop Equipmet	56
77.a Softtop	57
77.c Info Content Hood Frame	59
79 Hardtop	59
81 Interior Equipment	61
82 Lighting, W.-screen-wipe & wash	63
83 Heater System	66
88.b Chrome and Trims	68

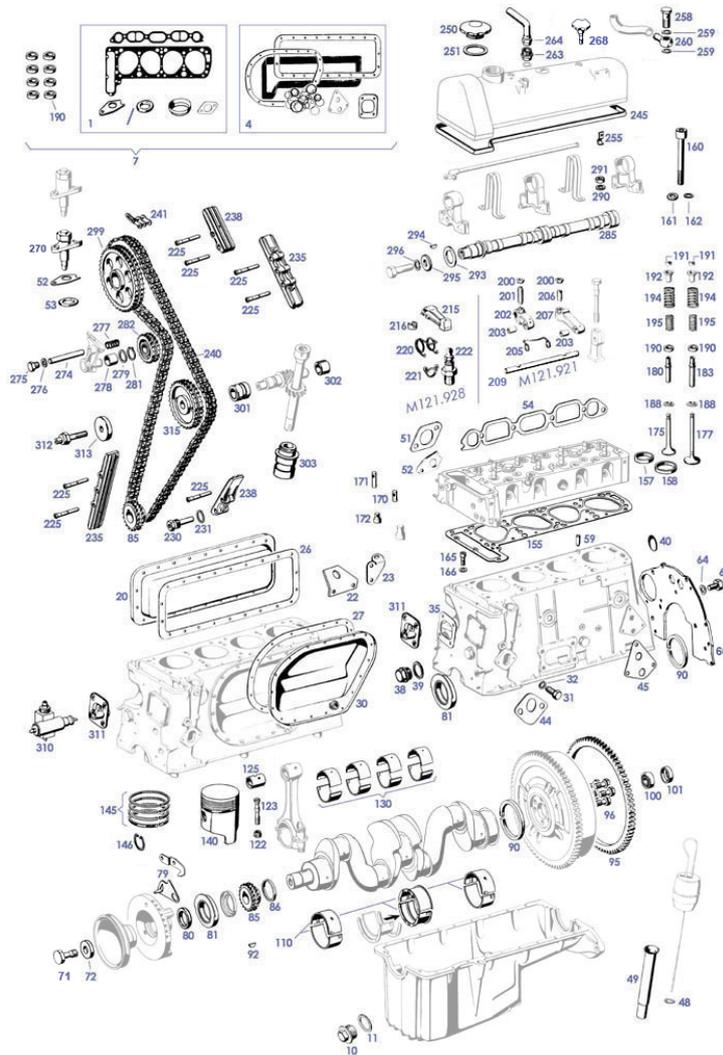
88.a Bonnet, bootlid & cover panels	70
91 Seats	71
97 Accessories	73

Jacobsrade 27 · D-22962 Siek
Tel. +49(0)40 656 939-0 · Fax +49(0)40 656 939-399
I-net: www.sls-hh.de · e-mail: service@sls-hh.de

01 Engine

01.a Engine

01.a Engine



	Rocker arm pin, 190,230,250, Repro	205842	62,00 €		Pipe elbow @ cylinder head, >8501757	120830	36,06 €
	Oil pump, fits 190SL, FEBl, late snorkel required	118806	681,99 €	test	rail, chain guide, several M115 types	505006	44,63 €
	Used: Flange, tacho drive	101460	356,99 €		Gasket at crankcase, 190SL, M110 early,	109804	2,25 €
10	Sump plug, version inhex	299300	4,69 €	10	Sump screw, M26 / Hex17	199300	4,26 €
11	Sealing ring fits lage sump drain plug (M26)	299301	0,31 €	20	Engine cover 190SI up to the 1958 model	101800	167,58 €
22	Bracket, .921 air tube strut ->8501731	101071	15,10 €	22	Bracket, .928 air tube strut	101073	51,23 €
23	Bracket, .921 air tube strut 8501731->	101072	36,03 €	26	Gasket, for Rt. side cover	101099	8,38 €
27	Bolt M6 x 12 in-hex	299043	0,36 €	27	Gasket, for Lt. side cover	101030	12,23 €
30	Copper seal ring	207115	0,18 €	30	Engine cover 190SL up to the 1958 model LH	101840	137,20 €
30	M121 Engine cover LH NOS	101040	130,00 €	32	Alu seal ring M12, eg. eng. block@chain	107143	0,24 €
35	Gasket, tach drive base M121	101035	9,97 €	38	Plug screw M18 e.g. pressure valve	218815	15,66 €
38	Plug screw M24 e.g. pressure valve	218816	29,75 €	39	Seal Ring gear box drain plug	226047	0,44 €
40	Expansion plug, 40mm	199074	14,28 €	40	Expansion plug, 35mm	199073	14,80 €
40	Expansion plug, 30mm	199072	14,80 €	40	hex. socket pipe plug with taper fine pitch thread	101005	1,90 €
44	Gasket at crankcase, 190SL, M110	109004	0,51 €	45	Gasket, upr.filter hsg./engine	118008	1,69 €

	early,						
48	Seal ring e.g. dip stick	101044	0,75 €	49	Guide tube 190SL	101066	129,70 €
51	Gasket, thermostate	120011	1,32 €	52	Gasket,tensioner to head,921->018422	105135	12,88 €
53	0' Ring tensioner to head	205135	0,55 €	54	Exh-/Intake gasket ELRING	114000	8,53 €
54	see 114000	114800	8,90 €	59	parallel pin, tolerance zone m6, 10 X 14	101190	1,34 €
60	Flange plate .921 from 8502445; 928	101077	178,50 €	64	M12-127 lock washer	235316	0,26 €
71	Necked down bolt for crankshaft pulley	103085	8,21 €	72	Washer	103083	7,14 €
76	Counterweight replica A6210311107	103042	390,32 €	79	pointer, 1st Gen, see picture	403022	36,00 €
79	pointer Generation 1+2 / 121.921 6501562 -> / 121.928 -> 003096	103023	31,88 €	80	Ring, crank seal distancer, 190SL	105040	22,06 €
81	Front oil seal	105041	17,39 €	85	Crankshaft sprocket	103011	36,28 €
90	Rear oil seal, 8 mm, from ca. 05.'61	205046	8,71 €	90	Felt-seal rr crank, 6mm ->05.61	105047	6,88 €
92	Woodruff key,cr-shaft .928 late,127earl	103026	9,16 €	95	Starter ring gear 108 teeth	103200	208,25 €
96	Flywheel stretch bolt	103029	9,98 €	100	Pilot bearing	103093	3,83 €
101	Cover, pilot bearing	103094	1,81 €	110	CS-Bearing set, 70.00 mm, M121...	103015	185,50 €
110	Bearing set, crankshaft +.25, watch hol	103016	157,79 €	110	CS-Bearing set, 69.50mm , M121...	103017	185,50 €
110	Bearing set, crankshaft +.75	103018	185,50 €	110	Bearing set, crankshaft +1.0 oversize	103019	157,79 €
123	Stretch Bolt for connecting rods, 190, 230 up 4-65, Repro	103075	11,65 €	125	A1860380750 Bushing, Con-rod 921 Eng. S	103070	85,85 €
130	Conrod beargs. 52.00mm, M121...	103010	162,48 €	130	Bearing set, conn.rods 1.25 Oversize	103055	390,95 €
130	Bearing set, conn.rods -0,25	103020	159,65 €	130	Bearing set, conn.rods -1.00	103050	161,00 €
130	Bearing set, conn.rods -0,75	103040	162,48 €	130	Bearing set, conn.rods -0,50	103030	155,53 €
140	as long as stock lasts! Piston 121.921 85.00mm Mahle	103002	265,00 €	140	Piston 121.921 85.25mm Mahle	103003	269,44 €
140	Piston 121.921 86.50mm Mahle	103006	252,99 €	140	Piston 121.921 86.00mm Mahle	103005	255,37 €
140	Piston 121.921 85.50mm Mahle	103004	252,99 €	145	Ring set 85,5mm for 1 piston	103062	65,64 €
145	Ring set per piston 85.00 (4-R-piston)	103060	59,99 €	145	Piston ring set 86.00mm per piston 190S	103063	65,64 €
150	Gewindestutzen zB Messkapillare in Kopf	120037	27,20 €	150	A1210109920 Cylinder head, 921 engine	101100	5.159,00 €
155	Cylinder head gasket 190SL	101620	138,98 €	155	Cylinder head gasket 190SL	101020	74,90 €
160	Cylinder head bolt 105mm for engine M121 921,127,129,130 cylinder head screw 140mm	101105	5,99 €	160	Allen head bolt 125mm .921 6x, .928 3x	101125	5,50 €
160	InHex bolt 12.9, M8x30, sump, ...	201140	9,98 €	161	Washer, M12 cylinder head bolt	101822	2,86 €
165	Exhaust valve	118018	2,05 €	175	Exhaust valve Na-filled	105010	47,60 €
175	Valve Guide, exhaust, 14.018 mm	105110	59,50 €	177	Inlet Valve 190SL, ...	105113	29,58 €
180	Valve guide outl. 14,10mm	105080	16,18 €	180	Valve Guide, exhaust, 14,20mm	105090	15,17 €
180	Valve guide, 2nd oversize. 14.2mm	105980	15,17 €	183	Valve guide inlet 14.10mm	105250	17,85 €
183	Valve lock, 1 hal, ->'67	105300	15,59 €	190	Valve sealing ring, 1 pce	102204	1,29 €
191	Valve spring	105046	6,00 €	194	Valve spring, Outer	105811	12,99 €
195	Valve adjustment nut M10x1, height 4,3	105012	12,90 €	200	Valve adjustment nut M10x1, height 6,1	105819	12,50 €
200	Valve adj.screw,rocker arm 'out'	105019	2,48 €	201	Valve adj.screw,rocker arm 'out'	105017	155,00 €
201	Valve adj.screw,rocker arm inlet (short screw)	105817	29,75 €	202	Rocker arm, Exhaust. 921 Eng	105016	165,01 €
206	1 pce Rocker arm shaft for engine 121.921	105018	23,38 €	207	A1210500033 Rocker arm, Intake 921 Eng.	105015	201,11 €
209	Rocker arm inlet/outlet	105023	128,52 €	215	Rocker arm, FEBI	205040	25,36 €
215	Thrust piece 3.5mm	205840	28,92 €	216	Thrust piece 2.5mm	205038	19,93 €
216	Spring, rocker base bolts ->'67	205037	27,13 €	216	Thrust piece 4.5mm ->5.69 (FN)	205036	25,89 €
221	Guide rail pin 58mm	105029	8,98 €	225	Pin for chain guide, L 48,5mm	105830	12,25 €
225	Pin	105805	15,35 €	225	Pin, 51mm- until 8501731	105820	10,76 €
230	Chain guide, long, alu base	705804	13,76 €	231	Seal ring f. bolt 705004	705005	0,68 €
235	Chainguide,new,all plastic	105004	145,92 €	235	Sicherungsdraht für Gleitschiene	405099	2,03 €
238	Timing chain 130 Inks (shorten,if necessary)	205010	2,82 €	238	Chainguide short, design meets old original	105006	189,97 €
240	Gasket, Valve cover,	105003	60,90 €	241	MasterLink Duplex chain (content of chain)	199013	2,55 €
245	Sealing ring, oil cap (metal screw)	101010	22,54 €	245	Gasket, Valve cover, M121, brand REINZ	101810	9,97 €
251		101055	4,30 €	255	Clamp, e.g. oil-pipe, wires	199025	4,22 €

	on cap)					
258	Hollow bolt, eg eng vent ->'55	109018	9,76 €	259	Seal ring 18x22 Al	109019 0,94 €
260	Banjo fitting, norm, fits M18	109816	16,01 €	264	Breather tube @ valve cover, 5500996->	109015 86,99 €
268	Bolt, hand driven, valve cover	105105	158,98 €	270	Chain tensioner	105101 310,00 €
273	Link, chain tensioner 121.921	105036	332,80 €	274	Shaft for lever, tensioner	205814 10,00 €
277	Spring	299113	8,09 €	278	Bushing	105112 40,70 €
281	retaining rings for shafts 20 X 1,2	299498	0,26 €	282	Tensioner sprocket+bushing, Repro	105002 156,95 €
285	Camshaft, M..921, Repro, doesnt meet MB quality	105601	647,32 €	287	Stud M8 camshaft bearing	101139 3,46 €
290	washer for socket head screws 8,4 zinc plated	199089	0,10 €	293	Spacer 2.7 mm behind camshaft sprocket	205818 17,50 €
294	woodruff key, standard, 4mm	205077	1,00 €	294	A6219910467 Woodruff key, 4° cs.	205078 13,99 €
295	Disc to screw camshaft sprocket	105821	9,52 €	295	Shim, camshaft sprocket	105021 3,93 €
296	Spring washer 14mm e.g. cam wheel	105028	0,55 €	299	Camshaft sprocket M121,127,129,130,.. FEBI	105001 23,47 €
301	Bushing, intermediate sprocket shaft	205020	59,98 €	302	Bushing	105037 59,12 €
303	A1801500107 Distributor drive bushing	105039	136,85 €	310	Tachometer drive gear	105008 627,37 €
312	drive bolt at rev-counter gear	105032	37,09 €	313	Shim, tacho drive	105031 15,48 €
315	Intermediate sprocket, "B-quality"	105007	96,15 €	315	Intermediate shaft sprocket	105807 179,99 €

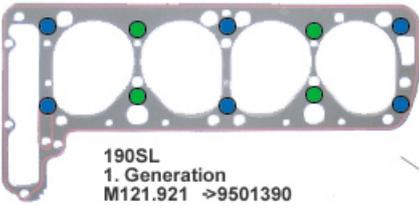
01.c Info Cylinder Head Bolts

01.c Info Cylinder Head Bolts

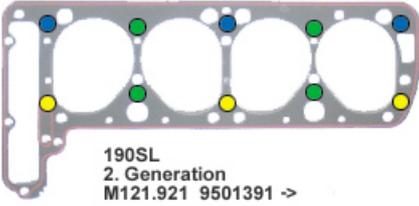
● 105mm = SLS [101105](#)
● 140mm = SLS [201140](#)
● 125mm = SLS [101125](#)



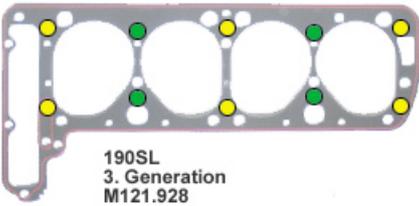
Bauart der Schrauben: siehe Produktbilder
 Anzugsmomente: Werkstattdokumentation und Angaben der Kopfdichtungs-Beilage beachten
 Bolt design see product illustration, torque see workshop manual and head gasket product info



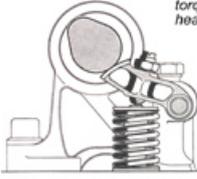
190SL
 1. Generation
 M121.921 ->9501390



190SL
 2. Generation
 M121.921 9501391 ->



190SL
 3. Generation
 M121.928



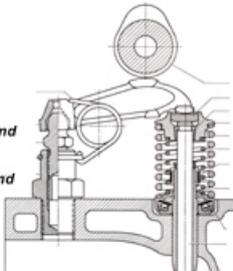
M121.921:
 Schwinghebel E / A unterschiedlich und auf Nebenwelle gelagert
 Rocker arms I / O differing and supported on shaft



121.921 ->59:
 NW-Lager mit flachen Laschen
 CS Bearings with flat feet



121.921 59->
 NW-Lager mit hohen Laschen
 AUCH frühe, bei NW-Lager-ERSATZ
 CS-Bearings with high feet
 AND earlier, if bearings REPLACED



M121.928:
 Kipphebel E / A sind gleich und abgestützt auf Kugelbolzen
 Rocker Arms I / O identical and supported on ball head bolts

Washer, M12 cylinder head bolt	101822	2,86 €	101105	Cylinder head bolt 105mm for engine M121 921,127,129,130	101105	5,99 €
--------------------------------	------------------------	--------	--------	--	------------------------	--------

101125 Allen head bolt 125mm .921 6x, [101125](#)
 .928 3x

5,50 €

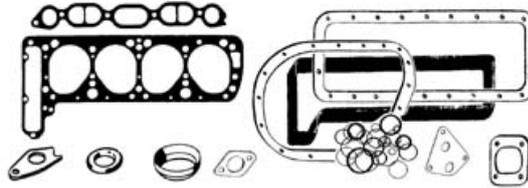
201140 cylinder head screw 140mm

[201140](#)

9,98 €

01.b,03 Info Engine Gasket Sets

01.b,03 Info Engine Gasket Sets



190SL (M121.921 und M121.928 Motor-Dichtsätze

von		bis		Vollsatz	ZKD-Satz	Rumpfsatz
Motor-Nr	Datum	Motor-Nr	Datum			
M121.921	Anfang	04.1955		100100	102105	100101
			6503209 12.07.1956			
		6503210 12.07.1956				
			7501734 08.1957	100105	102100	
		7501735 08.1957				
			8501731 22.07.1958			
		8501732 22.07.1958		100110		100201
		18422 25.08.1960				
	18423 25.08.1960					
		22122LHD 01.08.1961		100200	102200	
		22285RHD 15.08.1961				
M121.928	Anfang	01.08.1961	Ende 12.1962			

Gasket at crankcase, 190SL, M110 [109804](#)
 early,

2,25 €

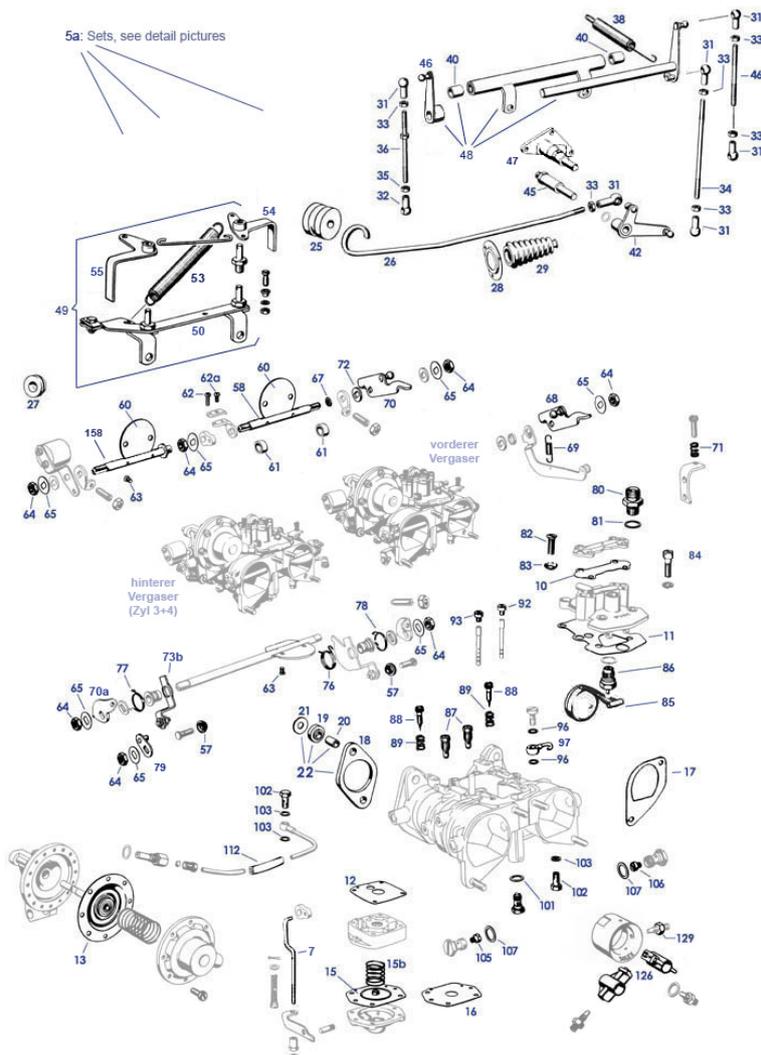
101199 Set gasket rings

[101199](#)

12,98 €

07 Solex Carburettor

07 Solex Carburettor



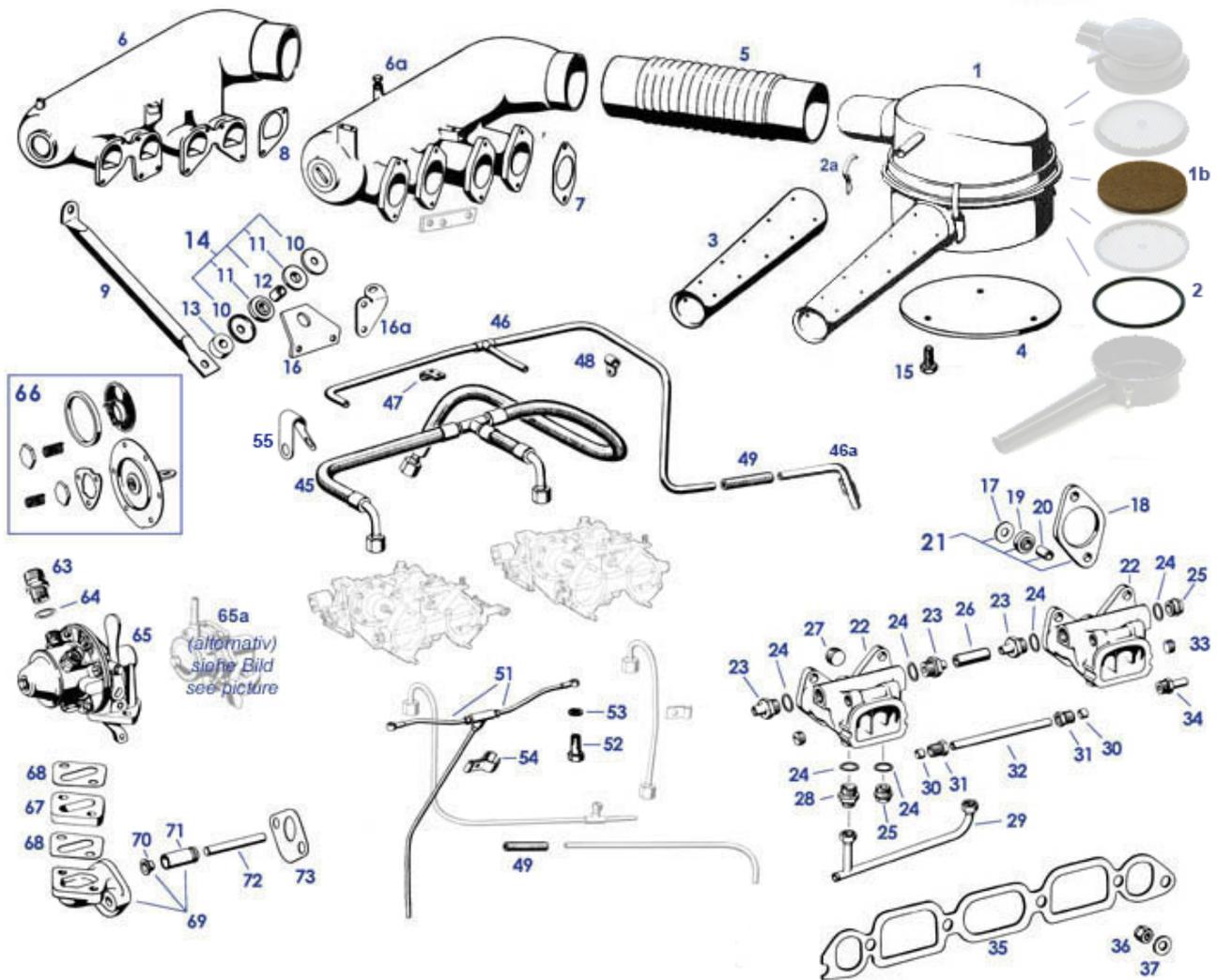
5a	Dampening rubber for pull rod	130200	11,75 €		Overflow pipe, end	107847	32,49 €
5a	Rep-Kit 190SL Solex-Carburetor	107151	71,40 €	7	push rod, carb acc unit	107158	89,49 €
10	Gasket, top cover	107050	3,25 €	11	Gasket, Solex hsg top	107060	5,99 €
12	Gasket, Solex 44PHH pump hsg. MB no. A0000711880	107030	8,69 €	13	Diaphragm for Solex vacuum device	107020	78,41 €
15	Diaphragm complete, acc-pump @ carb	107040	49,85 €	15b	Spring at diaphragm	107055	8,91 €
16	Membrane w.o. retainer	107045	10,00 €	17	Gasket air tube to carb.->55	109043	9,13 €
17	Gasket for air tube 1956->	109045	5,00 €	17	Gasket, air tube '56->	109245	3,49 €
17	Gasket air tube to carb.->55	109743	8,33 €	18	Rubber flange w. metal insert	107811	84,17 €
18	Rubber flange, carburetor to manifolds	107711	7,09 €	19	Rubber shim on carburettor flange	107814	3,61 €
20	Spacer sleeve on carburettor flange	107012	5,99 €	21	Washer on carburettor flange	107013	3,99 €
25	DAMPening rubber for pull rod 45 SHORE A	130800	6,39 €	25	Buffer ring, acc linkage (60°SH)	230800	6,39 €
26	Pull rod, acc linkage LHD, comes w/o joint, w/o nut	130006	40,61 €	27	Two hole grommet,heater & choke cables	130005	3,05 €
28	Cover plate, acc bellow, LHD	130050	23,45 €	29	Accelerator rod bellows	130100	8,68 €
32	Ball socket with Lt. hand threads	230004	2,44 €	33	Nut, 5mm, right hand thread	199095	0,24 €
34	Carburetor linkage rod 145mm	107041	11,28 €	35	Nut, 5mm Lt. Hd. Threads	230006	0,83 €
36	Linkage adj. rod Lt. & Rt. carb M5L+M5R, LoA 101,5	107015	27,26 €	38	Trottle linkage return spring	107021	8,09 €
40	Carb control shaft bushing	130045	8,45 €	42	Linkage angle lever at block	107023	56,79 €
45	Cotter pin 1,6 x 16	780888	0,12 €	45	Linkage pin at block, 8501732 --> end	107022	32,00 €
46	Rear lever on reg. shaft	107016	50,99 €	46	Carburetor linkage rod 80mm	107042	9,22 €

47	Linkage pin at block, up to '58	107048	62,31 €	48	Acc linkage @ Solex, assy see pict	107148	181,11 €
49	Hot start linkage assy	107149	197,48 €	50	Hot start linkage support,(c.i.5pts)	107001	155,00 €
53	Hot start return spring	107805	5,36 €	54	front angle lever@ hot st. linkage	107003	82,42 €
55	rear angle lever@ hot start linkage	107002	88,00 €	56	A1210710695 Wire connection between lev	107004	14,16 €
57	Bushing, cable fixing	107029	3,45 €	58	Throttle spindle 44PHH 1st step	107828	42,28 €
60	A0000711710 throttle flap (start)	107107	35,20 €	60	Rep diam carb flap 13° +0,2mm	107885	52,00 €
60	Rep diam carb flap 17°+0,4mm	107888	48,90 €	60	Throttle spindle 44PHH 2nd step	107829	42,28 €
60	Rep diam carb flap 17° +0,2mm	107887	48,50 €	60	Rep diam carb flap 13° +0,4mm	107886	48,90 €
60	Throttle flap, 17°	107083	52,00 €	61	Bushing throttle flap shaft 4x req.	107086	8,20 €
63	Screw, throttle flap	107077	2,99 €	64	Nut, M8x1 slim, e.g. throttle shafts,..	107036	0,56 €
65	Lock shim, e.g. throttle shafts	107035	1,79 €	67	Seal ring f.throttle shaft,1st.barrel	107033	4,15 €
68	Lever, carb.II	107106	110,73 €	69	Extensionspring, follower lever at carb. II	107031	14,93 €
70	Lever, carb.I	107105	124,43 €	70a	Support, carb. I	107103	35,44 €
71	Spring, idle adj.screw	107074	4,76 €	73b	Choke lever, carb.I	107104	26,89 €
76	Spring at carburator, starter flap	107092	11,03 €	77	Throttle shaft spring, carb.I	107110	11,65 €
78	Throttle shaft spring, carb.II	107111	11,65 €	79	Lever on starter flap shaft, for limiter	107112	15,33 €
80	Threaded fitting, fuel line	107117	37,19 €	81	Seal ring at threaded fitting	107097	0,60 €
82	Sunk screw, slot, spec. carb cap	107056	2,39 €	82	Sunk screw, slot, spec. carburettor cap	107856	2,39 €
83	toothed lock washer, external teeth 6,4mm	107051	0,24 €	84	Screw, square head	107078	5,53 €
85a	Float, fits Solex 44 PHH	107843	99,16 €	86	Float chamber valve, M12 fits Solex	107080	39,84 €
86	Float chamber needle valve ring	107067	1,57 €	87	Idling jet 55	107073	10,29 €
87	Idling jet size 50 (190SL early)	107072	7,53 €	88	Idle mixture control screw, Solex carb.	107032	5,40 €
92	Air correct.jet (1st channel)	107091	10,92 €	93	Air correct.jet (2st channel)	107089	11,04 €
96	Seal ring at carb.	107059	0,19 €	97	Acc. jet tube	107071	84,49 €
101	Seal ring at carburetor valve	107088	2,69 €	102	Hollowscrew M6 x 0,75 x 15, carb. drain pipe	107027	10,95 €
105	Main jet,size130(1st channel)	107066	16,09 €	105	Main nozzle 120, 1st	107062	19,52 €
105	Main nozzle 115, 1st	107064	4,99 €	106	Main nozzle 160, 2nd	107065	6,55 €
107	Seal ring	107069	1,80 €	112	Vacuum hose	107096	6,66 €
126	Sprayer tube 1st / 2nd	107126	172,55 €	129	Hex nut M6, yellow zinc.	181023	0,18 €

09 Air Intake and Fuel Pump

09.a Air Intake and Fuel Pump

09.a Air Intake and Fuel Pump



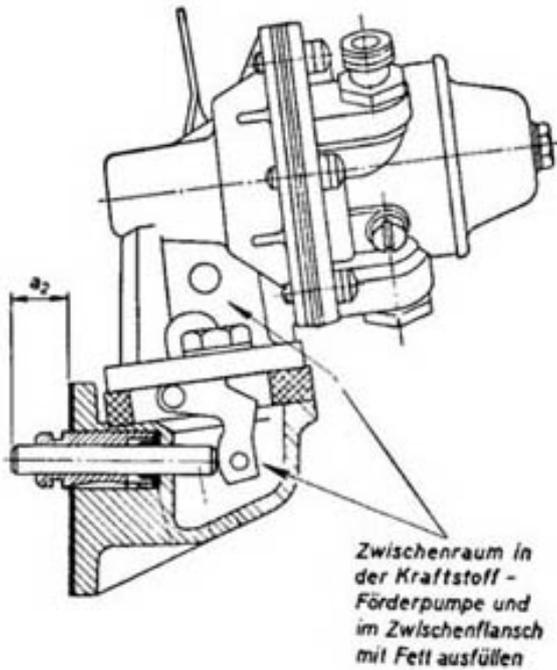
Intake manifold and carburetor housings are injection molded (previously sand cast) from engine number ..921-5500709 (09.'55); as identification marks please check the form of the channel seals 7 + 8 in the picture. If the collection tube and filter housing have not been installed or have been newly installed, the reason could be a previous installation of Weber carburetors. In this matter, check that the surrounding parts (support no. 9, fuel lines, suction ducts with duct transition) are considering the new situation.

	1m cooling water hose 12/19mm	250823	7,14 €		Gasket at crankcase, 190SL, M110	109804	2,25 €
1b	air filter insert 190SL	114400	21,00 €	1	Air filter unit 190SL complete, Repro	114620	1.142,96 €
2a	Lock f.filterbox, flat spring	314825	9,98 €	2a	cotter pin 3 x 28, fits 314025 ...	314029	0,32 €
2	Rubber seal ring, filter bucket	109025	15,35 €	3	Air filter intake snout	114610	94,22 €
4	Air filter pad 190SL	109020	27,19 €	5	Air hose to intake manifold	109880	53,10 €
5	Clamp, air hose	209004	2,77 €	5	product replaced: Lock / winding clip for 9mm strap	109035	2,09 €
5	1m metal strip, 9mm clamp	109030	4,00 €	5	Air hose to intake manifold	109800	94,80 €
6	Air intake tube,(except'55) Repro	109100	1.100,75 €	6a	Air tube -> M5500708, reconditioned	109102	1.499,00 €
7	Gasket air tube to carb.->55	109743	8,33 €	7	Gasket air tube to carb.->55	109043	9,13 €
8	Gasket, air tube '56->	109245	3,49 €	8	Gasket for air tube 1956->	109045	5,00 €
9	Carburetor support	109105	35,71 €	10	retainer shim, div. M8 mounts	109107	3,19 €
12	Metal tube	199024	9,57 €	13	9mm Spacer, from Eng# 8501730	109106	11,54 €
15	Screw M6x18 e.g. Filter box	109024	0,38 €	16a	Bracket,.921 air tube strut 8501731->	101072	36,03 €
16a	Bracket,.928 air tube strut	101073	51,23 €	16	Bracket,.921 air tube strut ->8501731	101071	15,10 €

17	Washer on carburettor flange	107013	3,99 €	18	Rubber flange, carburetor to manifolds	107711	7,09 €
18	Rubber flange w. metal insert	107811	84,17 €	20	Spacer sleeve on carburettor flange	107012	5,99 €
22	Intake manifold 190 SL	114900	919,99 €	23	Threaded fitting e.g. air manifold	114030	39,76 €
24	Alu ring 22mm	199924	0,60 €	25	Plug screw M22 with collar	114035	24,61 €
27	Plug screw M24 conical, no collar	114025	8,98 €	28	Threaded fitting, intake channel	114020	28,19 €
29	Water return pipe, intake to pump	114045	49,36 €	30	Fixing ring f. sync-breather pipe	114026	7,12 €
31	Screw fitting	114027	14,88 €	32	Metal tube, carb-air/vac line	114028	7,35 €
33	Plug screw M18 conical, no collar	114031	12,79 €	34	Screw nipple for ATE booster	114032	25,59 €
35	Exh-/Intake gasket ELRING	114000	8,53 €	36	Nut, M10, exh manifold	114008	1,25 €
37	Washers, e.g. exh.manifold->head	114007	9,98 €	45	Fuel line, pump to carbs,REPRO, fits Solex+109090	107009	249,90 €
46a	Overflow pipe, end	107847	32,49 €	46	Overflow pipe late, Repro	107108	164,99 €
46a	Overflow pipe, end	107047	36,77 €	47	Mounting clamp	107044	9,75 €
48	Clamp at thermostat	107053	13,20 €	49	1m fuel hose ID 7,5mm, surface(outer) fabric	947046	4,99 €
49	1m. Fuel hose 7,5x13,0 flat surface	247007	8,50 €	51	Carburetor drain pipe	107024	163,20 €
52	Hollowscrew M6 x 0,75 x 15, carb. drain pipe	107027	10,95 €	53	Seal ring at carb.	107059	0,19 €
55	Clamp, fuel line 10mm diam.	107038	47,66 €	63	Threaded fitting, fuel pump, M12/M14	109011	25,57 €
63	screw-in fitting,fuel hose connection, M12X1,5 8mm diam.	409012	6,19 €	64	Seal ring at threaded fitting	107097	0,60 €
65a	Mech. fuel pump, engines with no drive flange	509092	70,50 €	65	Fuel pump, as original with primer lever with gasket(sls)	109090	308,88 €
65a	Fuel pump similar 509190, but labelled "Pierburg"	509090	97,28 €	66	spring ring for M5 head screws	199041	0,10 €
66	Repair Kit Fuel Pump A0005860009	109010	93,91 €	67	hex. socket head cap screw, zinc plated, M8 X 28	109008	1,99 €
67	Insulating flange, e.g @ fuel pump	109001	8,32 €	68	Gasket, fuel pump to insul.flange	109002	1,88 €
70	hidden seal, f/p flange	109005	5,95 €	73	Gasket at crankcase, 190SL, M110 early,	109004	0,51 €

09.b Comment Fuel Pump

09.b Comment Fuel Pump



Orig.-Pumpe mit Handhebel

Durch Umbau sind häufig kleinere Nachrüst-Pumpen vorzufinden, teils mit geänderten Leitungsanschlüssen !

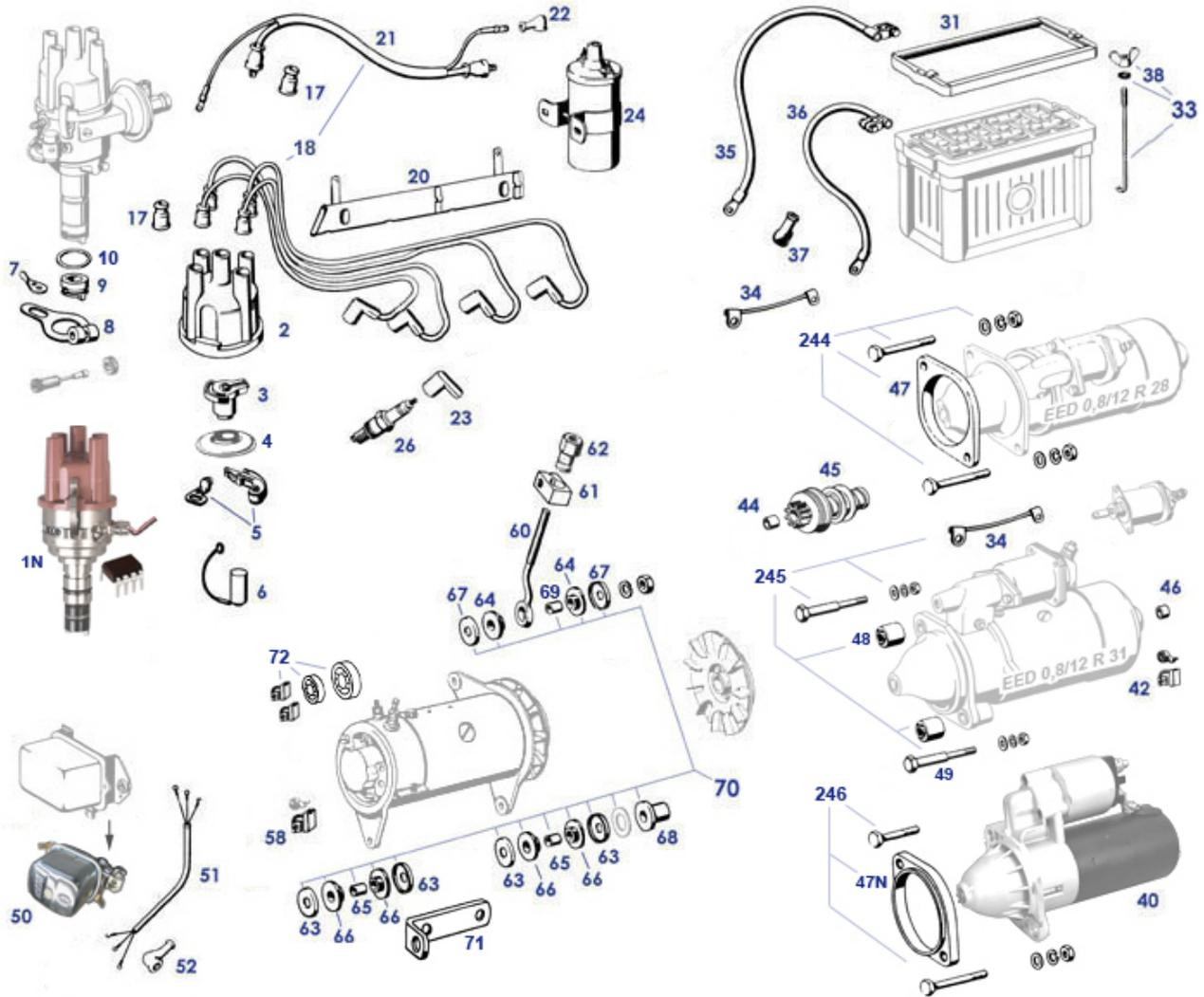
This type of pump corresponds to the 190SL original equipment, but can be replaced by mechanical pumps from the free market. Frequently: retrofitted additional filters in the pressure line. When retrofitting, please check the connections of the suction and discharge lines, the reserve cock and the ram flange. The position of suction / pressure connection can be rotated by re-assembling the upper pump housing shell. Depending on the speed, intact pumps can provide an output of approx. 0.15 bar (starting speed) up to 0.3 bar and 35 ltr / h (up to 70 ltr / h at high speeds). Adjacent to dimension a2, the required clearance from 0,4 - 0,5mm results as a difference to the cam base circle in the motor, please check. The diaphragm hole circle of 70mm is a recognition mark for the compatibility (pump SLS 109090, rep. Set SLS 109010) Contemporary retrofits were also made by electric pumps, possibly with the omission of the reserve cock and in conjunction with Weber carburetors.

pump	Insulating flange, e.g @ fuel pump	109001	8,32 €	pump	Gasket, fuel pump to insul.flange	109002	1,88 €
pump	Gasket at crankcase, 190SL, M110	109004	0,51 €	pump	hidden seal, f/p flange	109005	5,95 €
pump	Repair Kit Fuel Pump A0005860009	109010	93,91 €	pump	Threaded fitting, fuel pump, M12/M14	109011	25,57 €
pump	Fuel pump, as original with primer lever with gasket(sls)	109090	308,88 €	pump	Gasket at crankcase, 190SL, M110	109804	2,25 €

15 Electric Equipment (Engine)

15 Electric-Equipment (Engine)

15 Electric-Equipment (Engine)



	Ignition Coil "Pertronix Flamethrower-I"	554702	152,32 €		hex. head bolt grade8.8 yellow zinc plated M12X90	115249	2,33 €
	M12 DIN 127 lock washer	233042	0,39 €		hex nut M12 X 1,5 zinc plated class 10	233046	1,58 €
	hex nut M12 X 1,5 zinc plated	235229	0,65 €		Plug hsnng,Regulator, 3xflat	254080	7,28 €
	Starter overhauled, 190SL, used original required in advance	115200	737,80 €		Shim eg.generator bracket frt	115013	4,59 €
	Locking ring M10	299328	0,38 €		Wire bushing with treaded pin	515999	2,25 €
	hex nut M10 (hex17), hot zined	199148	0,57 €		Bolt M12 x 80, e.g. Starters up to 1957	115044	2,06 €
	hex.head bolt grade 8.8 M12 X 75 zinc plated	115248	2,01 €	1N	1-2-3 Ignition Distributor fits 190SL	115801	317,79 €
1N	1-2-3 Ignition Distributor fits multiple 4 Cyl. models	515801	355,00 €	1	Sp. clip, dist. cap to body	215026	1,64 €
1N	Conversion kit Ignitor-II, 190SL VJ/VJR/VJUR 4BR	115703	535,50 €	2	Cap, fits Alu repl-distributor	115035	30,40 €
2	distributor cap	115005	79,90 €	2	Distributor cap from 5500937 to 024547, Bosch	115006	98,19 €
2	Distrib.cap 5500937->024547, phn.resin	115025	37,39 €	3	Distributor rotor button	115024	18,80 €
3	Rotor distr.,Bosch, 190SL, R113 "iron cast distr"	215804	45,73 €	3	Rotor distr.,Beru, 190SL, R113 "iron cast distr"	115004	15,73 €
3	Distributor rotor, phenolic resin	115026	16,91 €	4	Dust cover, inside distributor	215012	8,50 €
5	Pointerset,eg190SL from 024548	115009	84,14 €	5	Point set for Dist. 5500905 to	115001	9,59 €

5	VJR4BR29 Pointer set 190SL from 024548, Bosch NOS	115809	58,42 €	5	024548 Cont.b.set, 230-280SL 'G'	215003	18,15 €
6	Capacitor 190SL, 113-"G" (iron dist)	215007	5,09 €	6	Condenser f.'Alu' w.no1-lead	215037	8,51 €
6	Capacitor w/o bracket, BERU	215807	4,39 €	6	Condenser, early w. bracket	115008	7,31 €
7	Eccentric adjuster	115074	44,39 €	8	Adj. flange R4+R6 1958-1968	115073	31,32 €
8	Distance ring	115077	3,89 €	9	Distributor drive dog incl pin+spring	215036	24,81 €
10	Seal ring I/D 21,5 / material 4,75 mm ref.-No. A0119970548	715229	0,48 €	17	N/A solder-on connector. replace with 515999	215999	0,27 €
17	Prot.sleeve ign.leads -> distributor	215815	2,73 €	17	Silicone ign lead, 1m	215116	8,77 €
18	rubber cap ID 11mm eg spark plug connectors	515998	0,87 €	18	Ign.wire kit 190SL,180.'Dowal+BO'	115101	118,44 €
18	Ign.lead set 180-190b,c,SL, late1KOhm	115102	127,33 €	20	Spring washer, fits M6	181028	0,18 €
20	Metal tube for ign leads	115110	70,46 €	20	Hex Bolt M6 x 10 yellow zined	299997	0,35 €
21	Cable set, coil/distributor	115050	45,82 €	23	Spark plug connector, 1kOhm, angled, Bakelite	115056	18,56 €
24	Ignition Coil "Pertronix Flamethrower-II"	554711	138,64 €	24	Ignition coil, late 190SL, others,	115002	52,73 €
24	Ignition coil, late 190SL, others, NGK	115602	43,85 €	24	Ignition coil, late 190SL, others, Beru	115702	49,98 €
26	Spark plug, NGK BP7ES	215019	3,39 €	31	Battery hold down frame	154075	73,90 €
33	1x Hold down screw + wing nut	154086	7,97 €	34	Ground wire, starter flange -> firewall	154107	43,99 €
34	Starter ground cable to clutch housing	154006	36,99 €	35	Neg.-batterie cable	154598	83,90 €
36	Starter wire (+)	154599	105,90 €	37	Rubber Boot on Starter Motor and Alternator	254126	7,16 €
37	Cap, starter terminal	154056	5,71 €	37	Rubber cap, starter wire, small	754026	6,14 €
38	Wing nut, M6 yellow zined, batt.support, pws tank, ..	154089	2,55 €	40	Starter, fits 190SL *, modern style	115800	369,50 €
44	Bushing, starter, d12,5xD16,5xL14	115031	8,95 €	45	Starter drive gear 190SL, no name	115830	249,50 €
46	Bushing, starter, d12,5xD16,5xL11,5	115032	0,95 €	47	Spacer ring for FN starters, see picture, D10mm	115045	174,73 €
48	Silent bushing, fits Bosch starter 57-63	115046	66,02 €	49	Bolt, starter .921	115049	16,01 €
50	Regulator 14V/11Amps (130W) Bosch, elektr.	415065	219,41 €	50	co-current flow regulator 14V 30A	415066	217,87 €
50	Regulator for 20A DC Generators, 190SL, Repro	115766	261,80 €	51	Generator to V-reg. harness	154008	62,00 €
52	Rubber dust boot (at Gen. .)	254051	3,25 €	58	Set of 2 carbon brushes, generator	115814	9,59 €
60	Generator tensioning screw, late LHD (large eye)	115023	191,24 €	60	LHD-Generator tensioner bolt ->M015137	115042	170,00 €
61	Clamping block, generator belt adjuster	115022	23,92 €	62	Tightening nut @ tensioner M8 hex17	115059	11,31 €
63	retainer shim, div. M8 mounts	109107	3,19 €	64	Rubber spacer, generator supp, 190late	115819	4,26 €
65	Metal tube	199024	9,57 €	66	Rubber bushing, e.g. generator->rod	115817	1,75 €
67	Retainer e.g. Generator bolt late	115093	5,02 €	68	Spacer sleeve 25.5mm	115038	19,11 €
69	Bushing eg.generator bracket	115040	6,66 €	69	Bushing eg.generator bracket	115041	5,59 €
71	Support, generator, LHD	115057	30,13 €	72	generator 160W repair set (190SL series)	115815	44,15 €
244	Parts kit starter mount '55-'57, "EED... 28"	115244	80,28 €	246	Parts kit starter mounting "modernized"	115246	129,10 €

15.i Info Spark Plugs

15.i Info Spark Plugs

Die Kerzentypen Bosch W5... bis W8... können Sie bei uns bestellen, wie auch die NGK BP8... bis BP5...

Die Tabellen zeigen Auszüge aus den Hersteller-Empfehlungen. Ein Ausweichen auf einen "benachbarten" Wärmewert-Index kann sinnvoll sein, je nach Einsatzbedingungen und Zustand von Motoren.
 Bosch: Hohe Kennziffer = heiße Kerze = schnelles Fröhenrennen
 niedrige Kennziffer = kalte Kerze = geringe Gefahr von Glühzündung
 NGK: u m g e k e h r t

200 (Typ 115)	01.68-01.77	W 6 DC	0,8
200 (Typ 123) Mot. M 102	06.80--	H 7 DC	0,8
200 (Typ 123) Mot. M 115	02.76-07.80	W 7 DC	0,8
220 (Typ 115)	01.68-01.73	W 6 DC	0,8
	08.71-07.73 USA	W 7 DC	0,8
230 (Typ 114) 4 Zyl	01.68-11.76	W 6 DC	0,7
	08.73-12.76	W 6 DC	0,8
	09.72-08.74 USA	W 7 DC	0,8
	09.74-09.76 USA	W 6 DC	0,7
230 (Typ 123) Mot. M 102 K-Jetronic	04.80--	H 7 DC	0,8
230 (Typ 123) Mot. M 115	01.68-11.72	W 6 DC	0,8
	09.76-08.78 USA	W 8 DC	0,8
	03.79--	W 7 DC	0,8
250 (Typ 114) Mot. 114	01.68-11.72	W 6 DC	0,7
250 (Typ 114) Mot. 130	01.68-11.76	W 6 DC	0,8
	01.68-08.71 USA	W 6 DC	0,6
	09.71-09.72 USA	W 7 DC	0,8
250 (Typ 123)	02.76--	W 6 DC	0,8
280 (Typ 108)	01.68-11.72	W 6 DC	0,7
	01.68-09.71 USA	W 6 DC	0,6
	07.71-06.72 USA	W 7 DC	0,8
280 (Typ 108, 111) Einspr.	01.68-09.71 USA	W 6 DC	0,7
	09.71-08.72 USA	W 7 DC	0,8
280 (Typ 108, 111) 3,5 Ltr.	01.68-11.72	W 6 DC	0,7
280 (Typ 114)	02.76-02.77	W 6 DC	0,8
	09.72-08.74 USA	W 7 DC	0,8
	09.74-09.76 USA	W 6 DC	0,7
280 (Typ 114) D-Jetronic	06.72-01.77	W 6 DC	0,8
280 (Typ 114) D-Jetronic	09.72-07.76	W 6 DC	0,8
	09.72-07.76 NV	W 7 DC	0,8
280 (Typ 116) K-Jetronic	08.76--	W 7 DC	0,8
	08.76--	USA	0,8
280 (Typ 116) USA	08.74-08.76	W 8 DC	0,8
	01.76--	W 7 DC	0,8
280 (Typ 116) 160 PS	08.74-12.75	W 7 DC	0,8
280 (Typ 123)	08.76--	USA	0,8
	08.76--	USA	0,8
280 (Typ 126)	12.75--	W 7 DC	0,8
280 SL (Typ 113)	01.68-03.71	W 5 DC	0,7
280 SL SLC (Typ 107) D-Jetronic	08.74-09.76	W 6 DC	0,8
	09.74-09.76 NV	W 7 DC	0,8
280 SL SLC (Typ 107) K-Jetronic	06.76--	W 7 DC	0,8
300 (Typ 109) Mot. 130	01.68-08.72	W 5 DC	0,7
300 (Typ 109) 3,5 Ltr.	01.70-01.72	W 6 DC	0,8
300 (Typ 109) 4,5 Ltr.	09.71-08.72 USA	W 7 DC	0,8
300 (Typ 109) 5,3 Ltr.	08.68-08.72	W 7 DC	0,8
300 (Typ 116) D-Jetronic	08.72-09.76	W 6 DC	0,8
	08.72-02.76 NV	W 7 DC	0,8
300 (Typ 116) K-Jetronic	03.76--	W 7 DC	0,8
300 SL SLC (Typ 107) D-Jetronic	05.71-02.76	W 5 DC	0,7
	05.71-02.76 XIP	W 6 DC	0,8
	09.71-09.76	W 7 DC	0,8
300 SL SLC (Typ 107) K-Jetronic	03.76--	W 7 DC	0,8
380 (Typ 126)	12.79--	W 7 DC	0,8
	08.76--	USA	0,8
380 SL SLC (Typ 107)	07.80--	W 7 DC	0,8
	09.80--	USA	0,8
450 (Typ 116) D-Jetronic	01.73-11.75	W 6 DC	0,8
	01.73-11.75 NV	W 7 DC	0,8
	09.72-08.74 USA	W 7 DC	0,8
	09.74-09.75 USA	W 6 DC	0,7
450 (Typ 116) K-Jetronic	12.75--	W 7 DC	0,8
	09.75--	USA	0,8
450 (Typ 116) 6,9 Ltr.	09.75--	W 7 DC	0,8
	09.76--	USA	0,8
450 SL SLC (Typ 107) D-Jetronic	01.73-11.75	W 6 DC	0,8
	01.73-11.75 NV	W 7 DC	0,8
	09.71-08.74 USA	W 7 DC	0,8
	09.74-09.75 USA	W 6 DC	0,7
450 SL SLC (Typ 107) K-Jetronic	12.75--	W 7 DC	0,8
	09.75--	USA	0,8
450 SLC 5.0 (Typ 107)	09.76-02.80	W 7 DC	0,8
500 (Typ 126)	12.79--	W 7 DC	0,8
500 SL SLC (Typ 107)	03.80--	W 7 DC	0,8
600 (Typ 100)	09.64--	W 7 DC	0,8
	09.64-08.72 USA	W 7 DC	0,6

Quelle: Bosch 1981/1982

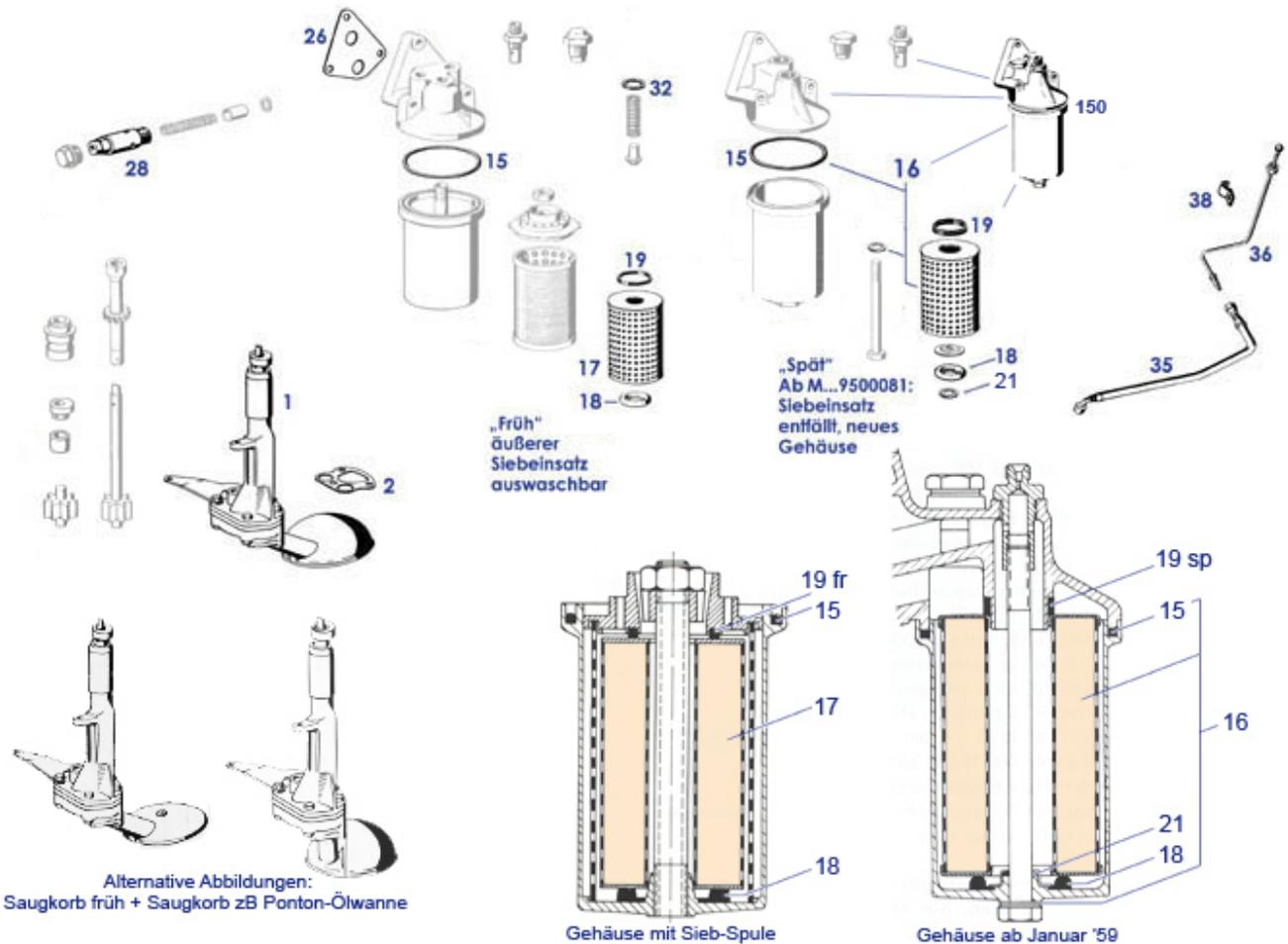
Quelle: NGK 2006

170 S	(0170)	1.7 20	05.1940-10.1956	M 136.922	4	0,6	BP8H
170 SV	(130)	1.7 33	1953- 1955		4	0,6	BP8H
170 V	(130)	1.7 28	1947- 1950		4	0,6	BAL
170 V	(0170)	1.7 33	06.1946-05.1962	M 136.920	4	0,6	BP8H
180	(120)	1.8 48	01.1953- 1962	M 121 B V 121.923	4	0,6	BP8H
180	(0120)	1.8 48	07.1953-12.1962	M 136.925	4	0,6	BP8H
190	(121)	1.9 55	1959- 1960	M 121.921 B1 Vedette 8.5	4	0,7	BP7ES
190	(121)	1.9 55	1953- 1962	M 121 B V 121.923	4	0,6	BP8H
190 E	(201)	2.0 90	10.1952-08.1965	M 102.901/902	4	0,8	BP7ES
190 SL	(121)	1.9 77	01.1955- 1962	M 121.921	4	0,8	BP7ES
190 SL	(121)	1.9 55	1953- 1962	M 121.921	4	0,8	BP7ES
200	(118)	2.0 70	08.1945-12.1967		4	0,8	BP7ES
200	(123)	2.0 82	02.1976-08.1980	M 115.938/939	4	0,7	BP7ES
200	(123)	2.0 74	06.1980-11.1985	M 102.920/929	4	0,8	BP7ES
200 (R)	(113)	2.0 63	01.1963-01.1971	M 115.929/926	4	0,6	BP7ES
200 „Jackhammer“	(118)	2.0 70	07.1965-02.1968		4	0,8	BP7ES
210	(105)	2.2 83	1955- 1959	180.921	4	0,7	BP7EX
220 (R)	(113)	2.2 66	01.1968-01.1973	M 115.920/924	4	0,7	BP7ES
220 a	(88)	2.2 83	01.1954-12.1956	M 180.921	4	0,6	BP8H
220 b	(111)	2.2 70	08.1959-08.1965	180.940	6	0,7	BP7ES
220 SE	(129)	2.2 88	1959- 1965	127.982	4	0,7	BP7ES
220 SB	(111)	2.2 81	08.1959-08.1965	180.949/941	6	0,7	BP7ES
220 SE	(129)	2.2 85	01.1958-08.1960	M 127.980	6	0,6	BP7EX
220 SEB	(111)	2.2 86	1959- 1965	127.982	6	0,6	BP7ES
220 SEB Coupe	(111)	2.2 88	1961- 1965	127.982	6	0,6	BP7ES
220 SEB Cabrio	(111)	2.2 88	1961- 1965	127.982	6	0,6	BP7ES
230	(119)	2.3 88	01.1958-01.1960	M 180	4	0,8	BP7ES
230	(119)	2.3 87	08.1965- 1966		4	0,6	BP7ES
230	(123)	2.3 80	02.1976-03.1981	M 115.954	4	0,7	BP7ES
230 ECCE	(123)	2.3 100	04.1980-12.1985	M 102.980	4	0,8	BP7ES
230 E	(123)	2.3 80	04.1980-12.1985	M 102.980	4	0,8	BP7ES
230 G	(463)	2.3 66	03.1979-07.1983	M 115.973	4	0,7	BP7ES
230 GE	(463)	2.3 82	04.1982-08.1992	M 102.981	4	0,8	BP7ES
230 S	(111)	2.3 86	08.1965-05.1966	180.947/950	6	0,8	BP7ES
230 SL „Papier“	(113)	2.3 110	01.1963-01.1965	M 127.981	4	0,8	BP7ES
230 L (R)	(113)	2.3 81	08.1973-12.1974	M 115.951	4	0,7	BP7ES
230 L (R)	(114)	2.3 88	01.1968-11.1970	M 180.954/955	6	0,8	BP7ES
250	(146)	2.5 96	1967- 1970	M 114	4	0,8	BP7ES
250	(123)	2.5 95	02.1976-07.1985	M 123.920/921	4	0,7	BP7ES
250 (R)	(114)	2.5 96	06.1972-11.1976	M 130.923/923	6	0,7	BP7ES
250 (R)	(114)	2.5 96	01.1968-01.1971	M 114.920/923	6	0,7	BP7ES
250 (R) (W114)	(114)	2.5 96	06.1972-11.1976	M 130.923	6	0,7	BP7ES
250 C	(114)	2.5 96	1968- 1973	M 114.920	6	0,8	BP7ES
250 CE	(114)	2.5 110	1968- 1972	M 114.930	6	0,6	BP7EX
250 S	(109)	2.5 96	08.1965- 1969	M 129.980	6	0,6	BP7EX
250 SE	(109)	2.5 110	08.1965- 1968	M 129.980	6	0,6	BP7EX
250 SE	(111)	2.5 110	08.1965- 1967	M 129.980/981	6	0,6	BP7EX
250 SL	(113)	2.5 100	01.1966-08.1968	M 129.982	6	0,6	BP7ES
250 SL „Papier“	(113)	2.5 110	02.1976-08.1980	M 110.923	6	0,7	BP7ES
280	(123)	2.8 115	02.1976-08.1980	M 110.923	6	0,7	BP7ES
280 (R)	(114)	2.8 118	06.1972-11.1976	M 110.921/921	6	0,7	BP7ES
280 C (W114)	(114)	2.8 118	06.1972-02.1977	M 110.921	6	0,7	BP7ES
280 SE (R) (W114)	(114)	2.8 136	06.1972-09.1977	M 110.981	6	0,7	BP7ES
280 E	(123)	2.8 130	02.1976-11.1985	M 110.984/988	6	0,7	BP7ES
280 E (R)	(114)	2.8 136	06.1972-11.1976	M 110.981/991	6	0,7	BP7ES
280 S	(109)	2.8 105	10.1967-01.1972	M 102.920/921	6	0,8	BP7ES
280 S	(118)	2.8 115	01.1976-12.1979	M 110.922	6	0,7	BP7ES
280 S	(126)	2.8 115	12.1979-07.1985	M 110.924/926	6	0,7	BP7ES
280 SE (W111)	(111)	2.8 147	01.1969-02.1971	M 116.980	6	0,6	BP7ES
280 SE	(111)	2.8 118	01.1968- 1971	M 130.980	6	0,8	BP7ES
280 SESEL	(108)	2.8 118	01.1968-08.1972	M 130.980/924	6	0,8	BP7ES
280 SESEL	(118)	2.8 130	08.1976-07.1980	M 110.985	6	0,7	BP7ES
280 SESEL	(118)	2.8 136	08.1972-02.1980	M 110.983	6	0,7	BP7ES
280 SESEL	(126)	2.8 136	10.1979-07.1985	M 110.987/989	6	0,7	BP7ES
280 SESEL 3.5	(108)	3.5 147	01.1968-08.1972	M 116.980/990	6	0,8	BP7ES
280 SL	(107)	2.8 130	06.1970-01.1980	M 110.982/980	6	0,7	BP7ES
280 SL „Papier“	(113)	2.8 125	01.1968-03.1971	M 130.983	6	0,8	BP7ES
280 SL	(107)	2.8 130	06.1976-09.1981	M 110.982/986	6	0,7	BP7ES
300 D Admaner	(186)	3.0 119	04.1951- 1962		6	0,6	BP8H
300 E	(124)	3.0 130	01.1965-08.1965	M 103.980	6	0,8	BP7ES
300 SE	(112)	3.0 118	09.1961- 1965	188.984/985	6	0,8	BP7ES
300 SE Coupe	(109)	3.0 125	08.1965- 1967		6	0,6	BP7EX
300 SESEL	(109)	3.0 125	08.1965- 1967		6	0,6	BP7EX
300 SEL	(109)	3.0 125	1967- 1970	M 130	6	0,6	BP7EX
300 SEL	(109)	3.5 147	01.1970-07.1972	M 116.981	6	0,7	BP7ES
300 SEL 3.0	(108)	3.5 118	03.1971-06.1972	M 130.981	6	0,8	BP7ES
300 SEL 6.3	(108)	6.3 164	03.1968-08.1972	M 100.981	6	0,7	BP7ES
300 SL Coupe (Flügelhaar)	(186)	3.0 150	1954- 1957		6	0,8	BP7ES
300 SL Roadster	(196)	3.0 150	03.1957-02.1960	188.980	6	0,8	BP7ES
300	(108)	3.0 82	01.1976-08.1980	M 115.955/972	4	0,7	BP7ES
350 SESEL	(118)	3.5 143	03.1976-03.1980	M 116.985	6	0,7	BP7ES
350 SESEL	(118)	3.5 147	08.1972-02.1976	M 116.983	6	0,7	BP7ES
350 SL	(107)	3.5 144	03.1976-02.1980	M 116.982/984	6	0,7	BP7ES
380	(126)	3.8 150	12.1978-08.1985	M 116.981/983	6	0,7	BP7ES
380 SL	(107)	3.8 160	07.1980-08.1985	M 116.980/982	6	0,7	BP7ES
400	(126)	4.0 180	01.1975-08.1982	M 115...	4	0,7	BP7ES
450 SESEL	(118)	4.5 161	12.1975-04.1980	M 117.985	6	0,7	BP7ES
450 SESEL	(118)	4.5 161	08.1972-07.1980	M 117.983	6	0,7	BP7ES
450 SL	(107)	4.5 161	08.1975-10.1980	M 117.982/985	6	0,7	BP7ES
450 SLC	(107)	4.5 161	08.1975-10.1980	M 117.982/985	6	0,7	BP7ES
450 SLC 5.0	(107)	5.0 177	06.1978-02.1980	M 117.980	6	0,7	BP7ES
500 SLC	(107)	5.0 177	03.1980-09.1981	M 117.980	6	0,7	BP7ES
600	(106)	6.0 184	09.1954-01.1979	M 100.980	6	0,7	BP7ES

The tablet shows parts of the manufacture references. An evasion

18 Lubrication (Engine)

18 Lubrication (Engine)



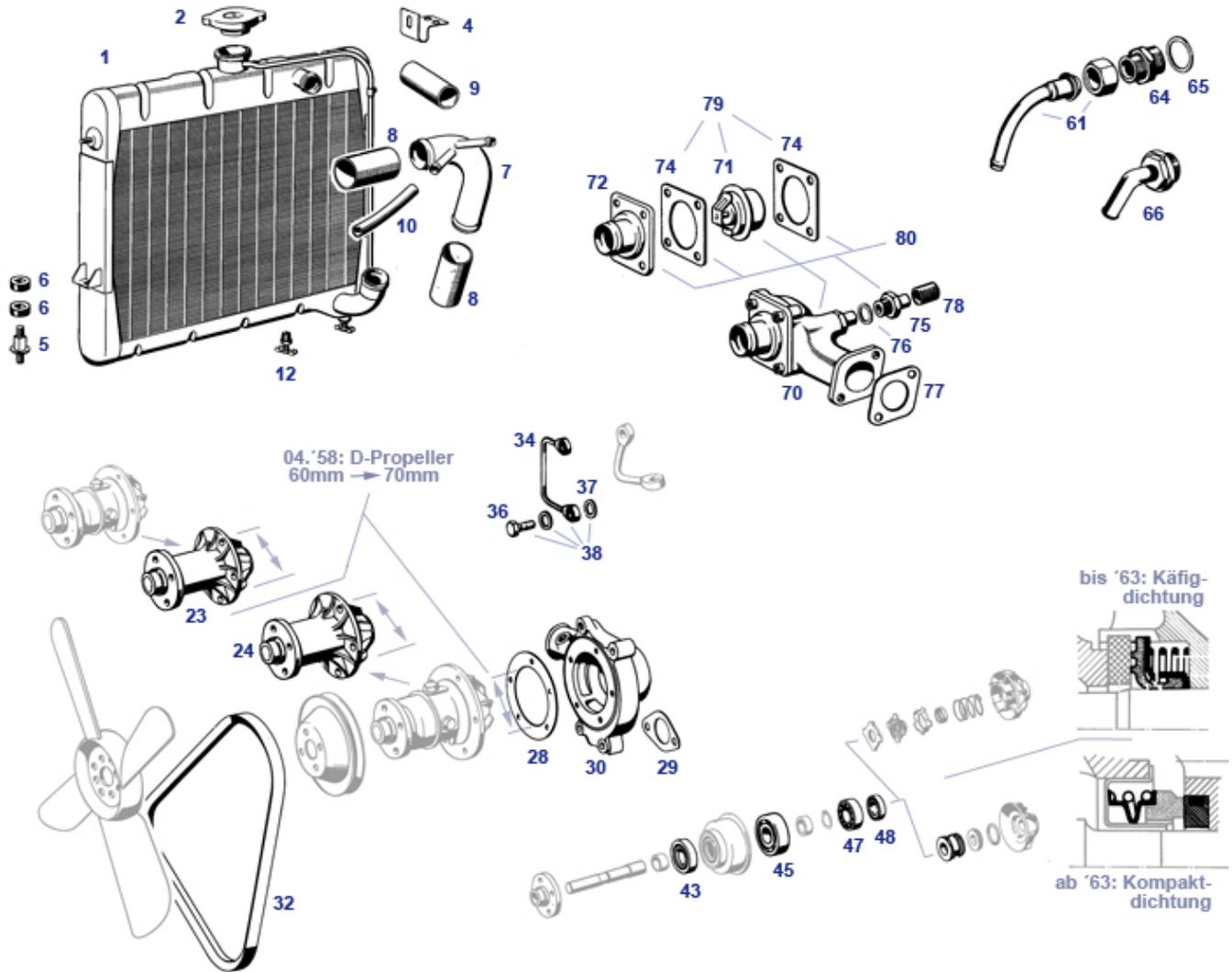
Filter image on the left: early version, on the vehicle recognizable on the steel plate pot.

	A1801500107 Distributor drive bushing	105039	136,85 €		Plug screw M24 e.g. pressure valve	218816	29,75 €
	hex socket head cap screw M8 X 75	118013	1,50 €		InHex bolt 12.9, M8x30, sump, ...	118018	2,05 €
	Oil strainer->59	118041	148,51 €	1	Oil pump, fits 190SL, FEBI, late snorkel required	118806	681,99 €
2	Gasket,oil pump housing	118005	14,28 €	11	A0001849701 Oilfilter w, hsg. M021750->	118050	327,25 €
12	Housing for Oilfilter (lower part, flat bottom)	118070	248,70 €	15	Ring, sealing, filter/housing	118009	1,24 €
16	Oil filter 190 SL, 230-280 SL; No Name	118842	4,99 €	16	Oil filter incl. gasket, 1959-> "MANN"	118042	10,59 €
17	Oil filter ->12.'58 "Micronic"	118040	11,42 €	18	Ring, pressure, in hsg., lower	118045	5,57 €
19sp	Ring, filter housg, upper	118043	2,48 €	19fr	Rubber ring, oil filter upper	118044	5,32 €
21	Seal ring, housing bolt	118046	1,43 €	26	Gasket, upr.filter hsg./engine	118008	1,69 €
32	Seal ring 18x22 Al	109019	0,94 €	35	Hose,eng.to gauge-pipe,late M10-M8 445m	154059	49,40 €
36	Oil pipe RHD ->59 M10	154062	128,92 €	36	Oil pipe LHD ->59 M10	154064	77,98 €
36	Oil pipe LHD 59-> M8	154065	85,09 €	36	Oil pipe RHD 59-> M8	154066	121,39 €
38	Clamp 5mm e.g. brake lines	143038	0,50 €	150	complete oil filter assy, reconditioned	118150	438,99 €

20, 50 Cooling System

20,50,83 Engine Cooling

20,50,83 Engine Cooling



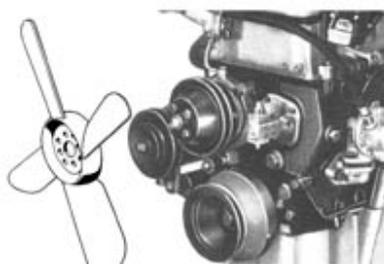
The situation permits the mounting of different pump insert units (for example 3-hole, pontoon), more information on page 20.a "Water pumps". Used radiator can be worked up with new cooler net, if all outer housing parts are present and not too much damaged.

	coolant hose 38/50, 1m, Continental	150205	61,24 €		A1212050010 Pulley for fan at pump	120000	368,90 €
	coolant hose 32/44, 1m, Continental	150204	55,70 €		Clamp, water pipe	183104	14,35 €
	union nut M26, fits 120830	120831	10,82 €		Water pump, L=75mm, 3-hole, non service	420019	100,15 €
1	Radiator 190SL, please order 550016 also	150700	1.299,00 €	1	Mesh, radiator repair	150220	349,99 €
1	Radiator 190SL	150800	1.933,50 €	2	cap for coolant reservoir, code 100, Mahle	150917	48,46 €
2	Cap, cooling liquid "ID 100", W121&113	150017	29,75 €	4	Plate, radiator clamp downhold	150023	8,12 €
4	Leaf spring, 190SL radiator mount upper	150022	37,35 €	5	Mounting bolt	150008	13,27 €
5	Mounting bolt	150708	13,49 €	6	Rubber spacer at radiator mount	150803	4,09 €
7	Distributor pipe 190SL LHD, Repro	150001	89,19 €	7	Distributor pipe 190SL RHD	150002	109,68 €
8	1m waterhose 38x46mm	150805	20,83 €	8	1m waterhose I.D. 38 mm	150105	25,47 €
9	1m waterhose 32x44mm	150104	15,35 €	9	product replaced: Lock / winding clip for 9mm strap	109035	2,09 €
9	1m waterhose 32x44mm	150804	20,83 €	9	1m metal strip, 9mm clamp	109030	4,00 €
12	A0005010065 Drain valve @ radiator lowe	150018	190,00 €	23	Waterpump afm. ->58	120017	73,90 €

24	Water pump late (58->) aftermarket	120018	78,90 €	27	M8x15-933 hex head bolt	142912	0,56 €
28	Water Pump to Hsg. gasket	120709	1,59 €	28	Water Pump to Hsg. gasket	120009	1,02 €
28	Screw M6 e.g. Bonnet hinges	299289	0,38 €	29	Gasket, housing to engine	120014	1,25 €
30	Pump housg.180-190SL->58 (small)	120105	632,83 €	30	NOS Pump housg, fits late propeller	120104	322,00 €
32	Fan Belt 10 x 825	120100	4,20 €	32	Fan belt 10 x 850, 190SL RHD, 220SE	120101	8,79 €
34	Breather line 8501223>	120041	49,99 €	36	Hollow screw, air venting	220010	2,48 €
37	Sealing ring ID8, eg. for hollow screw	220011	0,10 €	43	Seal ring	120027	4,46 €
45	Water pump front bearing	120025	5,50 €	47	Water pump rear bearing	120022	5,13 €
48	Seal ring	120021	14,99 €	52	Seal ring w.spring, oem pump	120003	5,41 €
61	Pipe elbow @ cylinder head, >8501757	120030	66,46 €	61	Pipe elbow @ cylinder head, >8501757	120830	36,06 €
64	Threaded fitting, head->elbow	120038	64,00 €	65	sealing ring copper 32	120033	1,31 €
66	A1802000419 Pipe elbow @ cylinder head	120031	122,51 €	66	Pipe elbow @ cylinder head 928	120032	106,60 €
70	Thermostat housing complete, Repro	120010	277,98 €	70	Housing, thermostat, Repro	120810	215,99 €
71	Thermostat 79° Celsius	120012	17,59 €	72	Cover, thermostate housing	120814	39,50 €
72	Bolt M6 x 12 in-hex	299043	0,36 €	72	Bolt 6x16 e.g. pan, in-hex	701319	0,48 €
72	washer M6, yellow zined	299125	0,21 €	74	Rubberseal, thermostat housing (2 req)	120713	2,32 €
74	Seal, thermostat housing (2 req)	120813	5,60 €	75	Threaded fitting @ thermostat housing	120016	26,79 €
76	Seal ring 16x20, Alu, e.g. hollow bolts	214078	0,99 €	77	Gasket, thermostate	120011	1,32 €
78	1m cooling water hose 12/19mm	250823	7,14 €	78	Hose clamp 23-31mm, worm thread style	750042	1,09 €

20.a Info Water Pump

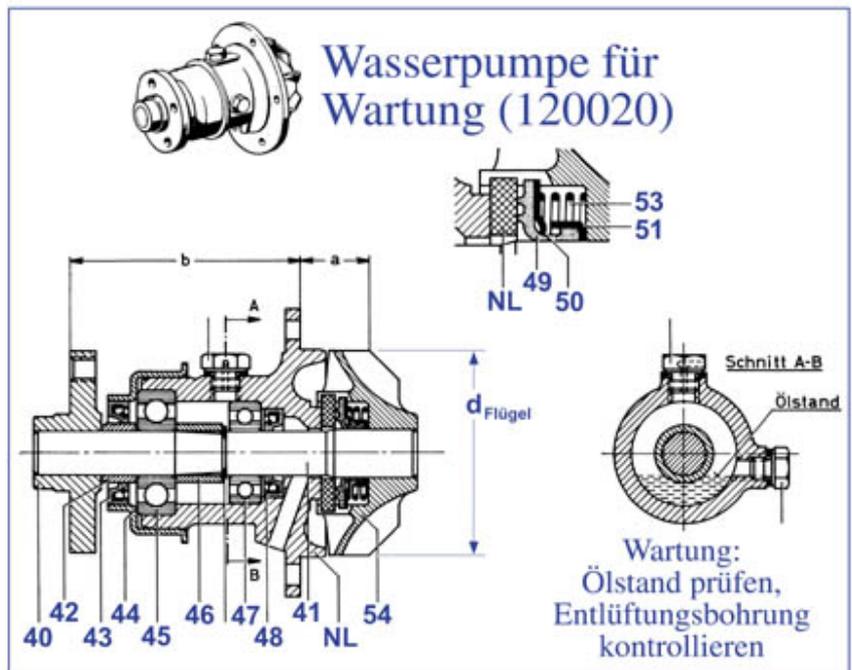
20.a Info Water Pump



190SL (hier M121.921)
4-Loch Nabe
für Riemenscheibe



Auch verwendbar:
"Wartungsfreie" Pumpen



Pumpen für 4-Loch Riemenscheibe:

Artikel

120017	->58, wartungsfrei Ersatz
120018	58->, wartungsfrei Ersatz
120020	58->, zerlegbar, original

Pumpen für andere Fzg. auf Anfrage

(z.B. 3-Loch-Nabe. Bitte Länge angeben)

"->58" =bis Motor M121.921 8501222 (Mai '58)
Wasserpumpe mit 60mm Flügelrad $d_{\text{Flügel}}$

"58->" =ab Motor M121.921 8501223 (Mai '58)
Flügelrad auf knapp 70mm vergrößert.
Betrifft außerdem Pumpengehäuse.

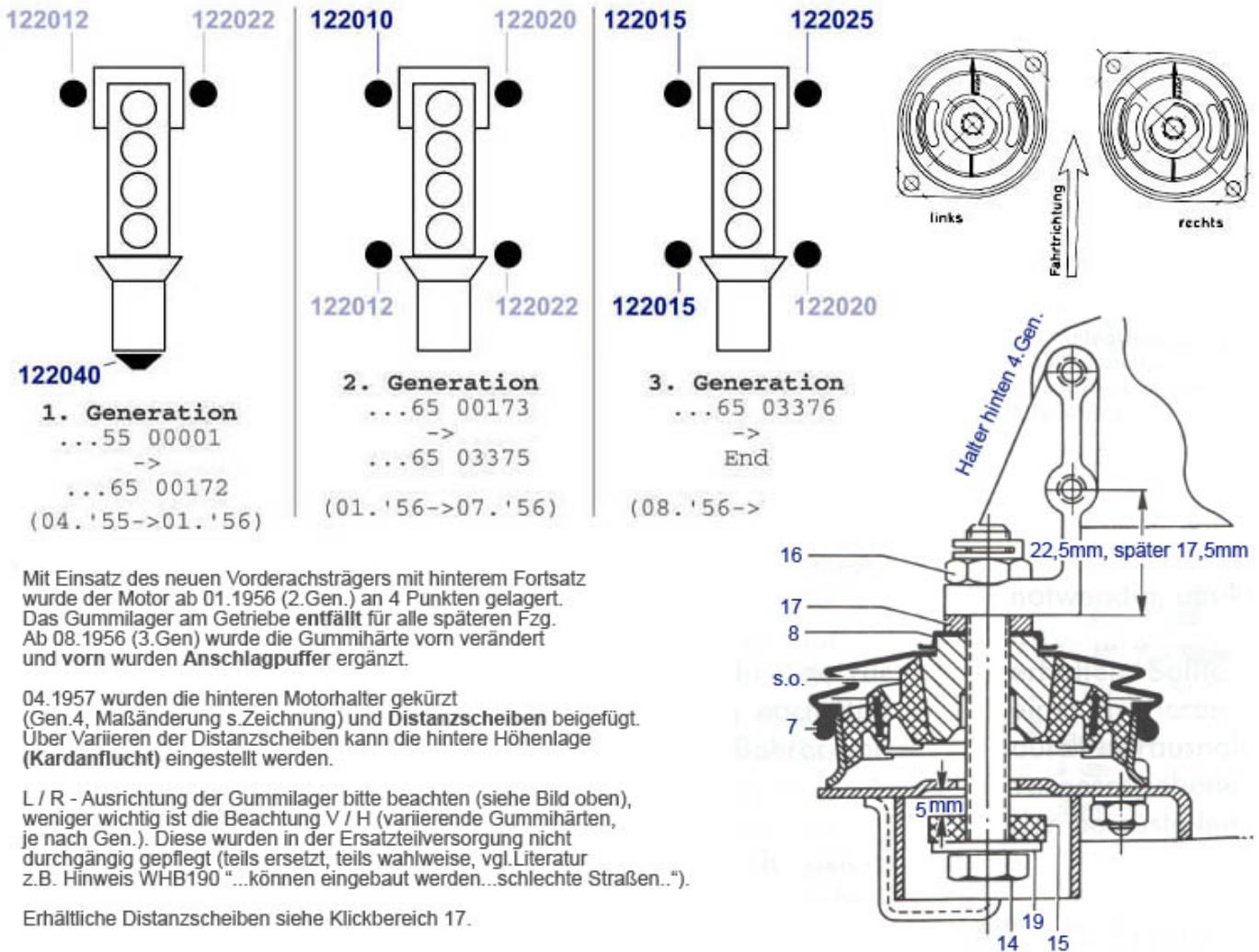
Achtung, viele Fahrzeuge sind modifiziert:
Wasserpumpen mit 3-Loch-Riemenscheiben ziehen
Änderungen nach sich. (Baulänge, Lüfterrad...)

diverse	Water pump, 3 hole, maintenance-free	420020	103,59 €	diverse	Water pump, L=75mm, 3-hole, non service	220020	99,96 €
diverse	Water pump, L=75mm, 3-hole, non service	420019	100,15 €	43	Seal ring	120027	4,46 €
45	Water pump front bearing	120025	5,50 €	47	Water pump rear bearing	120022	5,13 €
48	Seal ring	120021	14,99 €	50	Slip ring cage	120005	19,86 €
120017	Waterpump aftm. ->58	120017	73,90 €	120018	Water pump late (58->) aftermarket	120018	78,90 €

22, 25 Engine Mount, Clutch

22.b Info Engine Mounts

22.b Info Engine Mounts



Mit Einsatz des neuen Vorderachsträgers mit hinterem Fortsatz wurde der Motor ab 01.1956 (2.Gen.) an 4 Punkten gelagert. Das Gummilager am Getriebe entfällt für alle späteren Fzg. Ab 08.1956 (3.Gen) wurde die Gummihärte vorn verändert und vorn wurden Anschlagpuffer ergänzt.

04.1957 wurden die hinteren Motorhalter gekürzt (Gen.4, Maßänderung s.Zeichnung) und Distanzscheiben beigefügt. Über Variieren der Distanzscheiben kann die hintere Höhenlage (Kardanflucht) eingestellt werden.

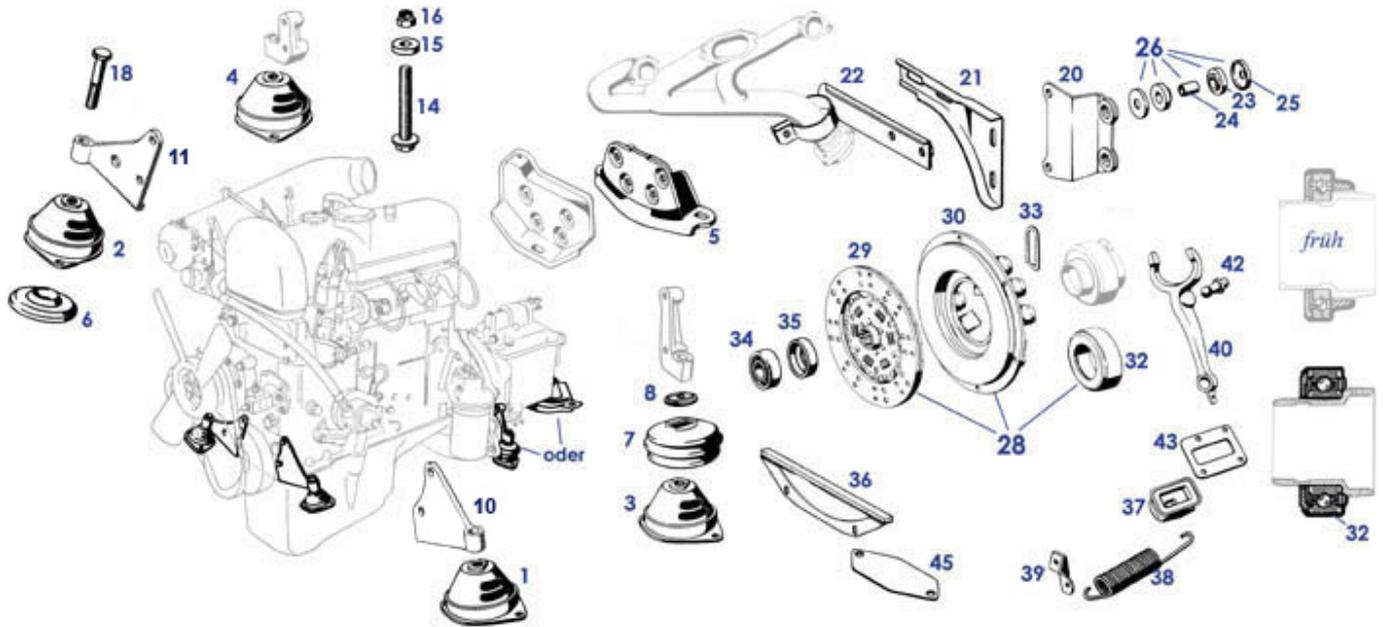
L / R - Ausrichtung der Gummilager bitte beachten (siehe Bild oben), weniger wichtig ist die Beachtung V / H (variiere Gummihärten, je nach Gen.). Diese wurden in der Ersatzteilversorgung nicht durchgängig gepflegt (teils ersetzt, teils wahlweise, vgl.Literatur z.B. Hinweis WHB190 "...können eingebaut werden...schlechte Straßen..").

Erhältliche Distanzscheiben siehe Klickbereich 17.

7	Schraube M12x90, ersetzt 122037 Bellows, rear eng.mount	922037 122830	3,61 € 10,13 €	14	Motor mount, late 190SL, Rt.	122925	79,99 €
14	Screw, rear eng.mount 750071-> (L100)	122038	27,73 €	15	Bolt, 190SL '56->'57, 6-Zyl- Pontoon,L90	122037	11,69 €
16	Nut e.g. Eng.mount M12/SW17 Copper	122041	2,39 €	17	Rubber shim 5mm eng support buffer	122039	2,08 €
17	Shim,1 mm, rr.eng.mounts,if required	222023	3,49 €	122015	Steel distance washer 5mm, e.g.rr eng	222022	10,88 €
122020	Motor mount, late 190SL, Rt.	122825	62,59 €	122015	Motor mount 190SL Lt./late , R113 rear	122815	60,10 €
				122040	Transmission mount, ->6500172	122040	109,41 €

22.a Engine Mount, Clutch

22.a Engine Mount, Clutch

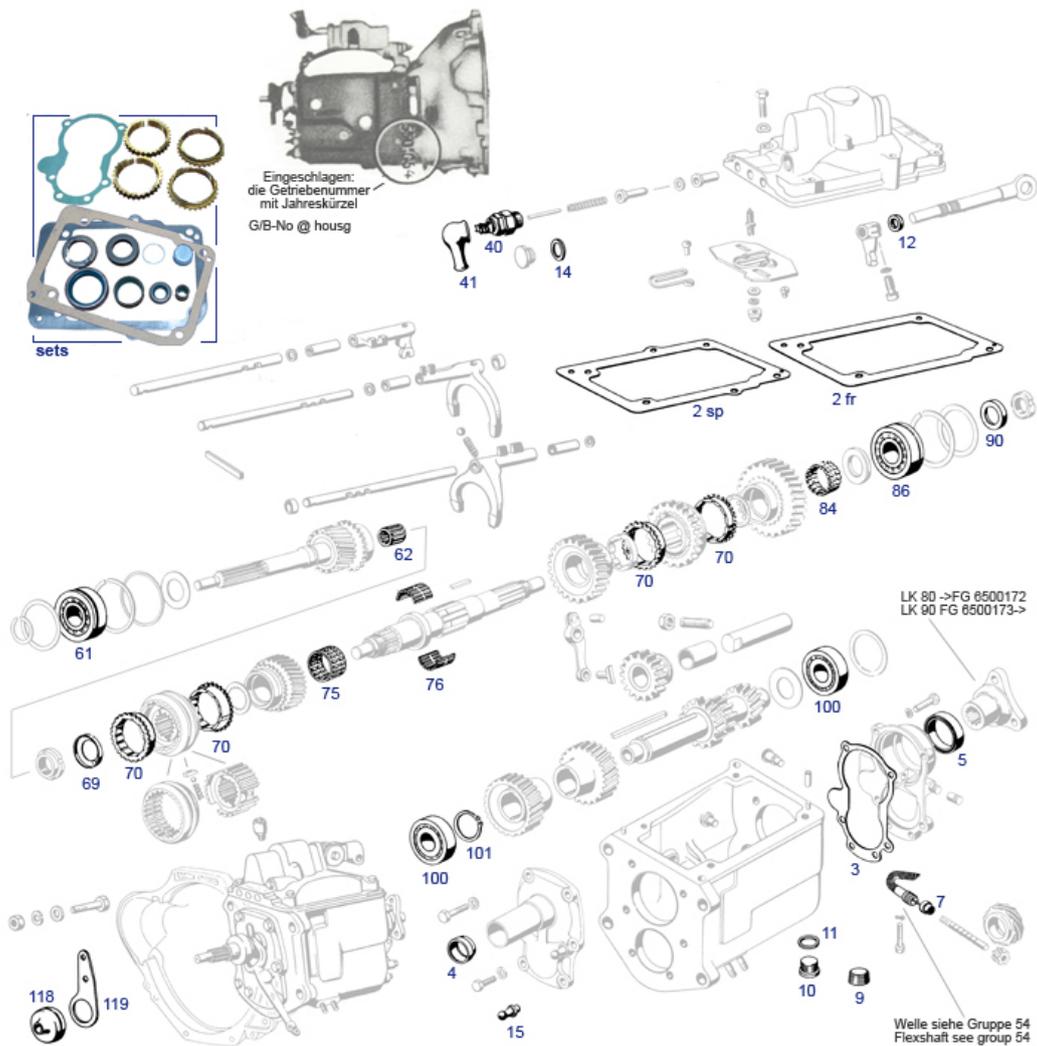


release bearing: In the "maintenance years", release bearings with different sleeve bodies were available at a favorable price. Without dismantling recommendation or availability of bearing rings can not be named. The comparison of the used sleeve body with the graphics can save money and avoid lost time by missing purchase. engine bearings: For explanatory details on the generations, see the following drawing board 22.b

	M12 DIN 127 lock washer	233042	0,39 €		Screw engine mount rear	222025	0,80 €
	Bolt 57mm, rebound eng mount ftr lower	222006	25,73 €		Locking ring M10	299328	0,38 €
	Waved spring washer M8	799911	0,18 €		Bolt M8 x 16 zincd	799947	1,02 €
	Motor mount, late 190SL, Rt.	122925	79,99 €	1	Motor mount 190SL Lt./late , R113 rear	122815	60,10 €
1	Engine mount 190SL left, R113 rear OE	122915	79,99 €	2	Motor mount, late 190SL, Rt.	122825	62,59 €
5	Transmission mount, ->6500172	122040	109,41 €	5	Nut, M10, exh manifold	114008	1,25 €
5	Washer rr brake, betw.spring and shoes	142909	3,15 €	5	galvanized Spring washer M8	233059	0,21 €
6	Buffer shim, ftr eng mounts	122004	7,95 €	7	Bellows, rear eng.mount	122830	10,13 €
8	Plate, bellows @ engine mount	122035	10,57 €	10	Engine support, front Lt.	122003	62,80 €
11	Engine support, ftr Rt early	122001	79,33 €	14	Bolt, 190SL '56->'57, 6-Zyl-Pontoon,L90	122037	11,69 €
14	Screw, rear eng.mount 750071->(L100)	122038	27,73 €	15	Rubber shim 5mm eng support buffer	122039	2,08 €
16	Nut e.g. Eng.mount M12/SW17 Copper	122041	2,39 €	18	Screw engine mount M12 x 45	122009	0,82 €
20	Mounting bracket for exhaust	149047	165,40 €	21	Exhaust support bracket, late LHD	114016	59,63 €
22	Exhaust manifold clamp from 6503210	114050	113,84 €	23	Rubber shim at exh. bracket	114002	3,83 €
24	Bushing, e.g. support manifold bracket	114803	4,33 €	24	Bolt M8 x 40	149059	1,14 €
25	Retainer at exh. bracket	114001	6,55 €	29	Clutch disc	125010	164,99 €
30	Clutch pressure plate assembly	125700	265,47 €	32	T/O bearing 4-Cyl, fits '58-'65 -sleeve	125002	37,98 €
32	Release bearing fits sleeve '65-'68	225807	88,95 €	32	T/O Cluch bearg. with body, 4-Cyl/FN	325003	142,99 €
33	Spring clamp	125013	19,85 €	34	Pilot bearing	103093	3,83 €
35	Cover, pilot bearing	103094	1,81 €	36	Cover plate	125056	41,59 €
37	Dust boot, rubber, @ clutch lever	125005	5,94 €	38	Clutch release spring 56->	129080	13,39 €
39	Bracket for spring, LHD from 6501693	129081	13,20 €	40	Throw out lever 190SL, no used part req	125081	416,89 €
40	Throw out lever,exch., used part req.!	125080	156,29 €	43	Seal holder, c.r.m.	225010	11,84 €
45	Cover plate, clutch bell housing	125054	11,29 €	45	Cover, 1956	125053	11,70 €

26 Gearbox

26 Gearbox

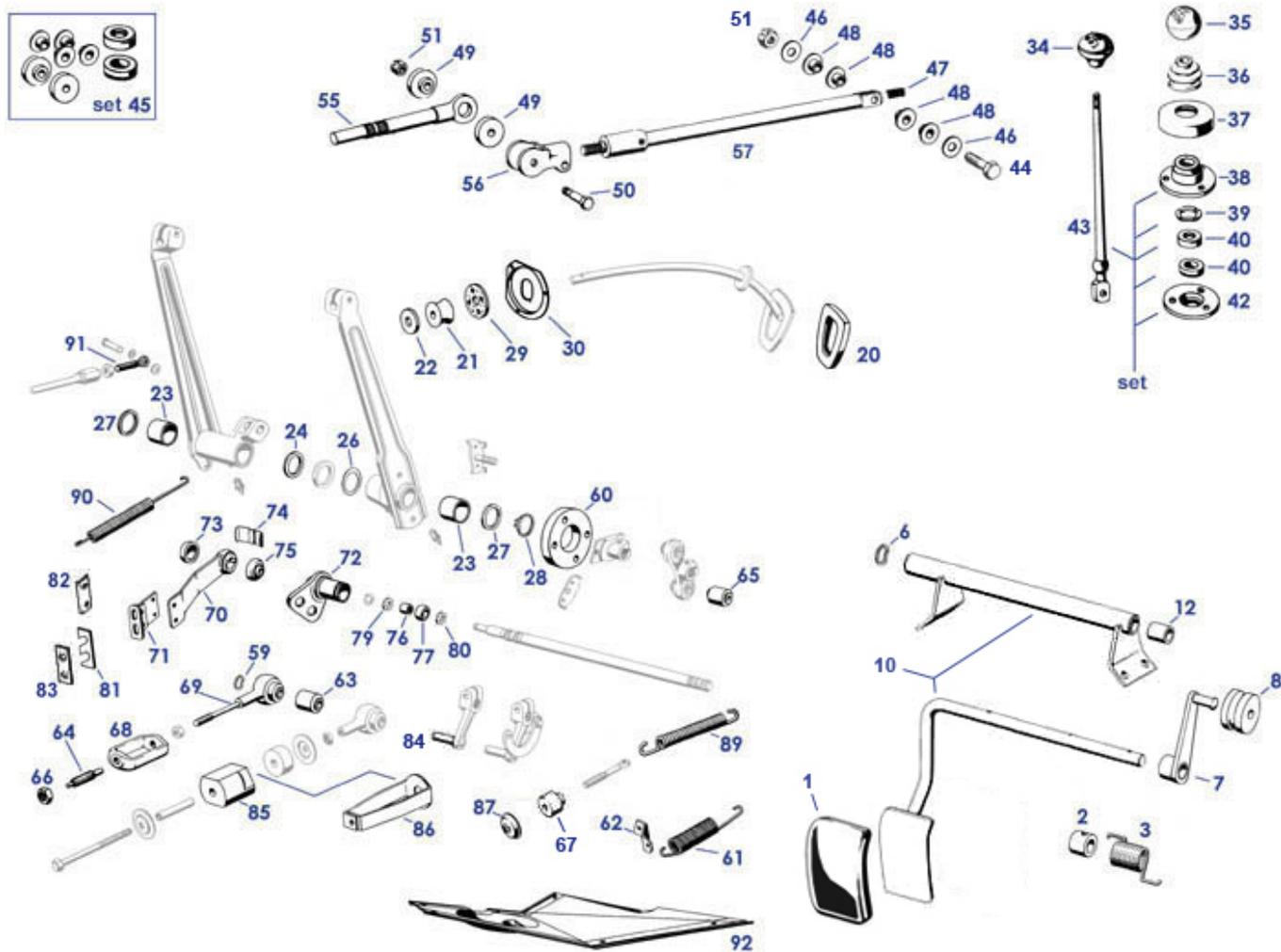


Gear ratio (gear pair) and shafts were changed during the construction period, synchronizer replaced in changed versions. The offered synchronizer rings correspond to the last version, please check compatibility before installation.

sets	gear bearing set, 8pcs.	226860	809,20 €		Synchronizing ring, per piece	226750	89,90 €
2fr	Trans. top cover gasket >025117	126718	4,11 €	2sp	Trans. top cover gasket 025118	126015	7,60 €
2fr	Trans. top cover gasket >025117	126018	4,70 €	3	Gasket @ transmission rear case	126035	3,05 €
4	Seal ring e.g. gear driveshaft IN, OD=3	126042	4,25 €	5	Seal @ transmission	126030	7,31 €
7	Seal ring speedo/rev drive	126039	4,88 €	9	Plug screw M24 conical, no collar	114025	8,98 €
10	Plug screw with collar, M24	226046	1,61 €	11	Seal Ring gear box drain plug	226047	0,44 €
12	Seal ring gear link / housg-top	226012	3,68 €	14	Seal ring 18x22 Al	109019	0,94 €
41	Rubber cap, starter wire, small	754026	6,14 €	62	Roller cage bearing, copper version	226056	59,45 €
69	Lock washer,nut, main sht. fr.	226054	3,25 €	70	Synchronring	226850	64,38 €
70	Synchronizing ring, per piece, Repro, nose-width 10mm	226050	26,18 €	75	Needle bearing, 3rd gear,23	226057	171,35 €
76	needle bearing set, main shaft	226058	255,28 €	79	Flange 80mm, ref. Nr.: A1802620645	126008	475,00 €
84	needle bearing main shaft for 1st gear	226061	235,00 €	86	Ball bearing, main shaft	226959	82,38 €
90	Lock for 3 way flange	126871	4,33 €	100	ball bearing countershafts, 25x62x17	226076	52,18 €
118	Rubber grommet 11/30, bulkh(190),107,..	299017	1,59 €	118	Rubber grommet 11/30, blue silicon rubber	299517	1,59 €

29 Gearshift and Pedals LHD

29 Gearshift and Pedals LHD

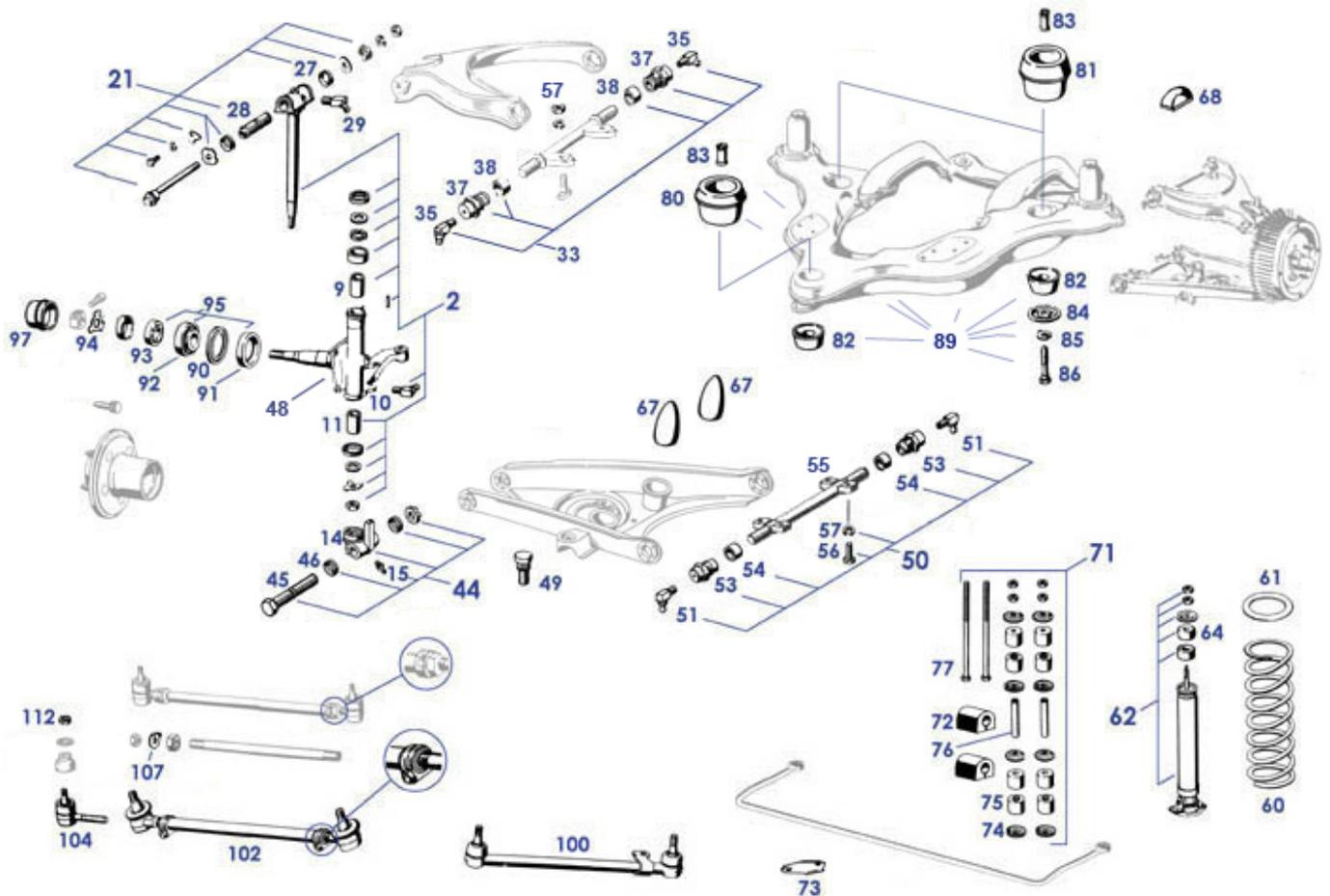


set	Set shift lever with support	126025	311,23 €		Dampening rubber for pull rod	130200	11,75 €
1	Accellerator pedal pad, rubber + foam	129010	17,65 €	3	Gas pedal torsion spring	130020	47,66 €
3	Coil spring, acc.pedal return	130021	37,96 €	6	Spring washer	130044	0,92 €
7	Acc. pedal lever LHD	130030	191,53 €	8	Buffer ring, acc linkage (60°SH)	230800	6,39 €
8	Dampening rubber for pull rod 45 SHORE A	130800	6,39 €	10	accelerator pedal, without bushing and rubber, ref-No.	130004	249,00 €
12	Carb control shaft bushing	130045	8,45 €	20	brake pedal pad, cushioned	429008	24,86 €
20	Brake or clutch pedal pads	129008	4,05 €	21	Damping / sealing shim, pedal shaft	129025	6,60 €
22	Shim,1 mm, rr.eng.mounts,if required	222023	3,49 €	23	Bushing, pedal shaft	129026	44,99 €
23	Bushing, pedal shaft	129826	46,89 €	24	Washer 1.00mm	129024	9,06 €
24	Washer 0,75mm	129022	8,66 €	24	Washer 0.88mm	129023	9,06 €
26	Ring 0.6mm	129021	8,01 €	28	Lock ring 26x1,2	299057	1,26 €
29	Pedar rod seal, repro	129018	17,26 €	30	Pedal schaft gasket guide	168015	73,02 €
34	Gear lever knob, screw-on, 'Pilzform	126003	36,00 €	34	Shifting lever Knob 58->ivory	126002	35,43 €
34	Gear lever knob, push-on, 'Pilzform	126004	29,63 €	35	Knob ivory, 4-speed, push-on, Repro	226002	45,80 €
35	Gear lever knob,black,4 speed, Repro	226000	46,34 €	36	Shifting lever rubber boot	126010	15,59 €
37	Chrome cover @ gear shift lever	126040	36,24 €	37	Chrome cover @ gear shift grommet	126840	32,50 €
38	Shifting lever top flange	126050	119,63 €	39	Spring washer	126055	12,25 €
40	Bushing pan gear lever	226833	7,44 €	42	Shifting lever, bottom flange	126060	113,86 €
43	Gear/Shifting leverFN	226020	266,83 €	43	Shifting lever ->8500309	126020	237,90 €

44	Bolt, gear lever to -shaft, early	126034	28,25 €	44	Bolt M7, e.g. gear lever from VIN ..42-10-004926	226034	0,96 €
46	Washers,gear lever end bolt, ref.-No. A1119903540	226028	10,91 €	48	Bushing Gear Linkage (required 4x)	126012	3,50 €
49	Bushing gear lever rod	126811	7,20 €	50	Bolt, gear shaft to box link	126033	21,25 €
50	Bolt M7, lever link front eyes	226023	15,89 €	51	Cotter pin 1,5 x 15	126824	0,12 €
51	Nut M7, self locking	226024	1,24 €	56	Fork flange, shifting rod	226025	197,60 €
57	Lever tube Repro/late w.buffer	126028	422,45 €	57	Gearshiftröd, repro	126027	316,41 €
59	spring washer 10mm	129074	0,26 €	60	Joint disc set w. screws, replaced	129840	47,01 €
61	Clutch release spring 56->	129080	13,39 €	61	clutch link spring up to '56	129085	27,14 €
62	Bracket for spring, LHD from 6501693	129081	13,20 €	63	Rubber joint, clutch lever (silent bl)	129055	55,79 €
64	Threaded pin @ clutch shackle	129072	37,46 €	65	Silent block @ clutch linkage, 55->	129050	10,20 €
66	Nut, flat style, zinned, pedals,kardan.	129073	1,49 €	67	Rubber buffer	129045	15,29 €
68	Shackle, for clutch adjustment	129070	196,35 €	69	A1212900939 Clutch pull rod	129056	352,24 €
71	Support, NOS, see picture	129929	55,00 €	71	Bracket for swivel support, LHD	129029	103,28 €
72	Rubber boot, inner pedal shaft seal, fits 129027	129006	36,38 €	73	Rubber cap, pedal support shaft	129836	13,01 €
74	Lock spring, LHD pedal shaft	129035	19,99 €	75	Rubber boot, inner pedal shaft seal	129034	8,93 €
76	Needle bearing, pedal shaft near tunnel	129032	4,15 €	77	Ball pedal shaft support, 5500436->	129031	43,67 €
79	Spacer ring	129033	7,52 €	80	special shim	129038	2,45 €
82	Shim, pedal shaft support	129082	24,84 €	83	Shim, pedal shaft support	129083	12,99 €
84	Rep-pin clutch link lever	129059	38,94 €	85	Buffer, clutch lever	129060	52,15 €
85	Buffer, clutch lever	129860	44,63 €	87	Retainer	132019	3,37 €
89	Coil spring, clutch pedal 5500108->	129049	51,98 €	90	Grease nippleFN	233048	0,26 €
91	Thrust rod	142058	41,47 €	92	Lower protection plate	129005	142,00 €

33 Front Suspension

33 Front Suspension



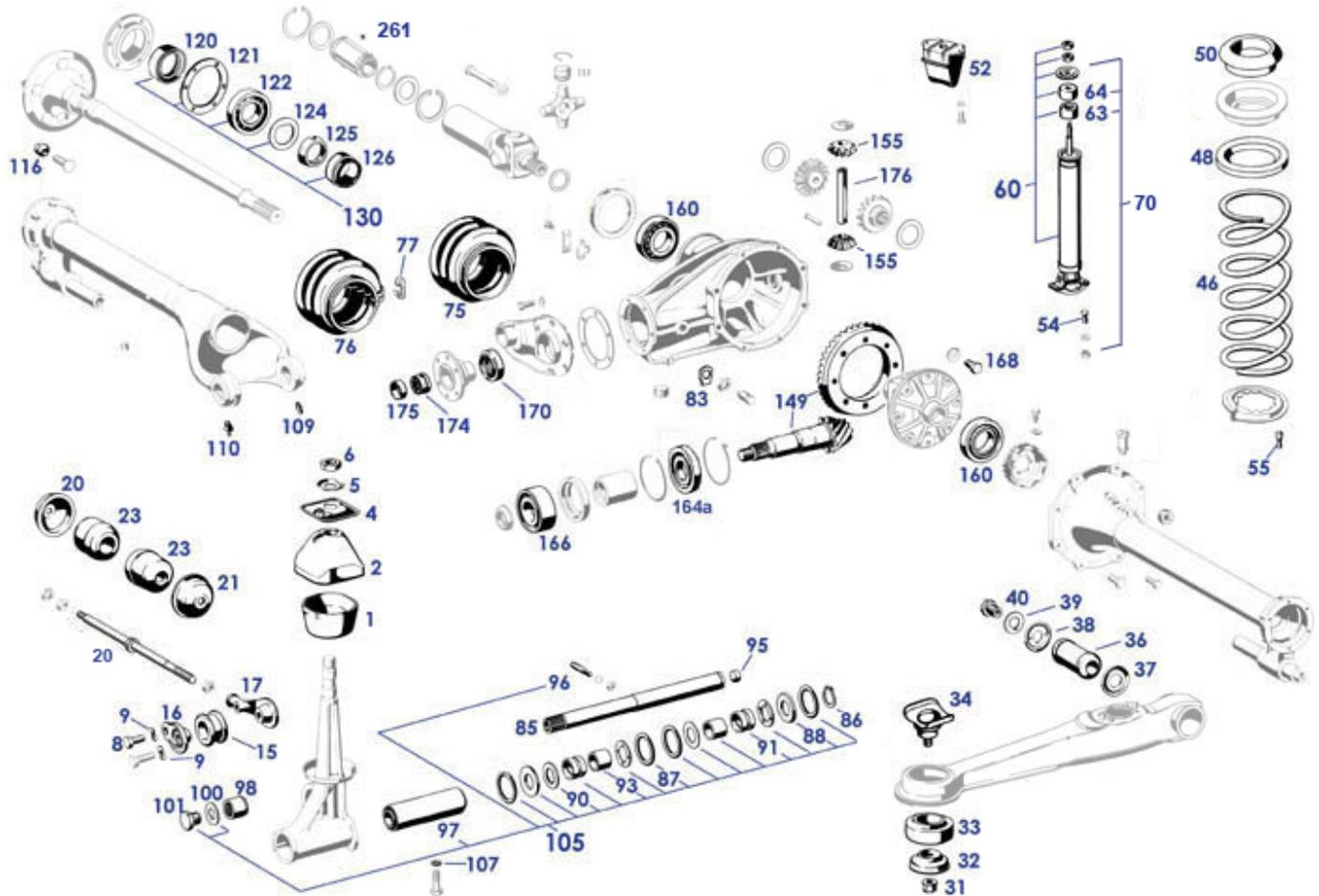
Shown axle body shows version according to VIN..6500173 (from 4-point engine mounting), The axle number is inserted into the steering knuckles. Wheel hub: from axle number 5500161 Right-hand thread clamping nuts (part 99); Change of the wheel bearing dimension (in late version = smaller version) from axis number 021980. Tie rods of the old design (with lubrication nipples, locknut and securing plate (shown here in gray)) have long time ago been replaced in today's design with clamp. Steering rod tubes and heads of the old style are not available

	Repair kit, control arm outer, lower+upper 1 side	133825	110,67 €		Split pin 3x36	133059	0,18 €
	Cotter pin 2,0 x 25, e.g. tie rod nuts	299460	0,12 €		Hex nut M10 fine, e.g. shock-absorber	232989	0,70 €
	Rep kit wheel bearing from 06.'61, FEBI	233880	39,88 €		A1203300607 Upper control arm	133045	756,15 €
	Self locking nut M12 X 1,5	733113	1,93 €	pin	pin 2,5 m6 X 6	233750	0,31 €
	Wheel bearing, inner, 06.61 -> 89, FAG	142680	15,92 €		Wheel bearing, outer, FAG	142730	25,26 €
	Washer at clamping nut, no inner pintle	233972	27,97 €		Washer at clamping nut, with inner pintle	133972	26,78 €
	Castle nut M10X1, thin shape, early joint	133706	2,45 €		Repr.set,k'pin/bushes,p'too Ponton	433850	119,00 €
2	King pin repair kit	233050	79,79 €	11	Bush, king pin, lower=L45mm	233053	14,28 €
14	King pin bearing ot/lw.	133031	43,89 €	15	Grease nippleFN	233048	0,26 €
16	King pin security washer	233051	3,21 €	21	Control arm rep. kit, upper outer, FEBI	133010	47,67 €
26	toothed washer, adjuster at upper ctrl arm	133023	0,89 €	27	Seal Ring, upper & lower	133015	8,45 €
28	Threaded bushing	133018	10,00 €	29	Cap for grease nipple, red	333048	0,65 €
29	Grease nipple, M8, 45°, FEBI	133048	0,57 €	37	Threaded bush, 29.9mm (no groove)	133038	25,25 €
37	Threaded bush, 30.9mm, with groove	133039	25,29 €	38	Sealing rings, Upper or lower	133041	2,05 €
44	Control arm rep. kit, lower outer,	133030	61,17 €	44	Repair kit, control arm outer,	133025	77,35 €

45	FEBI Bolt, king pin br. ot/lw	133032	10,17 €	48	lower+upper 1 side FEBI Steering stub axle LH, mid.generation, NOS	133012	190,40 €
48	Steering stub axle LH, mid.generation, NOS	133011	190,40 €	49	Bolt, shock absorber mount	135303	10,23 €
49	Spring washer M7	142152	0,18 €	49	Nut M7	135305	0,50 €
56	Mtg.bolt lower inner	133043	3,63 €	57o	hex nut M12 X 1,5 zinc plated class 10	233046	1,58 €
57	M12 DIN 127 lock washer	233042	0,39 €	60	Front suspension springs	132000	150,59 €
61	Shim	132011	5,15 €	62	Shock absorber front, Bilstein Gas	132111	324,99 €
62	shock absorber Koni Classic front	132103	172,55 €	62	Shock absorber front + rear Oil press	132112	274,31 €
64	Rubber ring, top	132027	2,82 €	64	Washer upper shock mount	232835	4,99 €
67	Rubber bumper, lower	133080	21,04 €	68	Rubber buffer, upper ctrl-arm L or R	133070	19,12 €
71	Torsion Bar Mtg. Kit. for 1 car	158000	97,76 €	72	Rubber mount torsion bar 20mm	132015	18,50 €
73	Bracket, torsion bar	132025	32,90 €	74	Retainer	132019	3,37 €
75	Rubber buffer, torsion bar rod	132017	8,29 €	76	Spacer tube, torsion bar rod	132018	8,09 €
80	Rubber mount, sub-frame to body	133060	40,45 €	81	Frt subframe rubber mount upper, rear	133055	36,72 €
82	Rubber buffer, lower subframe mount	133050	34,99 €	83	Sleeve	133054	8,35 €
84	Reinforcing shim, replaced style	133051	2,56 €	84	shim w.locking grooves, as orig	133151	20,05 €
85	Locking shim, fits old style washer	133052	4,96 €	86	Special bolt, frt axle->frame M12 X 1,5 X 57	133053	36,33 €
90	Shim at wheel hub rt.	133180	14,40 €	90	Shim at wheel hub lt.	133170	49,05 €
90	Bearing retainer ring 06.61->, orig.	142600	79,67 €	90	Bearing retainer ring 06.61 ->	142608	23,75 €
90	Puller plate >021979	142610	19,90 €	91	Seal ring @ frt wheel bearings	142625	8,88 €
91	Front axle seal >021979	142620	15,45 €	92	Inner front wheel bearing ->021979	142585	11,16 €
92	Wheel bearing, inner, 06.61 -> 89	142580	7,14 €	93	Roller bearing, outer up to 06.61 SKF	142940	24,99 €
93	Front axle outer bearing >021979	142640	14,65 €	93	Wheel bearing, outer	142630	4,58 €
97	Grease cap with contact spring	142650	79,99 €	99	Clamp nut multiple cars from 1956-1985 A1203340772	233077	32,53 €
100	Drag link 190,b,SL 5501502->, LHD	146040	74,28 €	100	Drag link 190SL ->5501501, LHD	146041	186,43 €
104	Tie rod end	233991	16,92 €	104	Spurstangenkopf, Rechtsgewinde	233992	10,98 €
104	Tie rod end, Rt. thread, brand Meyle	233192	8,60 €	104	Tie rod end, Lt. thread, brand MEYLE	233191	8,60 €
104	Right Tie Rod end -"Febi"	233092	7,25 €	104	Left Tie Rod end -"Febi"	233091	7,25 €
107	Tie rod end lock plate	199015	9,16 €	112	Split pin 2,5 x 25, fits crown nuts seering linkage	133007	0,24 €

35 Rear Suspension

35 Rear Suspension



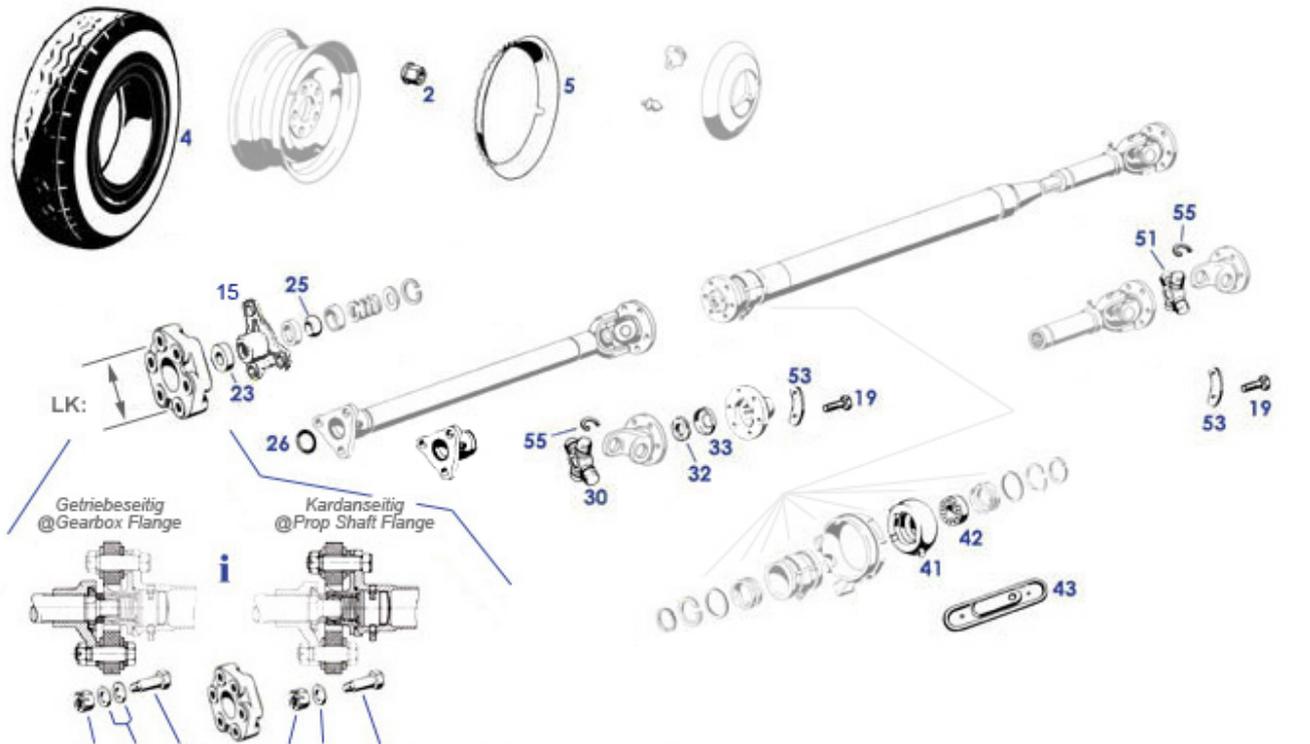
	Hex head bolt M10 x 22, LH axle to diff. ref.-No. N000933010164 product replaced: Lock / winding clip for 9mm strap	235038	0,52 €		Tool for special nut rr axle shafts	258750	130,90 €
	Hex nut M10 fine, e.g. shock-absorber	109035	2,09 €		A1803500193 Cross strut	135222	77,35 €
	Sleeve, length 26.0mm (std), OD+0.4mm Rep.	232989	0,70 €		Bolt, universal joint 230SL (L70)	235231	2,25 €
	Swing axle sleeve, closed, premium quality	235307	51,38 €	plug	Sw. Axle sleeve, open, repair, premium quality	135931	80,92 €
1	Rubber mount, rear axle ctr mount, lower	135930	49,43 €		Plug screw M24 conical, no collar	114025	8,98 €
2	Rubber mount, top >7503266	135002	32,24 €	2	Rubber mount, rr axle ctre, from 750336	135001	103,90 €
5	Locking plate rear axle mount	135003	80,13 €	4	Tightening plate	135117	211,21 €
8	hex head screw M10 X 20, 10.9 zinc plated	135004	5,20 €	6	Rear axle nut M22xl.5	135006	1,49 €
15	Rubber buffer,inner, rr axle cross stru	235315	1,40 €	9	M12-127 lock washer	235316	0,26 €
17	pair of shackle, cross strut to axle, early, M12, iron, Repro	135062	22,31 €	16	A1113510240 cup, rear half	135224	199,99 €
20	Bolt + bushing cross strut early M12/M1	135725	197,54 €	17	on request: latch for cross strut NOS/used	135223	188,50 €
31	Crown nut M12 (e.g. early rr struts)	135722	57,52 €	23	Rubber buffer at rr axle cross strut	135033	30,59 €
31	Split pin 3x36	135121	29,50 €	31	Crown nut, M14 thread	135120	25,47 €
32	Retainer plate, early type (m12)	133059	0,18 €	32	Retainer, late strut mount (M14)	135810	15,59 €
34	Support for rear axle strut	135809	52,35 €	33	Rubber mount, trailing arm donut	135100	35,07 €
37	Tightening plate	161210	31,89 €	36	Rubber bushing, trailing arm to axle	135009	16,29 €
39	Lock shim, strut to rr axle	135111	100,86 €	38	Mounting retainer	135112	100,86 €
45	Spring retainer, bottom	135007	5,18 €	40	Bolt, Arm to rear axle	135014	34,83 €
46	Rear suspension spring Lt.	132012	91,99 €	46	Rear suspension spring Rt	132006	112,76 €
		132001	122,45 €	48	Spacer ring above rr springs	132014	19,77 €

49	Spring retainer, top	132013	150,00 €	50	Rubber mounting f.spring retainer top	132030	29,95 €
50	Rubber mounting f.spring retainer top	132830	32,90 €	52	bolt, M7 e.g. buffer 132016	132036	0,38 €
52	Rubber bumper, rr axle, as original	132916	73,01 €	52	Rubber bumper, replcmnt, (higher)	132016	99,95 €
52	Spring washer M7	142152	0,18 €	54	Nut M7	135305	0,50 €
54	Bolt, shock absorber mount	135303	10,23 €	55	Rest: special stud bolt, damper	135304	24,99 €
60	shock absorber Koni Classic rear	132113	172,55 €	60	Shock absorber rear, Bilstein Gas	132022	314,99 €
60	Shock absorber front + rear Oil press	132112	274,31 €	64	Washer upper shock mount	232035	4,75 €
64	Rubber ring, top	132027	2,82 €	64	Washer upper shock mount	232835	4,99 €
71	A1203534452 Shim 2.0mm	135024	10,00 €	75	Swing axle sleeve, closed	135130	29,96 €
76	1m metal strip, 9mm clamp	109030	4,00 €	76	Sw. Axle sleeve, open, rep., design differs to orig	135131	41,45 €
77	Clamp for repair bellows	135832	1,19 €	77	Lock / winding clip for 9mm strap	109835	2,84 €
77	Clamp, air hose	209004	2,77 €	77	1m metal strip, 9mm clamp	109830	3,09 €
83	Locking shim, e.g. at rr axle	135178	4,84 €	85	Bolt, rr axle ctre joint	135713	130,66 €
86	Locking ring	235322	3,09 €	87	Rubber ring, swing link	235304	3,50 €
88	Shim at ctr bolt rr axle joint	235305	15,71 €	88	Shim at ctr bolt rr axle joint	235705	10,00 €
90	see 235718	235624	27,89 €	90	Shim, 2.0mm thick, standard size	235306	17,85 €
90	Shim, 2.4mm thick, repair size	235718	17,50 €	90	Shim, 2.2mm thick, repair size	235716	23,42 €
91	Rear axle tube bushing	235050	29,63 €	93	Sleeve, length 25.6mm	235656	46,79 €
93	Sleeve, length 26.0mm (std)	235807	47,30 €	95	Cap,to235308	235309	1,32 €
96	Cotter Pin for Rear Diff Mounting Strut	235810	17,48 €	97	Sleeve, axle to center support	135012	91,52 €
98	Spacer sleeve, R/A 5501578>	135011	29,75 €	100	Lock washer	235301	2,59 €
101	Hex Bolt on Differential Mounting Strut	235324	18,55 €	107	Spring washer, u/j bolt	235303	0,42 €
109	Grease nipple, M6	235048	0,95 €	110	Grease nipple, 45°, M6	235047	0,50 €
110	Cap for grease nipple, red	333048	0,65 €	116	Wheel lug nut, 190SL, Ponton	199022	0,79 €
120	Sealing	143804	11,86 €	121	Gasket, axle tube to brake base 190...	143002	9,81 €
122	Rear axle roller bearing, RT, (drum shape rollers)	135058	71,40 €	122	Rear axle ball-bearing	235005	22,88 €
122	Rear axle roller bearing, RT, (drum shape rollers)	135858	67,38 €	124	Rear axle lock plate	235006	12,79 €
125	Axle shaft grooved nut	135057	11,29 €	126	Rear axle seal (inner)	143001	5,82 €
149	Drive pinion with ring gear 1:3.7	135085	970,20 €	155	Bevel gear 10 teeth	135155	479,99 €
160	Rear axle inner bearing	135070	30,12 €	161	Locking, simplified, Repro, nose outer position	135607	6,68 €
161	locking plate bearing adjuster in diff	135079	2,86 €	161	Locking, simplified, Repro, nose outer position	135608	6,68 €
161	Locking, simplified, Repro, nose ctre position	135606	6,68 €	164a	Cyl.roller bearing 80x40x23	135050	93,19 €
166	Roller bearing at pinion	135055	202,00 €	168	Bolt, ring gear at differential	135047	9,94 €
170	Seal ring, input shaft	135818	21,00 €	174	Grooved nut with locking ring	135017	42,90 €
175	Lock ring, rear axle	135021	5,58 €	175	Lock ring, rear axle	135821	5,00 €
176	Pin, differential	135159	148,99 €	261	Barrel roll 4x4, rear axle slip joint	135261	2,50 €

40, 41, 81 Wheels, Prop.-Shaft, Wheel trim

40, 41, 81 Wheels, Prop.-Shaft, Wheel trim

40, 41, 81 Wheels, Prop.-Shaft, Wheel trim



LK 80 / M10	3x	6x	3x	1x	3x	3x	3x	set	LK 80mm → ...6500172	ca. Jan.1956, zeitgleich mit Wegfall Getriebegummilager
LK 90 / M12	3x	6x	3x	1x*	3x	3x	3x	set	LK 90mm ...6500173 →	in time with abolition of rr.gearbox-rubbermount

* Bauform von Gelenkscheiben aktualisiert:
 rund anstelle sechseckig. Einbaulage bei LK 90mm nicht mehr richtungsgebunden
 Flex disc design updated: round instead hexagonal, fitment position (late disc) irrelevant

	Joint disc, 90mm bolt circle	241801	55,93 €		hex nut M12 fine, locking, flat shape	741048	0,57 €
	Self locking nut M12 X 1,5	733113	1,93 €	set	Hardy Rep-set 90mm,look for 24180	241000	201,11 €
1	Steel rim 5 x 13, reproduction	140803	243,95 €	1	n.l.a. Steel rim 5x13 used,checked, W11	140003	361,17 €
2	Wheel lug nut, 190SL, Ponton	199022	0,79 €	4	"6.40x7.00 R13" aftm."	140001	190,40 €
4	"185/80/13" 1,5cm white wall"	140002	145,00 €	4	Tyre 6.40 x 7 x 13 87S, Vredestein Sprint (no white)	140004	177,31 €
5	Wheel trim ring, 13", s.steel, Repro	181130	47,01 €	5	"Wheel trim ring chromed, 13"	181030	111,18 €
10rep	Rep flange, DIY, 90mm front end prop shafts	141828	172,55 €	15	Centering cross, pitch circle 90, inner diameter:28,6	141030	102,99 €
16	Joint disc, 80mm bolt circle, eg 190earl	141001	67,95 €	16	Joint disc, 90mm bolt circle	241001	71,25 €
19	Bolt, prop.shaft flange (2x6 req)	141016	13,73 €	19	Bolt, prop.shaft flange (2x6 req)	141816	2,83 €
20	Bolt, Gear->Hardy90, 190'56->, 230SL	141013	17,73 €	20	"Bolt, joint@prop-shaft ->'56; HC 80mm"	141009	20,65 €
20	Stud bolt, flex disc to prop shaft	141012	15,35 €	20	Bolt, trans to flex disc.>6500172	141011	19,99 €
21	Washer, prop disc late (d90)	141008	5,46 €	21	Washer 10,5 fits 80mm prop disc	141007	4,86 €
22	Split pin 2,5 x 2,5, fits crown nuts seering linkage	133007	0,24 €	22	"Nut for propshaft bolts 10mm ->'56;HC8	141019	1,49 €
22	lock nut full metal M12 X 1,5 flat type	241113	0,77 €	23	rubber as per A1204110060 64, please adjust thickness	241807	9,98 €
26	O' ring, star-flange to prop shaft	241013	1,32 €	28	retaining ring for bores 30 X 1,2	241021	0,46 €
30	Prop shaft cross, bearg. "26" -->7500982	141021	142,80 €	30	Prop shaft cross, bearg. "26" -->7500982	141821	235,62 €
32	Grooved nut	141061	7,85 €	33	A1829940043 Lock plate	141062	9,34 €
41	Bush,rubber,p.scentre bearing	141018	18,65 €	42	Ball bearing, ctr support prop shaft	141015	9,22 €
43	Washer at prop shaft covering	141029	7,78 €	43	Cover plate, prop shaft mount	141005	54,99 €

51 Cross bearing assy"28", 57->67, [141822](#)
grease channel

155,35 € 51

5500750->
Cross bearing assy"28", 57->67, no [141022](#)
grease channel

309,00 €

40, 81.b Info Wheel decoration

40, 81.b Info Wheel decoration



**Vor Bestellung / Montage von Zierringen
bitte Felgenbauart prüfen.**

**Please check design of wheel rims before
ordering / mounting trim rings.**



**Chromradkappen werden
unlackiert geliefert**

*Chrome hub caps will be
supplied unpainted.*



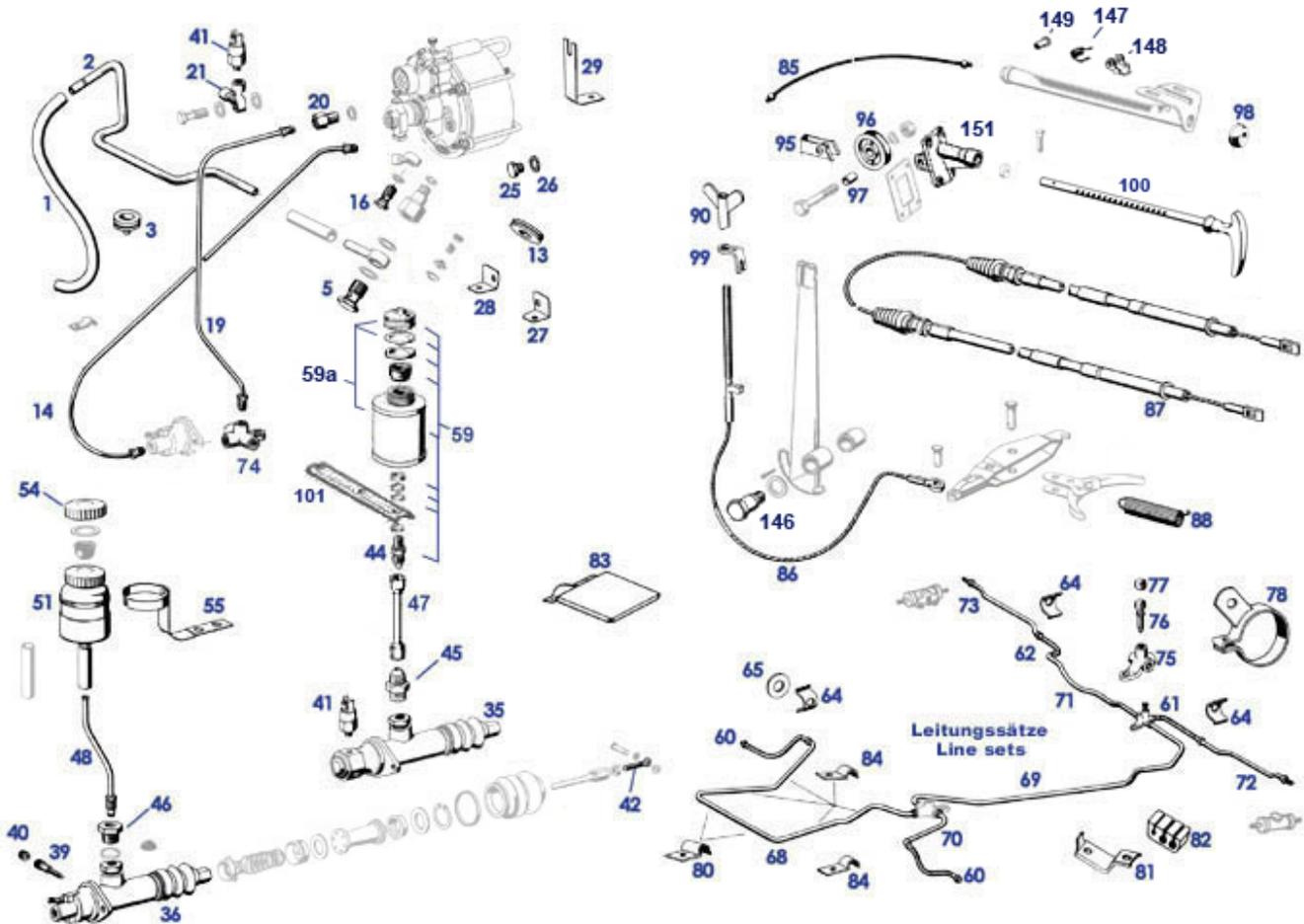
**Lackierhilfe für Centerkappe der
13" und 14"-Felgen. Anleitung beachten.**

**Painting template fits center cap
of 13" and 14" rims. Consider instruction.**

42 Brakes

42.c Brake (Linings, Mastercylinder, Handbrake)

42.c Brake (Linings, Mastercylinder, Handbrake)

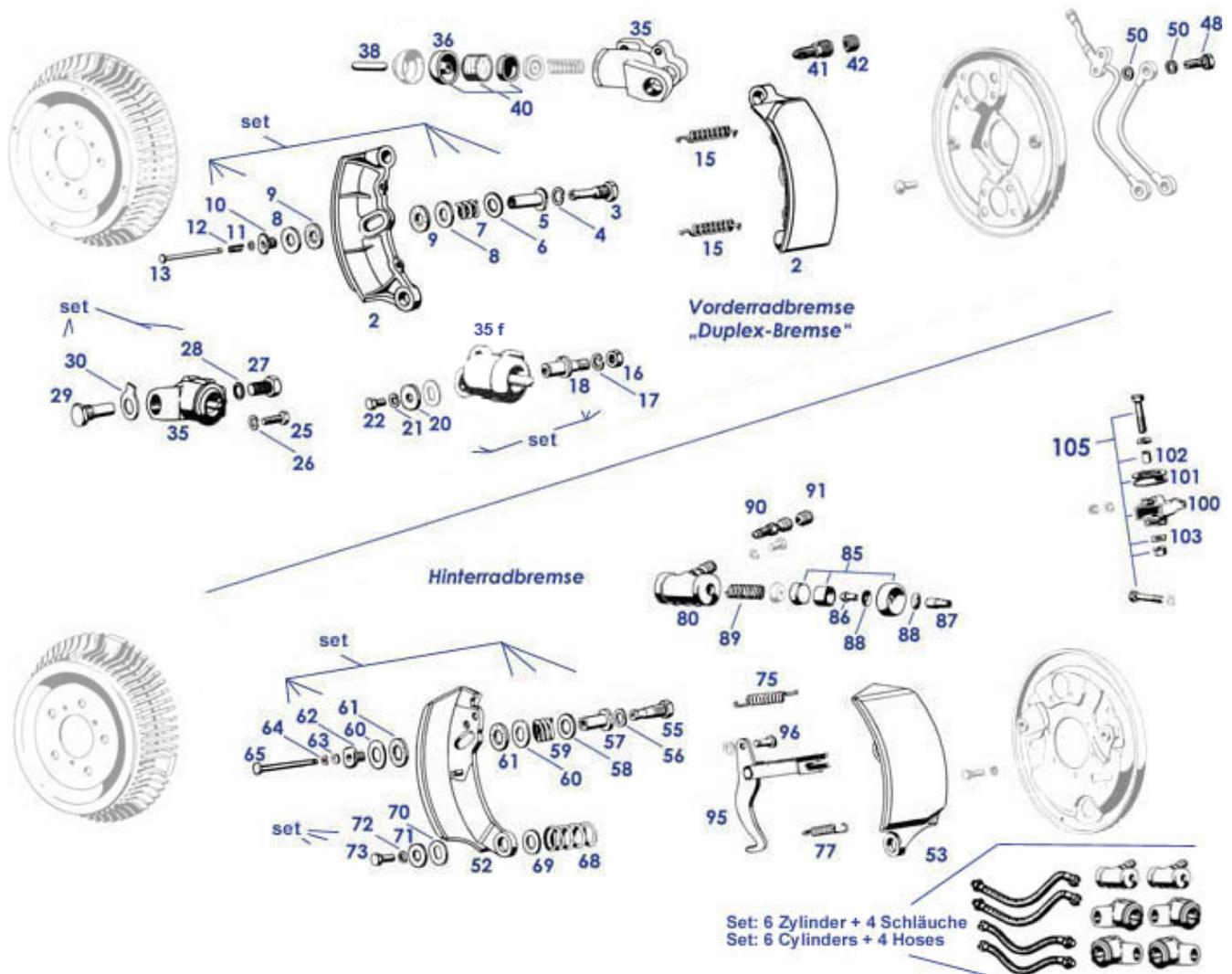


	pair of brackets @ T50	142115	65,45 €		Brakeline 450mm:R- RH(drumbrke),+frtLH'6	142020	24,89 €
	threaded hollow fitting nut, M12x1, hex12	943019	2,49 €	ring	Gasket, metal reservoir	142075	4,25 €
1	Spray prot.plate, metal reservoir 1m rubber hose ID 10mm, 5mm wall	142074 943028	5,46 € 32,78 €	strain 2	Strainer, metal reservoir Metal pipe, booster-vac, 190SL- T50, LHD	142073 142132	7,28 € 154,89 €
2	Clamp, e.g. vac pipe	142138	4,94 €	3	Rubber grommet 11/30, bulkh(190),107,..	299017	1,59 €
5	Fiber seal ring M22	142098	0,60 €	8	retaining ring for bores 17 X 1	142095	0,20 €
13	Rubber grommet	299005	2,59 €	14	Brake line, T-50->master-cyl. LHD	142021	15,30 €
16	Hollow screw, pipe conn.	142049	11,96 €	19	Brake line, T-50->dist. blk.->8501754	142022	15,71 €
19	Brake line, T-50->dist. blk. 8501755->	142023	24,94 €	21	Junction Y at booster	142048	77,25 €
22	Hollow bolt	142094	4,72 €	25	Screw plug @ booster face	142099	5,80 €
26	Copper seal ring	207115	0,18 €	27	Front Lt. short mounting bracket	142109	24,99 €
28	Front Rt. short mounting bracket	142108	28,91 €	28	Front Lt. long mounting bracket	142107	64,90 €
28	Front Rt. long mounting bracket	142106	63,49 €	29	Rear mounting bracket	142105	24,01 €
35	"Master Cylinder, 190SL w/o T50	143011	369,69 €	36	"Master Cylinder, 1-1/16" (with T-50)"	143010	231,60 €
39	Bleeder screw, '58->, M6 plug, ATE 03.3517-0300.1	143012 943017	6,59 € 2,89 €	40	Bleeder valve cap, brake, steering	143041	2,05 €
41	M10 x 1 ATE blug bolt	943018	14,99 €	41	Brake light switch, replaced style	142045	20,37 €
41	Rubber Boot on to Theroswitch	254125	9,39 €	41	Brake light switch, replaced style	142845	15,34 €
44	Threaded fittings	142031	30,64 €	42	Thrust rod	142058	41,47 €
				45	Reducer fitting, Mastercyl early, (where metal reservoir)	142009	47,47 €

46	A0004281230 Reducer fitting 8501755>	142006	65,31 €	47	Brake fluid pipe, to LHD metal reservoir	142040	168,11 €
48	Brake line, master-cyl.->tank 8501755>	142025	34,99 €	51	Brake fluid reservoir '58->, ATE	142001	34,71 €
54	A0004315433 Reservoir cap	143023	15,55 €	55	Holding bracket, FN style	142056	129,29 €
59a	Brake fluid reservoir 190SL->'58, brass chromed	142805	129,00 €	59	Reservoir, metal version, LHD	142178	127,50 €
60	Brake hose front, Lt. or Rt.	143035	50,10 €	61	Brake hose rear left up to model year 1966	143051	31,36 €
62	Brake hose, rr.rh. 220mm, W121,113,111,108...COH	143052	49,99 €	64	Retaining clamp, brake hose	143036	0,99 €
65	Washer	143039	3,25 €	68	Brake line, LHD ctre to RH, no-T50-car	142027	24,99 €
68	Brake line, ca. 239cm, 190SL w.T-50, front Rt.	142013	22,00 €	69	Brake line 219,5cm, 190SL LHD w.T50, ctre	142017	19,68 €
70	Brake line 390mm	142814	10,95 €	71	Brake line 500mm: rr ctre 190SL+ pontoo	142010	6,60 €
72	Brake pipe 430mm: rr LH 190SL+pontoon	142030	5,68 €	73	Brake line 480mm, e.g. 190SL rr rh	142812	12,25 €
74	adaptor M10X1/M12X1	142826	10,47 €	74	Pipe terminal frt, Original	142129	392,59 €
74	Pipe terminal front, thread: 4X M10X1	142825	25,39 €	75	Distributor, brake lines, 3 conn., no bleeder	142008	16,59 €
75	Verteiler Bremsltg. m.Entl. hi. 57->	242104	311,26 €	76	A3075530107 Bleeder screw at booster	242007	8,70 €
78	Tube clamp	142055	111,00 €	80	Pipe clamp,brake line @ frt	143037	5,99 €
81	Fuel and brake line clamp, for 30mm rubbers	147014	2,32 €	82	Rubber guide	147038	3,76 €
83	Screw 3,9	299279	0,27 €	83	Heat shield, brake line to RH-wheel	168142	131,29 €
84	Clamp 5mm e.g. brake lines	143038	0,50 €	85	Brake cable for pull rod, LHD	143033	39,98 €
86	Emergency brake cable, middle	143944	138,40 €	87	Brake wire rear, Repro	143160	115,68 €
88	Emergency brake spring	142555	34,32 €	90	wing nut, parking brake adjustment	143068	117,18 €
95	Guide, brake wire	143072	43,27 €	96	Handbrake cable roller	242149	95,37 €
97	Pulley bushing	142834	11,76 €	98	Bufferring, parking brake rod	142821	24,99 €
99	Bracket at brake lever	143054	26,87 €	101	Support strut, 175mm, metal reservoir	142038	43,26 €
146	Bolt, lever support bearing	143069	23,80 €	147	A1209930020 Spring at hand brake catch	143065	2,38 €
148	A1204270115 Catch at hand brake lever	143064	39,87 €	149	A0009910081 Rivet pin at hand brake cat	143066	11,90 €

42.a Brake (Wheels)

42.a Brake (Wheels)



Almost from the start of production (from the rear axle 5500230), 190SL were completely equipped with cooled drums. Drums without radial ribs can be an indication of a ponton axle, the rear axle may be fitted with narrower jaws in this case. Brake shoes were replaced by the type "W180" in the "W110" type, which should be done by the axle and the retention springs must fit. For change details on the front cylinders please visit our page 42. B.

	Spring washer, fits M6	181028	0,18 €		Pulley bushing	142834	11,76 €
	Return spring Rt. ->024160 repro	142720	29,99 €		Return spring Lt. ->024160 repro	142710	30,15 €
	Friction washer	142815	6,19 €		A1839903540 Washer for 142147	142148	4,76 €
2	Brake shoe frt, Alu, 65mm wide	142000	115,43 €	3	Pin, Brake adjuster- from 5500131	142071	44,45 €
5	Adjusting sleeve, from 5500131	142914	21,23 €	6	Brake adjuster shim 0,45mm	199003	7,56 €
7	Brake adjuster spring	142032	5,03 €	8	Thrust washer, shoe adjustment spring	199001	6,63 €
9	Friction washer	142915	9,87 €	10	T- nut brake shoe	142903	8,69 €
11	Washer5.3mm	142905	0,24 €	12	spring at shoe guide pin	142917	3,49 €
13	Split pin 3x22	142089	0,12 €	13	Guidebolt,frtbrake	142035	9,34 €
16	hex nut,early brake bolt	142919	1,38 €	17	M12 DIN 127 lock washer	233042	0,39 €
18	pivot pin brake shoes to cylinders early style	142036	115,00 €	20	Washer, rr brake	142911	15,46 €
22	Bolt, M8 x 12 zined	799942	1,07 €	25	M8x15-933 hex head bolt	142912	0,56 €
27	Srew, w/cyl. to anchor plate	142034	5,46 €	29	Bolt, fits late or renewed brake cyl	142033	14,65 €
30	Lock Plate	142044	2,98 €	35	Wheel cyl. ATE front left, 021835>	143030	116,49 €
35	Wheel cyl. ATE frt Rt. 021835>	143040	116,38 €	35	Wheel cyl. frt Lt. 021835>	143830	53,10 €
35f	Brake cylinder; left; 28,57mm, early version	443031	149,99 €	35	Wheel cyl. frt RH. 021835>	143840	53,10 €
35f	Brake cylinder; right; 28,57mm, early version	443041	149,99 €	36	Dust cap, wheel cyl.	143031	8,68 €
38	N/A Thrust pin wheel cyl.	143832	16,26 €	38	Thrust pin wheel cyl. orig / rest	143032	23,80 €
40	Repr. kit, fr. wheel cyl. ATE	143045	85,68 €	41	Bleeder valve (M10 fine), 190brake, Steerg(Pws)	142003	3,94 €
42	Bleeder valve cap, brake, steering	143041	2,05 €	47	Brake line, between wheel cylinder	142012	156,89 €

48	Hollow bolt brake cylinder	142018	9,57 €	50	Seal ring 10x13,5, copper, e.g. wheel cyl, ..	142039	0,18 €
52	Set early brake shoes 65mm 4pce (exchange)	142085	305,00 €	52	Set of brake shoes 65mm 4pce	142885	241,15 €
52	Set late brake shoes 65mm 4pce (exchange)	142086	305,00 €	57	Brake adj. sleeve 5500168>	142901	25,79 €
64	Washer,waved shape,M5, zined	142904	0,25 €	65	Split pin 2,5 x 16	142091	0,18 €
65	Guide pin rear brake w/spg	142090	9,34 €	68	spring at rear brake shoe support see 142410 (del-t)	142908	12,26 €
69	Washer rr brake, betw.spring and shoes	142909	3,15 €	70	Waved spring washer M8	799911	0,18 €
70	shim, brake, rectangular hole, 1.0mm	142410	6,55 €	72	Spring, fitting190SL from 024160 L/R, +230SL	142810	12,25 €
75	Return spring Lt. ->024160 repro	142510	23,43 €	75	Return spring, brake lever, fits L/R cyl.kit 23,81mm cyl.piston 7500148>	142820	4,61 €
75	Return spring Rt. ->024160 repro	142520	23,43 €	77	Handbrake lever, Rt.	142043	258,65 €
80	Brake cylinder rear '57-> + replacements	143050	73,54 €	85	Bolt M6 at rope roll	142156	0,75 €
86	Push rod, 1 pce, rr wheel cyl.	242072	11,39 €	95	wheel, brake wire guide	142150	98,60 €
100	Brake rope housg. RH, Repro	142708	195,10 €	100	Pulley assembly, right, repro	158820	399,99 €
100	Brake rope housg. LH repro	142707	195,10 €	101			
105	Pulley assembly, left, repro	158810	399,99 €	105			

42.d Info Brake Shoes rear

42.d Info Brake Shoes rear



75	Set of brake shoes 65mm 4pce	142885	241,15 €	52	Set early brake shoes 65mm 4pce (exchange)	142085	305,00 €
75	Return spring Lt. ->024160 repro	142710	30,15 €	75	Return spring Rt. ->024160 repro	142720	29,99 €

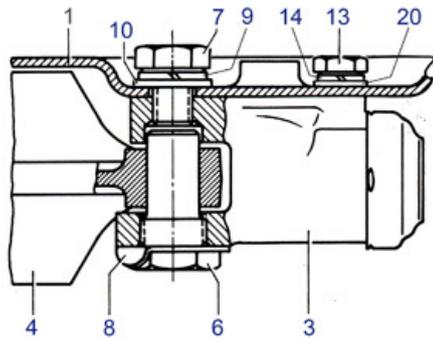
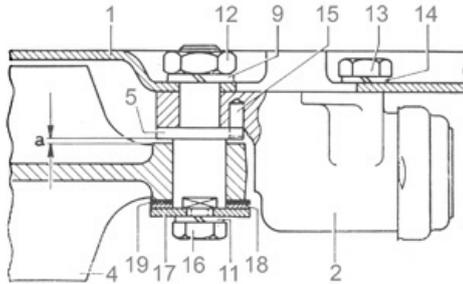
42.b Info Wheel Cylinder front

42.b Info Wheel Cylinder front

190SL Vorderradbremse



erste Generation Bremsbacken-Lagerung,
nur noch vereinzelt Teile verfügbar,
Umbau in aktualisierte Lagerung empfohlen,
Ankerplatten können wieder verwendet werden



aktualisierte Bremsbacken-Lagerung

- 1 Ankerplatte
- 2 Zylinder erste.Generation
- 3 Zylinder aktualisierte Bauweise
- 4 Bremsbacke
- 5 Lagerungsbolzen erste Generation
- 6 Lagerungsbolzen aktualisierte Version **
- 7 Befestigungsschraube aktualisiert **
- 8 Sicherungsblech **
- 9 Federscheibe **
- 10 Unterlegscheibe ** *
- 11 Federscheibe
- 12 Mutter
- 13 Befestigungsschraube
- 14 Federscheibe
- 15 Stift
- 16 Schraube
- 17 Scheibe
- 18 Scheibe
- 19 Ausgleichsscheiben Dicken nach Bedarf
- 20 Scheibe *

* Scheiben 10 und 20 sind ergänzende Empfehlung, alternativ zu einer Kürzung der Schrauben 7 und 13.

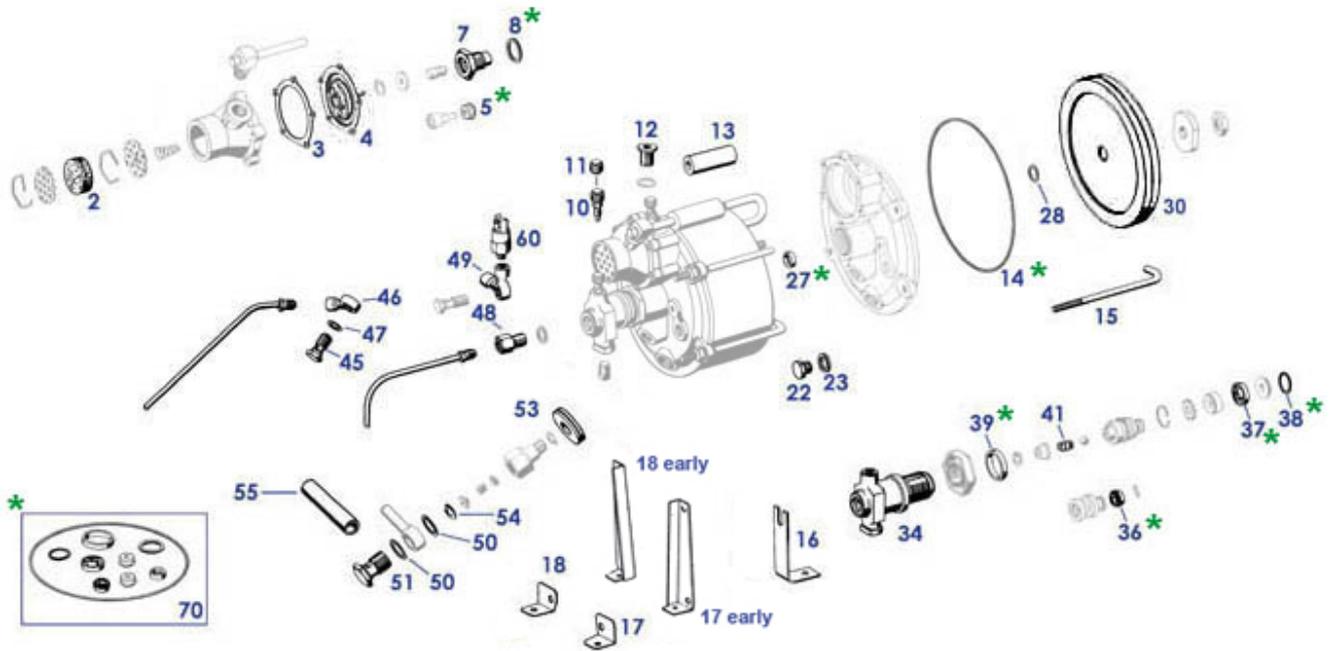
** Diese Teile sind Inhalt im Ergänzungs-Set 143020 zur Umrüstung einer Vorderachse

To date, a significant proportion of the old cylinders have been updated on the vehicles as the old cylinders have worn & been replaced by the later type, so that the modification date is only rarely meaningful: officially from the front axle number 021835 (approx. February 1961), the cylinder version shown below was used. When mounting, make sure that there is a residual distance between the bolts 7 + 6: over tension destroys the cylinder.

	hex nut,early brake bolt	142919	1,38 €		Spring washer, fits M6	181028	0,18 €
	Spring washer	222005	0,44 €	2	Brake cylinder; left; 28,57mm, early version	443031	149,99 €
2	Brake cylinder; right; 28,57mm, early version	443041	149,99 €	3	Wheel cyl. frt Lt. 021835>	143830	53,10 €
3	Wheel cyl. ATE front left, 021835>	143030	116,49 €	3	Wheel cyl. ATE frt Rt. 021835>	143040	116,38 €
3	Wheel cyl. frt RH. 021835>	143840	53,10 €	4	Brake shoe frt, Alu, 65mm wide	142000	115,43 €
6	Bolt, fits late or renewed brake cyl	142033	14,65 €	7	Srew, w/cyl. to anchor plate	142034	5,46 €
8	Lock Plate	142044	2,98 €	9	M12 DIN 127 lock washer	233042	0,39 €
10	Washer 13x20x2 zincked	199142	0,32 €	13	M8x15-933 hex head bolt	142912	0,56 €
14	Locking ring M8	299327	0,18 €	16	Bolt, M8 x 12 zincked	799942	1,07 €
17	Washer, rr brake	142911	15,46 €	20	Washer 8,4mm, standard, yellow zincked	299326	0,11 €

43 Brake Booster T50

43 Brake Booster T50

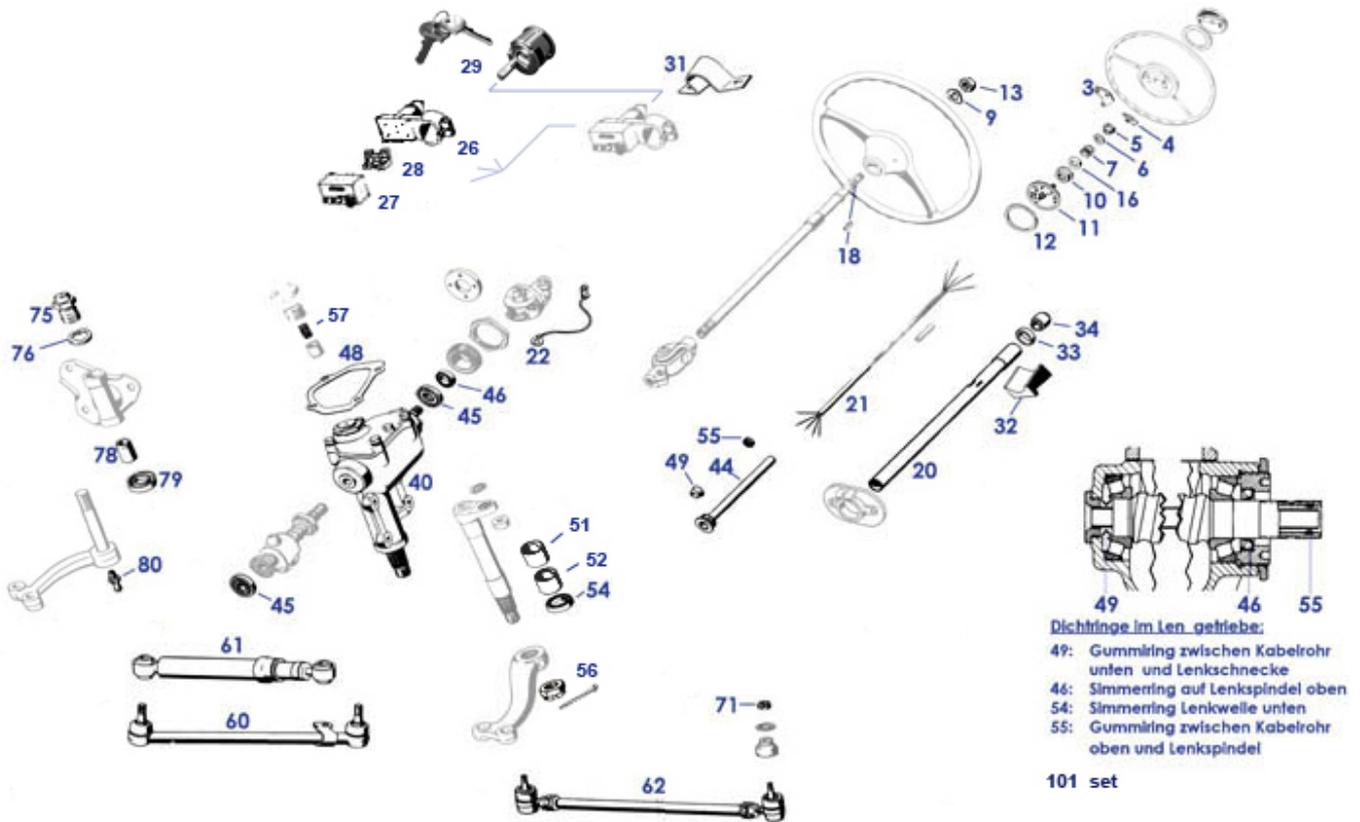


The T50 is an early development of the vacuum brake booster and was from VIN 6501956 standard equipment in the 190SL. Due to the location - independent installation (no mechanical connection to the pedal system or main brake cylinder), the retrofitting to earlier 190SL was popular and possible in RHD vehicles as well, however, the brake pipe position and main brake cylinder type have to fit. For limousines (up to W111) almost identical brake devices are placed at the front left in the engine compartment, as used parts are difficult to identify, comparing with the 190SL versions (e.g., length working cylinders). Known MB part numbers for T50 are 000 430 1230, 000 430 1430, 000 430 2130, to the latest version, ATE and MB Classic Center initiated a new edition after a long delivery gap. In the case of vehicle restoration, please make sure that the position of the brake light switch is checked, since only a replaced late switch (SLS part no. 142045) is available, mounting on top, to Y-style-fitting MB A0004281924

pin	Pin at booster piston	143014	0,49 €	2	Filter for brake booster	143016	14,29 €
3	Gasket	143091	12,50 €	4	Membrane, control cyl. T50	143090	202,72 €
4	Diaphragm control cyl. T50	143190	392,69 €	5	Grooved rubbercup, ctrl.-cyl. T50	143095	28,00 €
7	Ctrl-Cylinder for Booster T50	143017	126,53 €	8	Seal ring, ctrl.cyl. T50, square profile	143018	27,80 €
8	Seal ring, ctrl.cyl. T50, round profile	143818	27,14 €	10	A3075530107 Bleeder screw at booster	242007	8,70 €
11	Bleeder valve cap, brake, steering	143041	2,05 €	12	Reducer fitting @ T50 booster	143027	37,97 €
14	O-ring	143006	21,00 €	15	Tightening bow, T-50	143008	27,13 €
16	Rear mounting bracket	142105	24,01 €	17	Front Lt. short mounting bracket	142109	24,99 €
17e	Front Lt. long mounting bracket	142107	64,90 €	18e	pair of brackets @ T50	142115	65,45 €
18e	Front Rt. long mounting bracket	142106	63,49 €	18	Front Rt. short mounting bracket	142108	28,91 €
22	Screw plug @ booster face	142099	5,80 €	23	Copper seal ring	207115	0,18 €
27	Sealing ring,throttle shaft	143005	4,93 €	28	Seal ring T50	143093	3,19 €
30	Metal plate at diafrgm, T50	143094	216,82 €	34	Cylinder at Booster T50	143107	411,89 €
37	Seal cup, piston tail	143081	35,70 €	38	Seal ring, drv piston	143083	2,78 €
39	Seal ring	143013	35,22 €	41	spring, ref.-No. A0004350684	143079	17,49 €
45	Hollow bolt	142094	4,72 €	49	Junction Y at booster	142048	77,25 €
50	Fiber seal ring M22	142098	0,60 €	53	Rubber grommet	299005	2,59 €
54	retaining ring for bores 17 X 1	142095	0,20 €	55	Clamp, e.g. vac pipe	142138	4,94 €
60	Brake light switch, replaced style	142845	15,34 €	60	Brake light switch, replaced style	142045	20,37 €

46 Steering

46 Steering

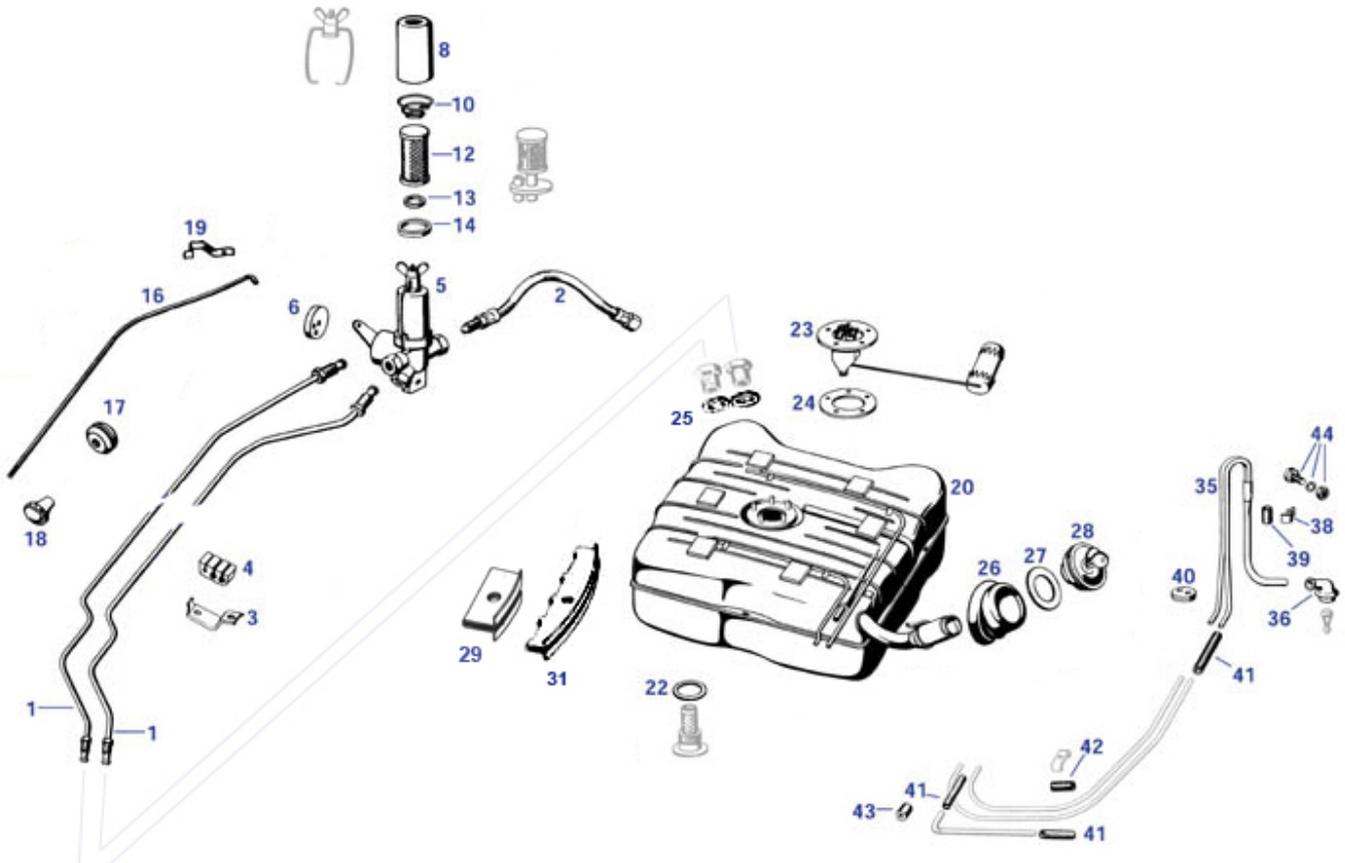


	Cotter pin 2,0 x 25, e.g. tie rod nuts	299460	0,12 €		Chrome clamp, fits spokes of ivory steerg.wheel	146011	49,85 €
	Castle nut M10X1, thin shape, early joint	133706	2,45 €	3	Locking lever	146014	18,56 €
4	Locking lever spring	146029	1,98 €	5	Steerg wheel crown nut	146034	46,91 €
6	Contact washer	146033	8,75 €	7	Contact plate pressure spring	146016	3,50 €
9	lock shim, steering wheel	146008	13,63 €	10	Brass cup contact	146028	13,30 €
11	Contact plate	146025	519,99 €	12	Contact washer, brass	146032	17,79 €
13	Hex nut, steerg.wheel	146047	18,69 €	16	Isolation washer	146019	4,97 €
18	Woodruff key steerg. column	146009	8,65 €	20	Steeltube, steering column, used, Version 38mm	146031	899,64 €
21	turn signal wiring harness US	154119	64,99 €	21	Wire harness, USA turn signal	154118	74,97 €
21	Cable harness	154017	124,95 €	22	Ground strap at univ. joint	146089	14,93 €
26	steeringlock 190 SL,34 mm LHD	146870	1.285,20 €	27	Plastic cap for steerg-column ignition switch	146051	51,48 €
28	Switch, ign.lock	146050	338,00 €	29	Cylinder and key, repro, for steering lock	146055	479,99 €
31	Clamp 38mm	146017	66,76 €	31	Clamp 34mm	146018	67,06 €
32	Support rubber, fits column 38mm	146012	75,17 €	32	Support rubber fits column 34mm	146013	33,05 €
33	Rubbergrommet at steerg.column, from '56	146039	24,69 €	34	Bushing steering column '57-> tube, early	146078	71,10 €
40	Steering box in exchange, old box req.	146085	2.401,40 €	44	Bearing, e.g. 190SL steerg	146097	48,52 €
44	Guiding tube f.wires late (5501501->)	146079	69,20 €	45	Seal ring steerg.upper, O-D 32 (early)	146043	4,32 €
46	Seal ring e.g. steerg box / gear box	227811	2,44 €	46	Gasket steerg box housg	146786	5,94 €
48	Gasket steerg box housg	146086	10,23 €	48	Repair-bushing, upper. steerg box	146083	33,43 €
49	Sealing ring	146088	13,14 €	51	Seal ring e.g. steering box lower late	146087	9,47 €
52	Repair-bushing, lower, steerg box (from box-no...)	146084	33,43 €	54	Sealing ring	146038	7,33 €
54	seal ring steering box early, up to box 021119	146082	6,30 €	55	Split pin 5 X 45, eg castle nuts steering	246213	0,43 €
56	hexagon thin slotted and castle nut M22 X 1,5	146049	3,31 €	56			

57	Coil spring above steering shaft	146094	16,23 €	60	Drag link 190,b,SL 5501502->, LHD	146040	74,28 €
60	Drag link 190SL ->5501501, LHD	146041	186,43 €	61	steering dampener, after 5501502	146080	283,14 €
61	steering dampener, up to 5501501	146081	475,31 €	71	Split pin 2,5 x 25, fits crown nuts	133007	0,24 €
71	Castle nut M10X1, long shape, early joint	133006	2,38 €	75	seering linkage		
76	Locking tab ring	199005	3,30 €	78	Idler arm nut	146026	49,66 €
79	Seal ring @ steering link support	146822	8,25 €	80	Idler arm bushing	146023	31,25 €
					Cap for grease nipple, red	333048	0,65 €

47 Fuel Tank

47 Fuel Tank

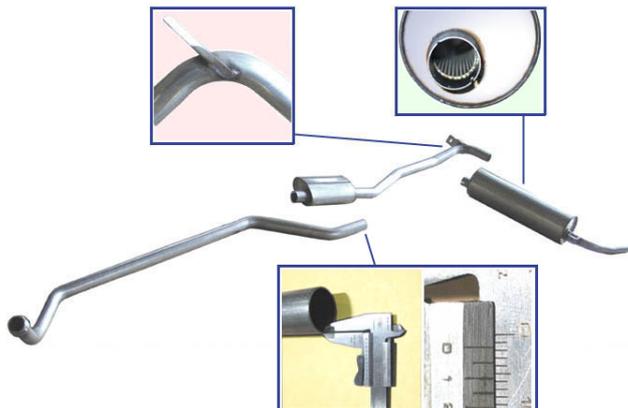


Filter housing late = from VIN 7502461 (identification mark: paper filter insert) - next to the components of the filter the thread of the hose was changed (just before with VIN 7501826). VIN 019283 (11/1960) came with tank ventilation (with components 35 etc. instead of a venting tank cap). SLS recommends this variant when installing a new tank. Tank cap with star and original closure (suitable for door locks) could be ordered with the presentation of vehicle papers in the MB-Classic-Center.

1	Fuel line, male threads	147012	76,04 €	1	Fuel line, female threads 7501824	147013	79,09 €
2	fuel hose 57->, see illustration	147926	81,99 €	2	Fuel hose, 2 female threads, ->57	147027	27,99 €
3	Fuel and brake line clamp, for 30mm rubbers	147014	2,32 €	4	Rubber prot. 3 pipes in clamp	147839	2,59 €
4	Rubber guide	147038	3,76 €	5	Fuel filter housg. 190SL`57-> "large"	147005	531,50 €
5	Kraftstoffumschalter früh, Repro	147825	523,60 €	5	Fuel tap & filter, late (large)	147105	399,99 €
6	Gasket, fuel tap 7502461->	147088	3,72 €	6	Gasket, fuel tap ->7502460	147089	8,56 €
8	Shell, afte) 7502460	147004	60,99 €	12	Filter element, throw away paper	147001	13,07 €
13	Gasket, filter element to housg late	147085	1,36 €	14	Gasket, filter cup 7502461->	147080	2,14 €
14	Gasket, filter cup ->7502460	147081	4,86 €	16	Reserve rod	147075	44,14 €
17	Grommet for front panel	299808	0,77 €	18	Knob for wiper switch...	154044	49,98 €
19	Spring clip	147029	29,90 €	20	Fuel tank,019282->,with breather, 64	147003	959,27 €
21	N/A : Drain plug	147055	49,80 €	22	Alu seal ring M26, e.g. fuel tank	147056	0,95 €
23	Fuel sender, 2-pole, 190SL,Pontoon,Repr	154000	116,99 €	24	Gasket for fuel sender 1956-1972 A1104710180	147015	1,48 €
25	Seal ring f. bolt 705004	705005	0,68 €	26	Grommet, fuel filler neck, 190SL	147717	27,56 €
27	Seal ring @ gas cap	247010	2,98 €	28	Cap, ventilation characteristics unknow	147807	203,47 €
29	Retainer, fuel tank	147822	66,94 €	31	Fuel tank bracket, wide design, see illustration	147022	69,85 €
35	Vent pipe (fuel breather)	147068	59,15 €	36	Grommet, tank vent pipe through carbody	147070	6,52 €
38	Clamp,small,e.g.hydraulicpipe	229027	3,65 €	39	1m. Fuel hose 7,5x13,0 flat surface	247007	8,50 €
40	Grommet, two hole, 5/24, for fuel tank ventilation, rest	199028	5,26 €	40	Grommet, 4,5/10mm, cable@wheelarch	182005	2,53 €
41	1m Fuel hose tank->pump 11/17mm, fabric	247005	10,41 €	41	1 m Fuel hose, 4 x 10	247046	4,76 €
42	1m rubberhose, e.g. ventilation	147067	6,76 €	43	Rubber sleeve	243859	2,38 €

49.b Stainless Steel Exhaust 190SL

49.b Stainless Steel Exhaust 190SL



SLS EDELSTAHL - AUSPUFFANLAGEN

SLS-Edelstahlauspuffanlage

190SL ab Fgst. 653210 149011
(bei Anpassung des Auspuffkrümmers auch für frühere Fahrzeuge verwendbar)

Montageset

190SL Komplett-Montageset 149012
(Aufhängungsteile, Schellen, Dichtung, Dreilochflansch)

Abweichende Zusammenstellungen können wir Ihnen auf Nachfrage anbieten.

Eine empfehlenswerte Alternative zu den erhältlichen konventionellen Stahl-Auspuffanlagen möchten wir Ihnen mit den weiter verbesserten SLS-Edelstahl-Produkten anbieten:

- Rohre und Topfwandungen sind aus 1,5mm starker Edelstahllegierung gefertigt, dessen Güte einen guten Kompromiß aus Elastizität und Korrosionsbeständigkeit bietet. Das Material verhindert Sprüdrisse sowie Durchrostungen und Resonanzbildung.
- Rohrführungen und -durchmesser sind an die Original-Konstruktion angelehnt und ermöglichen den richtigen Abgasrückstau und Klangcharakter.
Die Rohrbiegungen haben keine nennenswerten Falten oder Verengungen.
- Sämtliches Original-Montagematerial kann verwendet werden.
- Zurückgestellte Topf-Stirnwände bieten Schutz vor Spannungsrissen.
- Vor dem Verlust von Bedämpfungsmaterial schützt eine spezielle Füllung und ein Rückhaltesystem.
Sorgfältige Verarbeitung auch innerhalb der Auspufftöpfe beugt unangenehmen Überraschungen vor.
- Die Herstellung erfolgt computergestützt und unterliegt ständiger Kontrolle, so daß bestmögliche Maßhaltigkeit gegeben ist.
- Das unkomplizierte Verschellen ermöglicht spätere Teil-Demontage und erleichtert viele Arbeiten am Fahrzeug.

Der Lieferumfang ist jeweils eine komplette Auspuffanlage ab Krümmer-Ende; zu den Auspuffanlagen empfehlen wir die passenden komplett-Montagesets und unsere Montageanleitung.
Alle weiteren Fragen beantworten wir Ihnen gern telefonisch.
Lassen Sie sich auch über unsere günstigen Versandwege informieren.

Rubber hanger, exhaust 190SL,
pontoon

[149048](#)

5,65 €

149011

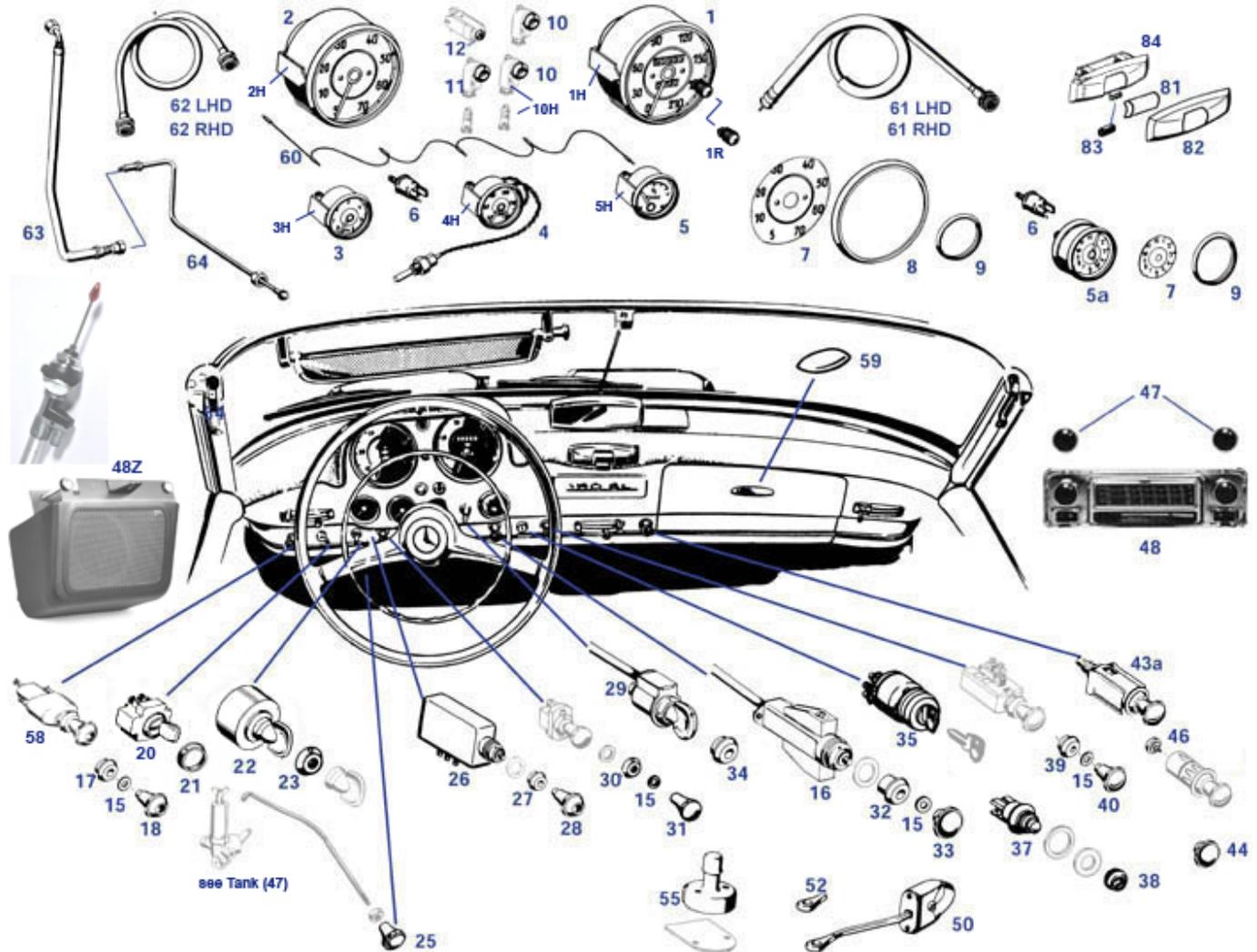
Exhaust manifold from 6503210,
A2-steel repro

[114817](#)

2.695,35
€

54.a Electric Equipment (Dashboard)

54.a Electric Equipment (Dashboard)

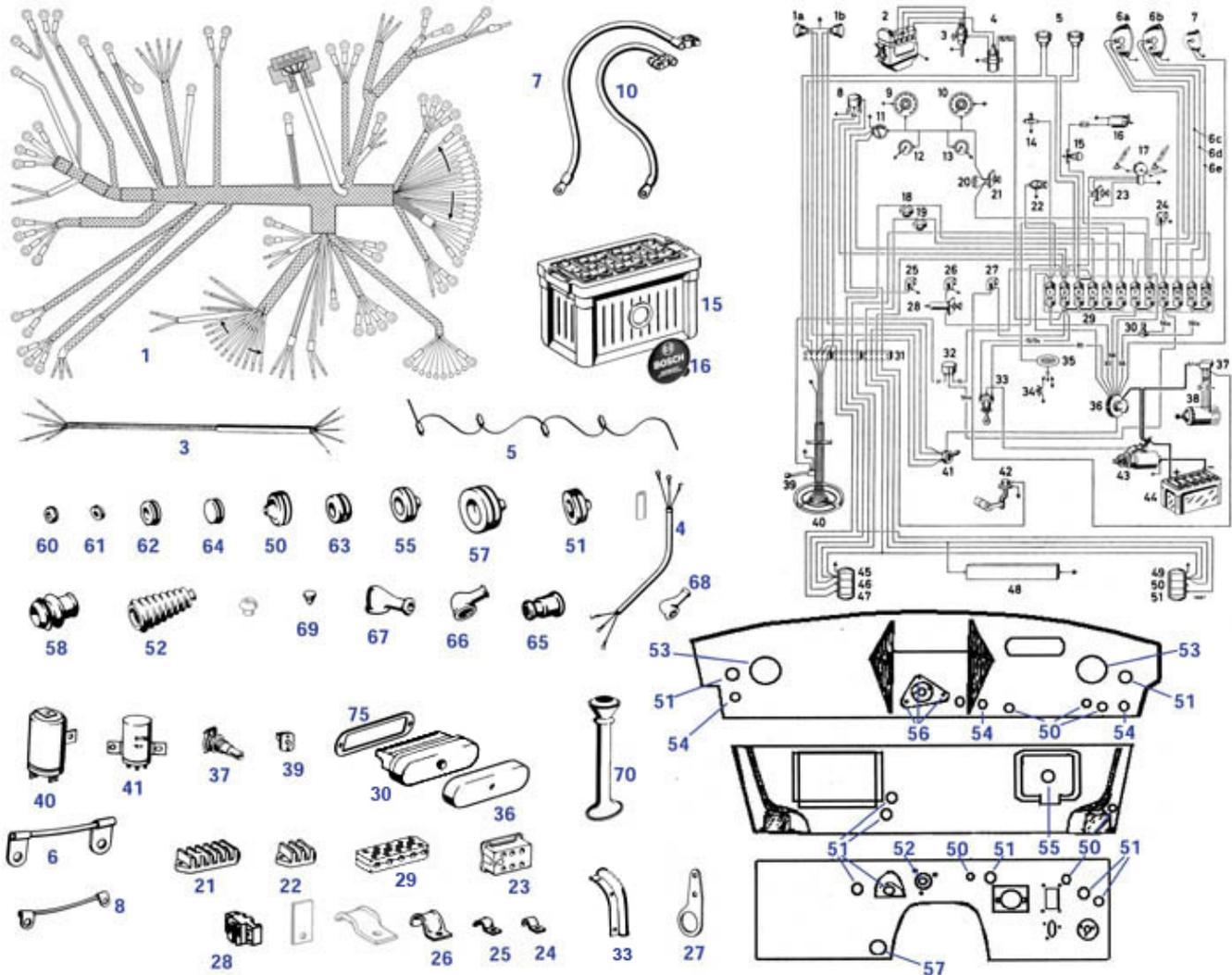


M8FN	Rosette 190SL am Bedienknopf	154029	39,87 €		fuel gauge, original VDO, overhauled	154230	654,50 €
	Plastic cap for steerg-column ign-switch	146051	51,48 €		Bracket / Clamp for watch	154216	170,93 €
Uhr	Chrome milled nut, long, e.g. Clock	154109	27,97 €		Upgr. hazzard flasher Hella with wiring	982834	150,78 €
	pigtail harness fits emergency switch 982034	982035	49,03 €	Uhr	Clock, mechanical, overh. 1st series	154100	2.631,39 €
handle	Alu handle, hood release	188019	78,00 €	1h	Bracket / Clamp Speedometer first version, see photo	154210	276,84 €
1h	Bracket / Clamp Speedometer; second version, see photo	154211	231,76 €	2h	Bracket / Clamp tachometer	154212	283,28 €
3h	Bracket / Clamp oil	154218	115,89 €	3	Oil press gauge 190SL, REPRO	154146	227,48 €
4	Temp.gauge repro, Celsius	154135	299,99 €	4	Temp.gauge repro, Fahrenheit	154136	298,99 €
4	Gewindestutzen zB Messkapillare in Kopf	120037	27,20 €	4h	Bracket / Clamp for themp gauge	154215	115,89 €
5h	Bracket / Clamp for fuel	154217	115,89 €	5	Fuel gauge, Repro	154130	227,48 €
6	light bulb 12V/2W, BA9s, eg. Instruments	254033	2,20 €	6	bulb holder BA9s fits lamp 2W	154048	6,55 €
7	Dial face, water temp.gauge (D)	154099	60,57 €	7	Dial face, fuel gauge (D)	154098	66,15 €
7	Dial face, oil press gauge, German	154097	65,55 €	7	Dial face, tachometer, RPM+UPM	154093	160,00 €
7	Dial face, speedom.(no counter slot)	154094	222,99 €	8	Glass, rev counter	154081	29,00 €
8	Chrome ring, speedo/rev.counter	154091	65,45 €	8	Chrome knob, trip-ctr-reset	154083	57,89 €
8	Glass, speedometer 190SL	154082	29,75 €	8	Chromring für Instrument groß	154191	35,56 €
9	Chrome ring, small instruments	154092	24,38 €	10H	Repro Generator control lamp complete,	154039	308,90 €

10	Escutcheon w. red lens	154035	59,86 €	11	Repro		
12	Hi-beam indicator lamp escutcheon	154036	63,49 €	16	Escutcheon w. white lens	154038	59,86 €
17	Escutcheon for switch (wiper/blower)	154061	49,98 €	18	Choke/hot start wire Assy, overhauled	130010	657,95 €
20	Clearance light switch	154042	295,00 €	21	Chrome knob, heater fan, amber lens	154072	55,34 €
22	overhauled OEM headlight switch W121	154133	977,61 €	23	Escutcheon, park light switch	154034	49,98 €
23	Rep hub/pinion, plastics, for light switch	154158	42,64 €	23	Escutcheon, main light switch	154033	49,98 €
23	Rep hub/pinion, plastics, for light switch	154829	29,89 €	25	Rep hub/pinion, plastics, for light switch	154858	26,79 €
27	Escutcheon for '69 hazard switch	154063	49,98 €	28	Knob for wiper switch...	154044	49,98 €
29	Wire 190SL->7501282	130060	684,70 €	29	Knob to adapt late hazard relay switch	154073	55,34 €
30	Escutcheon, cockpit light switch	154028	49,98 €	31	Chrome knob, ign-adjuster (up to..)	130061	59,00 €
32	Escutcheon, choke cable	154027	52,96 €	34	Knob, cockpit light switch	154068	49,98 €
35	Starter key switch, simplified	154003	47,97 €	37	Escutcheon for ignition timing cable	154026	49,98 €
37	Chrome button for starter	154802	309,40 €	38	Chrome starter knob/switch	154002	74,09 €
38	Escutcheon, starter knob	154832	49,98 €	43a	Escutcheon, fits starter knob "M16"	154032	49,88 €
43a	Cigar lighter, see picture	182847	194,22 €	44	Chrome knob M3 with cigar lighter, see picture	154078	70,50 €
44	Knob, cigar lighter early, M4	154071	54,92 €	46	Knob, cigar lighter late, M5	154043	49,98 €
47	Knob, radio	154050	86,75 €	48Z	Spiral element, fits genuine cigar lighter	154049	18,49 €
48Z	Antenna, manual, red knob	299967	101,95 €	48Z	Speaker box 190SL, wood, leather, black	168017	519,99 €
48Z	Speaker box 190SL 40W, metal housing	168016	478,48 €	50	Speaker box 190SL, wood, leather, color customized	168018	519,99 €
52	Knob 'ivory', smaller ID	154814	77,59 €	52	Rep chrome lever high beam switch	154019	194,55 €
55	foot operated switch	454012	32,68 €	58	Knob 'ivory' high beam switch (fits orig)	154014	71,69 €
59	Glove box handle	168878	91,25 €	59	Pull switch for blower, 1-stage, with ring, without button	154841	278,09 €
60	Instrument lighting harness	154004	34,99 €	61 LHD	Glove box handle	168078	114,00 €
61 LHD	Flex.drive shaft, speedom. LHD aftm.	154010	39,26 €	61 RHD	Rubber grommet 10/35, flex-shaft/frame	199026	8,68 €
62 LHD	Rev counter cable 190SL LHD Repro	154820	58,83 €	62 LHD	Flex.drive shaft, speedom. RHD	154015	48,75 €
62 RHD	Flex.drive shaft, tachom. RHD	154022	68,72 €	63	Flex.drive shaft, tachom. LHD aftm.	154020	38,35 €
63	Hose, eng.to gauge-pipe, late M10-M8 445m	154059	49,40 €	64	Oil press hose early style (M10)	154957	52,31 €
64	Oil pipe LHD 59-> M8	154065	85,09 €	64	Oil pipe RHD 59-> M8	154066	121,39 €
64	Oil pipe RHD ->59 M10	154062	128,92 €	81	Oil pipe LHD ->59 M10	154064	77,98 €
82	Cover, map light	182065	132,99 €	83	Lens, interior light	182066	12,50 €
					Plastic knob for light chrome cap	182067	36,89 €

54.b Wire Set

54.b Wire Set



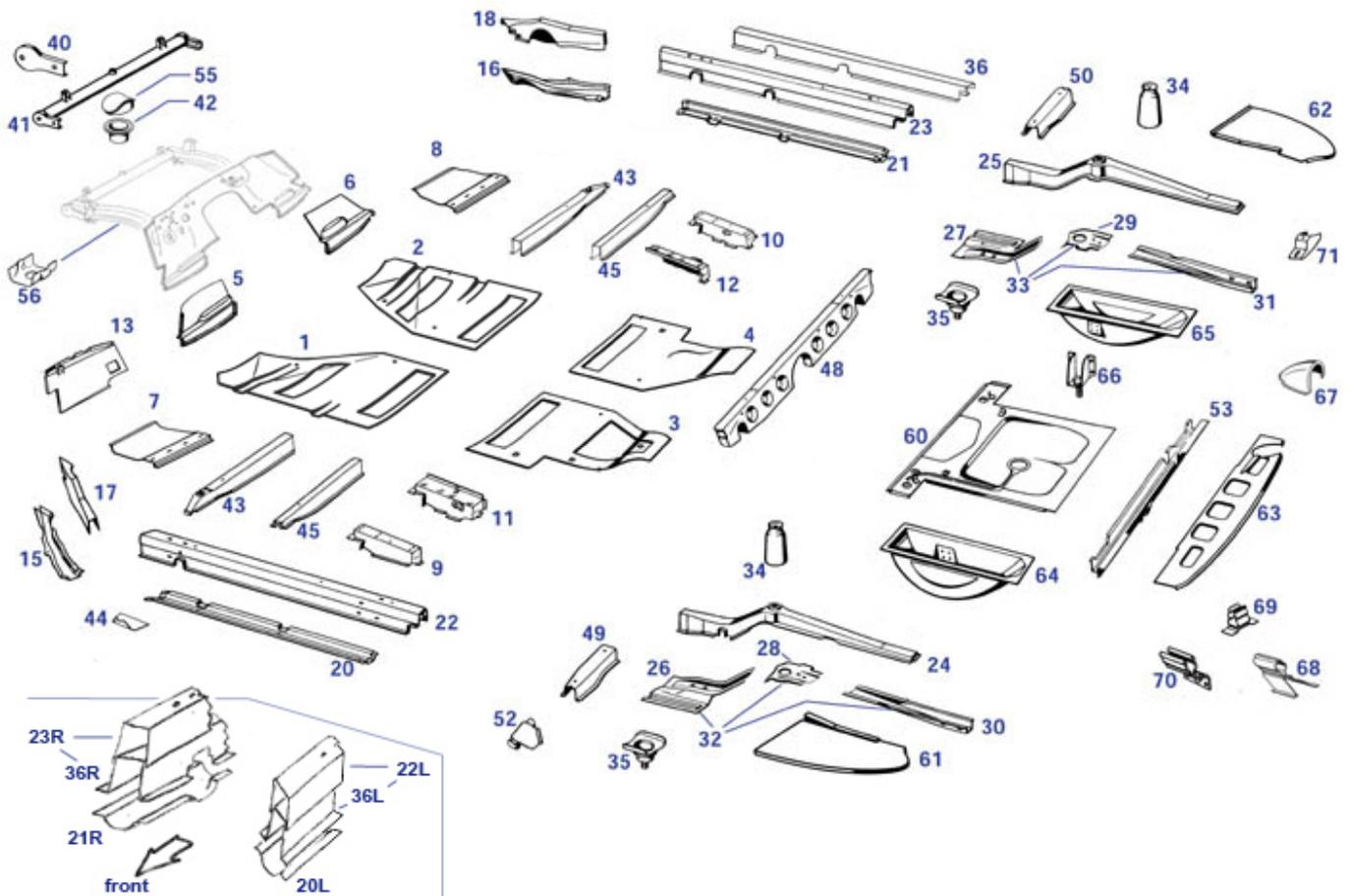
o.A.	Tail harness, w/ FN plate lights 6-pole housing (plastic base & cap), no metal bushings contact bushing 4mm brass, silver plated	154550 254180 254855	332,00 € 8,45 € 1,40 €	o.A.	bulb holder BA9s fits lamp 2W Rubber cap inner side 15mm	154048 215015	6,55 € 1,46 €
1	Main cable harness RHD	154535	1.350,00 €	o.A.	Tail harness w/late plate lights	154555	284,99 €
1	Main cable harness 018972>	154520	1.299,00 €	1	main wire harness RHD up to 8501845	154525	1.309,00 €
1	Tail harness RHD early	154565	212,42 €	1	Main cable harness 8501846 to 018971	154510	1.350,00 €
3	Cable harness	154017	124,95 €	1	Main cable harness >8501845	154500	1.350,00 €
5	Instrument lighting harness	154004	34,99 €	4	Generator to V-reg. harness	154008	62,00 €
6	Starter ground cable to clutch housing	154006	36,99 €	6	A1865400341 Starter to front panel grou	154007	49,17 €
7	Ground-wire, battery -> engine RHD	154597	79,99 €	7	Neg.-batterie cable	154598	83,90 €
10	Starter wire (+)	154599	105,90 €	8	Ground strap at univ. joint	146089	14,93 €
21	5-pole block terminal	154054	55,16 €	16	Bosch label f. battery	154084	9,40 €
23	Sold on sleeve 4mm	254055	2,69 €	22	2 pole terminal	154052	44,85 €
24	clamp, ca. 25mm, wires	199023	7,32 €	23	as long as stock lasts! el. connector (fem) 6-pole, kit,	254984	27,67 €
25	Clamp small, e.g. bowden cable	199011	5,58 €	24	Clamp 5mm e.g. brake lines	143038	0,50 €
27	Bracket, starter wire (+)	115048	47,60 €	26	Clamp, e.g. oil-pipe, wires	199025	4,22 €
29	5 pole threaded terminal, repro	154753	19,99 €	28	Socket, fits Bilux-bulb, classic style	182041	6,69 €
				29	5 pole threaded terminal similar	154053	63,49 €

33	A1205460081 Covering, wire in trunk	169154	18,39 €	36	0005460641 25Amp fuse, short version, NOS	258991	5,69 €
36	Bolt, fuse box cover	182059	6,19 €	36	Fuse box cover "Bakelit"	182029	64,25 €
37	Plug socket 12V/16A, universal, non-MB, non-Boschl	554867	8,83 €	37	Con.housing, 2 pole flat	254103	0,54 €
39	Door switch, Reproduction	182821	26,00 €	39	Rubbershim @ door switch	182121	12,50 €
39	A0008210252 Door switch, version flat poles	182021	28,98 €	40	Turn signal transmitter (metal), Bosch	182001	76,90 €
41	Pulse genarator, flat connectors, plastic housg, Hella	154018	30,29 €	41	Sticker "Blinkgeber senkrecht einbauen"	179026	5,70 €
50	Two hole grommet,heater & choke cables	130005	3,05 €	50	Rubber grommet 3/18, 121,113,107 and other	199010	1,67 €
50	Grommet for front panel	299808	0,77 €	51	Rubber grommet 11/30, bulkh(190),107,..	299017	1,59 €
52	Accelerator rod bellows	130100	8,68 €	54	Grommet 3 cable 3/20	199008	1,23 €
55	Rubber grommet	299005	2,59 €	56	Washer, No./Licence plate	188098	2,82 €
57	Rubber grommet 10/35, flex-shaft/frame	199026	8,68 €	57	Rubber grommt 10/42, starter/generator wire	199014	2,75 €
58	Rubber sleeve for headlight harness	154080	8,39 €	59	Rubbergrommet, headlight bucket	182857	16,78 €
60	Grommet, 4,5/10mm, cable@wheelarch	182005	2,53 €	61	Rubber grommet 10/15, taillight bucket 190SL, 107	199020	1,08 €
62	Grommet for Fuel Pump Wiring	299018	2,53 €	62	Rubber grommet, rear wire harness, 16/22	199018	2,18 €
63	Rubbergrommet 8/26, booster/battery 190SL	199081	3,61 €	64	Rubber, locking washer 20mm	399016	1,31 €
65	Prot.sleeve ign.leads -> distributor	215815	2,73 €	66	Cap, starter terminal	154056	5,71 €
67	Rubber Boot on Starter Motor and Alternator	254126	7,16 €	67	Rubber cap, starter wire, small	754026	6,14 €
68	Rubber dust boot (at Gen. .)	254051	3,25 €	69	Rubber buffer 5mm,121,113,10	298066	0,89 €
70	Rubber tube grommet @ lamp buckets	154860	31,82 €	75	Rubberpad, fusebox/bulkhead	182009	11,65 €

61 Chassis Raw Floor & Panelling

61 Floor Panelling

61 Floor Panelling

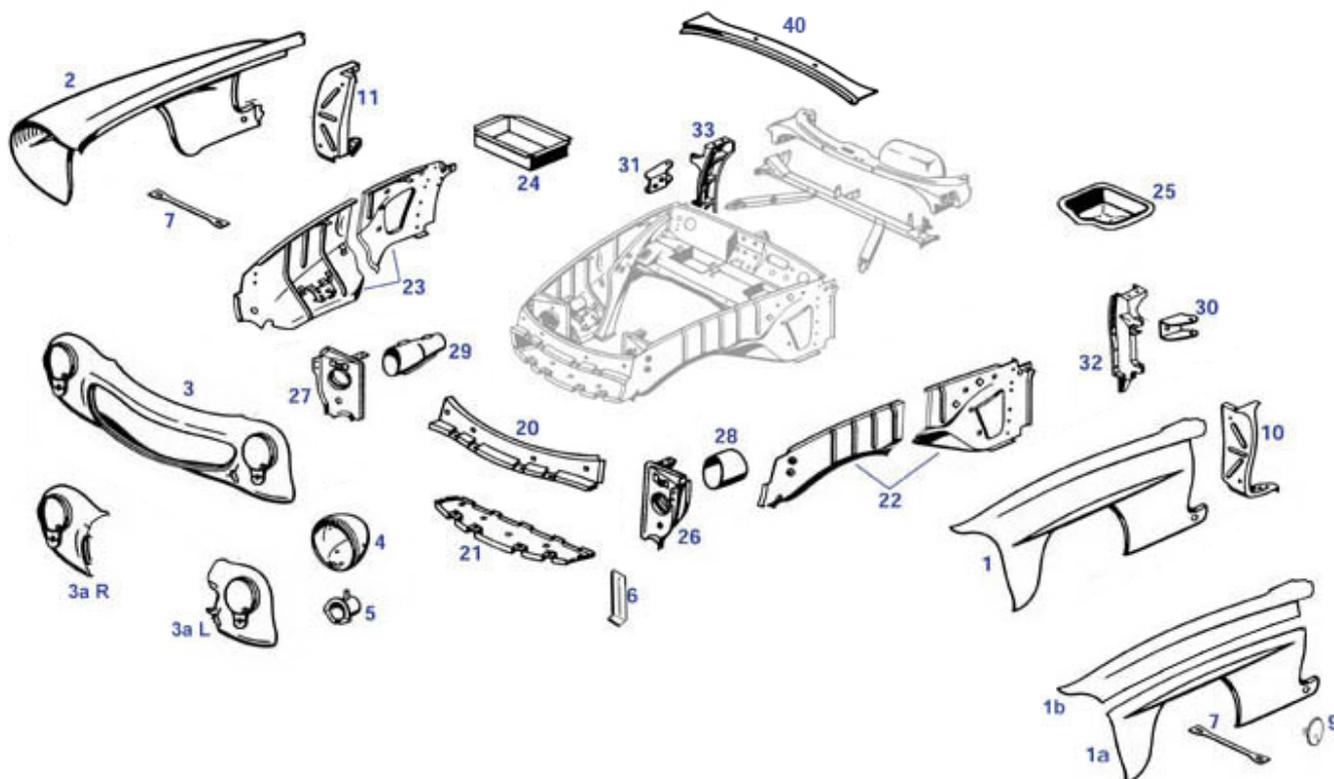


	set of 4 seat supports	161865	588,34 €		Mounting bolt	150708	13,49 €
nut if missing	Vierkantmutter in Blechlasche	161259	2,93 €	1	Floor panel, front, Lt.	161010	139,13 €
1	Floor panel front left W121 & Ponton A1216160167	161011	220,15 €	2	Floor panel, front, Rt.	161020	139,13 €
2	Floor panel front right W121 & Ponton A1216160267	161021	220,15 €	3	Floor, rear. Lt.	161045	164,17 €
4	Floor, rear. Rt.	161055	164,17 €	5	Pedal floor, partial, Lt.	161090	112,99 €
6	Pedal floor, partial, Rt.	161100	112,99 €	7	Upper kick floor front left	161190	71,91 €
7	Screw 3,9	299279	0,27 €	8	Upper kick floor frt Rt	161200	71,91 €
9	Seat support, outer, Lt.	161850	153,21 €	9	Seat support, outer, Lt.	161250	161,00 €
10	Seat support, outer, Rt.	161280	161,00 €	10	Seat support, outer, Rt.	161880	153,21 €
11	Seat support, inner, Lt.	161860	153,21 €	11	Seat support, inner, Lt.	161260	166,66 €
12	Seat support, inner, Rt.	161870	153,21 €	12	Seat support, inner, Rt.	161270	166,66 €
13	Left False Floor under Pedals (LHD)	168150	189,25 €	13	pan head tapping screw zinc plated 3,9 X 13	188889	0,25 €
15	Rail cap, front. Lt.	161070	175,00 €	16	Rail cap, front. Rt.	161080	175,00 €
17	Side supp top Lt.	161075	162,27 €	18	Side supp top Rt.	161085	162,27 €
20	Side member lower rail cap. Lt.	161110	122,40 €	21	Side member lower rail cap. Rt.	161120	122,40 €
22	Side frame rail, upper Lt., both upper shells assy	161170	311,98 €	23	Side frame rail, upper Rt., both upper shells assy	161180	311,98 €
24	Side member, top rear left	164245	904,78 €	25	Side member, top rear, Rt.	164255	904,78 €
26	Forward 1/3 of item 161145 Lt.	161130	219,50 €	27	Forward 1/3 of item 161155 Rt.	161140	219,50 €
28	Center section of item 161145 Lt.	161135	158,60 €	29	Center section of item 161155 Rt.	161136	158,60 €
30	RR frame member LH, lower end section	161150	209,04 €	31	RR frame member RH, lower end section	161160	209,04 €
34	Cup for shock absorber mounting	161166	260,90 €	35	Split pin 3x36	133059	0,18 €
35	Support for rear axle strut	161210	31,89 €	36R	Rep.section rail, Rt., intermediate shell	161181	187,82 €
36L	Rep.section rail, Lt., intermediate	161171	187,82 €	40	Front Bumper Bkt. attachment	161311	53,19 €

	shell					
41	Cross tube, front	161310	257,40 €	42	Step bearing	161030 187,59 €
43	Cross member, front jack port	161330	205,12 €	44	Small connection plate near jack ports	161335 7,24 €
45	Cross member, seat, front support	161240	71,11 €	48	Rear seat area forward supp. Lt.+Rt.	161410 795,90 €
49	Frame member, Lt. for Jack	161360	53,00 €	50	Frame member, Rt. for Jack	161370 53,00 €
52	Jack point, rear	161350	52,76 €	53	Cross member trunkfloor,w/o tank bracke	161400 283,24 €
53	Cross member trunk floor,w.tank bracket	161405	252,35 €	53	Support, fuel tank @ cross member	161401 40,40 €
55	Spacer cup 6,5mm	161326	149,58 €	55	Spacer cup 2,5mm	161322 139,15 €
55	Spacer cup 1,5mm	161321	106,78 €	55	Spacer cup 7,5mm	161327 152,21 €
55	Spacer cup 4,5mm	161324	155,52 €	55	Spacer cup 9,5mm	161329 157,48 €
55	Spacer cup 8,5mm	161328	154,84 €	55	Spacer cup 5,5mm	161325 146,97 €
56	Support	161320	203,44 €	60	Trunk floor, center section	161220 369,41 €
61	Side floor, 190SL trunk, left	161005	103,61 €	62	Side floor, 190SL trunk, Rt.	161006 103,61 €
63	Trunk floor, rear extension	161230	196,55 €	64	Spare tyre well Lt. simplified	161291 471,64 €
64	Spare tyre well Lt.	161290	575,00 €	65	Spare tyre well Rt. simplified	161301 566,59 €
65	Spare tyre well Rt.	161300	575,00 €	66	Gas tank mounting bracket	161380 20,46 €
67	Cover, for gas tank neck	161390	91,00 €	68	Tire jack holder 190SL	164043 130,00 €
69	Lug wrench holder	164041	15,33 €	70	Jack/tool support	164054 126,00 €
71	support, near 3rd exhaust mount	161490	60,56 €	98	Rubber grommet 10/35, flex-shaft/frame	199026 8,68 €

62 Panelling (Front)

62 Panelling (Front)

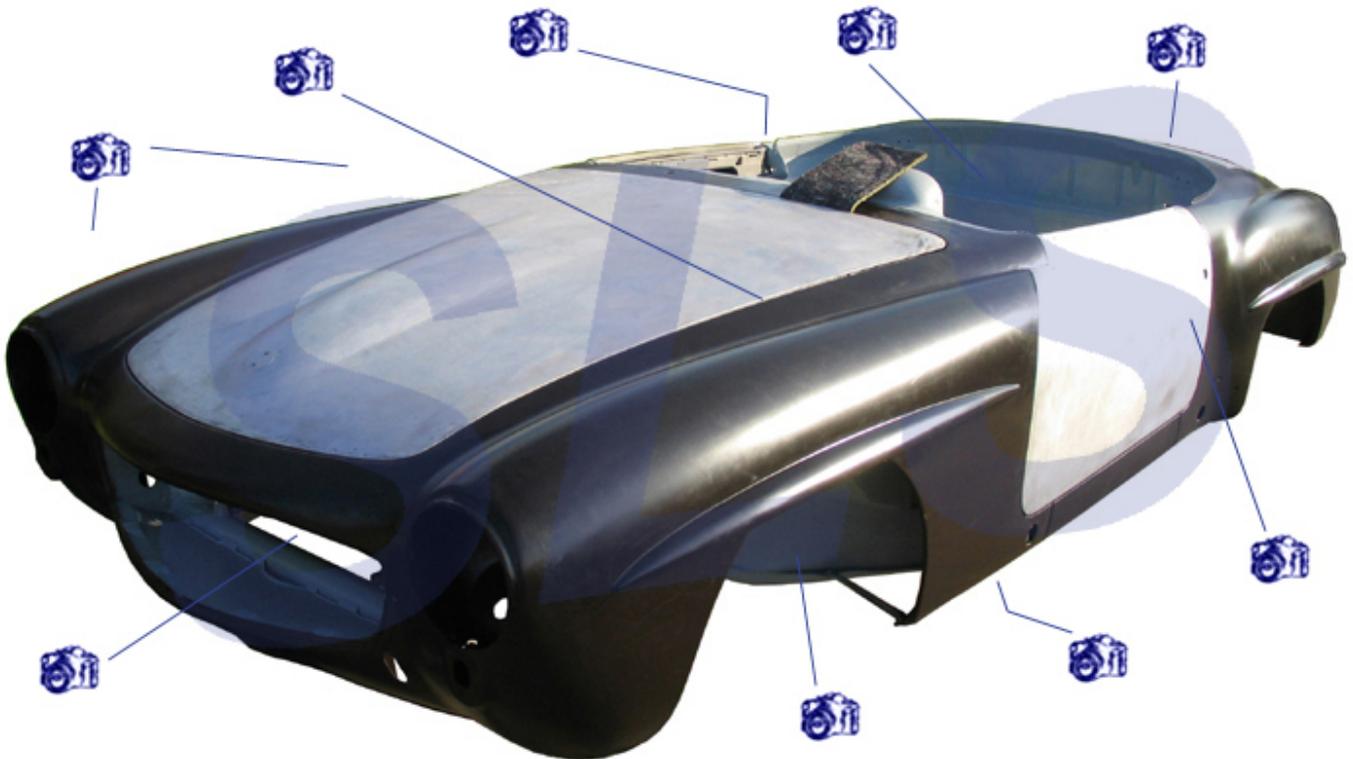


	Mounting bolt	150708	13,49 €		Nose panel 190SL, Reproduction	162830 1.181,21 €
	W/S glastransp. incl. box(Germany)	967999	121,25 €	o.a.	Bonnet still rack	188747 35,16 €
o.a.	1 pair inner splash wings s.steel	188054	178,50 €	1b	Fender upper rep.-section Lt.	162009 371,99 €
1a	Patch panel, front left .fender, 3/4 wing	162011	551,09 €	1b	Fender upper rep.-section Rt.	162019 371,99 €
1a	Patch panel, frt.fender Rt., '3/4wing	162021	551,09 €	1	Cardbox for large spareparts, 170x60x80cm	967993 25,82 €

1	Frt fender LH, Repro	162810	1.603,43 €	2	Frt RH fender, Repro	162820	1.603,43 €
3	Nose panel 190SL, Reproduction, raw=unpainted	162730	1.056,74 €	3a L	Nose panel rep.-section left	162035	712,81 €
3	Nose panel 190SL, Reproduction	162030	1.118,30 €	4	Headlight bucket 190SL, Ponton	162840	148,31 €
4	Headlight bucket 190SL, Ponton	162040	123,93 €	5	Parking light buckets	162033	39,04 €
6	Inner nose panel support	162022	15,33 €	7	Fender strut	162015	23,79 €
9	Jack hole cover A1216900027	169110	33,50 €	10	Connection plate, Lt.	162050	150,80 €
11	Connection plate, Rt.	162060	150,80 €	20	Clip nut	188073	0,49 €
20	Inner plate, top, front	162025	192,39 €	21	Inner plate, bottom, front	162026	190,32 €
22	Wheel arch pan, front left. in 2 pcs	162027	1.401,09 €	22	Inner wheel arch frt. LH, not cutted	162037	871,84 €
23	Inner wheel arch frt RH, not cutted	162038	909,99 €	23	Wheel arch pan, Rt. in 2 pcs	162028	1.401,09 €
24	Battery box	161340	128,44 €	25	Brake booster tray	162070	165,01 €
26	Reinforcement bracket 190SL, Lt.	162029	291,45 €	26	Rubber sleeve for headlight harness	154080	8,39 €
27	Reinforcement bracket 190SL, Rt.	162031	291,45 €	28	Air duct frt left metal tube	183031	39,39 €
29	Air duct frt Rt, metal tube	183032	181,07 €	30	Door stop support Lt.	162052	38,22 €

64.i Info raw Bodyshell/Chassis w. detailed pics

64.i Info raw Bodyshell/Chassis w. detailed pics

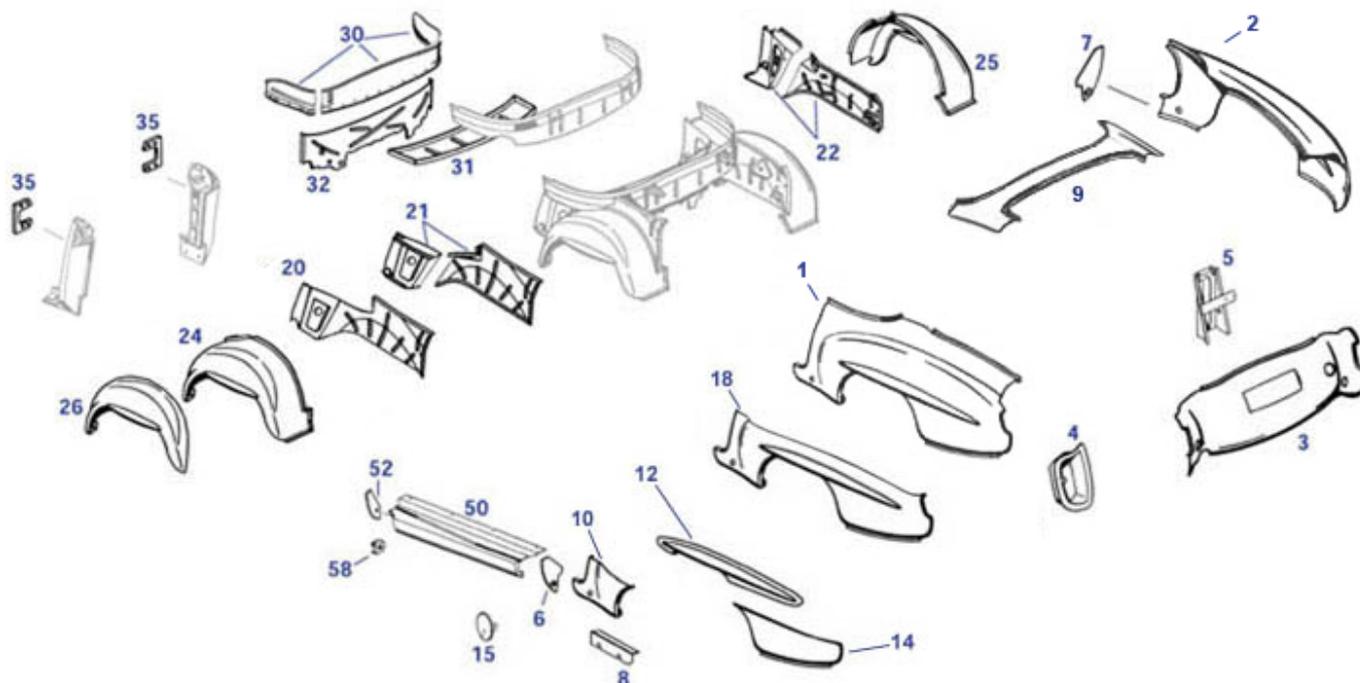


In unregelmäßigen Abständen kann eine Rohkarosserie in unserem Ersatzteilsortiment angeboten werden. Die Info-Tafel zeigt Details zu einem möglichen Lieferumfang und soll weiterhin helfende Darstellungen bereitstellen, klicken Sie dazu auf die Kamera-Symbole.

Irregularly a bodyshell is possible to appear in our sparepart selection. The info panel is showing details about the scope of delivery and furthermore it's showing pictures of it by clicking on the camera symbols.

64 Panelling (Rear)

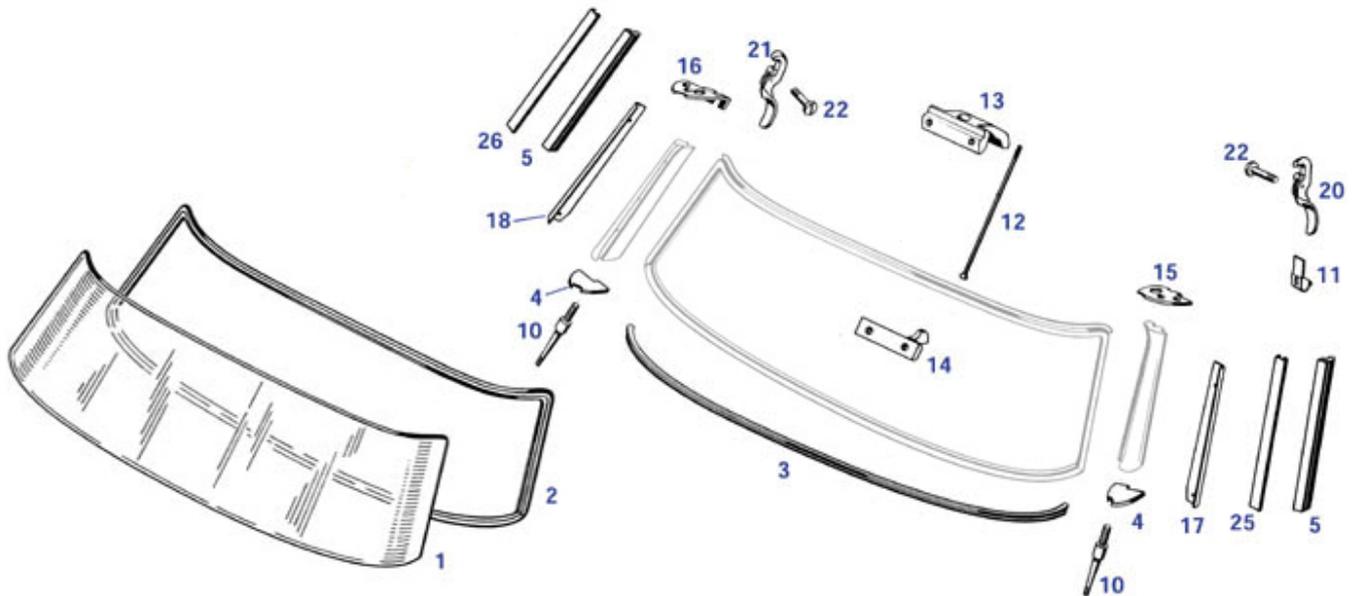
64 Panelling (Rear)



	W/S glasstransp. incl. box(Germany)	967999	121,25 €		Used B-pillar 190SL, left	164130	1.548,75 €
1	Rear wing LH repro	164810	1.404,00 €	1	Cardbox for large spareparts, 170x60x80cm	967993	25,82 €
2	Rear wing RH repro	164820	1.404,00 €	3	Rear panel 190SL, Repro	164840	726,96 €
3	Licence plate underlay, stainless steel, inner width 46cm	988788	29,75 €	4	Tail light bucket 190SL	164030	82,09 €
4	Rubber grommet 10/15, taillight bucket 190SL, 107	199020	1,08 €	5	Tail panel center support 190SL	164042	122,07 €
6	Cover plate, front fender 190SL, L	164012	18,37 €	7	Cover plate, front fender 190SL,	164022	18,37 €
8	Filler panel, 1/4 to frame L/R	164015	17,52 €	9	Center panel upper, rear	164110	371,27 €
10	Stone guard patch panel 190SL, Lt.	164001	299,12 €	10	Stone guard patch panel 190SL, Rt.	164002	299,12 €
12	Rear fender, eyebrow patch panel R	164004	201,74 €	12	Rear fender, eyebrow patch panel L	164003	201,74 €
14	Rear fender, lower patch panel Lt.	164005	299,12 €	14	Rear fender, lower patch panel Rt.	164006	299,12 €
15	Jack hole cover A1216900027	169110	33,50 €	18	"Rear fender patch panel "3/4" Links	164011	632,41 €
18	"Rear fender patch panel "3/4" R"	164021	632,41 €	20	Wheel arch 190SL, inner Rt. 1pce	164080	271,30 €
20	Wheel arch 190SL, inner left. 1pce	164070	271,30 €	21	Wheel arch 190SL, inner Lt. 2pce	164090	649,99 €
22	Wheel arch 190SL, inner Rt. 2pce	164100	649,99 €	24	Rear inner fender 190SL, left side	164050	343,18 €
25	Rear inner fender 190SL, Rt.	164060	343,18 €	26	Rear inner fender patch panel, Rt.	164061	294,87 €
26	Rear inner fender patch panel, Lt.	164051	294,87 €	30	3pcs. storage cover ALU	161036	654,50 €
31	Bottom, ST storage	161037	241,90 €	32	Top case front panel	161035	415,21 €
35	Threaded door catch support	164055	72,91 €	50	Rocker panel, Lt. Repro	183010	179,99 €
50	Rocker panel, Rt. Repro	183020	179,99 €	52	Rocker panel spacer shim 190SL	183022	10,28 €
58	Clamping Bolt M6 for square bodypanel holes	188036	7,90 €	58	Cage nut M6, no locking	188835	1,90 €

67 Windscreen

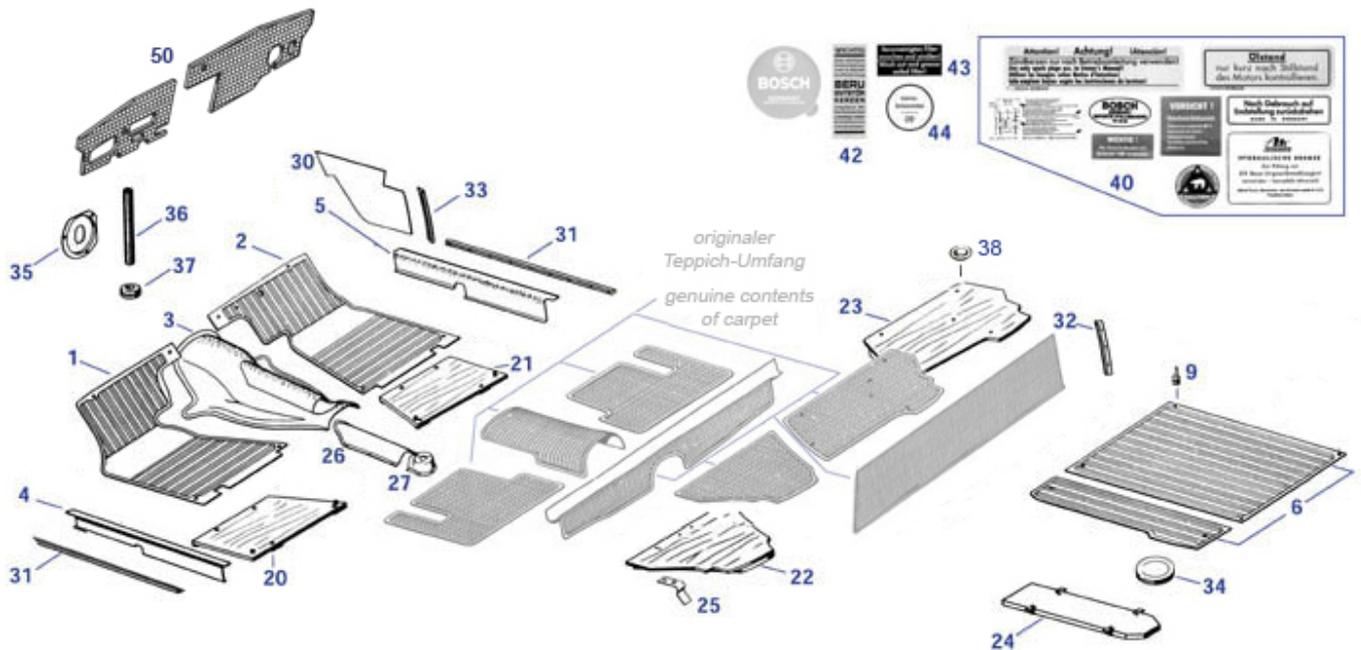
67 Windscreen



	countersunk head screw M5 X 16, high gloss chrome plated	167862	4,99 €	1	W/S glasstransp. incl. box(Germany)	967999	121,25 €
1	Windshield 190SL, Clear	167809	367,70 €	1	Windshield 190SL Sekurit, Clear	167009	420,00 €
2	Seal windshield 190SL OEM-Quality	167020	143,00 €	2	190SL W121 Front Windscreen Weather Seal	167820	102,07 €
4	W/S base pad, rubber, repro	167045	3,93 €	5	Seal, door glass @ a-pillar Lt. or Rt.	172003	17,85 €
5	Seal, door glass @ a-pillar Lt. or Rt.	172703	7,08 €	6	Used W/S pillar Lt.	167070	238,00 €
11	Leaf spring, hood lever at A-pillar	177045	24,85 €	12	W/S center tension rod 190SL	167011	46,70 €
12	spoke, screen centre, as original	167911	57,73 €	13	Countersunk lens-head bolt M5, chromed	177011	1,79 €
13	Catch for center latch	167088	106,70 €	14	Chrome screw M4, e.g. wire at canvas	277052	1,79 €
14	Bracket for pull rod	167077	169,35 €	15	Countersunk bolt M5X16, industrial chrome plated	167062	0,45 €
15	Sunk screw M5 x 16, stainless	167061	2,05 €	15	Windshield post top plate, Lt.	167050	76,60 €
16	Windshield post top plate, Rt.	167060	76,60 €	17	Alu-Regenleisten 190SL links	167031	44,64 €
17	Chrome drip moulding 190SL, Lt.	167035	57,91 €	17	panelling screw, phillips, chromed	268133	1,32 €
18	Chrome drip moulding 190SL, Rt.	167034	57,91 €	20	Windshield post top hook Lt.	177030	183,80 €
20	Handle, part of hood lock, B-quality	177031	40,23 €	21	Windshield post top hook Rt.	177040	183,80 €
22	Chromed screw	177035	16,72 €	25	Profile A-pillar Lt. unchromed	172089	77,80 €
25	Chrome profile, A-pillar Lt.	172097	106,41 €	26	Screw for chrome strips	269164	0,13 €
26	Profile A-pillar Rt. unchromed	172088	77,80 €	26	Chrome profile, A-pillar Rt.	172098	106,41 €

68.a Floor mats and insulation

68.a Floor mats and insulation



As standard, all 190SL are equipped with rubber mats in the front (drivers footwells = rail-sills, tunnel, driver's and co-drivers footmats) and in the trunk (2 mats). In the rear area of the passenger compartment, Haargarn-Boucle carpet was laid. In case of equipment renewal, it may be desired to change to complete carpet design (even including trunk), the rubber mats can then no longer be supplemented.

	insulation mat set firewall and tunnel	168672	285,10 €		insulation mat set floor and rear	168673	483,44 €
	insulation mat complete set	168671	743,75 €		mounting cap foldaway seat	168880	26,62 €
1	Front foot Lt., LHD if no carpet	168100	203,92 €	2	Front foot mat Rt., LHD if no carpet	168200	203,92 €
3	Rubber mat 190SL, tunnel	168050	181,46 €	4	Rubber mat 190SL, rocker panel Left	168030	118,11 €
5	Rubber mat 190SL, rocker panel Rt.	168040	118,11 €	9	Screw, e.g. Headlamp to Wing	788081	0,88 €
9	plastic knop, boot rubbermat fixture	168305	9,98 €	20	Wooden floor, 190SL front	168110	54,48 €
22	Wooden floor, 190SL Lt. rear	168130	123,49 €	23	Wooden floor, 190SL Rt. rear	168140	146,00 €
24	Cover for Lt. spare wheel opening	161295	179,99 €	24	Set 3pieces, suitcases, leather, fits 190SL	199580	3.299,99 €
25	Spring clamp, shelf latch	168135	54,81 €	26	Cover above shift link @ tunnel	168160	296,39 €
27	Housing A1216830075	168170	355,80 €	30	countersunk washer fits e.g. screws 2,9	199021	0,51 €
30	Kick panel 190SL Lt. black	168090	40,67 €	30	Kick panel 190SL Rt. black	168080	40,67 €
30	Ctr sunk screw @ 272033/044/300/400	272034	1,44 €	31	Entrance rail, for rubber mats	172005	36,59 €
31	Entrance rail, for carpet	172006	37,00 €	32	Screw, R/C107, R113	272724	0,51 €
32	Aluminum trim at door post Rt.	168620	31,46 €	32	Aluminum trim at door post Lt.	168610	31,46 €
33	Screw for chrome strips	269164	0,13 €	33	simplified: rail LH	168095	24,34 €
33	simplified: rail RH	168085	24,34 €	34	Cover above fuel sender, plastic,black	347014	7,79 €
34	Cover above fuel sender, rubber version	147016	14,02 €	35	Pedal schaft gasket guide	168015	73,02 €
37	Rubbergrommet 8/26, booster/battery 190SL	199081	3,61 €	38	Montagehütchen Notsitz	168879	39,66 €
40	Set: 10 labels engine compartment	179030	30,64 €	41	Bosch label f. battery	154084	9,40 €
42	Label: Beru spark plugs	179029	4,76 €	43	Label: air filter box (D)	179028	4,76 €
44	Label: 'Gefrierschutzmittel'(D)	179027	4,76 €	50	Set 6 pcs felt mats inner firewall LHD-190SL	168195	300,50 €

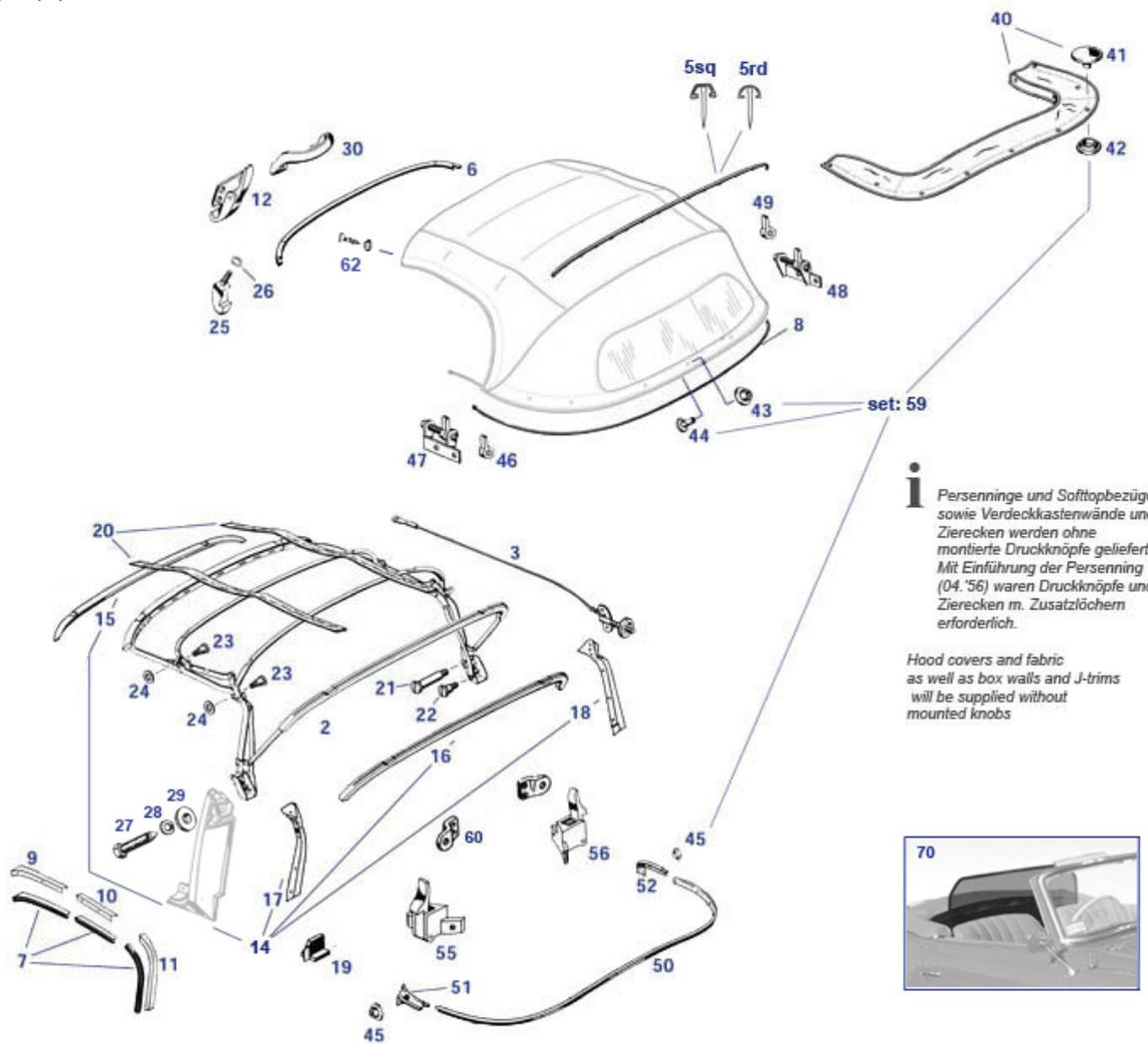
21a	Window guide rail front right	172334	166,60 €	22a	Window guide rail rear left	172331	166,60 €
22	Guide jaw, "long" (frt end of glass), fits rear, after	172832	72,24 €	22	Guide jaw short, position rear, buy and shorten 172832 instead	172833	56,70 €
22a	Window guide rail rear rt.	172332	174,99 €	23	Window lifting rail, Rt.	172034	184,69 €
23	Window lifting rail, Lt.	172035	184,69 €	24	Threaded plate	172037	7,57 €
25	Rubber sleeve for door glass stop angle	272075	2,30 €	26	Rubber washer for door glass	199007	1,09 €
27a		172038	19,31 €	28	Counter rail, front or rear, Lt., raw alu	172951	34,99 €
28	Counter rail, front or rear, Lt., black coated	172051	29,89 €	28	Counter rail, front or rear, Rt. raw alu	172952	40,15 €
28	Counter rail, front or rear, Rt., black coated	172052	29,89 €	29	Rail at door, rear, black coated	172036	28,60 €
29	Rail at door, rear, raw alu	172936	37,96 €	30	Seal, door glass @ a-pillar Lt. or Rt.	172703	7,08 €
30	Seal, door glass @ a-pillar Lt. or Rt.	172003	17,85 €	31	Seal, door glass left 190SL OEM	172001	44,03 €
31	Seal door glass, 190SL repro right	172702	16,66 €	31	Seal, door glass 190SL repro left	172701	16,66 €
31	Seal door glass right 190SL OEM	172002	44,03 €	35	Chrome profile, A-pillar Rt.	172098	106,41 €
35	Profile A-pillar Lt. unchromed	172089	77,80 €	35	Profile A-pillar Rt. unchromed	172088	77,80 €
35	Chrome profile, A-pillar Lt.	172097	106,41 €	36	Chrome profile Lt. @ softtop f.	172095	207,49 €
36	Chrome profile Rt. @ softtop f.	172094	144,61 €	37	Chrome profile Lt. @ softtop m.	172093	155,00 €
37	Chrome profile Rt. @ softtop m.	172092	164,48 €	38	Chrome profile Lt. @ softtop r.	172091	285,99 €
38	Chrome profile Rt. @ softtop r.	172090	285,99 €	40	Window regulator 190SL, Rt., Repro	172220	719,95 €
40	Window regulator 190SL, Lt., Repro	172210	719,95 €	41	Escutcheon assembly, with spring	176002	67,50 €
42	Window crank handle,(with chrome knob)	176081	213,20 €	43	Washer Kit for Mounting Window Regulator - 1237200114	272752	10,88 €
50	Escutcheon > 7500411	176045	65,99 €	52	Escutcheon, inner door handle	176855	21,00 €
52	Escutcheon, inner door handle	176055	8,39 €	53	Door open ctrl handle LT from '57	176050	223,17 €
53	Door open ctrl handle RT from '57	176060	223,17 €	53	Door open ctrl handle LT from '57	176850	239,30 €
53	Door open ctrl handle RT from '57	176860	238,00 €	54	Pull rod late Lt.	172044	57,94 €
54	Pull rod early Rt.	172043	57,94 €	54	Pull rod early Lt.	172042	57,94 €
54	Pull rod late Rt.	172045	57,94 €	56	Rubber rod guide 190SL, R113, 111Cpe/Cab	298005	5,55 €
56	Rubber rod guide 190SL, R113, 111Cpe/Cab	298705	5,95 €	57	Door lock escutcheon plate	176066	78,53 €
58	Chrome cover @ lock-lever	172868	15,10 €	59	Mech actuator, early door opener	176036	389,00 €
60	Chrome handle for int.locking repair	172195	59,99 €	60	Locking handle assy, inner door ->'67 L	172193	109,78 €
60	Locking handle assy. inner door ->'67 R	172194	109,78 €	61	Pull rod for inside door lock, Rt.	172040	59,33 €
61	Pull rod for inside door lock, Lt.	172041	59,33 €	65	without Lock/knob: LH door handle	172830	398,65 €
65	without lock/knob: door handle RH	172840	398,65 €	66	Rubberpad, handle small pce, Lt. or Rt.	172021	5,59 €
67	Rubberpad, Handle Rt.	172022	8,62 €	67	Rubberpad, Handle Lt.	172023	8,62 €
68	Door lock cylinder 03.1957->	172626	416,50 €	68	Lock cyl. ->'57 (180°) cpl, Repro	172825	447,37 €
68	Lock cylinder pair late, same key 03.57	172826	469,13 €	68a	lock stamp, shape with flanges	172027	118,32 €
68	Door lock cylinder pair ->02.'57	172625	416,50 €	68a	Contoured ring, fits lock turning spring	172129	21,42 €
68a	lock stamp, shape with flanges	172827	73,78 €	68a	Lock stamp, shape "paddel style no flanges"	172727	73,78 €
68	Door lock cylinder pair ->02.'57	172925	474,81 €	68a	Coil spring, door lock cylinders	172124	29,75 €
68	Door lock cylinder 03.1957->	172926	456,95 €	68	Lock cyl. set 4 pcs, 1 key, 190SL Gen.2	172928	833,00 €
68	Lock cyl.set. 4 pce, 1 key, 190SL Gen.4	172929	865,00 €	69	Door striker, 190SL->016980 Lt.	172071	68,72 €
69	Door striker, 190SL->016980 Rt.	172070	68,70 €	72	Distancer, milled, ca. 1,35mm	172074	35,05 €
72	Distancer, milled, ca. 1,55mm	172075	40,11 €	72	Distancer, milled, ca. 1,15mm	172073	27,16 €
73	Door catch Lt. R113 07.61->'67 3-hole	272055	91,45 €	73	Door catch RT. 07.61->'67 3-hole	272022	91,25 €
74	Countersunk screw M4 x 8 chrome eg lock esc	299042	0,71 €	74	Covering, locks years '60-'61	472029	59,00 €
74	Chr. plate, door lock, left	172029	49,03 €	74a	Escutcheon, round lock	172076	18,15 €
74	Chr. plate, door lock, Rt.	172028	64,41 €	75	lock mechanism LH, no prot-lock	172049	459,99 €
75	lock mechanism RH, no prot-lock	172048	399,45 €	75	lock mechanism LH, w. prot-lock	272050	478,39 €
75	lock mechanism RH, no prot-lock	272051	432,21 €	80	Door panel, lower rail	172007	32,13 €
81	Leather,door covering Rt. e.g.black	193180	234,43 €	81	Leather,door covering Lt. e.g.black	193170	234,43 €
82	Alu profile, arm rest trim	172008	19,99 €	84	Insert stripe, for door pocket decoration moulding, color silver	172004	3,56 €
86	Wooden rail above door Lt.	172110	114,86 €	86	Wooden rail above door Rt.	172120	114,86 €
87	Barbed clamp at wood trim	172115	23,23 €	90	Door panel,raw board,Gen.II(ca,57->),L/R	172133	54,25 €

90	Door panel,raw board, Gen. l(ca.->57)L/	172128	50,21 €	91	4pcs. Wood kit, box+armrest Rt.	172134	116,38 €
91	4pcs. Wood kit, box+armrest Lt.	172135	116,38 €	92	Box panel, door Rt.	172136	56,88 €
92	Box panel, door Lt.	172137	57,12 €	95	Hidden mould, door panel Lt.	172139	105,90 €
95	Hidden mould, door panel Rt.	172138	105,90 €	97	escutcheon e.g. screw 277052, ..	277053	3,02 €
98	Set of chrome screws 419 pcs for bucket seat car	191112	749,99 €	98	Set of chrome screws 395 pcs	191111	789,99 €
98	flat headed screw 4x20	267013	0,38 €	98	Chromed screw countersunk eg.door panel	172199	0,83 €

77, 79 Softtop, Hardtop

77.b Softtop Equipmet

77.b Softtop Equipmet

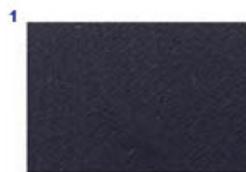
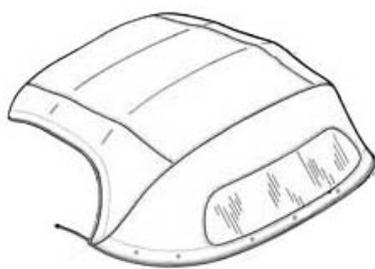


	Chrome screw M4, e.g. wire at canvas	277852	2,36 €		Frame belts black, for softtop	176801	39,57 €
	Shoulder bolt S/T support, chromed	198721	18,45 €		W/S glastransp. incl. box(Germany)	967999	121,25 €
2	convertible top frame, 190SL REPRO	177510	6.819,79 €	3	rope, S/T tensioner RT Ref.-No: A1217700265	177962	89,99 €
3	rope, S/T tensioner LT Ref.-No: A1217700165	177961	89,99 €	3	Rope w.Tensioner, Set Lt.+Rt. incl. nut	177066	222,65 €
3	Wire, tensioner, see pict	177065	24,89 €	5rd	Chrome bow, rounded profile, good repro	177019	215,65 €
6	Rubber seal, roof to windshield frame OEM	177090	186,00 €	7	Seal door glass, 190SL repro right	172702	16,66 €
7	Seal, door glass 190SL repro left	172701	16,66 €	7	Seal door glass right 190SL OEM	172002	44,03 €
7	Seal, door glass left 190SL OEM	172001	44,03 €	8	Tension cable wire, Conv. top to body	177075	38,85 €
9	Chrome profile Rt. @ softtop f.	172894	101,52 €	9	Chrome profile Lt. @ softtop f.	172095	207,49 €
9	Chrome profile Rt. @ softtop f.	172094	144,61 €	9	Chrome profile Lt. @ softtop f.	172895	101,52 €
10	Chrome profile Rt. @ softtop m.	172092	164,48 €	10	Chrome profile Rt. @ softtop m.	172892	113,05 €
10	Chrome profile Lt. @ softtop m.	172893	113,05 €	10	Chrome profile Lt. @ softtop m.	172093	155,00 €
11	Chrome profile Rt. @ softtop r.	172090	285,99 €	11	Chrome profile Rt. @ softtop r.	172890	92,86 €
11	Chrome profile Lt. @ softtop r.	172891	92,86 €	11	Chrome profile Lt. @ softtop r.	172091	285,99 €
12	Top latch, front, center	177010	355,45 €	12	Countersunk lens-head bolt M5, chromed	177011	1,79 €
12	Verschluss vo.mitte	177810	248,21 €	15	Verdeckrahmen 190SL, vorn quer	177110	351,55 €

15	Wood bow 190SL, front hood frame	177038	272,69 €	16	Wood bow 190SL, rear	177037	212,65 €
17	Wood side bow 190SL, Left	177041	195,15 €	18	Wood side bow 190SL, Rt.	177042	195,15 €
19	Rubber seal, at side wood, Rt.	177022	18,45 €	19	Rubber seal, at left side wood	177023	18,45 €
20	Frame canvas black + foam	176971	65,09 €	20	1x1,50mtr.Frame canvas, black w.rubber	176755	54,74 €
20	1x1,35mtr.Frame canvas, beige w.rubber	176750	84,00 €	20	Frame canvas beige + foam	176970	65,45 €
20	1x1,35mtr.Frame canvas, beige w.rubber	176950	65,45 €	20	Frame belts black, for softtop	176701	39,57 €
20	Frame belts beige, for softtop	176702	39,57 €	20	Frame belts beige, for softtop	176802	54,74 €
21	Shoulder bolt, S/T support, stainless	198821	28,50 €	21	Shoulder bolt S/T support, chromed	198021	53,56 €
21	Set 8 frame link bolts w/o rivet bolts	177280	261,06 €	22	Shoulder bolt, short version, chromed	198022	13,23 €
22	Shoulder bolt, short, stainless steel	198822	27,49 €	23	Rest: Shoulder bolt, chromed, long	198823	27,19 €
23	Shoulder bolt, long version, chromed	198023	19,99 €	25	Front J hook @ corner of C/top	177025	162,74 €
27	Chrome bolt hex.w.peak, S/T-mount	177247	31,89 €	28	Spring washer, chromed	177248	6,19 €
29	Shim, chromed, for M10 bolts	177249	4,99 €	30	Alu handle at S/T frame	177814	88,95 €
30	chrome handle at softtop frame	177015	159,25 €	30	Alu handel @ softtop frame	177014	52,28 €
30	Chrome screw, handle at wood front bow	177018	4,11 €	40	Wind mesh "Weyer" adaptable to 190SL	186805	190,40 €
40	Boot, leather	177200	535,50 €	41	Cap part of snap	177005	1,79 €
42	Spring eye part of snap	177006	0,39 €	44	Rivet part of snap	177004	0,27 €
45	slotted raised countersunk head screw M4 X 8	198025	0,35 €	45	Ball to screw, part of snap	177003	0,43 €
46	Tensioner link Lt.	177071	47,68 €	47	Tensioner LHD, steel lever	177870	122,75 €
47	Tensioner at body, Lt.	177070	74,41 €	48	Tensioner rhd, steel lever	177880	122,75 €
48	Tensioner at body, Rt.	177080	74,41 €	49	Tensioner link Rt.	177081	47,68 €
50	Cardbox for large spareparts, 170x60x80cm	967993	25,82 €	50	J-Frame, Conv. top attachment to body	177900	489,84 €
51	End rail cap, 1 hole->6501781	177051	75,20 €	51	End rail cap, 3 holes 6501781>	177050	129,90 €
51	End rail cap, 3-hole, brass chromed (left)	177850	119,00 €	51	Screw @ front grille	188071	1,79 €
52	End rail cap, 3-hole, brass chromed	177860	119,00 €	52	End rail cap, 3 holes 6501781>	177060	129,90 €
52	End rail cap, 1 hole->6501781	177061	109,00 €	55	Stow position hook, Lt.	177033	249,90 €
56	Stow position hook, Rt.	177044	249,90 €	56	DIN 966 (prev.7988) M5x12, chromed Phillips bolt DIN 966	177048	2,20 €
60	Support softtop tensiomer rope LT	177058	162,85 €	60	Support Softtop rope tensioner RT	177068	162,85 €
62	Chrome screw M4, e.g. wire at canvas	277052	1,79 €	62	escutcheon e.g. screw 277052, ..	277053	3,02 €

77.a Softtop

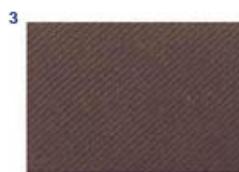
77.a Softtop



aussen schwarz



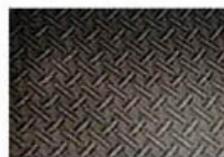
aussen dunkelblau



aussen dunkelbraun



innen beige



innen schwarz



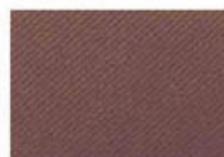
aussen hellbeige



aussen dunkelbeige



aussen mahagoni



aussen rotbraun



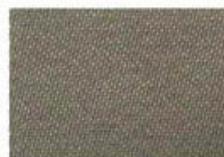
aussen aignerrot



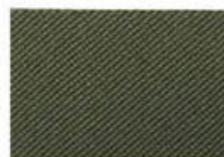
aussen magenta



aussen perlbeige



aussen classicgrau



aussen grau-grün

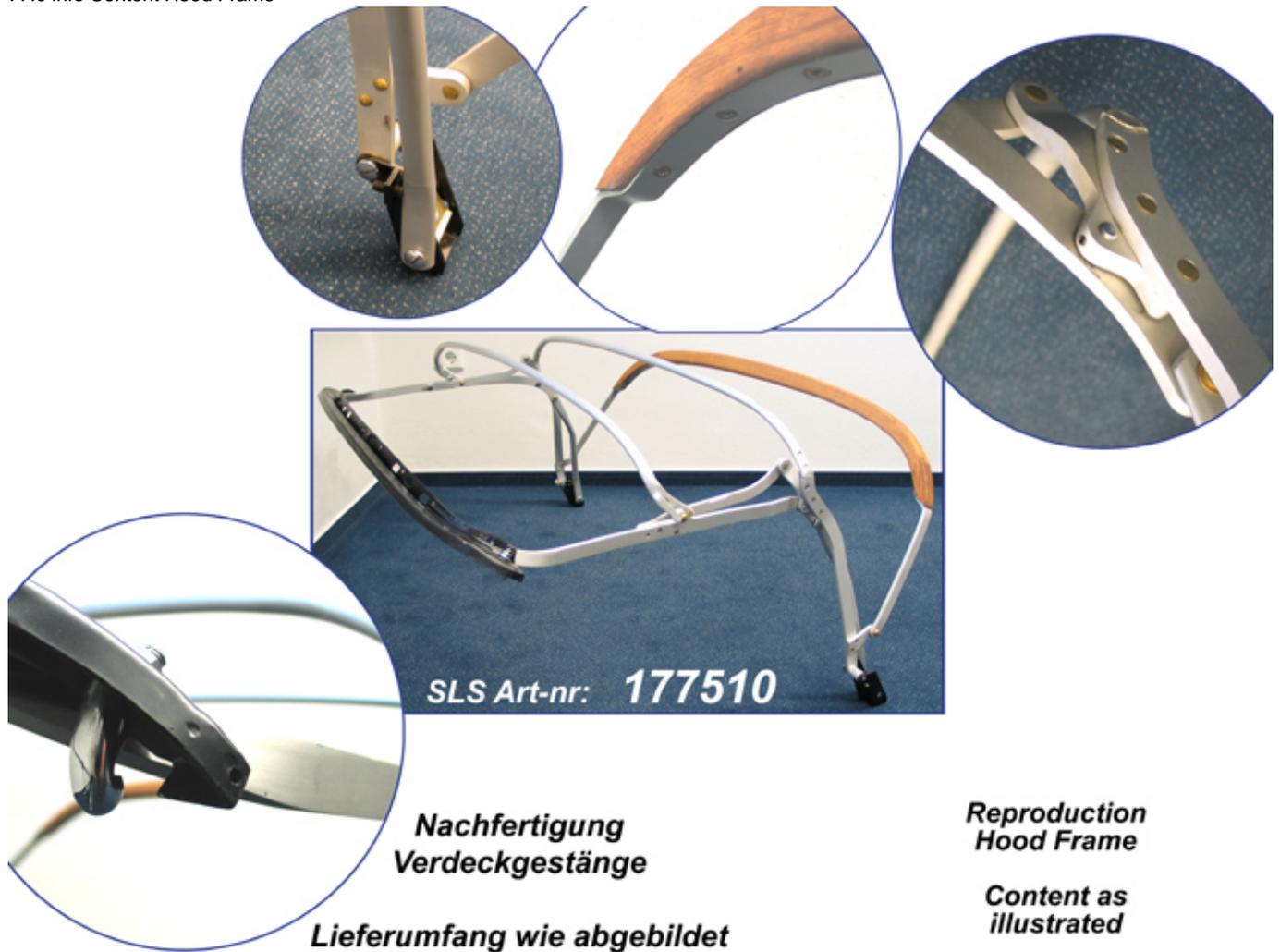


aussen kobaltblau

1	Frame belts beige, for softtop	176802	54,74 €	1	Frame belts black, for softtop	176801	39,57 €
	Softtop hood black/creme, premium	176500	999,99 €	1	Softtop hood black/black, premium	176501	1.099,99 €
1	Softtop hood'Sonnenland'	176301	799,99 €	2	Softtop hood blue/creme, premium	176520	999,99 €
	black/black			2	Softtop hood blue/creme, premium	176521	999,99 €
2	Softtop hood'Sonnenland'	176321	553,35 €	3	Softtop hood brown/creme,	176530	999,99 €
	darkblue/black				premium		
2	Softtop hood'Sonnenland'	176320	748,99 €	3	Softtop hood'Sonnenland'	176330	553,35 €
	darkblue/beige				darkbrown/beig		
3	Softtop hood'Sonnenland'	176331	553,35 €	3	Softtop hood'Sonnenland'	176330	553,35 €
	darkbrown/blac				darkbrown/beig		
3	Softtop hood brown/black, premium	176531	999,99 €	4	Verdeckbezug 190SL	176590	899,99 €
					hellbeige/beige		
4	Verdeckbezug 190SL	176984	1.189,99 €	4	Verdeckbezug 190SL	176651	1.189,99 €
	dunkelbeige/be				magenta/schwarz		
4	Verdeckbezug 190SL	176641	1.255,45 €	4	Verdeckbezug 190SL	176640	1.255,45 €
	aignerrot/schwarz				aignerrot/beige		
4	Verdeckbezug 190SL classic-	176631	899,99 €	4	Verdeckbezug 190SL	176591	899,99 €
	grau/schwarz				hellbeige/schwarz		
4	Softtop hood'Sonnenland'	176361	628,32 €	4	Verdeckbezug 190SL	176581	899,99 €
	redbrown/black				dunkelbeige/schwarz		
4	Softtop 190SL mahagoni/beige	176571	899,99 €	4	Verdeckbezug 190SL	176561	809,20 €
					rotbraun/schwarz		
4	Softtop hood'Sonnenland'	176371	628,32 €	4	Softtop hood'Sonnenland'	176451	628,32 €
	mahagoni/black				magenta/black		
4	Softtop hood'Sonnenland'	176391	628,32 €	4	Softtop hood'Sonnenland'	176390	727,44 €
	lightbeige/bla				lightbeige/bei		
4	Softtop hood'Sonnenland'	176381	628,32 €	4	Verdeckbezug 190SL	176551	1.130,50 €
	darkbeige/schw				graugrün/schwarz		

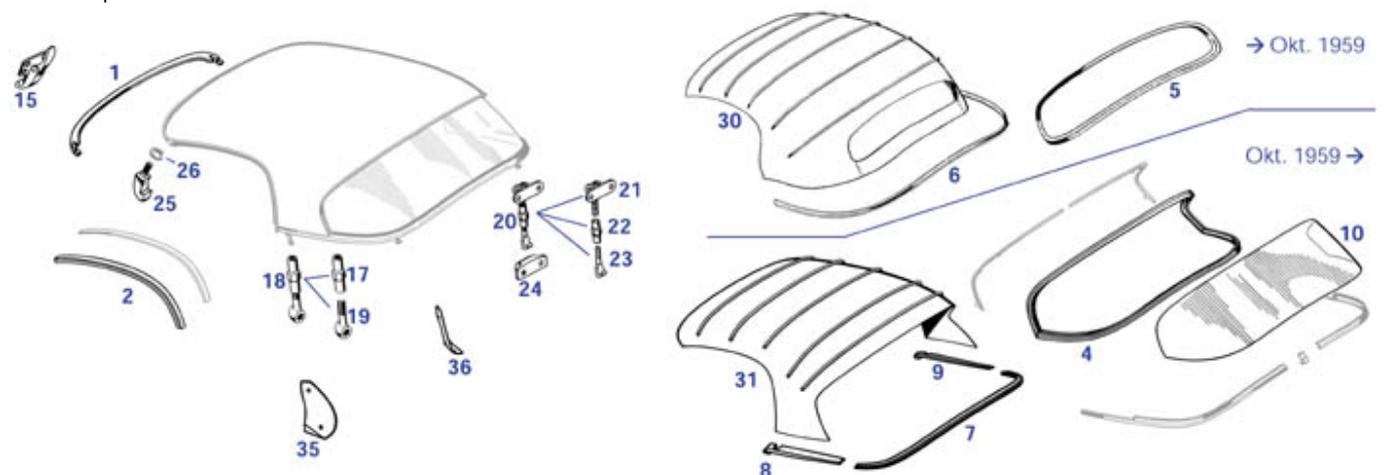
77.c Info Content Hood Frame

77.c Info Content Hood Frame



79 Hardtop

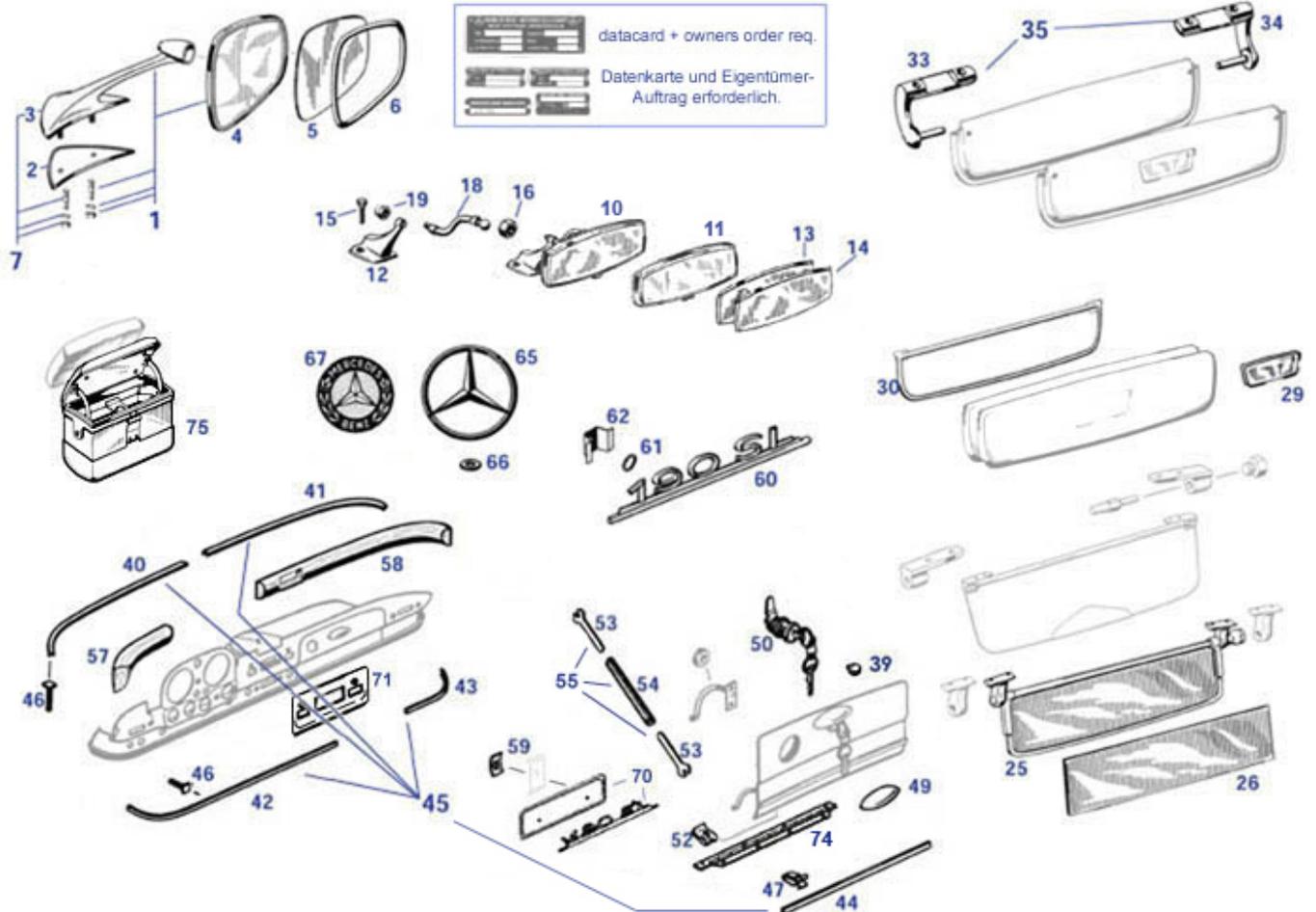
79 Hardtop



	Bolt for coupe hardtop sunvisor	181014	13,09 €	1	Rubber seal, roof to windshield frame OEM	177090	186,00 €
2	Seal, door glass 190SL repro left	172701	16,66 €	2	Seal, door glass left 190SL OEM	172001	44,03 €
2	Seal door glass right 190SL OEM	172002	44,03 €	2	Seal door glass, 190SL repro right	172702	16,66 €
4	Seal, HT, Large rear window	179001	89,80 €	5	Seal Hardtop (small) rear window OEM-Quality	179002	90,67 €
7	Hardttop-Seal (large window)	179025	102,99 €	8	Rubber LH, late hardtop @ body	179010	39,00 €
9	Rubber RH, late hardtop @ body	179020	39,00 €	15	Top latch, front, center	177010	355,45 €
15	Countersunk lens-head bolt M5, chromed	177011	1,79 €	15	Verschluss vo.mitte	177810	248,21 €
17	Threaded tube, fits lock LH or RH	177078	44,29 €	17	Threaded tube, fits lock LH or RH	177089	44,29 €
18	H/Top turnbuckle at door post Lt.	177077	304,52 €	18	H/Top turnbuckle at door post Rt.	177088	304,52 €
18	H/Top turnbuckle at door post Rt.	177877	226,58 €	19	Banjo bolt, fits lock, RH	177087	261,35 €
19	Banjo bolt, fits lock LH	177076	251,29 €	20	H/Top turnbuckle, rear	169070	274,54 €
21	Lock bracket rear	169071	133,96 €	22	Threaded tube, rear lock	169072	49,99 €
23	Hook, rear lock	169073	237,99 €	24	Catch for rear turn buckle	169080	88,95 €
25	Front J hook @ corner of C/top	177025	162,74 €	30	Headliner, cotton creme, small window	179803	299,99 €
35	Cover at door post left, USED	169130	150,18 €	36	Cover at door post Rt.	169140	150,18 €

81 Interior Equipment

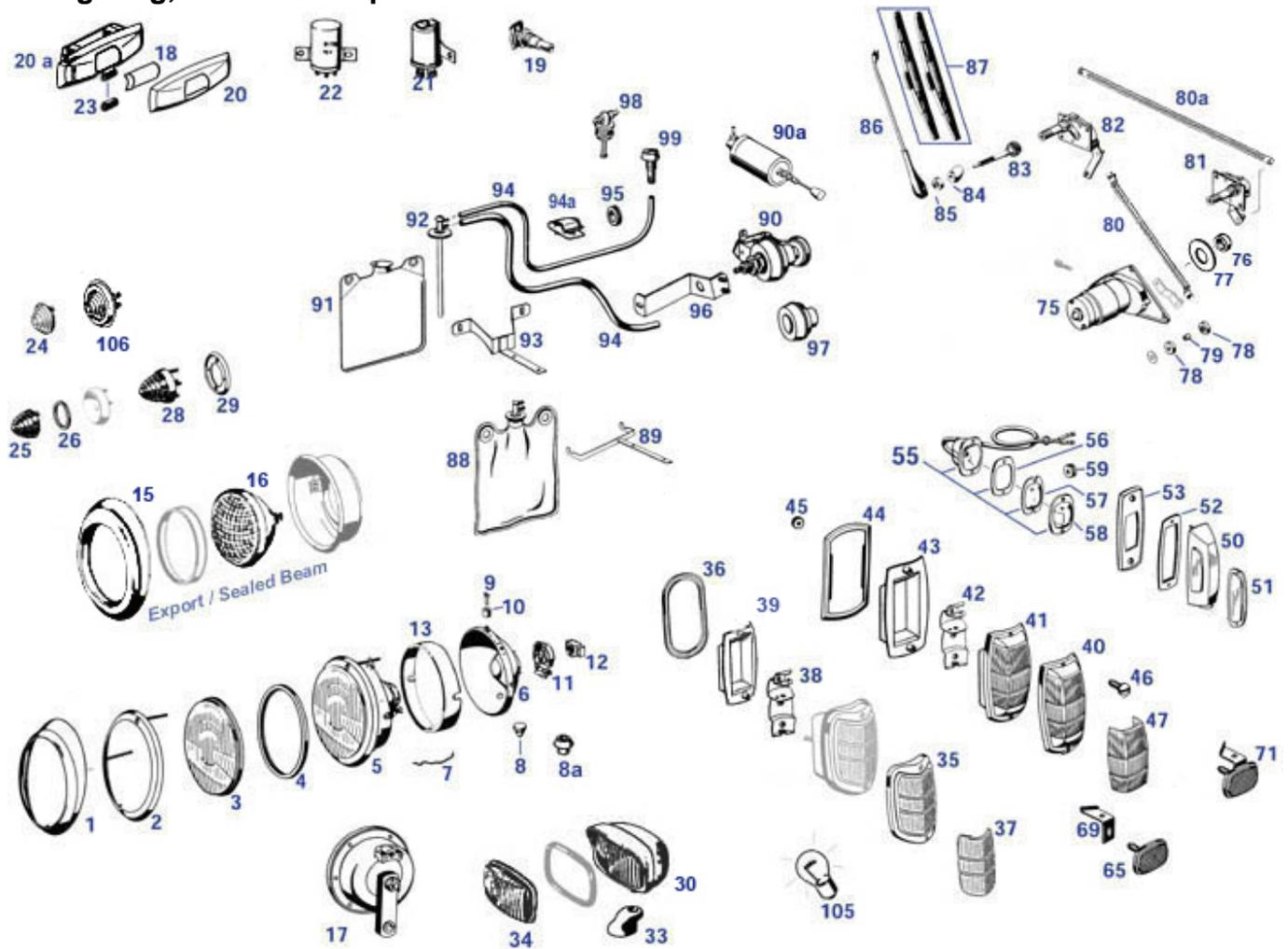
81 Interior Equipment



bits	thread pin, inner hex, e.g. mirror base	181024	0,76 €		Set of chrome screws 419 pcs for bucket seat car	191112	749,99 €
	Set of chrome screws 395 pcs	191111	789,99 €	2	Outside mirror underlay, Rt.	181021	10,50 €
2	Outside mirror underlay, Lt.	181011	10,29 €	3	Outside mirror base 190SL, Lt.	181009	143,68 €
3	Outside mirror base 190SL, Rt.	181019	143,68 €	4	Mirror head ->67, Repro, clear	181125	47,10 €
4	Mirror head ->67, Repro, tinted	181025	43,64 €	5	Replacement glass, tinted	181026	22,00 €
6	A0008110165 Replacement nylon bezel	181027	14,70 €	11	Inside mirror, head only	181045	738,99 €
12	Inside mirror, base (Repro, chromed)	181037	259,00 €	13	Inside mirr. glass, silverd, Repro-2,9mm	181738	94,95 €
14	Inside mirror glass, clear transp., D=2,9mm	181739	53,49 €	15	Hex Hd. bolt	181036	18,93 €
16	Nut, head to goose neck	181046	16,39 €	18	Inside mirror goose neck	181849	136,49 €
18	Inside mirror goose neck	181049	111,50 €	19	Acorn nut on end of goose neck at base	181048	10,70 €
25	Sun visor, 190SL ->03.58, Lt.	181007	485,33 €	25	Sun visor, 190SL ->03.58, Rt.	181008	485,33 €
26	brown lens insert, Roadster visor	181056	36,22 €	26	Visor, plexiglass insert	181055	28,12 €
29	Mirror glass, visor late	181004	18,10 €	30	Metal frame, 190SL late visor	181013	64,36 €
33	Bracket, sunvisor 8mm Lt.	181003	110,93 €	33	Senkschraube LiKo VA, 4,2 x 16	999932	0,56 €
34	Bracket, sunvisor 8mm Rt.	181002	110,93 €	34	Counter sunk screw 4,2x14, industrial chromed	799932	0,58 €
39	Rubber plug, e.g. drain holes ca. 8mm	198005	1,55 €	39	rubber pad glove box	199027	7,98 €
39	Rubber buffer 5mm,121,113,10	298066	0,89 €	40	chrome moulding, dashboard Lt. on top	168061	165,40 €
41	Chrome moulding, dashboard Rt. on top	168060	165,40 €	42	chrome moulding, dashboard Lt. bottom	168063	109,90 €
43	chrome moulding, dashboard Rt. bottom	168064	109,90 €	44	chrome moulding, Glove box lid	168062	70,39 €

46	T-Head screw @ dashboard moulding	168065	3,33 €	47	Clip, for glovebox trim	168066	4,28 €
49	Glove box handle	168078	114,00 €	49	Bolt M3 e.g. Glove box handle	168079	0,82 €
50	Glove box lock, Repro	168980	102,72 €	50	Lock cyl. set 4 pcs, 1 key, 190SL Gen.2	172928	833,00 €
50	Lock cyl.set. 4 pce, 1 key, 190SL Gen.4	172929	865,00 €	52	Spring clip nut, 4,2, e.g. wing 107,..	299028	0,33 €
53	Fork, glovebox lid	168070	8,09 €	54	Glove box closure spring	168071	10,82 €
57	Wooden dashboard moulding Lt.	168810	44,89 €	58	Wooden dashboard moulding RH-side (LHD)	168820	221,44 €
60	Type designation 190SL Repro, @ boot lid	181840	66,46 €	61	Seal ring @ type designation	181041	1,64 €
62	Bolt M3 for sign	181043	0,13 €	62	Mounting Bracket	181042	10,19 €
66	Rubber washer	175012	1,11 €	71	Speaker box 190SL, wood, leather, black	168017	519,99 €
74	Hinge Strip glove box	168118	172,55 €	75	Ashtray, version chrome cap	181000	399,90 €
75	"Ashtray "wood on cap",to be upholstere	180999	424,00 €	181014	Bolt for coupe hardtop sunvisor	181014	13,09 €

82 Lighting, W.-screen-wipe & wash



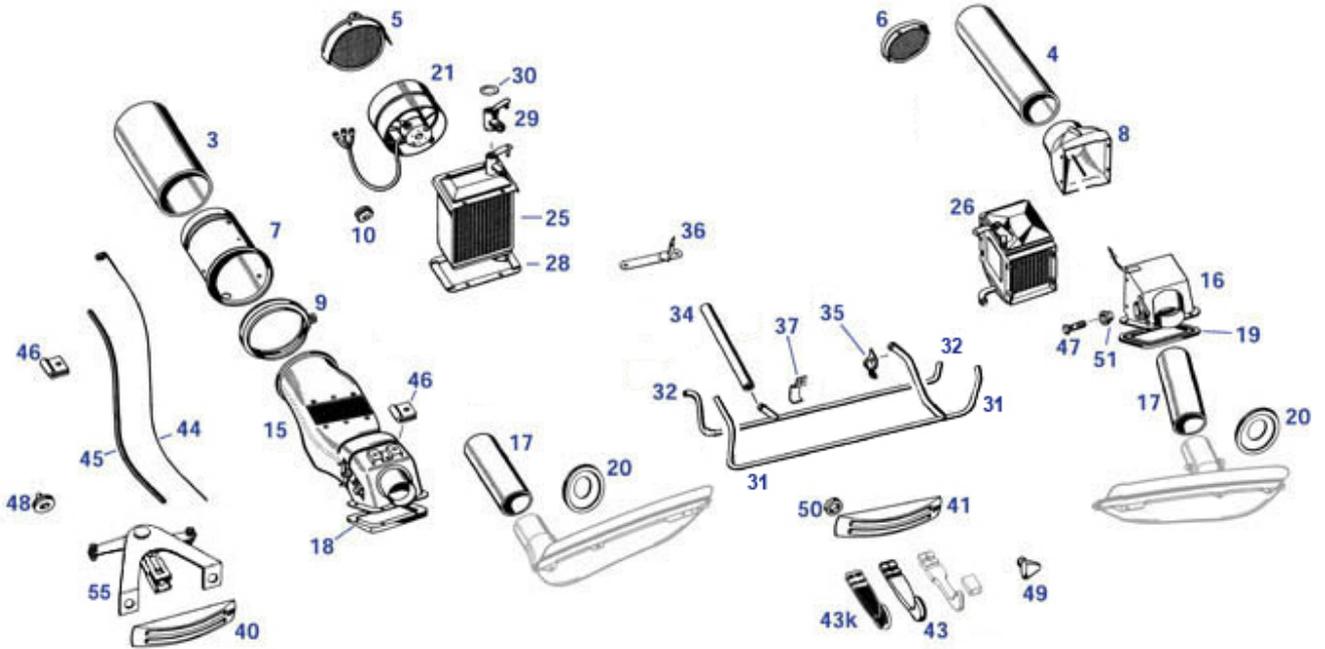
	Bulb 12V 15W BA15S, halo modernized	399083	3,69 €		overhauled OEM headlight switch W121	154133	977,61 €
	Bulb 12V / 5W, torpedo, total length 38	299098	1,54 €		Lamp unit, Bilux LHD, no rbr cap, Bosch	282015	94,75 €
	Door switch, Reproduction	182821	26,00 €		Clearance light switch	154042	295,00 €
	Bulb holder ->1956 type 5 bulbs	182103	646,17 €	1	Headlight chrome surround, repro, not USA	182036	141,00 €
2	Headlight inner rim, EURO	182032	48,79 €	3	Lens headlight, Euro RH-traffic, Bosch	182900	113,05 €
4	Seal ring, Euro headlight	182033	10,20 €	5	Headlight, 190SL..., Ponton, EURO LHD	182030	494,69 €
6	Bulb, parking light, 12V/4W, BA9S	299099	1,39 €	6	Bulb, 40/45W, Bilux	299092	3,99 €
6	Reflector, EURO Headlight	182800	43,21 €	7	Spring retainer wire	182831	2,50 €
8	Rubber buffer 5mm,121,113,10	298066	0,89 €	8a	Rubbergrommet, headlight bucket	182857	16,78 €
9	Bracket, headlight mirror adjuster	182805	7,14 €	10	Rubber bushing at reflector	182807	2,38 €
12	Connector Bilux / H4, spring wire clip	182841	4,25 €	12	Socket, fits Bilux-bulb, classic style	182041	6,69 €
13	Bracket ring, headlight	182950	82,90 €	17	Rest ! 1 pair retro horns, chrome, imported	454013	39,27 €
18	Lens, interior light	182066	12,50 €	20 a	Dashboard lamp, complete	182128	384,00 €
20	Cover, map light	182065	132,99 €	21	Turn signal transmitter (metal), Bosch	182001	76,90 €
21	Housing, fits up to 5 crimp-shoes	554070	0,71 €	21	universal flasher relay 12V 4x21W Bosch, flat pole	582070	42,39 €
22	Sticker "Blinkgeber senkrecht einbauen"	179026	5,70 €	22	Pulse generator, flat connectors, plastic housg, Hella	154018	30,29 €
23	Plastic knob for light chrome cap	182067	36,89 €	24	Indicator lens small, clear	182809	14,28 €
24	Rest: Indicator lens small, yellow	182808	28,13 €	24	Lens, early indicator, amber	182108	28,69 €
24	Lens, small(->58), clear	182008	31,50 €	25	dir lamp lens late (=large), clear,	182823	41,50 €

25	Dir lamp lens,amber,late(=large),reinf. European, yellow lens	182822	41,50 €	25	reinforced Plastic, twist on-off, clear lens	182023	39,66 €
25	Indicator+park light '58-> white lens	182022	38,90 €	26	Seal,dir.lightlens	182024	5,20 €
28	Turn signal assy, lens, glass	182025	119,44 €	28	bulb (2 filament), amber, 5/21W	199094	1,90 €
28	Bulb 12V/18W direction indicator	182020	114,09 €	28	Bulb 12V / 21W direction indicator	299085	1,25 €
28	Rubber pad, parking light to fender	299087	3,33 €	28	Bulb, 5/18 watts (2 filament), 12V, clear	499090	1,44 €
29	Bulb, 35W, Fog light	182026	6,70 €	30	Set fog lights 190SL yellow REPRO	182355	518,64 €
30	Lens, fog, 130x75mm oval type, yellow	299093	8,32 €	33	Bracket f. foglights	182305	145,78 €
34	Tail light lens 190SL, early	182300	35,08 €	34	Lens, plastic, clear, oval type	182301	35,08 €
35	Taillight lens, early red/red	182000	168,00 €	36	Seal, tail light lens to body early	182002	38,23 €
37	Lamp holder ->1956 type 5 bulbs	182102	49,09 €	37	Tail light lense, 190SL early shell, inner housing, early (small) taillights	182003	49,99 €
38	Tail light lens, FN, Red/Clr/Red, repro	182803	564,14 €	39	Tail light lens, FN, Red/Clr/Amber	182116	148,99 €
40	Tail light assy, FN, Red/Clr/Amber	182915	145,00 €	40	Tail light assy, FN, Red/Clr/Red Hsg for tail light refl.	182014	145,36 €
41	Bulb reflector, tail light	182012	342,72 €	41	Rubber grommet 10/15, taillight bucket 190SL, 107	182010	345,27 €
42	Seal tail light lens->body late (large)	182016	102,20 €	43	Screw, chromed, tail lens	182017	100,97 €
44	raised countersunk head screw, stainless steel M4X14	182011	21,68 €	45	Tail light lense, red/Clr/red, late	199020	1,08 €
46	Rep-lens taillight yellow/red late	182099	0,30 €	46	Bulb 12V / 10W, torpedo, total length 44	182013	1,19 €
47	Lamp lic-plate early 2-lenses RT	182007	49,10 €	47	Rubber seal lic light lens early	182006	49,98 €
50	Lens, Lic.plate light early	182049	787,99 €	50	Rubber pad, Hsg. to body, non original size (smaller)	299094	0,51 €
51	Rubberseal, taillight early	182052	20,50 €	51	Lic. Plt Lgt seal at bumper	182051	10,39 €
52	License plate lights in bumper guards	182054	26,95 €	53	Chrome cover plate for lens	182853	31,89 €
55	Lense for License Plate Light (late version)	182088	177,99 €	56	Rbr grommet,7/10,113 washpipe,121 boot	182073	7,16 €
57	Grommet, 4,5/10mm, cable@wheelarch	182071	12,50 €	58	Bumper Reflector	182072	22,76 €
59	Bumper reflector, European	182005	2,53 €	59	Simplified bracket, Europ refl.to bumpe	299011	1,08 €
65	Simplified bracket, Europ refl.to bumpe	182082	49,99 €	65	Reflector bracket Lt.	182882	73,99 €
69	Reflector bracket Rt.	182884	6,81 €	69	Rubber tube, wiper motor mount	182885	6,81 €
69	Wiper motor	182084	30,64 €	69	Washer, No./Licence plate	182085	30,64 €
75	seal washer, wiper motor->bulkhead	182500	1.832,14 €	76	Drive rod, motor to Rt. wiper box	182407	6,50 €
77	Bushing, wiper motor mounting	182408	6,07 €	78	Wiper transmission, LH w/o shaft	188098	2,82 €
79	Drive rod long, wiper gear Rt to Lt	182582	4,40 €	80	Wiper transmission RH w.shaft	182509	190,00 €
80a	Wiper transmission LH w.shaft	182511	189,35 €	81	Shaft and bushing, wiper drive L or R	182510	551,21 €
81	Wiper transmission, RH. w/o shaft	182512	692,64 €	82	Wiper shaft seal	182522	692,64 €
82	Bushing and Wiper shaft	182520	551,21 €	83	Cap, wiper shaft, altern.quality	182815	209,99 €
83	Hex Nut Wiper	182515	125,87 €	84	Wiper arm 190SL	182018	12,74 €
85	Chrome cap, wiper shaft	182503	12,80 €	85	Rubberstrip, 190SL wiperblade	182845	19,52 €
85	Wiper arm 190SL repro	182045	23,00 €	86	wiperblade repro 1 piece	182095	106,20 €
86	wiperblade 1 piece	182995	104,90 €	87	Sticker "Antisilin", if early washerbag	182061	20,36 €
87	1 pair wipers, Repro, stainless	182860	80,59 €	87	Washer bag early, w. alu-cap	182760	50,69 €
87	N/A: Washer bag w/o valve	182761	76,16 €	88	Bracket, washer bag ->'59	186707	6,96 €
88	Washer bag, e.g. 190SL early	186005	208,00 €	88	Alu fitting, washer pump	186705	209,26 €
88	Washer pump early, dash/hand driven	186706	174,99 €	89	Nut, M16 x 1.5 , foot pump to bracket	186012	101,53 €
90a	Rubber bellow, washer pump	186700	386,75 €	90	serrated lock washer, internal teeth, zinc plated 17mm	186023	88,18 €
90	Washer foot pump, reproduction	186021	44,35 €	90	WS washer tank, repro with cap	186048	1,69 €
90	Washer foot pump, overh.mech.w.switch	186820	535,50 €	90	Bracket, washer bag '59 ->	186049	1,00 €
92	Washer bag cap w.valve e.g to 186015, B-Quality	186020	636,46 €	91	Hose, w'washer, flex.,per metre	186810	87,26 €
92	clip, e.g. wire fixature 190SL, R113, R/C107	186015	18,86 €	93	Foot pump mounting bracket repro	186011	83,38 €
94a	Rubber grommet 3/18, 121,113,107	254874	1,50 €	94		186040	1,84 €
95		199010	1,67 €	96		186845	37,14 €

	and other						
96	Foot pump mounting bracket	186045	55,25 €	97	Rubber bellows for foot pump	186022	40,31 €
98	Windshield spray nozzle, early	186831	180,99 €	99	Chrome washer dble-jet, 190late(bonnet)	186030	58,50 €
99	Double nozzle washer jet, div. from ...	186830	40,96 €	105	Bulb 1.2W, glass socket, switch- knob, cockpit	299097	1,79 €
105	Halogene bulb, fits in Bilux socket	299192	4,86 €	105	light bulb 12V/2W, BA9s, eg. Instruments	254033	2,20 €
105	Bulb, 5/21W (2 filament)	199090	1,09 €	105	Bulb 12V 15W BA15S, halo modernized	399084	3,92 €
105	Bulb, e.g. trunk light	282033	2,50 €	106	Indicator light small, yellow, complete	182038	69,85 €

83 Heater System

83 Heater System

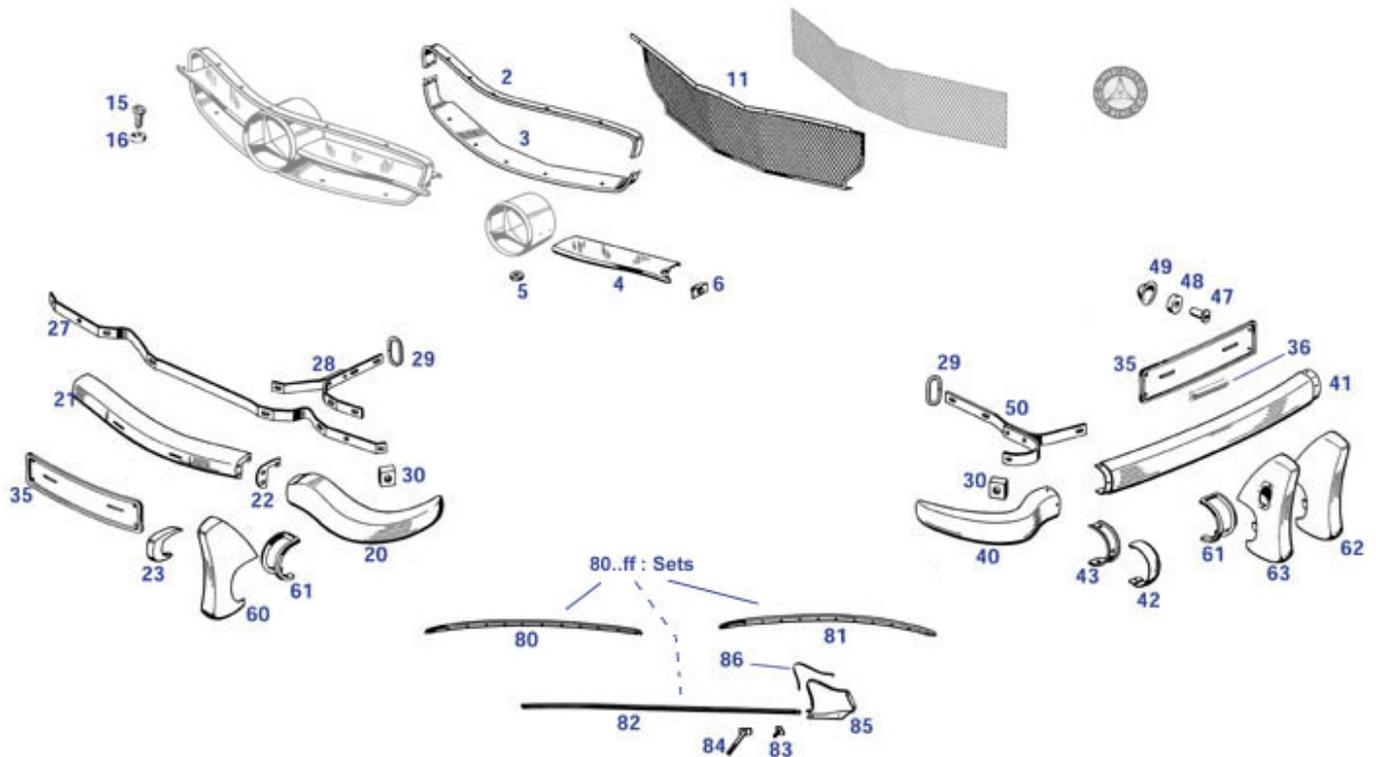


w.o.sign	Chromed heater control esc. outer	183301	99,90 €		set of side walls for repair of RH heater core	183718	237,54 €
w.o.sign	Blue insert for escutcheons	183303	3,95 €	3	product replaced: Lock / winding clip for 9mm strap	109035	2,09 €
3	Air duct hose, front Lt, Lgth.185mm	183035	114,84 €	3	1m metal strip, 9mm clamp	109030	4,00 €
3	Air duct hose, front Lt, Lgth.185mm	183835	61,00 €	4	Hose, air duct, front Rt. Lgth 390mm	183036	99,00 €
5	Heater bug screen, Lt.	183011	45,03 €	6	Heater bug screen, Rt.	183012	31,00 €
7	Heater air tube (LH around blower)	183013	169,99 €	8	Connection to heater core	183040	203,75 €
8	Connection to heater core	183840	233,00 €	9	Clamp air duct	183034	59,15 €
9	Clamp air duct	183834	60,82 €	10	Rubbergrommet 7/15mm, air duct, hornwir	199009	2,31 €
15	Heater box 190SL, Lt. (ABS)	183030	487,29 €	16	RH metal air duct w flaps, black	183850	302,50 €
17	Air duct hose to defrosters, Lgth 250mm	183837	40,36 €	17	Air duct hose to defrosters, Lgth 250mm	183037	119,12 €
18	Heater box seal to firewall, Lt.	183070	19,69 €	19	Heater box seal to firewall, Rt.	183060	14,66 €
20	Rubbergrommet, defrost tube	183109	16,30 €	21	Blower motor, LH heater duct, two speed	183007	1.508,00 €
21	Blower motor (two speed)	183807	1.281,86 €	25	Heater core LH, overhauled, non-exchange-service	183817	1.398,25 €
26	Wärmetauscher rechts, überholt	183818	1.439,90 €	26	Kit housing covers heater RH (overhauled) heater core RH	183819	240,33 €
26	Lever at heater core valve RH	183816	17,85 €	26		183119	2.184,00 €
26	right Heater core (in exchange!)	183019	1.533,99 €	28	Rubberseal, heater core Lt.	183080	14,02 €
29	lever only, heater core valve left side	183811	17,85 €	29	key shim at square valve drive	183813	13,48 €
29	Valve insert, eg heater core 190SL, LH or RH	183814	24,99 €	29	Rep water valve unit, includes insert, reproduction	183815	153,40 €
30	Sealing ring, heater valve	283022	2,31 €	31	Water pipe,heater"return", adjust at car	183102	110,31 €
31	see 483100 identical product	483100	398,30 €	32	Water pipe, heater "feed", adjust at car	183101	103,28 €
34	1m Water hose I/D 16mm	150019	15,17 €	34	Hose clamp 23-31mm, worm thread style	750042	1,09 €
34	Water hose, i/D 18mm per metre	250019	19,10 €	35	Clamp, water pipe	183104	14,35 €
36	Cable bracket	183083	48,74 €	37	Clamp, heater pipes @ firewall	183106	14,71 €
41	Chromed heater control esc. middle	183311	125,30 €	43k	Heater lever, black plastic	183403	56,24 €
43	Heater control lever, chrome	183401	80,55 €	44	Wire, e.g. Heater valve LT	183033	3,57 €
45	1m cable coil, outer	183072	2,90 €	46	Heater cable clamp 190SL, 220,	183073	4,33 €
48	Two hole grommet,heater & choke	130005	3,05 €	49	Red insert for escutcheons	183302	3,99 €

	cables						
50	Bushing, heat.lever escutcheon	183305	3,49 €	51	Bushing, Rt. air duct	183052	5,71 €
55	Control lever RH w.o. knobs	183061	138,54 €	55	Control lever middle w.o. knobs	183056	177,18 €

88.b Chrome and Trims

88.b Chrome and Trims



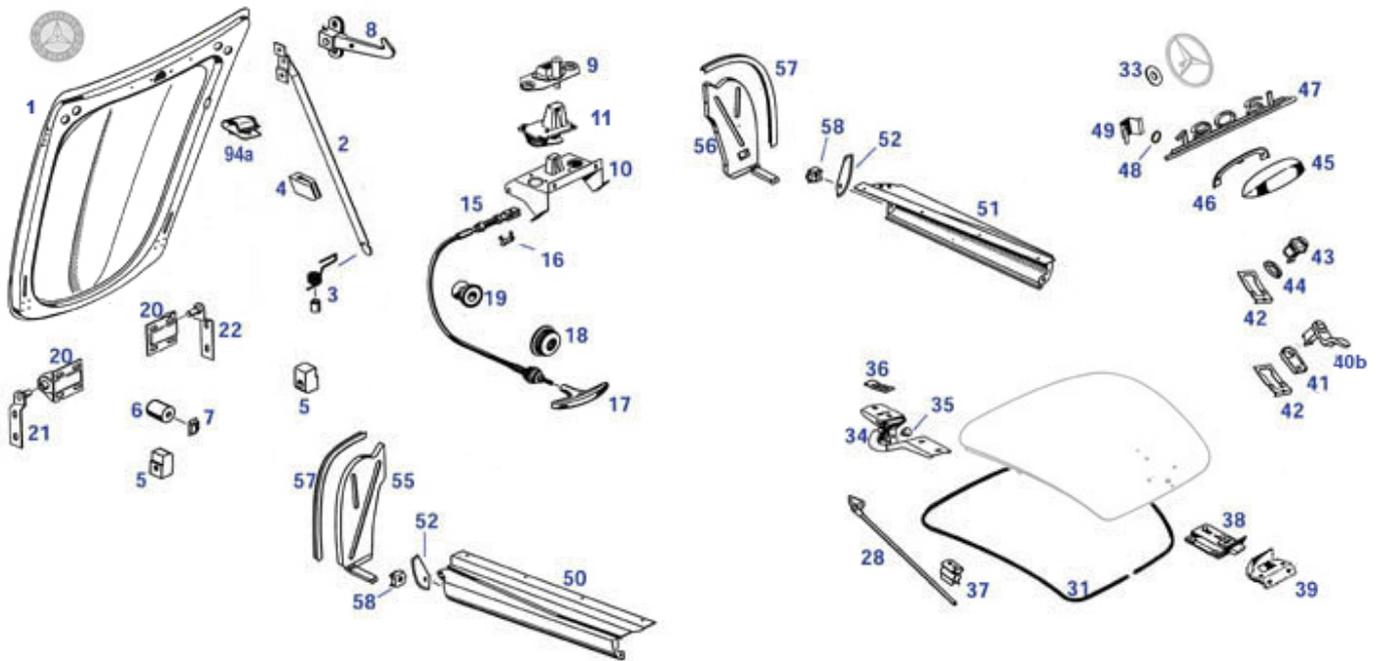
Starting from VIN .. 6501115, sill strips, stone pillars and gill strips were installed. According to spare parts literature, the small front ornamental horns from VIN ..6503050 was not in use anymore which was possibly associated with the wide standard of number plate (52cm in Germany). For re-import, the limited space can make a shorter number plate recommendable. With later transition of the big horns from "special request" to "series" the license plate lights are placed in (from FG ..7501450, supplementary parts to picture number 63 see assembly lighting). (For example, numbers 2, 3 and 85): optimal fit results can be achieved by matching the trim and planking before coating

	Set of chrome screws 419 pcs for bucket seat car see 189911	191112	749,99 €		Eyebrow trim set, 2nd choice	169700	529,55 €
2	Top surround, Repro unchromed	189011 188082	8,29 € 246,98 €	2	mesh with frame, needs works Top surround, Repro chromed.	188988 188080	196,35 € 1.074,99 €
3	Bottom surround, Repro unchromed	188083	243,95 €	3	Bottom surround, Repro chromed	188081	981,75 €
4	Grille wing Rt., repro unchromed	188068	299,87 €	4	Grille wing Lt., repro unchromed	188067	299,87 €
5	Shim, canister to surround	188072	11,63 €	6	pan head tapping screw zinc plated 3,9 X 13	188889	0,25 €
6	Clip nut	188073	0,49 €	11	Radiator bug screen 190SL	188888	305,69 €
15	Screw @ front grille	188071	1,79 €	15	Screw @ front grille, hi gloss chromed	188171	1,61 €
15	Set of chrome screws 395 pcs	191111	789,99 €	16	Washer, chrome, high shape, fits up to 4mm screws	288013	2,99 €
20	Bumper Lt. unchromed, front Repro.	188016	722,50 €	20	Bumper front left chromed Repro	188001	1.617,21 €
20	Bumper Rt. chromed, front Repro.	188002	1.617,21 €	20	Bumper Rt. unchromed, front Repro.	188018	722,50 €
21	Bumper center chromed, front Repro.	188003	1.808,80 €	21	Bumper center unchromed, front Repro.	188017	741,00 €

22	Spacer, front bumper, REPRO	188112	19,99 €	23	Right Chrome bumperette	188020	118,99 €
23	Chrome bumperette, Rt.	188820	136,53 €	23	Left Chrome bumperette	188010	118,99 €
23	Chrome bumperette, left	188810	136,53 €	26	License plate, 52,50cm chromed	188090	138,61 €
26	Licence plate underlay, stainless steel, inner width 46cm	988788	29,75 €	27	Bumper brace, front center, B-Quality	188813	375,94 €
27	hex nut M10 (hex17), hot zined	199148	0,57 €	28	Bumper brace, Rt. overhauled, see pict	188280	263,53 €
28	Bumper brace, RH, shape see pictures	188200	208,90 €	28	Bumper brace, Lt. overhauled, see pict	188180	263,53 €
28	Bumper brace, frt. LH, shape see pictures	188100	208,90 €	29	Grommet, bumper arm	188597	9,94 €
29frt	Grommet, bumper arm (oval)	188596	10,09 €	30	Locking ring M10	299328	0,38 €
30	Washer 2mm, thick, exh-manif, bumpers .	214008	0,56 €	30	Square nut,M10	188012	0,58 €
30	Bolt M10x30 e.g. rear axle mount	235318	1,02 €	36	1m rubberprofile, license plate / body	188093	11,65 €
40	Bumper Rt. chromed, rear Repro.	188004	1.617,21 €	40	cheese head screw zinc plated M8 X 20	188886	0,69 €
40	Bumper, rear left, chromed, Repro.	188005	1.466,08 €	40	Bumper Lt. unchromed, rear Repro.	188007	624,99 €
40	Bumper Rt. unchromed, rear Repro.	188009	624,99 €	41	Bumper center unchromed, rear Repro.	188008	617,00 €
41	Bumper center chromed, raer Repro.	188006	1.617,21 €	42	Bumper joint cover, rear left side	188110	57,72 €
42	Bumper joint cover, Rt.	188120	57,72 €	43	Joint cover underlay, rear bumper	188311	6,39 €
47	Hollow screw rr lic-plate support late	188099	5,99 €	48	Washer, No./Licence plate	188098	2,82 €
49	Metal cup 7501451>	188097	1,40 €	50	Screw, bumper bracket	288116	0,76 €
50	bumper arm rear, RT.	188814	276,70 €	50	Bumper arm rear, Lt.	188815	276,70 €
50	Bumper arm rear, Rt.	188014	250,96 €	50	Bumper arm rear, Lt.	188015	208,90 €
60	Bumper guard, front Lt. unchromed	188034	242,75 €	60	Bumper guard, front Rt. unchromed	188045	242,75 €
61	Profile, bumperette, grey	189911	9,21 €	61	1 m rubber profile, black	189811	9,21 €
62	Bumper guard, rear Rt. unchromed early	188087	224,55 €	62	Bumper guard, rear Lt. unchromed early	188076	224,55 €
63	bumper guard, rear Lt. unchromed late	188079	246,33 €	63	Bumper guard, rear Rt. unchromed late	188086	246,33 €
80	Screw, R/C107, R113	272724	0,51 €	80	Eyebrow trim frt RH	169820	291,95 €
80	Eyebrow trim front left	169710	128,70 €	80	lens head screw chromed, 2,9x6,5, DIN 7981	169007	1,07 €
80	Eyebrow trim front left	169810	291,95 €	80	Eyebrow trim frt RH	169720	122,57 €
81	Eyebrow trim, rear left	169730	122,57 €	81	Eyebrow trim rr RH	169840	291,95 €
81	Eyebrow trim rr RH	169740	122,57 €	81	Eyebrow trim, rear left	169830	291,95 €
82	Alloy trim lower, LH	169850	297,62 €	82	Alloy trim, lower, RH	169960	269,29 €
82	Alloy trim lower, LH	169950	269,29 €	82	Alloy trim, lower, RH	169860	297,62 €
83	Bolt short, lower trims, 14 x req	169066	3,39 €	84	Bolt "long" f.lower trims, 4x req	169867	2,75 €
85	Ctr sunk screw @ 272033/044/300/400	272034	1,44 €	85	Stone guard Lt., unchromed repro.	169054	234,00 €
85	Stone guard Rt., unchromed repro.	169064	234,00 €	85	Stone guard Rt., chromed repro.	169063	227,29 €
85	Stone guard Lt., chromed repro.	169053	227,29 €	86	1m rubber profile e.g. prot.	169056	2,99 €

88.a Bonnet, bootlid & cover panels

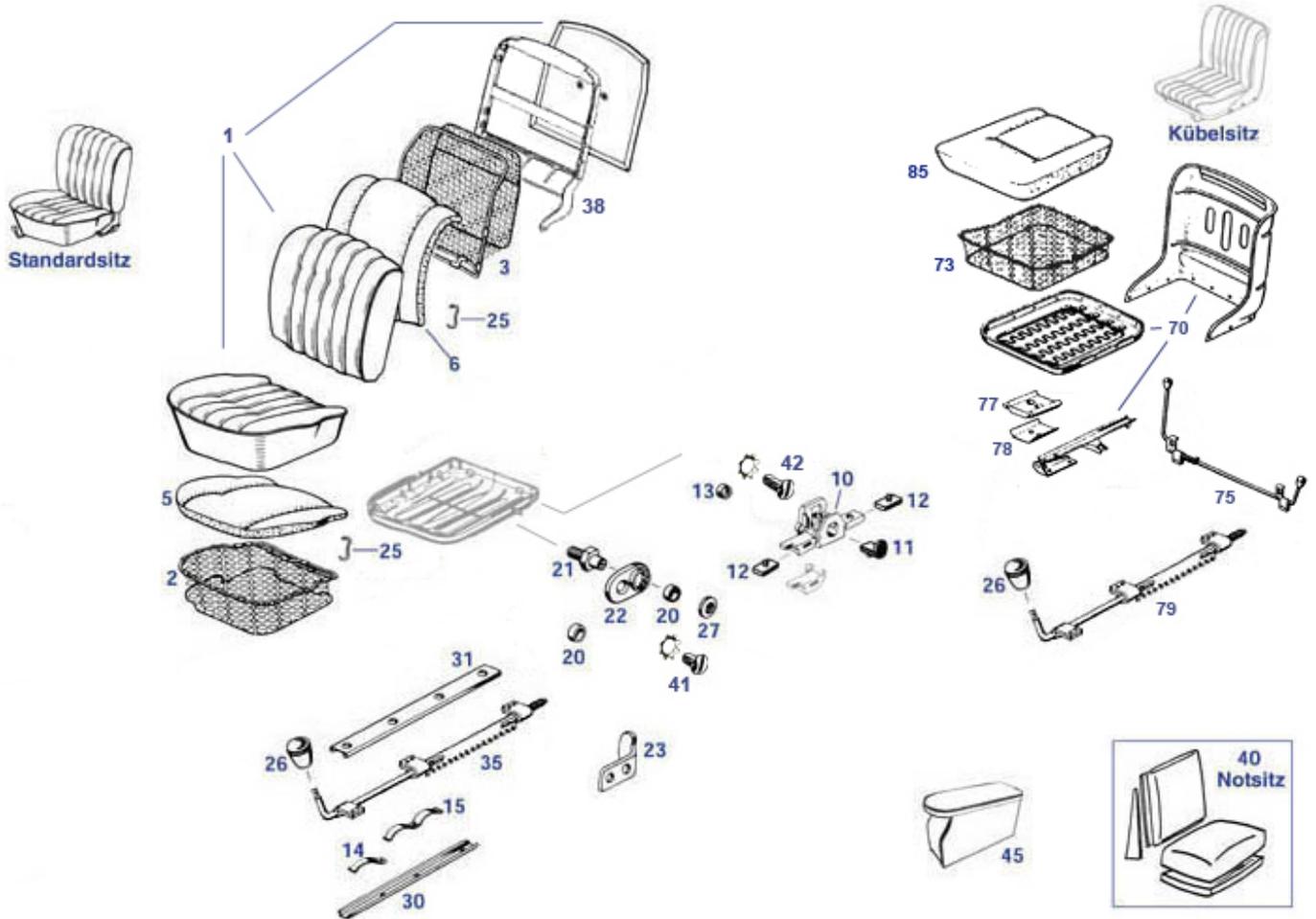
88.a Bonnet, bootlid & cover panels



	clip, e.g. wire fixture 190SL, R113, R/C107	254874	1,50 €		16 m sealing compound strip 3mm black	699996	10,59 €
1	pick-up-price: reproduced bonnet 190SL	188500	1.785,00 €	1	Used hood, if available	188501	2.320,50 €
2	Hood support	188745	94,00 €	3	Hood support spring kit	188746	48,02 €
3	Bonnet stilt rack	188747	35,16 €	4	Hood support retaining rubber	188618	11,34 €
5	Hood alignment buffer, black	188600	6,70 €	5	Hood alignment buffer, grey	188601	8,93 €
6	Hood buffer	188620	3,72 €	7	Clip nut	188073	0,49 €
8	Hood safety hook	188711	89,90 €	9	Hood lock, upper	188735	684,67 €
10	Bonnet lock w.console, lower	188042	959,90 €	11	Lower part bonnet lock (catcher pin)	188043	376,28 €
15	Hood release cable, without handle	188021	59,50 €	17	Alu handle, hood release	188019	78,00 €
19	Rbr grommet ../24,2 hole, revcables, oil/temp-pipe	299009	3,61 €	20	Hinge, hood part, Lt or Rt	188700	41,45 €
21	Hinge, support at body Lt.	188710	141,60 €	22	Hinge, support at body Rt.	188720	141,60 €
28	Trunk hood opener strut	175028	113,36 €	30	Trunk lid	175000	1.044,33 €
33	Rubber washer	175012	1,11 €	34	Hinge	175009	505,75 €
34	washer, 6,4 e.g. boot hinge	175005	0,36 €	36	Clip nut, trunk hood	175015	19,75 €
38	Lock mechanism	175090	349,99 €	38	Satz Heckschloss mit Falle	175890	409,90 €
39	Striker for boot lock	175080	156,00 €	40b	Lock cyl. set 4 pcs, 1 key, 190SL Gen.2	172928	833,00 €
40b	Trunk lock early	175875	102,34 €	41	Rubber Underlay, 'hook'-lock	175002	7,66 €
42	Locking Plate for trunk lock	175086	19,87 €	43	Lock button with key 60 to 63	175030	74,96 €
43	Lock cyl.set. 4 pce, 1 key, 190SL Gen.4	172929	865,00 €	44	Underlay for button lock	175088	4,07 €
45	Trunk handle, 1960 to 1963, Pontoon+SL	175001	153,99 €	45	Trunk handle, 1960 to 1963	175801	101,39 €
46	Underlay rubber, handle from ...	175811	11,70 €	47	Type designation 190SL Repro, @ boot lid	181840	66,46 €
48	Seal ring @ type designation	181041	1,64 €	49	Mounting Bracket	181042	10,19 €
49	Bolt M3 for sign	181043	0,13 €	50	Rocker panel, Lt. Repro	183010	179,99 €
50	3mtr flat profile Terostat IV, 20 x 2 mm	199995	19,93 €	50	panelling screw, phillips, chromed	268133	1,32 €
51	Rocker panel, Rt. Repro	183020	179,99 €	52	Rocker panel spacer shim 190SL	183022	10,28 €
55	Splash guard 190SL, Lt.	188030	106,99 €	55	Clamping Bolt M6 for square bodypanel holes	188036	7,90 €
55	bracket, mud guard, Lt. or Rt.	188039	7,25 €	56	Splash guard 190SL, Rt.	188040	106,99 €

91 Seats

91 Seats

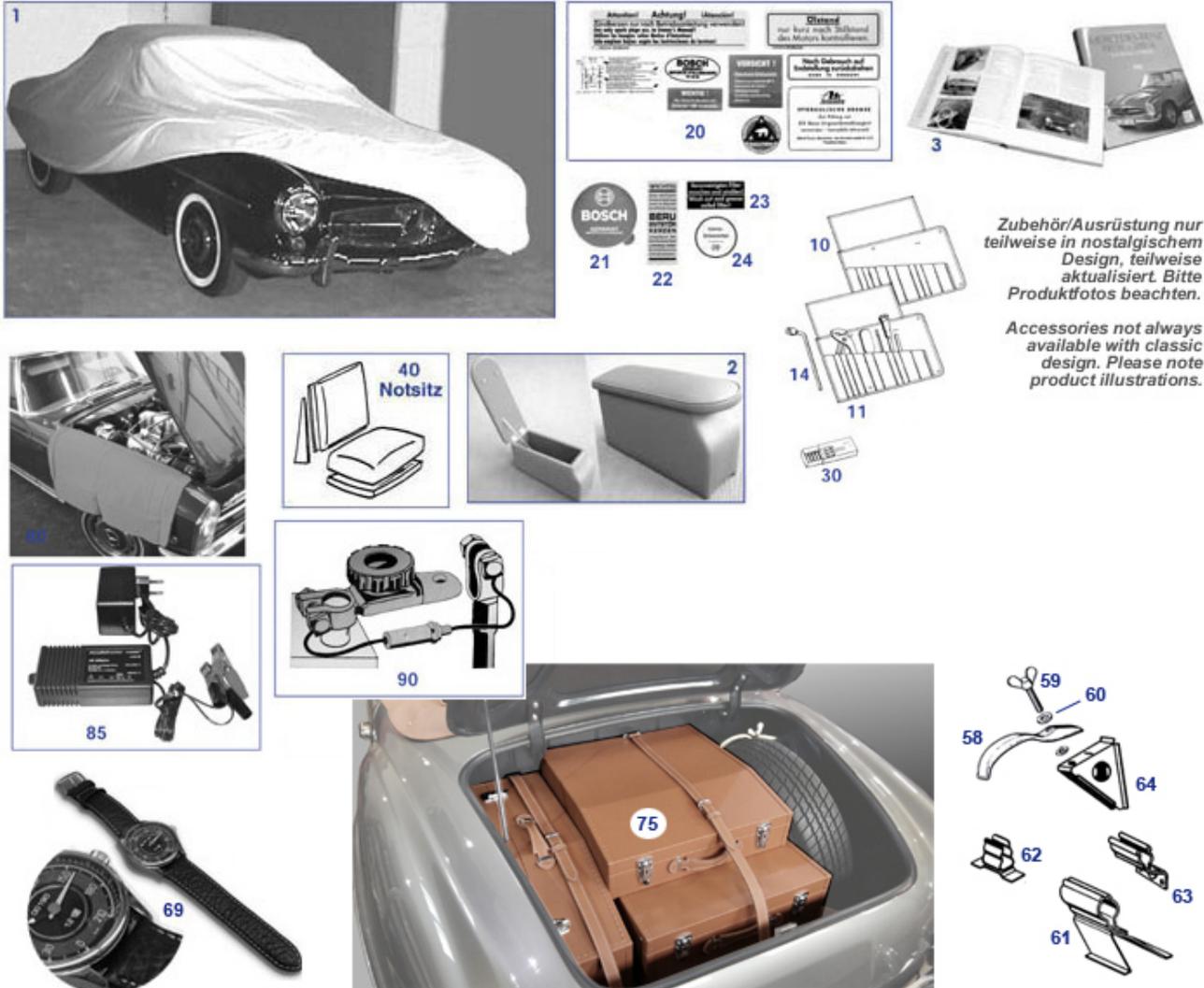


1	Seat cover, leather. Rt.57->	193121	654,50 €	1	Seat cover, leather. Rt.->56 black	193120	654,50 €
1	Seat cover, leather. Lt.57->	193111	654,50 €	1	Seat cover, leather. Lt.->56 black	193110	654,50 €
2	Seat springs Rt. modif.low/hard	191221	269,00 €	2	Seat springs Lt. repro std.(D)	191610	205,87 €
2	Seat springs Lt. repro std.(D)	191210	269,00 €	2	Seat springs left modif.low/hard	191211	249,00 €
2	Seat springs Rt. repro std.(D)	191620	205,87 €	2	Seat springs Rt. repro std.(D)	191220	269,00 €
3	Seat springs back Lt. repro	191232	229,40 €	3	Seat springs back Rt. repro	191240	255,01 €
3	Seat springs back Lt. repro	191230	255,01 €	3	Seat springs back Rt. repro	191242	218,48 €
5	Left Seat Pad 'rubber hair'	191150	185,00 €	5	Right Seat Pad 'rubber hair'	191160	185,00 €
6	Seat pad B.rest 'rubber hair' Rt.	191180	165,40 €	6	Seat pad B.rest 'rubber hair' Lt.	191170	165,40 €
10	Support, RH assy (not in set by car)	191865	165,47 €	10	Seat back adjuster, Rt.	191065	172,63 €
10	Seat back adjuster, Lt.	191060	172,63 €	10	Set 4 pcs chrome seat adjust supp.,Repr	191165	809,90 €
10	Support, LH assy (not in set by car)	191860	199,75 €	11	Rubber plug at adjuster	191840	7,22 €
11	Rubber plug at adjuster	191040	12,74 €	12	A1809190096 Rubber pad	191050	3,37 €
12	square rubber buffer, seat adj.link	191850	3,61 €	13	Metal ring at seat (one side taper sunk)	191055	9,06 €
14	Leaf spring for front run	191011	31,19 €	15	Leaf spring for rear run	191012	36,71 €
15	Leaf spring for 'Bucket seat'	191013	38,08 €	20	Spacer tube, seat frame	191014	6,37 €
21	Bolt at seat frame, no hex head	191705	13,61 €	21	Bolt at seat frame, hex head 19	191715	41,54 €
21	Bolt at seat frame	191015	41,54 €	23	Seat catch Lt.	191019	36,90 €
23	Seat catch Rt.	191018	36,88 €	26	Knob for seat adjuster	191030	22,87 €
27	S-Steel bolt M6 x 16	191717	17,01 €	27	Chrome sunk washer at seat hinge	191016	20,88 €
27	Sunk washer at seat hinge, stainless steel	191716	18,56 €	27	Chrome bolt M6 x 16	191017	23,67 €
30	Seat slide rail	191075	77,95 €	31	Guide rail, inner	191070	103,15 €
31	Guide rail, outer	191080	103,99 €	35	Seat slide arrester, right standard-seat (near tunnel)	191280	164,79 €
35	Seat slide arrester, left standard-seat (near tunnel)	191270	164,79 €	38	backrest frame, standard seat L / R 190SL	191810	729,99 €

38	backrest frame, standard seat L / R 191710 190SL	595,00 €	40	Rear seat assy w.o. upholstery	168375	726,96 €
40	Jump seat cover, leather black 193190	425,43 €	40	Montagehütchen Notsitz	168879	39,66 €
41	Chromed countersunk screw M10 x 191021 20 DIN 91	10,46 €	41	S-Steel countersunk screw M10 x 191721 20 DIN 91		9,78 €
42	Chromed countersunk screw M10 x 191022 25 DIN 91	10,46 €	45	Box w. armrest, leather colored	184801	619,99 €
45	Box w. armrest, leather black 184800	599,99 €	70	Set bucket seat skeletons, Repro	191190	4.199,00 €
70	rubber buffer for bucket seat 191191	32,00 €	70	Seat springs "bucket-seats" W121 + 300SL	191215	319,99 €
75	Locking lever, bucket seat LH 191251	333,33 €	75	Locking lever, bucket seat RH	191252	333,33 €
78	metal plate @ bucketseatrubber 191192	27,96 €	79	Seat slide arrester fits bucket style LH seat RH mounted	191279	146,26 €
79	Seat slide arrester fits bucket style RH seat LH mounted 191269	146,26 €	85	Seat pad LH, bucket seat	191151	290,00 €

97 Accessories

97 Accessories



Zubehör/Ausrüstung nur teilweise in nostalgischem Design, teilweise aktualisiert. Bitte Produktfotos beachten.

Accessories not always available with classic design. Please note product illustrations.

	Speaker box 190SL, wood, leather, color customized	168018	519,99 €		Wind mesh "Weyer" adaptable to 190SL	186807	333,08 €
	Set of chrome screws 419 pcs for bucket seat car	191112	749,99 €		Set of chrome screws 395 pcs	191111	789,99 €
	Wheel clamp, anti-theft "Nemesis"	940902	261,80 €		Wheel clamp, anti-theft	940901	53,55 €
	1 pair of tire protection underlay pads	940900	52,00 €	1	Indoor Car Cover Premium, "L", grey	299909	89,86 €
1	Car cover "FirstClass", Sport large blue	799800	199,99 €	1	Car cover, 190 SL outdoor	199906	189,92 €
1	Car cover 190 SL	199905	188,50 €	2	Box w. armrest, leather black	184800	599,99 €
2	Box w. armrest, leather colored	184801	619,99 €	2	Speaker box 190SL 40W, metal housing	168016	478,48 €
2	Speaker box 190SL, wood, leather, black	168017	519,99 €	2	Set 3pieces, suitcases, leather, fits 190SL	199580	3.299,99 €
3	Book Rep manual, german "Bucheli" 190SL	111303	47,48 €	3	Book: Glens MB Repair & Tune Up Guide	111301	29,75 €
3	Book(german) MB190SL,230-280SL	211300	59,38 €	11	Staubfrei Handfeger Cotton, 35cm	999915	49,99 €
14	Wheel nut wrench, orig, latest version	259101	23,50 €	20	Set: 10 labels engine compartment	179030	30,64 €
21	Bosch label f. battery	154084	9,40 €	22	Label: Beru spark plugs	179029	4,76 €
23	Label: air filter box (D)	179028	4,76 €	24	Sticker "Antisilin", if early washerbag	186707	6,96 €
24	Label: 'Gefrierschutzmittel'(D)	179027	4,76 €	30	25Amp fuse, short version, NOS	258991	5,69 €
40	Jump seat cover, leather black	193190	425,43 €	40	Rear seat assy w.o. upholstery	168375	726,96 €
58	Tire jack holder 190SL	358040	131,69 €	58	Tire jack holder 190SL	158040	179,50 €

59	Wing screw 230SL FN	240006	42,53 €	60	A3269900740 Washer, wing screw	240009	16,54 €
60	Washer 13mm e.g. prop shaft disc bolts	741122	0,50 €	61	Tire jack holder 190SL	164043	130,00 €
62	Lug wrench holder	164041	15,33 €	63	Jack/tool support	164054	126,00 €
64	Support, Tire holder @ inner wheelarch	164058	91,40 €	69	watch "speedometer-face-design" 190SL	199996	169,99 €
69	Armbanduhr "Tacho-Design" Strich-Acht	599996	169,99 €	80	1 pce Wing prot.cover, cotton, magnet	999922	37,00 €
81	Antenna, manual, red knob	299967	101,95 €	85	professional battery charger 10A	954090	267,75 €

