

Mercedes 230 - 280SL (W113)



SLS Import- und Export Handelsgesellschaft mbH

Content

03 Engine M127 M129 M130	5
01 Crankshaft Housing	5
03.a Crankshaft and Pistons	6
03.b Info Pistons 230-280SL (R113)	7
03.c Info Piston Ring Enquiry	8
05.a Cyl.Head, Camshaft, Valves	9
05.b Zyl.Kopfschrauben Info	11
05.c Timing Chain	12
07 Mech.Injection, Air Intake, ...	14
07.a Injection System	14
07.b Injection Pump	15
09 Air-Intake and Aircleaner	15
15 Electrical Equipment at Engine	18
15.a ignition	18
15.c Starter and Generator	19
15.e Electronic Ignition System, "1-2-3"-Retrofit	20
15.e Electronic Ignition System, "1-2-3"-Retrofit	21
07.c electric engine control	21
15.i Info Spark Plugs	22
18 Engine Lubrication	24
22 Enginemounts	25
25, 26 Clutch + 4-Speed-Box	26
25.a Clutch (manual), mechanic/hydraulic components	26
26.a Gearbox (manual)	27
26.b Gearlever Linkage	28
29.i Info Veränderung der Hydraulikteile	29
27 Automatic Gearbox	30
27.a Automatic Gearbox	30
27.b Automatic: Linkage and Connecting Parts	31
25.c Hydr. Clutch	32
27.i Info Belagzustand	32
30 Acc Linkage	33
32, 33 Front suspension	34
33.a Front Axle	34
33.c separate items control arm bearing	35
32 Info Bilstein Shock Absorbers	36
35, 40, 41 Rear Suspension, Wheels, Propeller Shaft	38
35.a Rear Suspension	38
40 Wheels and Propeller Shaft	40
35.b Info Axle Ratio	41
35.c Info Axle Bearing rear	42
42 Brakes	44
42.a Brake (Wheels)	44
42.b Girling brake-caliper	45
43 Mastercylinder	46
42.c Brakepipes	47
42.d Handbrake	48
46 Steering	49
46.a Steering, Linkage	49
46.b Steering Column up to 07.67	49
46.c Steerg. column from 07.67	50
46.d Steering Gearbox, Fluid Pump	51
46.e Special Steering Wheels	53
47 Fuel Tank	54

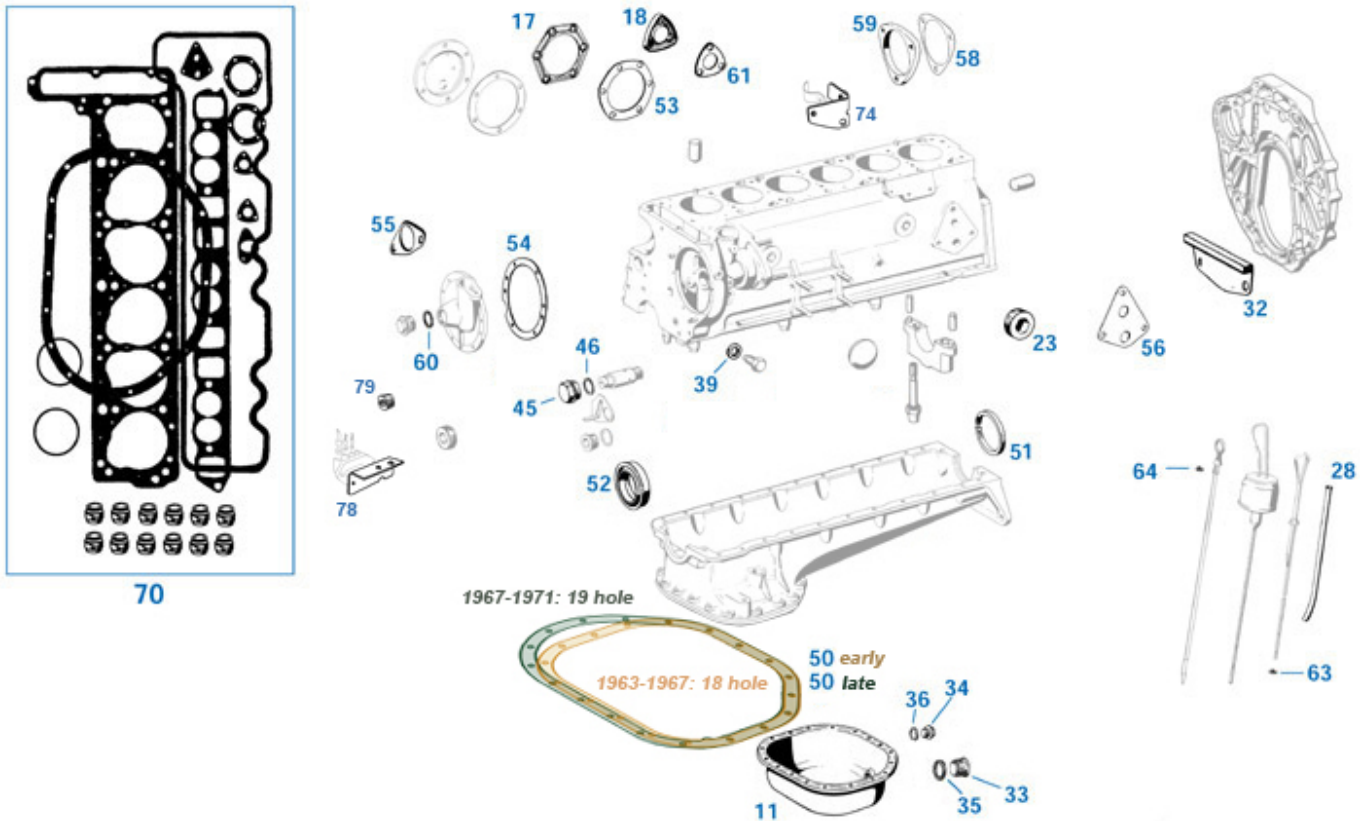
49 Exhaust Systems	56
49.a Exhaust System, standard	56
49.b Stainless Steel Exhaust 230SL 250SL 280SL	57
50 Cooling System	58
50.a Cooling System 230SL	58
50.b Cooling System 250SL	59
50.c Cooling System 280SL	60
54 Electrical Equipment at Body	63
54.a Instruments	63
54.b Main wiring harness	64
54.c Equipment for Cable Harness	65
54.d Rubber Grommets	67
54.i Info Battery Dimensions	68
62 Body, Frame & Panelling	70
61 Floor Panels 230SL 250SL 280SL	70
61.a Info frame rail parts	71
62 Body, front	72
64 Panelling	73
67 Windscreen 230SL 250SL 280SL	76
68 Covering, insulation, wood	77
68.a Dashboard coverings	77
68.b Mats, Noise Reduction	78
68.c Rockerpanel and trim	79
68.d Covering under dashboard	80
68.e Floor mats, info and attached parts	81
72 Door	83
72.a Door	83
72.c Door Window	84
72.d Info window crank handle	85
72.b Info Door Catch	86
89 Locking System	87
75, 88 Trunk, Softtop-Box, Bonnets/Lids	89
88 Engine Bonnet and Grille Garnish	89
75.c Softtop Box	90
75.6 Boot Lid and Trunk Equipment	91
77, 79 Softtop & Hardtop	94
77.a, Softtop frame and equipment	94
77.b, Softtop/Verdeck Stoffbezug	95
79 Hardtop	96
77.c, 86.b Wind protector	98
77.d, 86.c Info MB/Oris wind protector	98
79.b Hardtop Storage	99
81 Mirrors, Sunvisors, Int/Ext Eqmt.	101
82 Lighting and Wiper	103
82.a Lighting Units, standard	103
82.b compatible parts fitting Bosch-Bilux	104
82.c Lighting Units USA, additional Lamps	105
82.d Windscreen wipe/wash	106
82.r Headlamps, Reproduction Overview	107
82.i Info Headlight Halogen or Bilux	107
82.i Info Rückleuchten	108
83 Heater System	110
88.b Chrome Parts, Outer Body	112
91 Seats	114
99.a Accessories	116

Jacobsrade 27 · D-22962 Siek
Tel. +49(0)40 656 939-0 · Fax +49(0)40 656 939-399
I-net: www.sls-hh.de · e-mail: service@sls-hh.de

03 Engine M127 M129 M130

01 Crankshaft Housing

01 Crankshaft Housing



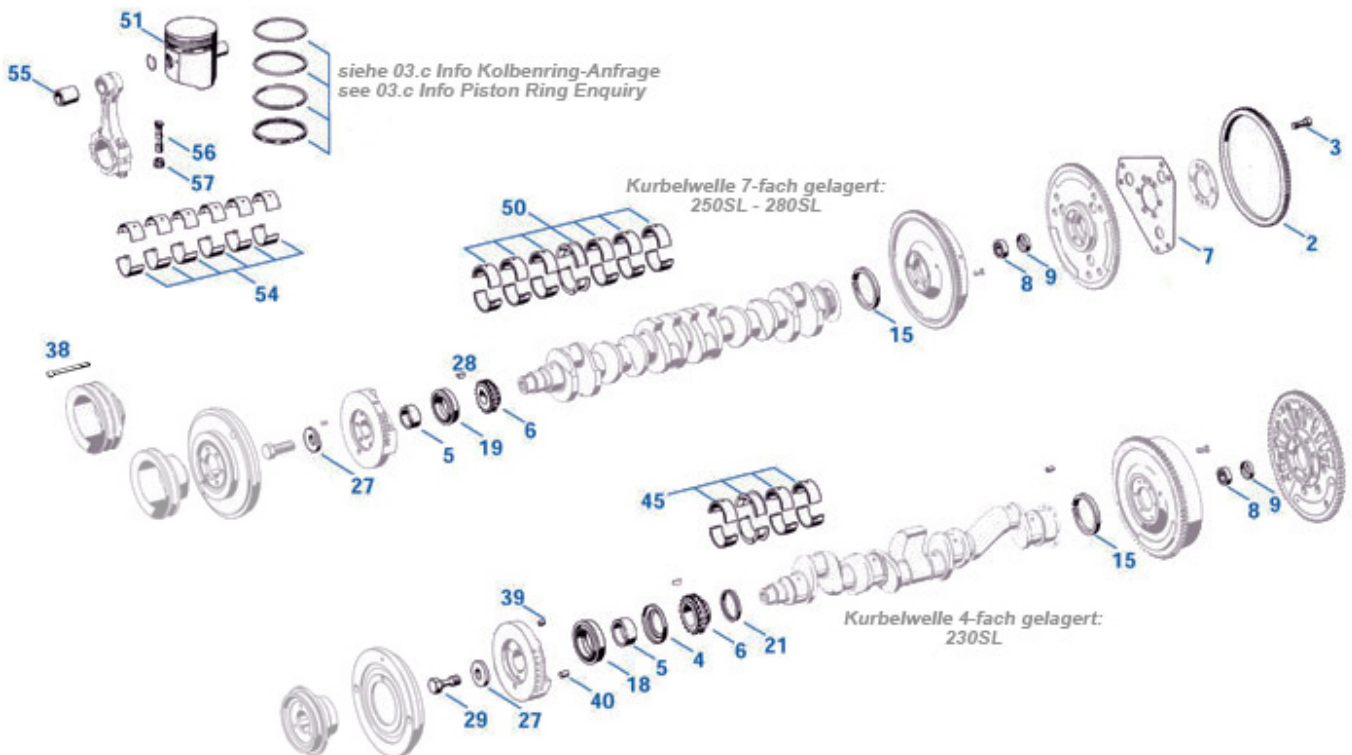
Fastest distinguishing feature for removed engines from non-SL: missing rev counter drive, saloon engine arms. Unfortunately, a list of assignments of the cast fuselage blank part numbers to later engine numbers is not available. The original SL condition includes this type arrangement: 230SL = 113.042 = engine M127.981, detection: 4-way crankshaft bearing, 6-piston injection pump (deviating from M127-220SEb two-piston); 250SL = 113.043 = M129.982 engine, detection: 7-way crankshaft bearing, pistons 82.00 to 83.00, oil-water heat exchanger; 280SL = 113.044 = engine M130.983, detection: pistons 86.50 to 87.50 Both sedan engines and replacement engines can be found in large numbers, including engines without a sticker. The catalogue pages 03.b (assignment of pistons) and 05+05.a (identification and assignment of the head gasket) serve as an aid in the event of an uncertain engine ID. Further changes (e.g. oil pan enlargement shown) took place in the current series (and/or as a result of replacements), so a prior review is advisable.

	Cylinder head gasket 280SL/SE late, brand REINZ-GLASER	201722	79,08 €		Hollow screw e.g.M127 breather banjo	309898	25,13 €
	Seal ring, fits plastic oil filler caps, 47 x 59 x 2,5	701356	1,87 €		Valve spring, Outer	105811	11,50 €
10	Seal, oil filler cap	701355	1,09 €		Washer, M12 cylinder head bolt	101822	2,86 €
	Washer 8,4mm, standard, yellow zined	299326	0,11 €	10	Bolt 6x16 e.g. pan, in-hex	701319	0,48 €
11	Lower pan, oil pan, 280SL replaced style	201214	22,16 €	17	Cylinder block cover, 6-hole	201026	2,05 €
17	Bolt M6 x 12 in-hex	299043	0,36 €	18	Sealing plate , 3 hole, 280SL	201027	1,46 €
23	Hexagon socket pipe plugs with taper fine pitch thread M30X1,5	201005	4,88 €	23	A1272000456 Fitting, oil heat exchanger	201006	42,84 €
28	Dipstick pipe from 09.'68, to 218117	218114	28,43 €	31	Dipstick,280SL late, Repro, poor paint	218117	29,93 €
32	Cover plate eng-to-autm flange early	225058	95,72 €	32	Plate , cover, gearbox case	225056	33,97 €
33	Gasket,water valve cover, 6-hole	201029	2,00 €	33	Sump plug, version inhex	299300	4,69 €
34	Plug screw oil sump M12 (fits replaced pan)	299312	1,32 €	34	Plug screw oil sump M12 (fits replaced pan)	299302	0,81 €
35	Sealing ring fits lage sump drain plug (M26)	299301	0,31 €	35	Gasket, thermostate	120011	1,32 €
35	Gasket, housing to engine	220014	1,25 €	36	Seal ring, sump plug	299303	0,13 €
37	parallel pin, tolerance zone m6, 10 X 14	101190	1,34 €	39	alu seal ring M12, eg.eng.block @ chain	298712	0,13 €
40	sealing ring, aluminium 30mm	215032	0,81 €	45	Plug screw M18 e.g. pressure valve	218815	15,66 €

45	Plug screw M24 e.g. pressure valve	218816	29,75 €	46	Seal Ring gear box drain plug	226047	0,44 €
50early	Sump gasket early (=18-hole), brand DPH	201800	12,20 €	50early	Sump gasket early (=18-hole), brand Elring	201000	18,59 €
50late	Sump gasket late (=19-hole), 280,..., Elring	201001	16,96 €	50late	Sump gasket late (=19-hole), 280,..., DPH	201801	16,61 €
51	Rear oil seal, 8 mm, from ca. 05.'61	205046	8,71 €	52	Oilseal, C/S frt., no collar	203046	20,38 €
52	C/S seal ring frt 6-cyl, collar 180°	203946	13,23 €	52	Seal ring C/S frt M127 early, slim shape	303046	12,20 €
52	C/S frt seal ring, collar 360°,M127+others, picture	303946	9,38 €	54	Gasket, front engine cover	215724	4,02 €
54	Gasket, front engine cover	215824	6,13 €	56	Gasket, upr.filter hsg./engine small cover gasket	118008 201828	1,69 € 0,99 €
58	Gasket, injectuon pump->engine	207835	1,15 €	61	O-ring, dip stick late (plastic handle)	218119	0,62 €
61	Gasket, water cover M130 and M110, 3-hole	201028	0,84 €	70	Cylinder head gasket 280SL, late M130.983-10 from engine number	201622	164,47 €
70	Set gasket rings	201199	18,78 €	74	bracket, oil pipe M130 near pump flange	218286	30,58 €
74	bracket, oil pipe, M130	218288	30,58 €	78	Rubber grommet 11/30, blue silicon rubber	299517	1,59 €
78	bracket, wire terminal at oil pan	215154	30,58 €				

03.a Crankshaft and Pistons

03.a Crankshaft and Pistons



	A130030112001 Con rod 280SL/S/SE	203013	213,27 €	see 203091	203089	69,39 €	
	Rings per piston, Mahle 82V33+, 4rings	203001	62,89 €	Piston ring set 82,50 mm, Mahle 3 ring	203003	239,79 €	
2	Ring gear, starter, all M127,129,130	203200	54,92 €	3	Flywheel stretch bolt	103029	9,98 €
3	Bolt, flywheel, man.250-280 M12x20	203029	26,86 €	3	Bolt, flywheel Autm. 129-130, 127FN	203027	42,19 €
4	Oil reject ring	103012	7,79 €	5	Ring, spacer, 230-280SL	203045	31,00 €
6	Crankshaft sprocket	103011	36,28 €	7	disc, flywheel to autm drive 127FN,110	203105	92,03 €
8	Pilot bearing	103093	3,83 €	9	Cover, pilot bearing	103094	1,81 €
15	Rear oil seal, 8 mm, from ca. 05.'61	205046	8,71 €	18	C/S frt seal ring, collar	303946	9,38 €

18	Seal ring C/S frt M127 early, slim shape	303046	12,20 €	19	360°,M127+others, picture C/S seal ring frt 6-cyl, collar 180°	203946	13,23 €
19	Oilseal, C/S frt., no collar	203046	20,38 €	27	Washer	103083	7,14 €
29	Necked down bolt for crankshaft pulley	103085	8,21 €	32	fly wheel extracting tool	258205	308,20 €
38	In-Hex bolt e.g. pulley, 10.9 M8x65	203274	1,33 €	45	Cs.bearing set 59.50mm M127	203038	189,45 €
45	Cs.bearing set 230SL 59.75mm	203037	190,00 €	45	Cs.bearing set 230SL 59.00mm	203040	176,00 €
45	Cs.bearing set 230SL 59.25mm	203039	163,86 €	45	Cranks.bearing set 60.00 , M127	203036	199,99 €
50	Crank Shaft Bearing Set 280SL 60.00mm	203120	229,00 €	50	Cs.bearing set 59.00mm, M129, M108	203119	209,00 €
50	Cs.bearing set 59.25mm, M129, M108	203118	222,45 €	50	Cs.bearing set 59.50mm, M129, M108	203117	233,00 €
50	Cs.bearing set 60.00mm, M129, M108	203041	176,00 €	50	Cs.bearing set 280SL 59.25mm	203123	176,00 €
50	Cs.bearing set 59.75mm, M129, M108	203042	182,07 €	50	Cs.bearing set 59,50mm, M130, ...	203122	176,00 €
50	Cs.bearing set 59.75mm, M130	203121	176,00 €	51	Piston 230SL from FN, 83.00 last on stock:Piston,230SL FN 82.00mm	203035	712,31 €
51	Piston for 230SL first generation, 83.00mm	203034	383,53 €	51	Piston,280SL Euro 87.50mm	203030	300,01 €
51	Piston,280SL Euro, 87.00mm, Mahle	203084	173,80 €	51	Piston,250SE/SEC/SL 82.50mm	203086	160,98 €
51	A1140309417	203050	159,20 €	51	Piston,250SE/SEC/SL 82.50mm	203052	159,20 €
51	Piston,250SE/SEC/SL 82.00mm	203053	155,18 €	51	Piston,280SL Euro 86.50mm	203080	171,18 €
51	Piston,250SE/SEC/SL 83.00mm	203085	124,91 €	54	Con rod br. set 280SL 47.75mm	203141	163,86 €
54	Con rod br. set 280SL 47.00mm	203144	163,86 €	54	Con rod br. set 280SL 47.25mm	203143	163,86 €
54	Con rod br. set 47.50 mm, 280SL	203142	163,86 €	54	Con rod br. set 48.00mm, 280SL	203140	163,86 €
54	Con rod br. set 250SL 47.25mm	203138	163,86 €	54	Conrod bearg. set 47.50 mm, M129...	203137	163,86 €
54	Con rod br. set 250SL 47.75	203136	163,86 €	54	Con rod br. set 48.00mm, M129...	203135	163,86 €
54	Con rod br. set 230SL 47.25mm	203133	163,86 €	54	Con rod br. set 47.50mm, M127...	203132	163,86 €
54	Con rod br. set 230SL 47.75mm	203131	163,86 €	54	Con rod br. set 48.00 mm, M127...	203130	163,86 €
55	Piston pin bushing, 280SL	203014	9,98 €	56	Stretch Bolt for connecting rods, 190, 230 up 4-65, Repro	103075	11,65 €

03.b Info Pistons 230-280SL (R113)

03.b Info Pistons 230-280SL (R113)

Kolben 82-83mm, 230SL, 250SL, Ersatzteile heute, teils durch Ersetzung, Zwischenstufen (0.25) entfallen

	Version	von	Version	bis	Std-Maß	1. Rep.-Maß	2. Rep.-Maß	Bolzen	Kompr.-Höhe Bolzenmitte->Boden	Ringe
	10/12/20/22	lfd. Mot-nr.	10/12/20/22	lfd. Mot-nr.	82,00mm	82,50mm	83,00mm	mm	mm	
1. Generation 230SL	Schalter Autom.	06420 01311	Schalter Autom.	009301 002357	203030	203028	203034	24,0	42,2	4
2. Generation 230SL	Schalter Autom.	009302 002358	Schalter Autom.	010833 003010	203024	203043	203044	24,0	52,2	3
3. Generation 230SL	Schalter Autom.	010834 003011	Schalter Autom.	Ende Ende	203031	203033	203035	25,0	52,2 / 51,6 / 51,6 je -1,0 Absatz	3
250SL	M129.980/981/982 alle				203050	203052	203053	25,0	48,6	3

Kolben 86,5-87,5mm, 280SL, (S/SE auf Anfrage) Ersatzteile heute, teils durch Ersetzung, Zwischenstufen (0.25) entfallen

	Version	von	Version	bis	Std-Maß	1. Rep.-Maß	2. Rep.-Maß	Bolzen	Kompr.-Höhe Bolzenmitte->Boden	Ringe
	10/12/20/22	lfd. Mot-nr.	10/12/20/22	lfd. Motor-nr.	86,50mm	87,00mm	87,50mm	mm	mm	
280SL std. alle, 280SL USA 1. Generation	Schalter Autom.		004596 007229		203080	203084	203086 88,00 falls erhältlich: 203088	25,0	49,2 / 48,6 / 48,6 je -1,3 Absatz	3
280SL USA 2. Generation	Schalter Autom.	004597 007230			203081	203085	203087	25,0	47,9	3

Die erhältlichen Kolben sind jeweils die letzte Version einer "Generation".
Mehrfache Änderungen haben speziell im 230SL zu einer Vielzahl veralteter
Kolbenbauarten geführt.
Der Ersatz kann Änderung der Verdichtung zur Folge haben.

Vor Bestellungen bitten wir um Angabe aller erkennbaren Maße und Zeichen
auf den ausgebauten Kolben.

The available pistons are always the latest version of a "generation".
The 230SL-engine had a couple of changes, which caused a high number of
obsolete piston designs.
The replacement may cause a different compression ratio.

Please send all visible signs and measures of the dismantled pistons.

203028	A1270308517 Piston,230SL FN 82.50mm	203828	291,55 €	203030	last on stock:Piston,230SL FN 82.00mm	203030	300,01 €
203034	Piston for 230SL first generation, 83.00mm	203034	383,53 €	203035	Piston 230SL from FN, 83.00	203035	712,31 €
203050	A1140309417 Piston,250SE/SEC/SL 82.00mm	203050	159,20 €	203052	Piston,250SE/SEC/SL 82.50mm	203052	159,20 €
203053	Piston,250SE/SEC/SL 83.00mm	203053	155,18 €	203080	Piston,280SL Euro 86.50mm	203080	171,18 €
203084	Piston,280SL Euro, 87.00mm, Mahle	203084	173,80 €	203085	Piston,M130 USA FN 87.00mm	203085	124,91 €
203086	Piston,280SL Euro 87.50mm	203086	160,98 €	203087	Piston M130 USA late, 87,50mm	203087	117,17 €

03.c Info Piston Ring Enquiry

03.c Info Piston Ring Enquiry



Hinweis zur Anfrage von Kolbenringen How to require piston rings

Kolben-Identifizierung allein anhand von Motordaten ist leider nicht möglich.

Eine Bestellung von Kolbenringen erfordert deshalb zwingend diese Angaben:

Piston identification and piston ring order necessarily needs following data:

Kolbenhersteller
Piston manufacturer



Zahl der Ringe
No. of rings

Wichtig:
Guss-Nummer
/Typ Nummer

Important:
cast- / type no.



Im Normalfall wird ein Satz Ringe PRO KOLBEN angeboten. (IN SONDERFÄLLEN sind auch Sätze PRO MOTOR möglich.)
Usually rings are offered for 1 piston. (SOMETIMES rings for 1 engine can be offered.)

Tipp zur Motorinstandsetzung: beginnen Sie keine Bearbeitung von Oldtimer-Motorblöcken bevor ein Vergleich der Alteile und Neuteile stattgefunden hat. Bekannte Schwierigkeiten:
- Liefersituation kann unzuverlässig sein
- Rep.-Maße nicht lückenlos erhältlich
- Produktions-Soll-Maße können leicht schwanken
- alter Motor enthält Fremdbauteile
- Bauart ersetzter Teile weicht ab.
Ihr professioneller Motoreninstandsetzer ist mit der Situation vertraut und kann nach Befund eine Empfehlung aussprechen. Zur Ermittlung von Reparaturgrößen können Probebearbeitungen nötig sein. Umtausch nicht möglich, wenn Teile oder Verpackungen beschädigt sind.

Hint for engine recondition: Please don't start any work on your vintage engine blocks before comparing the old to the new parts. Known difficulties:
- Delivery situation might not be reliable
- Not all repair measures are available
- Production measures may differ
- Type of replaced parts may differ
Your professional engine-workshop is familiar with the situation. After compliance status he can recommend what to do. To find out the right repair measures it might be necessary to do test works. Return/exchange is not possible if parts or packaging is damaged.

Motor: 280SL USA 1971
-Nr: 130.983-12-023456

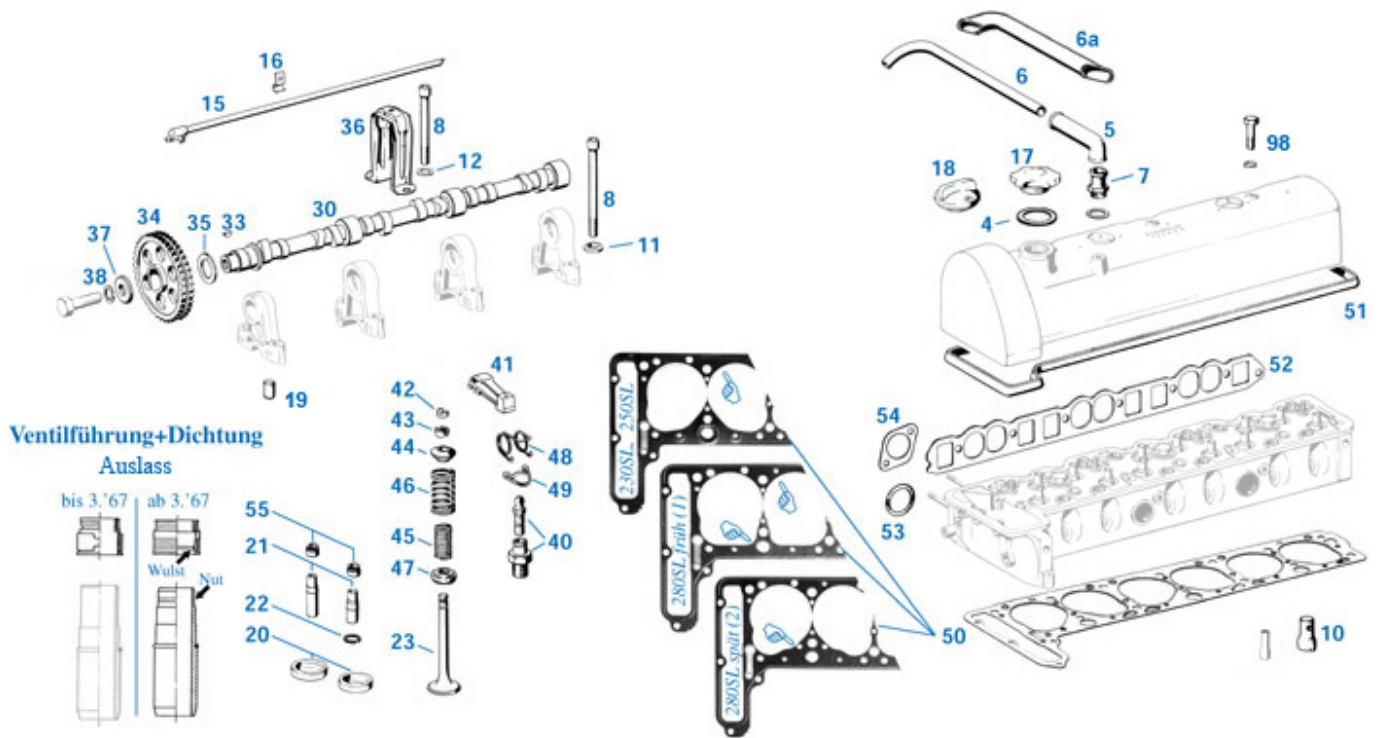
Besonderheit: Zylinderbohrungen und Pleinflächen vormals bereits nachgearbeitet

alte Kolben Ident	Mahle 86V16, 3 Ringe	Felder für Sachbearbeiter
Kolbenmaß	87,00mm	130 030 9017
Bestellwunsch	Ringe alle 6 Kolben	ex A 000 030 8824 SLS 203094

nach Daten	Rings per piston, Mahle 82V33+, 4rings	203001	62,89 €	nach Daten	Pistonrings 87,50	203097	300,05 €
nach Daten	Engine-set Pistonrings 82.00 fits 82V37 Mahle 3 rings	203102	327,25 €	nach Daten	see 203091	203089	69,39 €
nach Daten	Rings per engine, 82.50, to 82V33	203806	287,55 €	nach Daten	Rings per engine, 82.50 eg. Nüral 3-R	203807	218,79 €
nach Daten	Rings per engine, 82.00, to 82V33	203805	287,55 €	nach Daten	Piston ring set 87.00mm f.Mahle, per ca	203195	275,04 €
nach Daten	Rings per engine 83.00"82V59" fits Mahl	203109	287,55 €	nach Daten	Rings per engine, 82,50mm, 6x3rings	203108	243,80 €
nach Daten	set piston rings 83.00 for 81V8	203107	218,79 €	nach Daten	Rings per piston 82.50 fits Mahle 82V36	203104	32,51 €
nach Daten	rings per piston, 87.50, fits 86V16 3-R	203096	69,39 €	nach Daten	Piston ring set 82,50 mm, Mahle 3 ring	203003	239,79 €
nach Daten	Piston ring set 280SL FN 87.0	203095	68,76 €	nach Daten	Rings per motor 87,00 4 pcs/piston	203093	356,31 €
nach Daten	Ringe pro Motor 86,50 M130, 4 pro Kolbe	203092	369,99 €	nach Daten	Rings for 1 piston 86,5mm M130 Mahle 86V..	203091	56,26 €
nach Daten	Rings per engine 82.00, e.g. 82V36	203020	216,81 €	nach Daten	Piston ring set 82.00mm f.Mahle, per ca	203010	242,70 €
nach Daten	Ring set per engine, fits 82.00mm NÜRAL	203008	199,99 €	nach Daten	Piston ring set 230SL FN,82.50, 1car	203007	218,79 €
nach Daten	Rings per piston, fits 82.5 Mahle 4-R	203006	65,45 €	nach Daten	Eng.-Kit Rings 83.00 6x3 rings	203004	256,29 €

05.a Cyl.Head, Camshaft, Valves

05 Cyl.Head, Camshaft, Valves

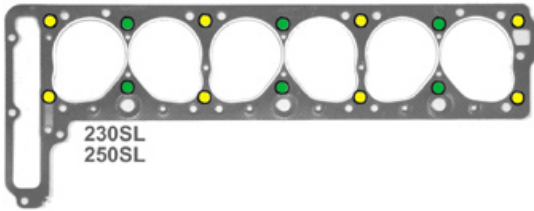


	Set CS bearings, fits repair size -0.25	205121	533,18 €		Gasket, valvecover M127-130E	201899	7,69 €
	stud 8x18, e.g. camsh. supports @ head	201918	1,25 €		Plug screw, in-hex-key version: 130.980/984 from FN	899016	31,65 €
	InHex bolt, 112.9, M8x20, i.e. head frt	201113	1,89 €		Valve stem seal, inlet 230-280	205885	1,36 €
	Valve lock, 1 hal, ->'67	105046	6,00 €		Pin for chain guide, L 48,5mm	105830	12,25 €
	Valve seal outlet 230SL	205986	17,24 €		Plug screw, outer hex-key version: earlier than Inhex	299016	32,13 €
	Breather tube 220SE-230SL early	309007	109,28 €		Tube, eng. breather early	309008	115,00 €
4	Tube, eng breather 1965/1966	309009	74,29 €	4	Seal, oil filler cap	701355	1,09 €
4	Sealing ring, oil cap (metal screw on cap)	101055	4,30 €	4	Seal ring, fits plastic oil filler caps, 47 x 59 x 2,5	701356	1,87 €
5	Engine ventilation	209805	5,02 €	6a	Hose, breather + waterpipe protection	209006	13,46 €
6	Breather Plastic Tube A1290160030	209807	24,51 €	7	Hollow screw e.g. M127 breather banjo	309898	25,13 €
7	Seal ring 18x22 Al	109019	0,94 €	7	threaded fitting, hood to breather hose	209810	20,00 €
8	Cylinder head bolt 105mm for engine M121 921,127,129,130	101105	5,99 €	8	cylinder head screw 140mm	201140	9,98 €
8	cylinder head bolt 114mm, M12	201114	6,44 €	11	Washer, M12 cylinder head bolt	101822	2,86 €
15	Oilpipe above camshaft W113 all	205043	266,99 €	16	Clamp, e.g. oil-pipe, wires	199025	4,22 €
18	Oil filler cap,	250802	10,95 €	18	Oil filler cap, metal/snap-on	250702	12,85 €
18	Oil filler cap, plastic/snap on	250102	3,74 €	19	cylindrical bolt 8 x 12, cam stands, crank frt	299917	0,69 €
21	Valve guide outlet 14.40 mm M127	205890	17,85 €	21	Valve guide inlet 14.031 mm	205230	12,02 €
21	Valve guide outlet 14.018 mm M127	205870	17,26 €	21	Valve guide outlet 14.20 mm M127	205880	25,64 €
21	Valve guide outlet 15.031 mm M129/130	205370	14,10 €	21	Valve guide inlet 14.20 mm	205240	18,21 €
21	Valve guide outlet 15.20 mm M129/130	205380	12,74 €	23	Exhaust valve, 230 SL, Na filled	205003	35,08 €
23	Valve, inlet, 220SEb, 230SL, Aftermarke	205902	24,50 €	23	Valve, Exhaust, M129/130, brand "Freccia"	205741	42,84 €
23	Inlet valve 250S-280S/SE/SL	205031	29,99 €	30	Camshaft 230SL	205000	800,00 €

30	A1140510201 Camshaft 280SL Euro FN	205009	799,00 €	30	Camshaft 230SL, .."8401"	205700	699,95 €
33	A6219910467 Woodruff key, 4° cs.	205078	13,99 €	33	woodruff key, standard, 4mm	205077	1,00 €
34	Camshaft sprocket M121,127,129,130,.. FEBI	105001	23,47 €	35	Spacer 2.7 mm behind camshaft sprocket	205818	17,50 €
37	Shim, camshaft sprocket	105021	3,93 €	37	Disc to screw camshaft sprocket	105821	9,52 €
38	Spring washer 14mm e.g. cam wheel	105028	0,55 €	40	Rocker arm pin, 190,230,250, Repro	205842	62,00 €
40	Pin bolt for valve rocker, from M130	205839	62,00 €	41	Rocker arm, FEBI	205040	25,36 €
41	Rocker arm inlet/outlet	205840	28,92 €	42	Shim 280SL FN 3.5mm	205048	32,00 €
42	Shim 280SL FN 2.5mm	205049	33,62 €	42	Shim 280SL late, 4.5mm = standard	205047	32,94 €
42	Thrust piece 2.5mm	205038	19,93 €	42	Thrust piece 4.5mm ->5.69 (FN)	205036	25,89 €
42	Thrust piece 3.5mm	205037	27,13 €	43	Valve collet, 1 half, '67-> (from 250)	205035	0,65 €
45	Valve spring inner, 230SL	205005	43,98 €	46	Valve spring 230SL, outer	205806	29,99 €
46	Valve spring 230SL, outer	205006	34,32 €	49	Spring, circular, 280SL	299015	36,50 €
49	Spring, rocker base bolts ->'67	105029	6,40 €	50	Cylinder head gasket 280SL, late M130.983-10 from engine number	201022	80,30 €
50	Cylinder head gasket 280SL, late M130.983-10 from engine number	201622	164,47 €	50	Cylinder head gasket 230-250SL, brand Elring	201023	85,79 €
50	Cylinder head gasket 280SL/SE late, brand REINZ-GLASER	201722	79,08 €	50	Cylinder head gasket 280SL, early M130.983-10 up to engine	201021	68,44 €
50	Cylinder head gasket 230-250SL, brand REINZ-GLASER	201723	78,27 €	51	Gasket, valvecover engine M127 - 130E	201099	20,66 €
52	Manifold Gasket M127-130 "REINZ"	249090	14,40 €	52	Gasket Intake/Exhaust M127-130, ELRING	249990	14,54 €
53	O' Ring tensioner to head	205135	0,55 €	54	Gasket, thermostate	120011	1,32 €
55	Valve seal, inlet, M127 - M130	205085	1,84 €	55	Valve stem gasket set 129+130, brand Elring	205790	23,53 €
55	Valve seal, outlet, 230SL	205086	4,41 €	98	Hex bolt M8 x 30	915057	1,14 €

05.b Zyl.Kopfschrauben Info

05.a Zyl.Kopfschrauben Info



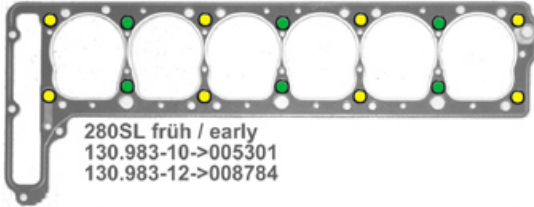
230SL
250SL

- 105mm = SLS [101105](#)
- 140mm = SLS [201140](#)
- 114mm = SLS [201114](#)
- 144mm = SLS [701144](#)

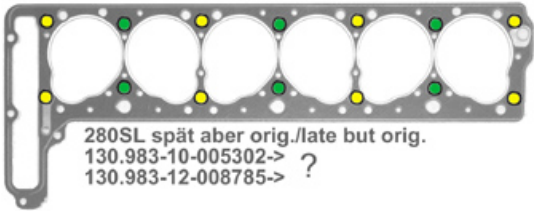


Bauart der Schrauben: siehe Produktbilder
Anzugsmomente: Werkstattdokumentation und
Angaben der Kopfdichtungs-Beilage beachten

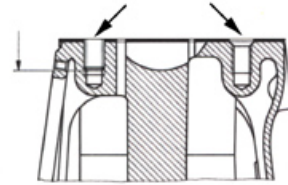
Bolt design see product illustration,
torque see workshop manual and
head gasket product info



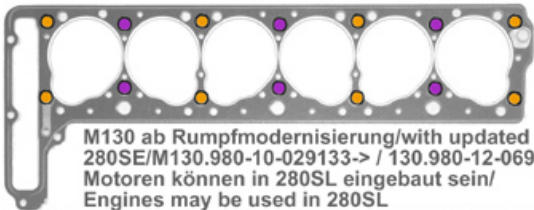
280SL früh / early
130.983-10->005301
130.983-12->008784



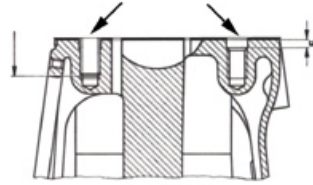
280SL spät aber orig. / late but orig.
130.983-10-005302->
130.983-12-008785-> ?



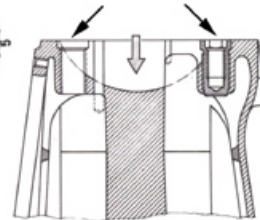
2.8 I , 2.8 II



M130 ab Rumpfmodernisierung / with updated block
280SE/M130.980-10-029133-> / 130.980-12-069853->
Motoren können in 280SL eingebaut sein/
Engines may be used in 280SL



2.8 III



2.8 IV

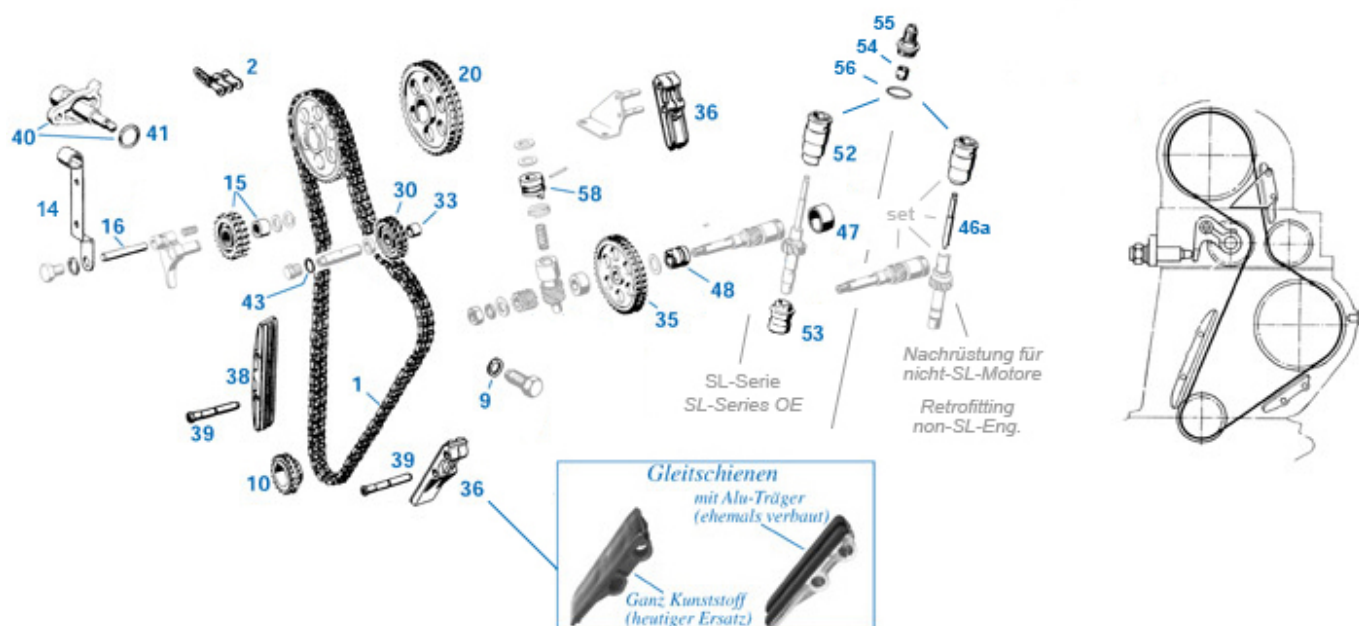
* der Einsatztermin im 280SL ist widersprüchlich: MB-Ersatzteilliteratur: "nicht.983", MB-Werkstattdokumentation: "auch SL ab FG 016450".
Da auch SE-Motoren eingebaut sein können, empfehlen wir Prüfung der tats. Gewindetiefe.

implementation date of this change is uncertain: MB-parts manual: "not.983", MB-workshop manual: "used in SL from ch.016450".
We recommend to check the real thread depth.

	Washer, M12 cylinder head bolt	101822	2,86 €	105	Cylinder head bolt 105mm for engine M121 921,127,129,130	101105	5,99 €
113	InHex bolt 12.9, M8x30, sump, ...	118018	2,05 €	113	InHex bolt, 112.9, M8x20, i.e. head frt	201113	1,89 €
114	cylinder head bolt 114mm, M12	201114	6,44 €	140	cylinder head screw 140mm	201140	9,98 €

05.c Timing Chain

05 Timing Chain

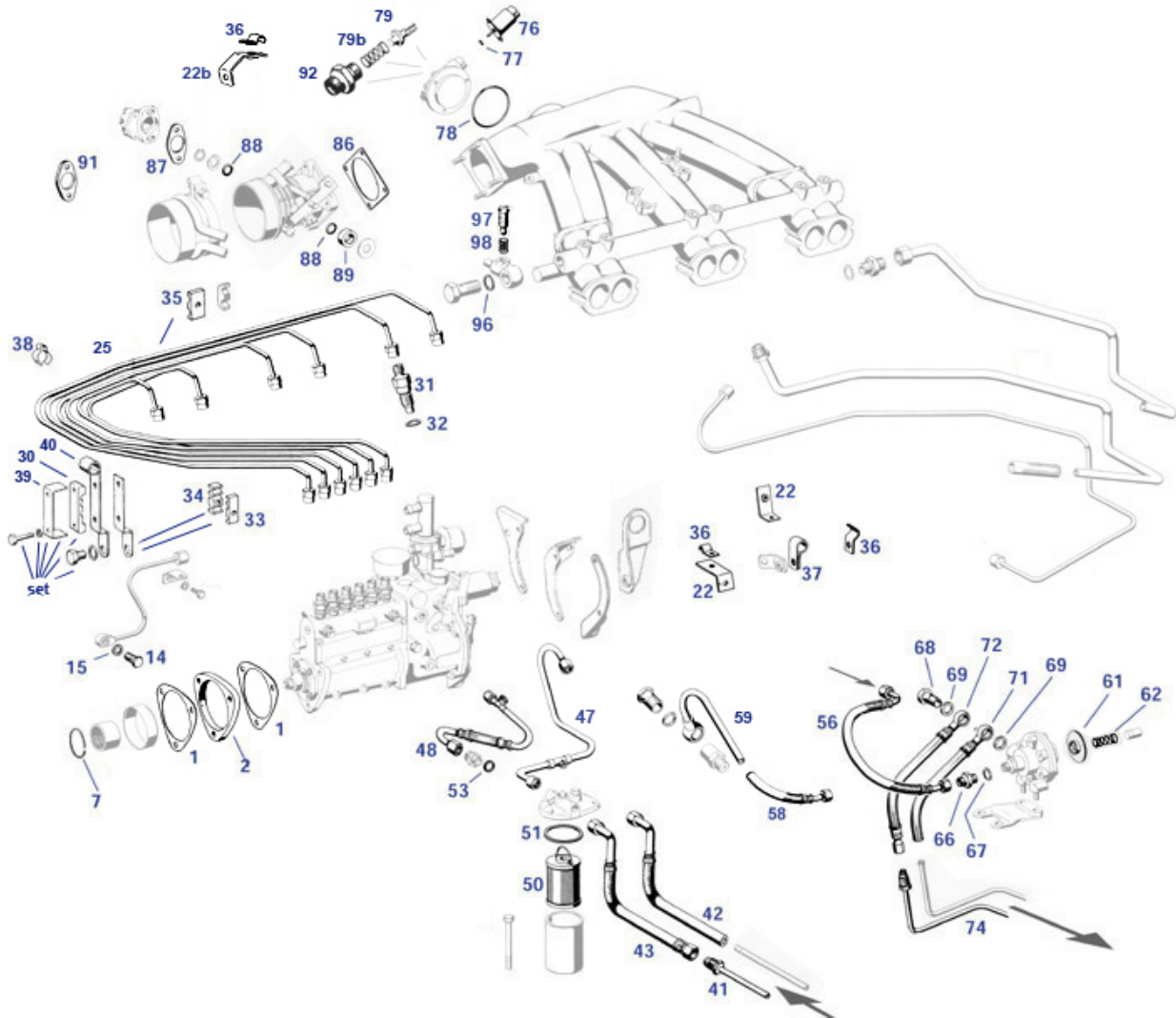


	Rocker arm pin, 190,230,250, Repro	205842	62,00 €		sealing ring, aluminium 30mm	215032	0,81 €
	Pin	705804	13,76 €		Plug screw M24 e.g. pressure valve	218816	29,75 €
2	Rocker arm inlet/outlet	205840	28,92 €	1	Roller chain, with connector	299013	56,61 €
	MasterLink Duplex chain (content of chain)	199013	2,55 €	9	alu seal ring M12, eg.eng.block @ chain	298712	0,13 €
10	Crankshaft sprocket	103011	36,28 €	14	Bracket, pipe bundle and eng.hangup	220074	26,60 €
15	Tensioner sprocket+bushing, Repro	105002	156,95 €	16	Shaft for lever, tensioner	205814	10,00 €
18	retaining rings for shafts 20 X 1,2	299498	0,26 €	19	Spring	299113	8,09 €
20	Camshaft sprocket M121,127,129,130,.. FEBI	105001	23,47 €	30	Sprocket, offset incl.205026	205025	110,04 €
32	Bolt, offset sprocket	205024	74,85 €	35	Intermediate chain gear	205822	165,40 €
36	Chainguide,new,all plastic	205010	2,82 €	36	Chainguide short, design meets old original	105006	189,97 €
38	Chainguide, long, plastic, FEBI	205029	3,67 €	38	Chain guide, long, alu base	105004	145,92 €
39	Pin for chain guide, L 48,5mm	105830	12,25 €	40	Chain tensioner	205130	349,50 €
41	O' Ring tensioner to head	205135	0,55 €	43	Seal Ring gear box drain plug	226047	0,44 €
45	drive pin, rev-ctr, only fits at 205719	205819	63,55 €	47	Bush, timing, rear	205027	7,90 €
48	Bushing, intermediate sprocket shaft	205020	59,98 €	52	thrust bearing, full length 56,9mm	218489	101,39 €
52	thrust bearing Length 57,3mm	218410	94,01 €	53	A6151810026 Bearing,thrust, lower ring, upper shaft	218411	88,77 €
54	Seal ring speedo/rev drive	126039	4,88 €	55		218417	8,94 €
55	Threaded bushing connects, rev. ctr.	205050	94,62 €	56	O-ring, eng. housg	218412	0,55 €

07 Mech.Injection, Air Intake, ...

07.a Injection System

07.a Injection System

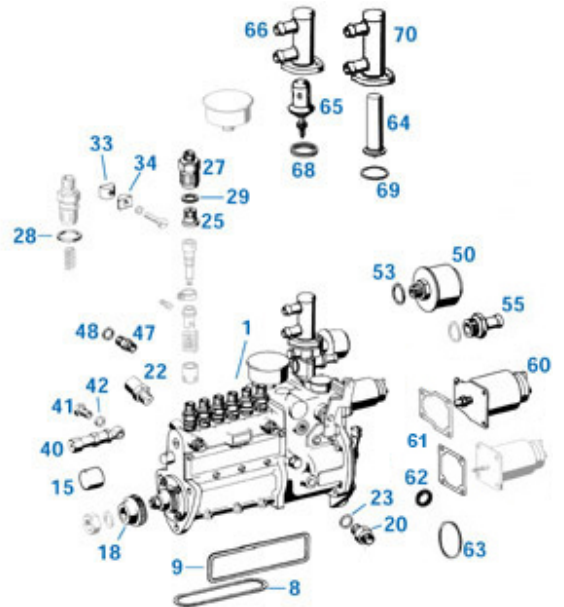
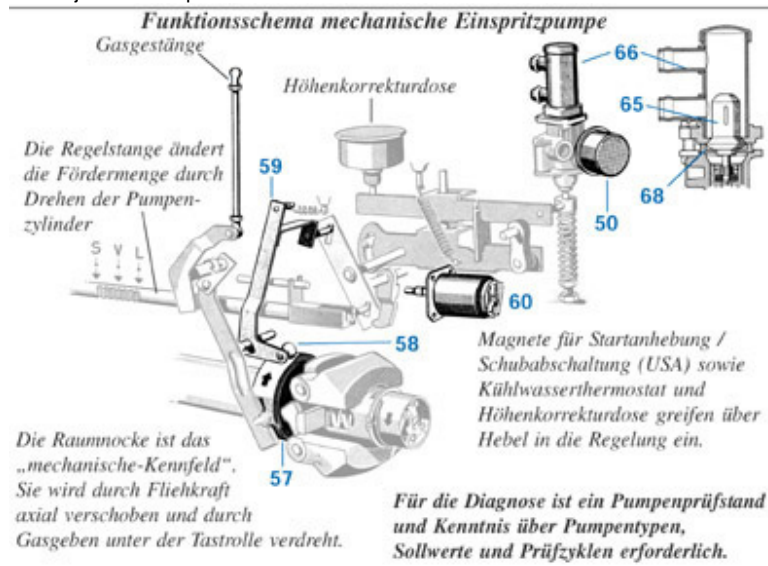


	Pipe,ff - fp.250-280SL, flexible section	247719	69,00 €		A1300700040 Bracket, 280SL early type	207210	55,16 €
1	Gasket, injectuon pump->engine	207835	1,15 €	2	Flange,isolating,250-280SL, genuine quality	207940	31,25 €
2	Flange,isolating, M127, genuine quality	207942	36,34 €	7	Ring, spacing,inj. Pump	235034	1,64 €
14	Hollow screw, air venting	220010	2,48 €	15	Sealing ring ID8, eg. for hollow screw	220011	0,10 €
22b	bracket for tube clamp at throttle housg	214207	30,58 €	25	Set 6pcs inj.lines 230SL, 250-280SL/SE, repro	207805	599,99 €
30	Rubber pad,bracket,fr.,inj	207157	6,63 €	31	Injector 230SL, 250+280SE/SL	207104	232,62 €
32	Copper seal ring	207115	0,18 €	33	metal spacer, fuel pipe mount, 3-notch	207012	22,29 €
33	Pipe support,inj., (4 pipes)	207011	16,02 €	34	Bolt "long", pipe mounts (M5x30)	207030	1,76 €
34	Plastic spacer, inj. pipe supports	207009	24,99 €	35	Bolt "short", pipe mounts (M5x18)	207018	1,31 €
35	half clamp, metal, 2-lines-mount	207008	7,59 €	36	Clamp 5mm e.g. brake lines	143038	0,50 €
36	Clamp, rear floor, fits 6mm wire or pipe	242059	3,71 €	37	Bracket clamp, warmup air pipe, waterp.	220087	2,84 €
38	Spring clip,vac. pipe to fuel line	299471	15,15 €	39	clamp at pipe-support	220076	8,35 €
39	Spring washer M5	299325	0,11 €	40	Bracket, pipe bundle and eng.hangup	220074	26,60 €
41	Fuelfeedline230-280SL	247032	115,00 €	42	Hose,ff.,230SL to vn.013014, W111, ..	247002	44,95 €
42	Hose clamp 15mm	947997	3,09 €	43	Hose,ff.,230SL FN ,250-280SL	247003	86,28 €

48	Tube studs w. fittings for 1290700632	247819	34,93 €	50	Filter element R113+M110 early	247701	7,40 €
51	Sealing ring, fuel filter	247020	0,92 €	53	Seal ring 14mm Alu	207186	1,08 €
56	Fuel hose, return way	247104	83,00 €	59	Banjo Fitting 230SL up to vn 010687	247018	87,83 €
61	diaphragm for damper, fuel return	207803	33,20 €	62	N/A coil spring, damper, fuel return	207804	20,00 €
67	Seal ring e.g. fuel damp housg	207178	1,46 €	68	Hollow screw, M14 x 1,5	207276	2,34 €
72	Flexi Fuel Line for Injection Damper Cage - 250/280 SL	247017	49,98 €	74	Return fuel line about 300 cm	247027	101,95 €
76	Solenoid,cst. valve(1 pole)	214014	238,00 €	77	Seal ring,cst. valve solenoid	214022	1,96 €
78	Sealing ring, cst. control	214013	1,96 €	78	gasket 280 from large manifold	214026	3,57 €
79	valve needle cold start valve, brass, 6mm	214822	27,91 €	79b	spring for valve needle cold start valve,	214823	4,40 €
86	Gasket, throttle flap housing	214012	7,60 €	87	Gasket,idler switch,metal	214080	3,69 €
87	Gasket,idler switch,metal	214780	3,69 €	88	O'ring,throttle flap shaft, M127/M100	214070	2,20 €
89	Sealing ring,throttle shaft	143005	4,93 €	91	Cap, throttle flap shaft	214074	55,22 €
92	fitting with strainer, cold start valve	214829	80,50 €	96	Copper ring 18mm	214079	0,24 €
97	Idle air screw 127.981 up to FN	214036	36,03 €	97	Idle air screw M127 from FN, M129, M130	214016	44,80 €

07.b Injection Pump

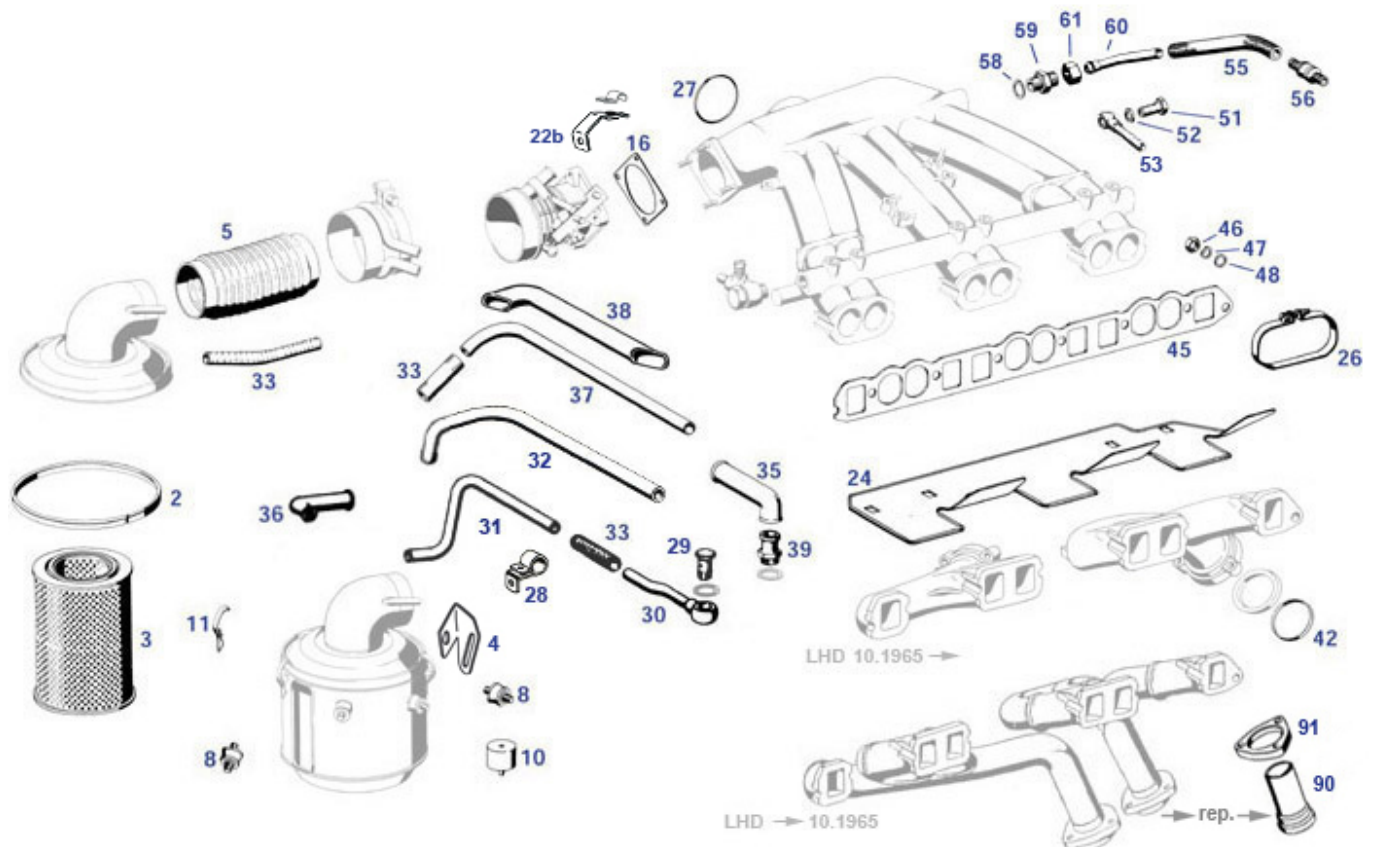
07.b Injection Pump



	Thermostat,inj.,'67->, incl. steel seal	207821	47,60 €		valve needle oiler valve, steel, 5mm	214821	23,12 €
	Flange,isolating, M127, genuine qalty	207942	36,34 €		Flange,isolating,250-280SL, genuine quality	207940	31,25 €
8	Gasket Kit Inj-pump PES 6KL for engines "300" and "230"	207230	148,30 €	8	Seal kit 6-stamp PES 6KL R18-R25	207280	150,38 €
15	Plug	207185	65,00 €	27	Rest: threaded fitting M130 injection, simplified	207129	23,80 €
42	Sealing ring ID8, eg. for hollow screw	220011	0,10 €	48	Seal ring 10x13,5, Alu, e.g. sender, hollow bolts	227023	0,50 €
50	Air cleaner, 230SL 14mm/Hex19, inj. pump	207901	37,84 €	50	Air cleaner, M18/hex22 (Inj.p. M129/130E)	207114	37,84 €
53	Seal ring 18x22 Al	109019	0,94 €	53	Seal ring 14mm Alu	207186	1,08 €
55	Fitting for air hose	207181	16,09 €	61	Gasket, start Solenoid	207124	10,89 €
61	Gasket, start Solenoid	207824	10,89 €	63	Gasket kit regulator housing PES	207281	70,48 €
65	Thermostat,inj.,'67->, incl. steel seal	207121	182,62 €	66	Housing,Thermo,inj.,250-280SL	207122	210,94 €
68	Ring, seat, fits thermostate 207121	207151	35,99 €	69	Seal ring f. bolt 705004	705005	0,68 €

09 Air-Intake and Aircleaner

09 Air-Intake and Aircleaner



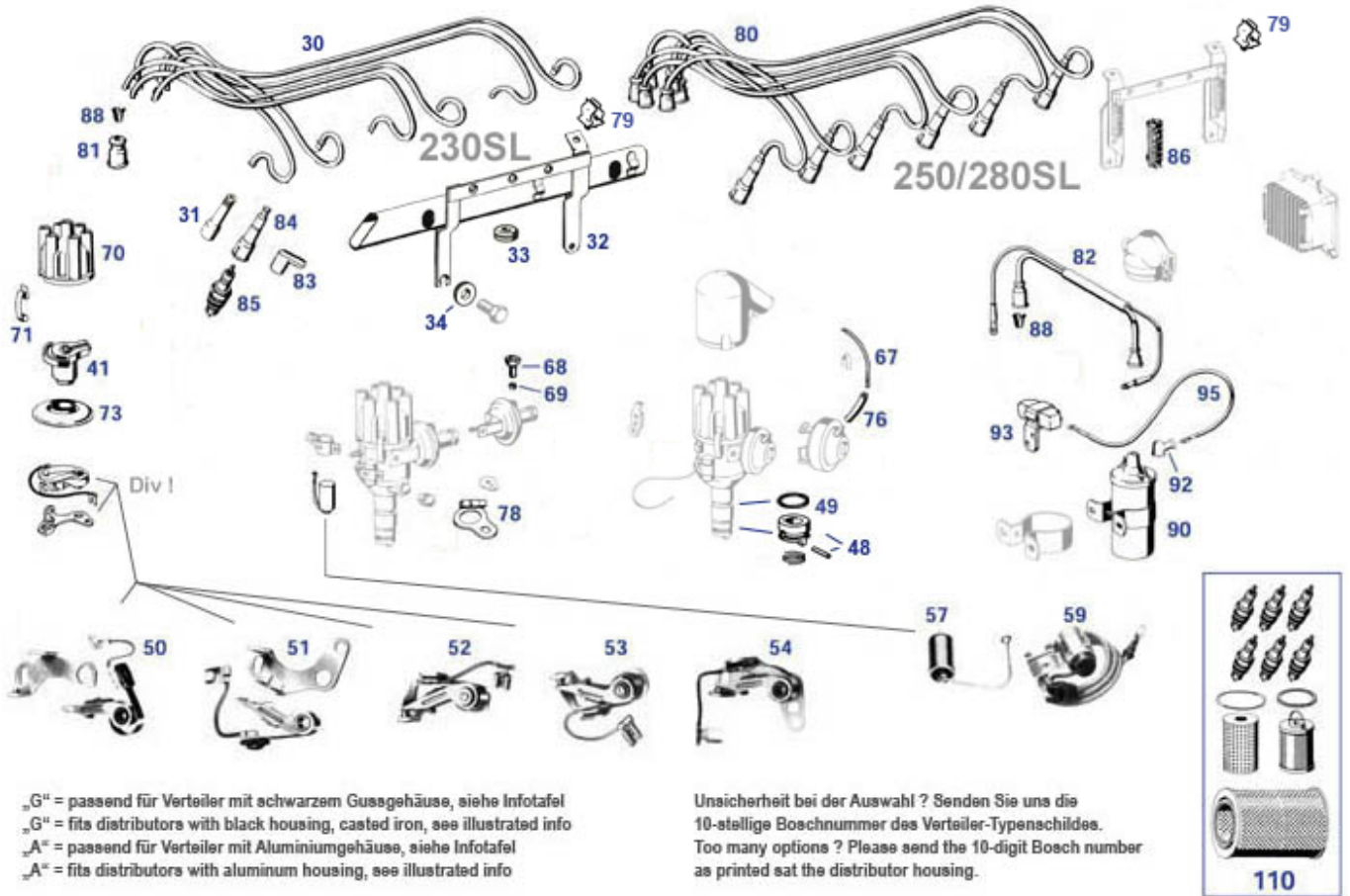
	spring for valve needle cold start valve,	214823	4,40 €		Spring, dle air adjuster bolts	214017	17,50 €
2	Seal for Air filter Lid (1m) A0000942079	214020	4,17 €	2	Wire clips, air filter box, Repro	214825	2,59 €
3	Air filter R113, 280 SL/SLC (MANN)	209400	35,87 €	3	Air filter element R113, 280SL/SLC NoName	209402	14,57 €
4	Link bit, air filter box to side wall	209815	22,48 €	5	Air hose 135mm, e.g.280SL late	209702	51,27 €
5	Air hose 185mm, e.g. 280SL up to FN	209701	45,77 €	5	Air hose 135mm, e.g.280SL late	209802	107,99 €
5	Air hose 185mm, e.g. 280SL up to FN	209801	99,00 €	5	Air hose 160mm, e.g. 230SL late	209800	87,02 €
5	Air hose 100mm e.g. 250SL	209703	53,10 €	5	Clamp, air hose	209004	2,77 €
5	Air hose 100mm e.g. 250SL	209803	108,04 €	8	Mounting,af. flexible buffer	209406	7,69 €
10	Rubber buffer, floor/exhast, others...	249818	4,68 €	11	cotter pin 3 x 28, fits 314025 ...	314029	0,32 €
11	Lock f.filterbox, flat spring	314825	9,98 €	16	Gasket, throttle flap housing	214012	7,60 €
22b	bracket for tube clamp at throttle housg	214207	30,58 €	24	Insulation plate , M130 E late (ca 69->	214003	125,30 €
24	Insulation plate ,250-280SLFN	214002	116,50 €	26	Clamp,insulation->intake,'70->	214024	4,90 €
26	Clamp,insulation->intake ->'69	214004	6,99 €	27	gasket 280 from large manifold	214026	3,57 €
27	Sealing ring, cst. control	214013	1,96 €	28	Clamp 1.generation breather pipe	309029	45,07 €
29	Hollow screw e.g.M127 breather banjo	309898	25,13 €	30	Breather tube 220SE-230SL early	309007	109,28 €
30	Hollow screw e.g.M127 breather banjo-style	309098	19,25 €	30	Banjo fitting, norm, fits M18	109816	16,01 €
31	Tube, eng. breather early	309008	115,00 €	32	Tube, eng breather 1965/1966	309009	74,29 €
33b	1m rubber hose ID 10mm, 5mm wall	943028	32,78 €	35	Engine ventilation	209805	5,02 €
36	Hose 90°, air filter 230SL, M110-D-J	209809	3,84 €	37	Breather Plastic Tube A1290160030	209807	24,51 €
38	Hose, breather + waterpipe protection	209006	13,46 €	42	Sealing ring, exhaust manif.	249060	2,37 €
45	Manifold Gasket M127-130	249090	14,40 €	45	Gasket Intake/Exhaust M127-130,	249990	14,54 €

"REINZ"				ELRING			
46	Nut, M10, exh manifold	114008	1,25 €	47	M12-127 lock washer	235316	0,26 €
48	Washer 2mm, thick, exh-manif, bumpers .	214008	0,56 €	51	Hollow screw on suction pipe	227022	1,26 €
52	Seal ring 10x13,5, Alu, e.g. sender, hollow bolts	227023	0,50 €	53	Banjo fitting, fits 10mm screw	227850	4,07 €
56	Check valve, brake vac.	243016	10,85 €	59	Seal ring 16x20, Alu, e.g. hollow bolts	214078	0,99 €
60	Tube 90° e.g. adapt T52->old hose	243038	13,74 €	90	Rep.-section, tube, fits early 230-mani	214818	113,05 €
214100	Exhaust manifold for late W113 (used) Cylinder 4-6	214100	1.190,00 €	214101	Exhaust manifold for laste W113 (used) Cylinder 1-3	214101	512,89 €

15 Electrical Equipment at Engine

15.a ignition

15.a ignition



„G“ = passend für Verteiler mit schwarzem Gussgehäuse, siehe Infotafel
 „G“ = fits distributors with black housing, casted iron, see illustrated info
 „A“ = passend für Verteiler mit Aluminiumgehäuse, siehe Infotafel
 „A“ = fits distributors with aluminum housing, see illustrated info

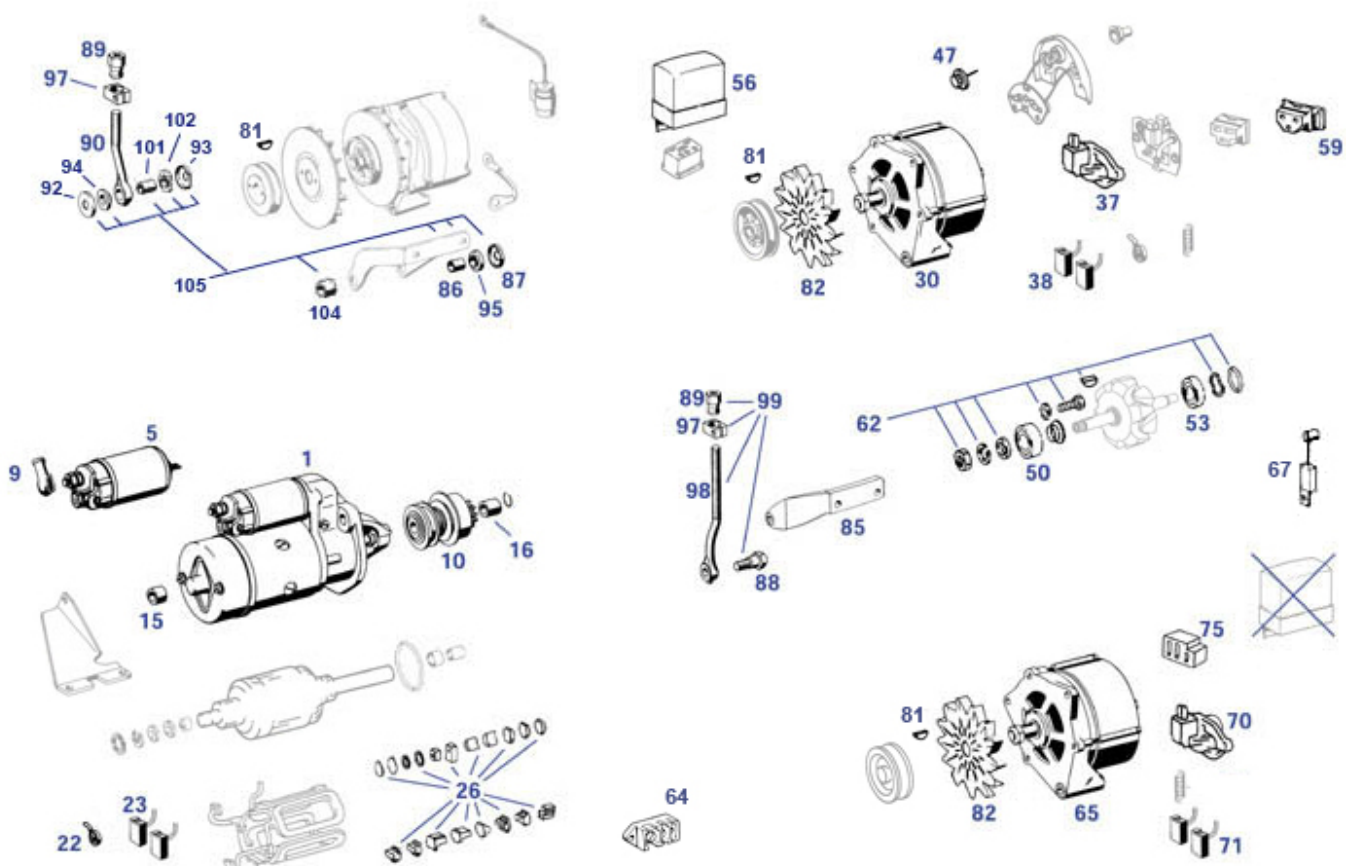
Unsicherheit bei der Auswahl ? Senden Sie uns die 10-stellige Boschnummer des Verteiler-Typenschildes.
 Too many options ? Please send the 10-digit Bosch number as printed sat the distributor housing.

	Ignition Coil "Pertronix Flamethrower-II"	554711	138,64 €		Distributor cap 230-280SL "A" made in Germany	215708	55,69 €
	Marelli ignition coil MB 6-Cylinder	254411	31,12 €		Vac unit dist., 'G', Repro, no tech documents	215604	63,14 €
	Vacuum unit, dist. , 'A', Repro, no tech documents	215834	94,71 €		Cont.b.set, 280SL USAFNN	215113	9,88 €
	see 254708 or 254008, Resistor 1,8	254808	50,75 €	30	rubber cap ID 11mm eg spark plug connectors	515998	0,87 €
32	Metal tube w.bracket, f.ignition leads	215110	109,99 €	32	Special nut, acc linkage support to mount LH	230029	3,57 €
33	Rubber grommet 10/15, taillight bucket 190SL, 107	199020	1,08 €	34	ball shaped washer	299992	2,64 €
41	Rotor distr.,Bosch, 190SL, R113 "iron cast distr"	215804	45,73 €	41	Rotor distr.,Beru, 190SL, R113 "iron cast distr"	115004	15,73 €
41	Rotor arm, 280SL 'A' , Bosch	215011	34,61 €	48	Distributor drive dog incl pin+spring	215036	24,81 €
49	Seal ring I/D 21,5 / material 4,75 mm ref.-No. A0119970548	715229	0,48 €	50	Kontaktsatz M180, M127 früh Beru	415813	8,02 €
51	contact set 113	215803	8,06 €	51	Cont.b.set, 230-280SL 'G'	215003	16,93 €
53	Cont.b.set, 280SL USAFNN	215013	7,78 €	53	pointer set. 280SL USA spät Beru	215813	8,66 €
54	Pointer set 280S...	815003	6,93 €	57	Capacitor 190SL, 113-"G" (iron dist)	215007	5,09 €
57	Condenser f.'Alu' w.no1-lead	215037	8,51 €	57	Capacitor w/o bracket, BERU	215807	4,39 €
59	Condenser, see picture	215837	9,52 €	67	Vacuum pipe, 2/4mm,per mtr	215027	1,82 €
67	Spring clip,vac. pipe to fuel line	299471	15,15 €	70	Distributor cap Bosh, fits "iron-dist"	215028	71,22 €
70	Distributor cap 'A'	215808	69,50 €	70	Distributor cap, fits "iron-dist", Germany	215928	53,01 €
70	Distributor cap phenol resin	215021	47,22 €	70	Dist. cap 230-280SL, fits iron distr., also 1-2-3-R6, Beru	215828	30,94 €
70	Distributor cap 'A'	215008	61,78 €	71	Sp. clip, dist. cap to body	215026	1,64 €
73	Dust cover, inside distributor	215012	8,50 €	76	Pipe, vacuum, per mtr.	715027	5,12 €

78	Adj. flange R4+R6 1958-1968	115073	31,32 €	79	Clamp, vacuum line at support	243079	21,60 €
80	Ignition lead set 250-280SL	215720	155,00 €	80	Ignition lead set 250-280SE/SEL/SL "push-on"	215020	169,99 €
80	Ignition lead set W113 see picture	215721	85,00 €	80	Ign. leads set M127... BREMI plugs	215120	105,99 €
81	Connector	715016	18,77 €	81	Prot. sleeve ign. leads -> distributor	215715	1,90 €
81	Prot. sleeve ign. leads -> distributor	215815	2,73 €	82	Silicone ign lead, 1m	215116	8,77 €
82	Grommet	215119	1,01 €	82	Cable set, coil/distributor	115050	45,82 €
83	Spark plug connector, 1kOhm, angled, Bakelite	115056	18,56 €	84	Spark plug, 5K Ohm '67 - '76	215017	12,02 €
85	Spark plug, NGK BP7ES	215019	3,39 €	85	Spark plug Bosch WR5DC	215919	2,93 €
85	Spark plug Bosch W6DC	215918	3,53 €	85	Spark plug, NGK,	215018	2,83 €
86	Bracket, ign wires, plastic	215023	1,49 €	88	Wire bushing with treaded pin	515999	2,25 €
90	washer, 6,4 e.g. boot hinge	175005	0,36 €	90	Ign. coil 113TCI + R/C107 early, BOSCH	754020	85,00 €
90	Ign coil VALEO 6-Cyl 108-113.. late	254811	42,10 €	90	Ign coil Bosch 6-Cyl 108-113.. late	254611	80,55 €
90	Ign. Coil, std. actuated, needs Res:1,8	254011	63,34 €	92	Rubber dust boot (at Gen. .)	254051	3,25 €
93	teethed washer 4,3mm	999037	0,13 €	93	Shim 4,3x8	799939	0,19 €
93	Screw, M4X6 Phillips, e.g switch	799546	0,24 €	93	Ring eyelet, crimp, uninsulated, high-temp. MS sn, ID4.2	997989	0,51 €
93	Ballast Resistor 0,4 Ohm, Reproduction	254768	28,54 €	93	Ballast Resistor 0,6 Ohm, Reproduction	254767	26,45 €
93	Ballast Resistor 0,9 Ohm, Reproduction	254766	24,37 €	93	Ballast Resistor 1,8 Ohm, Reproduction	254708	24,37 €
93	Resistor 0.6 Ohms, TCI, BERU	254967	70,35 €	93	Resistor, 0.4 Ohm	254266	45,49 €
93	Ballast resistor .6 Ohm, silver, TSZ	254166	59,81 €	93	Resistor, 0,9 Ohm, silver, BOSCH	254066	58,64 €
93	Resistor 1.8 Ohm red, fits 254011	254008	85,88 €	93	Spring washer M4 yellow zinced	299283	0,08 €

15.c Starter and Generator

15.c Starter and Generator



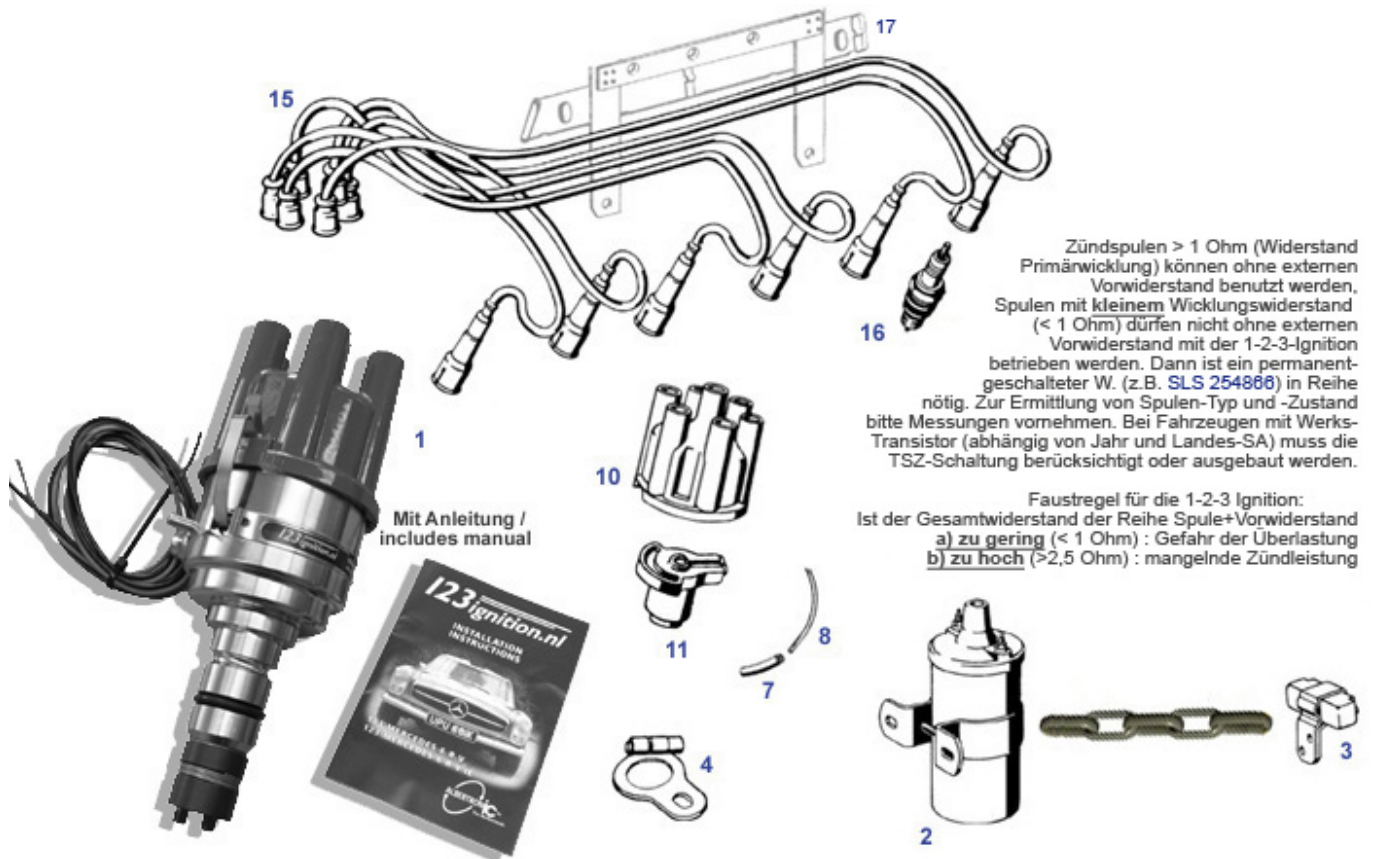
Alt. regulator internal 55A	715782	18,42 €
Spacer ring for FN starters, see pictur D11,5mm	115745	147,95 €
flat crimp shoe, with nose, female, ... 2,5mm²	754055	0,65 €

battery hold down, R113, Repro	254826	65,45 €
Starter solenoid "3-bolt-fitment"	715452	51,59 €
Rubber grommet 11/30, blue silicon rubber	299517	1,59 €

	Spacer ring for FN starters, see pictur	115847	68,77 €		ground strap 40cm, eyes 8 + 6mm, w.prot hose	354246	39,50 €
1	Starter, revised	215243	293,99 €	1	Starter motor, replaces Bosch GF+GFR models	215743	214,51 €
5	Starter solenoid, 3 thread	215244	39,37 €	5	Wiring, starter to terminal at oil pan	254167	116,85 €
9	Cap, starter terminal	154056	5,71 €	9	Rubber cap, starter wire, small	754026	6,14 €
10	Pinion,'free wheel' rest.	215045	34,44 €	15	Bushing, starter, d12,5xD16,5xL11,5	115032	0,95 €
16	Bushing, starter, d12xD16xL14	215042	3,83 €	16	Bushing, starter, d12xD16xL16	215131	0,77 €
21	"Rotor shaft, starter "EF(R)"	215248	217,35 €	23	Carbon brush set, starters, FN	215249	25,19 €
26	Seal kit set, starter	715509	45,36 €	30	used item required: overhaul of 35A generator	215250	264,95 €
35	Brush, carbon, 35A,flat,lt.	215281	47,95 €	37	Brush, carbon, 55A, flat	215282	115,33 €
38	Brush, carbon, for soldering	215238	3,84 €	38	Carbon brush set Alt. 55A fr.'74	715283	3,37 €
47	Diode (negative)	215296	16,01 €	47	Diode	215297	6,44 €
50	Bearing frt side div generators, 17x47x14	215222	8,78 €	50	Bearing fits several generators, frt, 17x52mm	715334	20,13 €
50	Bearing several generators, front , 17 x 40 mm	215221	6,05 €	53	Bearing rr side, div.generators 12x32	215226	5,13 €
53	cap for bearing 6201	215228	5,12 €	53	cap for bearing 6203	215223	5,11 €
53	Bearing fits several generators, rear, 12x28mm	715336	4,31 €	56	Extr. reg.,alternators '65->'74	254721	29,85 €
56	Extr. reg.,alternators '65->'74, see pict	254621	28,01 €	56	regulator, copy of old design	254521	41,92 €
56	Extr. reg.,alternators '65->'74	254021	690,57 €	58	Plug hsng,Regulator, 3xflat	254080	7,28 €
62	Set nuts,bolts,washers - Alt.	715289	34,06 €	62	Repair kit, armature, dyn.	215260	29,00 €
64	A0005466541 Terminal block, 3 pole	254064	29,99 €	65	Generator 55A see picture, exchange	215280	440,30 €
65	Generator 65A (AC), exchange	215237	278,26 €	67	Interference suppression capacitor with flat plug connection 90°	715838	7,97 €
67	Interference suppression capacitor with eyelet connection	215838	29,99 €	70	Alt. regulator internal 55A, BOSCH	715282	55,36 €
75	Wire Connector, 90°, 9,5mm wide, e.g. generators	754187	2,38 €	80	A0011553415 Pulley, generator late styl	215239	30,20 €
80	woodruff key W4 H5	215077	0,88 €	85	Support,alternator, 250-280"No-AC" used	215857	172,55 €
86	Spacer sleeve, alternator bkt.	215044	13,39 €	87	retainer shim, div. M8 mounts	109107	3,19 €
88	Bolt, retaining, alt. Brack	215055	8,35 €	88	Spring washer 14mm e.g. cam wheel	105028	0,55 €
89	Tightening nut @ tensioner M10, hex14	215058	15,10 €	90	Bolt, early generator tensioner (f.rbr washers)	215059	33,43 €
92	Retainer e.g. Generator bolt late	115093	5,02 €	93	Retainer washer e.g. 230SL alternator	215053	10,59 €
94	Rubber spacer, generator supp, 190late	115819	4,26 €	95	Rubber bushing, e.g. generator->rod	115817	1,75 €
97	Clamping block, generator belt adjuster	115122	19,04 €	97	Clamping block, generator belt adjuster	115022	23,92 €
98	Tightening screw, 127-130 w/o rbr bushings	215856	31,76 €	99a	n.a.! Set shims+washers, anchor assemb	715511	7,25 €
101	Bushing, e.g. alternator supports	215140	3,07 €	104	Distancer tube, Alternator @ 230SL	215138	7,63 €

15.e Electronic Ignition System, "1-2-3"-Retrofit

15.e Electronic Ignition System, "1-2-3"-Retrofit



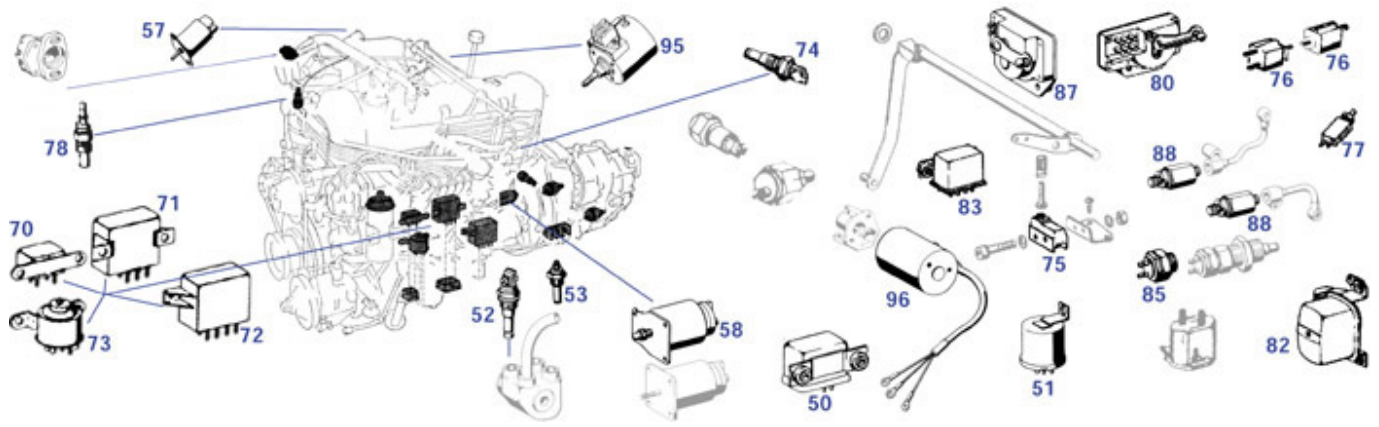
	Rotor distr.,Beru, 190SL, R113 "iron cast distr"	115004	15,73 €		Distributor cap Bosh, fits "iron-dist"	215028	71,22 €
	Screw, M4X6 Phillips, e.g switch	799546	0,24 €	1	1-2-3 electronic distributor for 220 up to 280	215800	325,00 €
1	1-2-3 distributor, USB-programmable	215801	419,00 €	2	Ign coil VALEO 6-Cyl 108-113.. late	254811	42,10 €
2	Ign.Coil,std.actuated,needs Res:1,8	254011	63,34 €	3	Resistor, 0,9 Ohm,silver, BOSCH	254066	58,64 €
3	Ballast Resistor 0,9 Ohm, Reproduction	254766	24,37 €	4	Adj. flange R4+R6 1958-1968	115073	31,32 €
7	Pipe, vacuum, per mtr.	715027	5,12 €	8	Vacuum pipe, 2/4mm,per mtr	215027	1,82 €
10	Dist. cap 230-280SL, fits iron distr., also 1-2-3-R6, Beru	215828	30,94 €	11	Rotor distr.,FACET, 190SL, R113 "iron cast distr"also 1-2-3	215704	14,88 €
15	Ign.leads set M127... BREMI plugs	215120	105,99 €	15	Ignition lead set 250-280SE/SEL/SL "push-on"	215020	169,99 €
15	Ignition lead set 250-280SL	215720	155,00 €	16	Spark plug Bosch WR5DC	215919	2,93 €
16	Spark plug, NGK BP7ES	215019	3,39 €	17	Bracket,ign wires,plastic	215023	1,49 €

15.e Electronic Ignition System, "1-2-3"-Retrofit

Conversion kit Ignitor-II, W113 w.distr. ..047/..051	215703	417,69 €	Conversion kit Ignitor, 230SL early w. VJUR 6BR 49T	215702	417,69 €
Conversion kit Ignitor-II, W113 w.distr. ..047/..051	215705	385,56 €	Ignition Coil "Pertronix Flamethrower-II"	554711	138,64 €

07.c electric engine control

07.c electric engine control



	Flasher relay, see pict, pin position changed	254060	39,91 €		Cover, for wire terminal @ autom-housing	254009	33,24 €
50	Rubbermount, relais	254295	5,25 €	52	ignition distributor repair kit	907124	19,59 €
57	Solenoid,cst. valve(1 pole)	214014	238,00 €	70	Relay, start-/ operation current, Repro	254095	67,84 €
73	El. vacuum control valve	780054	53,40 €	77	A0015450211 Contact switch, glovebox	254101	402,03 €
78	Temp.-switch 100° Celsius	207163	23,80 €	78	Temperature switch 100° e.g. A/C fan, FEBI	207963	8,50 €
95	2 pole terminal	154052	44,85 €	95	Solenoid A0000720500	207100	1.245,00 €
95	collar nut, e.g. Solenoid pin	299334	13,66 €	95	Grommet, acc linkage solenoid	207899	3,93 €

15.i Info Spark Plugs

15.i Info Spark Plugs

Die Kerzentypen Bosch W5... bis W8... können Sie bei uns bestellen, wie auch die NGK BP8... bis BP5...

Die Tabellen zeigen Auszüge aus den Hersteller-Empfehlungen. Ein Ausweichen auf einen "benachbarten" Wärmewert-Index kann sinnvoll sein, je nach Einsatzbedingungen und Zustand von Motoren.
 Bosch: Hohe Kennziffer = heiße Kerze = schnelles Fröhenrennen
 niedrige Kennziffer = kalte Kerze = geringe Gefahr von Glühzündung
 NGK: u m g e k e h r t

200 (Typ 115)	01.68-01.77	W 6 DC	0,8
200 (Typ 123) Mot. M 102	06.80--	H 7 DC	0,8
200 (Typ 123) Mot. M 115	02.76-07.80	W 7 DC	0,8
220 (Typ 115)	01.68-01.77	W 6 DC	0,8
	08.71-07.73 USA	W 7 DC	0,8
230 (Typ 114) 6 Zyl	01.68-11.76	W 6 DC	0,7
230 (Typ 115) 4 Zyl	08.73-12.76	W 6 DC	0,8
	09.72-08.74 USA	W 7 DC	0,8
	09.74-09.76 USA	W 6 DC	0,7
230 (Typ 123) Mot. M 102 K-Jetronic	04.80--	H 7 DC	0,8
230 (Typ 123) Mot. M 115	01.68-01.77	W 6 DC	0,8
	09.76-09.78 USA	W 8 DC	0,8
	03.79--	W 7 DC	0,8
250 (Typ 114) Mot. 114	01.68-11.72	W 6 DC	0,7
250 (Typ 114) Mot. 130	07.72-11.76	W 6 DC	0,8
	01.68-08.71 USA	W 6 DC	0,6
	09.71-09.72 USA	W 7 DC	0,8
250 (Typ 123)	02.76--	W 6 DC	0,8
280 (Typ 108)	01.68-11.72	W 6 DC	0,7
	01.68-09.71 USA	W 6 DC	0,7
	07.71-06.72 USA	W 7 DC	0,8
280 (Typ 108, 111) Einspr.	01.68-09.71 USA	W 6 DC	0,7
	09.71-08.72 USA	W 7 DC	0,8
280 (Typ 108, 111) 3,5 Ltr.	01.68-11.72	W 6 DC	0,7
280 (Typ 114)	06.72-02.77	W 6 DC	0,8
	09.72-08.74 USA	W 7 DC	0,8
	09.74-09.76 USA	W 6 DC	0,7
280 (Typ 114) D-Jetronic	06.72-01.77	W 6 DC	0,8
280 (Typ 114) D-Jetronic	09.72-07.76	W 6 DC	0,8
	09.72-07.76 NV	W 7 DC	0,8
280 (Typ 116) K-Jetronic	08.76--	W 7 DC	0,8
	08.76-- USA	W 6 DC	0,8
280 (Typ 116) USA	08.74-08.76	W 8 DC	0,8
	01.76--	W 7 DC	0,8
280 (Typ 116) 160 PS	08.72-12.75	W 7 DC	0,8
280 (Typ 123)	08.76--	USA	0,8
	08.76--	USA	0,8
280 (Typ 126)	12.75--	W 7 DC	0,8
280 SL (Typ 113)	01.68-03.71	W 5 DC	0,7
280 SL SLC (Typ 107) D-Jetronic	08.74-09.76	W 6 DC	0,8
	09.74-09.76 NV	W 7 DC	0,8
280 SL SLC (Typ 107) K-Jetronic	06.76--	W 7 DC	0,8
300 (Typ 109) Mot. 130	01.68-08.72	W 5 DC	0,7
300 (Typ 109) 3,5 Ltr.	01.70-01.72	W 6 DC	0,7
300 (Typ 109) 4,5 Ltr.	09.71-08.72 USA	W 7 DC	0,8
300 (Typ 109) 5,3 Ltr.	08.68-08.72	W 7 DC	0,8
300 (Typ 116) D-Jetronic	08.72-02.76	W 6 DC	0,8
	08.72-02.76 NV	W 7 DC	0,8
300 (Typ 116) K-Jetronic	03.76--	W 7 DC	0,8
300 SL SLC (Typ 107) D-Jetronic	05.71-02.76	W 5 DC	0,7
	05.71-02.76 XIP	W 6 DC	0,8
	09.71-09.76 NV	W 7 DC	0,8
300 SL SLC (Typ 107) K-Jetronic	03.76--	W 7 DC	0,8
380 (Typ 126)	12.75--	USA	0,8
	07.80--	W 7 DC	0,8
	09.80--	USA	0,8
450 (Typ 116) D-Jetronic	01.73-11.75	W 6 DC	0,8
	01.73-11.75 NV	W 7 DC	0,8
	09.72-08.74 USA	W 7 DC	0,8
	09.74-09.75 USA	W 6 DC	0,8
450 (Typ 116) K-Jetronic	12.75--	USA	0,8
	07.75--	W 7 DC	0,8
	09.76--	USA	0,8
450 SL SLC (Typ 107) D-Jetronic	01.73-11.75	W 6 DC	0,8
	01.73-11.75 NV	W 7 DC	0,8
	09.71-08.74 USA	W 7 DC	0,8
	09.74-09.75 USA	W 6 DC	0,7
450 SL SLC (Typ 107) K-Jetronic	12.75--	USA	0,8
	09.75--	W 7 DC	0,8
450 SLC 5.0 (Typ 107)	09.76-02.80	W 7 DC	0,8
500 (Typ 126)	12.79--	W 7 DC	0,8
600 SL SLC (Typ 107)	03.80--	W 7 DC	0,8
600 (Typ 100)	09.64--	USA	0,8
	09.64-08.72 USA	W 7 DC	0,8

Quelle: Bosch 1981/1982

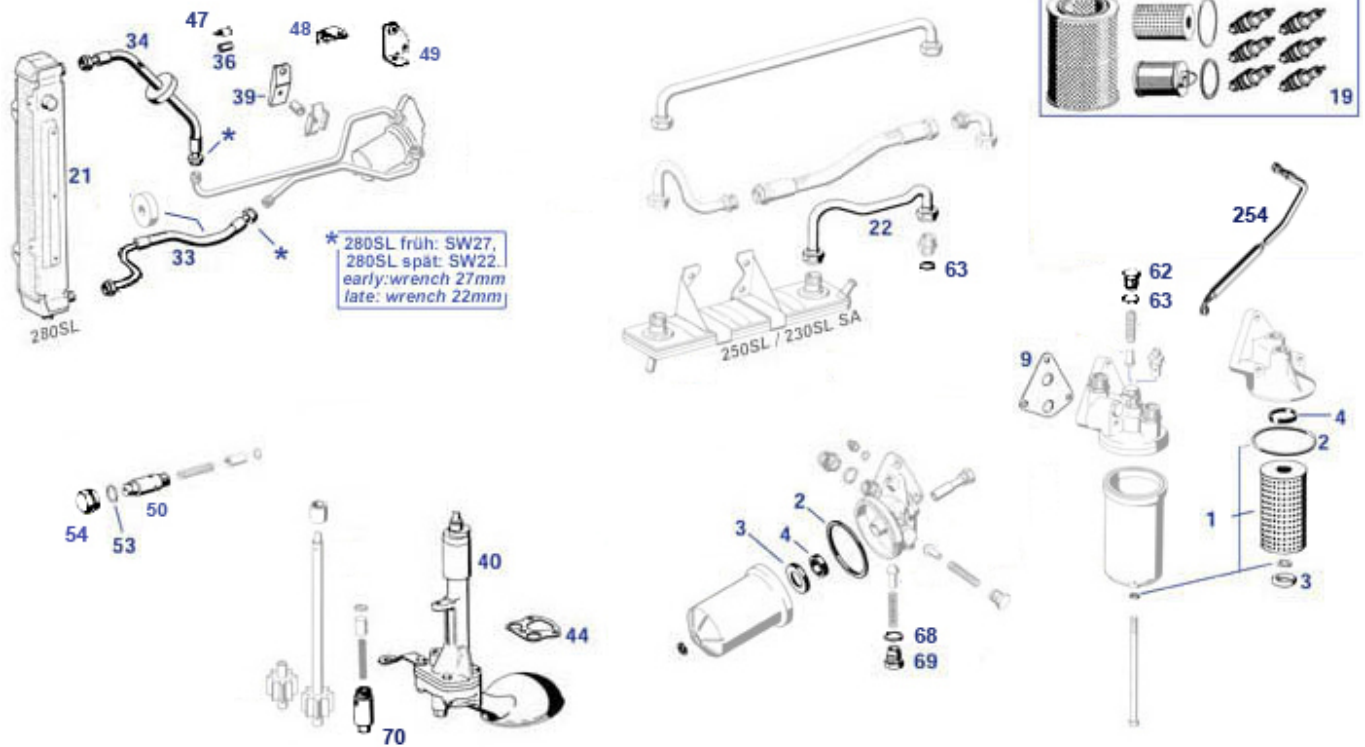
Quelle: NGK 2006

170 S	(0170)	1.7 20	05.1940-10.1956	M 136.922	4	0,6	BP8H
170 SV	(130)	1.7 33	1953- 1955		4	0,6	BP8H
170 V	(130)	1.7 28	1947- 1950		4	0,6	BAL
170 V	(0170)	1.7 33	06.1946-05.1962	M 136.920	4	0,6	BP8H
180	(120)	1.8 48	1953- 1962	M 121 B / 121 823	4	0,6	BP8H
180	(0120)	1.8 48	07.1953-12.1962	M 136.925	4	0,6	BP8H
190	(121)	1.9 55	1959- 1960	M 121 821 B / Vedette 1.5	4	0,7	BP7ES
190	(121)	1.9 55	1953- 1962	M 121 B / Vedette 1.7	4	0,6	BP8H
190 E	(201)	2.0 90	10.1982-08.1985	M 102.901/902	4	0,8	BP7ES
190 SL	(121)	1.9 77	01.1955- 1962	M 121 921	4	0,8	BP7ES
190 SL	(121)	1.9 55	1953- 1962	M 121 81	4	0,8	BP7ES
200	(118)	2.0 70	08.1963-12.1967		4	0,8	BP7ES
200	(123)	2.0 82	02.1976-08.1980	M 115.938/939	4	0,7	BP7ES
200	(123)	2.0 74	06.1980-12.1985	M 102.920/929	4	0,8	BP7ES
200 (R)	(113)	2.0 83	01.1983-01.1971	M 115.929/926	4	0,6	BP7ES
200 „Jackhammer“	(118)	2.0 70	07.1965-02.1968		4	0,8	BP7ES
210	(105)	2.2 83	1955- 1959	180.921	4	0,7	BP7EX
220 (R)	(113)	2.2 86	01.1968-01.1973	M 115.920/924	4	0,7	BP7ES
220 a	(180)	2.2 83	01.1954-12.1954	M 180.921	4	0,6	BP8H
220 b	(111)	2.2 70	08.1959-08.1965	180.940	6	0,7	BP7ES
220 SE	(129)	2.2 85	1959- 1965	127.982	4	0,7	BP7ES
220 SB	(111)	2.2 81	08.1959-08.1965	180.949/941	6	0,7	BP7ES
220 SE	(129)	2.2 85	01.1958-08.1959	M 127.980	6	0,6	BP7EX
220 SEB	(111)	2.2 86	1961- 1965	127.982	6	0,6	BP7ES
220 SEB Coupe	(111)	2.2 88	1961- 1965	127.982	6	0,6	BP7ES
220 SEB Cabrio	(111)	2.2 88	1961- 1965	127.982	6	0,6	BP7ES
230	(119)	2.3 88	01.1958-01.1960	M 180	6	0,8	BP7ES
230	(119)	2.3 87	08.1965- 1966		6	0,6	BP7ES
230	(123)	2.3 80	02.1976-03.1981	M 115.954	4	0,7	BP7ES
230 ECCE	(123)	2.3 100	04.1980-12.1985	M 102.980	4	0,8	BP7ES
230 E	(123)	2.3 80	04.1980-12.1985	M 102.980	4	0,8	BP7ES
230 G	(460)	2.3 86	03.1979-07.1983	M 115.973	4	0,7	BP7ES
230 GE	(460)	2.3 92	04.1982-08.1992	M 102.981	4	0,8	BP7ES
230 S	(111)	2.3 86	08.1955-05.1960	M 180.947/950	6	0,8	BP7ES
230 SL „Papier“	(113)	2.3 110	01.1943-01.1951	M 127.981	4	0,8	BP7ES
230 L (R)	(113)	2.3 81	08.1973-12.1974	M 115.951	4	0,7	BP7ES
230 L (R)	(114)	2.3 88	01.1968-11.1970	M 180.954/955	6	0,8	BP7ES
250	(114)	2.5 96	1967- 1970	M 114	6	0,8	BP7ES
250	(123)	2.5 95	02.1976-07.1985	M 123.920/921	4	0,7	BP7ES
250 (R)	(114)	2.5 96	06.1972-11.1976	M 130.923/923	6	0,7	BP7ES
250 (R)	(114)	2.5 96	01.1968-01.1971	M 114.020/923	6	0,7	BP7ES
250 (R)	(114)	2.5 96	06.1972-11.1976	M 130.923	6	0,7	BP7ES
250 C	(114)	2.5 96	1968- 1973	M 114.920	6	0,8	BP7ES
250 CE	(114)	2.5 110	1968- 1972	M 114.980	6	0,6	BP7EX
250 S	(109)	2.5 96	08.1965- 1969	M 129.980	6	0,6	BP7ES
250 SE	(109)	2.5 110	08.1965- 1968	M 129.980	6	0,6	BP7EX
250 SE	(111)	2.5 110	08.1965- 1967	M 129.980/981	6	0,6	BP7EX
250 SL	(113)	2.5 100	01.1966-08.1968	M 129.982	6	0,6	BP7ES
250 SL „Papier“	(113)	2.5 110	02.1976-08.1980	M 110.923	6	0,7	BP7ES
280	(123)	2.8 115	02.1976-08.1980	M 110.923	6	0,7	BP7ES
280 (R)	(114)	2.8 118	06.1972-11.1976	M 110.921/921	6	0,7	BP7ES
280 C	(0114)	2.8 118	06.1972-02.1977	M 110.921	6	0,7	BP7ES
280 SE (R) (0114)	(114)	2.8 136	06.1972-09.1977	M 110.981	6	0,8	BP7ES
280 E	(123)	2.8 130	02.1976-11.1985	M 110.984/988	6	0,7	BP7ES
280 E (R)	(114)	2.8 136	06.1972-11.1976	M 110.981/991	6	0,7	BP7ES
280 S	(109)	2.8 105	10.1967-01.1972	M 102.920/921	6	0,8	BP7ES
280 S	(118)	2.8 115	01.1976-12.1979	M 110.922	6	0,7	BP7ES
280 S	(126)	2.8 115	12.1979-07.1985	M 110.924/926	6	0,7	BP7ES
280 SE (W11)	(111)	2.8 147	01.1969-02.1971	M 116.980	6	0,8	BP7ES
280 SE	(111)	2.8 118	01.1968- 1971	M 130.980	6	0,8	BP7ES
280 SESEL	(108)	2.8 118	01.1968-08.1972	M 130.980/924	6	0,8	BP7ES
280 SESEL	(118)	2.8 130	08.1976-07.1980	M 110.985	6	0,7	BP7ES
280 SESEL	(118)	2.8 136	08.1972-01.1980	M 110.983	6	0,7	BP7ES
280 SESEL	(126)	2.8 136	10.1979-07.1985	M 110.987/989	6	0,7	BP7ES
280 SESEL 3.5	(108)	3.5 147	01.1968-08.1972	M 116.980/990	6	0,8	BP7ES
280 SL	(107)	2.8 120	06.1970-01.1980	M 110.982/989	6	0,7	BP7ES
280 SL „Papier“	(113)	2.8 125	01.1968-03.1971	M 130.983	6	0,8	BP7ES
280 SL	(107)	2.8 130	06.1976-09.1981	M 110.982/986	6	0,7	BP7ES
300 D Adressat	(186)	3.0 119	04.1951- 1962		6	0,6	BP8H
300 E	(124)	3.0 130	01.1965-01.1965	M 103.980	6	0,8	BP7ES
300 SE	(112)	3.0 118	09.1961- 1965	188.984/985	6	0,8	BP7ES
300 SE Coupe	(109)	3.0 125	08.1965- 1967		6	0,6	BP7EX
300 SESEL	(108)	3.0 125	08.1965- 1967		6	0,6	BP7EX
300 SEL	(109)	3.0 125	1967- 1970	M 130	6	0,6	BP7EX
300 SEL	(109)	3.5 147	01.1970-07.1972	M 116.981	6	0,7	BP7ES
300 SEL 5.0	(108)	3.5 110	03.1971-06.1972	M 130.981	6	0,8	BP7ES
300 SEL 6.3	(108)	6.3 164	03.1968-08.1972	M 100.981	6	0,7	BP7ES
300 SL Coupe (Flügelstirn)	(196)	3.0 150	1954- 1957		6	0,8	BP7ES
300 SL Roadster	(196)	3.0 150	03.1957-02.1960	188.980	6	0,8	BP7ES
300	(108)	3.0 80	01.1975-08.1980	M 115.955/972	4	0,7	BP7ES
350 SESEL	(118)	3.5 143	03.1976-03.1980	M 116.985	6	0,7	BP7ES
350 SESEL	(118)	3.5 147	08.1972-02.1976	M 116.983	6	0,7	BP7ES
350 SL	(107)	3.5 144	03.1976-02.1980	M 116.982/984	6	0,7	BP7ES
380	(126)	3.8 150	12.1978-08.1985	M 116.981/983	6	0,7	BP7ES
380 SL	(107)	3.8 160	07.1980-08.1985	M 116.980/982	6	0,7	BP7ES
400	(126)	4.0 180	01.1975-08.1982	M 115...	4	0,7	BP7ES
450 SESEL	(118)	4.5 161	12.1975-04.1980	M 117.985	6	0,7	BP7ES
450 SESEL	(118)	4.5 161	08.1972-07.1980	M 117.983	6	0,7	BP7ES
450 SL	(107)	4.5 161	08.1975-10.1980	M 117.982/985	6	0,7	BP7ES
450 SLC	(107)	4.5 161	08.1975-10.1980	M 117.982/985	6	0,7	BP7ES
450 SLC 5.0	(107)	5.0 177	06.1978-02.1980	M 117.980	6	0,7	BP7ES
500 SLC	(107)	5.0 177	06.1978-02.1980	M 117.980	6	0,7	BP7ES
600	(106)	6.0 184	09.1954-01.1979	M 100.980	6	0,7	BP7ES

The tablet shows parts of the manufacture references. An evasion to neighbor heat range can be made, it belongs to the conditions of use and the engine itself. Bosch: high code number = hot sparkplug = fast burn Bosch: low code number = cold sparkplug = low risk of glow ignition
 NGK: R E V E R S E

18 Engine Lubrication

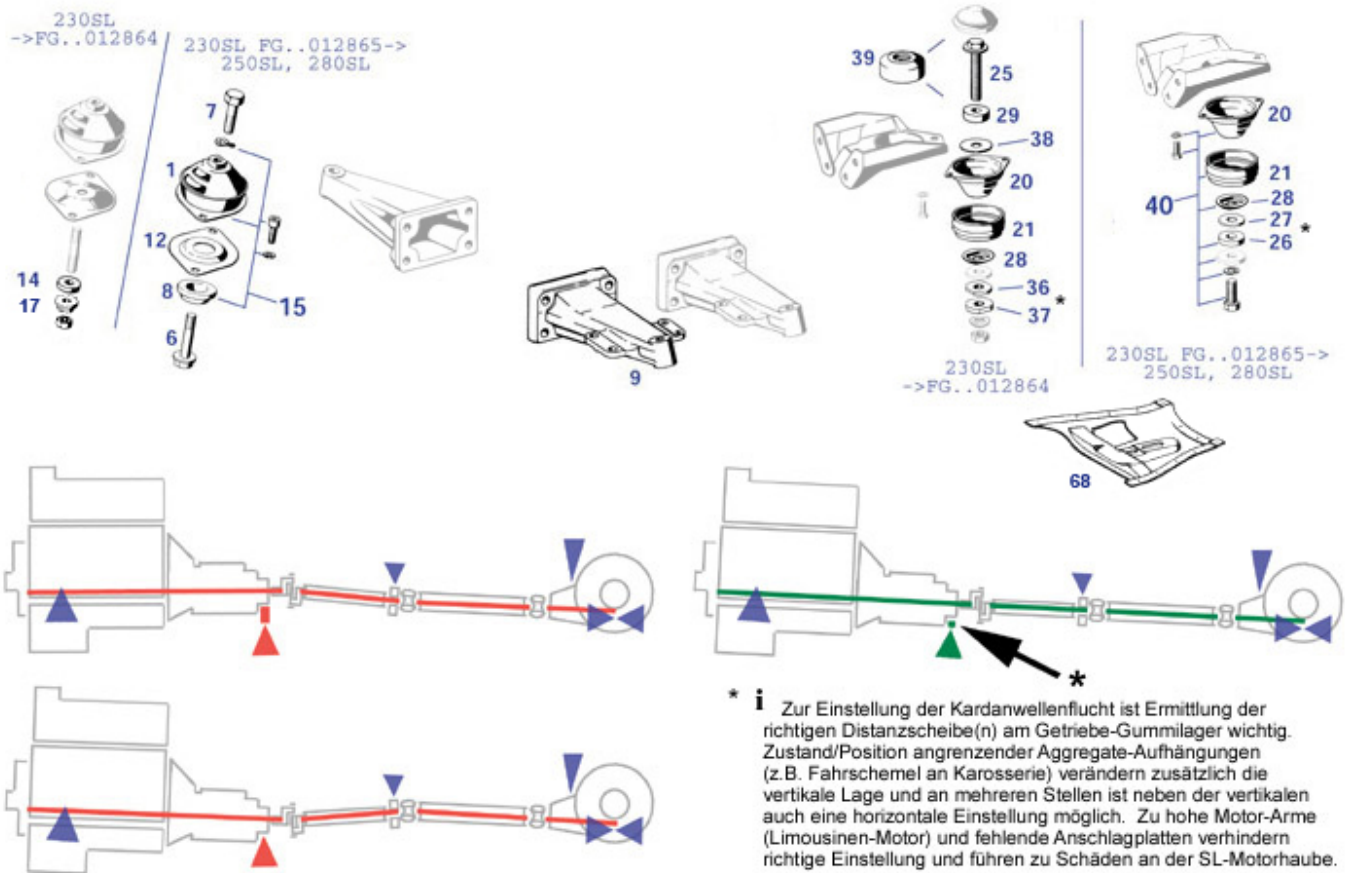
18 Engine Lubrication



1	Oil filler cap, metal/snap-on	250702	12,85 €	1	Oil filler cap,	250802	10,95 €
	Oil filter incl. gasket, 1959-> "MANN"	118042	10,59 €	1	Oil filter 190 SL, 230-280 SL; No Name	118842	4,99 €
2	Ring, sealing, filter/housing	118009	1,24 €	3	Ring, pressure, in hsg., lower	118045	5,57 €
4	Ring, filter housg, upper	118043	2,48 €	9	Gasket, upr.filter hsg./engine	118008	1,69 €
21	Oil cooler, 280SL FN, Alu Repro	250011	214,80 €	21	Oil cooler, 280SL FN, Alu Repro	250811	303,45 €
22	Pipe,oil, 230/250 heat exchanger	218012	350,00 €	27	Oilpipe, upper, 250SL (and 230 if heat-exchange)	218013	122,00 €
33	Lower Oil Hose 280SL (,late) hex 22/27	218010	71,00 €	33	Hose,o/c,280SL,lower,early hex27/2	218008	70,89 €
34	Upper Oil Hose 280SL (,late) hex 22/27	218011	46,99 €	34	Oil hose, upper, 280SE (W108) early	818009	71,39 €
34	Hose,o/c,280SL,upr.,early hex27/2	218009	52,37 €	39	bracket, oil pipes M130	218287	30,58 €
40	Oil pump in exchange, 230S/SL	218422	1.059,99 €	40	Oil pump 230S/SL	218432	1.259,50 €
44	hex bolt M6 X 75 e.g. for oilpump, late version	218498	1,02 €	44	Gasket,oil pump housing	118005	14,28 €
44	Hex.bolt M6X50 e.g. for oilpump	218497	0,76 €	47	Clamp, e.g. wiring, inner width 15mm	254069	5,65 €
48	bracket, oil pipe M130 near pump flange	218286	30,58 €	49	bracket, oil pipe, M130	218288	30,58 €
53	Seal Ring gear box drain plug	226047	0,44 €	54	Plug screw M24 e.g. pressure valve	218816	29,75 €
62	Screw plug, oil valve	218819	27,25 €	63	Seal ring f. bolt 705004	705005	0,68 €
63	Seal ring 18x22 Al	109019	0,94 €	70	Valve,oil o/pressure, 280SL	218100	38,50 €

22 Enginemounts

22 Enginemounts

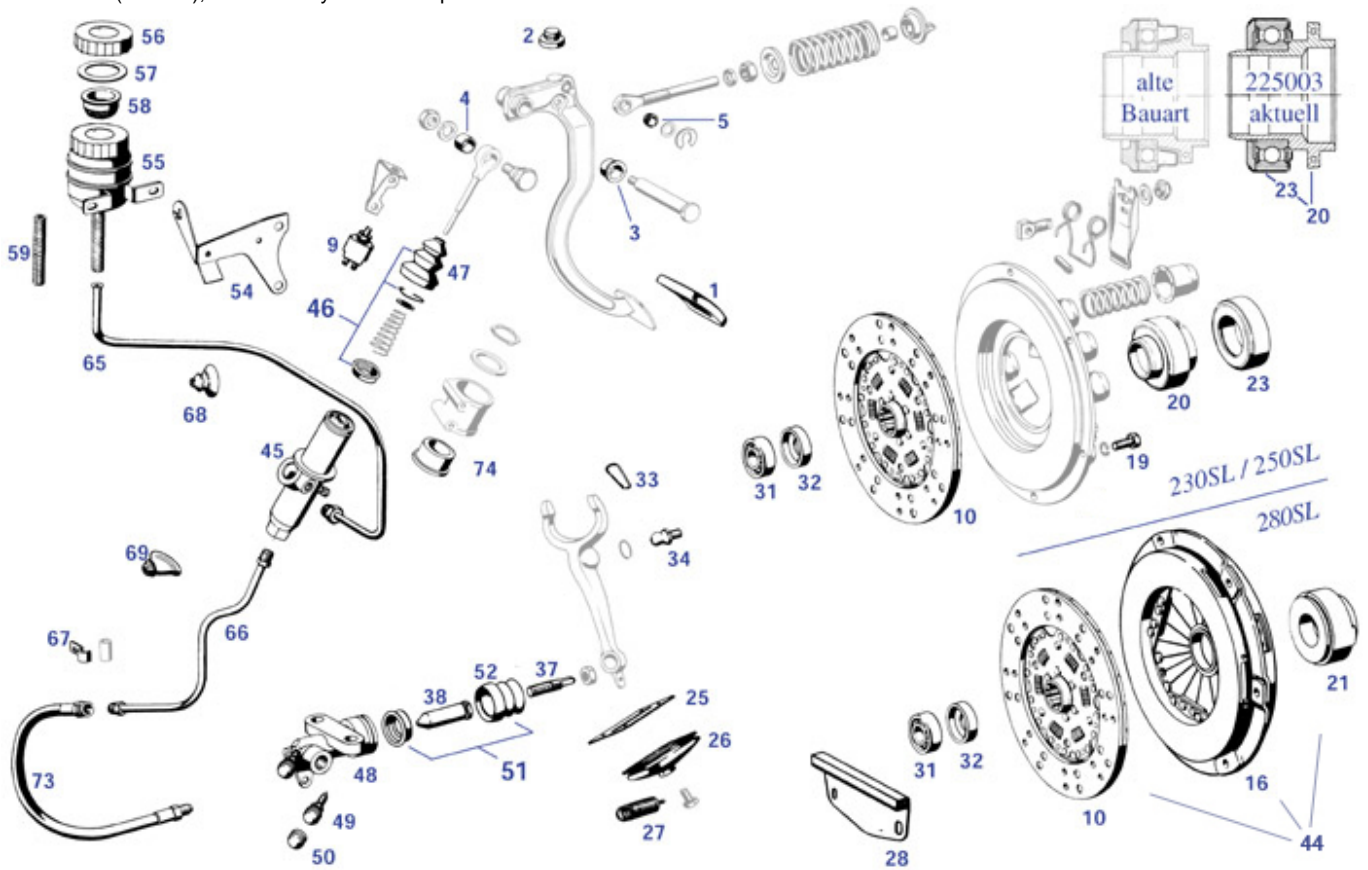


bits2	Bolt engine mount rear	222024	1,54 €	bits3	Spring washer	222005	0,44 €
bits	galvanized M8 Nut N004032008005	222026	0,21 €	bits	Screw engine mount rear	222025	0,80 €
bits	galvanized Spring washer M8	233059	0,21 €	bits3	Bolt, eng.mounting/chassis	222004	0,64 €
1	Enginemountfrt.6-cyltypes	222010	34,14 €	6	Bolt 57mm, rebound eng mount lower	222006	25,73 €
7	Bolt, engine support/mounting	222007	1,08 €	7	Spring washer,M12, rr axle, eng.mount	235314	0,60 €
8	Rebound buffer	222009	2,53 €	9	Support,engine,front,Lt. 230-280SL,Repro	222813	232,05 €
12	Plate ,eng mount,front,late	222030	55,00 €	14	Rubber shim 5mm eng support buffer	122039	2,08 €
17	Bundmutter, Anschlag Motorlager	222039	5,71 €	20	Engine mount 190SL left, R113 rear OE	122915	79,99 €
21	Bellows, rear eng.mount	122830	10,13 €	25	Bolt,rr.eng.mount 220SE/230SL early	222021	13,66 €
25	Bolt L=80mm, 230SL-FN, rear mount	222027	8,35 €	26	Steel distance washer 5mm, e.g.rr eng	222022	10,88 €
27	Rubbershim	322039	1,20 €	27	Shim,1 mm, rr.eng.mounts,if required	222023	3,49 €
28	Plate, bellows @ engine mount	122035	10,57 €	39	Rubberbuffer/bellow	322035	5,15 €
40	Rep.-kit rr eng mount '66 - '71 / incl. OEM engine mount	222820	113,53 €	68	Spring washer, u/j bolt	235303	0,42 €
68	hex head screw M10 X 20, 10.9 zinc plated	235315	1,40 €	68	lower plate, tunnel closure + gearbox carrier, Repro	268603	737,80 €

25, 26 Clutch + 4-Speed-Box

25.a Clutch (manual), mechanic/hydraulic components

25.a Clutch (manual), mechanic/hydraulic components

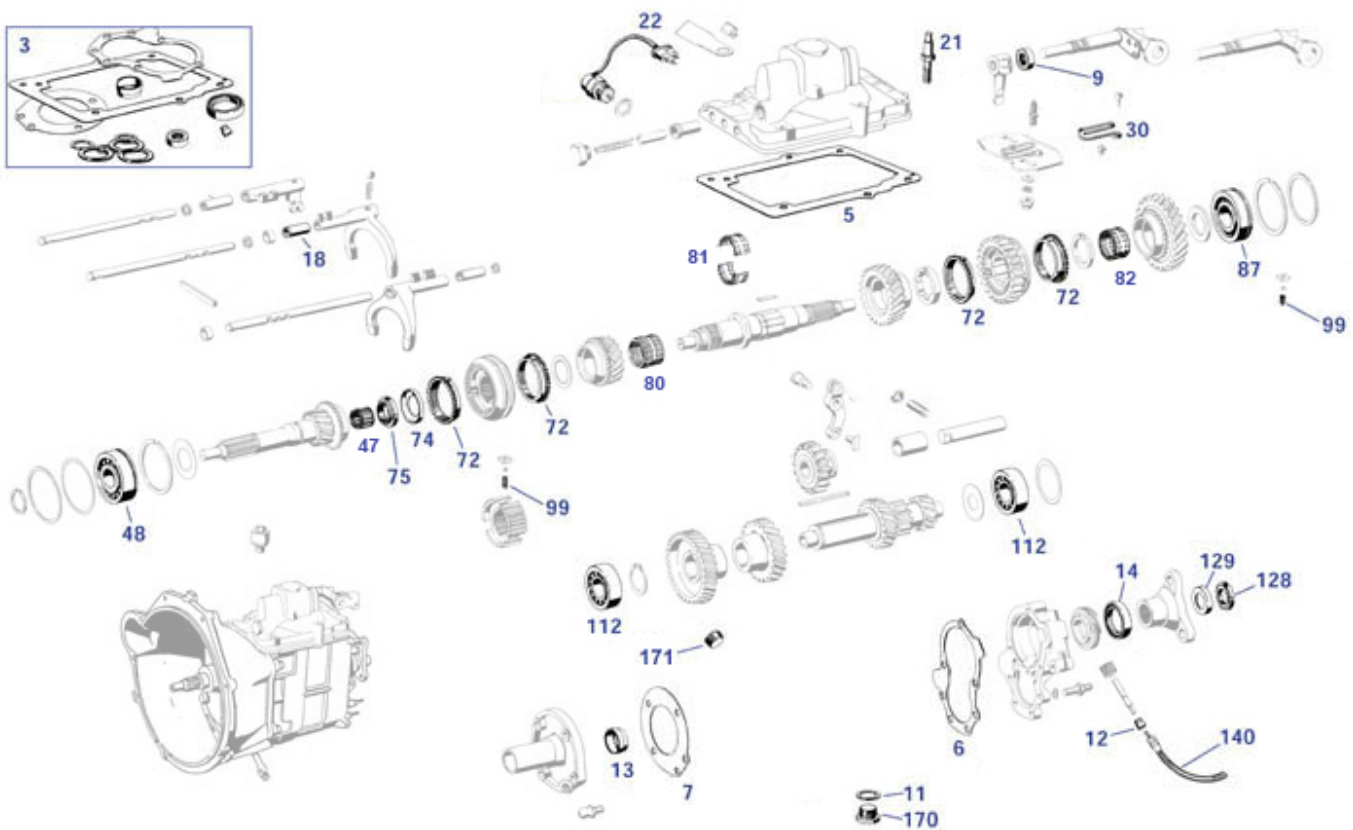


	Clutch disc 230SL; 228mm	225700	30,68 €		Cl. rel. bearing 280E/SE +body; not w113	225804	70,00 €
1	Rubber pad, brake and clutch pedal, no name	229005	4,71 €	4	Nut, M8x1 slim, e.g. throttle shafts,...	107036	0,56 €
5	A1102910750 Bush, clutch return spring	229028	23,50 €	9	A0015450211 Contact switch, glovebox	254101	402,03 €
10	Mounting aid clutch alignment	258250	94,00 €	10	Clutch disc R113, 107-2.8 4-speed LUK	225800	158,29 €
10	Clutch disc R113; 107-2.8 4-speed, F&S	225000	155,62 €	16	Clutch pressure plate 280SL	225002	171,50 €
19	Bolt 8x22, clutch plate	233064	0,37 €	20	T/O bearing+bushing 250/280SL +sev 6-Cy	225803	219,19 €
21	F+S 3151137101 Clutch bearing 280SL-113 H30*	225004	337,17 €	21	Clutch bearing 280SL-113 H30* Repro ref 3 151 137 101	225704	297,50 €
23	T/O bearg. w/o sleeve 6-cyl 62-65	425007	83,30 €	23	Release bearing fits sleeve '65-'68	225807	88,95 €
25	Seal holder, c.r.m.	225010	11,84 €	26	Dust boot, rubber, @ clutch lever	125005	5,94 €
27	A1119931110 Spring, c.r.m. 230-250SL	225011	6,33 €	28	Plate , cover, gearbox case	225056	33,97 €
30	-NL- Ausrückgabel 230-280SL	225081	354,08 €	31	Pilot bearing	103093	3,83 €
32	Cover, pilot bearing	103094	1,81 €	33	Spring clamp	125013	19,85 €
34	A1119910015 Ball pin, all from G.006111	225012	43,90 €	38	Bolt, clutch slave cyl, 230-250SL, ..	229070	30,26 €
44	clutch-set 1968 - 280, 4gear shift	225702	499,80 €	45	Clutch master cylinder, 250S/SE/SL, FTE	229009	256,11 €
45	Clutch master cylinder, 250S/SE/SL, No Name	229809	86,22 €	45	Clutch master cylinder, 280SL	229004	268,20 €
46	Cl.mast.cyl. rpr.kit 230SL, fits FTE+MB	229035	41,00 €	46	Cl. mast. cyl. rpr. kit 250SL	229036	12,32 €
48	Clutch slave cylinder 280SL	229003	184,59 €	48	see 229003	229803	63,08 €
48	Clutch slave cyl. 230-250SL	229002	169,00 €	49	Bleeder screw, '58->, M6	143012	6,59 €
50	Bleeder valve cap, brake, steering	143041	2,05 €	51	Slave cyl.rep.kit 280SL	229033	38,65 €

51	Slave cyl.rep.kit 250SL from.	229031	24,89 €	51	Slave cyl.rep.kit 230SL, 250SL ->G01289	229032	18,35 €
54	3pcs-assy Bracket, clutch+waterreservoi	229086	61,29 €	55	Reservoir, cl. hyd. fluid	220102	100,00 €
56	A0004315433 Reservoir cap	143023	15,55 €	65	Pipe Clutch Hydraulic, -replacement!	229007	39,98 €
66	Pipe, CI mast.->ho. 250-280LHD M12 thread	229011	44,57 €	66	Pipe, lower,c.r.m. 230SL LHD, M14 thread	229012	50,62 €
67	Clamp,small,e.g.hydraulicpipe	229027	3,65 €	68	Rubbergrommet at firewall	299002	3,05 €
69	Grommet, 6/27mm,45° hydr.line clutch	298787	2,82 €	69	Grommet 6/26, 45°, e.g. hydr-line clutc	299001	2,68 €
73	Hose,clutch slave.cyl. 230SL, 213mm, M14/F14	229010	47,60 €	73	Clutch hose 250/280SL M14/W12	229713	18,90 €
98	Hexagonal nut 10 M8, galv. Verz.	990101	0,15 €	98	Bolt M8, eg bellhouse at slave cylinder	299229	4,30 €

26.a Gearbox (manual)

26.a Gearbox (manual)

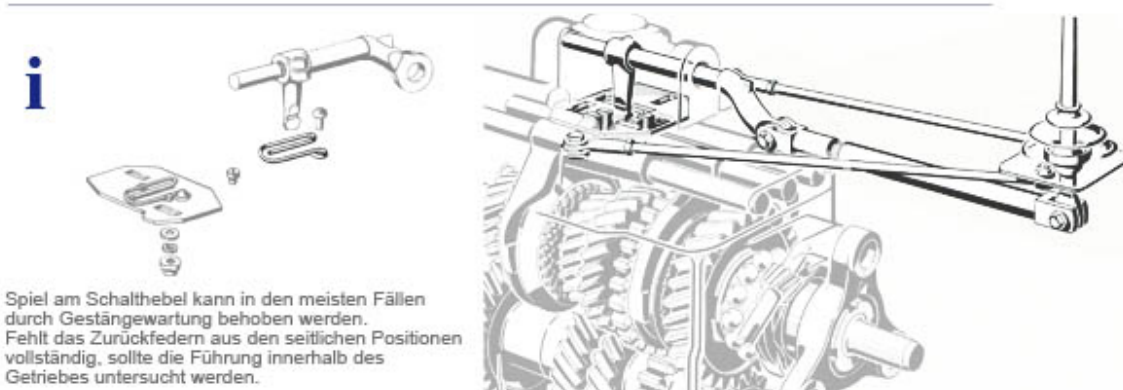
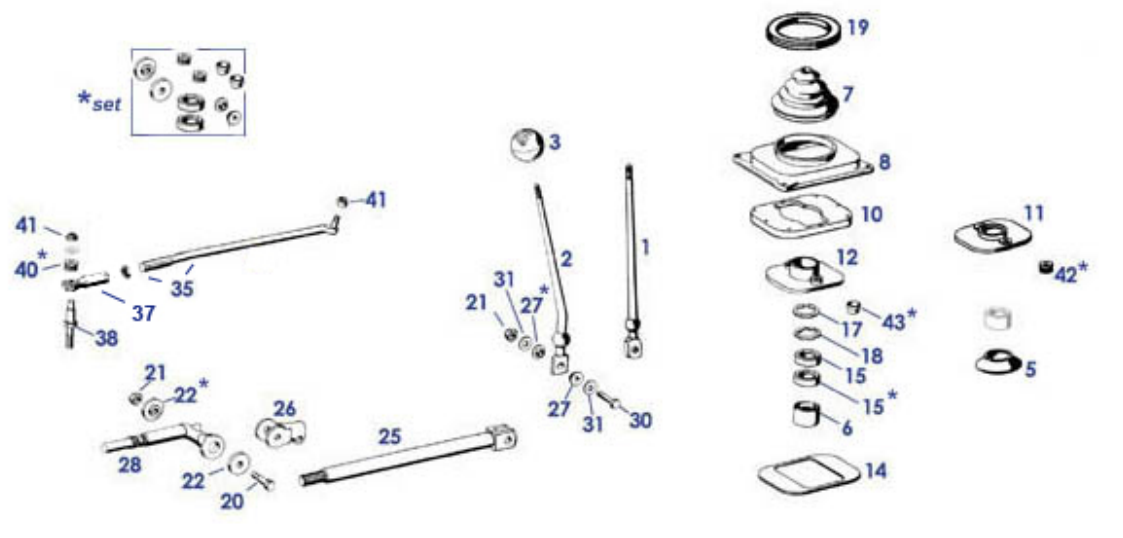


	washer 7,4 X 14 X 1,6 zinc plated	226124	0,14 €		Synchronizing ring, per piece	226750	89,90 €
3	gear bearing set, 8pcs.	226860	809,20 €	3	Gasket set 5-speed ZF, late 280	226295	232,05 €
5	Trans. top cover gasket 025118	126015	7,60 €	6	Rear Gasket, Gear Box	226112	12,30 €
6	Gasket, gear box rear	226712	12,30 €	7	Gkt.gear box fr. 250-280SLFN	226749	10,70 €
7	Gkt. gear box front, -> 09.64	126719	11,89 €	7	Gkt.gear box front, 230SL from G 006111, 250-280SL	226049	11,42 €
7	Gkt. gear box front, -> 09.64	126019	12,95 €	9	Seal ring gear link / housg-top	226012	3,68 €
11	Seal Ring gear box drain plug	226047	0,44 €	12	Seal ring speedo/rev drive	126039	4,88 €
12	rubber seal, speedo cable, if flange with furrow, large	254119	10,71 €	13	Seal ring e.g. gear driveshaft IN, OD=3	126042	4,25 €
13	Seal ring man-gear driveshaft, OD=47mm	526042	3,68 €	14	Seal @ transmission	126030	7,31 €
18	Sleeve, selector rod	226164	3,05 €	21	Bold, gear box top, from 12.65	226144	16,72 €
21	Bolt, shift shaft bearing ->11.65	226142	17,78 €	23	Spring clip for Rt.+Lt. cable	254071	0,83 €
23	contact pin 4mm brass silver plated	754956	0,54 €	23	Part of housg. 2-pole connector w.nose	754955	3,75 €

25	hex.socket head cap screw M7X20 fits to 233077	233074	0,92 €	30	Spring at shift link	126014	14,33 €
47	Roller cage bearing, copper version	226056	59,45 €	72	Synchronizing ring, per piece, Repro, nose-width 10mm	226050	26,18 €
72	Synchronring	226850	64,38 €	73	Synchronizer body for 3rd & 4th gear	126070	823,88 €
74	Lock washer,nut, main sht. fr.	226054	3,25 €	75	Nut, main shaft M26x1,5	226055	15,92 €
78	Sync. inner mech. ->280SL CN.001679	226160	121,12 €	80	Needle bearing, 3rd gear,23	226057	171,35 €
81	needle bearing set, main shaft	226058	255,28 €	82	needle bearing main shaft for 1st gear	226061	235,00 €
87	Ball bearing, main shaft	226859	48,93 €	87	Set main roller beargs 5-speed ZF	226297	428,40 €
87	Ball bearing, drive shaft, 5-speed box 35x80x21	226559	15,57 €	87	Ball bearing, main shaft	226959	82,38 €
99	Spring, Synchromesh mechanism	226151	1,25 €	99	steel ball 6,5 acc. to DIN5401	226152	0,50 €
100	-NL- Vorg.Welle 230SL G..011320->012575	226146	357,00 €	112	Bearing gear ratio shaft	226876	24,51 €
112	ball bearing countershafts, 25x62x17	226076	52,18 €	116	Reverse shaft	126045	30,94 €
128	Set 3 pcs tools, fitting MB grooved nut	258260	285,60 €	128	Nut, flange, M24x1,5	126072	21,00 €
129	Lock for 3 way flange	126871	4,33 €	140	Speedo flex shaft,manual	254100	38,35 €
150	Gearbox cover,upper 230-280SL	226200	1.041,25 €	158	A1119910015 Ball pin, all from G.006111	225012	43,90 €
170	Plug screw with collar, M24	226046	1,61 €	171	Plug screw M22 with collar	114035	24,61 €

26.b Gearlever Linkage

26.b Gearlever Linkage

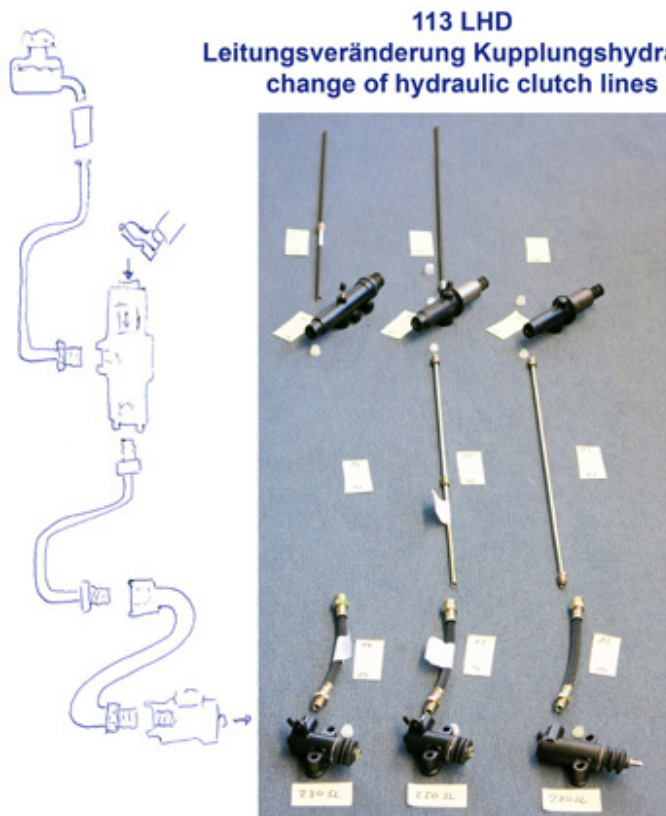


2	Spring at shift link	126014	14,33 €	1	Gear/Shifting leverFN	226020	266,83 €
2	Shift lever .042 014259->, 043,044	226026	297,02 €	3	Gear lever knob,black,4 speed, Repro	226000	46,34 €
3	Knob ivory, 4-speed, push-on, Repro	226002	45,80 €	5	Seal boot 230SL early	226014	4,26 €

6	Seal boot FN	226005	4,26 €	7	Seal boot on gear lever	226007	8,39 €
8	Cover, gear lever support 113, 111	226015	53,49 €	10	Rubber frame shift console	226816	9,94 €
12	Gear lever support from 11.'65	226018	70,03 €	14	Buffer plate, lever support,lower	226019	8,19 €
15	Bushing pan gear lever	226833	7,44 €	17	A0009947041 Lock ring on gear lever	226053	3,70 €
18	Spring washer	126055	12,25 €	19	Grommet, gearlever @ carpet	268675	8,93 €
20	Bolt M7, lever link front eyes	226023	15,89 €	21	Nut M7, self locking	226024	1,24 €
22	Bushing gear lever rod	126811	7,20 €	25	Gear shift rod, repro	226027	270,40 €
26	Fork flange, shifting rod	226025	197,60 €	27	Bushing Gear Linkage (required 4x)	126012	3,50 €
30	Bolt M7, e.g. gear lever from VIN ..42-10-004926	226034	0,96 €	30	Bolt, e.g. shift linkage up to ..42-10-004925	226035	10,56 €
31	Washers,gear lever end bolt, ref.-No. A1119903540	226028	10,91 €	35	Reaction rodFN 230 SI after 014259, 250+280 all	226036	199,19 €
37	Banjo fitting, lever support bars, 230 from 014259, 250+280 all	226038	131,94 €	38	Bolt, shift shaft bearing ->11.65	226142	17,78 €
38	Bold, gear box top, from 12.65	226144	16,72 €	40	Bushing .042 from ..14259, 043,044	226741	13,47 €
42	Bushing at Gearb. up to .042->014258	226009	4,75 €	43	Bushing support strut 1966 ->	226813	11,29 €

29.i Info Veränderung der Hydraulikteile

29.i Info Veränderung der Hydraulikteile



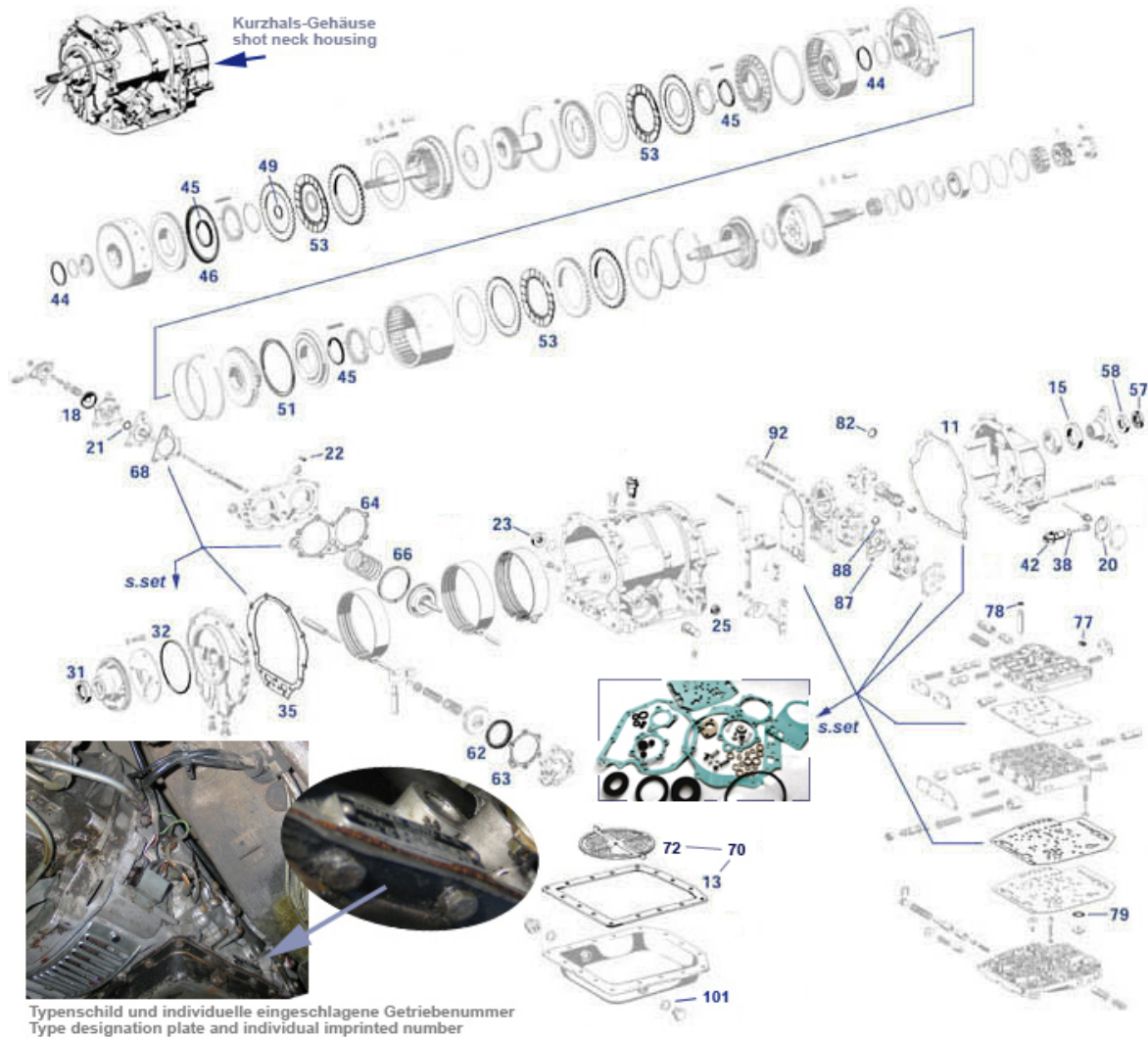
	LHD 230SL	LHD 250SL	LHD 280SL
Verb.-Schlauch Vorrat an obere Leitung Connection Hose Reservoir to upper Pipe	229001	229001	229001
Rohrleitung Vorrat an Geberzylinder Pipe Reservoir to CL-Mastercylinder	229007	229007	229021
<i>Hydraulik-Gewinde Hydraulic Connection Thread</i>	<i>M12</i>	<i>M12</i>	<i>M14</i>
Geberzylinder CL-Mastercylinder	229808	229009	229804
<i>Hydraulik-Gewinde Hydraulic Connection Thread</i>	<i>M14</i>	<i>M12</i>	<i>M12</i>
Rohrleitung Geberzylinder an Schlauch Pipe CL-Mastercylinder to flexible Hose	229012	229011	229029
<i>Hydraulik-Gewinde Hydraulic Connection Thread</i>	<i>M14</i>	<i>M12</i>	<i>M12</i>
Druckschlauch flexible pressure Hose	229810	229813	229813
<i>Hydraulik-Gewinde Hydraulic Connection Thread</i>	<i>M14</i>	<i>M14</i>	<i>M14</i>
Nehmerzylinder Clutch Slave Cylinder	229802	229802	229803

229007	Clutch slave cylinder 280SL Pipe Clutch Hydraulic, -replacement!	229003	184,59 €	229009	Clutch master cylinder, 280SL Clutch master cylinder, 250S/SE/SL, FTE	229004	268,20 €
229011	Pipe, Cl mast.->ho. 250-280LHD M12 thread	229011	44,57 €	229012	Pipe, lower,c.r.m. 230SL LHD, M14 thread	229012	50,62 €
229802	Clutch slave cyl. 230-250SL	229002	169,00 €	229803	see 229003	229803	63,08 €
229810	Hose,clutch slave.cyl. 230SL, 213mm, M14/F14	229010	47,60 €	229813	Clutch hose 250/280SL M14/W12	229713	18,90 €

27 Automatic Gearbox

27.a Automatic Gearbox

27.a Automatic Gearbox

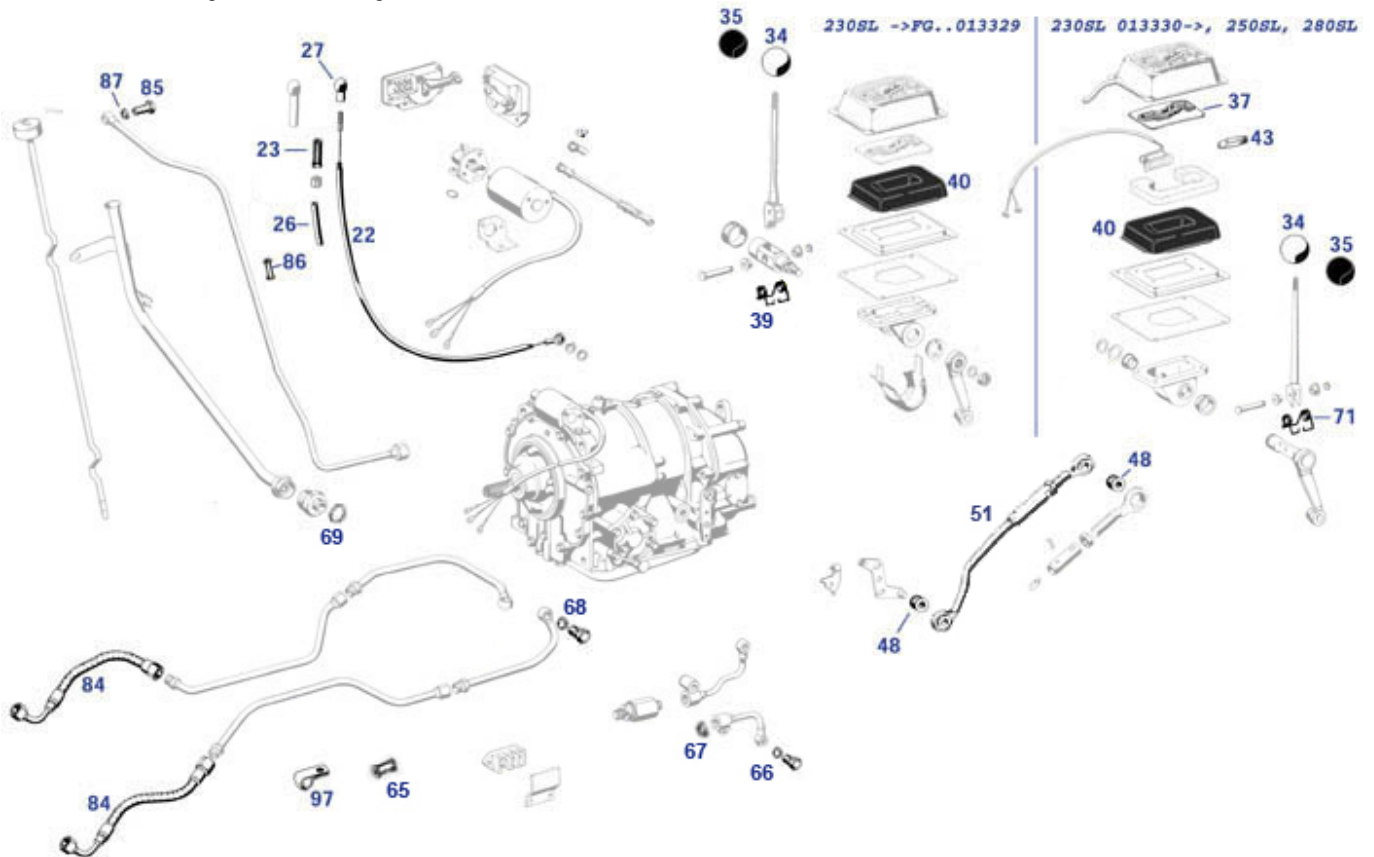


	see 227252	227800	291,55 €		Seal ring at autom.clutches ref A1152720692	227246	8,75 €
	hollow bolt M12, e.g. @autom gear lines	107141	10,59 €		Metal clutch plate, outer, autom., 3mm	727223	16,24 €
	Metal clutch plate, outer, autom., 4mm	727224	16,24 €	11	A1122711480 Gasket,auto g.b. Rear	227180	7,18 €
13	Gasket, sump, autom.gearbox	227004	3,63 €	13	Gasket, sump, autom.gearbox	227704	3,50 €
15	Seal ring 250/280SL e.g. autm. rr 38x62	227042	6,25 €	15	Oil seal ring, rear Autm,230SL,111 earl	227041	8,20 €
18	Diaphragm, pressure regulato	227820	23,80 €	19	Gasket, vacuum cylinder, ref.-No. A1102770180	227280	7,35 €
20	Gasket, speedo drive/cover, ref.No. A1122740180	227029	3,87 €	21	'O' ring	227027	0,58 €
31	Seal ring, primary pump, au.	227045	6,62 €	32	'O' ring, primary pump, autm.	227047	2,31 €
35	Gasket set, Repro, autm. transm.	227252	134,83 €	42	rubber seal, speedo cable, if flange with furrow, small	254118	10,89 €
42	Flange, speedo cable / autm, improved	227826	169,93 €	45	Disc, autom.	227848	13,09 €
53	friction disc 113 autom. 2.2mm	227225	19,24 €	53	Metal clutch plate, outer, autom., 2mm	227224	11,88 €
53	Metal clutch plate, outer, autom., 3,5mm	727226	16,24 €	57	Nut, flange, M24x1,5	126072	21,00 €
58	Lock for 3 way flange	126871	4,33 €	62	Ring, sealing lip, ref. A 112 277 0192	227832	13,09 €

70	Oil filter w/o seals, from G 006750	227805	145,56 €	72	Saling strip @ oil filter	227019	3,63 €
77	A1122770392 Seal ring, autm.control uni	227867	4,76 €	78	Gasket, change lever housing	227063	0,56 €
79	A0059974145 Sealing ring, change lever	227069	0,60 €	82	'O' ring, speedo drive	227037	0,58 €

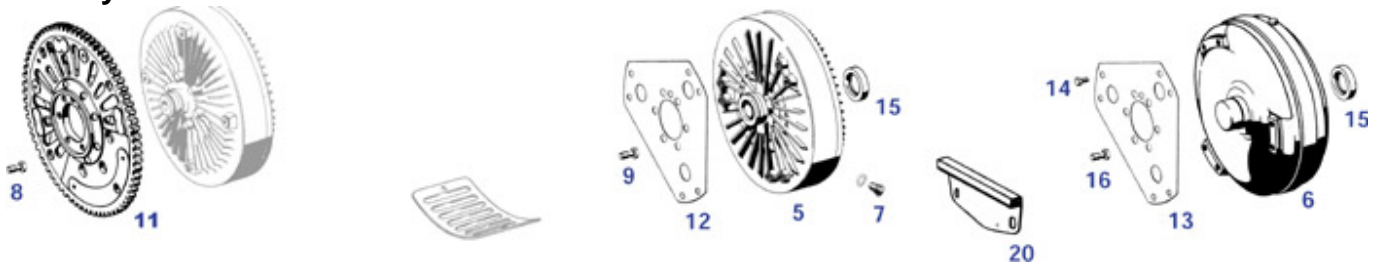
27.b Automatic: Linkage and Connecting Parts

27.b Automatic: Linkage and Connecting Parts



	clamp	107043	17,14 €	22	bowden cable for reverse light, R113 Au	227803	37,06 €
23	Adjustable Sleeve for Gear Shift Cable - Automatic	227032	20,10 €	26	rubber hose, protection, 1m	799909	1,00 €
29	A0005466541 Terminal block, 3 pole	254064	29,99 €	33	A1123040060 Sealing ring, solenoid	227062	6,93 €
34	Handle,gearshift,ivory	226003	46,34 €	35	Handle,gearshift,black	226001	51,25 €
37	Plastic inlay, shift gate R113, "P" rear	226101	17,45 €	37	Plastic inlay, shift gate R113, "P" rear	226201	20,85 €
39	Spring, Autom lever base from ca 09.'65	226319	37,49 €	39	Spring, Autom lever base up to ca 09.'65	226318	27,49 €
40	Rubber grommet Autom. shift	226103	58,25 €	43	Bulb 12V / 3W, torpedo, total length 30	226102	2,53 €
48	Bushing,shift rod front/back	226043	3,55 €	50	Bushing	226042	41,65 €
51	Automatic gear shift rod ...0533	226740	202,29 €	51	Automatic gear shift rod ...0533	226040	199,00 €
52	Insert for push rod sleeve (autm-lever)	226044	35,69 €	54	Cover, for wire terminal @ autom-housing	254009	33,24 €
57	foam insert, autm. lever box	226107	19,75 €	58	insulation pad, autm lever box	226106	16,66 €
65	Grommet for oilpipe, autom.	227059	2,96 €	66	Sealing ring ID8, eg. for hollow screw	220011	0,10 €
67	Alu seal ring M12, eg. eng. block@chain	107143	0,24 €	68	hollow bolt M12, e.g. @autom gear lines	107141	10,59 €
69	Seal ring 14mm Alu	207186	1,08 €	84	Hose, autm. oil to rad L or R	227901	94,40 €
85	Hollow screw on suction pipe	227022	1,26 €	86	Protective sleeve,vacuum pipe	227858	5,36 €
87	Seal ring 10x13,5, Alu, e.g. sender, hollow bolts	227023	0,50 €	97	Clamp, oil pipe, autom.	227099	4,46 €

25.c Hydr. Clutch



	Cover, for wire terminal @ autom-housing	254009	33,24 €	8	Flywheel stretch bolt	103029	9,98 €
12	disc, flywheel to autm drive 127FN,110	203105	92,03 €	15	Seal ring,primary pump, au.	227045	6,62 €
16	Bolt, flywheel Autm. 129-130, 127FN	203027	42,19 €	20	Plate , cover, gearbox case	225056	33,97 €

27.i Info Belagzustand

27.i Info Belagzustand



Info Belagzustand - Indikator Getriebeöl:
die Demontage der Getriebeölwanne ist einfach und liefert gute Hinweise: An Filter und in Ecken der Ölwanne sammeln sich zuerst die Zeugen verschlissener Bremsbänder oder Kupplungen.

1: Innenlamelle Neuteil.

2: Belagstärke OK, aber Öl verrußt durch Abbrand anderer Beläge.

3: Verschleißgrenze des Belages erreicht, Schaltvorgänge noch OK.

4: Schaltvorgänge beginnen zu rutschen, Einstellversuche am Moduldruck können das Problem noch kurzfristig verlagern.

5 + 6: vollständiger Belagverlust führt zu Verschleiß der Außenlamellen. Nicht selten werden die Getriebe noch über viele Tausend Kilometer weiter gefahren.

7: Verzug infolge Lamellen-Überhitzung. Metall-Abrieb im rußverdunkelten Öl führt zu erheblichen Folgeschäden im restlichen Getriebe.



2



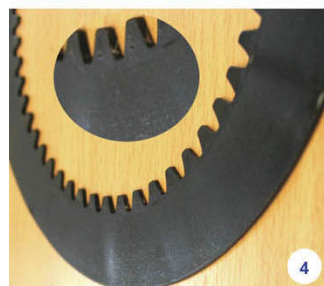
5



3



6



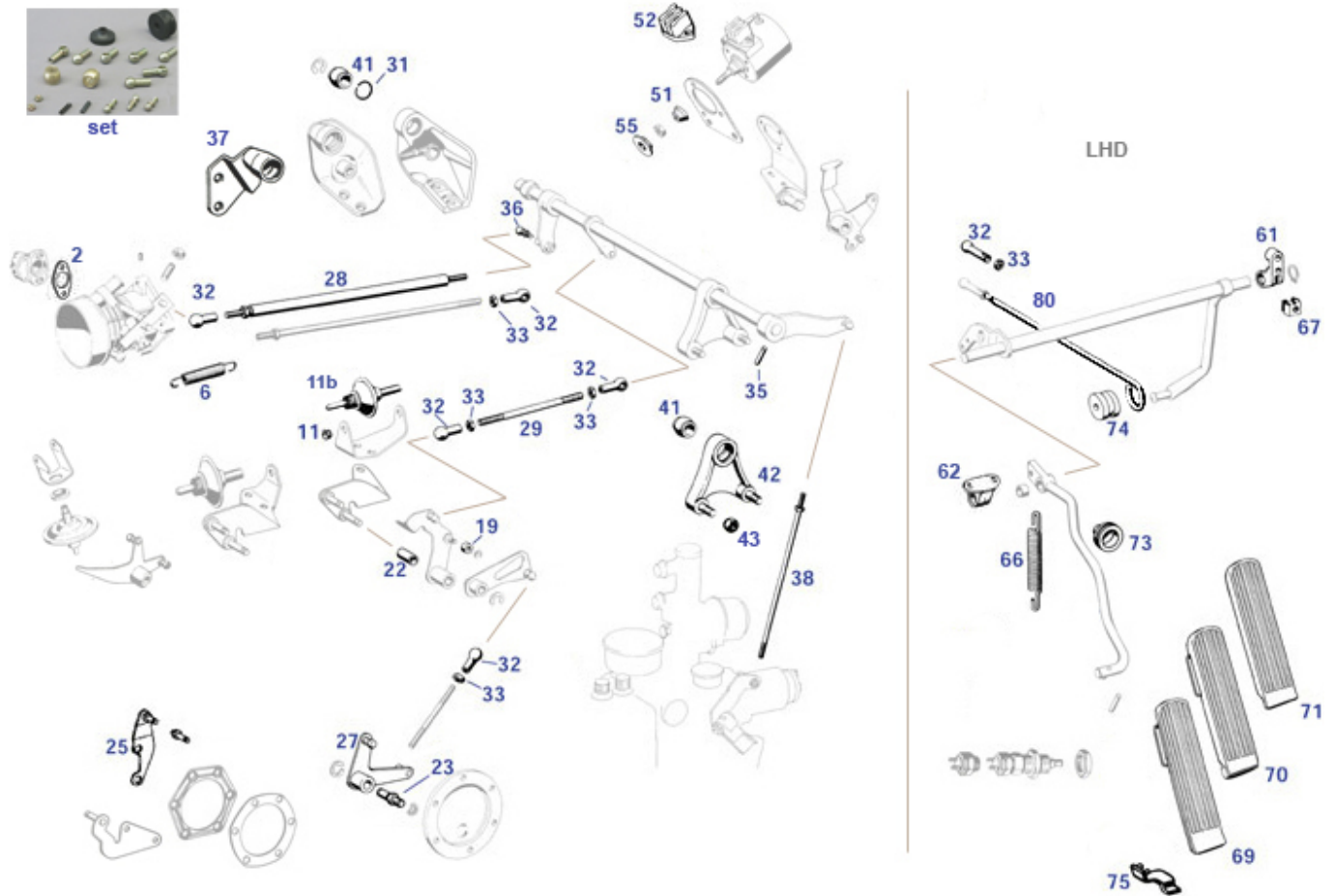
4



7

30 Acc Linkage

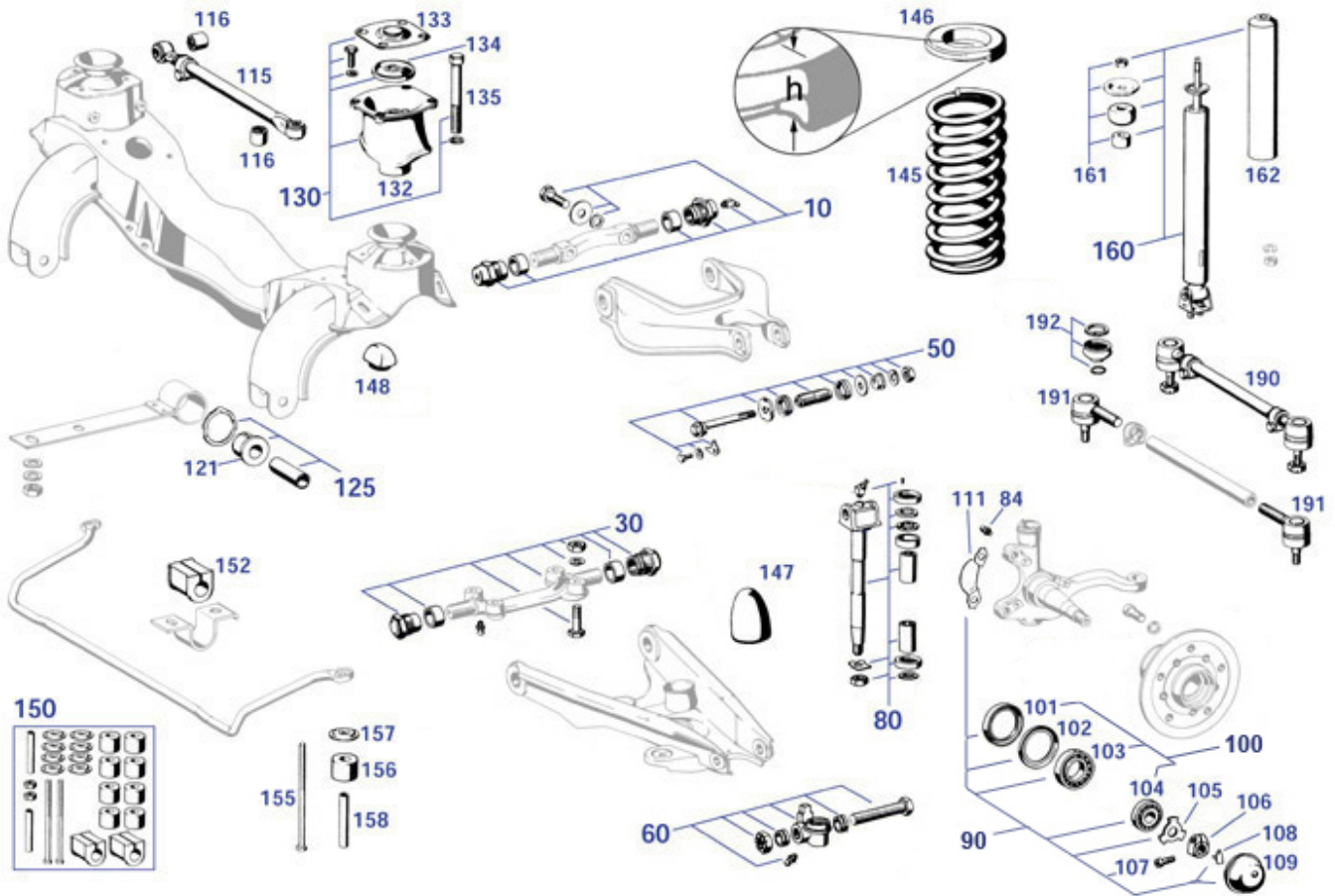
30 Acc Linkage



	Dampening rubber for pull rod	130200	11,75 €	2	Gasket, idler switch, metal	214080	3,69 €
2	Cap, throttle flap shaft	214074	55,22 €	6	Spring, throttle flap	230017	15,93 €
11b	Accel. shut off damper, shape see photo	207116	109,00 €	19	nylon roll für acc linkage levers with gate	207873	1,96 €
23	Bushing, acc linkage near engine	230015	5,43 €	25	support acc linkage at engine support	230018	15,90 €
27	Lever, acc linkage, see picture	230016	97,50 €	28	Push rod, acc-link, 280mm L/R-thread	230032	85,88 €
29	Pull rod, link to acc turn shaft	230835	19,36 €	32	Ball socket with Lt. hand threads	230004	2,44 €
33	Nut, 5mm, right hand thread	199095	0,24 €	33	Nut, 5mm Lt. Hd. Threads	230006	0,83 €
35	spring type straight pin 4 X 18	230007	0,51 €	36	Ball headed bolt	230008	1,67 €
38	Push rod, acc link to inj-pump, R+L-thr	230809	24,51 €	41	Brass bush, throttle link support	207085	3,99 €
42	ACC linkage shaft support LH, eng 127-130E	207788	127,20 €	43	Clamp, vacuum line at support	243079	21,60 €
43	Special nut, acc linkage support to mount LH	230029	3,57 €	50	Solenoid A0000720500	207100	1.245,00 €
51	Grommet, acc linkage solenoid	207899	3,93 €	51	Bracket, solenoid	207201	38,62 €
52	2 pole terminal	154052	44,85 €	55	collar nut, e.g. Solenoid pin	299334	13,66 €
61	Bracket, ACC-shaft, holes vertical	230013	75,08 €	62	mount, acc shaft, e.g. 113 lh, others	230042	52,00 €
66	Spring, e.g. throttle linkage R113	199091	20,29 €	67	Cage nut M6, no locking	188835	1,90 €
69	Accelerator pedal, 113 manual	230000	91,93 €	70	Acc. pedal R113-autom. cplt.	230100	130,00 €
71	Ruber pad, accelerator pedal	230001	26,18 €	73	Grommet, acc. Pedal, bulkhead	299006	4,19 €
74	Dampening rubber for pull rod 45 SHORE A	130800	6,39 €	74	Buffer ring, acc linkage (60°SH)	230800	6,39 €
75	Bracket, accelerator pedal assy LHD	261140	41,00 €	80	Push rod gas linkage 230SL early A1113001215	230019	87,76 €

32, 33 Front suspension

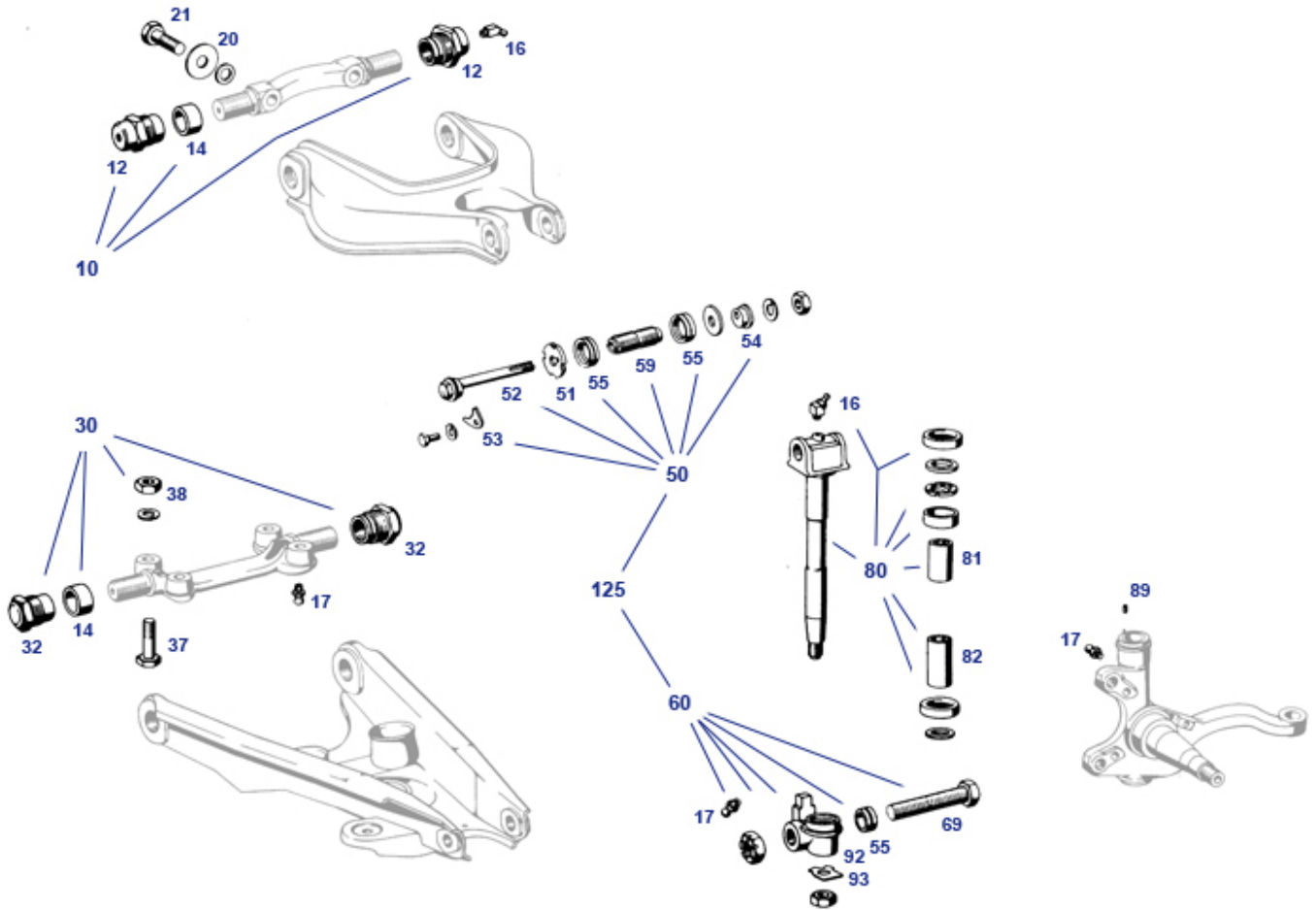
33.a Front Axle



Spring washer 14mm e.g. cam wheel	105028	0,55 €	Spacer	233097	10,00 €
As long as stock lasts!: Rubber buffer ring	232979	3,00 €	Threaded bushing, 30.9mm, with groove	233036	21,42 €
Threaded bushing, 29.9mm, no groove	233037	21,42 €	M12 DIN 127 lock washer	233042	0,39 €
Lock plate	233043	2,58 €	Bolt for Control Arm Mounting Pin	233044	9,52 €
hex nut M12 X 1,5 zinc plated class 10	233046	1,58 €	King pin security washer	233051	3,21 €
Bush, king pin, lower=L45mm	233053	14,28 €	galvanized Spring washer M8	233059	0,21 €
Bolt 8x22, clutch plate	233064	0,37 €	Screw W108 front cross member	233067	0,43 €
Spacing sleeve leaf spring frt	233098	8,20 €	Mount, coil spring 25mm, diam.problem	232813	38,79 €
Spring washer M14	233103	0,50 €	Washer 15mm	233104	0,76 €
Bolt, strut to frt axle, M16x80	233106	2,56 €	Locking Nut M8, e.g. damper	299333	0,76 €
Cotter pin 2,0 x 25, e.g. tie rod nuts	299460	0,12 €	Cap for grease nipple, red	333048	0,65 €
Shock absorber R/C107,114-5 front, KONI - Classic	732103	210,00 €	Buffer, rubber, subframe mount, B-quality	233760	42,42 €
Split pin 3x36	133059	0,18 €	pin 2,5 m6 X 6	233750	0,31 €
Washer at clamping nut, no inner pintle	233972	27,97 €	Castle nut M10X1, thin shape, early joint	133706	2,45 €
Hexagonal nut 10 M8, galv. Verz.	990101	0,15 €	mount, coil spring 30mm	232814	35,69 €
set steering rod with special screw and washers	246660	38,08 €	Seal Ring, upper & lower	133015	6,77 €
Threaded bushing	133018	10,00 €	Grease nipple, M8, 45°, FEBI	133048	0,57 €
Sealing rings, Upper or lower	133041	2,05 €	toothed washer, adjuster at upper ctrl arm	133023	0,89 €
Threaded bush, 30.9mm, with groove	133039	25,29 €	King pin bearing ot/lw.	133031	43,89 €
Bolt, king pin br. ot/lw	133032	10,17 €	Threaded bush, 29.9mm (no groove)	133038	25,25 €

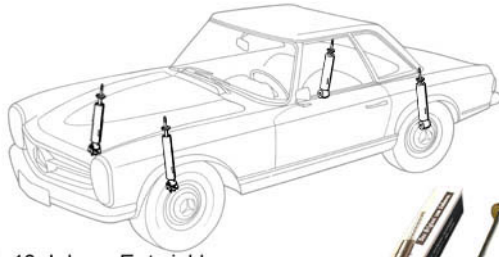
	Spring washer	222005	0,44 €	50	Control arm rep. kit, upper outer, FEBI	133010	47,67 €
50	Repair kit, control arm outer, lower+upper 1 side FEBI	133025	77,35 €	60	Control arm rep. kit, lower outer, FEBI	133030	61,17 €
80	King pin repair kit	233050	79,79 €	84	Grease nippleFN	233048	0,26 €
90	Rep kit wheel bearing from 06.'61, FEBI	233880	39,88 €	101	Seal ring @ frt wheel bearings	142625	8,88 €
102	Bearing retainer ring 06.61 ->	142608	23,75 €	102	Bearing retainer ring 06.61->, orig.	142600	79,67 €
103	Wheel bearing, inner, 06.61 -> 89, FAG	142680	15,92 €	103	Wheel bearing, inner, 06.61 -> 89	142580	7,14 €
104	Wheel bearing, outer	142630	4,58 €	104	Wheel bearing, outer, FAG	142730	25,26 €
106	Clamp nut multiple cars from 1956-1985 A1203340772	233077	32,53 €	107	hex.socket head cap screw M7X20 fits to 233077	233074	0,92 €
107	hex. socket head cap screw 10.9 M6 X 20,	233076	1,08 €	108	Contact	233078	1,56 €
109	Cap, front wheel bearings 110-115,	233079	7,96 €	111	locking plate, caliper frt '66-12'76	242008	6,19 €
116	Rubber mounting, tie rod	298777	5,31 €	121	Rubber bushing, import quality	233896	9,88 €
121	Rubber bushing, orig quality	233096	24,86 €	132	Buffer, rubber,subframe mount	233060	96,52 €
133	Buffer plate, subframe upper mounts	233861	35,14 €	134	stopper shim	233062	13,99 €
135	hex.head screw M12 X 1,5 X 90, cross member	233063	1,80 €	145	Front spring, lft or rgt,std.	232010	124,95 €
146	Mount,coil spring, 25mm	232012	57,37 €	146	Mount,coil spring, 20mm	232011	57,37 €
146	Mount,coil spring, 22.5mm	332015	57,37 €	146	Mount,coil spring, 30mm	232013	57,37 €
146	Mount,coil spring, 27.5mm	832014	57,37 €	147	Rubber buffer, lower ctrl arm	233066	5,95 €
148	Rubber buffer, upper ctrl arm	233065	9,76 €	150	Bushing kit, fits 22mm torsion bar (incl 20mm rbr)	233071	95,63 €
150	Bushing kit, fits 20mm torsion bar (incl 18mm rbr)	233070	86,06 €	152	Rubber 20mm for torsion bar 22mm	232002	18,75 €
152	Rubber 18mm for torsion bar 20mm	232050	16,33 €	155	Bolt,torsion bar/ swg.arm	232016	8,56 €
156	Buffer,torsion bar/ swg.arm	232017	10,20 €	157	A111323026702 Washer,torsion bar/ swg.a	232018	3,57 €
157	screw M8	232026	0,56 €	158	Spacer tube,torsion bar/ swg.arm	232019	6,25 €
160	Sachs shock absorber W113 front, per piece	232112	109,85 €	160	Shock absorber, gas, Bilstein	232101	284,40 €
160	Shock absorber front W108-111, 113, KONI - Classic	232103	164,90 €	191	Right Tie Rod end -"Febi"	233092	7,25 €
191	Spurstangenkopf, Rechtsgewinde	233992	10,98 €	191	Tie rod end	233991	16,92 €
191	Left Tie Rod end -"Febi"	233091	7,25 €	191	Tie rod end, Rt. thread, brand Meyle	233192	8,60 €
191	Tie rod end, Lt. thread, brand MEYLE	233191	8,60 €	192	Split pin 2,5 x 25, fits crown nuts seering linkage	133007	0,24 €
232835	Washer upper shock mount	232835	4,99 €	232879	Rubber buffer ring	232879	3,24 €
232989	Hex nut M10 fine, e.g. shock-absorber	232989	0,70 €	233199	Bolt, M8x35, fits drag links	233199	0,44 €

33.c separate items control arm bearing



12	Threaded bush, 29.9mm (no groove)	133038	25,25 €	12	Threaded bush, 30.9mm, with groove	133039	25,29 €
14	Sealing rings, Upper or lower	133041	2,05 €	16	Cap for grease nipple, red	333048	0,65 €
16	Grease nipple, M8, 45°, FEBI	133048	0,57 €	17	Grease nippleFN	233048	0,26 €
20	Lock plate	233043	2,58 €	21	Bolt for Control Arm Mounting Pin	233044	9,52 €
32	Threaded bushing, 30.9mm, with groove	233036	21,42 €	32	Threaded bushing, 29.9mm, no groove	233037	21,42 €
38	hex nut M12 X 1,5 zinc plated class 10	233046	1,58 €	50	Control arm rep. kit, upper outer, FEBI	133010	47,67 €
51	toothed washer, adjuster at upper ctrl arm	133023	0,89 €	55	Seal Ring, upper & lower	133015	6,77 €
59	Threaded bushing	133018	10,00 €	69	Bolt, king pin br. ot/lw	133032	10,17 €
80	King pin repair kit	233050	79,79 €	82	Bush, king pin, lower=L45mm	233053	14,28 €
89	pin 2,5 m6 X 6	233750	0,31 €	93	Nut, strut to body	233102	2,05 €

32 Info Bilstein Shock Absorbers



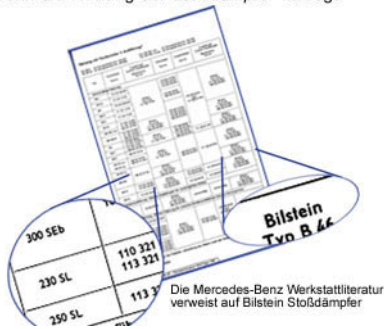
Bilstein ist seit mehr als 40 Jahren Entwicklungspartner in der Fahrwerkstechnik bei Mercedes-Benz und war auch für die 230-280SL Erstausrüster mit Gasdruckstoßdämpfern.



Gasdruckdämpfer von Bilstein haben einen hohen Qualitätsstandard und passen mit ihrer Abstimmung zum Fahrwerk Ihres SL.

Verschlossene, defekte, unpassende oder schlecht abgestimmte Stoßdämpfer sind keine Bagatelle:

Die konstruktionsbedingten Eckdaten Ihres SL (Gewicht, Radstand, Achsgeometrie) können zu "Bremsnicken", unberechenbar ausfedenden Hinterrädern in Kurvenfahrt und schlechtem Geradeauslauf führen, wenn die Wirkung der Stoßdämpfer versagt.



Bei allen Stoßdämpfern gibt es einen Ausgleichsraum für das veränderliche Volumen der eintauchenden Kolbenstange. Bei **Gasdruckdämpfern** ist dieser Raum zuverlässig abgedichtet und baut einen stetigen Gegendruck gegen den Ölraum auf. Dadurch wird Blasenbildung im Öl verhindert, die Dämpfung bleibt auch bei starker Beanspruchung und langem Einsatz erhalten.



Folgende Lieferumfänge sind erhältlich:

230/250/280SL Stoßdämpfer Bilstein Gasdruck je mit Montagematerial, mit Bilstein Herstellergarantie.

SLS Art. [232101](#) = 1 Stück einzeln für Vorderachse

SLS Art. [232111](#) = 1 Stück einzeln für Hinterachse

SLS Art. [232200](#) = 1 Fahrzeugsatz (beide Achsen)

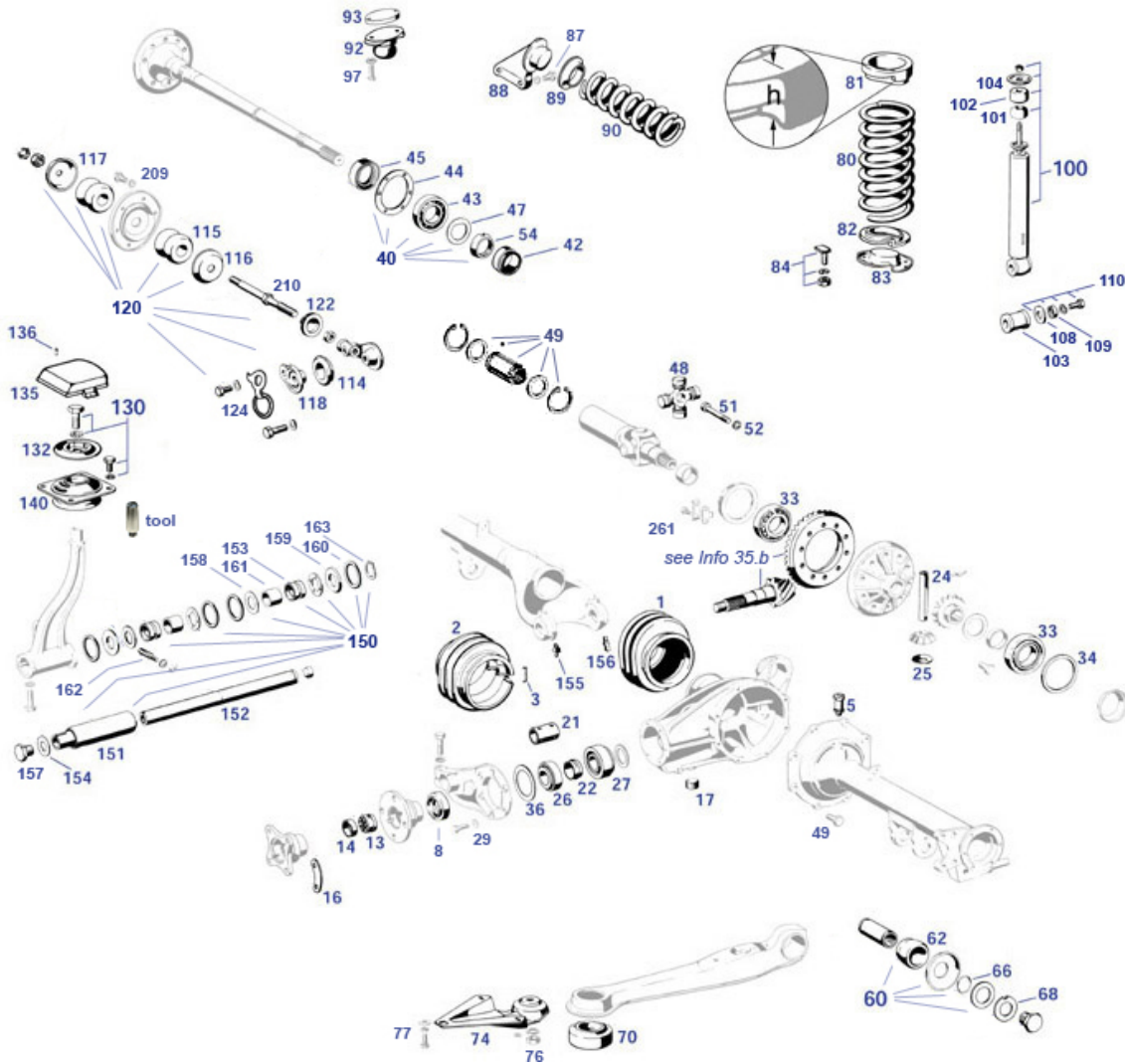
Auch erhältlich für viele weitere Mercedes-Benz Oldtimer !

others	Shock absorber rear, Bilstein Gas	132022	314,99 €	others	Shock absorber front, Bilstein Gas	132111	324,99 €
others	"Bilstein shocker W114-5 front "HD"	532101	203,49 €	others	Bilstein shock absorber 114/5,rr, 'HD'	532111	189,21 €
others	Bilstein shocker R/C107to 8.85	732101	232,16 €	others	Bilstein shocker R/C107fr.9.85	732105	208,25 €
others	Bilstein shocker R/C107 rear	732111	236,20 €	others	Bilstein shocker 108/110-1 fr.	832101	232,16 €
others	Bilstein shocker W109 fr.	832103	209,90 €	others	Bilstein shocker 108/110-1 rr.	832111	226,99 €
others	Bilstein-shocker W109 rr.	832113	175,00 €		Sachs shock absorber W113 front, per piece	232112	109,85 €
	Rubber buffer ring	232879	3,24 €	232101	Shock absorber, gas, Bilstein	232101	284,40 €

35, 40, 41 Rear Suspension, Wheels, Propeller Shaft

35.a Rear Suspension

35.a Rear Suspension

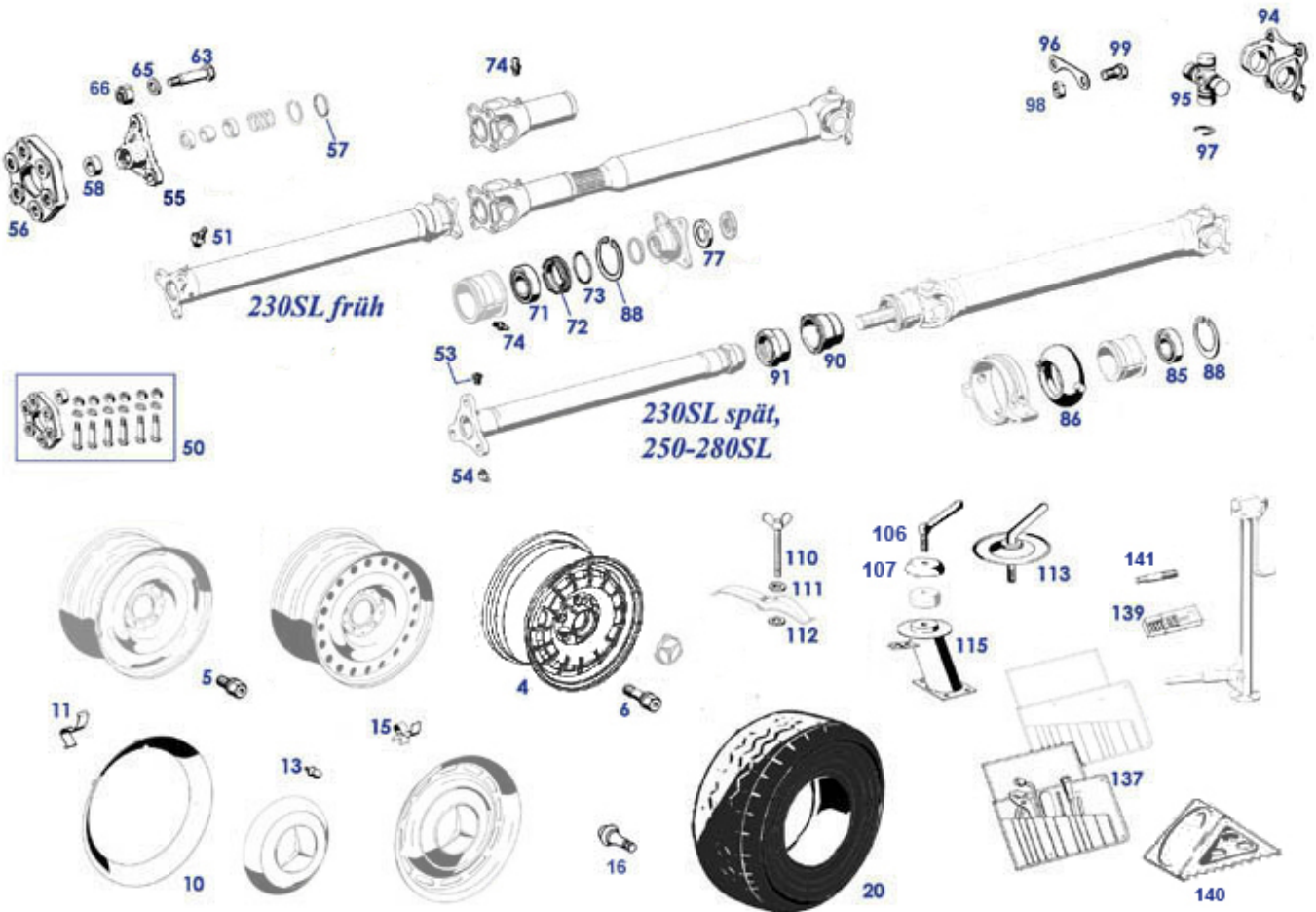


bolt	Screw connecting rod -> axle	235053	23,54 €	tool	Mounting aid upper ctr rear mount	258353	74,99 €
distancer	Ring connecting rod -> axle	235031	2,98 €	retainer	Washer connecting rod -> axle	235030	8,98 €
bush	Bolt connecting rod rear	235029	16,05 €		Locking Nut, cross strut near axle	235227	1,94 €
	Sleeve, length 26.0mm (std), OD+0.4mm Rep.	235307	51,38 €		Cap,to235308	235309	1,32 €
	As long as stock lasts!: Rubber buffer ring	232979	3,00 €	bits	Locking ring M10	299328	0,38 €
	Rubber mount ring, struts to body see 235013	235721	11,65 €	retainer	see 235030	235830	4,70 €
	Tool for special nut rr axle shafts	235813	5,00 €	bits	Hex bolt, damper-> rr axle	232988	0,56 €
		258750	130,90 €		on request: latch for cross strut NOS/used	135223	188,50 €
	support balancer spring RH axle, ref.No. A1103202343	232804	79,49 €	1	Swing axle sleeve, closed, premium quality	135930	49,43 €
1	Swing axle sleeve, closed	135130	29,96 €	2	Sw. Axle sleeve, open, repair, premium quality	135931	80,92 €
2	Sw. Axle sleeve, open, rep., design differs to orig	135131	41,45 €	3	Clamp for repair bellows	135832	1,19 €
3	1m metal strip, 9mm clamp	109830	3,09 €	3	Lock / winding clip for 9mm strap	109835	2,84 €
8	Seal ring,input shaft 230-280SL..	235015	12,98 €	13	Diff Pinion Grooved Nut A1113500166	235714	36,00 €
13	Set 3 pcs tools, fitting MB grooved nut	258260	285,60 €	14	Washer Lock for Differential Flange Nut	235013	6,68 €
16	Bolt, drive shaft	241049	38,96 €	16	Nut, rear prop shaft fitting	241848	0,92 €
16	Nut, rear prop shaft fitting	241048	0,92 €	16	tabbed lock plate ,driveshaft	241014	8,45 €

17	Plug screw M24 conical, no collar	114025	8,98 €	22	spacer sleeve, diff.	235809	4,93 €
24	Pin,diff. gear 250-280SL	235159	124,43 €	24	250-280S/SE/SEL/SL, FEBI		
26	Bearing, pinion wheel shaft from '68, front	235011	24,35 €	26	Pin, differential	135159	148,99 €
27	Reel taper bearing	235118	70,00 €	27	Bearing, pinion wheel shaft up to '67	235816	22,51 €
29	hex head screw M8 X 20, 10.9 e.g. diff. front, ref.-No.	235037	0,99 €	33	bearing, outer shell only	235119	24,16 €
33	Rear axle inner bearing	135070	30,12 €	34	Differential Bearing	235039	44,85 €
34	Distance washer 1.8, LH differential bearing	235143	16,66 €	34	Distance washer 2.0mm, LH differential bearing	235145	16,66 €
36	Distance washer 1.5mm at late pinion bearing	235150	14,28 €	40	Distance washer 2.2mm, LH differential bearing	235147	17,85 €
42	Inner seal ring, axle shaft W108,111,113,110	242114	12,82 €	43	Axle shaft brg./seal kit lft.	233085	29,93 €
43	Rear axle ball-bearing	235005	22,88 €	44	Rear axle roller bearing, RT, (drum shape rollers)	135858	67,38 €
44	Paper gasket, axle types from W110	242113	7,35 €	44	Paper gasket, axle types from W110	242813	4,11 €
44	screw for brake axis 230 SL	242116	33,44 €	45	Screw, backplate to axle, 250-280SL	242117	39,98 €
47	Rear axle lock plate	235006	12,79 €	48	Seal ring, outer,front axle Gen. 110 (113,108)	242115	11,44 €
49	Bearing Sleeve with mounting bits, tested repro	235770	999,99 €	49	Locking ring 2.35mm @ joint cross bushg	235059	46,58 €
51	Bolt, universal joint 230SL (L70)	235231	2,25 €	52	Hex head bolt M10 x 22, LH axle to diff. ref.-No. N000933010164	235038	0,52 €
54	Tool for special nut rr axle shafts	258350	49,98 €	54	Spring washer, u/j bolt	235303	0,42 €
62	Rubber, rear trailarm to axle, 75°sh	235833	5,41 €	62	Axle shaft grooved nut	135057	11,29 €
66	Ring, spacing,inj. Pump	235034	1,64 €	68	Rubber, rear trailarm to axle, 65...70°sh	235733	3,61 €
70	Rubber mount Suspension strut mounting ring	235021	13,11 €	70	Tab washer, trailing arm	235032	5,30 €
70	Rubber mount ring, struts to body	235821	10,35 €	76	Mounting aid front thrust bearing	258351	69,02 €
76	Spring washer M14	233103	0,50 €	77	Nut, strut to body	233102	2,05 €
80	Coil spring, SL113 rear L or R, brand Eibach	232820	82,85 €	80	Shim, Exh/Tank support	298776	2,83 €
81	Ring, rubber,upper, 24mm, rear rubber rear spring 30mm	232022	33,50 €	81	Spring, rear 230-280SL, Aftermarket	232020	109,99 €
81	rubber rear spring 30mm	232923	38,79 €	82	rubber rear spring 20mm	232821	32,45 €
82	Rubber ring rr spring lower	232028	8,46 €	84	rubber underlay rear spring	232828	8,22 €
88	Support, compensating spring, overhaule	232004	74,49 €	89	Square head bolt, coil spring support	232061	10,21 €
90	Compensating spring, 11.9mm	232006	83,35 €	92	Rubber-ring compensating spring	232005	6,49 €
93	Buffer distancer, repro	232209	26,00 €	93	Rubber buffer, rr axle	232008	41,39 €
97	Bolt M8 V8 early cross pipe frt exhaust	749348	0,64 €	100	Distancer, buffer to frame, Aluminum	232109	72,00 €
100	Shock absorber, gas, Bilstein	232111	288,99 €	100	Shock absorber rear W108-111, 113, KONI - Classic	232113	169,99 €
101	Rubber buffer ring	232879	3,24 €	101	Sachs shock absorber W113 rear, per piece	232110	114,42 €
102	Rubber ring, top	132027	2,82 €	104	Rubber shock->body frt	132028	5,75 €
104	Washer upper shock mount	232035	4,75 €	104	Washer upper shock mount	232835	4,99 €
108	Shaped Shim for Lower Rear Shock Mount	235328	5,55 €	109	Hex nut M10 fine, e.g. shock-absorber	232989	0,70 €
114	Rubber mount rear axle support strut A1113510448	235023	36,53 €	115	Stepped Shim for Rear Shock Mount	235329	5,43 €
116	Cup, rear axle cross strut, inner	235028	21,63 €	117	Outer Rubber Mount for Differential Mount strut	235024	7,50 €
118	A1113510240 cup, rear half	135224	199,99 €	122	Cup, rear axle cross strut, outer boot,cross strut	235027	21,63 €
124	Set locking shim + O-ring, brake wire R	242844	45,99 €	124	hex head screw M10 X 20, 10.9 zinc plated	235004	5,55 €
134	Bolt, rr axle top	235319	6,68 €	135	cover rear cross member, above axle mount	235315	1,40 €
136	Rivet,for cover in boot	269034	0,35 €	140	Rubber mount rear axle, center upper joint	269832	31,90 €
140	Rear subframe mount rubber, made in Germany	235920	274,12 €	151	Rubber bushing, axle joint, German Repro	235020	148,71 €
151	Rubber bushing, rr axle bolt, Repro	235712	93,19 €	152	Pin, rear axle center joint from W110 on	235012	139,99 €
153	Small rep kit rr axle center joint	235282	375,61 €	153	Rear axle tube bushing	235708	114,89 €
						235050	29,63 €

154	Lock washer	235301	2,59 €	155	Cap for grease nipple, red	333048	0,65 €
155	Grease nipple, 45°, M6	235047	0,50 €	156	Grease nipple, M6	235048	0,95 €
157	Hex Bolt on Differential Mounting Strut	235324	17,17 €	158	Shim, 2.2mm thick, repair size	235716	23,42 €
158	Shim, 2.4mm thick, repair size	235718	17,50 €	158	Shim, 2.0mm thick, standard size	235306	16,53 €
159	Shim at ctr bolt rr axle joint	235705	10,00 €	159	Shim at ctr bolt rr axle joint	235305	15,71 €
160	Rubber ring, swing link	235304	3,50 €	161	Sleeve, length 26.0mm (std)	235807	47,30 €
161	Sleeve, length 25.6mm	235656	46,79 €	162	Cotter Pin for Rear Diff Mounting Strut	235810	17,48 €
163	Locking ring	235322	3,09 €	209	galvanized Spring washer M8	233059	0,21 €
209	Bolt 8x22, clutch plate	233064	0,37 €	210	Cross Strut for the Rear Axle W113 -220mm	235722	82,11 €
261	Locking, simplified, Repro, nose outer position	135608	6,68 €	261	Locking, simplified, Repro, nose ctr position	135606	6,68 €

40 Wheels and Propeller Shaft



	Joint disc, 90mm bolt circle	241801	55,93 €		Self locking nut M12 X 1,5	733113	1,93 €
	wheel bolt-set, 20pcs. M12X1,5 X25 cone hub	740801	30,39 €		locking ring at drive shaft early	241862	8,20 €
	Nut, flat style, zined, pedals,kardan.	129073	1,49 €		pls see version 740702	740701	184,45 €
	wheel mounting aid, aluminium, 130mm, M12 X 1,5	740213	14,25 €		hex nut M12 fine, locking, flat shape	741048	0,57 €
	Nut, square, M8, e.g. drive shaft hanger	990998	0,96 €	2	weight 100g old style, fits clamp 240007	240400	1,01 €
2	weight 40g old style, fits clamp 240007	240340	1,01 €	2	steel rim 6 x 14, reproduction	240803	220,15 €
2	weight 50g old style, fits clamp 240007	240350	1,01 €	2	weight 80g old style, fits clamp 240007	240380	1,01 €
2	weight 90g old style, fits clamp	240390	1,01 €	2	weight 120g old style, fits clamp	240420	1,01 €

2	240007 weight 60g old style, fits clamp 240007	240360	1,01 €	2	240007 weight 110g old style, fits clamp 240007	240410	1,01 €
2	Clip, balancer weights	240007	0,60 €	4	Alloy rim Maxilite "Barock" 6x14 ET 30	240808	196,35 €
4	Wheel, alloy,6.5x14 "Baroque" ET30 incl. ABE approval	740702	199,99 €	5	Wheel bolt, steel wheels MB from 1967	240005	1,59 €
6	Wheel bolt+cap,alloy whl.to 85	740005	1,90 €	10	Wheel rim trim, 14", chromed mild steel	240110	114,76 €
10	Ornamental ring 14", chromed	240810	65,45 €	10	"Decorative ring,stainless.14"	240013	47,01 €
11	Spring clip, fits orig. 14" wheel decoration ring	240020	2,88 €	15	spring clip for wheel cover 14" 1968->	240041	3,13 €
16	valve cap, black	740035	0,07 €	16	Valve, tyre, metal, fits Fuchs- Baroque	240033	69,90 €
20	Tire Michelin 185R14 90H TL 25mm whitewall	240039	399,90 €	20	Michelin tyre, 20mm whitewall	240031	415,00 €
20	Michelin tyre, orig. dimens. 185 R14 90H	240030	275,66 €	20	Vinyl covering, spare tyre (horiz- lev)	289889	221,99 €
50	Hardy Rep-set 90mm,look for 24180	241000	201,11 €	51	A1229970087 Valve, pressure release	241024	8,39 €
54	Grease nipple, 45°, M6	235047	0,50 €	55	Centering cross, pitch circle 90, inner diameter:28,6	141030	102,99 €
56	Joint disc, 90mm bolt circle	241001	71,25 €	57	O' ring, star-flange to prop shaft	241013	1,32 €
58	del-t: rbr seal ring @ prop shaft	241807	9,98 €	62	retaining ring for bores 30 X 1,2	241021	0,46 €
63	Bolt, Gear->Hardy90, 190'56->, 230SL	141013	17,73 €	63	Stud bolt, flex disc to prop shaft	141012	15,35 €
65	Washer, prop disc late (d90)	141008	5,46 €	66	lock nut full metal M12 X 1,5 flat type	241113	0,77 €
71	Ball bearing, ctr support prop shaft	141015	9,22 €	72	A1104130051 Spacer ring,driveshaft	241056	34,50 €
74	Grease nipple, M6	235048	0,95 €	77	A1119940043 Lock washer	241062	8,32 €
85	Ball bearing, e.g. prop shaft	241015	10,07 €	86	Bush,rubber,p.scentre bearing	141018	18,65 €
87	galvanized Spring washer M8	233059	0,21 €	87	Bolt 8x22, clutch plate	233064	0,37 €
88	Locking ring, prop shaft bearing, ref.-No. N000472055000	241023	2,80 €	90	Grommet, prop shaft length joint	241812	7,95 €
91	Nut, prop shaft, near ctr. slip joint	741811	32,14 €	95	Cross bearing assy"28", 57->67, grease channel	141822	155,35 €
95	Cross bearing assy"28", 57->67, no grease channel	141022	309,00 €	95	Prop shaft cross FN, 24mm Bushes	241009	9,63 €
96	tabbed lock plate ,driveshaft	241014	8,45 €	98	Nut, rear prop shaft fitting	241048	0,92 €
98	Nut, rear prop shaft fitting	241848	0,92 €	99	Bolt, drive shaft	241049	38,96 €
106	N/A: Cone handle screw, horiz.spare tyre	240818	100,00 €	107	Plate, spare tyre screw	240819	69,62 €
110	Wing screw 230SL FN	240006	42,53 €	111	A3269900740 Washer, wing screw	240009	16,54 €
113	A1158900014 Screwplate with offset lev	240014	240,00 €	115	Washer 6.4 large, yellow zined	299276	0,18 €
115	Spare wheel holder	240015	463,60 €	115	Spring washer, fits M6	181028	0,18 €
115	Screw M6x18 e.g. Filter box 190SL,bonnets, ..	109024	0,38 €	137	Tool bag without tools	258806	48,79 €
137	Wheel nut wrench, orig, latest version	259101	23,50 €	140	Safety wedge f.tyre service	258110	286,20 €
141	Mounting bolt for tyre service, chromed	259809	49,24 €	141	wheel mounting aid, aluminium, 100mm, M12 X 1,5	740210	12,95 €

35.b Info Axle Ratio

35.b Info Axle Ratio

Infotabelle: Hinterachs-Übersetzungen für die Pagode

SLS 2011

Achsgehäuse Zahnradsatz Übersetzung (Kegel : Tellerrad) Drehzahl bei 100Km/h, (in Gang) Einsatz für Länder "Standard" (Europa, ...) Einsatz USA



R113	113 350 0139	1 : 3,75	ca. 3190 (4)	230SL 4-Gg.oder Autm.SERIE	
Trommel-Brems-Hinterachse	111 350 0739	1 : 4,08	ca. 3475 (4) ca. 2950 (5)	230SL Sonderausst. 5-Gang	230SL 4-Gg.oder Autm.SERIE
	SLS 235106	1 : 3,28	ca. 2760 (4)	nachträgliche Umrüstung, Fachbetrieb	



R113 Scheiben-Brems-Hinterachse	108 350 0039	1 : 4,08	ca. 3475 (4)	-	250SL 280SL USA-SERIE ->07.69
			ca. 2950 (5)	250SL Sonderausst. 5-Gang 280SL SA 5-Gang ->11.69	
	111 350 0839	1 : 3,92	ca. 3340 (4)	250SL 4-Gang oder Autm. SERIE 280SL 4-Gg./Autm.->11.67 SERIE	280SL 4-Gg.oder Autm. USA-SERIE 07.69->
			ca. 2830 (5)	280SL 4-Gg./Autm.11.67-> mit SA 10658 "kurze Übersetzung" 280SL SA 5-Gang 11.69->	
112 350 0939	1 : 3,69	ca. 3140 (4)	250SL 4-Gg./Autm.SA "lange Übers." 280SL 4-Gg./Autm.->11.67 mit SA 10659 "lange Übersetzung"		
			280SL 4-Gg./Autm.11.67-> SERIE		
SLS 235105	1 : 3,28	ca. 2760 (4)	nachträgliche Umrüstung, Fachbetrieb		



Beispiel	108 350 0339	1 : 3,46	ca. 2950	z.B. 280/300SE/L 3.5
W108/109"V8"	109 350 0339	1 : 3,27	ca. 2780	z.B. 280/300SE/L 4.5
längere Übers.	109 350 0239	1 : 2,82	ca. 2440	300SE/L 6.3

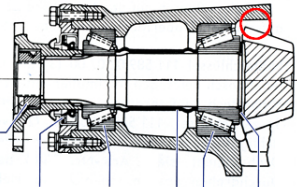
Drehzahlangaben:

gerundet, aus Quelle MB-WHB oder Umrechnungstabellen.
Realwerte weichen ab aufgrund Raddimension, Reifenform,
Schlupf (Autm.), Drehzahl-Messmethode

Kegelrad Lagerung

frühe Ausführung: Quetschhülse (10) in langer Ausführung, Einstellscheiben (12) auf Kegelradwelle.

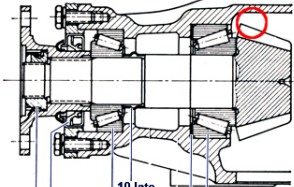
Erkennung von außen: Achse mit Trommelbremse (bei W113)



- 2 Sicherungsblech, Nutmutter
- 5 Abdichtung
- 8 / 8 late Vorderes Kegellager
- 10 / 10 late Quetschhülse
- 11 Hinteres Kegellager
- 12 / 12 late Distanzscheibe(n)

späte Ausführung: Quetschhülse (10 late) in kurzer Ausführung, Einstellscheiben (12 late) am Gehäuse-Lagersatz.

Erkennung von außen: Achse mit Scheibenbremse (bei W113)

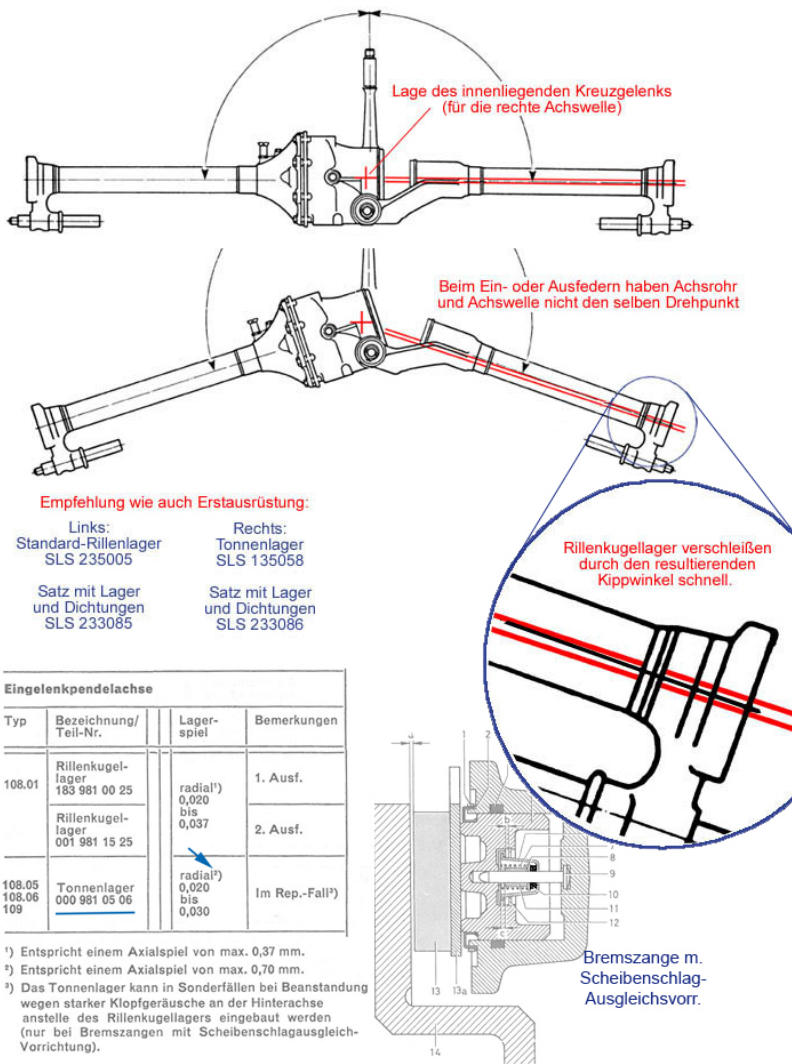


Bei Umbauten zu verlängerten Übersetzungen wächst der Raumbedarf des Kegelrades, während das Tellerrad in Zahnanzahl und Durchmesser kleiner ausfällt. Bauteile für Lagerung + Einstellung in Querrichtung (Differenzial) siehe Tafel 35.a.

2	Washer Lock for Differential Flange Nut	235013	6,68 €	2	Diff Pinion Grooved Nut A1113500166	235714	36,00 €
2	see 235013	235813	5,00 €	5	Seal ring,input shaft	235015	12,98 €
8 late	Bearing, pinion wheel shaft from '68, front	235011	24,35 €	8	Bearing, pinion wheel shaft up to '67	235816	22,51 €
11	Bearing, pinionshaft, rear	235818	35,33 €	12 late	Distance washer 1.5mm at late pinion bearing	235150	14,28 €

35.c Info Axle Bearing rear

35.c Info Axle Bearing rear



135058 Rear axle roller bearing, RT, (drum [135858](#) shape rollers)

67,38 € 233085 Axle shaft brg./seal kit lft.

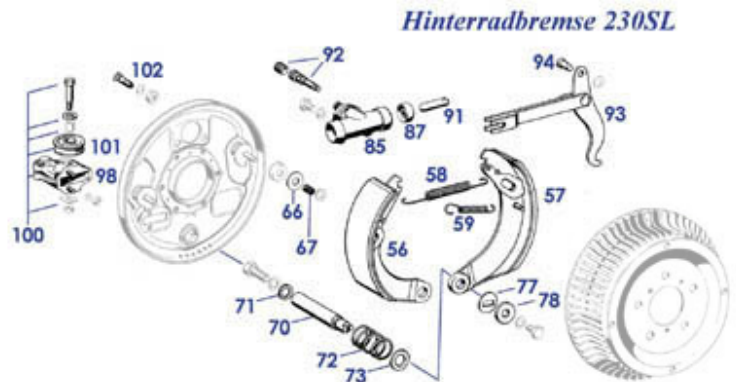
[233085](#)

29,93 €

42 Brakes

42.a Brake (Wheels)

42.a Brake (Wheels)



	plate, brake, rectangular hole, 1.0mm	142410	6,55 €	12	locking plate, caliper frt '66-12'76	242008	6,19 €
13	Bolt, ATE caliper	242012	8,97 €	25	Set brake pads frt. calipers '65-'72,ATE	242030	31,12 €
26	hex nut M12 X 1,5 zinc plated class 10	233046	1,58 €	26	Cover plate frt.LH from 250S/SE/SL	242210	89,25 €
26	Cover plate , 230SL lt., FN	242211	203,00 €	26	Cover plate frt.RH from 250S/SE/SL	242220	89,25 €
26	Cover plate , 230SL rt., FN	242221	203,00 €	30	Fitting kit, brake pads	242081	9,41 €
31	Set of Brake pads front Girling, 230SL** 220SEb**	242831	39,60 €	31	Set of Brake pads front Girling, 230SL** 220SEb**	242031	45,77 €
31	set of brake pads TEXTAR	242731	24,98 €	35	Brake caliper, Lt. 108-113, 115, ATE	242010	476,00 €
35	Brake caliper, Rt. 108-113, 115, ATE	242020	503,47 €	35	Brake caliper, Lt. 108-113, 115,	242810	113,50 €
35	Brake caliper, Rt. 108-113, 115,	242820	113,50 €	38	cover brake pad slot	242083	18,74 €
40	Brake caliper seal kit, 66-72	242815	20,68 €	40	Brake caliper seal kit, fits ATE 66-72	242015	47,60 €
45	Valve, brake cyl bleeder	242001	6,72 €	45	Bleeder valve M8 e.g. ATE early	242000	5,57 €
46	hex. socket head cap screw M6X18, zinc plated	299053	0,22 €	46	hex. socket head cap screw M6X30 zinc plated	299052	0,34 €
46	A1084200028 Brake pipe, Lt.	242003	205,99 €	46	spring lock washer for cheese head screws 6mm, zinc plated	199096	0,08 €
46	A1084200128 Brake pipe, Rt.	242002	205,99 €	56	Set late brake shoes 65mm 4pce (exchange)	142086	305,00 €
57	Set early brake shoes 65mm 4pce (exchange)	142085	305,00 €	58	Spring, fitting190SL from 024160 L/R, +230SL	142810	12,25 €

59	Return spring, brake lever, fits L/R	142820	4,61 €	72	Coil spring @ brake rear, e.g. 230SL ..	242862	8,10 €
73	Washer rr brake, betw.spring and shoes	142909	3,15 €	77	see 142410 (del-t)	142910	10,00 €
78	Washer, rr brake	142911	15,46 €	85	Wheel cylinder rr. 19,05mm ATE 230SL	242070	98,81 €
87	A0004211587 Protect cap,brake cyl	242073	3,57 €	91	Push rod, 1 pce, rr wheel cyl.	242072	11,39 €
92	Bleeder valve cap, brake, steering	143041	2,05 €	92	Bleeder valve (M10 fine), 190brake, Steerg(Pws)	142003	3,94 €
93	Handbrake lever, Rt.	142043	258,65 €	98	Cable spool housing Repro, fits L or R	242845	51,40 €
98	Bolt M6 at rope roll	142156	0,75 €	98	Cable spool housing OE-NOS, L or R	242145	59,50 €
100	Repr. kit,h`brake cable guide	242150	46,56 €	101	Handbrake cable roller	242149	95,37 €
102	screw for brake axis 230 SL	242116	33,44 €	110	Set of ATE rear brake pads 1965-1972 W113-108	242088	26,55 €
110	Satz Bremsbeläge hinten TEXTAR	242888	28,01 €	111	ATE Accessory kit for rear brake pads	242082	6,40 €
112	rr brake cover plate ,Lt. or Rt.	242840	72,32 €	115	Brake Caliper rear LH 250 - 280SL (S/SE: FN) Budweg	242821	273,70 €
115	Brake Caliper rear RH 250 - 280SL (S/SE: FN)	242022	455,87 €	115	Brake Caliper rear LH 250 - 280SL (S/SE: FN)	242021	501,44 €
115	Brake Caliper rear RH 250 - 280SL (S/SE: FN) Budweg	242822	273,70 €	116	Plate , brake, with nuts	242029	32,49 €
117	Locking plate ,caliper	242036	3,92 €	118	Bleeder screw, rear calipers, M7	242011	1,80 €
120	Brake shoes and fitment parts, ATE	242200	32,40 €	120	Brake shoes and fitment parts, FEBI	242700	17,11 €
120	Spring @ brake shoe	842193	0,33 €	122	link, fits new brake rope eye	242855	10,65 €
128	Screw, backplate to axle, 250-280SL	242117	39,98 €	130	Repr. kit, caliper Budweg	242825	14,83 €
130	Repair-kit for rear brake caliper 250-280SL/SE/L	242025	39,82 €	131	Piston 42mm for caliper with no stagger-compensation	242126	46,99 €
131	Piston for ATE caliper "42" A0004232983	242026	45,90 €	133	hex. head screw, ref.-No. N000960012043	242023	1,59 €

42.b Girling brake-caliper

42.b Girling brake-caliper

„Girling“
3-Kolben-Bremssattel,
230SL früh (bis FG ...016643)



Da nicht mehr alle Einzelteile für die "Girling"-Bremse lieferbar sind, kann eine Umrüstung der Vorderrad-Bremse auf "ATE" empfehlenswert sein.

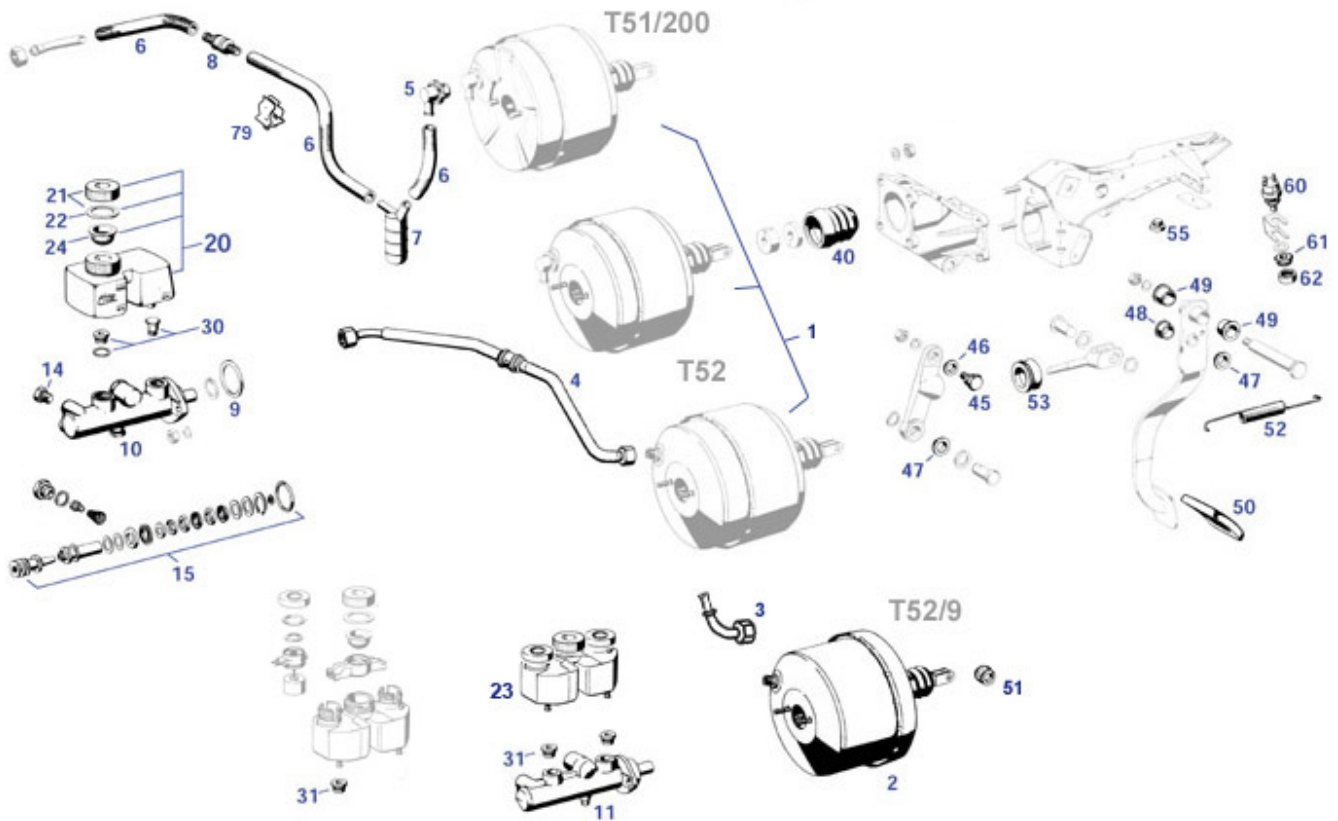


Bremssattel-Reparatursätze beinhalten keine Teile für die Zerlegung der Sattel-Hälften.
 Neben der üblichen Warnung vor Bremsen-Reparaturen durch unautorisiertes Personal, wird insbesondere von der Zerlegung der Sattel-Hälften abgeraten.

2	Set of Brake pads front Girling, 230SL** 220SEb**	242031	45,77 €	2	set of brake pads TEXTAR	242731	24,98 €
2	Set of Brake pads front Girling, 230SL** 220SEb**	242831	39,60 €	8	Repair set, brake caliper	242017	77,35 €
11	Brake cylinder piston,large	242019	68,43 €	12	Piston, Girling-230SL, outer(small)	242013	65,45 €

43 Mastercylinder

These steps of "modernization" of the brake system are also possible at a later date: - Replacement of the early 230SL-HBrZ (2 outlets) with the picture number 10 shown here (230SL with 3 outlets), please note the routing of the cables. (Workshop manual and catalogue image brake lines). - Replacement of the unavailable, early brake boosters in the last (and largest) version T52-9: Installation space and push rod will fit the hydraulic cylinder, but modifications to adjacent parts will need to be made: Pivot bolt pedal lever, bearing block at bellows, vacuum connection.

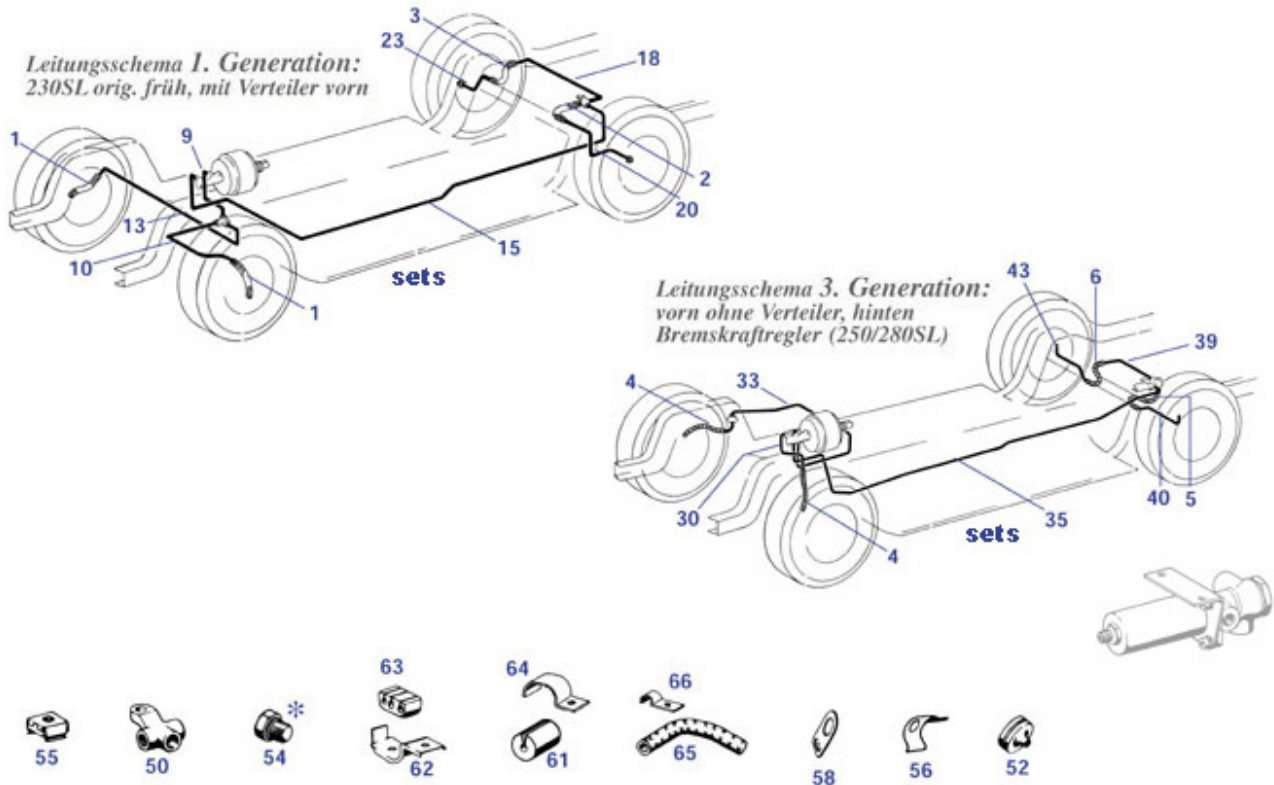


A0004314387 Seal boot	243827	22,00 €		Gasket, sender unit	243004	13,74 €
1m white vac-hose for brake vacuum boot at push rod	943782	14,40 €		Grommet, reservoir to mastercyl, ca '75-8, '85	743029	2,55 €
	243826	20,50 €	1	Brake Booster replacing T51-200 or 0004305530, Repro,	243700	660,45 €
2 Bushing, brake linkage (if Booster new)	729430	5,99 €	2	modified booster support, in exchange	243105	700,90 €
2 Brake Servo T52-9, ATE, ca. '68-'85, div. SL/SE, ...	243030	617,00 €	3	Tube 90° e.g. adapt T52->old hose	243038	13,74 €
6 Hose, wire armed, e.g. brake-vac	943082	19,34 €	8	Check valve, brake vac.	243016	10,85 €
9 Seal ring, servo, front	243017	1,61 €	10	Master cylinder 230SL LHD from '08143	243010	309,40 €
11 Master cylinder 250 - 280 SL, R107 -> '74, brand AIC	243811	103,99 €	11	Master cylinderFN	243012	297,60 €
11 Master cylinderFN	243011	215,26 €	11	Master cylinder 250 - 280 SL, R107 -> '74, brand Textar or	243711	250,82 €
15 Repair kit m.c.FN	243715	14,38 €	15	Repair kit m.c.FN	243015	92,92 €
15 Repair kit m.c.FN	243815	143,97 €	20	reservoir, ca '62-'67 (no floater),reproduction	243705	76,64 €
21 A0004315433 Reservoir cap part of housg. 2-pole male connector	143023	15,55 €	23	Reservoir from '68, fits manual pic	243606	90,18 €
23 reservoir, version similar W123	254087	5,12 €	23	Reservoir12.67->'7.75,replaced!see	243006	289,27 €
	243706	82,11 €	30	Rubber grommet, Mastercyl. up to	243019	2,62 €

30	o-ring seal for master cyl reservoir ->67	243033	3,31 €	30	'67 Fittings kit, master cyl reservoir ->67	243003	50,36 €
31	Rubber grommet, Mastercyl. 11.'67 -> 08.'75	743027	3,02 €	45	Bolt @ booster lever, eccentric	243828	18,75 €
45	Eccentric bolt, brake pedal, repro	243028	24,99 €	47	Bushing, pedal to booster link	229023	22,00 €
50	Rubber pad, brake and clutch pedal, no name	229005	4,71 €	53	Boot,bulkhead,brake push rod	229018	13,01 €
60	brake light swich, 4-pole, see illustration	954019	37,26 €	62	plastic ring, pedal stop @ brake switch	254107	26,18 €

42.c Brakepipes

42.c Brakepipes

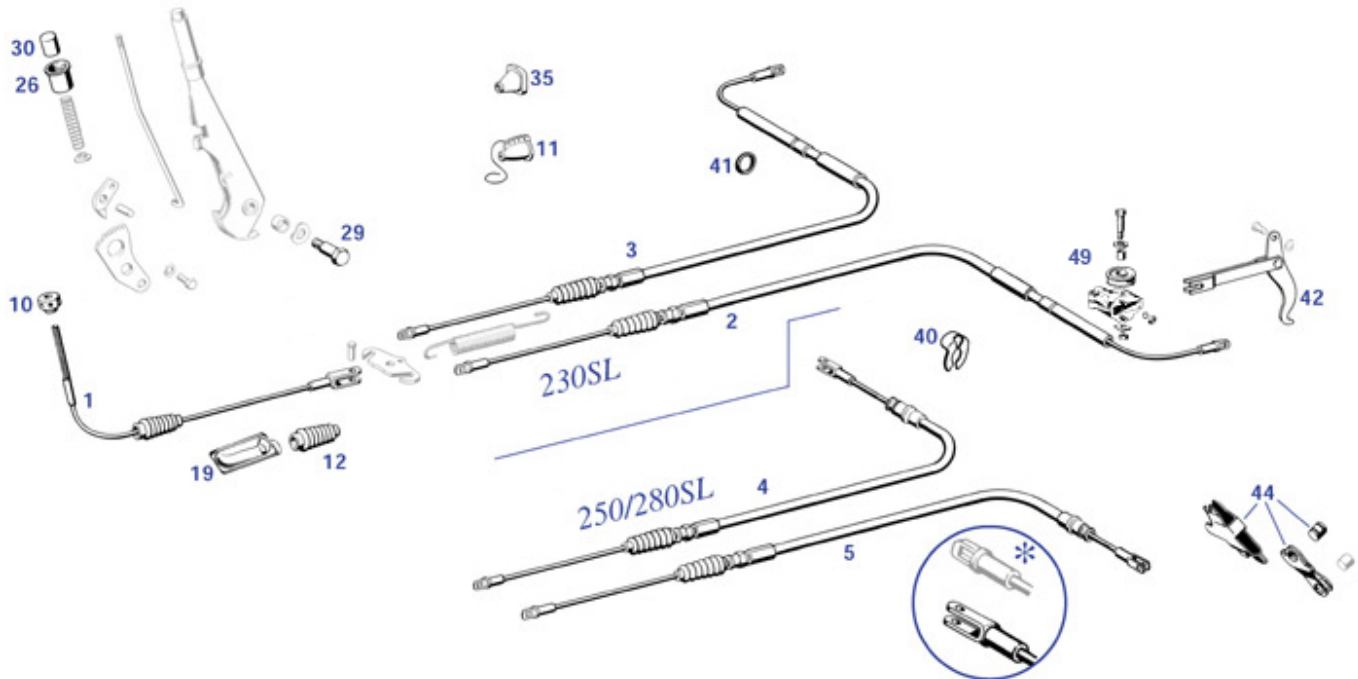


	Sheet metal screw with hexagon 5.5 X 13 galvanized	990102	0,20 €		workshop fitting for 4.75 lines, male thread, hex 11	942966	0,36 €
1	Brake hose, front Lt.or Rt.	242040	30,40 €	2	Brake hose rear left up to model year 1966	143051	31,36 €
3	Brake hose, rr.rh. 220mm, W121,113,111,108...COH	143052	49,99 €	5	Brake hose, rear Lt.	242111	50,99 €
10	Brake line 195mm ;, 230frt Lt.,107 rear	742104	14,28 €	15	Brake pipe master cyl./junction, LHD	742065	36,89 €
18	Brake pipe, rear middle 635mm	242064	15,35 €	20	Brake pipe 525mm: rr ->'67 LH, '67-> RH	242101	14,85 €
23	Brake pipe 430mm: rr LH 190SL+pontoon	142030	5,68 €	30	Brakeline 450mm:R- RH(drumbrke),+frtLH'6	142020	24,89 €
33	Brake pipe, front Rt.,late 165 cm	242067	32,00 €	35	Brake pipe, long, ctre section, 3100mm, 250-280SL	242065	34,50 €
40	Brake pipe, rear ctre or rr.LH, 575mm	242066	7,89 €	50	Verteiler Bremsltg. m.Entl. hi. 57->	242104	311,26 €
50	Distributor, brake lines, 3 conn., no bleeder	142008	16,59 €	52	Rubber grommet 3/18, 121,113,107 and other	199010	1,67 €
55	Cage nut M6, no locking	188835	1,90 €	56	Retaining spring 250-280SL	243058	1,06 €
56	Retaining clamp, brake hose	143036	0,99 €	56	Bracket 250-280SL	243658	1,06 €
58	Lock plate ,brake pipe,front	243057	4,05 €	61	Rubber sleeve	243859	2,38 €

62	3-way Clamp Fuel Pipes, W113 (EU)	247040	2,90 €	62	Clamp, fuel pipes	247049	2,68 €
63	Rubber protect. 2+1 pipes in clamp	247839	7,09 €	64	Clamp, rear floor, fits 6mm wire or pipe	242059	3,71 €
64	Clamp, bulkhead	242058	2,44 €	65	1 m Fuel hose, 4 x 10	247046	4,76 €
66	Clamp 5mm e.g. brake lines	143038	0,50 €	79	Gasket, rear axle brake control	242168	4,30 €

42.d Handbrake

42.d Handbrake

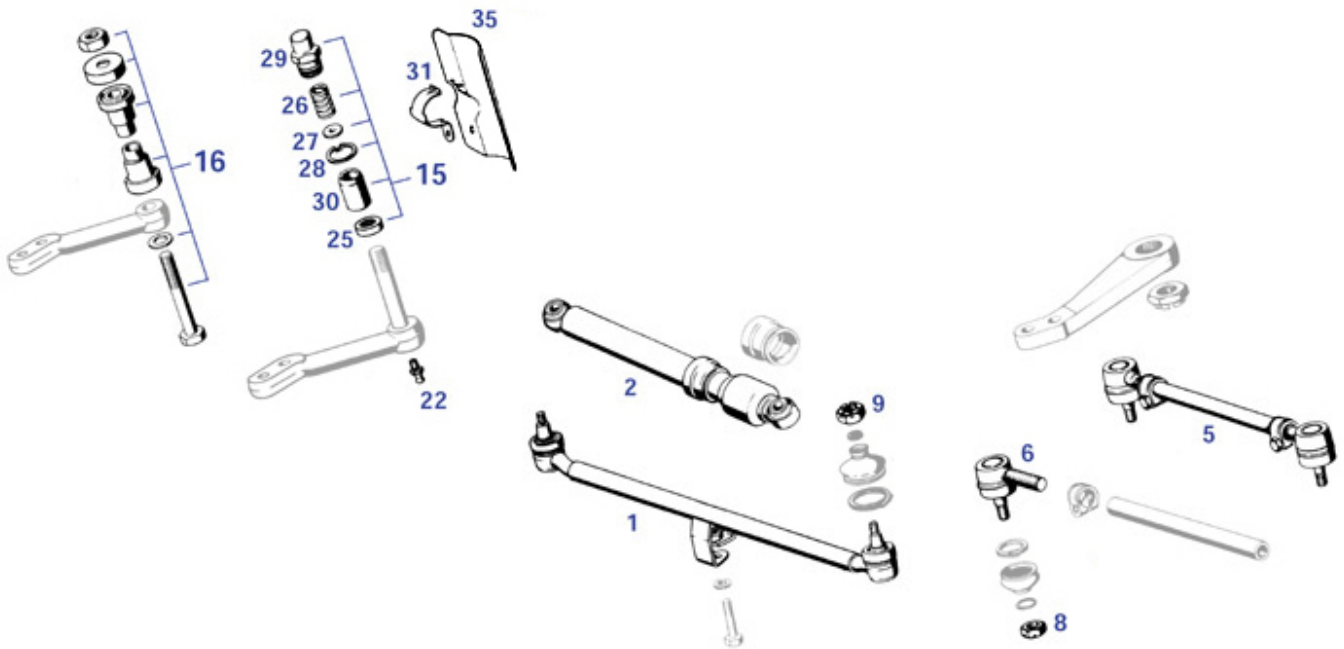


	Spring, hand brake release knob	242875	13,61 €		Coil spring @ brake rear, e.g. 230SL ..	242862	8,10 €
	Brake shoes and fitment parts, FEBI	242700	17,11 €	1	as long as stock lasts! Brake cable, front, 230-280SL	242600	81,99 €
1	Brake cable, front, 230-280SL	242800	95,69 €	2	Parking brake cable 230SL left	242730	95,55 €
3	Parking brake cable 230SL right	242740	95,55 €	4	Brake cable,rr.Rt. 250-280SL	242180	62,90 €
5	Brake cable, rr.Lt. 250-280SL	242170	62,90 €	10	Nut, parking brake adjuster	242897	50,24 €
10	Nut	242097	90,64 €	11	Sleeve,brake cable	342037	27,50 €
12	Bellows, e.g. ctr brake cable	242876	9,39 €	19	Trough, hand brake cable R113	201035	86,08 €
26	Sleeve, hand brake	242079	10,19 €	29	Bolt, hand brake link	242148	28,95 €
30	Push button, black	242078	11,00 €	30	Push button, ivory	242077	46,40 €
35	Rubber grommet brake rear rt late	242838	9,31 €	35	Rubber grommet, brake rear lt late	242837	9,31 €
40	Lock spring washer eg brake wires	242043	2,05 €	41	Set locking shim + O-ring, brake wire R	242844	45,99 €
42	Handbrake lever, Rt.	142043	258,65 €	44	link, fits new brake rope eye	242855	10,65 €
49	Cable spool housing Repro, fits L or R	242845	51,40 €	49	locking plate, brake wire housing	242154	7,08 €
49	Bolt, brake rope @ guide roll	342999	27,10 €	49	Pulley, brake wire, plastic	242151	14,30 €

46 Steering

46.a Steering, Linkage

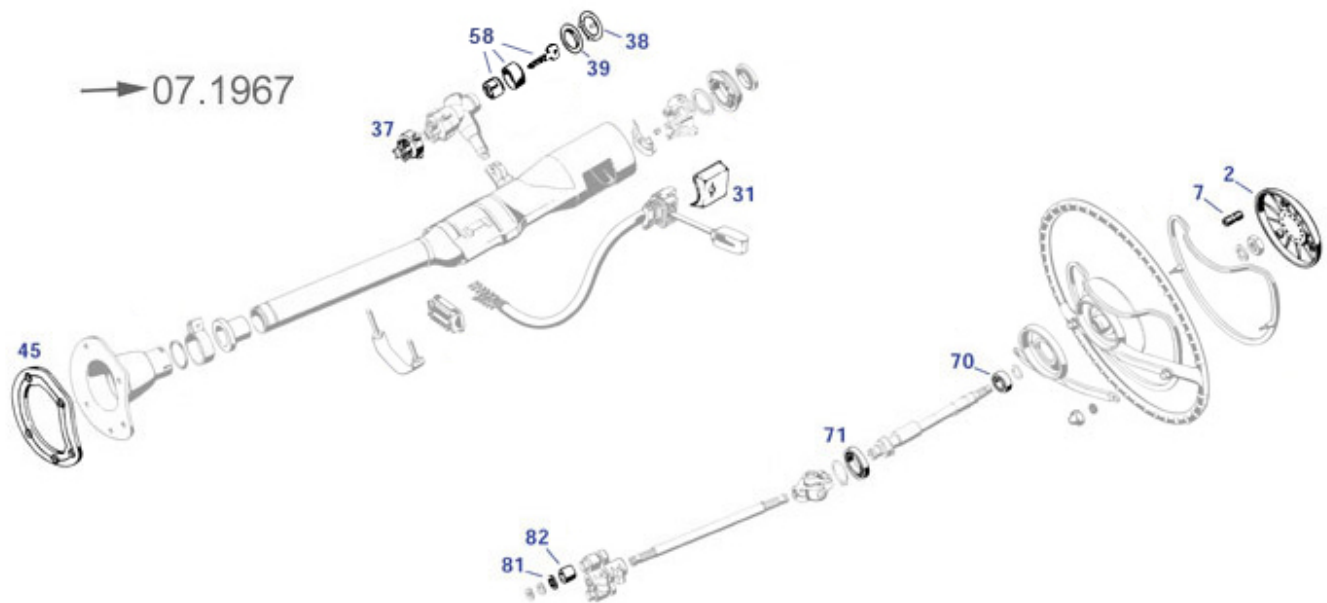
46.a Steering, Linkage



	hex.head screw M10X1X45, e.g. steering damper	233147	0,72 €	1	set steering rod with special screw and washers	246660	38,08 €
2	hex head screw 10.9 zinc plated M10X1X40, eg. steering damper	233146	1,23 €	2	Steering damper	246080	45,09 €
6	Left Tie Rod end -"Febi"	233091	7,25 €	6	Right Tie Rod end -"Febi"	233092	7,25 €
8	Castle nut M10X1, thin shape, early joint	133706	2,45 €	8	hex nut M10 X 1, prevailing torque type, tie rod end	233094	1,51 €
9	Split pin 2,5 x 25, fits crown nuts seering linkage	133007	0,24 €	9	Cotter pin 2,0 x 25, e.g. tie rod nuts	299460	0,12 €
9	Castle nut M10X1, long shape, early joint	133006	2,38 €	16	Steering arm repair kit from '68 FEBI	246062	19,21 €
22	Cap for grease nipple, red	333048	0,65 €	22	Grease nippleFN	233048	0,26 €
25	seal ring with plastic ring insert	246067	9,38 €	25	Seal ring, standard part, steering link ->12.67	246967	6,19 €
26	Thrust spring, steering link ->FN	246068	11,28 €	27	Thrust washerFN	246069	13,99 €
28	Locking tab ring	199005	3,30 €	29	Cap, steering boxFN	246066	29,55 €
30	Idler arm bushing	146023	30,08 €	31	Fixing, shield, steering li	249079	7,89 €
35	Protective plate ,frt well, LHD	249070	175,86 €	35	heat protection, 113LHD up to '68	249065	130,00 €
38	Bolt, M8x35, fits drag links	233199	0,44 €	39	Split pin 5 X 45, eg castle nuts steering	246213	0,43 €

46.b Steering Column up to 07.67

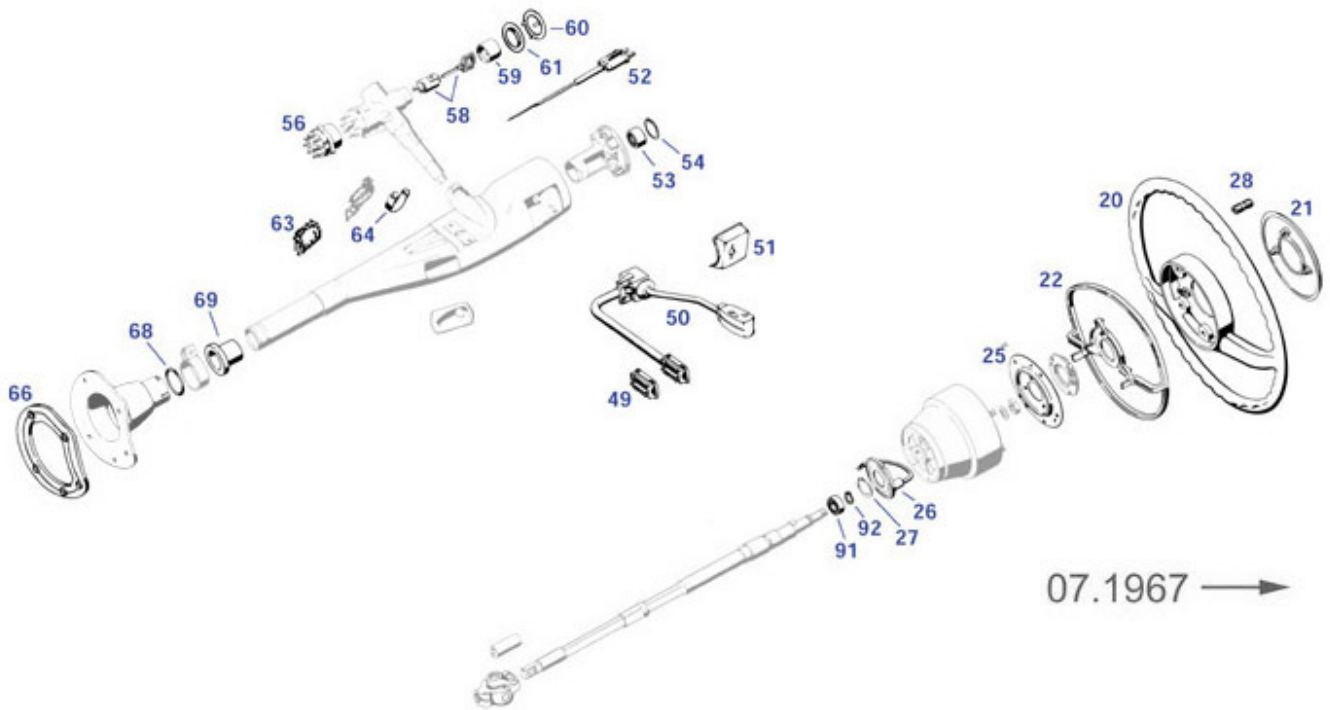
46.b Steering Column up to 07.67



	switch, ign-lock '62-'67 113...	246890	89,25 €		Chrome nut, hub spoke ->'67 horn push	246215	13,09 €
2	base disc for hub pad up to '67, Repro, see pict	246811	162,14 €	30	Switch up to'67, Repro, LHD+RHD	246801	499,80 €
31	Sleeve, steering column->switch arm	246007	29,80 €	34	retaining rings for bores 42 X 1,75	246136	0,60 €
37	switch, ign-lock '62-'67 113...	246090	98,92 €	38	lock escutcheon up to '67, Brass, chromed	268741	14,68 €
38	lock escutcheon up to '67, Alu anodized	268041	7,98 €	39	Rubber pad, dec. ring, ->'67	268042	16,18 €
45	Rubber gasket, 113 LHD steering column @ cabin floor	246708	47,59 €	45	Rubber gasket, 113 LHD steering column @ cabin floor	246808	81,46 €
47	grommet, lower steering tube to spindle	246849	16,99 €	58	Set locking cyl. ign. with chrome cap, fits ->'67	246034	255,85 €
70	ball bearing upper steerg column 20x42x12	246162	5,58 €	71	Bearing in column early types (near cross joint)	246164	15,74 €
72	retaining rings for shafts 20 X 1,2	299498	0,26 €	73	Spring @ horn button, steering column ->'67	246018	38,40 €
82	del.- t. Nylon bushing, Repro, early column	246876	5,52 €	82	del.- t. Nylon bushing, Repro, early column	246876	5,52 €
82	Nylon bushing, coupling,early PU	246776	17,59 €	82	Nylon bushing, coupling,early PU	246776	17,59 €

46.c Steerg. column from 07.67

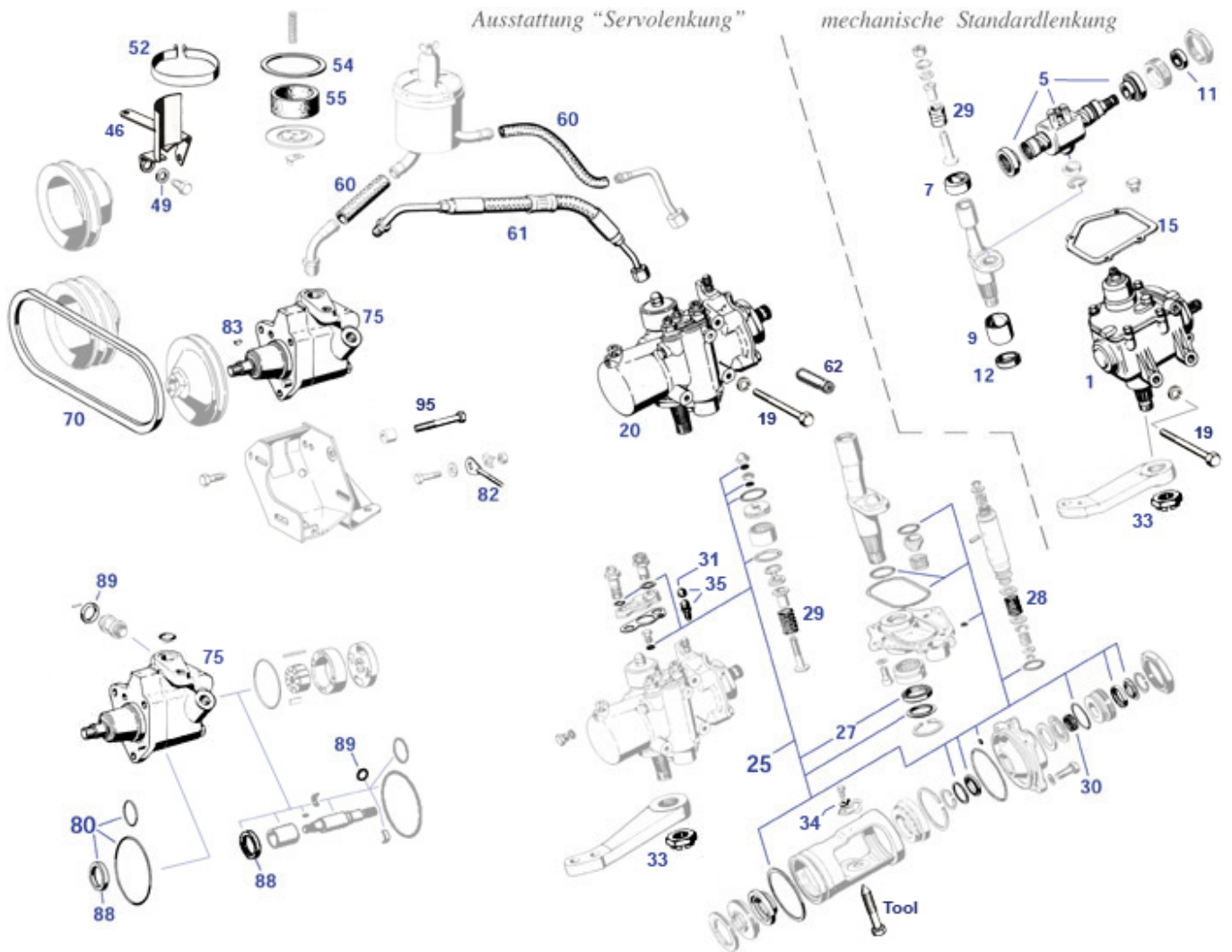
46.c Steerg. column from 07.67



	hex. head screw with UNC thread, for Vickers cast iron pump	246896	3,45 €	21	hard plastic imitation of ctre steering pad	246843	130,28 €
28	Fixing sleeve, s/w. hub pad 67->	246046	1,42 €	50	Switch from '67, Repro, LHD	246802	499,80 €
51	Sleeve, steering column LHD, '67->	246006	28,56 €	53	Needle bearing, steering column from 1967, ref.-No. A0189816110	246163	9,33 €
54	retaining rings for bores 42 X 1,75	246136	0,60 €	56	A1164620093 Switch.ignition ca 67-80	246091	79,99 €
58	Lock cyl. 250/280SL, ign.lo	246854	82,11 €	60	Rest: escutcheon from '67, brass, chromed	268743	14,99 €
61	Rubber ring 1967 -> 07..1979 A1156890097	268044	4,61 €	66	Rubber gasket, 113 LHD steering column @ cabin floor	246708	47,59 €
66	Rubber gasket, 113 LHD steering column @ cabin floor	246808	81,46 €	69	grommet, lower steering tube to spindle	246849	16,99 €

46.d Steering Gearbox, Fluid Pump

46.d Steering Gearbox, Fluid Pump



	hex. head screw with UNC thread, for Vickers cast iron pump	246896	3,45 €	tool	Alignment bolt, steering centering	258460	55,54 €
1	Steering gear, reconditioned, non-servo	246122	1.362,95 €	7	Repair-bushing, upper. steerg box	246084	33,43 €
9	Repair-bushing, lower, steerg box	246085	21,22 €	11	Seal ring e.g. steerg box / gear box	227811	2,44 €
12	Seal ring e.g. steering box lower late	146087	9,47 €	15	Gasket.steering box,upper, man/noP/St	246086	19,30 €
15	Gasket.steering box,upper, man/noP/St	246786	10,71 €	19	Spring washer, u/j bolt	235303	0,42 €
19	Bolt M10 x 105, 10.9, e.g. Steerg @ frame rail	246199	7,21 €	25	Gasket kit pwr steerg, div. 108-113	246805	38,25 €
25	Gasket kit pwr steering 108-113, brand FEBI	246105	37,95 €	25	locking plate	246809	1,38 €
27	Seal ring, power steering, lower	246081	12,50 €	28	Coil spring lower, PWS	246128	16,23 €
29	Coil spring, steering gear lever shaft pressure	246129	16,23 €	30	Needle bearing eg. power steering upper spindle	246126	6,40 €
31	Bleeder valve cap, brake, steering	143041	2,05 €	33	Split pin 5 X 45, eg castle nuts steering	246213	0,43 €
33	Castle nut steerg. box to lever	246219	8,46 €	35	Bleeder valve (M10 fine), 190brake, Steerg(Pws)	142003	3,94 €
46	bracket for servo reservoir	246247	51,48 €	49	alu seal ring M12, eg.eng.block @ chain	298712	0,13 €
52	clamp@bracket for servo reservoir	246248	30,38 €	54	Sealing ring, fluid tank cap	299023	3,68 €
54	Sealing ring, fluid tank cap	299723	2,99 €	55	Filter, pws. fluid tank	299022	29,99 €
58	Spring, PWS balancing tank	299030	7,38 €	60	1m oil hose pws-return line, i.d.15mm	299020	28,75 €
60	Hose clamp 23-31mm, worm thread style	750042	1,09 €	60	Hose clamp 24-32, worm thread style	999889	1,51 €
61	Hose, pump to power steering	299021	129,70 €	61	Hose, hydraulic, PWS, RHD	290099	219,00 €
62	steel tube, steering gear mount @	262131	14,22 €	70	V belt 13 X 750 e.g. PWS-pump	299102	6,19 €

72	frame Pulley,PWS-pump late: conical fit	246121	390,32 €	75	Pump,pwrsteerg, used, sealed, tested, (old part required!)	246500	607,14 €
75	Pump,pwrsteerg, used, sealed, tested, (old part required!)	246100	607,14 €	80	Short gasket kit , pws pump "cyl-shaft"	246104	2,62 €
82	Tensioning bolt, power steering pump	299025	30,64 €	83	woodruff key, pump shaft pws	246116	9,50 €
88	Oil seal, PWS pump VT27	246144	6,14 €	89	O Ring, pressure valve	246145	3,50 €

46.e Special Steering Wheels

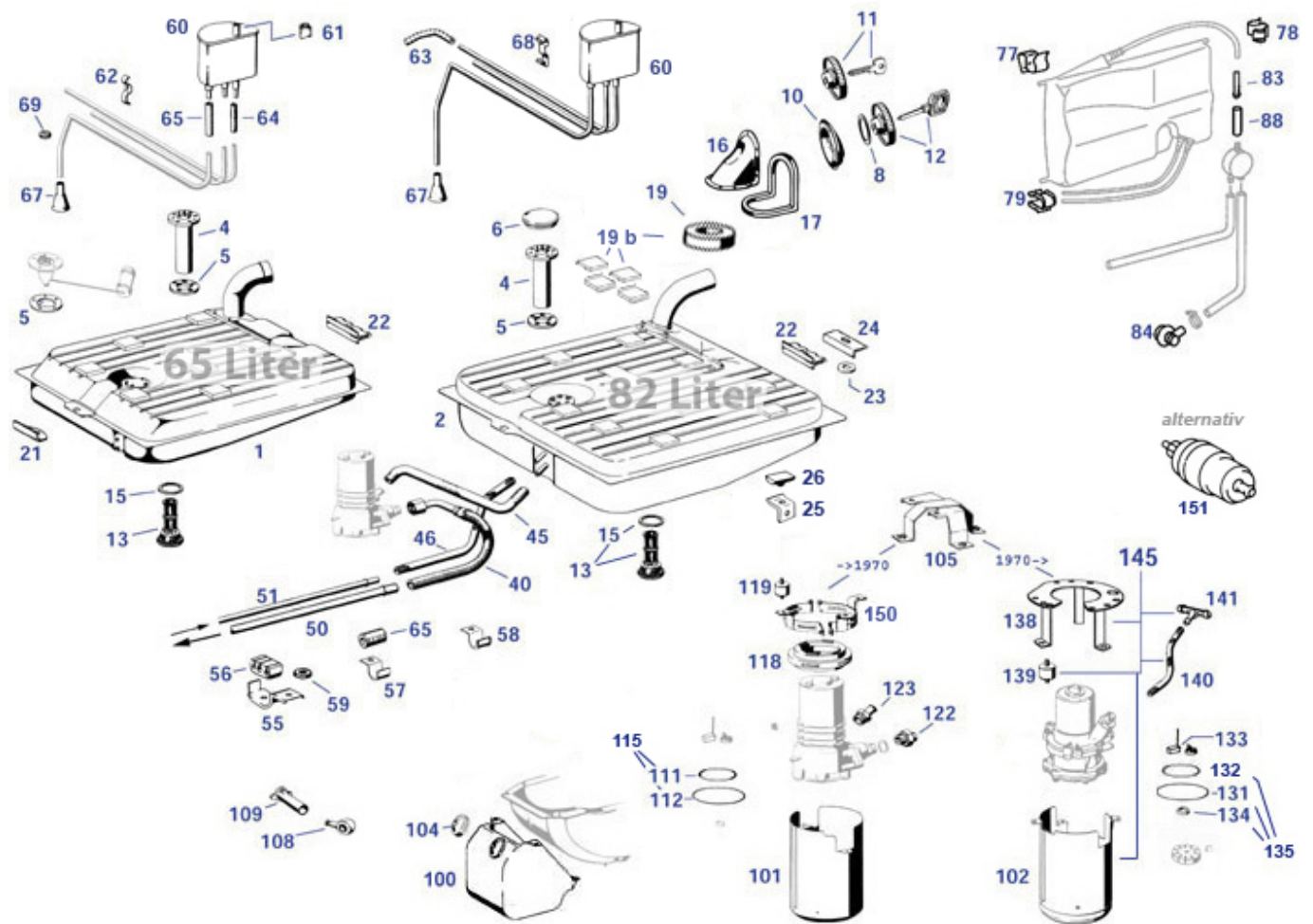
46.e Special Steering Wheels



1	Nardi-Classico, wd/alu 39cm no hub	746010	575,00 €	3	Nardi horn button 1-pole	246023	133,16 €
---	------------------------------------	------------------------	----------	---	--------------------------	------------------------	----------

47 Fuel Tank

47 Fuel Tank

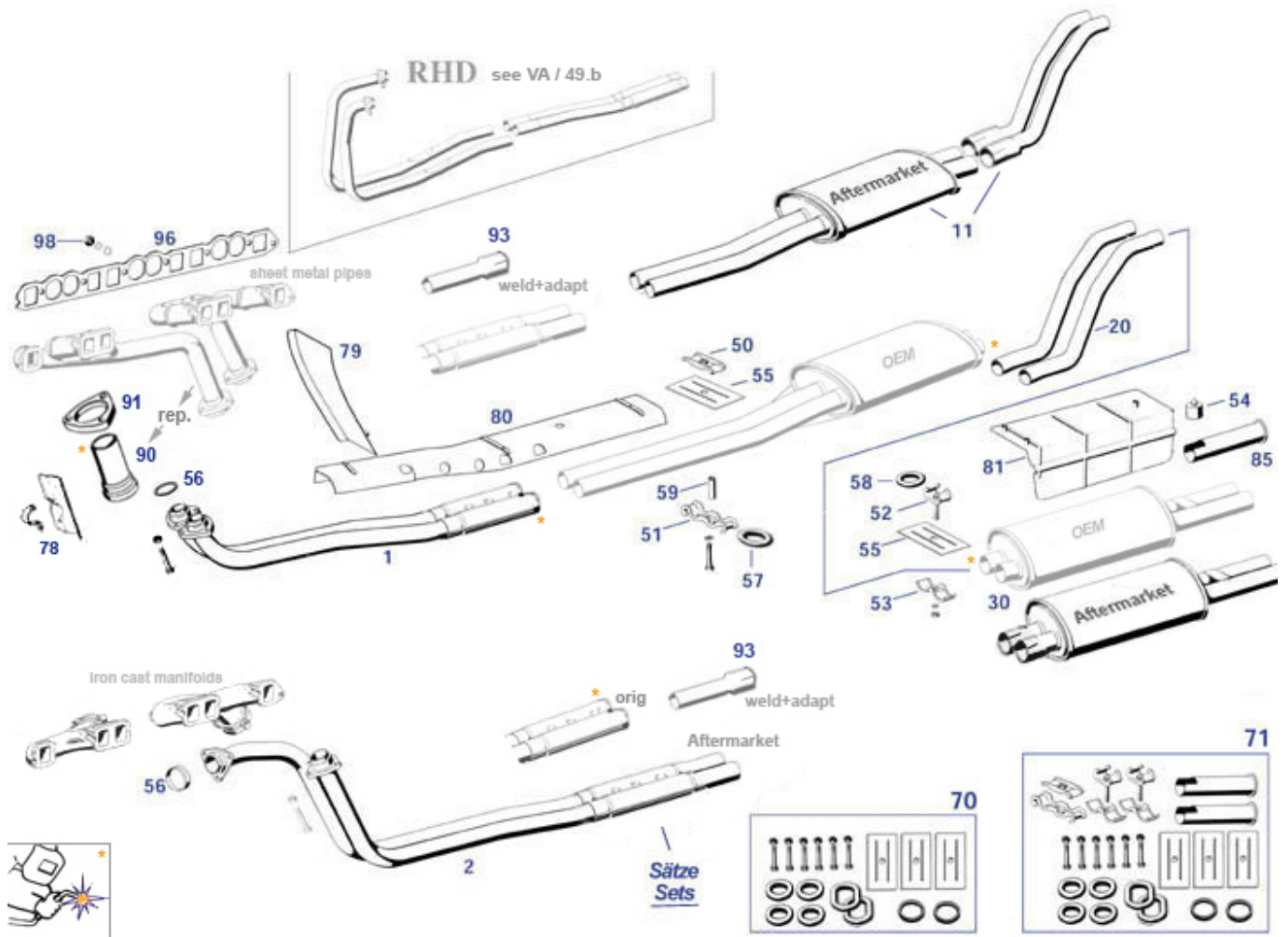


	rubber inlay, for 3 pipes (8 + 8 + 5mm)	247859	5,63 €		Fuelpump 06.76->08.85+300SL	747006	71,61 €
	neoprene 6mm, self-adhesive, 1/sqm	968035	31,50 €		hose clamp 10-16, worm thread style	999888	1,84 €
	Pipe,ff - fp.250-280SL, flexible section	247719	69,00 €		impeller disc, small feeder pump 280SE/SL	247070	118,99 €
2	clamp inlay	747038	1,84 €	1	Damping set, filler neck->boot	247689	31,83 €
	Fuel tank 82ltr, 230SL late 250-280SL	247009	970,50 €	4	fuel sender, 250/280SL, Repro	247606	189,89 €
5	Gasket for fuel sender 1956-1972 A1104710180	147015	1,48 €	6	Cover above fuel sender, plastic,black	347014	7,79 €
6	round cover above fuel sender,Repro	247814	5,20 €	8	Seal ring @ gas cap	247010	2,98 €
10	Grommet for Fuel filler neck	247811	24,10 €	13	threaded plug with filter element	247012	20,35 €
15	Seal ring, tank filter	247013	0,26 €	16	Cover plate, filler neck	269020	31,77 €
17	Edge protection profile mtr, eg trunk	269010	3,80 €	17	16 m sealing compound strip 3mm black	699996	10,59 €
19	Foam sealing ring, filler neck->boot	269030	7,13 €	21	Bracket, fuel tank front	247066	37,08 €
22	Retainer, spring, fuel tank	247062	41,44 €	23	Shim, Exh/Tank support	298776	2,83 €
24	Clamp, fuel tank, rear	247026	5,77 €	26	Rubber buffer	298895	2,63 €
40	Hose,ff.,230SL to vn.013014, W111, ..	247002	44,95 €	40	Hose clamp 15mm	947997	3,09 €
40	Fuel hose, forwards 230-280SL	247031	47,59 €	45	1m Fuel hose tank->pump 11/17mm, fabric	247005	10,41 €
46	1m. Fuel hose 7,5x13,0 flat surface	247007	8,50 €	46	1m fuel hose 7,5x12,5 fabric surface	247807	7,13 €
50	Fuelfeedline230-280SL	247032	115,00 €	51	Return fuel line about 300 cm	247027	101,95 €
55	Clamp, fuel pipes	247049	2,68 €	55	3-way Clamp Fuel Pipes, W113 (EU)	247040	2,90 €

55	Clamping Bolt M6 for square bodypanel holes	188036	7,90 €	56	Rubber protect. 2+1 pipes in clamp	247839	7,09 €
57	Clamp,pipe,front, outrigger	247052	5,94 €	58	Clamp,pipe,under body,rear	247053	7,69 €
59	rubber washer fits M6	299081	1,19 €	60	expansion reservoir for fuel tank ventilation	247868	140,00 €
62	Washer 6.4 large, yellow zined	299276	0,18 €	62	Clamp, expansion tank 6mm/9mm	247069	9,70 €
64	1 m Fuel hose, 4 x 10	247046	4,76 €	65	Hose, 8,5/15mm, 1 metre	247050	12,60 €
67	Sleeve, tank ventilation	247079	7,95 €	68	Clip,tank ventilating pipe	247055	17,30 €
69	Grommet, 4,5/10mm, cable@wheelarch	182005	2,53 €	78	Clip, cable	254073	1,09 €
84	Grommet, tank vent pipe through carbody	147070	6,52 €	88	1m Fuel hose 5,5mm e.g. 107-fuel vent.	247847	3,92 €
100	Pump case,f.230SL w.spare tyre well	247060	230,21 €	101	Hood,fuel pump, mid.generation	247061	226,43 €
101	Hood,fuel pump, mid.generation	247861	202,29 €	102	Case,fuel pump after '70 or new pump	247821	175,00 €
104	Rubber grommet	299005	2,59 €	105	Upper bracket ref 1134700081, needs work	247080	67,00 €
105	N/A upper bracket late, try 247080	247081	109,24 €	108	Ring eyelet, crimp, uninsulated, high-temp. MS sn, ID4.2	997989	0,51 €
108	Ring eyelet, crimp, uninsulated, high-temp. MS sn, ID5.3	997988	0,33 €	112	Seal ring,lower,early	247037	4,55 €
115	Sealkit for early fuel pump (W108-113)	247100	49,99 €	118	Ring, early fuel pump rubber mount	247033	47,10 €
119	Rubber mount, e.g. Fuel pump, Air box	247828	1,56 €	130	Grommet for Fuel Pump Wiring	299018	2,53 €
131	Seal ring, late style pump, @lowr housg	247041	3,74 €	132	Sealing ring, late pump, upper	247044	4,17 €
133	carbon brush, small pump	254867	18,99 €	134	Seal ring in late style fuel pump, inne	247048	2,73 €
134	Seal ring small, late pump, 3x req.	247057	2,05 €	134	Alu ring 22mm	199924	0,60 €
134	Copper ring fits M4 screws	247051	0,43 €	138	Mount, fuel pump,late	247022	46,67 €
139	Rubber buffer,fuel pump,late	247023	4,74 €	139	Rubber mount e.g. small fuel pump	247823	3,90 €
141	T-connector, fuel hoses	247015	4,76 €	150	Bracket for early fuel pump 90mm	247635	89,90 €
150	Clamp,early ,first half	247035	122,71 €	150	Clamp,early ,second half	247036	127,90 €
151	el. fuel feed pump, usable for W113	547001	114,50 €	151	1m Fuel Hose 14/22mm	747029	37,28 €

49 Exhaust Systems

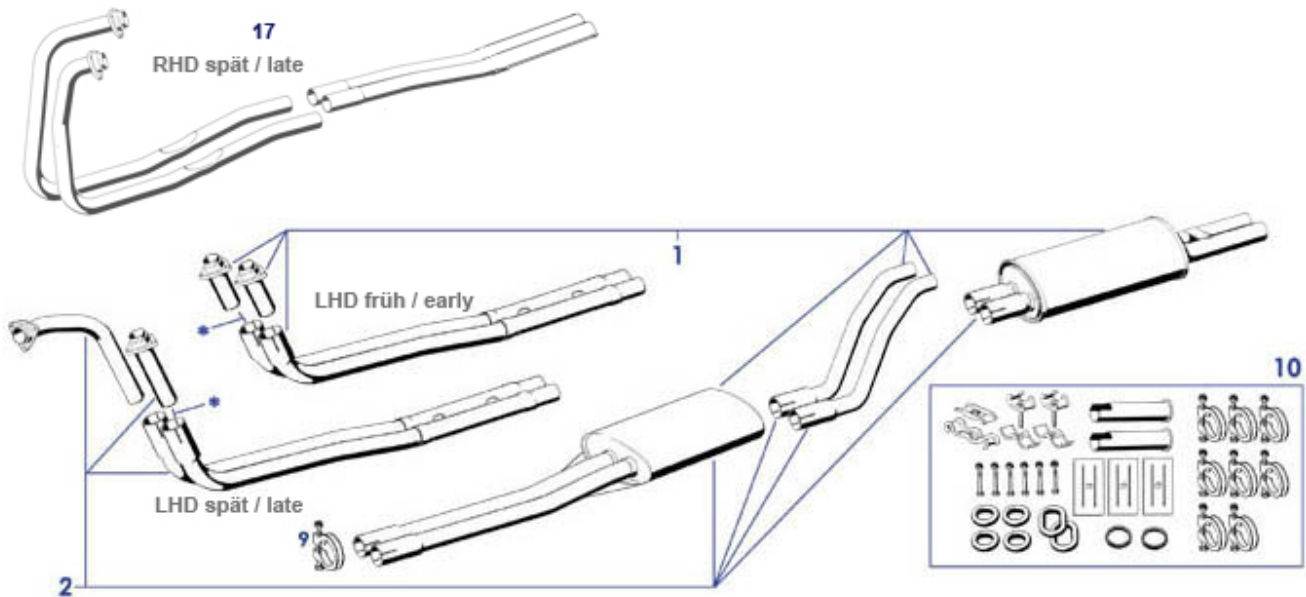
49.a Exhaust System, standard



	Clamp, rear, upper, steel, zincd	249714	9,70 €	1	Conn-pipe + reducer adapts welded front	249801	18,22 €
1	Front pipe 230LHD early, steel, coated, design as original	249001	239,67 €	2	Front pipe LHD '66->, steel, fits 949017	249800	349,21 €
2	Front pipe LHD '66->, steel, weld-fit sleeve clamp 40-44mm, fits 249800	249000 949017	240,50 €	11	Center Silencer 3-pcs, aftermarket	249808	199,99 €
11	Front pipe LHD '66->, steel, weld-fit	249000	10,50 €	20	Conn. pipe rear, steel, weld-system	249020	40,01 €
30	Rear silencer, zn-al-plated, R113	249032	158,20 €	50	Exh.-bracket, centre upper	249013	9,89 €
51	Clamp, middle, lower	249012	9,14 €	52	Spacer sleeve (e.g. exhaust bracket)	849819	3,76 €
52	Clamp, rear, upper	249014	13,78 €	53	Clamp, rear, lower	249011	6,75 €
54	Rubber buffer, exhaust	798747	0,92 €	54	Rubber buffer, floor/exhaust, others...	249818	4,68 €
55	Insulating plate	249015	8,62 €	56	Sealing ring, exhaust manif.	249060	2,37 €
57	Rubber ring, universal, exhaust, 69x45x1	549016	2,65 €	58	inner diameter 30, rubberstring 15	249019	1,90 €
59	Spacer for Exhaust Hanger Bracket	249847	3,99 €	78	heat protection, 113LHD up to '68	249065	130,00 €
78	Fixing, shield, steering li	249079	7,89 €	79	Protective plate ,frt well, LHD	249070	175,86 €
80	Tapping screw Phillips 4,2x9,5	799936	0,15 €	80	Front Heat Shield for Exhaust Pipes, centre section	249080	227,24 €
80	Panelling screw 4,8 x 13	799933	0,32 €	81	Heat prot.shield, rr.silencer	249085	118,70 €
85	Tail pipe, chrome	249733	22,85 €	85	Tail pipe, chrome, Premium quality	249033	31,57 €
90	Rep.-section, tube, fits early 230-mani	214818	113,05 €	91	Flange	249044	42,48 €
96	Gasket Intake/Exhaust M127-130, ELRING	249990	14,54 €	96	Manifold Gasket M127-130 "REINZ"	249090	14,40 €
98	Washer 2mm, thick, exh-manif, bumpers .	214008	0,56 €	98	Nut, M10, exh manifold	114008	1,25 €

214100	Exhaust manifold for late W113 (used) Cylinder 1-3	214101	512,89 €	214100	Exhaust manifold for late W113 (used) Cylinder 4-6	214100	1.190,00 €
249048	Screw M8x55 exhaust bracket	249048	0,96 €	249049	Bolt M8x50, e.g. exh front pipe flange	249049	1,26 €

49.b Stainless Steel Exhaust 230SL 250SL 280SL

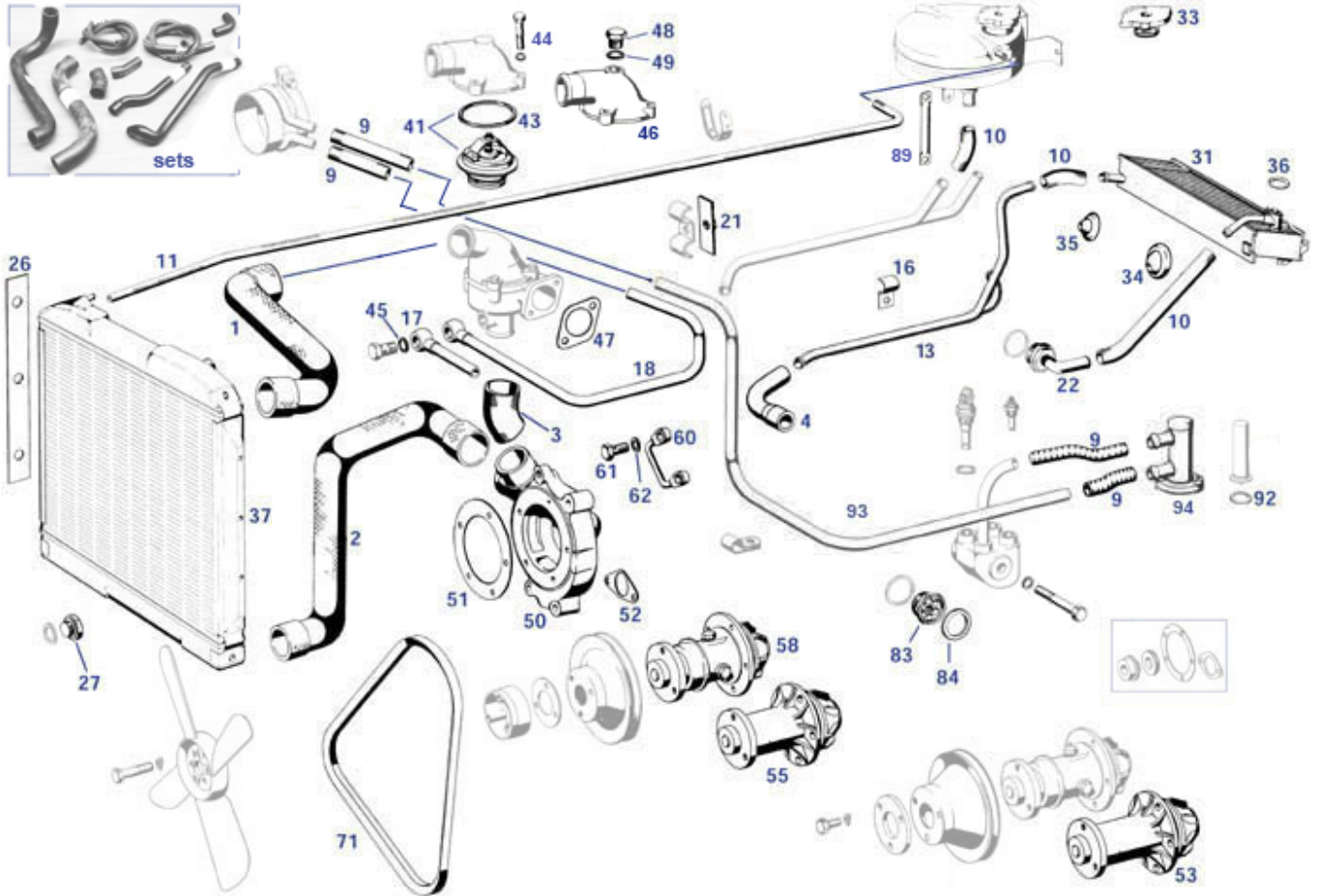


9	HD clamp 45mm 3D-shape zinc steel	249017	6,55 €	9	Clamp 45mm, shape see picture	249817	3,34 €
17	sleeve clamp 40-44mm, fits 249800	949017	10,50 €	249031	Stainl steel rear muffler 113	249031	389,00 €

50 Cooling System

50.a Cooling System 230SL

50.a Cooling System 230SL

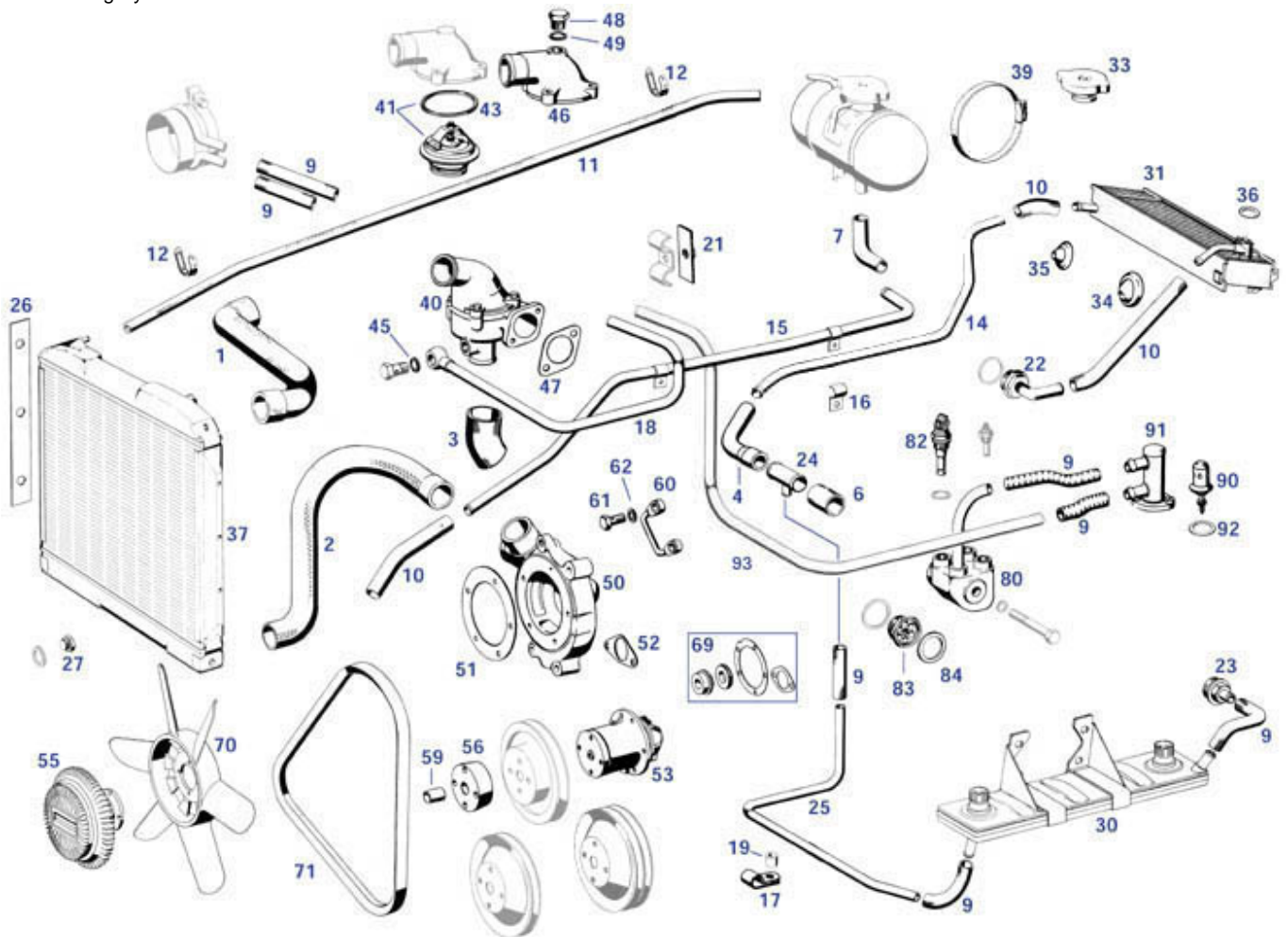


	bolt M8 / hex 10, pump->fan (veh w.distancer) L40	220046	7,14 €	1	Hose,radiator,top	250012	27,05 €
1	Hose clamp 46-54mm	750346	1,08 €	2	Hose, radiator lower, 230SL up to 08.'64	250024	21,60 €
2	Hose,radiator,bottom,late FN	250014	34,00 €	3	Hoseclamp 31 to 44mm	250046	1,05 €
3	Hose,waterpump/thermostat	250004	10,00 €	4	Water hose heater return, diam. reduce	250028	20,94 €
4	CL hose, bent w. reducer, e.g.returnlin	250808	6,38 €	4	Hose clamp 23-31mm, worm thread style	750042	1,09 €
9	1m cooling water hose 12/19mm	250823	7,14 €	10	Water hose, i/D 18mm per metre	250019	19,10 €
11	Water hose, 8/15mm per metre	250016	24,50 €	12	Hose strap, replaces hose clamp	250099	0,55 €
13	Water pipe w junction, 230SL LHD	283083	187,53 €	16	Clamp, rad.water return pipe	250098	2,78 €
16	Clamp, rad.water return pipe	250898	1,19 €	17	A1272000452 Pipe, thermostat to fuel in	220070	229,50 €
18	N/A ! Pipe,t'stat to cold start	220071	44,03 €	22	Elbow, hot water head to heater	220819	115,05 €
27	see 207115 Copper shim	799309	1,06 €	31	We would be happy to advice you	283818	638,90 €
33	Cap, cooling liquid "ID 100", W121&113	150017	29,75 €	34	Heater radiator overh. used	299003	3,55 €
35	Rubber grommet, return	299004	0,50 €	36	Rubber grommet, inlet	299003	3,55 €
37	We would be happy to advice you	250201	950,80 €	37	Sealing ring, heater valve	283022	2,31 €
41	Radiator,overhauled,automatic	220009	16,21 €	41	We would be happy to advice you	250200	654,50 €
43	Thermostat cartridge/gkt. 83°	220016	1,31 €	44	Radiator,overhauled>manual	220008	19,58 €
44	Seal ring	220017	0,29 €	45	Thermostat cartridge/gkt. 79°	220018	0,71 €
44	Bolt M6, yellow zincd, thermo.housing	220017	0,29 €	45	Hex bolt w. slot M6, thermostat housin	220013	0,17 €
46	Cap, thermostat housing, latest design (w.extra-hole)	220834	46,99 €	47	Seal ring 16x20, copper, e.g. hollow bolts	120011	1,32 €
					Gasket, thermostate		

48	Drain plug screw M14 x 1,5 (rad. / eng,..)	250027	2,70 €	49	Seal ring 14mm Alu	207186	1,08 €
50	Housing, water pump M108-M130	220804	83,30 €	51	Gasket, water pump	220006	4,28 €
51	Screw M6 e.g. Bonnet hinges	299289	0,38 €	52	Gasket, housing to engine	220014	1,25 €
53	Water pump, 3 hole, maintenance-free	420020	103,59 €	55	Water pump, L=75mm, 3-hole, non service	220020	99,96 €
60	Pipe,water air venting	220005	27,39 €	61	Hollow screw, air venting	220010	2,48 €
62	Sealing ring ID8, eg. for hollow screw	220011	0,10 €	71	V belt 10 X 875 eg. 230SL Alternator	299106	4,75 €
83	Fitting, engine to water distributor M127, 129, 130E	220091	31,19 €	89	Support rod, early reservoir 230SL	250039	38,38 €
92	Sealing ring	207149	0,88 €	93	Water pipe, throttle housing to inj-thermostate	220051	119,61 €
93	Bracket, pipe bundle and eng.hangup	220074	26,60 €	94	Housing only, 230SL inj. thermostate	207156	199,54 €
145	Hollow screw,early M16X1,5	220012	5,89 €	120033	sealing ring copper 32	120033	1,31 €
220098	Hex.head screw 8.8 M8 X 80 zinc plated	220098	0,57 €	220118	sealing ring, aluminium 30mm	215032	0,81 €

50.b Cooling System 250SL

50.b Cooling System 250SL

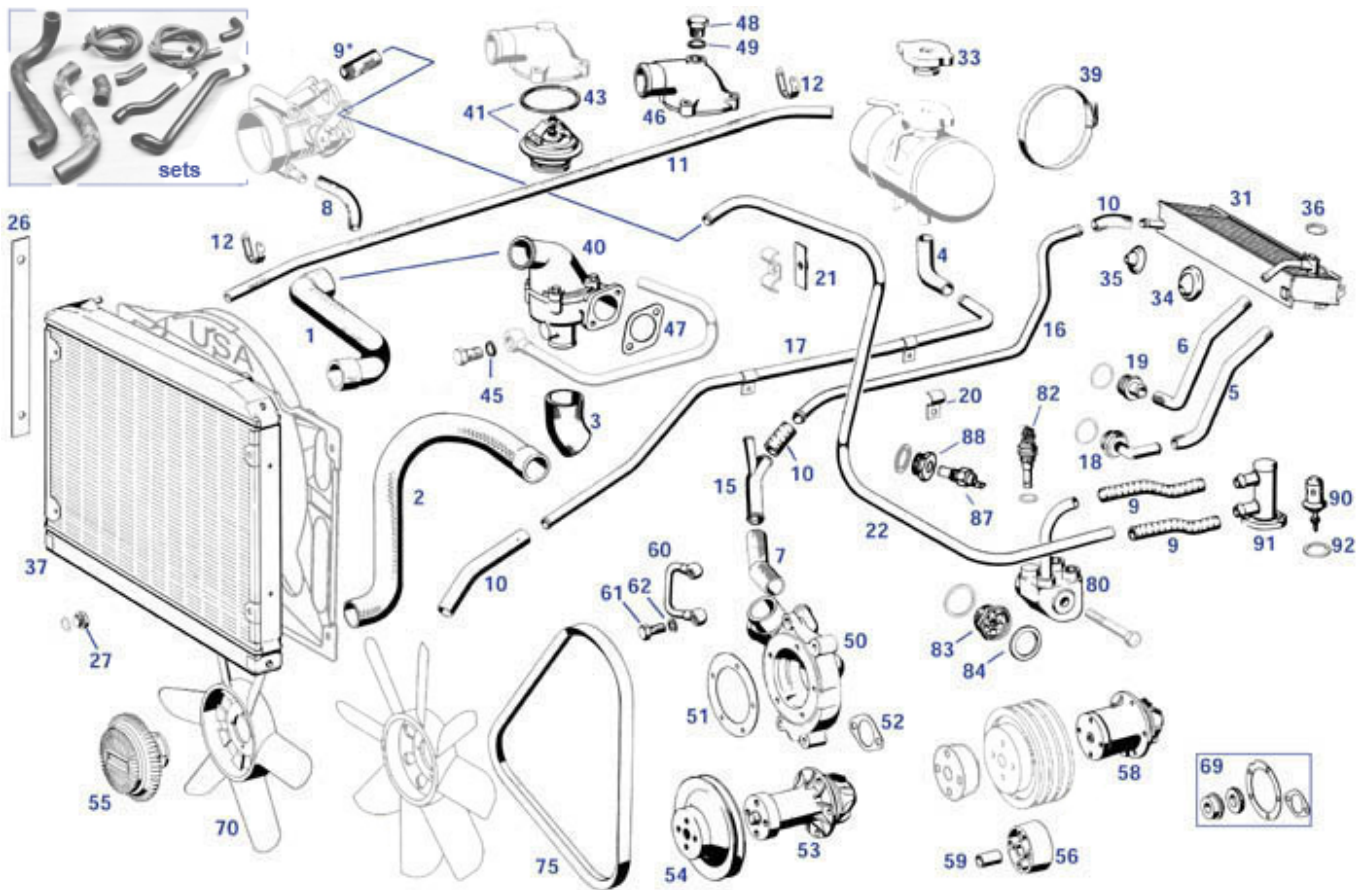


	Radiator, new 250 SL - LHD, ALU-REPRO	250110	670,89 €	1	Hose,radiator,top	250012	27,05 €
1	Hose clamp 46-54mm	750346	1,08 €	2	Hose, radiator, lower, 250/280SL	250015	36,79 €
3	Hoseclamp 31 to 44mm	250046	1,05 €	3	Hose,waterpump/thermostat	250004	10,00 €
4	CL hose, bent w. reducer, e.g.returnlin	250808	6,38 €	4	Water hose heater return, diam. reduce	250028	20,94 €
7	Elbow, comp. tank to radiator	250018	22,00 €	9	1m cooling water hose 12/19mm	250823	7,14 €
10	Water hose, i/D 18mm per metre	250019	19,10 €	11	Water hose, 8/15mm per metre	250016	24,50 €
12	Hose strap, replaces hose clamp	250099	0,55 €	14	Return pipe, version see photo	283085	84,35 €

15	Pipe, comp. tank to radiator	250003	176,19 €	16	Clamp, rad.water return pipe	250898	1,19 €
16	Clamp, rad.water return pipe	250098	2,78 €	17	Bracket clamp, warmup air pipe, waterp.	220087	2,84 €
18	N/A ! Pipe,t'stat to cold start	220071	44,03 €	22	Elbow, hot water head to heater	220819	115,05 €
23	A1272000456 Fitting, oil heat exchanger	201006	42,84 €	24	T-connector, water to oil-cooler	220082	62,67 €
27	see 207115 Copper shim	799309	1,06 €	31	We would be happy to advice you	283818	638,90 €
33	Cap, cooling liquid "ID 100", W121&113	150017	29,75 €	34	Heater radiator overh. used	299003	3,55 €
35	Rubber grommet, return	299004	0,50 €	36	Rubber grommet, inlet	299003	3,55 €
37	We would be happy to advice you	250201	950,80 €	37	Sealing ring, heater valve	283022	2,31 €
37	Radiator,overhauled,automatic	250200	654,50 €	39	Radiator, new 250 SL - LHD	250010	869,00 €
37	We would be happy to advice you	250200	654,50 €	39	Clamp e.g. Water reservoir late	999996	4,64 €
41	Radiator,overhauled>manual	250200	654,50 €	41	Thermostat cartridge/gkt. 79°	220008	19,58 €
41	Thermostat cartridge/gkt. 83°	220009	16,21 €	41	Thermostat cartridge/gkt. 79°	220008	19,58 €
43	Seal ring	220016	1,31 €	45	Seal ring 16x20, copper, e.g. hollow	220013	0,17 €
46	Hex bolt w. slot M6, thermostate housin	220018	0,71 €	46	bolts	220017	0,29 €
46	Cap, thermostat housing, latest design (w.extra-hole)	220834	46,99 €	47	Bolt M6, yellow zined, thermo.housing	120011	1,32 €
48	Drain plug screw M14 x 1,5 (rad. / eng,...)	250027	2,70 €	49	Gasket, thermostate	120011	1,32 €
50	Housing, water pump M108-M130	220804	83,30 €	51	Seal ring 14mm Alu	207186	1,08 €
51	Gasket, water pump	220006	4,28 €	52	Screw M6 e.g. Bonnet hinges	299289	0,38 €
53	Water pump 90mm, most 280 (113 108 107)	220025	38,52 €	53	Gasket, housing to engine	220014	1,25 €
53	Water pump M129 div., M130A/C, 127-Visco	220003	65,27 €	53	Waterpump M129, M130 A/C, M129 Visco	220803	87,35 €
55	Visco fan coupling, M129,130E,110, FEBI	220530	147,25 €	55	Water pump M129 div., M130A/C, 127-Visco	220903	77,28 €
55	Visco fan coupling, M129,130E,110, Meyle	220030	93,19 €	55	Bolt M8 x 15 hex 10, fan pulley to water pump	220049	5,97 €
55	bolt M8 / hex 10, pump->fan (veh w.distancer) L40	220046	7,14 €	60	Visco fan coupling, M129,130E,110, DASIS	220630	129,89 €
61	Hollow screw, air venting	220010	2,48 €	62	Pipe,water air venting	220005	27,39 €
71	V belt 10 x 925 eg. 250SL LHD series	299107	3,69 €	71	Sealing ring ID8, eg. for hollow screw	220011	0,10 €
83	Fitting, engine to water distributor M127, 129, 130E	220091	31,19 €	90	V belt 10 X 913	799115	6,10 €
91	Housing,Thermo,inj.,250-280SL	207122	210,94 €	92	Thermostat,inj.,'67->, incl. steel seal	207121	182,62 €
93	Bracket, pipe bundle and eng.hangup	220074	26,60 €	93	Ring, seat, fits thermostate 207121	207151	35,99 €
145	Hollow screw,early M16X1,5	220012	5,89 €	120033	Water pipe, throttle housing to inj-thermostate	220051	119,61 €
220098	Hex.head screw 8.8 M8 X 80 zinc plated	220098	0,57 €	220118	sealing ring copper 32	120033	1,31 €
					Seal ring, copper , id 30	220118	1,05 €

50.c Cooling System 280SL

50.c Cooling System 280SL



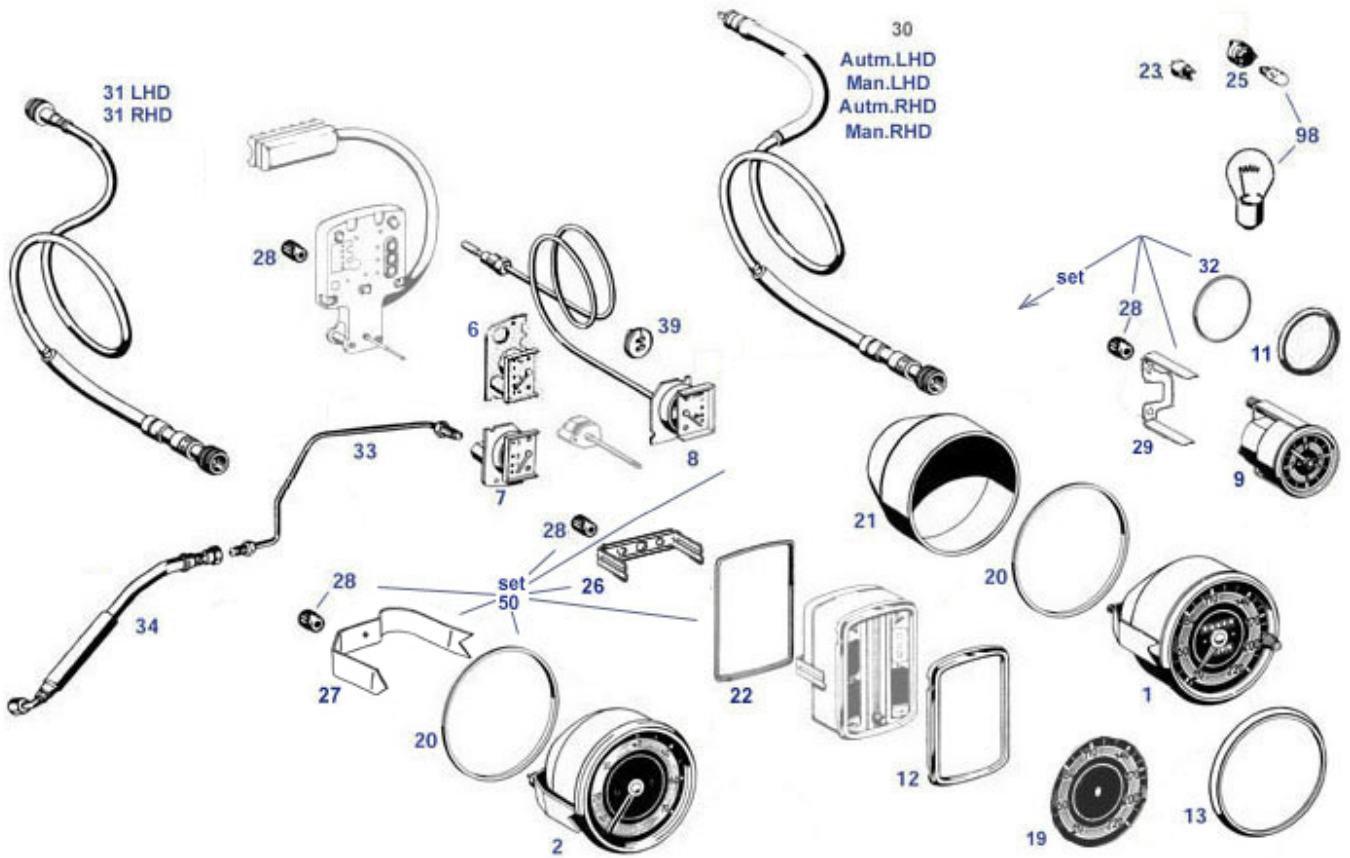
	Temperature switch 100° e.g. A/C fan, FEBI	207963	8,50 €	clamp	Mounting clamp, fan shroud if used	250219	58,88 €
1	Hose clamp 46-54mm	750346	1,08 €	1	Hose,radiator,top	250012	27,05 €
2	Hose, radiator, lower, 250/280SL	250015	36,79 €	3	Hoseclamp 31 to 44mm	250046	1,05 €
3	Hose,waterpump/thermostat	250004	10,00 €	4	Elbow, comp. tank to radiator	250018	22,00 €
5	CL hose, heater, 1x / 2x	250825	20,23 €	6	CL hose, heater (feed), from 3/70	250822	20,23 €
7	Water hose .044 htr ret-pipe to pump FN	250809	6,57 €	7	Heater return hose, S-shape w.reducer	250806	13,01 €
7	Water hose heater return, diam. reduce	250028	20,94 €	7	Hose clamp 23-31mm, worm thread style	750042	1,09 €
8	Hose,dist./cold start sys./Fluid reserv	250021	5,95 €	9	1m cooling water hose 12/19mm	250823	7,14 €
10	CL hose, bent, no reducer, heater retur	250829	26,03 €	10	Water hose, i/D 18mm per metre	250019	19,10 €
11	Water hose, 8/15mm per metre	250016	24,50 €	12	Hose strap, replaces hose clamp	250099	0,55 €
15	Junction pipe "Y-shape", water, e.g.130.983 from M...	250830	95,20 €	16	Pipe, return, heater, see picture	283086	71,82 €
16	Return pipe, version see photo	283085	84,35 €	17	Pipe, comp. tank to radiator	250003	176,19 €
18	Elbow, hot water head to heater	220819	115,05 €	19	water fitting M32 fitting hose 250822	220122	45,08 €
19	water fitting M30 fitting 12mm hose	220120	45,08 €	20	Clamp, rad.water return pipe	250098	2,78 €
20	Clamp, rad.water return pipe	250898	1,19 €	21	Bracket, pipe bundle and eng.hangup	220074	26,60 €
22	Pipe,coldstart/inj.pump early M130	220830	31,54 €	22	Pipe,coldstart/inj.pump late M130	220832	32,13 €
27	Copper seal ring	207115	0,18 €	27	Drain plug screw M14 x 1,5 (rad. / eng...)	250027	2,70 €
31	We would be happy to advice you Heater radiator overh. used	283818	638,90 €	33	Cap, cooling liquid "ID 100", W121&113	150017	29,75 €
34	Rubber grommet, inlet	299003	3,55 €	35	Rubber grommet, return	299004	0,50 €
36	Sealing ring, heater valve	283022	2,31 €	37	Radiator, automatic,new 280 Sl.	250005	1.050,00 €
37	Oil cooler, 280SL FN, Alu Repro	250011	214,80 €	37	Oil cooler, 280SL FN, Alu Repro	250811	303,45 €
37	We would be happy to advice you Radiator,overhauled,automatic	250201	950,80 €	39	Clamp e.g. Water reservoir late	999996	4,64 €
41	Thermostat cartridge/gkt. 83°	220009	16,21 €	41	Thermostat cartridge/gkt. 79°	220008	19,58 €
43	Seal ring	220016	1,31 €	45	Seal ring 16x20, copper, e.g. hollow	220013	0,17 €

46	Cap, thermostat housing, latest design (w.extra-hole)	220834	46,99 €	46	bolts		
46	Hex bolt w. slot M6, thermostate housin	220018	0,71 €	47	Bolt M6, yellow zincd, thermo.housing	220017	0,29 €
49	Seal ring 14mm Alu	207186	1,08 €	50	Gasket, thermostate	120011	1,32 €
51	Screw M6 e.g. Bonnet hinges	299289	0,38 €	50	Housing, water pump M108-M130	220804	83,30 €
52	Gasket, housing /engine M130	220007	0,81 €	51	Gasket, water pump	220006	4,28 €
53	Water pump 90mm, most 280 (113 108 107)	220025	38,52 €	53	Water pump 280SL/SE, 107: M110, 90mm	220825	83,60 €
55	Visco fan coupling, M129,130E,110, DASIS	220630	129,89 €	55	Visco fan coupling,	220530	147,25 €
55	bolt M8 / hex 10, pump->fan (veh w.distancer) L40	220046	7,14 €	55	M129,130E,110, FEBI	220030	93,19 €
58	Waterpump M129, M130 A/C, M129 Visco	220803	87,35 €	58	Visco fan coupling, M129,130E,110, Meyle		
60	Pipe,water air venting	220005	27,39 €	58	Water pump M129 div., M130A/C, 127-Visco	220903	77,28 €
62	Sealing ring ID8, eg. for hollow screw	220011	0,10 €	58	Water pump M129 div., M130A/C, 127-Visco	220003	65,27 €
75	V' belt, 10 x 935	299109	7,79 €	61	Hollow screw, air venting	220010	2,48 €
75	V belt 13 X 1060	299101	17,45 €	75	V' belt, 10 x 800	299110	8,98 €
90	Thermostat,inj.,'67->, incl. steel seal	207121	182,62 €	75	V belt 10 X 900	299105	3,69 €
92	Ring, seat, fits thermostate 207121	207151	35,99 €	83	Fitting, engine to water distributor M127, 129, 130E	220091	31,19 €
120033	sealing ring copper 32	120033	1,31 €	91	Housing,Thermo,inj.,250-280SL	207122	210,94 €
220098	Hex.head screw 8.8 M8 X 80 zinc plated	220098	0,57 €	145	Hollow screw,early M16X1,5	220012	5,89 €
				120033	Seal ring, copper , id 30	220118	1,05 €
				220118	sealing ring, aluminium 30mm	215032	0,81 €

54 Electrical Equipment at Body

54.a Instruments

54.a Instruments

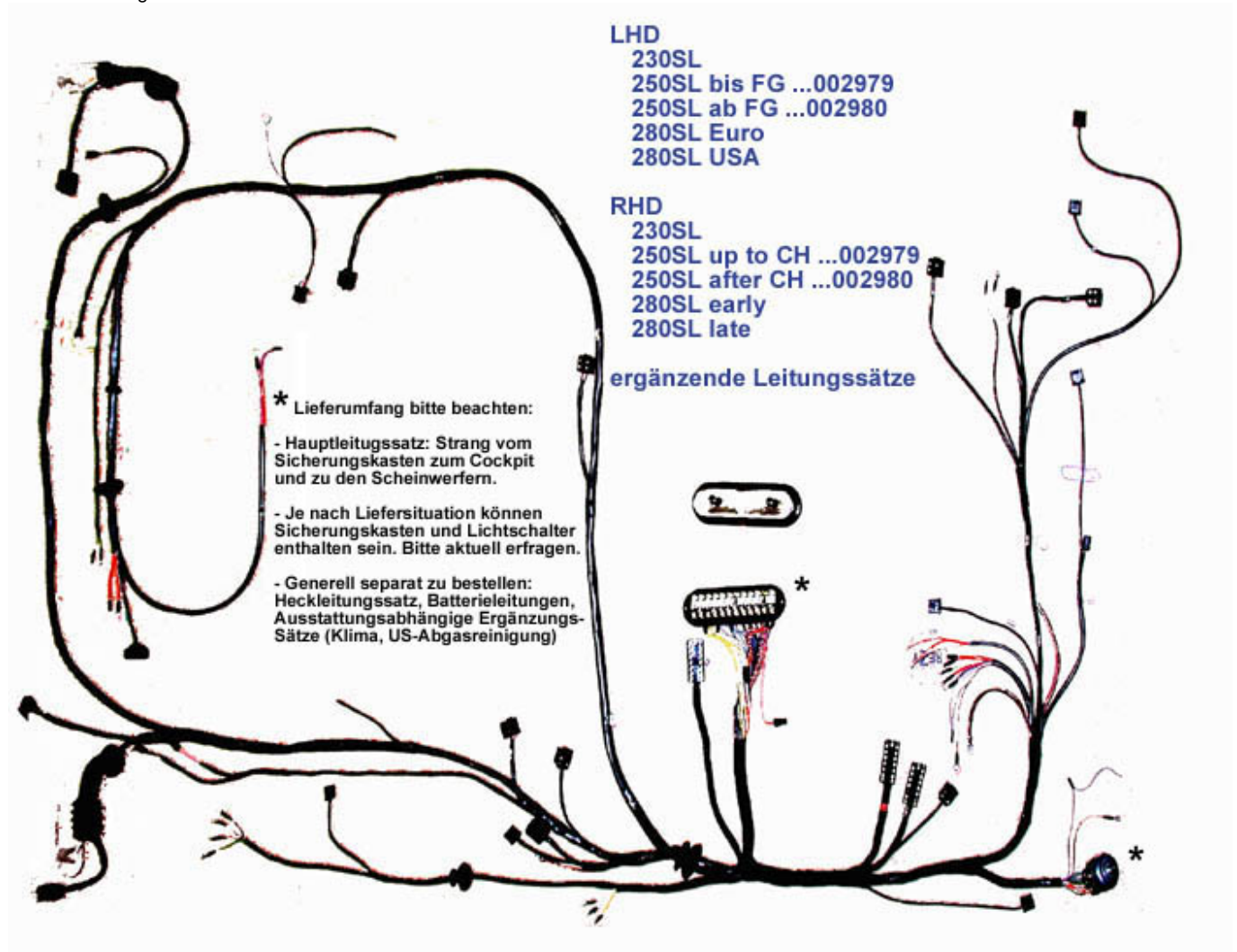


Autm.RH rubber seal, speed cable, if flange D with furrow, small	254118	10,89 €	Man.LHD Speedo flex shaft,manual	254100	38,35 €
Man.LHD rubber seal, speed cable, if flange with furrow, large	254119	10,71 €	Autm.LH Speedo cable LHD Autm.,Repro, like original with seal.	254690	85,00 €
Knurled chrome nut, glove box switch	254109	14,55 €	Autm.LH Speedo flex shaft,auto D	254090	42,26 €
Autm.LH Speedo cable LHD	254790	63,13 €	6 Fuel gauge late, fits tube style sender, repro	254819	298,98 €
D Autm.,Repro,simplified			7 Fuel gauge early, fits float-link sender	254818	273,69 €
7 Label: dial faces oil pressure and temperature	254897	15,99 €	8 °Celsius gauge w.capillar, Repro, sensor too big	254016	264,38 €
7 Oil pressure gauge, Repro	254817	246,98 €	11 O-ring e.g. clock underlay	298754	1,25 €
9 Clock Pagoda, Repro	254800	298,98 €	11 Chrome bezel, late clock (round profile)	254294	114,00 €
11 Chrome bezel, clock early (edge profile)	254094	72,99 €	13 Glass, rev counter	154081	29,00 €
12 Chrome frame, square bezel	254093	219,90 €	13 Chrome ring, speedo/rev.counter	154091	65,45 €
13 Chrome knob, trip-ctr-reset	154083	57,89 €	19 Speedo dial face KM/h as illustrated	254194	221,99 €
13 Glass, speedometer 230-280SL	254282	29,75 €	21 Rubber housing, rev.-counter	254130	92,23 €
20 Rubberseal, speedo/tacho.	254030	9,22 €	22 Rubberseal, central intruments frame	254027	10,54 €
21 Rubber housing, speedometer	254129	91,99 €	23 bulb holder BA9s fits lamp 2W	154048	6,55 €
22 Glass, square instrument	254283	44,95 €	26 Bracket / Clamp f.square instr.housing	254215	19,25 €
25 Lamp socket 107, 108, ..	854048	18,91 €	27 Bracket / Clamp Speedometer	254210	17,41 €
27 Bracket / Clamp Rev.-counter LHD	254212	21,00 €	28 Milled nut M4 Instruments	254197	4,89 €
28 Hex Nut, M4	799919	0,20 €	29 Clamp, clock	254216	15,86 €
28 milled nut M4, as illustrated	954197	1,02 €	33 Oil line LHD,press.gauge->'67	254015	65,40 €
31 LHD Tachometer Cable - 1300mm	254200	46,30 €			

34	Hose, Oil pressure gauge line	254923	64,44 €	39	Rbr grommet ../24,2 hole, revcables, oil/temp-pipe bulb 3W Philips	299009	3,61 €
98	light bulb 12V/2W, BA9s, eg. Instruments	254033	2,20 €	98		299696	0,92 €
98	Bulb 12V / 3W, torpedo, total length 30	226102	2,53 €	98	Bulb, passenger compt. 3W, NoName	299096	1,79 €
98	Bulb, parking light, 12V/4W, BA9S	299099	1,39 €	98	Bulb 12V / 5W, torpedo, total length 38	299098	1,54 €
98	Bulb 1.2W, glass socket, switch-knob, cockpit	299097	1,79 €	98	Bulb 12V / 10W, torpedo, total length 44	299094	0,51 €
98	Bulb, 35W, Fog light	299093	8,32 €	98	Bulb, 40/45W, Bilux	299092	3,99 €
98	Bulb, 55W Halogen H3,fog light	299091	4,52 €	98	Bulb, 55W H1, e.g. 113 if Halogen equipped	299090	2,89 €
98	Bulb 12V/18W direction indicator	299087	3,33 €	98	Bulb, e.g. trunk light	282033	2,50 €

54.b Main wiring harness

54.b Main wiring harness

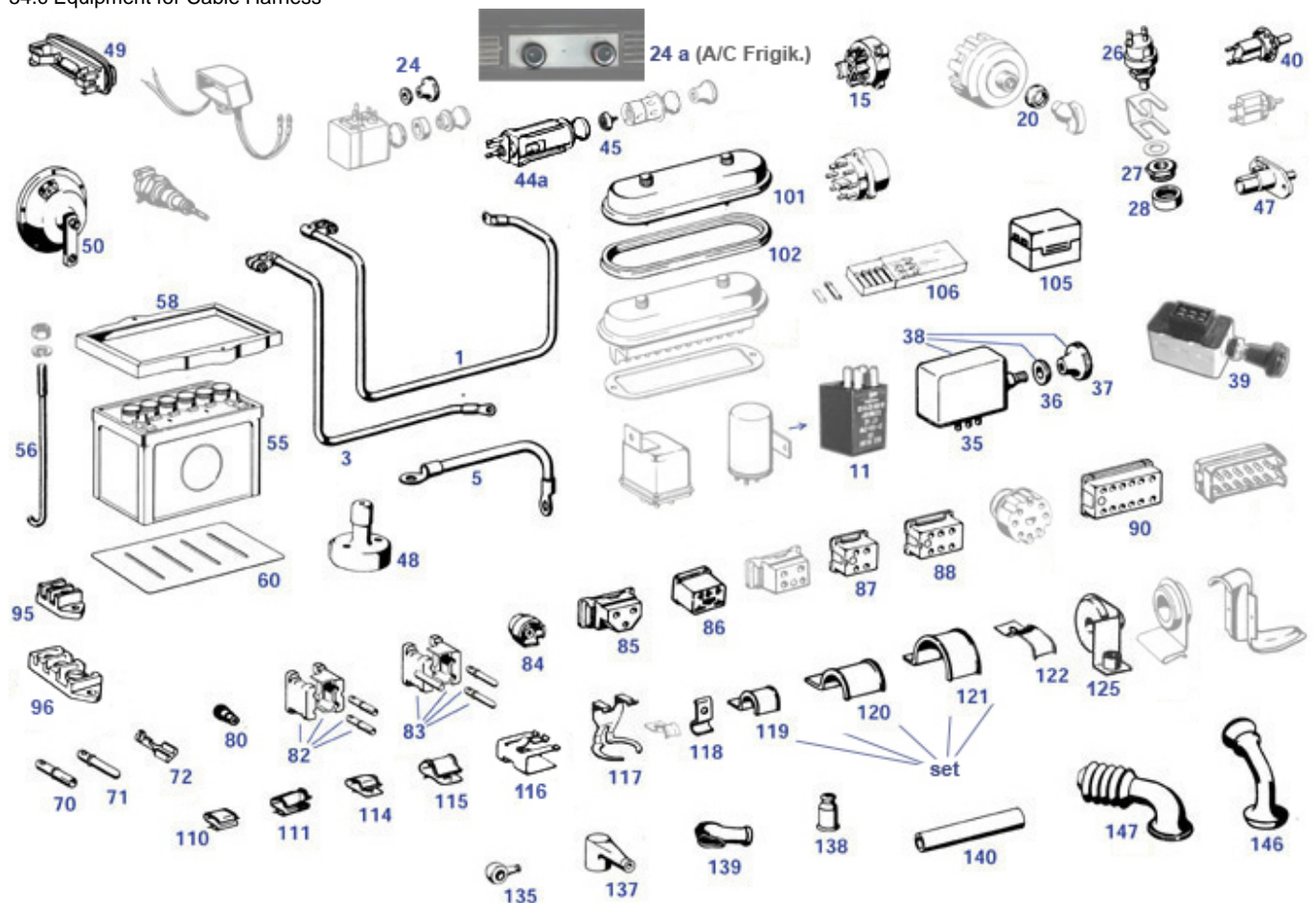


	Wiring, starter to terminal at oil pan ground strapß 400mm	254167	116,85 €	weitere	Rear wire harness 280SL USA	254145	484,98 €
		354245	60,99 €	weitere	Wire,"Hirschmann"antennaa,1xnut-end,500	999975	40,66 €
weitere	Wire,"Hirschmann"antenna,1xnut-end,150c	999974	22,96 €		Adater wire fits new pump to old loom	286540	32,00 €
weitere	Wiring, rr fog light	254292	151,73 €	weitere	A1135401209 Wire set transistor ignitio	254291	160,00 €
weitere	Wireset US-spec to gearlinkage, late	254161	458,99 €	weitere	Wireset US-spec to autom.box	254160	429,00 €
weitere	Rear wire harness 230SL late, (254142	425,00 €	weitere	Rear wire harness 230SL early	254041	419,00 €

	.042 from 012467)						
weitere	Rear wire harness 250-280SL	254042	429,99 €	230SL LHD	Harness,LHD 230SL, auto FN	254037	2.199,00 €
230SL LHD	Harness, LHD, 230SL, manual FN	254136	2.199,00 €	230SL RHD	Harness,RHD,230SL, manualFN	254134	2.299,50 €
230SL RHD	Harness,RHD 230SL, autoFN	254135	2.299,50 €	250SL LHD spät	Harness,LHD,euro, man. FN	254039	2.199,00 €
250SL LHD spät	Harness,LHD, auto. FN	254040	2.199,00 €	250SL RHD	Harness,RHD,250SL, autoFNer.	254139	2.299,50 €
250SL RHD	Harness,RHD,250SL, man.FNer.	254138	2.299,50 €	250SL RHD late	Harness,RHD, auto.FN	254143	2.299,50 €
250SL LHD	Harness,LHD,250SL, auto FN	254038	2.199,00 €	250SL RHD late	Harness,RHD, manualFN	254141	2.299,50 €
250SL LHD	Harness,LHD,250SL, man.FNer.	254137	2.199,00 €	280SL USA	Harness,LHD,280SL,USA,auto,FN	254140	2.199,00 €
280SL RHD late	Harness,RHD,280SL,man,FNlt	254152	2.299,50 €	280SL USA	Harness,LHD,280SL,USA,man.,FN	254151	2.199,00 €

54.c Equipment for Cable Harness

54.c Equipment for Cable Harness



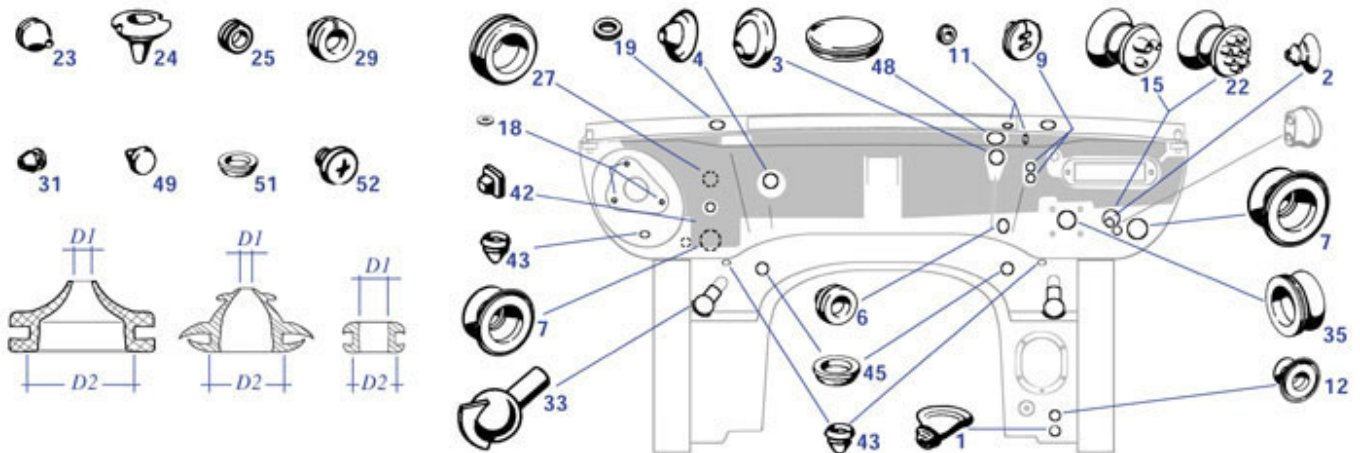
regulator, copy of old design	254521	41,92 €	Cover, for wire terminal @ autom-housing	254009	33,24 €
Ign coil Bosch 6-Cyl 108-113.. late	254611	80,55 €	A0035452626 Solder bushing 4mm, connect	854055	0,58 €
2-pole housing (plastic base & cap), no metal bushings	254182	7,97 €	ground strapß 400mm	354245	60,99 €
ground strap 40cm, eyes 8 + 6mm, w.prot hose	354246	39,50 €	Extr. reg.,alternators '65->'74	254721	29,85 €
Knurled chrome nut, glove box switch	254109	14,55 €	4-pole housing (plastic base & cap), no metal bushings	254883	8,09 €
Marelli ignition coil MB 6-Cylinder	254411	31,12 €	8-pole housing (plastic base & cap), no metal bushings	254181	8,69 €

	6-pole housing (plastic base & cap), no metal bushings	254180	8,45 €		Turn signal transmitter (metal), Bosch	182001	76,90 €
1	Starter wire, long (157cm)	254044	104,90 €	1	Starter wire 230SL, short (148cm)	254244	97,50 €
1	battery terminal screw M8 X28	554010	0,62 €	3	Battery earth strap (-)	254245	86,45 €
5	Ground wire,	254249	59,99 €	5	Ground strap, engine to body, M12 banjo	254049	85,68 €
10	Universal-Relay "flip-flop", not A0005426819	982345	62,00 €	11	Turn signal transmitter	254760	42,39 €
11	crimp connector	997992	0,43 €	11	Housing, fits up to 5 crimp-shoes	554070	0,71 €
11	universal flasher relay 12V 4x21W Bosch, flat pole	582070	42,39 €	11	Flasher relay, see pict, pin position changed	254060	39,91 €
15	switch, ign-lock '62-'67 113...	246090	98,92 €	16	A1164620093 Switch.ignition ca 67-80	246091	79,99 €
18	teethed washer 4,3mm	999037	0,13 €	18	Shim 4,3x8	799939	0,19 €
20	Nut, chrome, light switch	254043	11,63 €	23	Switch, heater blower 4-Pin=3-Pole, reproduction	282024	334,99 €
24a	Knob A/C Temp, blue dot	382028	41,80 €	24	Knob,small,heater blower switch, see picture	382825	61,90 €
24	Knob, heater blower switch, Repro, optical shortcomings	282826	68,29 €	24a	Knob, A/C-vent, green dot	382027	52,30 €
24	A1108201592 Knob, heater blower switch	282026	59,99 €	24	Knob small, heater blower switch, see picture	382826	61,90 €
24	Knob large, heater blower switch, Repro w.chrome nut	282726	61,90 €	26	brake light swich, 4-pole, see illustration	954019	37,26 €
28	plastic ring, pedal stop @ brake switch	254107	26,18 €	30	A0015450211 Contact switch, glovebox	254101	402,03 €
36	Escutcheon, emerg. flasher switch	282035	10,28 €	39	Relay, flasher, retrofit., plastic knob, Bosch	982034	157,15 €
39	pigtail harness fits emergency switch 982034	982035	49,03 €	39	Upgr. hazzard flasher Hella with wiring	982834	150,78 €
40	Adater wire fits new pump to old loom	286540	32,00 €	40	Con.housing, 2 pole flat	254103	0,54 €
40	Door switch round pin connectors	282721	82,26 €	40	Switch, flat connectors	282031	10,21 €
44a	Cigar lighter complete '67->	282048	265,00 €	44a	complete Cigar lighter (up to 1967)	282047	205,99 €
45	Spiral element, fits genuine cigar lighter	154049	18,49 €	46	Knob, Design 1968, M5, fits Cigar lighters M5	254843	45,28 €
47	Trunk(boot) light and switch '59-'85	282022	40,58 €	47	pan head tapping screw zinc plated 3,9 X 13	188889	0,25 €
48	foot operted switch	454012	32,68 €	49	Interior light, simplified	282020	11,90 €
50	Screw, M4X6 Phillips, e.g switch	799546	0,24 €	50	Rest ! 1 pair retro horns, chrome, imported	454013	75,90 €
56	Hex nut M6, yellow zinc.	181023	0,18 €	56	Spring washer, fits M6	181028	0,18 €
56	Clamp bolt, battery	254025	7,97 €	58	battery hold down, R113, Repro	254826	65,45 €
58	Batteryframe, upper, repro, paint unfinished	254026	64,31 €	60	battery tray floor	254010	14,07 €
70	contact bushing 4mm brass, silver plated	254855	1,40 €	70	Sold on sleeve 4mm	254055	2,69 €
71	metal pin f. el. connectors	754054	0,77 €	72	Wire Connector, 90°, 9,5mm wide, e.g. generators	754187	2,38 €
83	part of housg, el. conn.	954945	2,20 €	83	Set 2-pole-connector (m), narrow style	754158	10,92 €
83	part of housg. 2-pole male connector	254087	5,12 €	84	Housing for Bilux/H4 connector	182042	4,74 €
84	H4 Connector housg w.3x flag crimps	282041	5,83 €	85	Plug hsnng,Regulator, 3xflat	254080	7,28 €
85	flat crimp shoe, with nose, female, ... 2,5mm²	754055	0,65 €	88	as long as stock lasts! el. connector (fem) 6-pole, kit,	254984	27,67 €
90	Terminal, 12 bushings, hole distance 8mm	254262	41,00 €	90	Terminal, 12 bushings, hole distance 9mm	254862	41,00 €
91	contact pin 4mm brass silver plated	754956	0,54 €	95	2 pole terminal	154052	44,85 €
96	A0005466541 Terminal block, 3 pole	254064	29,99 €	97	Plug socket 12V/16A, universal, non-MB, non-Boschl	554867	8,83 €
97	A0005451525 Socket, engine compartment	254070	42,84 €	100	Fuse box without cap, 108 (for 2 short fuses)	854024	577,21 €
100	Fuse box without cap, 110,...	354024	539,93 €	100	Fuse box without cap, 113 (for 2 short fuses)	254024	539,93 €
101	Cover, fuse box 108-113 div., Repro	254065	73,73 €	101	Cover, fuse box 108-113 div., as genuine	254965	87,96 €
102	Seal, fuse box cover	254854	11,71 €	104	Underlay, fuse box @ firewall	254853	10,20 €
104	Phillips screw, semicircular head, M4 x 10	990107	0,18 €	104	spring washer mech. zinc plated B4	799926	0,12 €

105	Fuse box, additional,2 fuses, cap with screw	254099	9,71 €	106	25Amp fuse, short version, NOS	258991	5,69 €
110	Clip, see picture, Pls follow recommendation 254874	254774	0,60 €	110	Spring clip for Rt.+Lt. cable	254071	0,83 €
111	Clip, cable	254073	1,09 €	114	See new article number 254874 A0009883378, Clip	254074	1,49 €
114	clip, e.g. wire fixture 190SL, R113, R/C107	254874	1,50 €	115	Clip, similar 0009883478, hoses, wires	254075	1,00 €
116	Clip for wire harness	254072	7,97 €	117	Clamp at connector "kickdown-switch"	254172	63,19 €
118	Clamp, e.g. oil-pipe, wires	199025	4,22 €	119	Clamp, e.g. wiring, inner width 15mm	254069	5,65 €
120	clamp, ca. 25mm, wires	199023	7,32 €	120	Clamp,pipe,under body,rear	247053	7,69 €
121	Clamp, wiring near A-pillar (inn-wdth 3	254168	7,54 €	122	Clamp, bulkhead	242058	2,44 €
126	Rubber grommet 11/30, blue silicon rubber	299517	1,59 €	135	Rubber dust boot (at Gen. .)	254051	3,25 €
135	Grommet for Fuel Pump Wiring	299018	2,53 €	137	Rubber Boot on to Thermoswitch	254125	9,39 €
138	Prot.sleeve ign.leads -> distributor	215815	2,73 €	139	Rubber Boot on Starter Motor and Alternator	254126	7,16 €
139	Rubber cap, starter wire, small	754026	6,14 €	139	Cap, starter terminal	154056	5,71 €
141	wire strap with rivet plug, 160mm	854087	1,29 €	141	wire strap with rivet plug, short (120mm)	554087	1,26 €
146	Tube,prt.,head lamp cable,r.h.	254046	24,29 €	147	Tube,prt.,head lamp cable,l.h.	254047	24,29 €

54.d Rubber Grommets

54.d Rubber Grommets



Needed grommet not found ?
Pls. send sample / picture / measures of D1/D2
Die gesuchte Gummitülle ist nicht dabei ?
Schicken Sie uns Muster / Bild / Abmessungen D1/D2

Set Firewall Plugs
Satz Stirnwandtüllen

This table contains normal equipped LHD-firewall. Perhaps you may find a required item more easily here:

[Other MB categories](#)

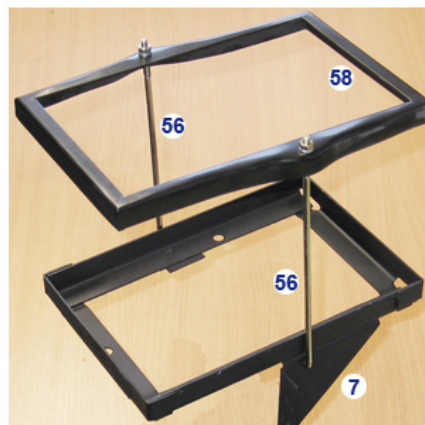
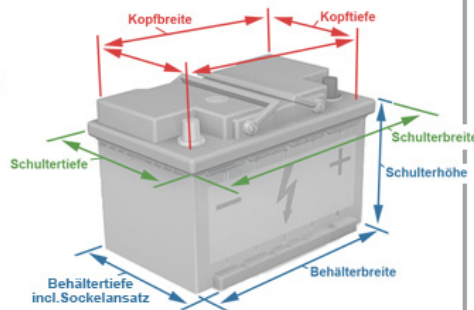
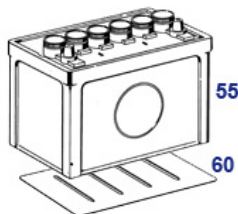
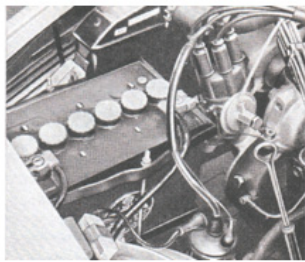
In that catalogue you may find other helpful groups, such as car body screws and rubber hoses, assorted by dimension.

	Rubber grommet 11/30, blue silicon rubber	299517	1,59 €		Rubbergrommet, defrost tube	183109	16,30 €
1	Grommet 6/26, 45°, e.g. hydr-line clutch	299001	2,68 €	1	Grommet, 6/27mm,45° hydr.line clutch	298787	2,82 €
2	Rubber plug instead clutchline	298786	0,73 €	2	Rubbergrommet at firewall	299002	3,05 €
3	Rubber grommet, inlet	299003	3,55 €	4	Rubber grommet, return	299004	0,50 €

6	Grommet, acc. Pedal, bulkhead	299006	4,19 €	7	Grommet, cable, bulkhead 17/40	299007	3,05 €
9	Rbr grommet ../24,2 hole, revcables, oil/temp-pipe	299009	3,61 €	11	Rbr grommet, 7/10, 113 washpipe, 121 boot	299011	1,08 €
12	Grommet, 5/25, bulkhead	299012	2,09 €	15	Rubber grommet 3 way, bonnet cable	298778	3,55 €
15	Grommet, rubber, 2 piece ../25mm	399011	3,61 €	18	Rubber ring, wiper motor	282407	0,77 €
19	Rubber ring, repl., w/s wiper shaft	282247	1,59 €	22	Grommet, mutiple holes, /35	298789	3,05 €
23	Rubber grommet 5/10 heating	298875	0,40 €	23	Rubber grommet 3/18, 121, 113, 107 and other	199010	1,67 €
24	Grommet 4/20mm, 1 hole, drain	399009	1,71 €	25	Rubbergrommet 7/15mm, air duct, hornwir	199009	2,31 €
25	Rubber grommet 10/15, taillight bucket 190SL, 107	199020	1,08 €	25	Grommet, 14/18, bulkhead, generator wire	298784	2,59 €
27	Rubber grommet	299005	2,59 €	27	Rubber grommet 11/30, bulkh(190), 107,...	299017	1,59 €
29	Grommet 6/26	299819	3,15 €	33	Ball Grommet for Bulkhead Drainage Pipes	283032	25,75 €
35	Boot, bulkhead, brake push rod	229018	13,01 €	42	Rubbergrommet, firewall, square	299026	3,32 €
43	Rubber plug 10mm, see pict	298781	1,12 €	43	Rbr plug 10mm	798781	1,17 €
45	Rubber plug, 20mm	298780	0,94 €	48	Closing disc	298045	6,68 €
49	see 298688	298788	0,40 €	49	Rubber buffer 5mm, 121, 113, 10	298066	0,89 €
51	Plug, 32mm, e.g. boot, ..Repro	268309	1,81 €	51	Rbr plug 17,5mm	398995	1,17 €
51	Floor/Body Panel Plug - 26mm	298782	1,30 €	51	plug, plastic, closes 9.5mm holes	298688	0,42 €

54.i Info Battery Dimensions

54.i Info Battery Dimensions



Abweichende Bauarten = mögl. Montageprobleme: kein Halterand, Polklemmen berühren Rahmen (58)

Bei R113 sind die Maße wichtiger, als die Kapazität, da der Einbauraum äußerst begrenzt ist. Liefersituation bitte stets erfragen !

gemessen an lieferbaren Rahmenteilen:
Kopfbreite max. 248mm
Kopftiefe max. 152mm
Schulterbreite max. 270mm
Schultertiefe max. 170mm
Schulterhöhe max. 205mm
Behälterbreite max. 264mm
Behältertiefe max. 174mm

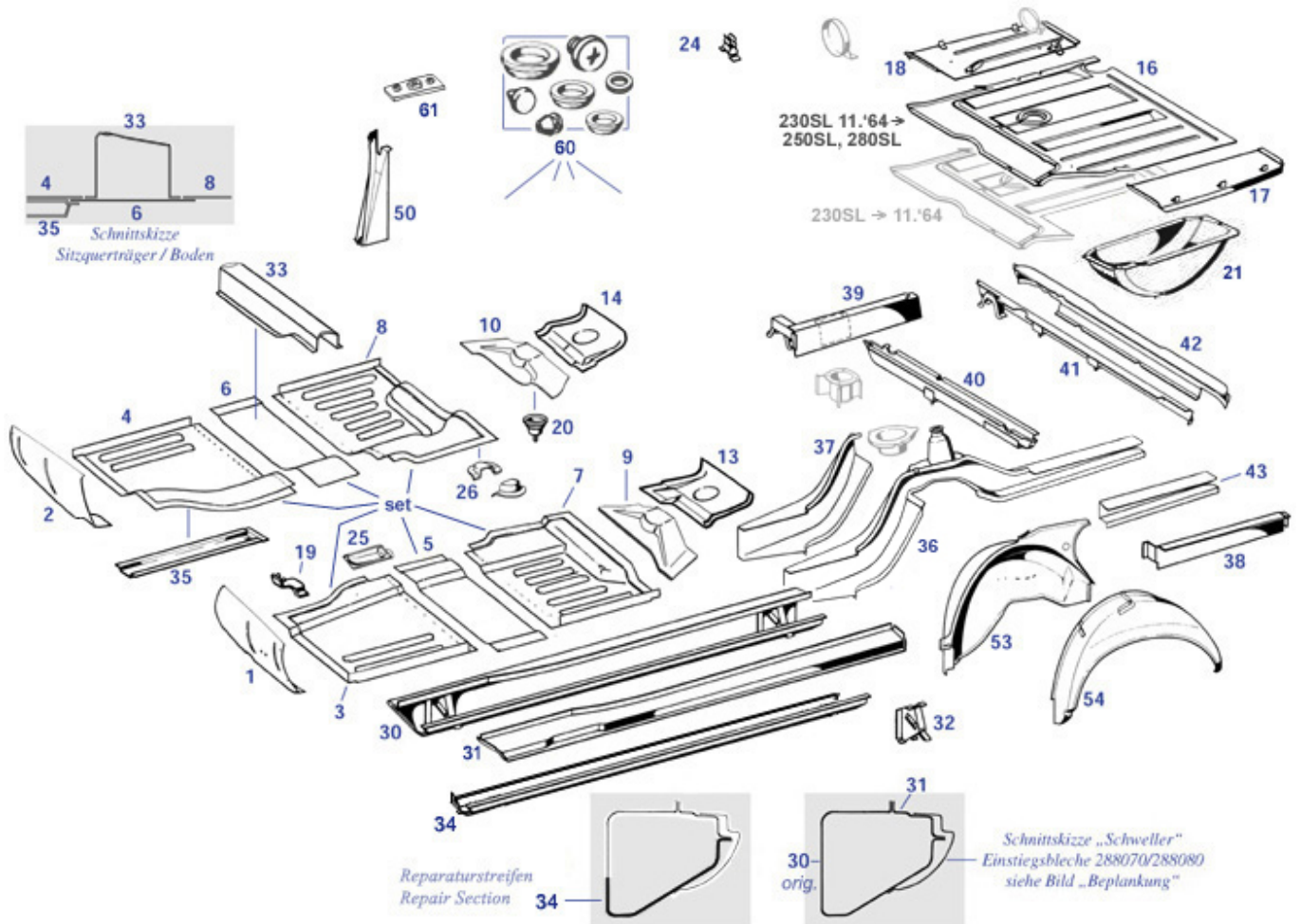
battery terminal screw M8 X28	554010	0,62 €	7	Battery frame, R113 lower	262050	68,76 €
-------------------------------	------------------------	--------	---	---------------------------	------------------------	---------

56	Hex nut M6, yellow zinc.	181023	0,18 €	56	Spring washer, fits M6	181028	0,18 €
56	Clamp bolt, battery	254025	7,97 €	56	nut M6 w. flange, zinc plated	799913	0,37 €
58	Batteryframe, upper, repro, paint unfinished	254026	64,31 €	58	battery hold down, R113, Repro	254826	65,45 €

62 Body, Frame & Panelling

61 Floor Panels 230SL 250SL 280SL

61 Floor Panels 230SL 250SL 280SL



MB original spare parts / numbers were not provided for the floor parts of the passenger compartment.

Parts 1, 2, 9, 10, 13, 14, 34 and 37 are repair parts with adjustment needs.

The spare wheel well accounted for approx. 11.1964, the tank enlargement followed from 01.1965. Affected are pump environment and cross member.

The frame and body parts of the SLS assortment come from various reproductions. The surfaces vary accordingly between uncoated, galvanized, simplified primer and powder coating. The latter, previously chemically degraded, can be used as a buildable layer.

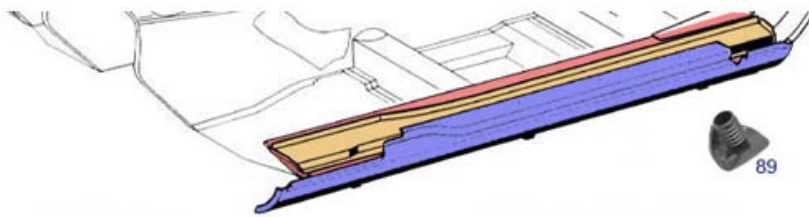
	lower plate, tunnel closure + gearbox carrier, Repro	268603	737,80 €		Crossmember w.tank supp., 250/280SL	261811	274,20 €
1	Repairpanel, footwell, left	201010	65,13 €	2	Repairpanel, footwell, right	201020	81,46 €
3	Floor, front, left, W113 230 - 280 SL	201030	140,00 €	4	Floor, front, right, 230 - 280 SL	201040	140,00 €
5	Rest: Floor section ctr LH, uncoated	201850	11,90 €	5	Floor, intermediate, left, R113	201050	40,42 €
6	Floor, intermediate, right, R113	201060	40,42 €	6	Rest: Floor section ctr RH, uncoated	201860	11,90 €
7	sellout: Floor panel rear left B-quality	201071	48,69 €	7	Floor, rear, left	201070	148,75 €
8	Floor, rear, right, R113 230 - 280 SL	201080	148,75 €	8	NLA: Floor panel rr RH, uncoated	201880	108,54 €
9	repair panel pushrod recording left	201090	153,05 €	9	Repairpanel, rear Left with axle strut mount	201091	207,98 €
10	Repairpanel, rear right with axle strut mount	201101	207,98 €	10	repair panel pushrods recording rear right	201100	153,05 €
13	Repair panel, over axle left, needs work for fitting	201110	112,35 €	14	Repair panel, over axle rear right 230 - 280 SL	201120	112,35 €
16	round cover above fuel sender, Repro	247814	5,20 €	16	Cover above fuel sender, plastic, black	347014	7,79 €
16	Trunk floor from 11.'64, made in EU	261800	138,08 €	17	Grommet 4/20mm, 1 hole, drain	399009	1,71 €

17	Trunk floor, left side	261070	93,89 €	18	Trunk floor, Rt., with jack footpot	261880	344,51 €
18	Trunk floor, Rt., no jack foot pot	261080	112,79 €	19	Bracket, accelerator pedal assy LHD	261140	41,00 €
20	Rr axle strut mount support @ floor	235010	66,25 €	21	Spare tire well 230SL "early"	261895	636,14 €
24	Lug wrench holder	164041	15,33 €	25	Trough, hand brake cable R113	201035	86,08 €
26	1 bracket at floor panel, for the mid exhaust rubber	261049	26,25 €	30	Rail R113, LHD-RH, Repro	261721	418,76 €
30	Main frame inner rail R113, LH	261011	524,87 €	30	Main frame inner rail R113, RH	261021	524,87 €
30	Rail R113, LH, Repro	261711	410,55 €	31	Top section of frame rail left, Repro	261730	66,76 €
31	Top section of frame rail right, Repro	261740	66,76 €	31	Upper rail section LH, Repro	261830	86,63 €
31	Upper rail section RH, Repro	261840	86,63 €	32	Bracket,jack LHD 4x, RHD 3x	261015	108,64 €
32	Cap, jack hole 230-280SL	289008	13,74 €	33	Crossmember,under seat,lt.	261430	212,89 €
33	Crossmember,under seat, right	261440	212,89 €	33	Crossmember,under seat,lt.	261330	285,99 €
33	Crossmember,under seat,rt.	261340	285,99 €	34	Frame rail, lower rep section, RH	261022	136,20 €
34	Frame rail, lower rep-section, LH	261012	136,20 €	35	Reinforcement under floors	262300	81,50 €
36	Outrigger, rear, Rt.	261100	796,71 €	36	Outrigger, rear, Lt.	261090	796,71 €
37	Frame rail rep.section rr.RH	261105	353,00 €	37	Frame rail rep.section rr.LH	261095	353,00 €
38	Outer wall rr rail LH trunk	261750	26,70 €	39	bracket at rear rail, for rr muffler frt rubbers	261848	65,45 €
39	Sect.of rr rail incl Exh-brack, Repro	261760	145,66 €	40	cross member with trunk support	261911	172,55 €
41	tail panel, all shells ready assembled	264710	1.522,00 €	41	Frt shell, rr cross member	261820	294,68 €
41	frt shell of rear cross member, w.tank supports	261720	136,85 €	42	cross member shell rr/rr	261738	172,55 €
42	cross member shell rr/rr	261130	93,72 €	43	Outrigger, repro., rear lt.	261097	136,99 €
43	Outrigger, repro., rear rt.	261107	136,99 €	53	Wheel arch rr inner, RT, Repro	264840	416,50 €
53	Wheel arch rr inner, LT, Repro	264830	416,50 €	54	Outer wheelarch RH, rep.-version	264061	275,00 €
54	Outer wheelarch LH, rep-section	264051	275,00 €	54	Outer wheelarch LH, dim. "width" better than 264051	264851	327,25 €
54	Outer wheelarch RH, dim. "width" better than 264061	264861	327,25 €	61	thread plate for belts	299985	16,11 €
62	bracket, pressure regulator 113 rr.axle from '68	261054	64,20 €	91	bracket, rear seat support @rail or tunnel	261250	155,00 €

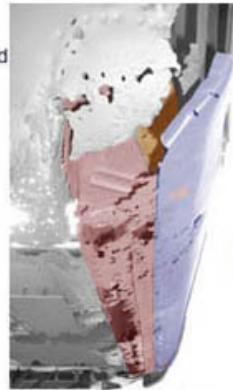
61.a Info frame rail parts

61.a Info frame rail parts

Info zu Karosseriearbeiten am Schweller
Info about outer rail repairs

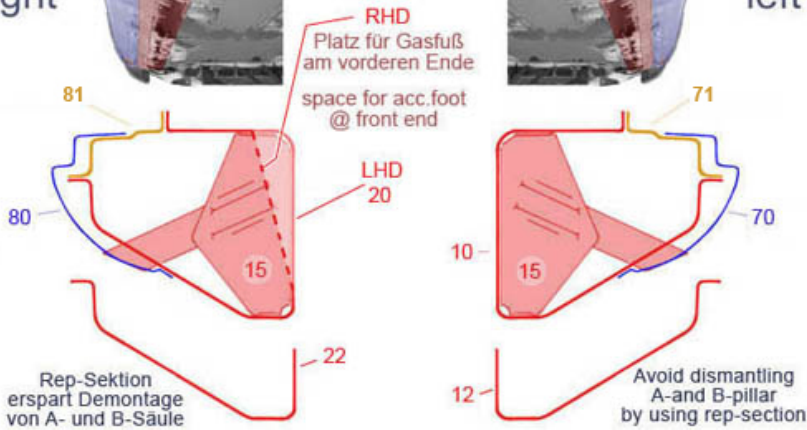


Pedalböden, Trennwand zur Fahrgastzelle
Footwell front floor
Blick von vorn
View from front



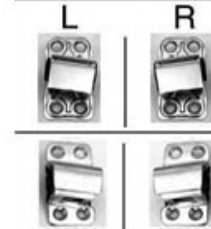
links
left

rechts
right



Infos zu Karosseriearbeiten ab der B-Säule
Info about bodyworks @ B-pillar

Info about bodyworks @ B-pillar



Anpassung der Schließung vor den Lackierarbeiten

Test door catch mount before paint job

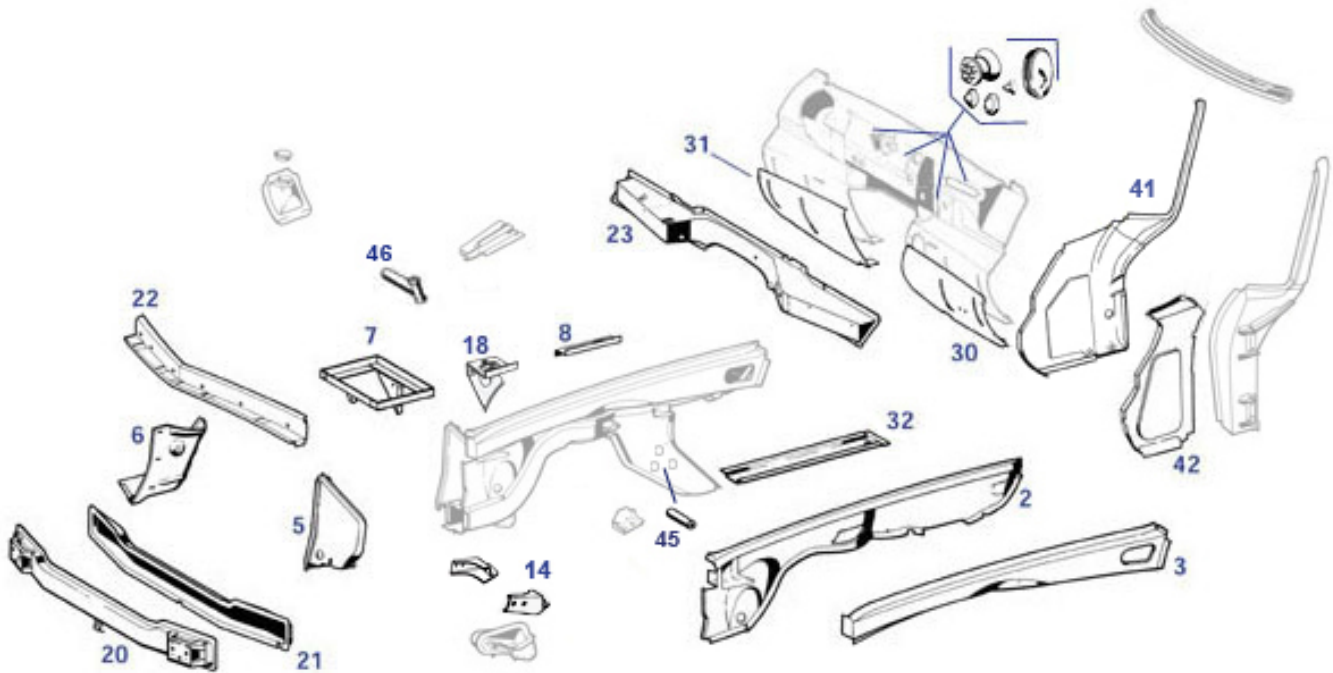


Rechtzeitige Planung für Gurt-Nachrüstung
Early planning of seatbelt installation

	Rocker panel RH	288180	166,60 €		Rocker panel LH	288170	166,60 €
10	Main frame inner rail R113, LH	261011	524,87 €	10	Rail R113, LH, Repro	261711	410,55 €
12	Frame rail, lower rep-section, LH	261012	136,20 €	15	Bracket,jack LHD 4x, RHD 3x	261015	108,64 €
20	Main frame inner rail R113, RH	261021	524,87 €	20	Rail R113, LHD-RH, Repro	261721	418,76 €
22	Frame rail, lower rep section, RH	261022	136,20 €	70	Threshold panel R113, '65-'71 LH	288070	208,67 €
71	Top section of frame rail left, Repro	261730	66,76 €	80	Threshold panel R113, '65-'71 RH	288080	208,67 €
81	Top section of frame rail right, Repro	261740	66,76 €	89	Cap, jack hole 230-280SL	289008	13,74 €

62 Body, front

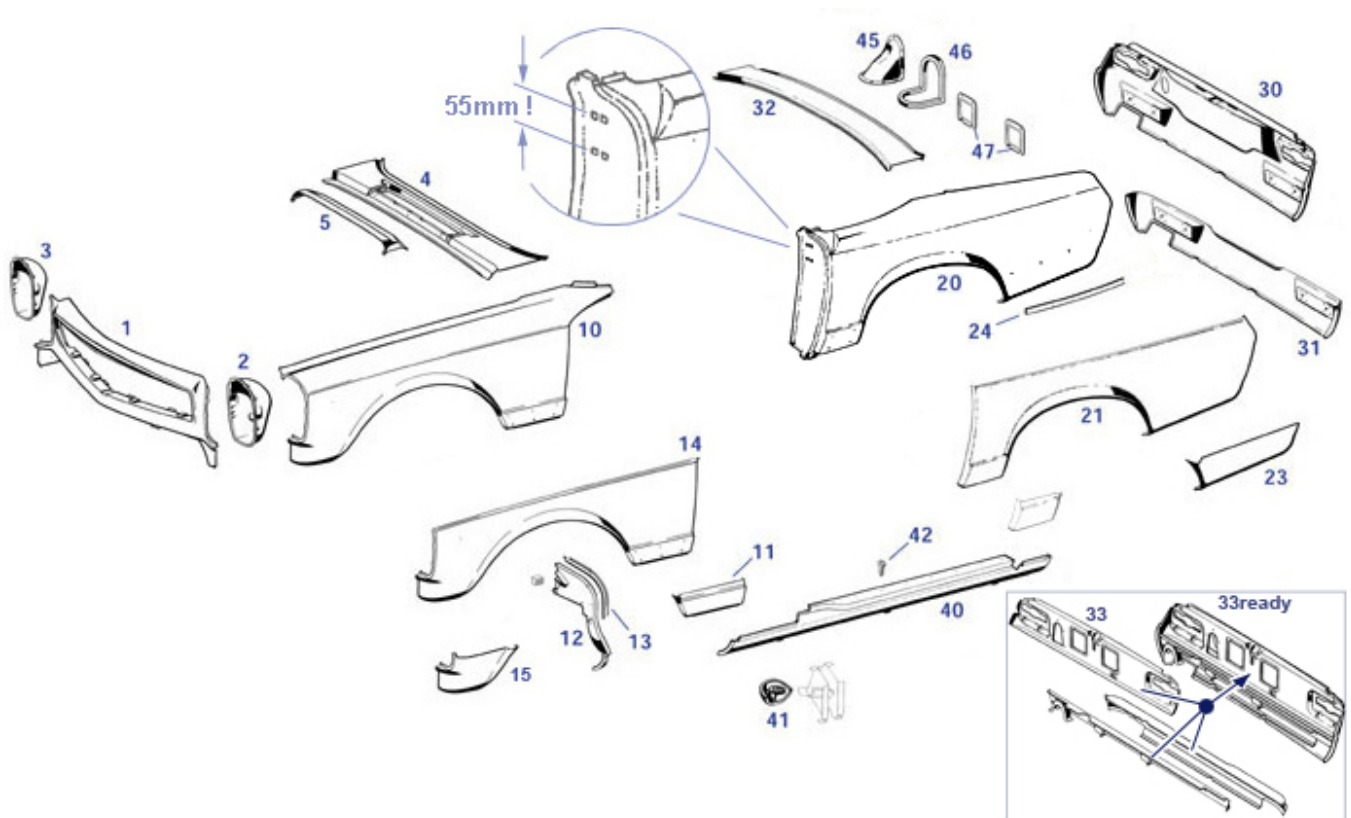
62 Body, front



	Cardbox for large spareparts, 170x60x80cm	967993	25,82 €		Connecting panel R113, Rt.	262220	136,85 €
2	Front inner wheel arch RH 230-280SL, Repro	262140	332,30 €	2	Front inner wheel arch LH 230-280SL, Repro	262130	332,30 €
3	wheel arch strut RH	262825	108,90 €	3	wheel arch strut LH	262815	108,90 €
3	wheel arch strut RH	262625	154,69 €	3	wheel arch strut LH	262615	154,69 €
5	Baffle plate, 230-280SL, Lt	262070	220,99 €	5	Baffle plate, 230-280SL, Lt	262670	136,90 €
6	Casing plate, 230SL, Rt.	262065	203,91 €	6	Baffle plate 250-280SL right	262960	220,99 €
7	Battery frame, R113 lower	262050	68,76 €	13	Plate, shocker bracket, upper, ref.-No. A1803260267	232040	16,60 €
14	pair of supports L+R, signal horn mounts	262314	220,30 €	18	Support f.hood belt and spring strut	262132	33,20 €
20	Cross member frt shell OE 2,1kg/1,3mm	262020	229,99 €	20	Cross member frt shell Repro 1,9kg/1,2mm	262720	142,80 €
21	Cross member rr shell Repro 1,4kg/1,2mm	262830	63,19 €	21	Cross member set Repro	262900	167,67 €
21	Cross member rr shell OE 1,5kg/1,25mm	262030	150,00 €	22	Support, inner nose panel R113	262040	91,04 €
22	Stiffening, inner frt nose panel, Repro	262840	130,00 €	23	Rep-section cross member RH	262276	249,90 €
23	Rep-section cross member RH	262275	249,90 €	23	w.shortcomings: crossmember @ firewall	262278	609,99 €
23	Cross member, bulkhead, made in EU, welded	262270	590,60 €	30	Repairpanel, footwell, left	201010	65,13 €
31	Repairpanel, footwell, right	201020	81,46 €	32	Reinforcement under floors	262300	81,50 €
41	'A' pillar R113, inner right	262200	259,00 €	41	'A' pillar R113, inner left	262190	259,00 €
42	Connecting panel R113, Lt.	262218	109,96 €	42	Connecting panel R113, Rt.	262228	109,96 €

64 Panelling

64 Panelling

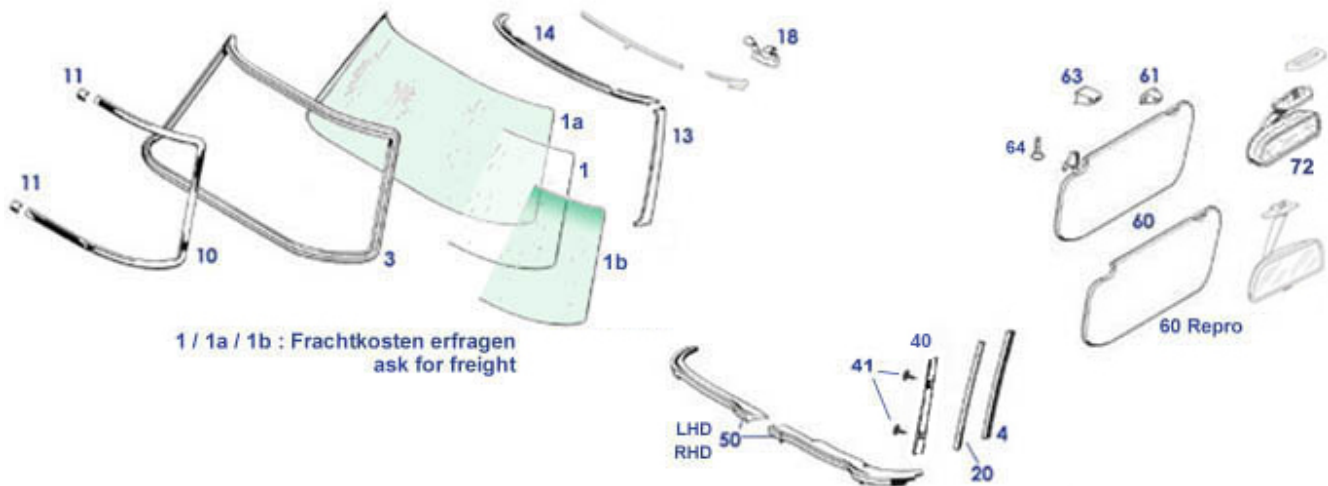


	Rocker panel RH	288180	166,60 €		Rocker panel LH	288170	166,60 €
	W/S glasstransp. incl. box(Germany)	967999	121,25 €		Nose panel 230-280SL Reproduction	262710	819,90 €
1	Nose panel 230-280SL Reproduction	262810	760,28 €	2	threaded bushing, lamp housing repair	262855	2,50 €
2	Lamp housing LH	262850	61,23 €	2	Tube,prt.,head lamp cable,l.h.	254047	24,29 €
2	Rubber buffer 5mm,121,113,10	298066	0,89 €	3	Lamp housing RH	262860	61,23 €
3	Tube,prt.,head lamp cable,r.h.	254046	24,29 €	4	Panel upper centre, front	262875	302,33 €
5	Screw 3,5 x 9,5, see picture	288081	0,32 €	5	Screw for chrome strips	269164	0,13 €
5	hood above air duct grille, Repro doesn't meet genuine Quality	283820	175,77 €	5	Washer, entry trim strip,fr.	268132	0,18 €
5	Screw	799931	0,24 €	10	Wing/Fender R113 front left Repro	262870	982,93 €
10	Wing/fender fr.left Repro incl housing	262770	998,41 €	10	Wing/Fender R113 front right Repro	262880	982,93 €
10	Cardbox for large spareparts, 170x60x80cm	967993	25,82 €	10	Wing/fender fr.right Repro incl housing	262780	998,41 €
11	Patch panel, front wing Lt.	262171	116,87 €	11	Patch panel, front wing Rt.	262181	116,87 €
12	Splash guard 230-280SL, Rt.	288660	58,31 €	12	Splash guard 230-280SL, Lt.	288650	58,31 €
12	Panelling screw 5,5 x 16 (hex head 8mm)	288059	0,60 €	12	Wing inners, set, s/s R113	288054	175,53 €
12	tapping hex.head screw 6,3 X 19	288559	0,60 €	14	"Repair panel"3/4-wing"front, rt."	262183	428,38 €
14	"Repair panel"3/4-wing"front, lt."	262173	428,38 €	15	Patch panel LT lower frt wing section	262172	108,16 €
15	Patch panel RT frt lower wing section	262182	108,16 €	20	Wing(fender),rear RH early (3 bolt latch)	264880	854,06 €
20	Wing(fender),rear left	264881	963,90 €	20	Wing (fender) rear left	264871	963,90 €
20	Wing(fender), rear LH early (3-bolt latch)	264870	854,06 €	21	Patch panel 75% wing raer Rt.	264083	299,20 €
21	Patch panel 75% wing rear Lt.	264073	299,20 €	23	Patch panel wing rear lower Rt.	264081	99,86 €
23	Patch panel wing rear lower Lt.	264071	103,95 €	24	Multi-Purpose Adhesive Insulation Seal	298001	9,40 €
30	tail panel, outer, 230-280SL 113	264700	347,69 €	31	Repr. panel, R113 rear end lower	264105	262,40 €
32	ctre upper panel, except.Califor.	264810	244,97 €	33ready	tail panel, all shells ready assembled	264710	1.522,00 €
33	N/A ! A1136400371 inner panel, rear	264890	217,95 €	33	inner panel, rear	264790	577,27 €
40	Threshold panel R113, '65-'71 RH	288080	208,67 €	40	Threshold panel R113, '65-'71 LH	288070	208,67 €
41	Cap, jack hole 230-280SL	289008	13,74 €	45	Tapping screw Phillips 4,2x9,5	799936	0,15 €

45	Cover plate, filler neck	269020	31,77 €	46	16 m sealing compound strip 3mm black	699996	10,59 €
46	Edge protection profile mtr, eg trunk	269010	3,80 €	47	cover, rear panel, inner	269033	43,61 €
61	Frt shell, rr cross member	261820	294,68 €	61	frt shell of rear cross member, w.tank supports	261720	136,85 €

67 Windscreen 230SL 250SL 280SL

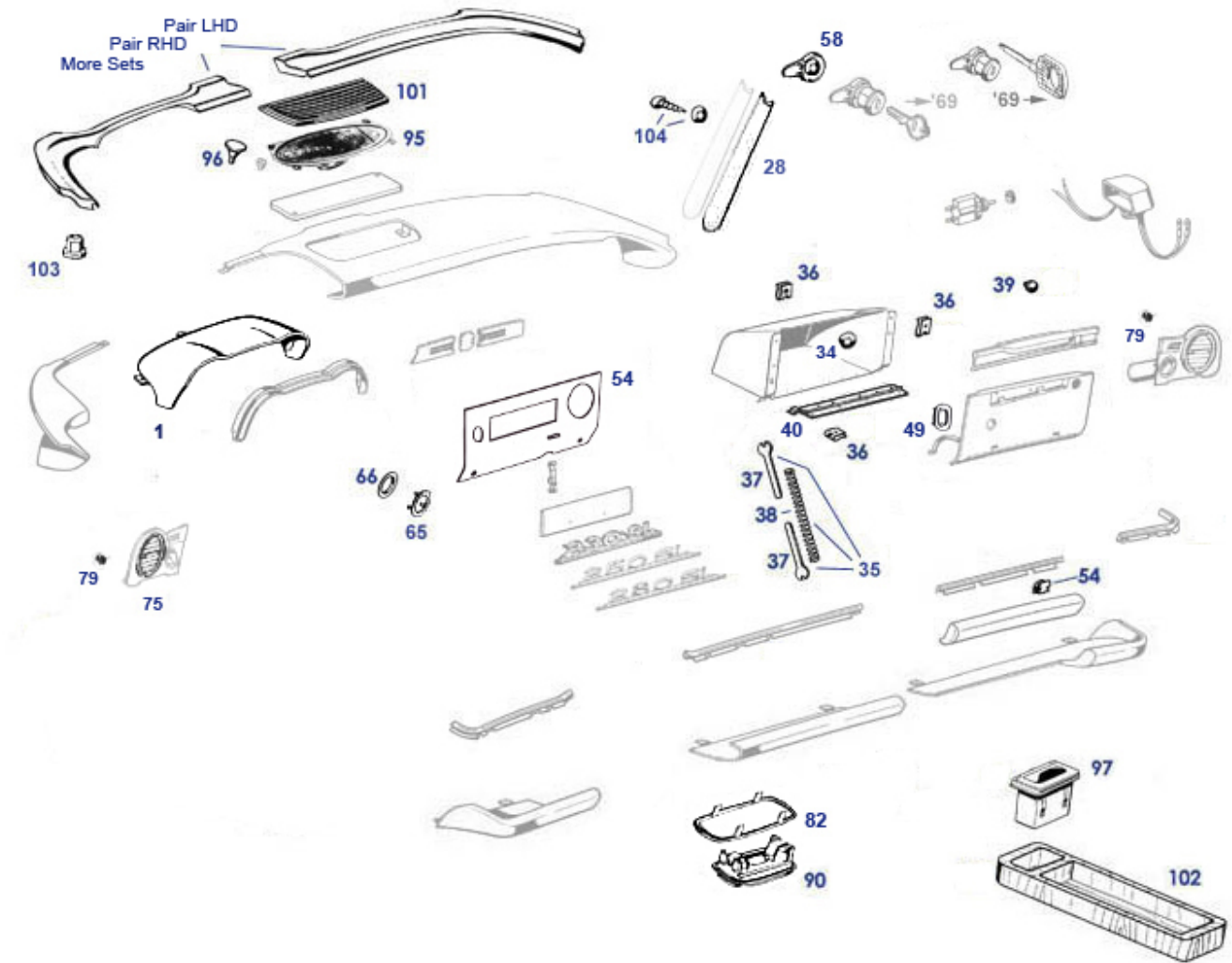
67 Windscreen 230SL 250SL 280SL



	M6 x12 bolt, counter sunk head DIN91, chromed	277266	7,46 €		Pair sunvisors 230SL, light repro	281730	385,58 €
1	Windshield/windscreen R113, clear	267501	315,35 €	1a	Windscreen R113, green, repro	269700	344,51 €
1	W/S glasstransp. incl. box(Germany)	967999	121,25 €	1	del-t: Windshield/windscreen R113, clear	267001	390,00 €
1a	Windscreen R113, green, repro, remaining stocks, discont.prod	269800	124,95 €	1b	Windshield R113, green + green sripe	269501	402,99 €
3	W/S seal, import quality	267800	79,99 €	3	Windshield seal 230-280SL	267000	99,95 €
4	Seal, A-pillar, L or R, needs t.b.cutte	272228	13,47 €	4	Seal, A-pillar, left/right side, needs to be cutted!	272220	25,88 €
10	Windscreen Chrome Surround - Right	267050	495,99 €	10	Windscreen Chrome Surround - Left	267040	495,99 €
11	Connecting piece, middle	267045	14,33 €	13	Blechsraube zB Einstieg unter Gummim.	288134	0,19 €
13	Raw brass covering, A pillar LH	268805	298,69 €	13	Raw brass covering, A pillar RH	268806	298,69 €
14	Raw brass covering, upper ws frame	267810	324,99 €	18	Escutcheon, roof lock	268023	136,53 €
20	Weatherstrip seal holder, Lt.	272725	382,61 €	20	Chrome rail, A-pillar, Rt.	272726	382,61 €
40	1 pair raw pillar covering inserts	267803	291,55 €	40	1 pair wood, raw base, a pillar W113 ->67	267704	327,25 €
40	1 pair raw pillar covering alu inserts	267703	357,00 €	41	Escutcheon fitting panelling screws diam 3,9	267014	0,89 €
50	Wood bow, 2-pce, LHD	267100	822,00 €	50R	Washer, Star/frame	288047	0,55 €
50R	Wood bow, on dashboard 2-pce, RHD	267101	569,27 €	50R	Fastener for window frame	267105	1,25 €
50	Wood bow, on dashboard, 2-pce, LHD	267700	447,89 €	60 Repro	Pin for sun visor from 1967	281739	29,16 €
60 Repro	Pair Sunvisors '67-> light repro	281735	348,43 €	60 Repro	Chrome bracket LH visor ->'67	281158	160,00 €
60 Repro	Chrome bracket, visor RH ->'67	281168	161,99 €	60	S'visor support, outer, 67->, RH	281160	89,90 €
60 Repro	S'visor support, outer, 67->, LT	281150	89,90 €	60 Repro	S'visor `67->, Lt.no mirr,no supp	281137	223,35 €
60 Repro	S'visor `67->, Rt.w. mirr,no supp,Repro	281136	223,35 €	60 Repro	Sunvisor ->67 LH w/o bracket, cream	281131	229,00 €
60 Repro	Sunvisor ->67 RH w/o bracket, cream	281132	229,00 €	61	Counter sunk screw 4,2x14, industrial chromed	799932	0,58 €
61	Bracket, sunvisor ->'67	281038	5,96 €	63	Square nut e.g. at 281039	281169	0,44 €
63	panel screw, lens head, 3,5x22 visorsup	281159	0,44 €	63	Bracket, sunvisor'67->,cream-grey	281039	13,64 €

68 Covering, insulation, wood

68.a Dashboard coverings

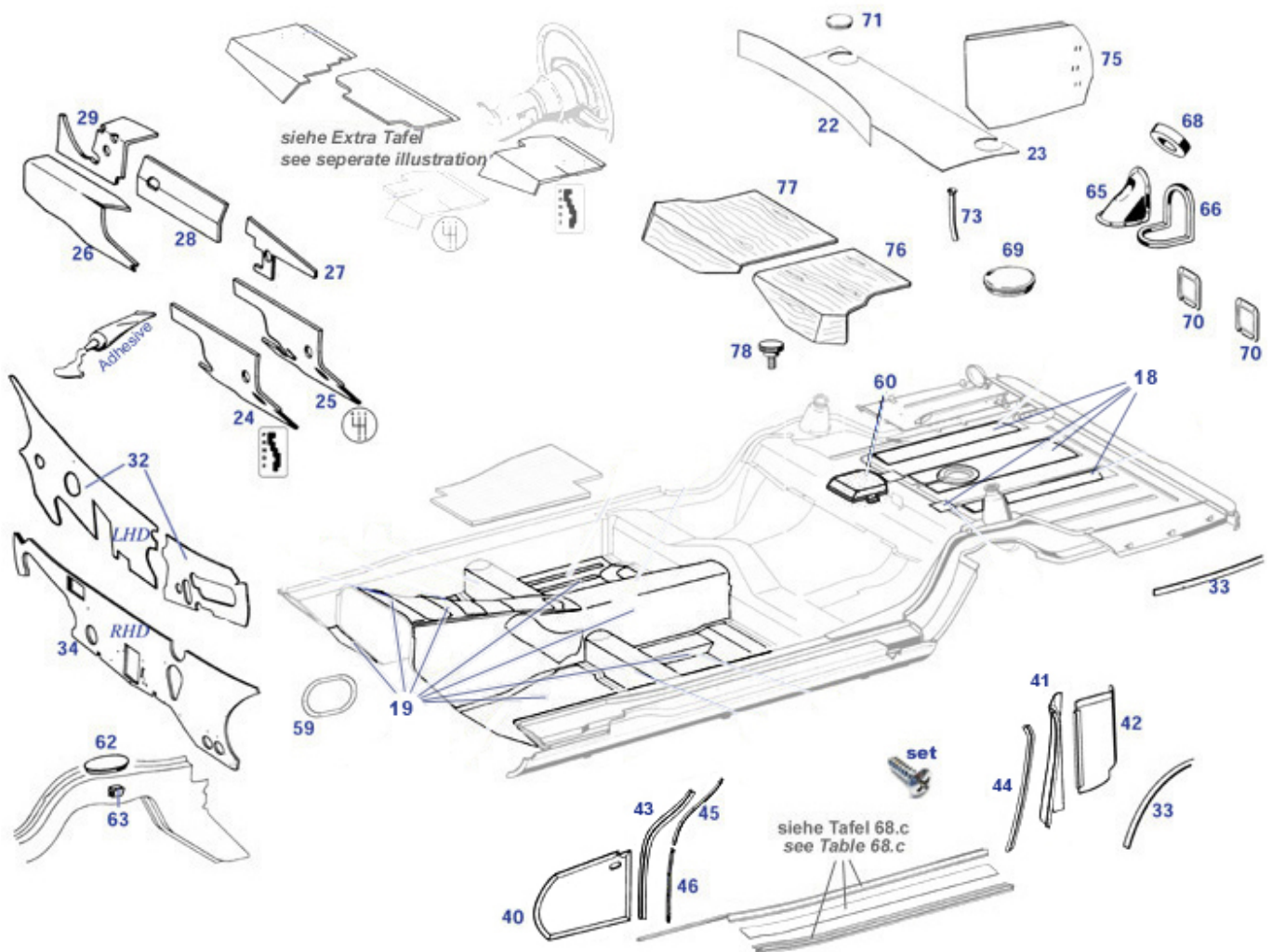


screw	Screw (sill to wheel arch)	288133	0,50 €		Metal Clip, covers,	268676	1,79 €
	Wood kit LHD 4-pcs repro	268720	1.249,50 €	LHD	Wood bow, 2-pce, LHD	267100	822,00 €
RHD	Wood bow, on dashboard 2-pce, RHD	267101	569,27 €		Plastic-clip universal/VW, may replace SLS 268726	968275	0,60 €
	Wood bow, on dashboard, 2-pce, LHD	267700	447,89 €		Bulb 12V / 10W, torpedo, total length 38	799081	1,46 €
1	raw inner shell, LHD dash section instruments	268803	524,79 €	28	1 pair wood, raw base, a pillar W113 ->67	267704	327,25 €
28	1 pair raw pillar covering alu inserts	267703	357,00 €	28	1 pair raw pillar covering inserts	267803	291,55 €
36	Spring clip nut, 4,2 e.g. glove box	299027	0,43 €	36	countersunk washer / screw escutcheon	373113	0,70 €
36	Spring clip nut, 4,2, e.g. wing 107,...	299028	0,33 €	37	Fork, glovebox lid	168070	8,09 €
38	Glove box closure spring	168071	10,82 €	39	Rubber plug, e.g. drain holes ca. 8mm	198005	1,55 €
40	Hinge strip LHD glovebox	268118	199,99 €	49	Escutcheon, dull, for link rod glove box	268249	36,00 €
54	Ctre section dashboard 230SL	268054	106,06 €	54	Clip, glovebox trim	268857	1,30 €
58	locking latch/link, glove box lock	268058	17,61 €	65	lock escutcheon up to '67, Brass, chromed	268741	14,68 €
65	lock escutcheon up to '67, Alu anodized	268041	7,98 €	65	Rest: escutcheon from '67, brass, chromed	268743	14,99 €
66	Rubber ring 1967 -> 07..1979 A1156890097	268044	4,61 €	66	Rubber pad, dec. ring, ->'67	268042	16,18 €
75	Air vent jet w. mesh, chrome	283070	350,92 €	79	round clips, vent bezels to dash	268143	14,29 €
82	frame underneath interior lamp	282680	18,39 €	90	Bulb 12V / 10W, torpedo, total	299094	0,51 €

90	Interior light HELLA,same as MB- Replacement	282920	31,33 €	90	length 44 Interior light, simplified	282020	11,90 €
95	Set mountg.-bits speaker pagoda, incudes mesh	268129	57,10 €	95	Oval loudspeaker 230-280SL	268015	143,60 €
95	Set mountg.-bits speaker pagoda	268109	29,99 €	95	Large sheet, speaker protection fabric 1400 x 700	268128	45,22 €
96	Rubber buffer 5mm,121,113,10	298066	0,89 €	97	Ash tray, black	281800	174,93 €
97	Ashtray in special colour	280980	292,50 €	97	Ash tray, black	281000	267,61 €
101	Countersuk screw eg wood grille	267109	0,50 €	101	Speaker grille, wood R113	268017	350,65 €
102	Wood box, tranms. Tunnel	284700	296,89 €	103	Washer, Star/frame	288047	0,55 €
103	Fastener for window frame	267105	1,25 €	254101	A0015450211 Contact switch, glovebox	254101	402,03 €

68.b Mats, Noise Reduction

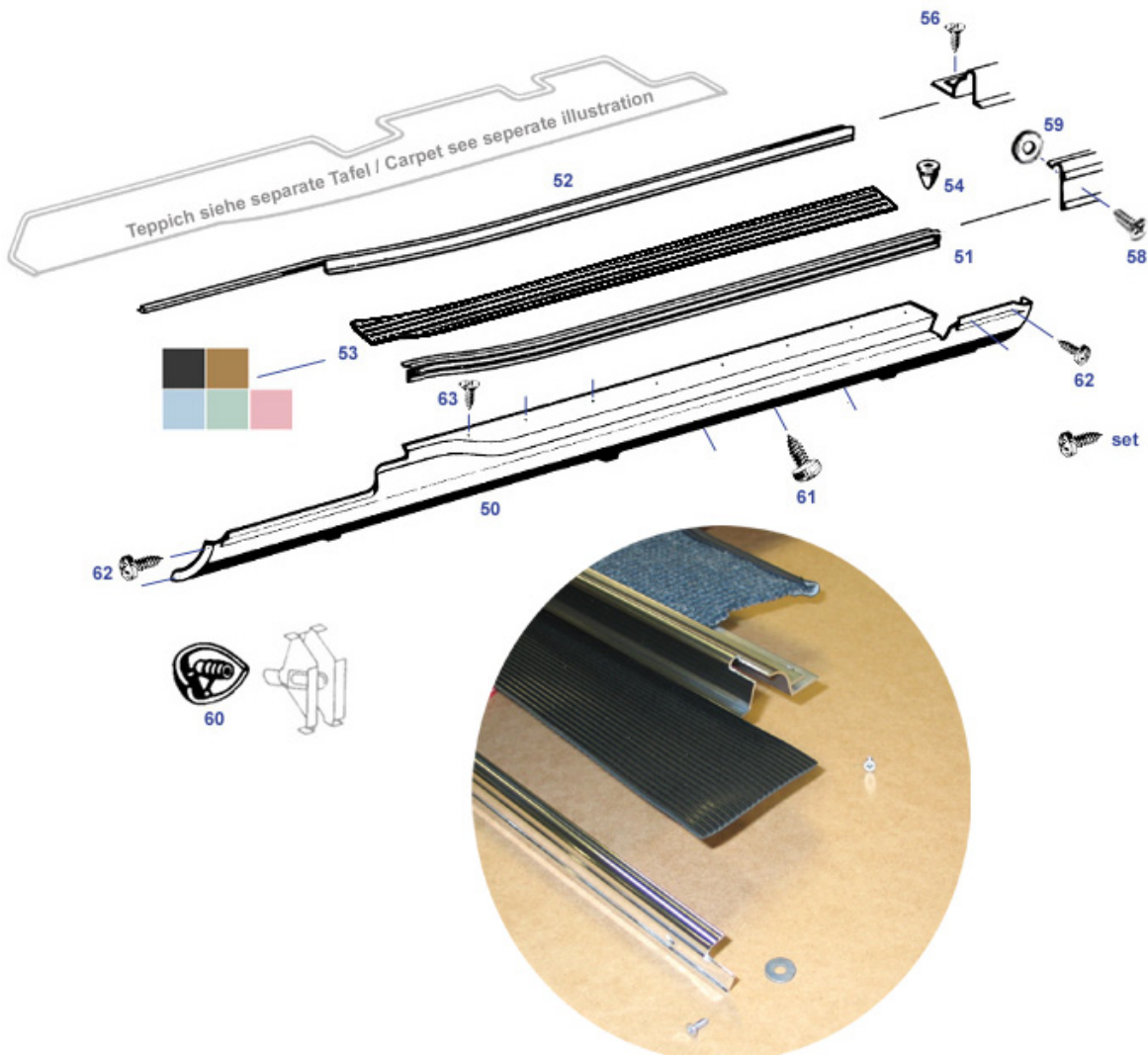
68.b Mats, Noise Reduction



	lower plate, tunnel closure + gearbox carrier, Repro	268603	737,80 €	n/a: pad, insulation near trunk wiring	268192	5,38 €
Adhesive	no parcel service possible: glue 250ml	968027	7,08 €	Rubbermat trunk from VIN, B-quality,res	268700	284,29 €
	Curled nut, wooden covering	268739	39,20 €	Speaker, 113 footwell, if "Stereo"	268215	118,76 €
	rubber boot mat, late	268702	405,55 €	Bit.mat, boot(trunk)LH/RH	268191	9,95 €
	Metal Clip, covers,	268676	1,79 €	18 Set boot floor insulation mats W113	268773	89,99 €
19	Set interior insulation 280SL LHD	268772	583,99 €	19 Set interior insulation 230SL	268771	599,99 €
19	1sqm mat, Terodem SP300 self adhesive	968170	75,45 €	22 Pad, rear compt.fr.wall	268194	13,45 €
23	Insulation lower box cover	268193	80,63 €	23 2 pcs. softtop box damping, simple quality	268893	58,55 €

24	Insulation mat,bulkhead LT lower LHD-ma	268198	59,44 €	25	Insulation mat, firewall Lt. lo	268208	57,61 €
26	Insulation mat, firewall Rt. lo	268199	58,66 €	27	Insulation mat, firewall Lt. up	268195	35,00 €
28	Insulation mat, firewall ctre.	268196	29,07 €	29	Insulation mat, firewall Rt. up	268197	45,35 €
32	Firewall mat LHD, Material 13mm	268530	249,90 €	32	Firewall insulation, geometr.pattern,LH	268830	399,99 €
33	Multi-Purpose Adhesive Insulation Seal	298001	9,40 €	34	Firewall Insulation RHD	268726	129,04 €
40	raw wooden fibre card, LH footwell covering	268031	19,99 €	40	raw wooden fibre card, RH footwell covering	268032	19,99 €
41	Raw blank inner cover B-pillar LH	269165	155,00 €	41	Raw blank inner cover B-pillar RH	269166	155,00 €
42	Cover plate , rear, left	269170	174,99 €	42	Cover plate , rear, Rt.	269180	174,99 €
43	set of 4 insulation strip, door pillars, black leather	272890	199,99 €	45	Dec.strip, A-pillar, upper	272837	61,75 €
45	Dec.strip, A-pillar, upper	272838	61,75 €	46	Ctr sunk screw @ 272033/044/300/400	272034	1,44 €
46	Dec.strip, A-pillar, lower	272836	170,00 €	46	Dec.strip, A-pillar, lower	272835	170,00 €
59	Covering, tunnel near gearbox	268069	37,96 €	59	Metal cover round, strut, sp.tyre well, ..	268070	7,70 €
59	Tapping screw Phillips 4,2x9,5	799936	0,15 €	60	Rivet,for cover in boot	269034	0,35 €
60	cover rear cross member, above axle mount	269832	31,90 €	62	Cover, front subframe mount	268010	11,90 €
63	Clip,cover	268009	1,74 €	65	Cover plate, filler neck	269020	31,77 €
66	Edge protection profile mtr, eg trunk	269010	3,80 €	68	Foam sealing ring, filler neck->boot	269030	7,13 €
69	round cover above fuel sender,Repro	247814	5,20 €	69	Cover above fuel sender, plastic,black	347014	7,79 €
70	cover, rear panel, inner	269033	43,61 €	73	Run-off / drip hose, S/T compartment	279032	11,25 €
75	Left Trunk Cover Paper Board+foam	268611	88,88 €	75	Right Trunk Cover Paper Board+foam	268610	88,88 €
76	raw wooden floors, pair	268735	599,99 €	76	Wooden floor rear lt	268330	623,99 €
77	Wooden floor rear rt	268340	655,10 €	78	Knurled screw, wooden covering	268839	31,05 €

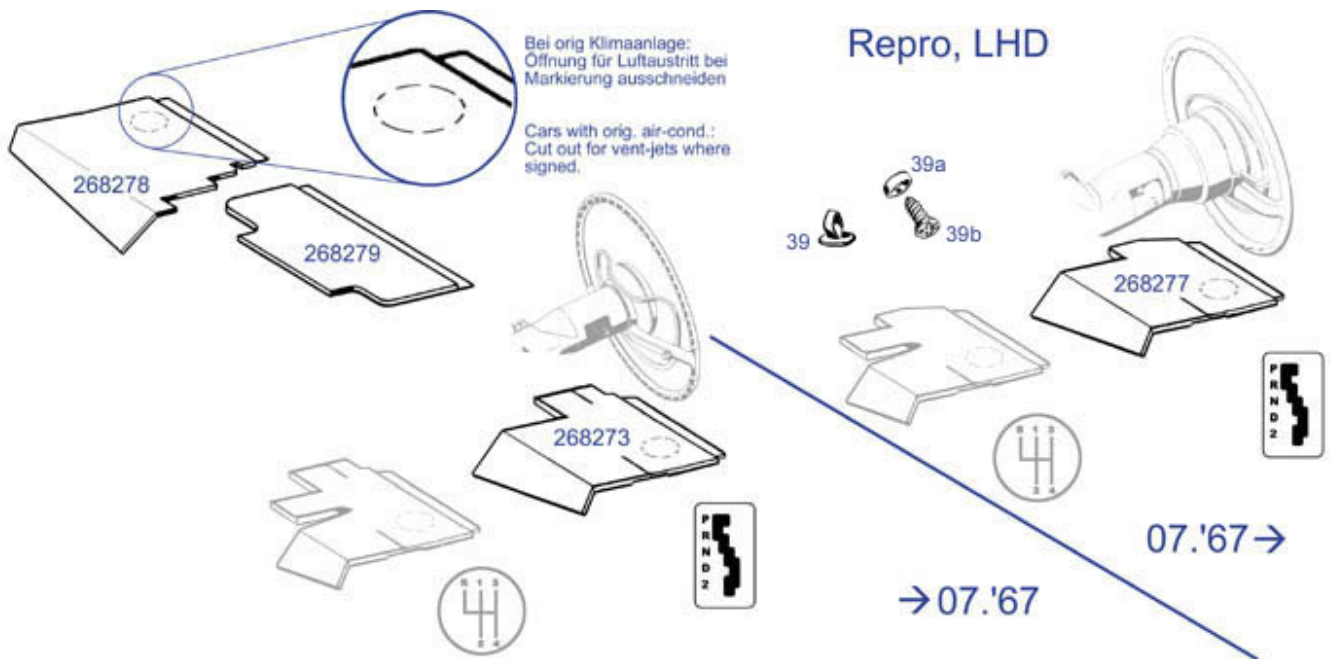
68.c Rockerpanel and trim



50	Threshold panel R113, '65-'71 RH	288080	208,67 €	50	Threshold panel R113, '65-'71 LH	288070	208,67 €
51	Moulding set 4pcs 230-280SL	268880	564,55 €	51	Cover rail,thresh.,outer Lt.	268130	118,55 €
51	Cover rail, thresh.,outer Rt.	268140	118,55 €	52	Cover rail, thresh.,inner Lt.	268150	150,29 €
52	Cover rail, thresh.,inner Rt.	268160	150,29 €	53	Mat, entry panel RH, cream color, B	268062	32,50 €
53	Mat dark blue-grey 1200x130 rubber grov	268869	109,00 €	53	Mat, entry panel LH, cream color, B	268061	32,50 €
53	Rubber mat, black Repro, rocker RT	268866	20,61 €	53	Rubber mat, black repro, rocker LT	268865	20,61 €
53	1 pair Mat, red, 1200x130 rubber, groove	268867	109,00 €	54	Rubber buffer 5mm,121,113,10	298066	0,89 €
58	panelling screw, phillips, chromed	268133	1,32 €	59	Washer, entry trim strip,fr.	268132	0,18 €
60	Cap, jack hole 230-280SL	289008	13,74 €	61	Screw 3,5 x 9,5, see picture	288081	0,32 €
62	Screw (sill to wheel arch)	288133	0,50 €	63	Blehschraube zB Einstieg unter Gummim.	288134	0,19 €

68.d Covering under dashboard

68.d Covering under dashboard



	frame underneath interior lamp	282680	18,39 €	39b	Screw @ front grille	188071	1,54 €
39a	Washer, chrome, high shape, fits up to 4mm screws	288013	2,99 €	39	Metal Clip, covers,	268676	1,79 €
268273	Cover Paper, Lt. ->'67 autom. LHD	268273	51,53 €	268277	Cover Paper, Lt. '67-> autom. LHD	268277	51,53 €
268278	Cover Paper, Rt, 113 standard LHD	268278	47,66 €	268279	Cover Paper, mid.113 standard LHD	268279	46,36 €

68.e Floor mats, info and attached parts

68.e Floor mats, info and attached parts

Teppich: Beispiel für Lieferumfang und Befestigungsteile

Abbildung: frühe Fahrzeuge mit Gummimatten vorn
(kein Teppich auf vorderen Böden)

Illustration: early cars, front rubber mats
(no carpet in frt. footwell)

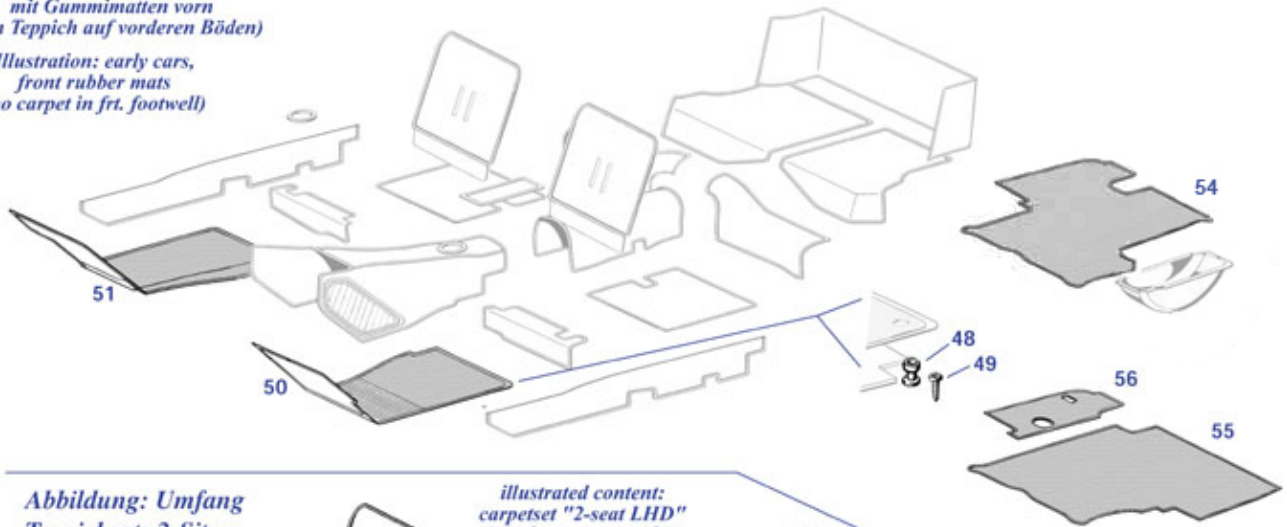
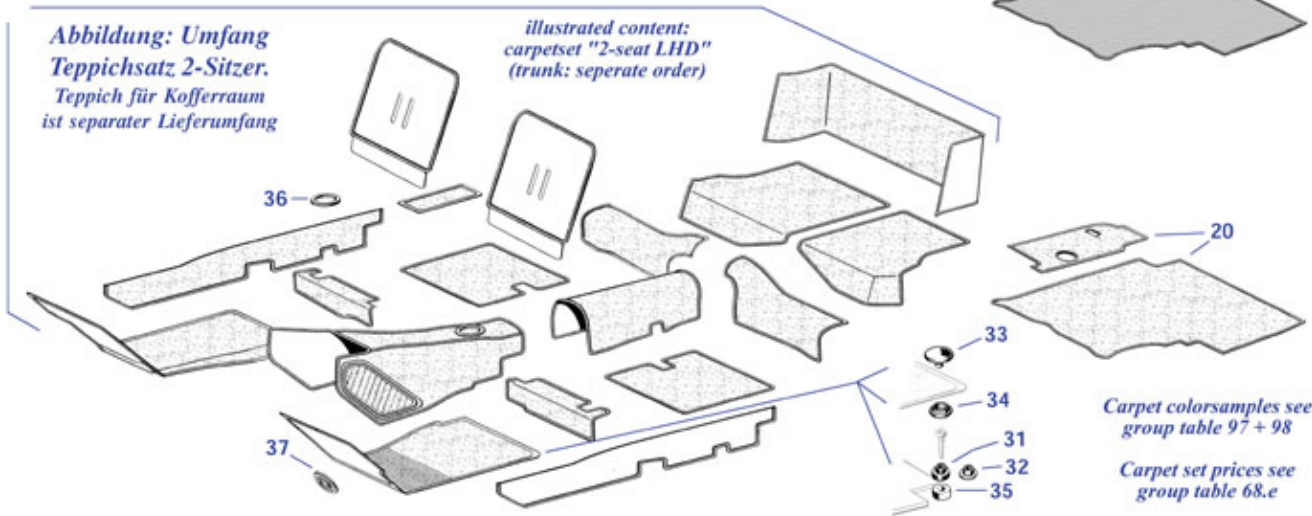


Abbildung: Umfang Teppichsatz 2-Sitzer.
Teppich für Kofferraum ist separater Lieferumfang

illustrated content:
carpetset "2-seat LHD"
(trunk: seperate order)



Carpet colorsamples see group table 97 + 98

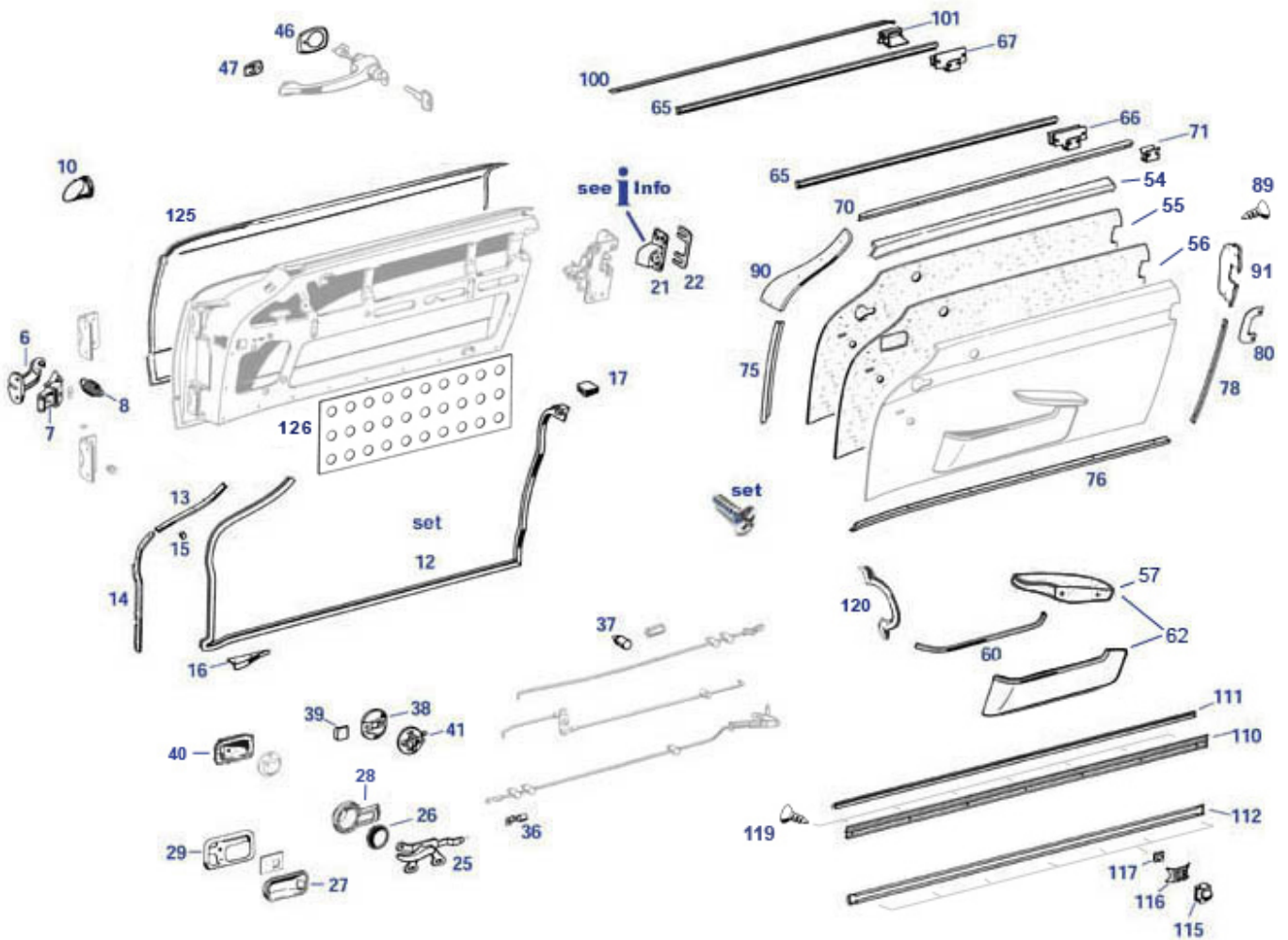
Carpet set prices see group table 68.e

	round cover above fuel sender,Repro	247814	5,20 €		Cover above fuel sender, plastic,black	347014	7,79 €
20	Protection, boot mat early	268301	49,50 €	32	Ball to screw, part of snap	177003	0,43 €
33	Cap part of snap	177005	1,79 €	34	Spring eye part of snap	177006	0,39 €
37	Carpet, rubber, impr. beige	268081	5,58 €	37	Carpet, rubber, impr. dk. brown	268082	5,58 €
37	Carpet, rubber, impr. red	268084	5,58 €	37	Carpet, rubber, impr. light brown	268080	5,58 €
37	Carpet, rubber, impr. green	268079	5,58 €	37	Carpet, rubber, impr. blue	268078	6,90 €
37	Carpet, rubber, impr. light grey	268077	6,90 €	37	Carpet, rubber, impr. black	268076	5,46 €
48	Knob(1pce),e.g.rubbermats	268105	4,94 €	49	Screw 4,2 x 25	268104	0,30 €
54	Gummimatte Kofferraum früh /Rad stehend	268701	387,35 €	55	Protection, boot mat late	268302	49,90 €
55	rubber boot mat, late	268702	405,55 €	55	Rubbermat trunk from VIN, B-quality,res	268700	284,29 €
56	Rubber mat, boot, RT, black reproductio	268400	23,18 €	56	Rubber pan, jack storage support (foot)	259998	18,21 €

72 Door

72.a Door

72.a Door

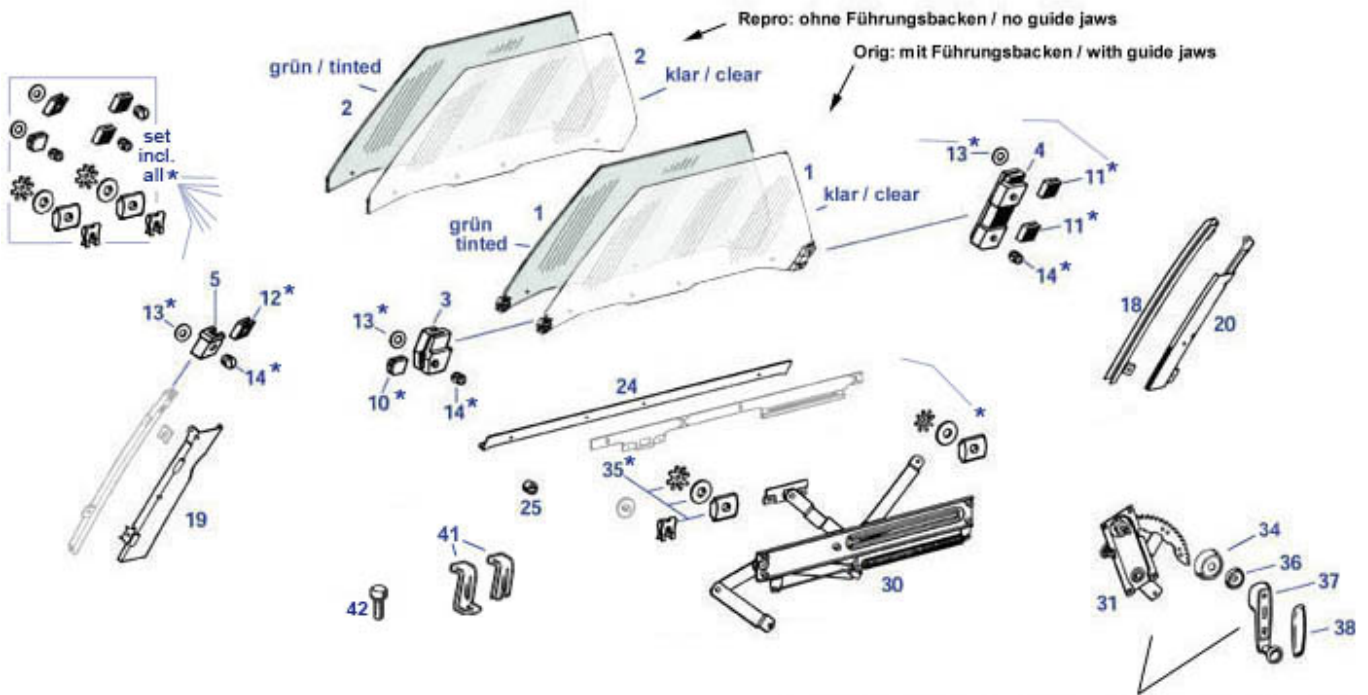


	Dec.strip, A-pillar, upper	272837	61,75 €		Dec.strip, A-pillar, lower	272836	170,00 €
	Screw countersunk, 3,9 x 22	999994	2,28 €		steel, sandblasted, upper part of cover structure LH, B-Quality	B272137	95,20 €
	Screw @ front grille	188071	1,54 €		Dec.strip, A-pillar, upper	272838	61,75 €
	Dec.strip, A-pillar, lower	272835	170,00 €		Dec. strip, ALU R113 @ door RH, repro	272672	99,00 €
	Set rubbers, glasses into lower rails	272775	67,70 €		Locking cylinders set, up to 05.1969	289808	899,99 €
	set of 4 insulation strip, door pillars, black leather	272890	199,99 €	6	Catch,doorcheck, Lt./Rt.	272060	136,85 €
7	Doorcheck, Lt. / Rt.	272061	176,35 €	7	roll, door stop repair	272079	29,75 €
8	Tension spring,doorcheck	272054	9,97 €	10	Plug, rubber	272840	5,68 €
12	Door seal 230-280SL rightrepro	272820	77,10 €	12	Door seal 230-280SL left repro	272810	77,10 €
12	Seal, door 230-280SL, Lt.	272100	149,99 €	12	Seal, door 230-280SL, Rt.	272200	149,99 €
13	Seal holder,front upper Lt.	272041	70,32 €	13	Seal holder,front upper Rt.	272042	70,32 €
14	Seal holder,front lower Rt.	272046	183,08 €	14	Seal holder,front lower left side	272045	183,08 €
14	Left Upper Retaining Rail	272841	145,66 €	14	Right Upper Retaining Rail	272842	145,66 €
15	Spacer bushing	272043	3,45 €	15	Chromed screw countersunk eg.door panel	172199	0,83 €
17	Rubber buffer @ soft top, Rt.	272286	38,85 €	17	Rubber buffer @ soft top, Lt.	272285	38,85 €
20	lock mechanism LH, no prot-lock	172049	459,99 €	20	lock mechanism LH, w. prot-lock	272050	478,39 €
20	lock mechanism RH, no prot-lock	272051	432,21 €	20	late lock mechanism RH, no prot-lock	272062	457,70 €
20	late lock mechanism LH, w. prot-lock	272063	572,25 €	20	lock mechanism RH, no prot-lock	172048	399,45 €

21	screw	299046	0,77 €	21	Screw, 6x16 e.g. door catch, ..	777021	1,24 €
21	Door catch LH, ca. 06.'69 to 08.'85	272621	107,10 €	21	Door catch RH, ca. 06.'69 to 08.'85	272620	107,10 €
21	Door catch RT. 07.61->'67 3-hole	272022	91,25 €	21	Door catch Lt. R113 07.61->'67 3-hole	272055	91,45 €
22	Distancer, milled, ca. 1,55mm	172075	40,11 €	22	distancer 0,5mm flat , door catch '69->	872012	4,76 €
22	Distancer, milled, ca. 1,15mm	172073	27,16 €	22	Distancer, 1,5mm, door catch '69->..	572012	4,76 €
22	Distancer, milled, ca. 1,35mm	172074	35,05 €	25	Locking washer M6	299273	0,21 €
25	Opener handle inner RH ->'67 (230,250FN)	276112	174,76 €	25	Opener handle inner LH ->'67 (230,250FN)	276111	174,76 €
25	Opener handle inner LH '67-> (250FN,280)	276011	289,99 €	25	Phillips screw, half-round head, M6 x 16	990109	0,34 €
25	Opener handle inner RH '67-> (250FN,280)	276012	289,99 €	26	Insert opener handle, round style	276855	11,72 €
27	A1087660390 Insert, late FN, Lt.	276009	19,99 €	27	Late right Insert black 250-280SL	276010	19,99 €
28	Escutcheon, opener handle RH ->'67 optical error on the inside	276060	129,70 €	28	Escutcheon, fits opener handle LH ->'67	276050	129,70 €
29	Opener chrome surr. from 67, orig	276007	27,97 €	29	countersunk head srew M4X8, zinc plated	276098	0,12 €
36	clips for door actuator link wires	198004	27,04 €	37	Rubber rod guide 190SL, R113, 111Cpe/Cab	298705	5,95 €
37	Rubber rod guide 190SL, R113, 111Cpe/Cab	298005	5,55 €	38	Door lock escutcheon plate	176066	78,53 €
38	countersunk head screw M3X8 stainless steel, door lock	276099	0,41 €	39	Chrome cover @ lock-lever	172868	15,10 €
39	Cover tab chromed for 176066	172168	9,98 €	40	Recess, 280SL, 250SL 02980->	276013	162,48 €
41	Spring washer M4, e.g. trim fixing	799918	0,12 €	41	Locking handle assy. inner door ->'67 R	172194	109,78 €
41	Locking handle assy, inner door ->'67 L	172193	109,78 €	46	Rubber handle-tail, 113:LH / 111:RH	276810	5,68 €
46	Rubber handle-tail, 113:RH / 111:LH	276820	5,68 €	47	Rubber handle-frt, 113:LH / 111:RH	276830	4,97 €
47	Rubber handle-frt, 113:RH / 111:LH	276840	4,97 €	54	collar RH, upper part of door cover structure	272138	155,00 €
54	collar LH, upper part of door cover structure	272137	155,00 €	55	Stiffening, Rt. up to year '67	272128	57,77 €
55	Stiffening, Lt. ->'67	272127	60,99 €	56	Door cover stiffening, 67->	272832	43,77 €
56	Door cover stiffening, Rt. 67->	272132	49,09 €	60	Moulding, front door, Lt.	272069	134,83 €
60	Moulding, front door, Rt.	272068	134,83 €	62	Set box+handle door conv. EUR LH	272135	293,56 €
62	Set box+handle door conv. Eur RH	272136	293,56 €	65	1m brush profile? Window Scraper Seal - 1157250965	872500	21,19 €
66	Clip, brush inner (113: 10x req)	272951	1,90 €	67	clip, brush, outer (10x req)	272952	1,88 €
70	Dec. strip, inner upper Rt.	272006	96,58 €	70	Dec. strip, inner upper Lt.	272005	96,58 €
71	clip trim/dec. strip	272013	0,45 €	75	Screw, R/C107, R113	272724	0,51 €
75	panelling screw, phillips, chromed	268133	1,32 €	80	complete screw set, chrome plated	299233	399,90 €
80	Countersunk screw M4 x 8 chrome eg lock esc	299042	0,71 €	80	1 pair door catch garnish 113,111Cab/Cp,C107 early	272815	109,00 €
80	Screw, door catch surround M4 x 10	777029	1,90 €	89	Ctr sunk screw @ 272033/044/300/400	272034	1,44 €
90	raised countersunk head tapping screw chrome plated 2,9X9,5	272727	1,05 €	90	A1137280321 Chromed cover, front Lt.	272030	125,50 €
90	A1137280421 Chromed cover, front Rt.	272040	125,50 €	91	Chromed cover, door rear, left	272300	294,17 €
91	Chromed cover, door rear, right	272400	294,17 €	100	Left/Right Door Chrome Trim Strip	272230	348,35 €
101	Clip, door strip, outer	272011	4,90 €	110	Dec. strip, R113 @ door, Rt., chromed brass	272260	310,00 €
110	Dec. strip, R113 @ door, Lt, chromed brass	272250	360,00 €	111	1m Rubber profile @ heavy trims	272266	8,33 €
115	Clip, dec. strip, plastic	269161	1,55 €	116	Lock washer, alu. dec. strip	272283	0,71 €
117	Plug, for dec. Strip	272281	0,86 €	119	Screw for chrome strips	269164	0,13 €
120	Handle, e.g. Hardtop	281004	233,00 €	125	Outer rep. panel door LH, Alu	272709	495,04 €
125	Outer rep panel, door RH, Alu	272710	495,04 €	126	Insulation, adhesive, at door skin inside, SL113	272168	43,34 €
126	Dämmung selbstklebend 2mm x 1,6qm	968171	119,99 €	129	Bolt, lock linkage, doors from 1967	298006	18,94 €

72.c Door Window

72.c Door Window



3 Generationen ! Knopfänderung 1967, Verbindung Kurbel auf Welle wurde Januar 1970 geändert. Montage von Teilen verschiedener Generationen ggf. nicht möglich.

3 Generations ! Knob design changed 1967, connection lever-to-shaft changed Jan.. 1970. No fitment of mixed up parts

2 kl	Door glass LH clear, w/o guide jaws	272703	284,99 €	2 kl	Door glass RH clear, w/o guide jaws	272704	284,99 €
2 gn	Door glass 113 LH, green, no brackets	269703	290,00 €	2 gn	Door glass 113 RH, green, no brackets	269704	290,00 €
3	guide jaw front left glass end,w/o attachmt	272824	29,18 €	3	Guide jaw windw. frt RT	272825	29,18 €
4	guide jaw RH glass rear, w/o attachment	272823	21,50 €	4	guide jaw left glass rear,w/o attachments	272822	21,50 €
5	Guide jaw, Rt., guide rail	272010	142,80 €	5	Guide jaw, left, guide rail	272009	142,80 €
10	Slide, Rt., front, window	270628	5,36 €	10	Lower left front Retainer Insert	270629	5,36 €
11	A1137250834 Slide, Rt., rear, window	270624	5,36 €	11	A1137250734 Slide, Lt., rear, window	270625	5,36 €
12	Slide, Rt., front, rail	270626	5,36 €	12	Slide,front left, rail	270627	5,36 €
13	Rubber washer,adjusted slide rail inser	270723	0,99 €	14	Grub screw	270722	6,66 €
14	Grub screw, locking is missing	270822	0,96 €	18	Guide rail, rear, right	272720	59,50 €
24	Set rubbers, glasses into lower rails	272775	67,70 €	25	1m hose 1/4" x 1,5 e.g glass mount	272875	1,82 €
25	Rubber sleeve for door glass	272075	2,30 €	30	Spring, window lifter	272115	42,52 €
34	Chr. escutcheon,->'67, "B"-quality	276006	69,02 €	35	Washer Kit for Mounting Window Regulator - 1237200114	272752	10,88 €
37	Window crank handle 63-70 replacemt	276901	49,50 €	37	Handle w.knob, ca. 1970-1976	276004	41,50 €
37	Handle MB,W123-design, usable '70-'82	776001	3,67 €	37	Window crank 1967 - 02.1970	276003	49,50 €
37	Window crank handle 63-70 replacemt	276001	133,64 €	38	Crank Pad 06.63->01.70 black	276090	14,99 €
41	Stopper brackets, doorglass, 1 pair	272747	60,79 €	42	Hex Nut M6 flat shaped	299291	0,37 €

72.d Info window crank handle

72.d Info window crank handle



230SL,
250SL -> 002979
(64->07.67)



250SL 002980->,
280SL ->015518
(07.67->01.70)



280SL 015519->,
R/C107...
(01.70->05.76)



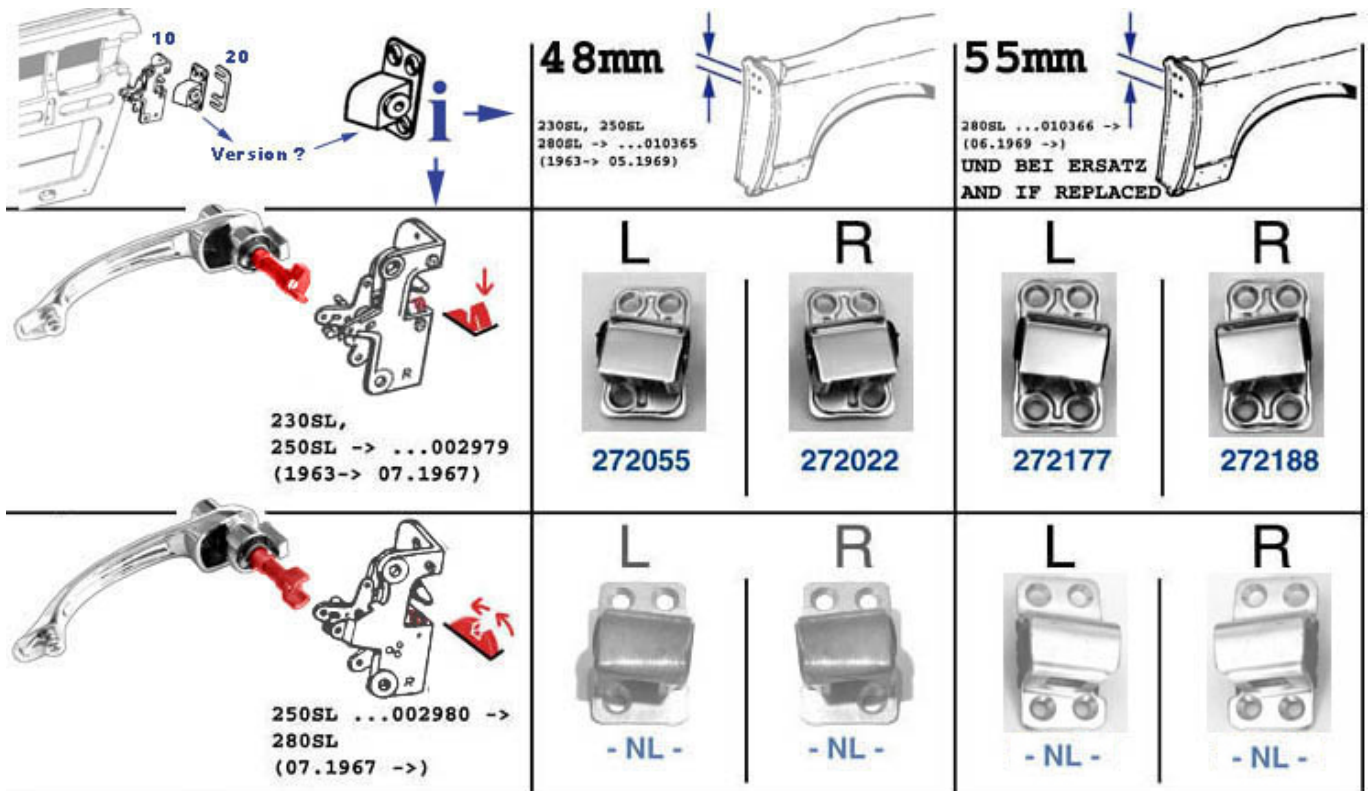
05.76->08.82



	Handle w.knob, ca. 1970-1976	276004	41,50 €	276001	Window crank handle 63-70 replacem	276001	133,64 €
276001	Window crank handle 63-70 replacem	276901	49,50 €	276003	Window crank 1967 - 02.1970	276003	49,50 €

72.b Info Door Catch

72.b Info Door Catch



"m.Sp." = Schlossmechanismus mit SPERRE GEGEN SELBSTAUSSCHLIEßEN
 bedeutet: die FAHRERSEITIGE TÜR lässt sich nicht im verriegelten Zustand zuschlagen



"m.Sp." = Locking mechanism avoids locking out yourself
 means: impossible to slam the locked (drivers side) door

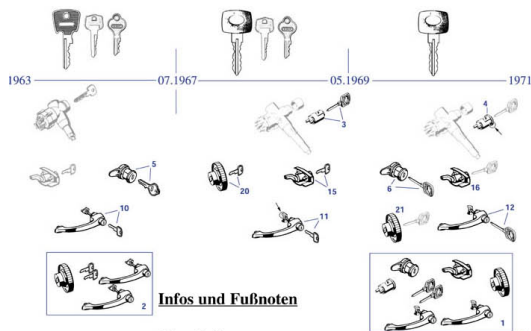
Die Liefersituation von Neuteilen ist leider veränderlich, bitte aktuell erfragen. Bei der Suche nach
 Gebrauchteilen kann auf ggf. andere Mercedes-Typen ähnlichen Baudatums ausgewichen werden,
 auch Limousinen. Bei Unsicherheiten beraten wir Sie gern.

The availability of new lock mechanism parts is fluctuating. When required you may luckily find
 used parts from MB-vehicles of similar production date. Don't hesitate to require advisory service.

	Locking cylinders set, up to 05.1969	289808	899,99 €	10	late lock mechanism RH, no prot-lock	272062	457,70 €
10	Door lock,late FN+ catch, RH	272049	236,56 €	10	late lock mechanism LH, w. prot-lock	272063	572,25 €
18	lock mechanism LH, w. prot-lock	272050	478,39 €	18	lock mechanism RH, no prot-lock	272051	432,21 €
20	Distancer, milled, ca. 1,35mm	172074	35,05 €	20	Distancer, 1,5mm, door catch '69->..	572012	4,76 €
20	distancer 0,5mm flat , door catch '69->	872012	4,76 €	272020	Door catch RH, ca. 06.'69 to 08.'85	272620	107,10 €
272021	Door catch LH, ca. 06.'69 to 08.'85	272621	107,10 €	272022	Door catch RT. 07.61->'67 3-hole	272022	91,25 €

89 Locking System

89 Locking System



Infos und Fußnoten

Einzelteile

Wie abgebildet sind Zylinder und Zylindereinzelteile der Tür- bzw. Kofferraumschlösser nicht separat erhältlich.

Bis FN (7) Einzelteile meist mit zufälliger Schließung und neuem Schlüssel („Werkstattausführung“)

Auf Wunsch können Teile passend zur fahrzeugspezifischen Schließung bestellt und angefertigt werden.

Bitte senden Sie uns dazu

- Fahrgestellnummer
- Eigentumsnachweis über das Fahrzeug
- Ihren Auftrag an uns schriftlich
- Schließnummer
- Datenkarte und/oder Schloss-Hersteller (HUF oder YMOS)

Mit mehrwöchiger Lieferzeit muss gerechnet werden, insbesondere wenn die Schließnummer ermittelt werden muss.

Ab FN (8) - Einsatz, Hauptschließung: nicht alle Einzelteile in Werkstattausführung lieferbar. Die o.g. Angaben sind dann generell erforderlich.

3	Lenkschloss-Zylinder mitte (4,11), zufällige Schließung	246054
4	Lenkschloss-Zylinder spät (12), für Fzg.-Schließung	246074
5	Handschuhkastenschloss 230-250SL, 280SL früh (7)	268055
6	Handschuhkastenschloss 280SL spät (8)	868055
10	Türgriff früh (3) links, zufällige Schließung	276100
	Türgriff früh (3) rechts, zufällige Schließung	276200
11	Türgriff mitte (4,7) links, zufällige Schließung	276102
	Türgriff mitte (4,7) rechts, zufällige Schließung	276202
12	Türgriff 280SL spät (8) links, zufällige Schließung	276104
	Türgriff 280SL spät (8) rechts, zufällige Schließung	276204
15	Heckschloss mitte (2,7), zufällige Schließung	275030
16	Heckschloss 280SL spät (8), für Fzg.-Schließung	275032
20	Chrom Tankdeckel früh (7), zufällige Schließung	147010
21	Chrom Tankdeckel 280SL spät (8), für Fzg.-Schließung	147009

Schließsätze zufällige Schließung („Werkstattausführung“)

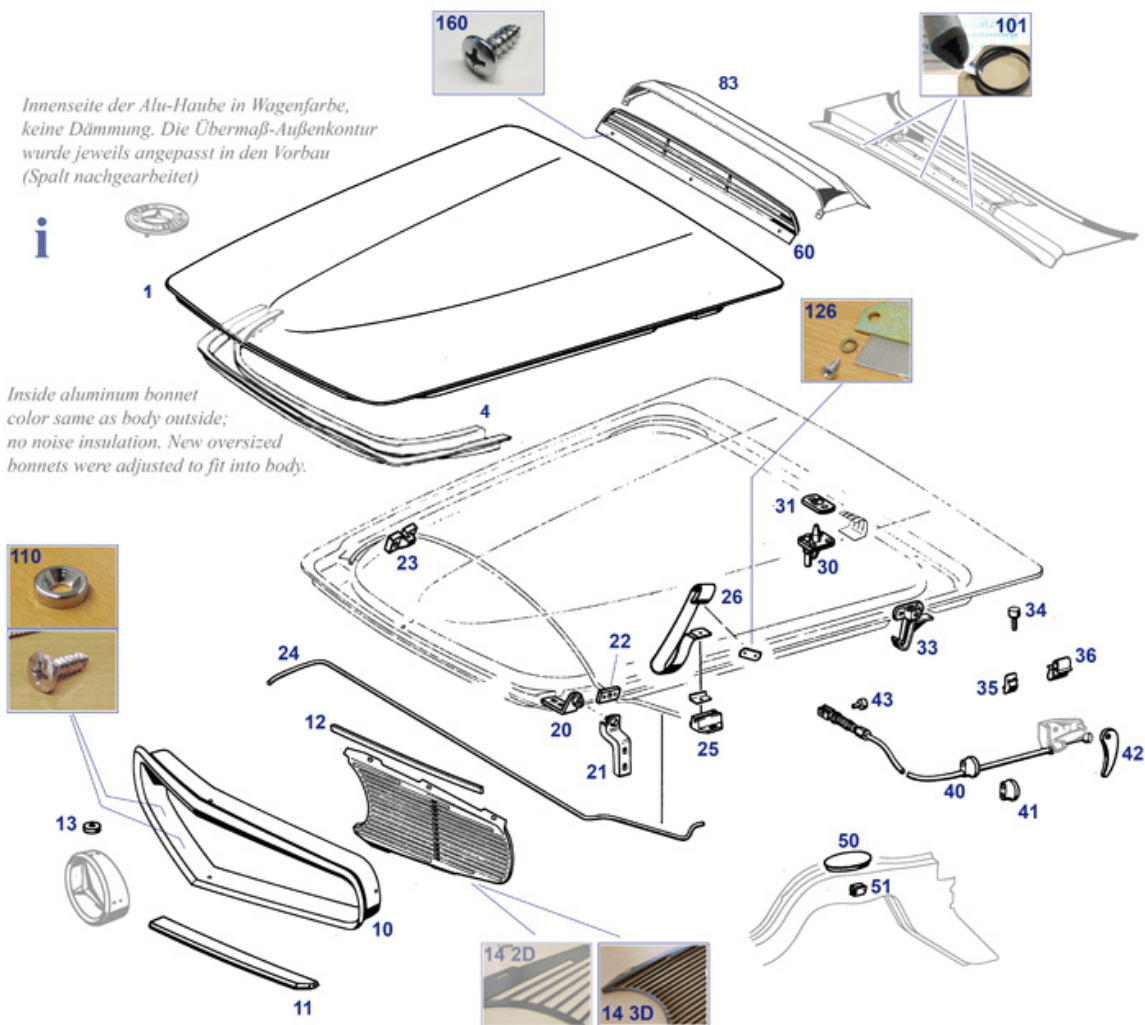
1	komplett Satz 280SL spät (12) mit Hauptschließung	289110
	Umrüstung ist ab 250SL (4) und 280SL möglich. Bis 280SL früh (12) passt der mitgelieferte Lenkschlosszylinder aber nicht zum Schlossgehäuse. <i>Tipp: Zyl.-Innentteile tauschen.</i>	
2	Satz Tür und Tankdeckel früh (3) nur „Pagen-Bereich“	289100

SLS Fußnoten bezogen auf standard-LHD-Fahrzeuge mit orig. Ausstattung. Ausnahmen bei Export (USA)

- (1): 230SL früh: Heckschlossgehäuse große Ausführung; Achtung: aktuelles Ersatzteil „Heckbeplankung“ hat kleine Bohrung.
- (2): 230SL ab FG ...? neu: Heckdeckelschlossgehäuse verkleinert.
- (3): 230SL, 250SL bis FG ...002979 / bis Juli 1967
- (4): 250SL ab FG ...002980 / ab Juli 1967
- (7): 280SL bis FG ...010355 / bis Mai 1969
- (8): 280SL ab FG ...010356 / ab Mai 1969
- (11): 280SL bis FG ...012689
- (12): 280SL ab FG ...012690

75, 88 Trunk, Softtop-Box, Bonnets/Lids

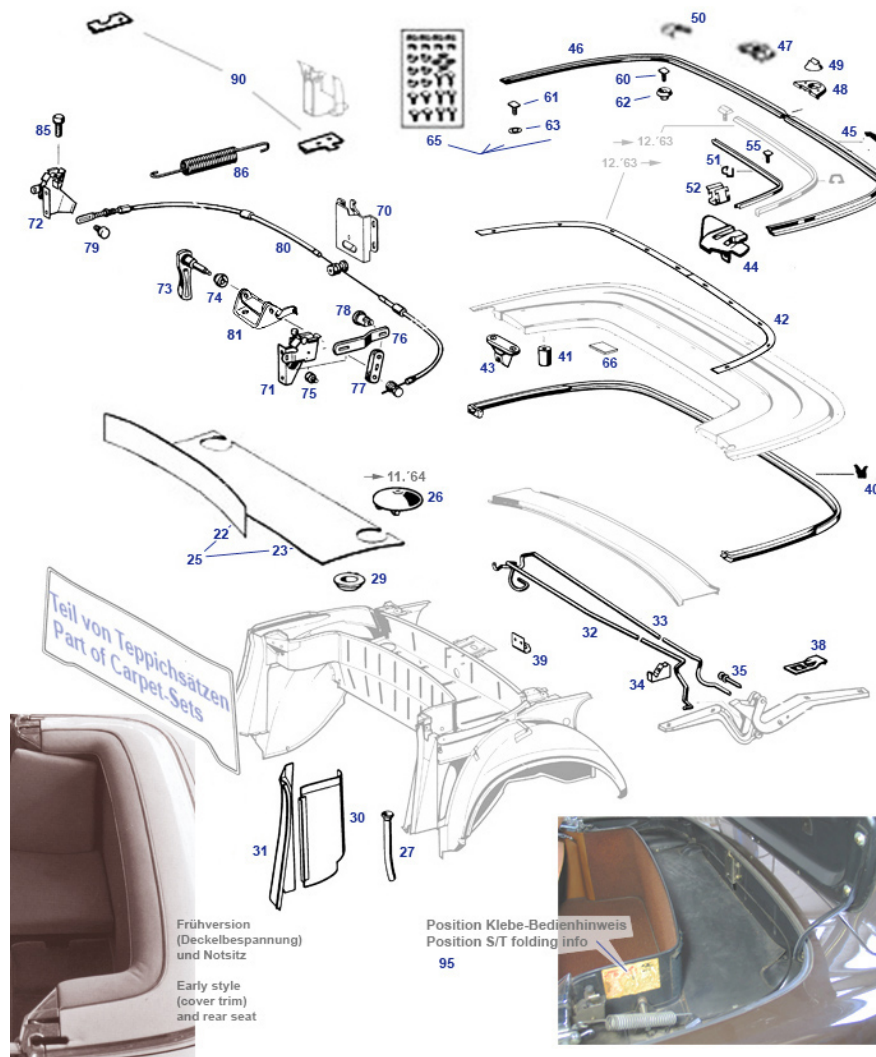
88 Engine Bonnet and Grille Garnish



	Grille frame, Repro	288711	702,10 €	star	Hex Nut, M4	799919	0,20 €
star	Spring washer M4 yellow zined	299283	0,08 €	star	Washer 4,3 yellow zined	299282	0,08 €
1	Alu-bonnet, Repro. As genuine: needs outline creation	288900	4.843,97 €	4	Rep.-Section bonnet frame frt, Alu	288801	449,97 €
10	Hex nut M5, zined	299919	0,18 €	10	chromed nose frame REPRO	288111	619,86 €
11	Washer,waved shape,M5, zined	142904	0,25 €	11	Dec. Strip, grille, Lt. Repro	288033	239,99 €
11	Bolt M5/hex8, frt grille mouldings	288049	0,32 €	11	Pair dec. chrome rails in front grille, repro	288834	279,65 €
11	Dec. Strip, grille, Rt., Repro	288044	239,99 €	12	Pad, rear compt.fr.wall	268194	13,45 €
13	Shim, canister to surround	188072	11,63 €	13	Bolt M5x10,i.e. Star->Frame, industrial chrome finish	288048	1,45 €
13	Washer, Star/frame	288047	0,55 €	14_3D	Radiator mesh, similar 1138800485, RH	288066	264,44 €
14_3D	Radiator mesh, similar 1138800385, LH	288055	264,44 €	14_3D	Washer, e.g. screws @ mesh	299045	0,21 €
14_3D	Metal screw 4,2x13 SW7 N007976004203	299044	0,44 €	14_3D	1 Pair grille mesh, steel	288755	194,21 €
20	Support,hood,inner, Rt.	288040	29,39 €	20	Support,hood,inner, left	288030	28,64 €
21	Screw M6 e.g. Bonnet hinges	299289	0,38 €	21	Support, hood, outer, Rt.	288020	28,64 €
21	Support, hood, outer, Lt.	288010	28,64 €	22	Screw M5 e.g. Bonnet spring brackets	299287	0,50 €
22	Plate, hood support rod, left	288805	13,65 €	23	Plate, hood spring rt	288706	14,99 €
23	Plate, hood spring rt	288806	12,45 €	24	Torsion bar, hood	288725	105,90 €
24	Rubber sleeve	243859	2,38 €	25	Bracket, black rubber reproduction	288707	15,67 €
25	Bracket, hood support rod	288807	16,60 €	30	Screw, countersunk, M6 e.g.	299285	0,44 €

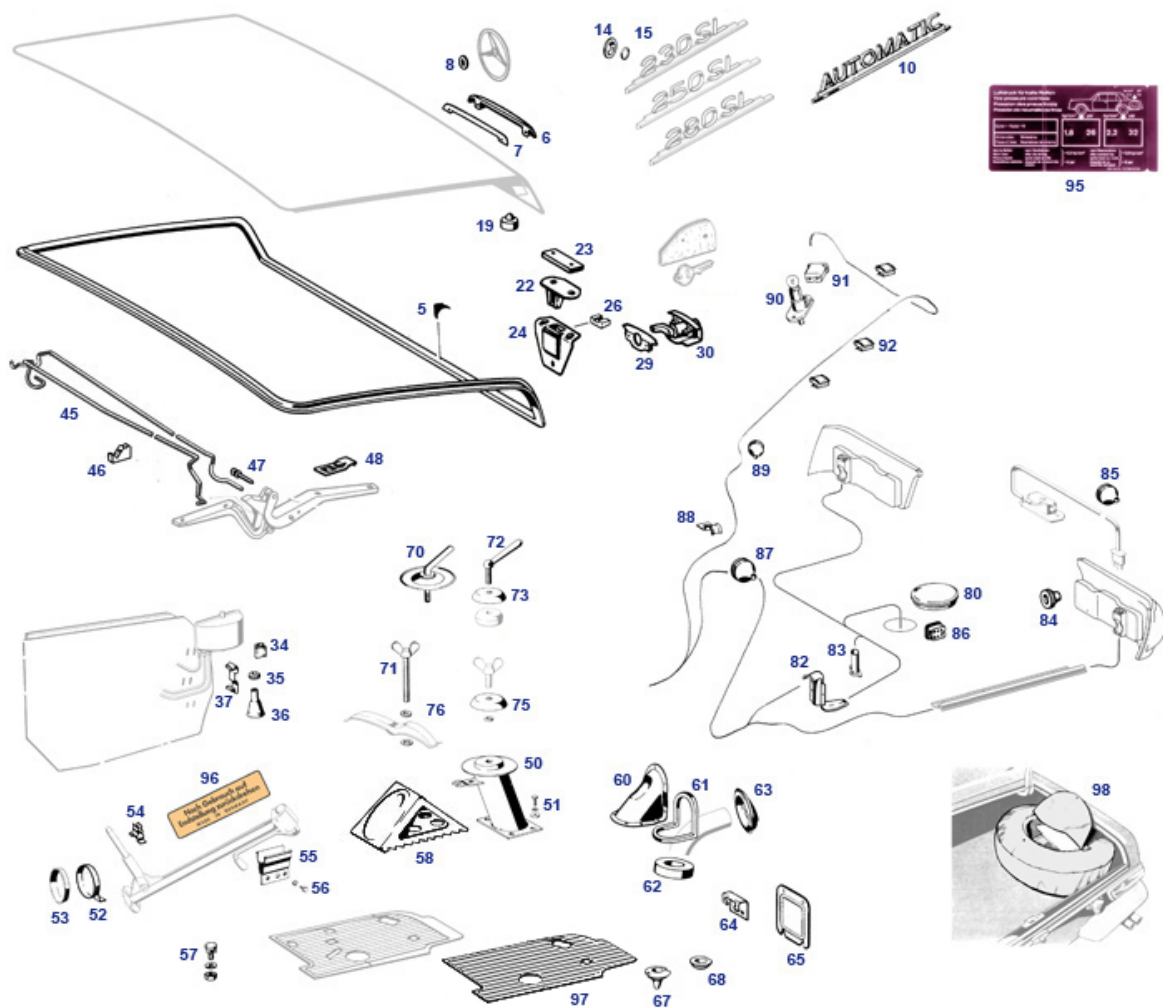
30	Hood catch, lower, short neck / Alu	288002	408,88 €	30	bonnet lock		
30	Bonnet catch, short neck, steel	588012	399,92 €	31	Bonnet catch, long neck	388002	408,88 €
31	washer M6, yellow zined	299125	0,21 €	31	Spring washer A6 zinc plated	299127	0,21 €
31	Hood catch, upper	288001	23,40 €	31	Screw M6x18 e.g. Filter box 190SL,bonnets, ..	109024	0,38 €
33	Spring washer M5	299325	0,11 €	33	Screw M5 e.g. safety hook @ bonnet	299286	0,26 €
34	Hex Nut M6 flat shaped	299291	0,37 €	33	Safety hook, hood catch	288831	39,87 €
35	See new article number 254874 A0009883378, Clip	254074	1,49 €	35	Clip, see picture, Pls follow recommendation 254874	254774	0,60 €
40	Hood Release Cable (LHD) A1138800759	288004	33,50 €	35	clip, e.g. wire fixture 190SL, R113, R/C107	254874	1,50 €
42	handle, opener, bonnet	288015	3,87 €	41	Rubber grommet 3 way, bonnet cable	298778	3,55 €
51	Clip,cover	268009	1,74 €	50	Cover, front subframe mount	268010	11,90 €
83	hood above air duct grille, Repro doesn't meet genuine Quality	283820	175,77 €	60	Chrome Air intake ornamental mesh, Repr	283720	731,22 €
83	Screw, R/C107, R113	272724	0,51 €	83	Panel screw, lens head 3,5x13 vent hood	283031	0,18 €
101	protection rubber, 1 Meter, div purpose	398012	13,01 €	83	Screw	799931	0,24 €
110	Screw @ front grille	188071	1,54 €	110	Screw @ front grille, hi gloss chromed	188171	1,61 €
126	bonnet strap mounting plates, 1 pair	288824	11,50 €	110	Washer, chrome, high shape, fits up to 4mm screws	288013	2,99 €
				160	Screw, grille/bodywork	283021	1,90 €

75.c Softtop Box



	Spring washer M6	142158	0,15 €		Spring clip nut, 4,2, e.g. wing 107,..	299028	0,33 €
	Countersunk screw, lock frame, zinc plated	275265	0,39 €		Clip nut, trunk hood	175015	19,75 €
22	Pad, rear compt.fr.wall	268194	13,45 €	23	Insulation lower box cover	268193	80,63 €
25	2 pcs. sofftop box damping, simple quality	268893	58,55 €	27	Run-off / drip hose, S/T compartment	279032	11,25 €
29	Rubber plug 32mm	398780	1,44 €	30	Screw 4.2 e.g. at 298043	299278	0,38 €
30	Cover plate , rear, left	269170	174,99 €	30	Cover plate , rear, Rt.	269180	174,99 €
31	Escutcheon fitting panelling screws diam 3,9	267014	0,89 €	31	Raw blank inner cover B-pillar LH	269165	155,00 €
31	Raw blank inner cover B-pillar RH	269166	155,00 €	31	Screw (sill to wheel arch)	288133	0,50 €
32	1 pair torsion springs, both rear lids	277829	189,00 €	34	Support, torsion bars	277239	15,95 €
35	Bolt	277241	44,55 €	38	washer, 6,4 e.g. boot hinge	175005	0,36 €
39	Haltewinkel bei Verdeckkasteneinbau	264751	34,51 €	40	Seal, box cover, non genuine	275860	99,95 €
40	Seal, 230-280SL @ soft top lid OEM Quality	275060	178,50 €	40	Seal, 4-Seat-113, body underneath	275864	898,99 €
41	Rubber buffer, hood shelf, R113	298043	4,88 €	42	Hidden rail in upholstery '64->, bulky	277235	145,04 €
43	Washer 6.4 large, yellow zined	299276	0,18 €	43	Locking spring washer	299277	0,21 €
43	lock upper part, ref.No. A1137500585	277223	116,00 €	43	Screw, Phillips M6, e.g. locks upper	299275	0,44 €
44	Chrome cap B-pillar left 230SL up to 02.1966	269829	243,95 €	44	Chrome cap B-pillar RH 230SL up to 02.1966	269839	243,95 €
44	Screw, stainless, fits 269230/240	269842	1,19 €	44	Flat headed screw M4x7 chrome	269243	0,19 €
44	Chrome cap B-pillar left, from 03.'66	269830	285,66 €	44	Chrome Cap B-pillar RT from 03.'66	269840	285,66 €
44	square nut, b-pillar cap	269241	10,77 €	45	Chrome strip, inner, Lt.	275300	504,39 €
46	Chrome strip, inner, Rt.	275400	504,39 €	47	Chrome escutcheon 230SL ->008115	275844	69,02 €
47	Chrome escutcheon 230SL ->008115	275044	83,90 €	48	Escutcheon, chrome, rear, m	275845	69,02 €
48	Nut	299035	0,17 €	48	Washer for 299034	299038	0,12 €
48	Rubber washer, rear compt.	299036	0,26 €	48	Escutcheon, chrome, rear, m	275045	74,55 €
49	Seal, escutcheon rear S/T lock pin	279035	8,69 €	50	Chrome cover for trim strip	275350	95,90 €
51	Chrome strip, inner, Rt.	277400	277,98 €	51	A1137580181 Chrome strip, inner, Lt.	277300	277,98 €
52	Clip, hood boot cover strips (front trim)	298678	1,01 €	52	Clip, st-box-chrome strips	298178	2,44 €
60	Screw, square head, similar 1139900033	299034	4,02 €	61	Screw, square head, dec. strip	299033	5,14 €
70	Hex nut M6, yellow zinc.	181023	0,18 €	70	Washer 6,5 x 13	799915	0,17 €
70	Locking washer M6	299273	0,21 €	70	Pin	277238	7,08 €
70	Lock, lower part, ctre sofftop rr catch	277228	249,50 €	70	Spring, rear sofftop lock	277234	21,85 €
71	Hex Bolt M6 x 10 yellow zined	299997	0,35 €	73	Chrome handle, top + ST-boot opening	277224	214,90 €
74	Spacer washer,chrome lever	277237	23,00 €	76	Schubstange am Deckelzug	277226	78,78 €
77	Lever, control rod	277230	33,65 €	78	Pin @ link, incl screw+shim	277236	55,14 €
80	Clamp e.g. 6mm lines, wiring, ..	398047	0,13 €	80	Screw 3,9	299279	0,27 €
80	Seilzug f. Verdeckkastendeckel	277825	89,99 €	80	Clamp 5mm e.g. brake lines	143038	0,50 €
80	Cable, soft top hatch	277225	149,99 €	81	Screw M6 e.g. Bonnet hinges	299289	0,38 €
81	Support, lid opener wire linkage	277248	248,71 €	85	Hex Nut M6 flat shaped	299291	0,37 €
86	Compensating spring, left/right	272221	22,81 €	90	Grip washer M8	299274	0,29 €
90	Screw engine mount rear	222025	0,80 €	95	Label set, 9 piece, self adh.	299950	30,64 €

75.6 Boot Lid and Trunk Equipment



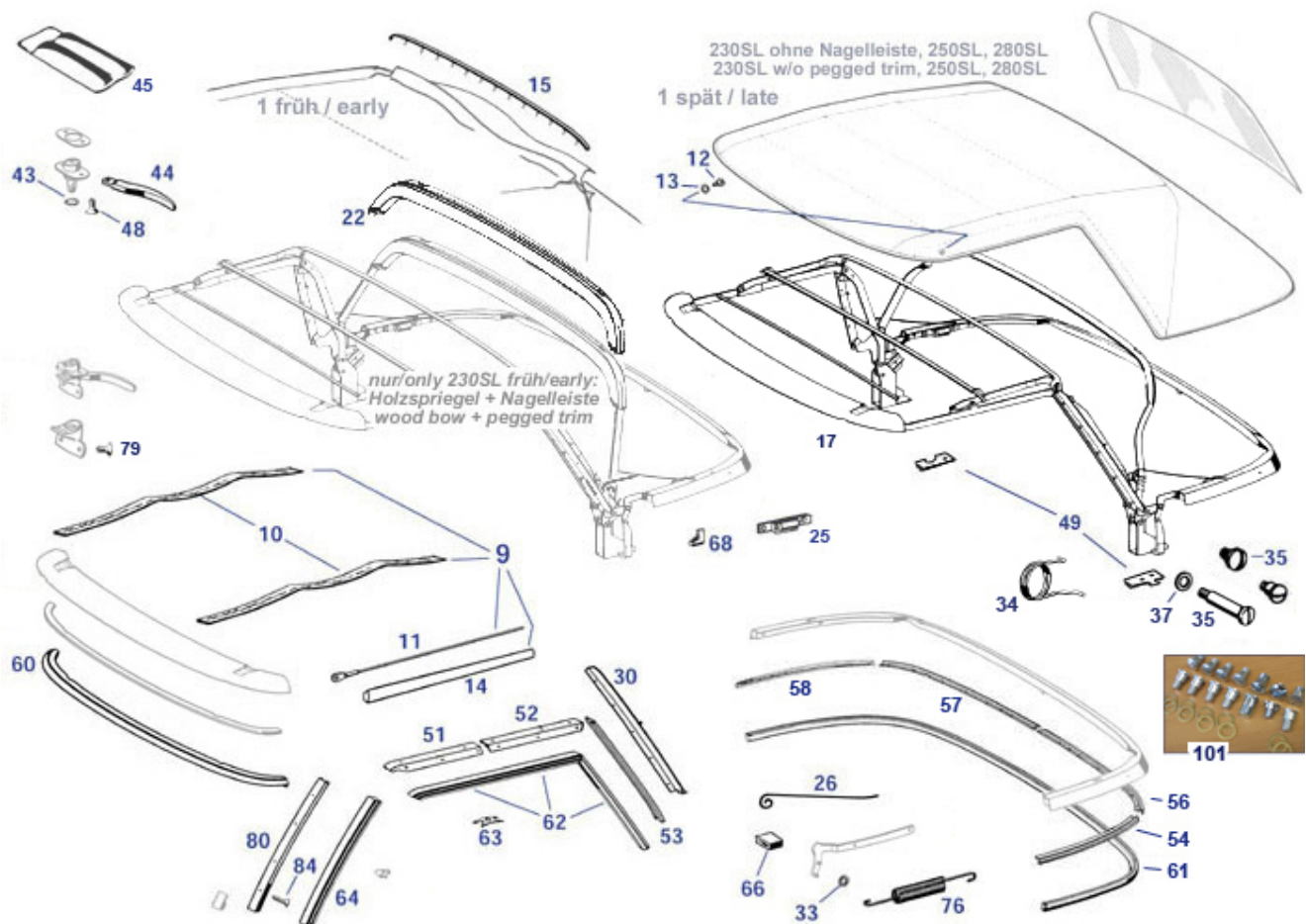
5	Seal, 230-280SL trunk lid	275005	184,99 €	5	Trunk seal 230-280SL repro	275805	65,45 €
6	Handle, chrome, trunk lid	275010	160,00 €	6	Spring washer M5	299325	0,11 €
6	Bolt M5x10,i.e. Star->Frame, industrial chrome finish	288048	1,45 €	7	Rbr underlay,boot lid handle 113,111,10	275011	7,82 €
8	Rubber washer	175012	1,11 €	8	Washer 8,4mm, standard, yellow zined	299326	0,11 €
8	galvanized M8 Nut N004032008005	222026	0,21 €	10	Type designation: Automatic	281025	100,00 €
11	Type designation: 230SL	281020	145,00 €	12	Type designation: 250SL	281021	145,00 €
14	Clip, 230-280SL	281026	1,18 €	14	Clip, 'Automatic'	281024	0,20 €
15	O-Ring blk rubber, eg Type signs	281027	0,13 €	19	Rubber buffer, trunk lid	298042	1,87 €
19	Rubber buffer, trunk	298044	1,01 €	22	Bolt M6 x 14, Phillips	977021	0,36 €
22	Countersunk screw, lock frame, chrome plated	277265	1,26 €	23	shim 1mm, catch underlay, height adjustment	375039	8,01 €
24	Countersunk screw, lock frame, zinc plated	275265	0,39 €	26	Buffer, trunk lid catch,fits casted bod	775138	3,00 €
29	Collar nut M5 locking, e.g. trunk lock	299336	0,46 €	29	Underlay rubber, trunk lock	275831	11,06 €
30	Locking cyl. with 2 keys	275830	189,21 €	34	Clip, cable	254073	1,09 €
35	Grommet, 4,5/10mm, cable@wheelarch	182005	2,53 €	36	Sleeve, tank ventilation	247079	7,95 €
36	Grommet, tank vent pipe through carbody	147070	6,52 €	37	Clamp, expansion tank 6mm/9mm	247069	9,70 €
37	Clip,tank ventilating pipe	247055	17,30 €	45	1 pair torsion springs, both rear lids	277829	189,00 €
46	Washer, e.g. screws @ mesh	299045	0,21 €	46	Hex nut M5, zined	299919	0,18 €
47	Bolt	277241	44,55 €	48	Screw M6 e.g. Bonnet hinges washer, 6,4 e.g. boot hinge	299289	0,38 €
48	Clip nut, trunk hood	175015	19,75 €	48	washer, 6.4 e.g. boot hinge	175005	0,36 €
50	Spare wheel holder	240015	463,60 €	51	Washer 6.4 large, yellow zined	299276	0,18 €
51	Spring washer, fits M6	181028	0,18 €	51	Screw M6x18 e.g. Filter box	109024	0,38 €

53	Rubber pan, jack storage support (foot)	259998	18,21 €	54	190SL,bonnets, .. Lug wrench holder	164041	15,33 €
55	Bracket, large, Jack @ Boot floor	264054	133,15 €	56	panelling screw Hex8, e.g. bumper 12 firt / 26 rr	799938	0,32 €
56	Panelling screw 5,5 x 16 (hex head 8mm)	288059	0,60 €	57	Clamping Bolt M6 for square bodypanel holes	188036	7,90 €
58	Wing nut M8, e.g. wheel shoe @ support	258111	1,57 €	58	Safety wedge f.tyre service	258110	286,20 €
60	Tapping screw Phillips 4,2x9,5	799936	0,15 €	60	Cover plate, filler neck	269020	31,77 €
61	16 m sealing compound strip 3mm black	699996	10,59 €	61	Edge protection profile mtr, eg trunk	269010	3,80 €
62	Foam sealing ring, filler neck->boot cover, rear panel, inner	269033	43,61 €	64	Bracket, inner rear panel	264750	35,69 €
68	Rbr plug 17,5mm	398995	1,17 €	67	Grommet 4/20mm, 1 hole, drain	399009	1,71 €
68	Rubber plug, 20mm	298780	0,94 €	68	Plug, 32mm, e.g. boot, ..Repro	268309	1,81 €
71	Wing screw 230SL FN	240006	42,53 €	70	A1158900014 Screwplate with offset lev	240014	240,00 €
75	Plate, spare tyre screw	240019	65,55 €	72	Cone handle screw, horiz.spare tyre	240018	115,00 €
80	Cover above fuel sender, plastic,black	347014	7,79 €	76	A3269900740 Washer, wing screw round cover above fuel sender,Repro	240009	16,54 €
80	Cover above fuel sender, rubber version	147016	14,02 €	80	Milled M5 nut, plastic w insert	247814	5,20 €
85	Grommet 6/26	299819	3,15 €	84	Rubber grommet	282855	3,30 €
88	Clamp e.g. 6mm lines, wiring, ..	398047	0,13 €	87	Screw	299005	2,59 €
90	A0008210252 Door switch, version flat poles	182021	28,98 €	88	Trunk(boot) light and switch '59-85	799931	0,24 €
90	Bulb, e.g. trunk light	282033	2,50 €	90	Spring clip for Rt.+Lt. cable	282022	40,58 €
96	Label set, 9 piece, self adh.	299950	30,64 €	92	Gummimatte Kofferraum früh /Rad stehend	254071	0,83 €
97	Rubbermat trunk from VIN, B-quality,res	268700	284,29 €	97	Rubber mat, boot, RT, black reproductio	268701	387,35 €
98	Vinyl covering, spare tyre (horiz-lev)	289889	221,99 €	97	Rubber mat, boot, RT, black reproductio	268400	23,18 €
610	Right Trunk Cover Paper Board+foam	268610	88,88 €	98	Tool bag without tools	258806	48,79 €
				610	Left Trunk Cover Paper Board+foam	268611	88,88 €

77, 79 Softtop & Hardtop

77.a, Softtop frame and equipment

77.a, Softtop frame and equipment

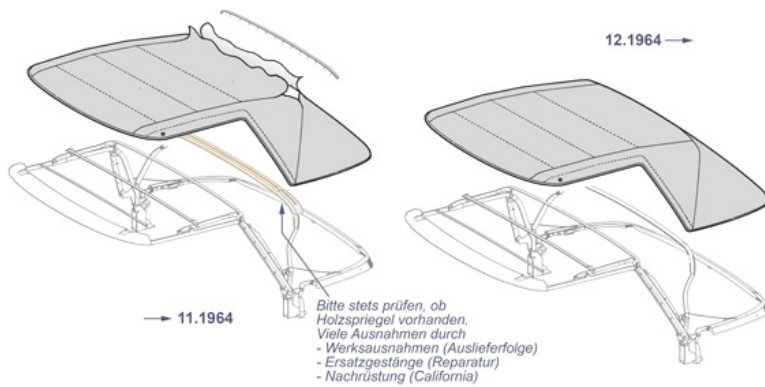


	Countersunk screw, lock frame, zinc plated	275265	0,39 €		Seilzug f. Verdeckkastendeckel	277825	89,99 €
	spacer for softtop frame for height balance,1pc.	277254	19,50 €		spacer for softtop frame for height balance	277253	22,14 €
10	Set strap belts f.softtop, black, R113	276701	44,63 €	10	Set strap belts f.softtop, black, R113 & W107	276771	41,65 €
10	Set strap belts f.softtop, beige, R113 & W107	276772	71,39 €	11	1 pair wires, S/T above side-window	777090	24,00 €
11	1 pair wires, S/T above side-window, like original	777890	35,69 €	12	Chrome screw M4, e.g. wire at canvas	277052	1,79 €
13	escutcheon e.g. screw 277052, ..	277053	3,02 €	14	damping strip at softtop cloth LH or RH fitting	277806	31,74 €
14	damping strip f.softtop fabric, L or R fitting, OE-quality	277106	36,10 €	15	ledge soft top chrome trim, 230SL early frames	277800	245,00 €
17	Softtop frame, Repro	277710	5.950,00 €	22	Wood bow 230SL ->07640 + FN !!	277037	322,00 €
25	Top catch, FN , Right	277022	177,91 €	25	Top catch, FN ,left	277033	177,91 €
26	Hold-off wire 230 SL	277811	24,99 €	30	A1137700334 Softtop holding rail, Lt.	272023	359,36 €
30	A1137700434 Softtop holding rail, Rt.	272024	359,36 €	34	Coil spring S/T hinge RH	277834	38,08 €
34	Coil spring S/T hinge LH	277833	40,70 €	35	Bolt at softtop frame, 8x req. M8X1	298022	7,32 €
35	Bolt, Softtop frame, see pict.	298026	14,10 €	35	Bolt at softtop frame 2x req	298023	7,97 €
35	Bolt at softtop frame 2x req	298025	21,21 €	35	S/T Frame Bolt Ctr-sunk + cyl	298024	7,46 €

35	Rep-Idea: Frame bolt M10 fine	298033	8,22 €	37	Washer, hood frame hinge	277019	3,53 €
40	Lock, soft top or hardtop LH	277010	235,14 €	40	Lock, softtop or hardtop, RH	277020	235,14 €
42	Underlay, distancer, roof lock	277815	4,02 €	43	Buffer ring on lock	277018	2,65 €
44	Chrome handle, gen.III (ca. 1969 - 08.'81)	277046	164,99 €	44	Chrome handle, gen.II (67-69)	277045	174,99 €
44	Chrome handle, Generation II (67-69)	277845	91,99 €	45	leatherbag for chrome handle red	258803	28,62 €
45	leatherbag for chrome handle cognac	258804	28,62 €	45	leatherbag for chrome handle black	258802	28,62 €
48	Countersunk screw, lock frame, chrome plated	277265	1,26 €	48	M6 x16 bolt, counter sunk head DIN91, chromed	277267	7,46 €
50	countersunk head tapping screw 3,5X13, sealing rail 230SL	272723	0,13 €	51	Countersunk screw, rail/frame, M4x12	277027	0,49 €
51	Chrome profile upper frt RH	272026	458,19 €	51	Chrome profile upper frt LH	272025	458,19 €
52	Chrome profile upper ctre LH	272027	585,00 €	52	Chrome profile upper ctre RH	272028	585,00 €
53	Chrome profile rear LH	272029	519,99 €	53	Chrome profile rear RH	272032	519,99 €
54	Screw 3,5 x 9,5, see picture	288081	0,32 €	54	Seal holder profile, S/T LH- sideways	277723	190,00 €
56	Seal holder profile, S/T LH-rear	277725	205,99 €	57	Seal holder profile, S/T RH-rear	277726	205,99 €
58	Seal holder profile, S/T RH- sideways	277724	190,00 €	60	Seal, hard/soft top to body, front OEM Quality	279010	63,83 €
61	countersunk washer fits e.g. screws 2,9	199021	0,51 €	61	panelling screw, phillips, chromed	268133	1,32 €
62	Seal, side window left ST / HT	272715	21,97 €	62	Seal, side window Lt. ST / HT	272215	41,65 €
62	Seal, side window Rt. ST / HT	272210	41,65 €	62	Seal, side window Rt. ST / HT	272218	21,97 €
63	Clip, rbr-profile to rails	272729	2,56 €	64	Seal, A-pillar, left/right side, needs to be cutted!	272220	25,88 €
64	Seal, A-pillar, L or R, needs t.b.cutte	272228	13,47 €	66	Rubber buffer @ soft top, Lt.	272285	38,85 €
66	Rubber buffer @ soft top, Rt.	272286	38,85 €	68	Grommet, softtop frame	777096	2,73 €
76	Compensating spring, left/right	272221	22,81 €	79	M6 x12 bolt, counter sunk head DIN91, chromed	277266	7,46 €
80	Weatherstrip seal holder, Lt.	272725	382,61 €	80	Chrome rail, A-pillar, Rt.	272726	382,61 €

77.b, Softtop/Verdeck Stoffbezug

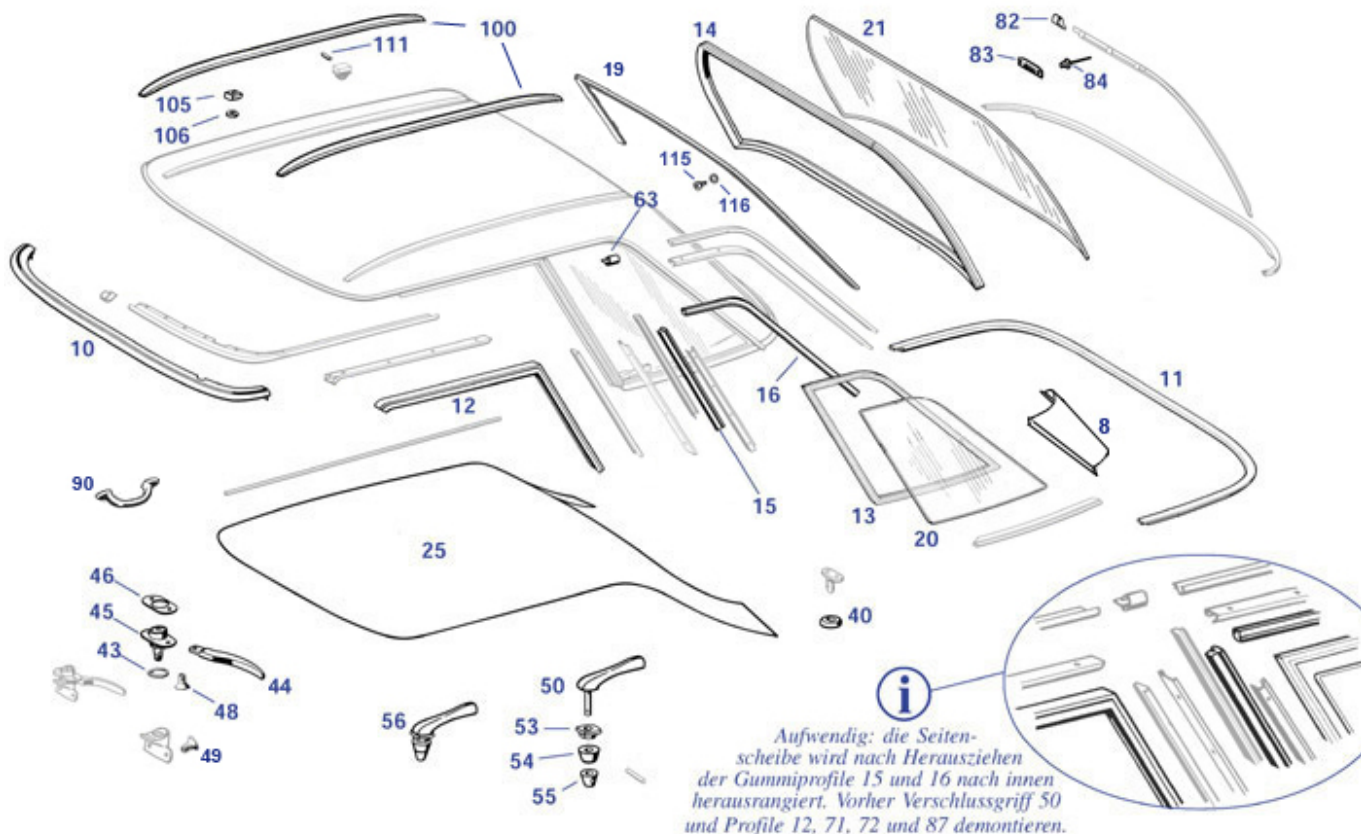
77.b, Softtop/Verdeck Stoffbezug



	Softtop hood W113 blue/blac/colour / premium	276582	899,99 €		Set strap belts f.softtop, black, R113 & W107	276771	41,65 €
	Set strap belts f.softtop, beige, R113 & W107	276772	71,39 €	1	Soft-top R113 blk/beige/color	276302	799,99 €
1	S/T fabric blk/beige/clear	277000	844,90 €	1	Softtop hood W113 black/black premium	276501	899,99 €
1	Soft-top R113 blk/blk/clear	276301	799,99 €	1	Softtop hood W113 black/creme premium	276500	1.050,00 €
1	Soft-top R113 blk/blk/color	276303	749,70 €	1	Soft-top 230SL blk/blk/clear	276305	773,50 €
1	Soft-top 230SL blk/beige/color	276306	773,50 €	1	Soft-top 230SLearly blk/beige/clear	276308	773,50 €
1	Soft-top 230SL blk/blk/color	276307	773,50 €	2	Premium drk-blue/beige/clear, late	276520	399,00 €
2	Soft-top R113 dk.blue/blk/clear	276321	749,70 €	2	Economy drk-blue/beige/clear, late	276320	749,70 €
2	Premium black/beige color, late	276502	899,99 €	2	Soft-top 230SL dk.blue/blk/clear	276325	773,49 €
2	Soft-top 230SL dk.blue/be/clear	276324	773,49 €	2	Softtop R113 d.bl-blk. col	276323	749,70 €
2	Softtop hood W113 blue/creme premium	276522	899,99 €	3	Softtop hood W113 dark brown/creme premium	276530	1.050,00 €
3	Softtop hood W113 brown/black premium	276531	899,99 €	3	Soft-top R113 dk.brown/beige/clear	276980	635,46 €
4	Verdeckbezug R113 hellbeige/beige/klar	276390	749,70 €	4	Hellbeige/beige/klar spät Premium	276590	999,99 €

79 Hardtop

79 Hardtop



	panelling screw, phillips, chromed	268133	1,32 €		Rubber buffer 5mm,121,113,10	298066	0,89 €
	Countersunk screw, lock frame, chrome plated	277265	1,26 €		Self tapping screw, zinc plated	999981	0,24 €
	M6 x16 bolt, counter sunk head DIN91, chromed	277267	7,46 €		Countersunk screw, lock frame, zinc plated	275265	0,39 €
8	Patch panel hardtop rr pillar LH	279130	97,02 €	8	Patch panel Hardtop rear pillar LH	279140	97,02 €
10	Seal, hard/soft top to body, front OEM Quality	279010	63,83 €	11	Seal,hard top/body, rear	279100	265,00 €
11	Seal, 4-Seat-113, body underneath hardtop	275864	898,99 €	11	Rear lower Hardtop rubber, Repro	279800	120,00 €
12	Seal, side window Rt. ST / HT	272210	41,65 €	12	Seal, side window Lt. ST / HT	272215	41,65 €
12	Seal, side window left ST / HT	272715	21,97 €	12	Seal, side window Rt. ST / HT	272218	21,97 €
13	Seal, H/T side window, referring 1136700139 = L	279050	76,15 €	13	Seal, H/T side window, referring 1136700239 = R	279040	76,15 €
14	Attention! Inaccurate fit	279830	139,90 €	15	1m Seal, B-pillar, Lt./RH	279854	22,63 €
16	1m Seal, hardtop triangular window L+R	279055	6,95 €	19	Wood for hardtop, holes have to be adjusted	279031	469,99 €
20	Triang.window,Lt.,green tone	269310	149,99 €	20	Triangular window,Rt.,clear	269400	107,85 €
20	Triangular window,Lt.,clear	269300	107,85 €	20	Triang.window,Rt.,green tone	269410	149,99 €
21	W/S glastransp. incl. box(Germany)	967999	121,25 €	21	Rear window H/T, green	269610	272,89 €
21	Rear window H/T, clear	269000	207,49 €	25	HT-headliner, grey Vinyl with roof sticks	279804	269,00 €
25	Wire set.	279805	49,88 €	25	HT-headliner 113, creme Vinyl	279504	260,00 €
40	Rubber ring, hardtop rr.spigot	279012	13,74 €	42	leatherbag for chrome handle cognac	258804	28,62 €
42	leatherbag for chrome handle red	258803	28,62 €	42	leatherbag for chrome handle black	258802	28,62 €
43	Buffer ring on lock	277018	2,65 €	44	Chrome handle, gen.II (67-69)	277045	174,99 €
44	Chrome handle, Generation II (67-69)	277845	91,99 €	44	Chrome handle, gen.III (ca. 1969 - 08.'81)	277046	164,99 €
45	Lock, soft top or hardtop LH	277010	235,14 €	45	Lock, softtop or hardtop, RH	277020	235,14 €
49	M6 x12 bolt, counter sunk head	277266	7,46 €	50	Chrome handle HT lock, lt, repro,	279510	180,25 €

50	DIN91, chromed Chrome handle HT lock, rt, repro, comments	279610	199,19 €	53	comments Chrome dec. ring HT closure	279550	71,72 €
54	Spacer ring,hard top handle	277796	5,24 €	55	Prt. cap,hard top handle	277795	9,65 €
56	set H/T chrome handle, Lt.	279500	435,00 €	56	set H/T chrome handle, Rt.	279600	435,00 €
59	Set mounting bits at HT lock handle	279555	103,99 €	61	Joiner. Drip strip	269045	90,50 €
63	Joiner,triang.window drip	269054	77,35 €	82	Joiner,rear window drip stri	279065	69,00 €
84	Rivet, rear window drip strips	270691	0,20 €	90	Handle, e.g. Hardtop	281004	233,00 €
100	pair trims, brass chromed, incl. nuts	269008	794,71 €	105	threaded brass spacer, roof trims	299089	33,20 €
105	threaded stainless spacer, roof trims	299789	29,75 €	106	Rubber ring, wiper motor	282407	0,77 €
106	rubber washer fits M6	299081	1,19 €	106	N900056005202 N900056005202	299082	0,56 €
106	countersunk head screw for hardtop dec. stripes	299083	0,82 €	111	N9000560052 Spring pin, DIN1481, spring steel, 2.5 X 14	299080	0,32 €
115	screw countersunk PH 2,9x13 stainless	769179	0,24 €	116	Counter sunk shim fits screws up to 3mm	872990	0,60 €

77.c, 86.b Wind protector

77.c, 86.b Wind protector, Repros

Windschott für 230-280SL (R113)

Artikelnummer 286100, Lieferumfang:
 - fertig montiertes Windschott aus leichtem Rohrrahmen mit Netzgewebe, schwarz
 - Haltewinkel mit Inbus-Schrauben und Anleitung
 - Solide Aufbewahrungstasche aus schwarzem Kunstleder mit Reißverschluss

schwenkbar!

Das Windschott ist leicht und kann nach dem Abnehmen der Haltewinkel bequem angebracht oder abgenommen werden.

Die Auflage der Halter ist zum Schutz mit Gummistreifen versehen

Geformte Distanzblöcke halten an der Deckel-Vorderseite

Mit einem Inbusschlüssel wird links und rechts je ein Haltewinkel angeschraubt

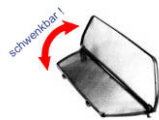
Der Verdeckkastendeckel bleibt frei beweglich

Bei korrekter Positionierung ergibt sich ein kleiner Abstand zwischen Schraube und Chromleiste. Der Überlappungsspalt des Deckels über dem Verdeckkasten reicht, so dass der Haltewinkel beim Öffnen nicht stört.

Windschott R113 "Netz", klappbar	286800	220,00 €
Wind mesh "Weyer-Premium" 230-280SL Pagoda, premium quality	286807	499,99 €

Wind mesh "Weyer" 230-280SL Pagoda	286805	475,99 €
Wind mesh "Weyer" 230-280SL Pagoda, For vehicle with 3rd seat	286806	265,00 €

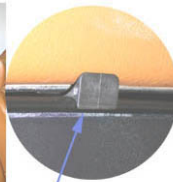
77.d, 86.c Info MB/Oris wind protector



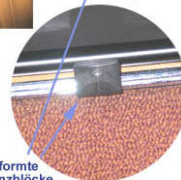
Windschott für 230-280SL (R113)

Artikelnummer 286100, Lieferumfang:
 - fertig montiertes Windschott aus leichtem Rohrrahmen mit Netzgewebe, schwarz
 - Haltewinkel mit Inbus-Schrauben und Anleitung
 - Solide Aufbewahrungstasche aus schwarzem Kunstleder mit Reißverschluss

Das Windschott ist leicht und kann nach dem Abnehmen der Haltewinkel bequem angebracht oder abgenommen werden.



Die Auflage der Halter ist zum Schutz mit Gummistreifen versehen



Geförmte Distanzböcke halten an der Deckel-Vorderseite

Mit einem Inbusschlüssel wird links und rechts je ein Haltewinkel angeschraubt



Der Verdeckkastendeckel bleibt frei beweglich



Bei korrekter Positionierung ergibt sich ein kleiner Abstand zwischen Schraube und Chromleiste. Der Überlappungspalt des Deckels über dem Verdeckkasten reicht, so dass der Haltewinkel beim Öffnen nicht stört.



79.b Hardtop Storage

Hardtop-wagen
R113, R107, ...





Einfache Montage, schlagfeste Beschichtung (in weiß oder schwarz), robuste Rollen, arretierbar, solide Schaumpolster m.Filzschicht,

dazu erhältlich:
Textilcover 779985

schwarz: Art. [779980](#)
weiß: Art. [779981](#)

Hardtop-Unterbringung
Garagenlifte
Abstellwagen
Staubhüllen

Hardtop Storage
Hoists, Carts, Covers

Hardtop-Cover Art. 779997




2-teilige Hülle
passend zum Garagenlift
- einfache Montage (Klettverschluss)
- das HT wird auch von unten umhüllt

orig. Garagenlift Art. 779999



Mercedes-Benz Originalzubehör:
Seilwinde mit Handkurbel,
"T-Traverse" an Verschlüssen vorn
und Haken unter Rahmen hinten



Garagenlift
Traverse mit Regenrinnenhalter
Gurt zur Absicherung
Flaschenzug, Haken und Klampe

R113 (230-280SL): Art. [279998](#)
R/C107 (280-500SL): Art. [779998](#)

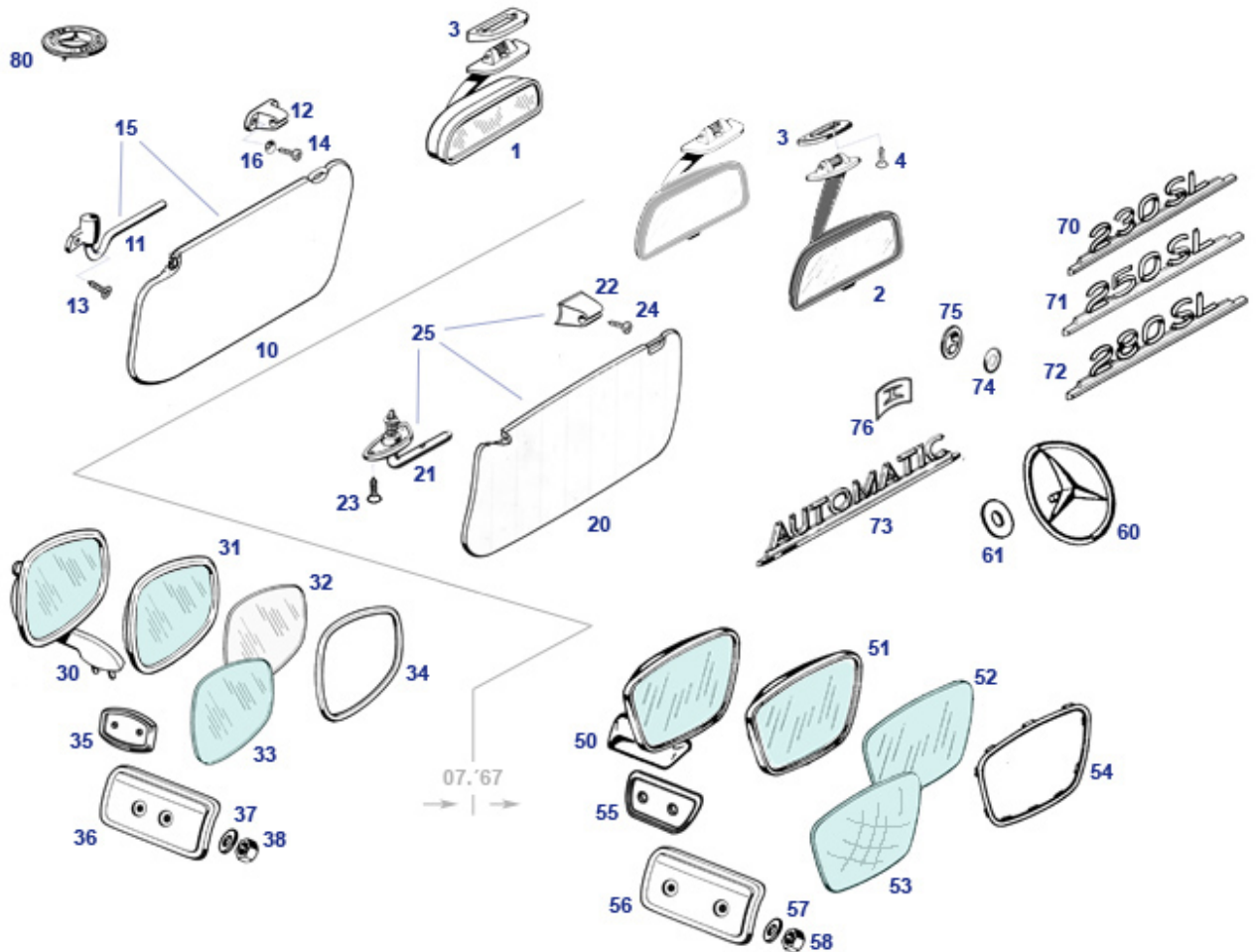




279998	Hardtop hoist R107, mech.	779998	229,90 €	779980	Hardtop cart black, with dust cover fitting 113+107	779980	219,00 €
779980	Hardtop cart, R107/113/129, no cover	779981	199,99 €	779985	Cover (tan) for hardtop vehicle	779985	76,99 €

81 Mirrors, Sunvisors, Int/Ext Eqmt.

81 Mirrors, Sunvisors, Int/Ext Eqmt.



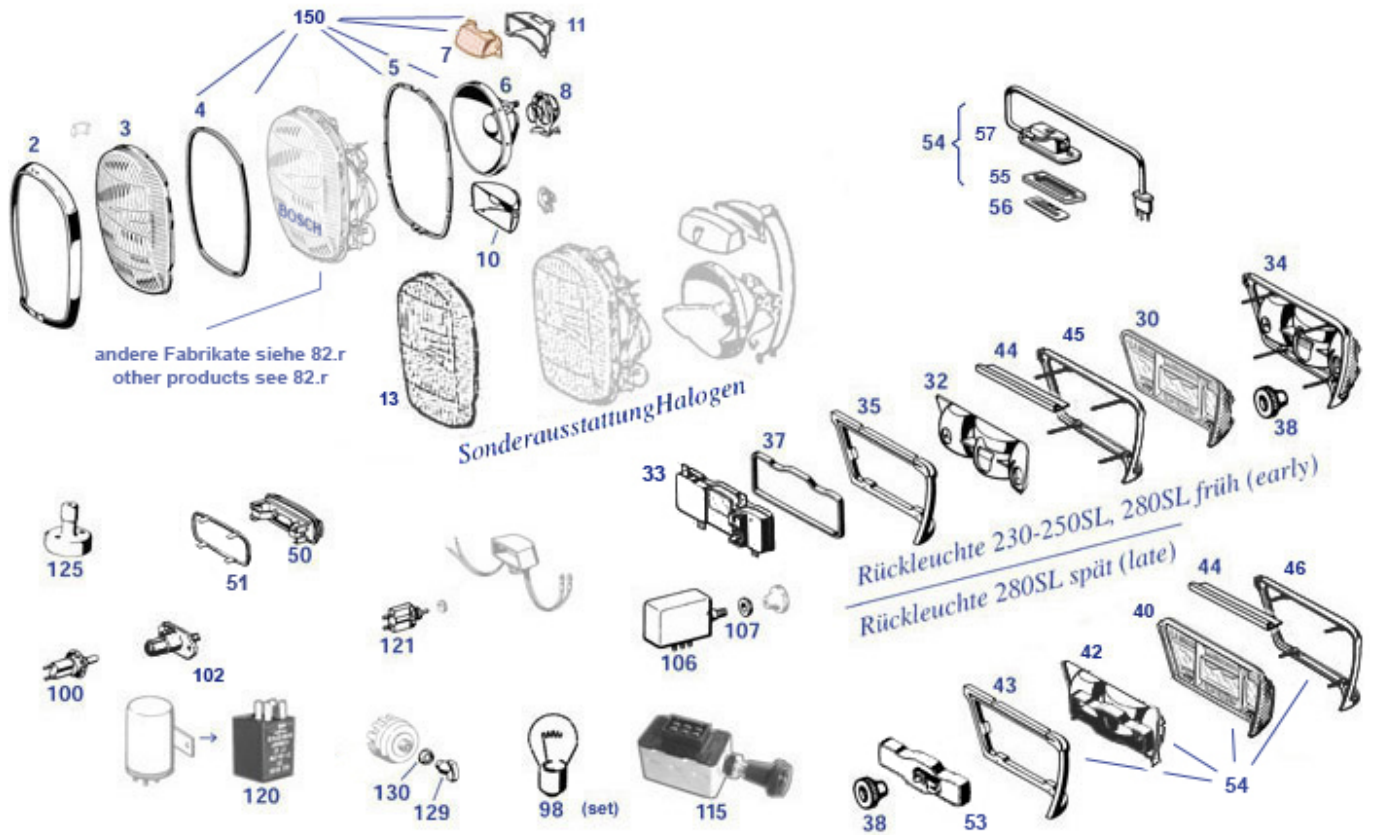
	Countersunk bolt M5X16, industrial chrome plated	167062	0,45 €		M5 chrome bolt PH, e.g. licence plates	988998	2,20 €
	Ash tray, black	281800	174,93 €		countersunk head screw M5 X 16, high gloss chrome plated	167862	4,99 €
3	Inner mirror support frame,230SL 1st ge	281023	79,08 €	4	Senk-Blechschaube 3,9x22 zB Innenspiegel	299928	0,44 €
10	RHD-Sunvisor ->67 driver's side w/o bracket, cream	281133	179,52 €	10	Sunvisor ->67 LH w/o bracket, cream	281131	229,00 €
10	Sunvisor ->67 RH w/o bracket, cream	281132	229,00 €	10	RHD-Sunvisor ->67 passenger side w/o bracket, cream	281134	190,00 €
11	Chrome bracket, visor RH ->'67	281168	161,99 €	11	Chrome bracket LH visor ->'67	281158	160,00 €
12	Bracket, sunvisor -> '67	281038	5,96 €	13	complete screw set, chrome plated	299233	399,90 €
14	Counter sunk screw 4,2x14, industrial chromed	799932	0,58 €	15	Pair sunvisors 230SL, light Repro	281730	385,58 €
16	Escutcheon fitting panelling screws diam 3,9	267014	0,89 €	20	S'visor `67->, Lt.no mirr,no supp	281137	223,35 €
20	S'visor `67->, Rt.w. mirr,no supp,Repro	281136	223,35 €	21	S'visor support, outer, 67->, RH	281160	89,90 €
21	S'visor support, outer, 67->, LT	281150	89,90 €	22	Pin for sun visor from 1967	281739	29,16 €
22	Visor bracket from 67->, Repro see picture	281639	14,99 €	22	Bracket, sunvisor'67->,cream-grey	281039	13,64 €
23	Counter sunk screw 3,9 Phillips	281139	0,26 €	24	Square nut e.g. at 281039	281169	0,44 €
24	panel screw, lens head, 3,5x22 visorsup	281159	0,44 €	25	Sunvisor 67-> lt. light Repro	281737	189,21 €
25	Sunvisor 67-> rt. light Repro	281736	189,21 €	25	Pair Sunvisors '67-> light Repro	281735	348,43 €
30	Rear view mirror, Lt. early, B-quality	281030	101,45 €	30	Rear view mirror, Rt. early, B-quality	281040	100,90 €
31	Mirror head ->67, Repro, clear	181125	47,10 €	31	Mirror head ->67, Repro, tinted	181025	43,64 €
33	Replacement glass, tinted	181026	22,00 €	34	A0008110165 Replacement nylon bezel	181027	14,70 €

35	Rubber pad mirror ->'67, fits L/R	281035	2,64 €	36	Hidden bracket, door mirror early	281057	12,99 €
37	Spring washer, fits M6	181028	0,18 €	38	Hex nut M6, yellow zinc.	181023	0,18 €
50	Rear view mirror, Lt. late, B-quality	281050	101,39 €	50	Rear view mirror, late, rt. B-quality	281060	101,39 €
51	Mirror head '67->, RH, quality deficits, Repro	281852	32,50 €	51	Mirror head '67->, LH, quality deficits, Repro	281851	42,00 €
52	Mirror glass, flat, tinted, fits late m	281061	23,80 €	54	Ring, glass retention, 1967-> (trapez)	281062	16,66 €
55	Mirror underlay "trapezoid" '67->	281855	2,56 €	56	Hidden bracket, door mirror late	281056	13,85 €
61	Rubber washer	175012	1,11 €	70	Type designation: 230SL	281020	145,00 €
71	Type designation: 250SL	281021	145,00 €	73	Type designation: Automatic	281025	100,00 €
74	O-Ring blk rubber, eg Type signs	281027	0,13 €	75	Clip, 230-280SL	281026	1,18 €
76	Clip, 'Automatic'	281024	0,20 €	80	Spring washer M4 yellow zined	299283	0,08 €
80	Washer 4,3 yellow zined	299282	0,08 €	80	Hex Nut, M4	799919	0,20 €

82 Lighting and Wiper

82.a Lighting Units, standard

82.a Lighting Units, standard



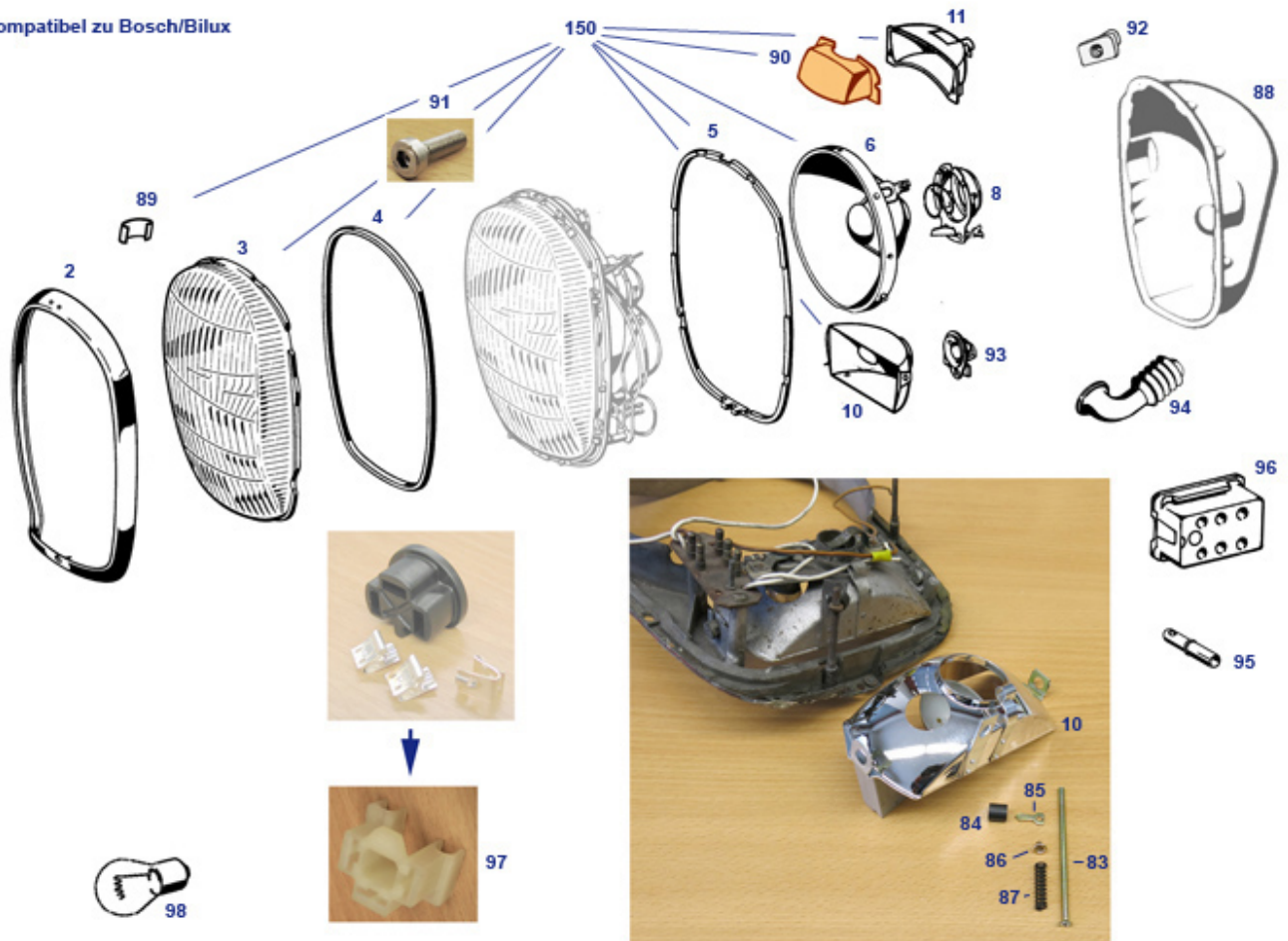
	Knurled chrome nut, glove box switch	254109	14,55 €		2-pole housing (plastic base & cap), no metal bushings	254182	7,97 €
	Screw, M4X6 Phillips, e.g. slotted grub screw for taillight frames	799546	0,24 €		Con.housing, 2 pole flat	254103	0,54 €
	contact bushing 4mm brass, silver plated	282856	4,65 €		see 282102	282002	8,96 €
	6-pole housing (plastic base & cap), no metal bushings	254855	1,40 €	glov	Bulb 12V / 10W, torpedo, total length 44	299094	0,51 €
	Bulb 12V / 10W, torpedo, total length 38	254180	8,45 €		8-pole housing (plastic base & cap), no metal bushings	254181	8,69 €
	Knob, heater blower switch, Repro, optical shortcomings	799081	1,46 €		Knob, Design 1968, M5, fits Cigar lighters M5	254843	45,28 €
1	Headlamp 230-280SL Euro-LHD, Bilux	282826	68,29 €		4-pole housing (plastic base & cap), no metal bushings	254883	8,09 €
1	Headlamp 230-280SL Euro-LHD, Bilux	282800	749,70 €	1	Headlamp 230-280SL Euro-LHD, Halogen (H4)	282700	779,91 €
3	spring clip, headlamp lens	282600	955,00 €	3	Headlamp lens LHD Bilux fit Repro 282800	282801	220,38 €
5	In hex M4 bolt, head lamp mounting	282082	2,00 €	3	Glass, headlamp R113 Bilux LHD	282001	184,45 €
5	Seal, headlamp to body	299280	1,36 €	5	threaded bushing, lamp housing repair	262855	2,50 €
7	Lens, blinker (direction ind.)	282006	35,87 €	6	Rubber bushing at reflector	182807	2,38 €
8	H4 Connector housg w.3x flag crimps	282075	30,55 €	8	Wiring w. sockets, fitting Bosch Bilux	282875	72,83 €
8	Housing for Bilux/H4 connector	282041	5,83 €	8	Lamp holder	282872	19,75 €
10	Bracket, headlight mirror adjuster	182042	4,74 €	10	Fog reflector, fits 35W Euro-Version	282878	72,83 €
10	SAdjuster screw, long, 113	182805	7,14 €	10	small metal boot, adj. spring locking	282804	1,19 €
11	dir light reflector, fits Bosch-Euro	282806	3,20 €	10	coil spring, fits adjuster bolts	282807	1,99 €
30	Taillight lens early RH rd/ye/ye (FR)	282876	33,99 €	13	Glass, Headlamp R113 LHD "H1"	282004	99,00 €
		282143	143,99 €	30	Right Tail Lamp Lens w/o. frame,	282141	143,99 €

30	Taillight lens early LH rd/ye/ye (FR)	282133	143,99 €	30	red/yellow Left Tail Lamp Lens w/o. frame, red/yellow	282131	143,99 €
30	Lens w.o. frame, red/red, Rt.	282121	143,99 €	30	Tail Lamp Lens - Left	282111	143,99 €
32	Reflector RH, taillight "early style"	282108	81,00 €	32	Reflector LH, taillight "early style"	282109	81,00 €
33	Lampholder '63 - '69 right side	282114	155,99 €	33	Lampholder '63-'69 left side	282115	155,99 €
34	Lens w.frame, red/red, Lt.->69, Repro	282110	517,00 €	34	Lens w.frame, red/red, Rt., ->69, Repro	282120	517,00 €
34	Lens w.frame, rd/ye/wh left .->69, Repro	282130	517,00 €	34	Lens w.frame, rd/ye/wh RH.,->69, Repro	282140	559,99 €
35	Seal, taillight left side, ->'69, repro	282813	49,90 €	35	Seal, taillight rt. ->'69, repro	282812	49,90 €
35	Seal, taillight RH up to ca.'69	282112	57,49 €	35	Seal, taillight left, up to ca.'69	282113	57,49 €
37	Seal Rear Lampholder/Bracking Board (61cm) / -> 1969	282119	4,74 €	38	Milled M5 nut, plastic w insert	282855	3,30 €
38	Milled M5 nut, plastic, white	282655	7,04 €	40	Lens rear light RH 69-> red/red	282181	199,99 €
40	Lens rear light LH. 69-> red-yellow	282151	189,39 €	40	Lens rear light LH 69-> red/red	282171	199,99 €
40	Lens rear light RH. 69-> red-yellow	282161	189,39 €	42	Mirror fits RH taillight "late style"	282168	133,99 €
42	Mirror, fits LH taillight "late style"	282158	133,99 €	43	Seal, tail lamp LH, late version	282517	31,83 €
43	Seal, tail lamp RH, late version	282518	31,83 €	43	Seal, tail lamp RH, late version	282118	59,20 €
43	Seal, tail lamp LH, late version	282117	59,20 €	44	Rubber profile, 1m rear lights, R113	282157	8,22 €
45	Chrome surround LH, taillight early	282132	247,34 €	45	Chrome surround RH, taillight early	282142	247,34 €
46	Chrome surround RH, taillight late	282162	246,98 €	46	Chrome surround LH, taillight late	282152	246,98 €
50	Interior lamp, shape nearly Hella style	282820	15,28 €	50	Interior light, simplified	282020	11,90 €
50	Interior light HELLA,same as MB- Replacement	282920	31,33 €	51	frame underneath interior lamp	282680	18,39 €
53	On request: bulb holder 69-> left	282153	396,66 €	53	as long as stock lasts! el. connector (fem) 6-pole, kit,	254984	27,67 €
53	On request: bulb holder 69-> rt	282163	396,66 €	53	Diode	282189	1,43 €
54	Rear light, comp.280SL Lt. 69->, red/amber	282650	533,12 €	54	Rear light, comp.280SL Rt. 69->, red/amber	282660	533,12 €
55	rubber seal, lic light lens	282054	7,82 €	56	Glass cover,R113 license plate light	282055	19,99 €
57	Bulb 12V / 5W, torpedo, total length 38	299098	1,54 €	57	Rest: Housing lic.plate lamp	282809	56,79 €
57	Grommet 6/26	299819	3,15 €	98	Bulb, 40/45W, Bilux	299092	3,99 €
98	Bulb 12V/18W direction indicator	299087	3,33 €	98	Bulb 12V / 3W, torpedo, total length 30	226102	2,53 €
98	light bulb 12V/2W, BA9s, eg. Instruments	254033	2,20 €	98	Bulb 12V 15W BA15S, halo modernized	399083	3,69 €
98	Bulb, 35W, Fog light	299093	8,32 €	98	Bulb 12V / 21W direction indicator	299085	1,25 €
98	Light bulb 12V/2W, BA7s	299079	1,99 €	98	Bulb 1.2W, glass socket, switch-knob, cockpit	299097	1,79 €
98	Halogene bulb, fits in Bilux socket	299192	4,86 €	98	Bulb, 55W Halogen H3,fog light	299091	4,52 €
98	Bulb, passenger compt. 3W, NoName	299096	1,79 €	98	Bulb 12V 15W BA15S, halo modernized	399084	3,92 €
98	Bulb, 55W H1, e.g. 113 if Halogen equipped	299090	2,89 €	98	Bulb, parking light, 12V/4W, BA9S	299099	1,39 €
100	Door switch round pin connectors	282721	82,26 €	100	Switch, flat connectors	282031	10,21 €
102	Bulb, e.g. trunk light	282033	2,50 €	102	bulb 12V 5W Ba15s socket	799189	0,81 €
102	A0008210252 Door switch, version flat poles	182021	28,98 €	102	Trunk(boot) light and switch '59-'85	282022	40,58 €
107	Escutcheon, emerg. flasher switch	282035	10,28 €	115	Relay, flasher, retrofit., plastic knob, Bosch	982034	157,15 €
115	Upgr. hazzard flasher Hella with wiring	982834	150,78 €	115	pigtail harness fits emergency switch 982034	982035	49,03 €
120	universal flasher relay 12V 4x21W Bosch, flat pole	582070	42,39 €	120	Turn signal transmitter	254760	42,39 €
120	crimp connector	997992	0,43 €	120	Housing, fits up to 5 crimp-shoes	554070	0,71 €
120	Turn signal transmitter (metal), Bosch	182001	76,90 €	121	A0015450211 Contact switch, glovebox	254101	402,03 €
125	foot operted switch	454012	32,68 €	130	Nut, chrome, light switch	254043	11,63 €

82.b compatible parts fitting Bosch-Bilux

82.b compatible parts fitting Bosch-Bilux

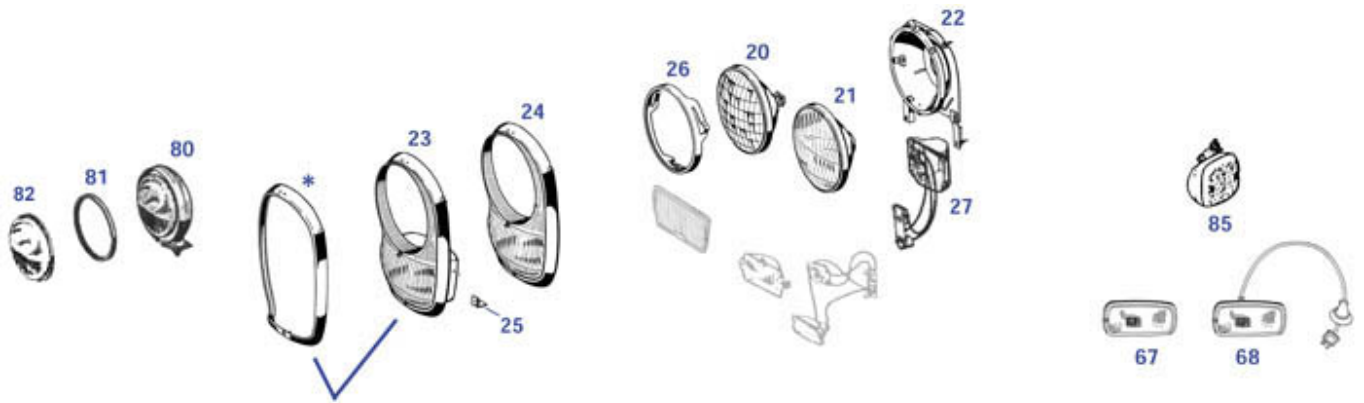
Kompatibel zu Bosch/Bilux



5	see 282102 Seal, headlamp to body	282002 282006	8,96 € 35,87 €	3	Glass, headlamp R113 Bilux LHD	282001	184,45 €
8	Lamp holder	282872	19,75 €	8	Wiring w. sockets, fitting Bosch Bilux	282875	72,83 €
11	dir light reflector, fits Bosch-Euro	282876	33,99 €	10	Fog reflector, fits 35W Euro-Version	282878	72,83 €
84	Rubber bushing at reflector	182807	2,38 €	83	SAdjuster screw, long, 113 headlights	282806	3,20 €
86	small metal boot, adj. spring locking	282804	1,19 €	85	Bracket, headlight mirror adjuster	182805	7,14 €
88	Lamp housing LH	262850	61,23 €	87	coil spring, fits adjuster bolts	282807	1,99 €
89	spring clip, headlamp lens	282082	2,00 €	88	Lamp housing RH	262860	61,23 €
91	rubber washer, adjuster bolts	782803	0,77 €	90	Lens, blinker (direction ind.)	282075	30,55 €
92	threaded bushing, lamp housing repair	262855	2,50 €	91	In hex M4 bolt, head lamp mounting	299280	1,36 €
94	Tube,prt.,head lamp cable,r.h.	254046	24,29 €	94	Tube,prt.,head lamp cable,l.h.	254047	24,29 €
95	Sold on sleeve 4mm	254055	2,69 €	95	contact bushing 4mm brass, silver plated	254855	1,40 €
97	Housing for Bilux/H4 connector	182042	4,74 €	96	as long as stock lasts! el. connector (fem) 6-pole, kit	254984	27,67 €
98	Bulb, e.g. trunk light	282033	2,50 €	97	Socket, fits Bilux-bulb, classic style	182041	6,69 €
98	Bulb 12V/18W direction indicator	299087	3,33 €	98	Bulb 12V / 21W direction indicator	299085	1,25 €
98	Bulb, 35W, Fog light	299093	8,32 €	98	Bulb, 40/45W, Bilux	299092	3,99 €
				98	Bulb, parking light, 12V/4W, BA9S	299099	1,39 €

82.c Lighting Units USA, additional Lamps

82.c Lighting Units USA, additional Lamps



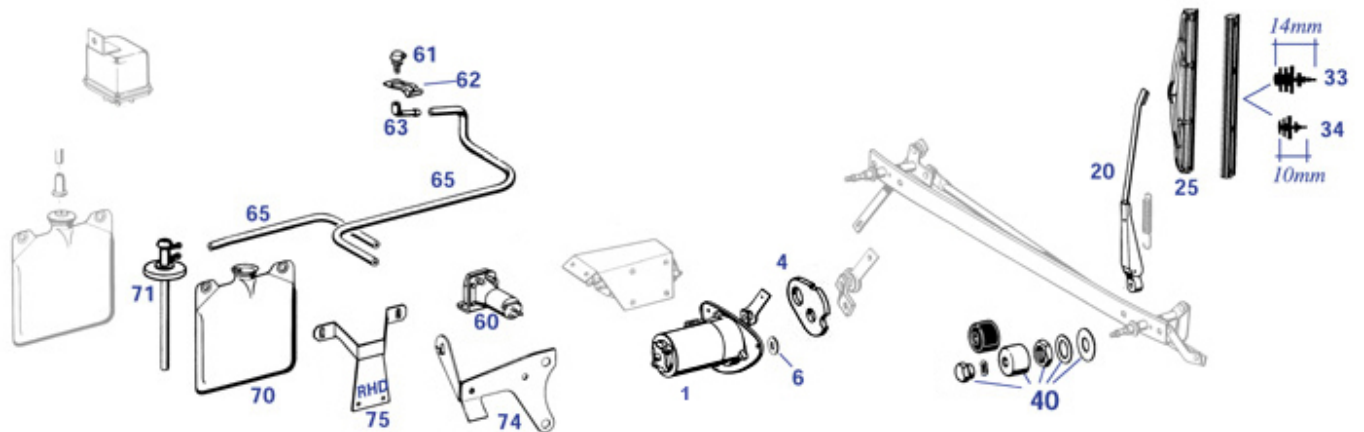
*The screen section "chrome surround" is similar to the european version, but dismantling will damage the plastic lens. Section "plastic insert" is not available separate.

Der Chromrahmen der Scheinwerfermaske ist baugleich mit der europäischen Version, lässt sich aber nur gewaltsam abnehmen. Der Kunststoffeinsatz separat ist nicht lieferbar.

Lamp unit, Bilux LHD, no rbr cap, Bosch	282015	94,75 €	21	Euro-LHD H4 Lamp fits US-frame,w.rbrcap	282917	45,84 €
---	------------------------	---------	----	---	------------------------	---------

82.d Windscreen wipe/wash

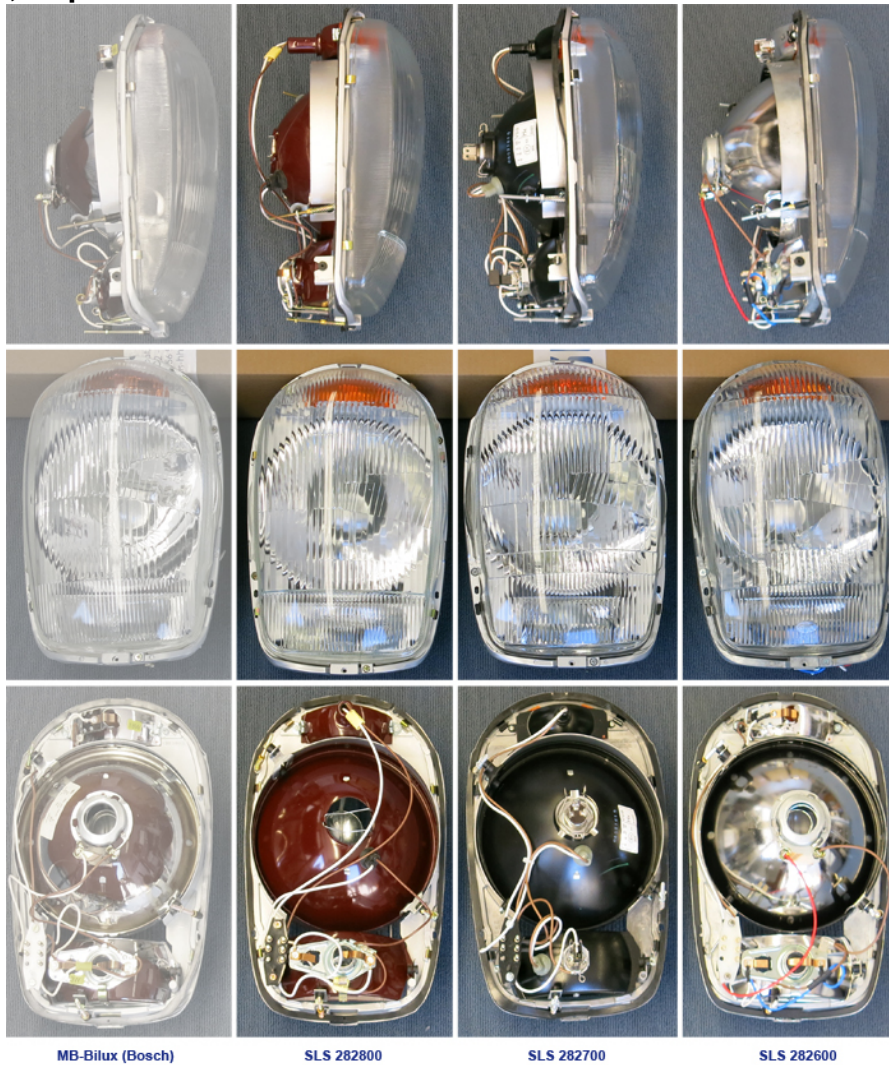
82.d Windscreen wipe/wash



cpnut	Wiper shaft nut, high gloss	282842	19,49 €	cpnut	Wiper shaft nut (VA hat)	282242	20,80 €
shimsm	safety washer with serrations 8X13X0,8, zinc plated	282243	0,26 €	capc	Chrome cap on windscreen wipe	282244	74,90 €
nut	Nut wiper shaft	282245	4,27 €	shim	Shim, w' wiper shafts	282246	0,77 €
rbr	Rubber ring, repl., w/s wiper shaft	282247	1,59 €	1	Wiper motor, overhauled, if no used one available	282480	1.359,99 €
1	Wiper motor, in exchange, after arrival of your used part	282400	1.087,26 €	4	Underlay, wiper motor to firewall W113	282248	16,01 €
6	rubber washer fits M6	299081	1,19 €	6	Rubber ring, wiper motor	282407	0,77 €
10	Tool, wiper link shaft greasing	258826	65,45 €	20	wiper arm R113, W110, right, glossy	282720	135,01 €
20	wiper arm R113, W110, LH, glossy	282710	135,01 €	25	wiper blade C111 late, 113 330mm	382722	49,21 €
34	Wiper rubber, 280SL (late)	282234	23,81 €	60	Adater wire fits new pump to old loom	286540	32,00 €
60	Con.housing, 2 pole flat	254103	0,54 €	60	El. w'washer pump, 107 early, ... No Name brand	786802	17,26 €
60	Panelling screw 4,8 x 13	799933	0,32 €	60	crimp connector	997992	0,43 €
62	Clip for washer nozzle W113	286831	5,00 €	65	Hose, w'washer, flex.,per metre	186040	1,84 €
65	Rubber grommet 3 way, bonnet cable	298778	3,55 €	65	Rbr grommet,7/10,113 washpipe,121 boot	299011	1,08 €
70	WS washer tank, repro with cap	186810	87,26 €	71	Cap,washerfluid reservoir ->ca'78	786825	14,10 €
71	Washer bag cap w.valve e.g to	186015	18,86 €	74	3pcs-assy Bracket,	229086	61,29 €

75	186015, B-Quality Support, RHD Washer bag, black	286811	77,80 €	75	clutch+waterreservoi Support, RHD-Washer bag, zinc yellow	286011	64,56 €
----	---	------------------------	---------	----	---	------------------------	---------

82.r Headlamps, Reproduction Overview



282600	Headlamp 230-280SL Euro-LHD, Bilux	282600	955,00 €	282700	Headlamp 230-280SL Euro-LHD, Halogen (H4)	282700	779,91 €
--------	---------------------------------------	------------------------	----------	--------	--	------------------------	----------

82.i Info Headlight Halogen or Bilux

82.i Info Headlight Halogen or Bilux

i - Hauptscheinwerfer
Serie oder Halogen

für Serie: BILUX 2-Fadenbirne, 40/45W, in original-Baulform R2 (SLS 299092)

für Mercedes-SA 55570 „Halogen“ Birnen H1, 55W (1-Faden, Form P14,5 s, 299090)

Umrüst-Glühbirne „Halogen-Leuchtmittel auf Bilux-Sockel“ (R2-P45t, SLS 299192), Glaskolben hat vorn eine integrierte Blendschutzbeschichtung. Höhere Lichtausbeute, jedoch ggf. nur nach Demontage des Blech-Blendschutzes (Anbauteil des Reflektors, Platzproblem) einsetzbar.

Standard-Streuscheibe „Bilux“ (Serie durchgängig für alle R113)

kastenförmige Streuscheibe bei Sonderwunsch (SA) Halogen

Das Nebellicht wurde mit modernisiert:

Serie 35W, SLS 299093

Halogen „H3“ 55W SLS 299091

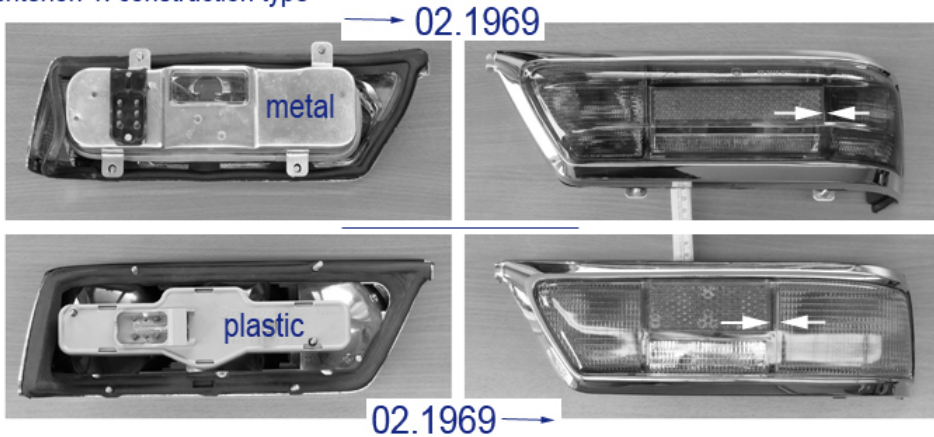
ebenso Lichtverbesserung beim Blinklicht (18W→21W)

18W	Bulb 12V/18W direction indicator	299087	3,33 €	21W	Bulb 12V / 21W direction indicator	299085	1,25 €
299090	Bulb, 55W H1, e.g. 113 if Halogen equipped	299090	2,89 €	299091	Bulb, 55W Halogen H3,fog light	299091	4,52 €
299092	Bulb, 40/45W, Bilux	299092	3,99 €	299093	Bulb, 35W, Fog light	299093	8,32 €

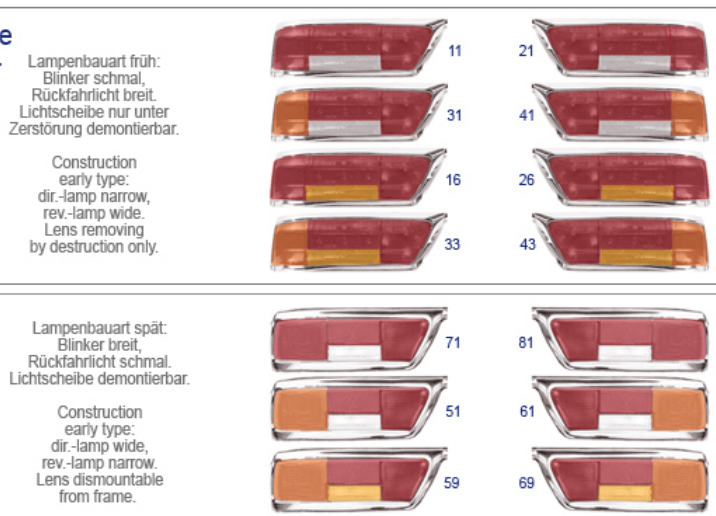
82.i Info Rückleuchten

82.i Info Rückleuchten

Kriterium 1: Bauart
 criterion 1: construction type



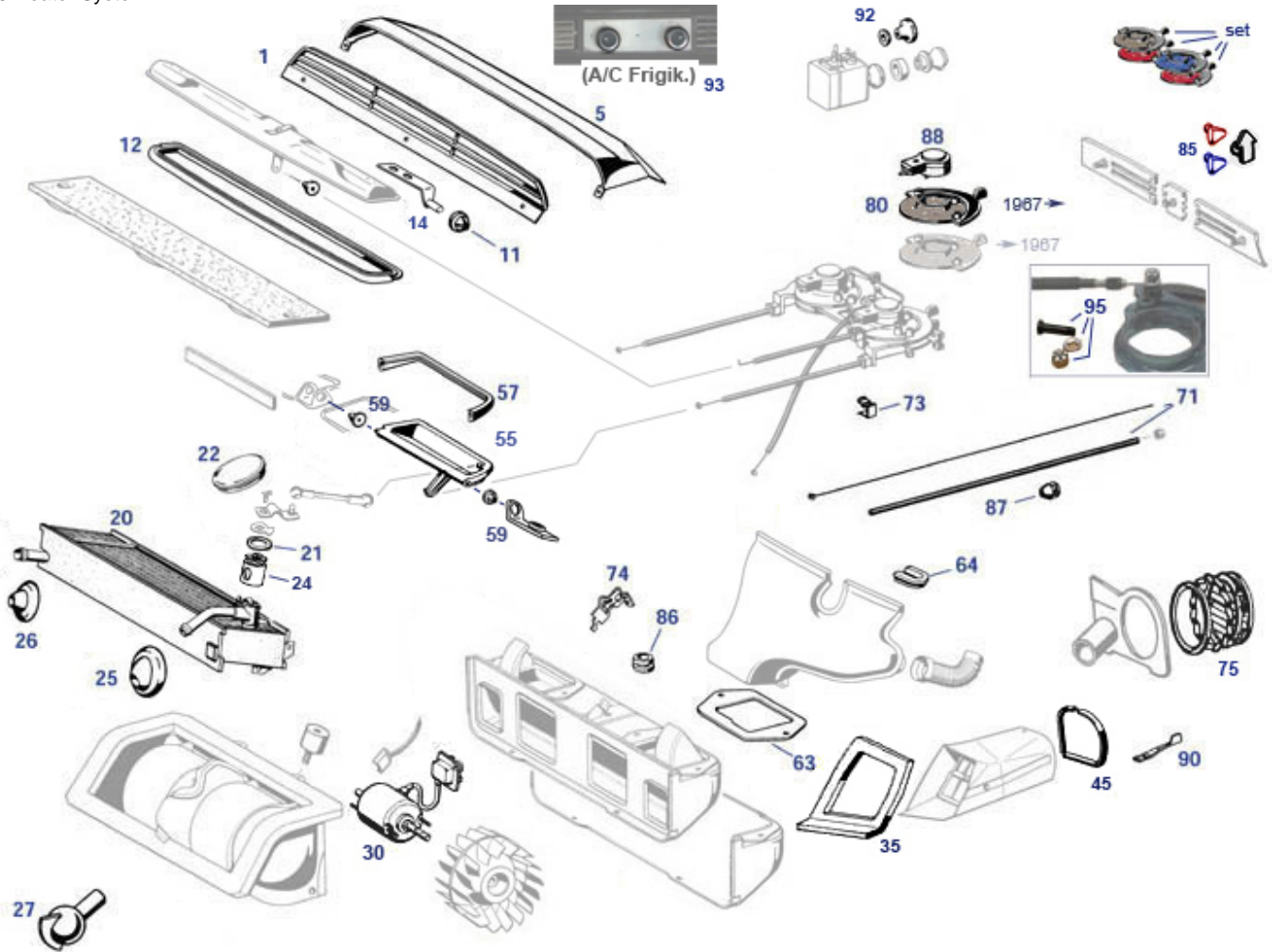
Kriterium 2: Farbe
 criterion 2: color



	Milled M5 nut, plastic, white	282655	7,04 €	11	Lens w.frame, red/red, Lt.->69, Repro	282110	517,00 €
11	Tail Lamp Lens - Left	282111	143,99 €	16	Lens early LH rd/rd/ye (FR)	282116	152,50 €
21	Lens w.frame, red/red, Rt., ->69, Repro	282120	517,00 €	21	Lens w.o. frame, red/red, Rt.	282121	143,99 €
26	Lens early RH rd/rd/ye (FR)	282126	152,00 €	31	Lens w.frame, rd/ye/wh left .,->69, Repro	282130	517,00 €
31	Left Tail Lamp Lens w/o. frame, red/yellow	282131	143,99 €	33	Taillight lens early LH rd/ye/ye (FR)	282133	143,99 €
41	Right Tail Lamp Lens w/o. frame, red/yellow	282141	143,99 €	41	Lens w.frame, rd/ye/wh RH.,->69, Repro	282140	559,99 €
43	Taillight lens early RH rd/ye/ye (FR)	282143	143,99 €	51	Lens rear light LH. 69-> red-yellow	282151	189,39 €
51	Rear light, comp.280SL Lt. 69->, red/amber	282650	533,12 €	59	Lens late LH, rd/ye/ye (FR)	282159	196,35 €
61	Lens rear light RH. 69-> red-yellow	282161	189,39 €	61	Rear light, comp.280SL Rt. 69->, red/amber	282660	533,12 €
69	Lens late RH, rd/ye/ye (FR)	282169	185,28 €	71	Lens rear light LH 69-> red/red	282171	199,99 €

83 Heater System

83 Heater System

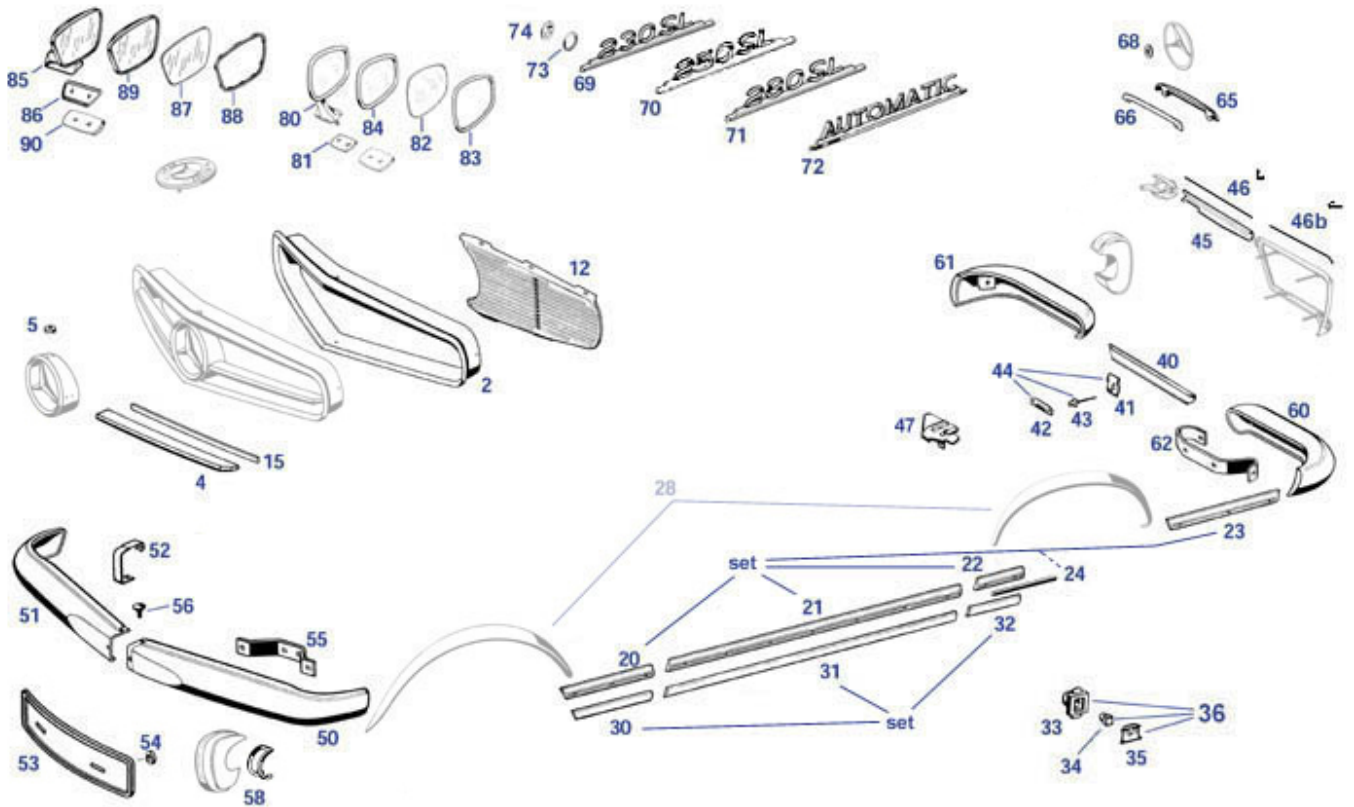


	Clip, bowden cable	775858	3,30 €		1m cooling water hose 12/19mm	250823	7,14 €
	Light bulb 12V/2W, BA7s	299079	1,99 €		Set, control discs ->67	283102	197,66 €
	aux el pump, heater hose LHD, BOSCH	583160	129,03 €		Rubbergrommet, defrost tube	183109	16,30 €
setonly	Set, control discs ->67	283101	221,99 €		Heater core LH, overhauled, non-exchange-service	183117	1.518,40 €
	overhauled heat exchanger, no used part required	283918	1.439,90 €		water fitting M32 fitting hose 250822	220122	45,08 €
1	Spring clip nut, 4,2, e.g. wing 107,..	299028	0,33 €	1	Chrome Air intake ornamental mesh, Repr	283720	731,22 €
1	Screw, grille/bodywork	283021	1,90 €	1	Chrome Air intake ornamental mesh, Repr	283620	452,20 €
5	hood above air duct grille, Repr doesn't meet genuine Quality	283820	175,77 €	5	Panel screw, lens head 3,5x13 vent hood	283031	0,18 €
11	bushing, air flaps	283825	8,81 €	12	Rubber seal, air intake flap	283810	28,39 €
12	Seal, fresh air flap	283110	70,00 €	14	Bracket, fresh air flap	283097	50,99 €
14	1 pair brackets, fresh air flap, yellow zined	283897	40,79 €	20	heater valve R113	283815	235,20 €
20	Heater radiator, Repr, incl valve	283618	844,90 €	20	We would be happy to advice you Heater radiator overh. used	283818	638,90 €
21	Sealing ring, heater valve	283022	2,31 €	22	Abdeckung Wärmetauscherventil	298845	6,77 €
22	Closing disc	298045	6,68 €	24	Valve insert, eg heater core W113	283814	26,97 €
25	Rubber grommet, inlet	299003	3,55 €	26	Rubber grommet, return	299004	0,50 €
27	Ball Grommet for Bulkhead Drainage Pipes	283032	25,75 €	35	Seal, RH air duct @ firewall, adhesive	283039	15,47 €
35	Seal, LH air duct @ firewall, adhesive	283038	15,47 €	45	Profile, air duct, 1 Meter	283026	13,01 €
55	1 pair mix air flap	283822	369,40 €	57	Strip,heater case,rubber,Rt., OE-	283028	24,99 €

57	Strip,heater case,rubber,left, OE-qual	283027	24,99 €	59	qual		
63	washer, 6,4 e.g. boot hinge	175005	0,36 €	59	1 pair brackets, inner air flaps, yellow zined	283895	37,13 €
63	Seal, defroster vent duct	283033	8,56 €	63	Screw M6 e.g. Bonnet hinges	299289	0,38 €
64	Mounting, defroster nozzle R113	283837	3,69 €	63	Hex nut M6, yellow zinc.	181023	0,18 €
71	Wire e.g. heater lever	283014	2,62 €	71	1m cable coil, outer	183072	2,90 €
74	Clip, bowden cable	775158	3,57 €	73	Clip, bowden cable/ctl.	283034	2,50 €
75	round clips, vent bezels to dash	268143	14,29 €	74	NI Lock disc,in. bowden cable	283036	0,19 €
80	lever disc blue, 250SL from FN, 280SL	283710	38,08 €	75	Air vent jet w. mesh, chrome	283070	350,92 €
80	Control disc,late FN blue	283010	28,74 €	80	Control disc,late FN red	283011	26,42 €
80	Control disc,late FNsmkd. gls.	283012	24,97 €	80	lever disc smoke, 250SL from FN, 280SL	283712	38,08 €
85	Red insert for escutcheons	183302	3,99 €	80	lever disc red, 250SL from FN, 280SL	283711	38,08 €
85	Vent-symbol "black target"	883302	4,47 €	85	Blue insert for escutcheons	183303	3,95 €
87	Rubber grommet 5/10 heating	298875	0,40 €	86	Grommet, 4,5/10mm, cable@wheelarch	182005	2,53 €
92	Knob, heater blower switch, Repro, optical shortcomings	282826	68,29 €	90	Plastic lever, vent. @ dashb.	283819	34,75 €
92	Knob small, heater blower switch, see picture	382826	61,90 €	92	Knob large, heater blower switch, Repro w.chrome nut	282726	61,90 €
92	A1108201592 Knob, heater blower switch	282026	59,99 €	92	Knob,small,heater blower switch, see picture	382825	61,90 €
93	Knob A/C Temp, blue dot	382028	41,80 €	93	Knob, A/C-vent, green dot	382027	52,30 €
				95	Bolt + crown nut + shim, wire to lever	283108	11,95 €

88.b Chrome Parts, Outer Body

88.b Chrome Parts, Outer Body

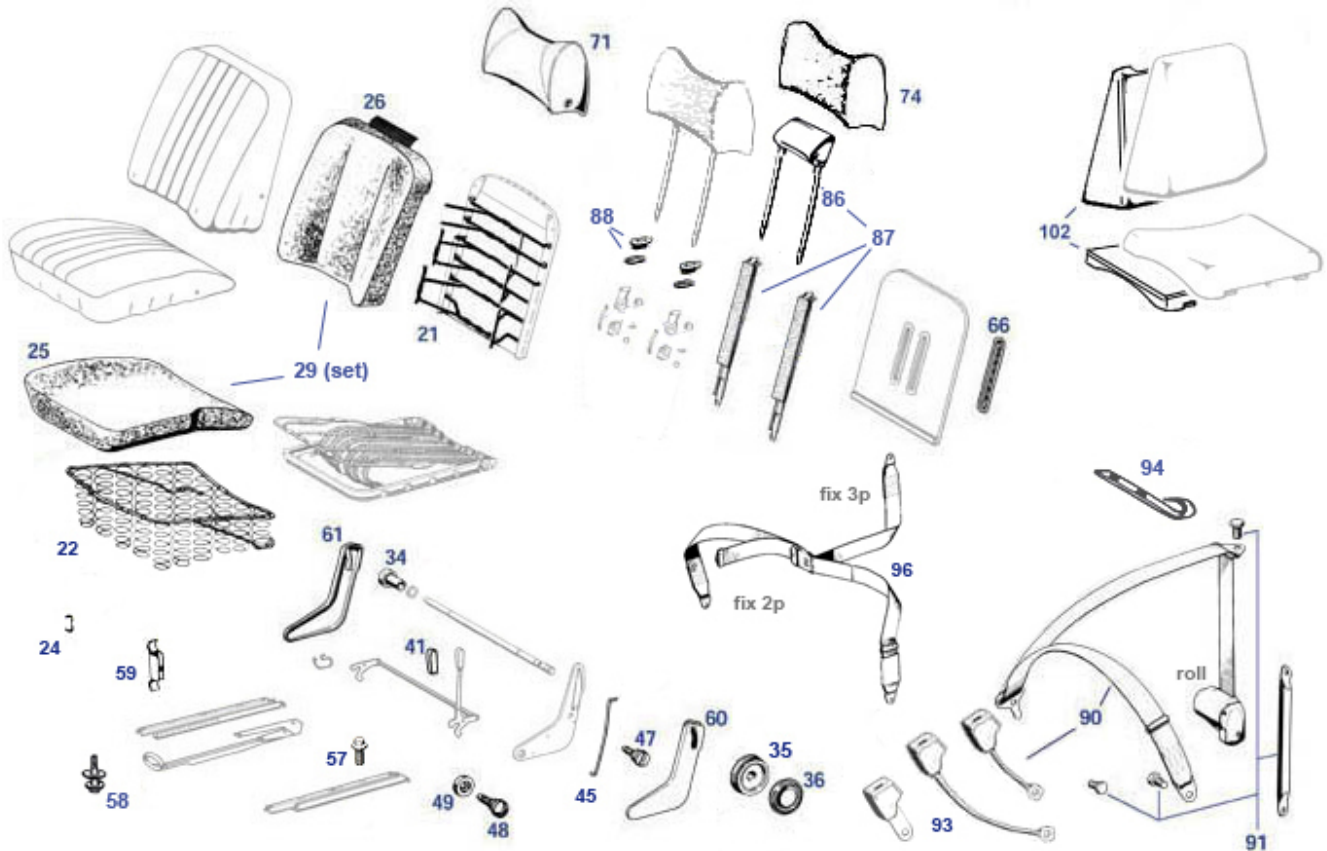


setcr	Set chrome trims 8-pcs, repro	269890	1.289,60 €	Chrome Air intake ornamental mesh, Repr	283720	731,22 €	
	Profile, bumperette, grey	189911	9,21 €	threaded stainless spacer, roof trims	299789	29,75 €	
frame	Chrome surround LH, taillight early	282132	247,34 €	frame	Chrome surround RH, taillight early	282142	247,34 €
frame	Chrome surround LH, taillight late	282152	246,98 €	frame	Chrome surround RH, taillight late	282162	246,98 €
setal	Set of 6 aluminum trims, Repro	269880	759,71 €	2	complete screw set, chrome plated	299233	399,90 €
2	Screw @ front grille, hi gloss chromed	188171	1,61 €	2	Washer, chrome, high shape, fits up to 4mm screws	288013	2,99 €
2	chromed nose frame REPRO	288111	619,86 €	2	Nut, 5mm, right hand thread	199095	0,24 €
2	Grille frame, Repro	288711	702,10 €	2	Screw @ front grille	188071	1,54 €
4	Dec. Strip, grille, Rt., Repro	288044	239,99 €	4	Spring washer M5	299325	0,11 €
4	Dec. Strip, grille, Lt. Repro	288033	239,99 €	4	Pair dec. chrome rails in front grille, repro	288834	279,65 €
5	Bolt M5x10,i.e. Star->Frame, industrial chrome finish	288048	1,45 €	5	Washer, Star/frame	288047	0,55 €
12	Washer, e.g. screws @ mesh	299045	0,21 €	12	Metal screw 4,2x13 SW7 N007976004203	299044	0,44 €
12	Radiator mesh, similar 1138800485, RH	288066	264,44 €	12	Radiator mesh, similar 1138800385, LH	288055	264,44 €
20	Screw for chrome strips	269164	0,13 €	20	GarnishmouldgR113frtlt	269070	204,14 €
20	Dec. strip, wing, front, Rt.	269080	204,14 €	21	Dec. strip, R113 @ door, Lt, chromed brass	272250	360,00 €
21	Dec. strip, R113 @ door, Rt., chromed brass	272260	310,00 €	22	Dec. strip, rr,Rt.,before whl.	269120	228,00 €
22	Dec. strip, rr,Lt.,before whl.	269110	195,52 €	23	Dec. strip, rr,Lt., after whl.	269150	308,16 €
23	Dec. strip, rear LH, after whl.	269251	241,99 €	23	Dec. Strip, rear RH, after whl.	269261	185,71 €
23	Dec. strip, rr,Rt., after whl.	269160	308,16 €	24	1m Rubber profile @ heavy trims	272266	8,33 €
31	Dec. strip, ALU R113 @ door RH, repro	272672	99,00 €	32	Dec. strip ALU, Rt., rear, repro	269640	70,00 €
33	Clip, dec. strip, plastic	269161	1,55 €	33	"Clip"blue"f.aluminumtrim@w	269171	2,92 €
34	Plug, for dec. Strip	272281	0,86 €	35	Lock washer, alu. dec. strip	272283	0,71 €
40	Dec.strip, below Eur-licence plate	269040	81,99 €	41	Clip, licence strip	270689	13,17 €

42	Clip, licence strip	298690	5,52 €	43	Rivet, rear window drip strips	270691	0,20 €
45	Trim RT, stainless steel, polished	269860	107,99 €	45	Trim RT, brass chromed, fitment @ lock problem	269060	103,51 €
45	Trim LT, stainless steel, polished	269850	107,99 €	45	Trim LT, brass chromed, fitment @ lock problem	269050	103,51 €
45	Pan head tapping screw 2,9X6,5 zinc plated	299049	0,06 €	46b	Rubber profile, 1m rear lights, R113	282157	8,22 €
46	Rubber profile, 1m, for 269050/060	269056	8,22 €	47	Chrome cap B-pillar left 230SL up to 02.1966	269829	243,95 €
47	Chrome cap B-pillar RH 230SL up to 02.1966	269839	243,95 €	47	Flat headed screw M4x7 chrome	269243	0,19 €
47	Chrome Cap B-pillar RT from 03.'66	269840	285,66 €	47	Chrome cap B-pillar left, from 03.'66	269830	285,66 €
50	Chrome Bumper repro frt. LH	288890	305,24 €	51	Chrome Bumper Repro frt. RH covering frt bumpers, Chrome	288800	305,24 €
52	Join plate, front bumper, REPRO	288110	91,00 €	52	Licence plate underlay, fr./rear, s-steel polished, fits 520mm	288910	150,00 €
53	Licence plate underlay, stainless steel, inner width 46cm	988788	29,75 €	53	Bracket, front bumper, Lt./Rt.	588088	11,90 €
54	Washer, No./Licence plate	188098	2,82 €	55	Join plate screw M8 e.g. bumper joints	288815	73,95 €
55	Bracket, front bumper, Lt./Rt.	288115	106,64 €	56	dummy pin, chrome plated 22mm head	288105	1,20 €
58	see 189911	189011	8,29 €	58	Chrome Bumper Repro rr. LH.	988106	2,62 €
58	dummy pin, chrome plated 12mm head	988105	2,31 €	60	Chrome Bumper Repro rr. RH.	288830	415,00 €
61	hex head screw M10 X 20, 10.9 zinc plated	235315	1,40 €	61	Chrome Bumper Repro rr. RH.	288820	415,00 €
62	Bracket, rear bumper, Lt./Rt.	288125	153,61 €	62	Screw, bumper bracket	288116	0,76 €
62	Washer 2mm, thick, exh-manif, bumpers .	214008	0,56 €	62	Bracket, rear bumper, Lt./Rt.	288825	96,90 €
62	Locking ring M10	299328	0,38 €	65	Handle, chrome, trunk lid	275010	160,00 €
66	Rbr underlay,boot lid handle 113,111,10	275011	7,82 €	69	Type designation: 230SL	281020	145,00 €
70	Type designation: 250SL	281021	145,00 €	72	Type designation: Automatic	281025	100,00 €
73	O-Ring blk rubber, eg Type signs	281027	0,13 €	74	Clip, 'Automatic'	281024	0,20 €
74	Clip, 230-280SL	281026	1,18 €	80	Rear view mirror, Rt. early, B-quality	281040	100,90 €
80	Rear view mirror, Lt. early, B-quality	281030	101,45 €	81	Rubber pad mirror ->'67, fits L/R	281035	2,64 €
82	Replacement glass, tinted	181026	22,00 €	83	A0008110165 Replacement nylon bezel	181027	14,70 €
84	Mirror head ->67, Repro, clear	181125	47,10 €	85	Rear view mirror, Lt. late, B-quality	281050	101,39 €
85	Rear view mirror, late, rt. B-quality	281060	101,39 €	86	Mirror underlay "trapezoid" '67->	281855	2,56 €
87	Mirror glass, flat, tinted, fits late m	281061	23,80 €	88	Ring, glass retention, 1967-> (trapez)	281062	16,66 €
89	Mirror head '67->, RH, quality deficits, Repro	281852	32,50 €	89	Mirror head '67->, LH, quality deficits, Repro	281851	42,00 €
90a	Hidden bracket, door mirror early	281057	12,99 €	90	Hidden bracket, door mirror late	281056	13,85 €

91 Seats

Seats: 03.'64 (230SL) the lower part of the seat was changed, 08.'66 (230SL) came a thicker backrest and with it the space for headrest mounts. For seat item requests, please send us a photo of the seat. Belts: 3-point roll-up belts are not planned in the body and are therefore an individual retrofit. There are various provider suggestions with advantages and disadvantages, we will be happy to advise you. Please plan the belt retrofit in good time, body work may be necessary. Without such conversions, the static belt can 299962 be used, which is available in different colors on request (delivery time).



bits	thread plate for belts	299985	16,11 €	bits	bolt belt supports, 20-UNF 7/16X1-1/4	299979	2,65 €
	Adjuster shaft (noteeth - version) 230SL	291253	39,61 €		rubber buffer for bucket seat	191191	33,32 €
bits	SL 107 Seat Belt Butler Holder Guide material PP, black	786150	26,22 €	bits	Screw for belts	299990	1,36 €
bits	Cover for belts	299989	1,25 €	bits	Screw for belts	299988	3,30 €
bits	Rod, 113 belt supp.reinf. see MB-hint	299987	17,10 €	bits	Support, lower belt shackle->B-pillar	299986	20,09 €
21	A1139100634 B'rest frame, mid. FN Lt.+R	291340	289,99 €	22	seat spring core left	291210	250,00 €
22	seat spring core right	291220	250,00 €	24	100pcs Osborne hog clips	991981	6,55 €
25	pad, rubber fibre, seat RH	291960	267,75 €	25	Foam seat cushion LT (asym.)	291850	184,45 €
25	Foam seat cushion rt. (asym.)	291860	184,45 €	25	pad, rubber fibre, seat LH	291950	267,75 €
26	Foam cushion backrest 113 late	291870	170,00 €	26	pad, rubber fibre, backrest L or R	291940	172,55 €
34	bushing, seat rest adjuster shafts	291832	9,29 €	35	FN: 113.042 from ...002927 to ...012466	291831	77,35 €
35	230SL up to VIN ...002926	291631	155,00 €	36	230SL from VIN ... 012467	291636	76,79 €
36	Cap, ca. 08.'65 -> , 110-113	291836	49,99 €	36	cover, hand wheel, seats up to 07.'67, others	291639	34,45 €
41	Knob, seat adjuster, black	291242	23,80 €	41	Knob, ivory @ R113 seat adjuster	291243	23,80 €
45	Bending spring on the backrest bracket on the right	298408	13,76 €	45	flexible spring at backrest bracket left	298407	13,76 €
47	bolt early seat 230SL, see picture	298406	17,01 €	47	Screw, 'L' plate /backrest,	298701	36,49 €
47	Upper Plastic Buffer Seat A1139180096	298402	7,85 €	47	Screw, 'L' plate /backrest,	298401	40,81 €
48	Bolt as per illustration	298405	40,81 €	48	Bolt M10, 32mm thread	298805	42,70 €
49	Spacer ring, 'L' plate, stainless steel	298703	18,87 €	49	Spacer ring, 'L' plate, steel, zincd	298803	19,37 €
57	Bolt, seat lower rail to support (floor structure)	299851	9,09 €	59	Clamp for the seats W113 Pagode 230-280SL	291245	18,64 €

60	Pair chrome covers, seat LH, late style	291247	188,70 €	60	Pair chrome covers, seat RH, late styl	291248	188,70 €
60	Pair chrome covers, seat LH, early styl	291232	198,00 €	60	Pair chrome covers, seat RH, early styl	291233	198,00 €
66	Mesh and ornamental frame, metal	291770	285,60 €	66	Pair! Mesh and ornamental frame, plastic	291970	163,49 €
71	Leather cover headrest 113, example: grey	293130	130,90 €	74	rubber hair pad, head rest insert	291948	160,65 €
74	Headrest foam insert w/o Attachments	291648	72,59 €	74	Headrest foam insert w/o Attachments	291748	58,31 €
78	oval eye, headrest rods	291843	2,90 €	80	Raw frame and bracket, headrest retrofitting	291647	740,00 €
90	Automatic 3pt belt R113 subsequent	299973	105,90 €	90	Seat belt lock 22cm	299970	23,80 €
90	Seat belt 3pt Aftermarket 22cm lock	299964	68,89 €	93	Seat belt lock 30cm	299943	23,80 €
93	Seat belt lock 45cm, requires fixture as manual 91.18	299944	23,80 €	96	pelvic seat belt "static"	299968	112,99 €
96	Seat belt "static" 3-point, black	299965	84,75 €	96	Seat belt "static" 3-point, black, chrome lock	299962	135,01 €
100	Leather for 3rd seat, e.g. black	293190	499,80 €	102	rr seat framework + cushion	268875	549,99 €

99.a Accessories

99.a Accessories



	wheel mounting aid, aluminium, 130mm, M12 X 1,5	740213	14,25 €		Washer 13mm e.g. prop shaft disc bolts	741122	0,50 €
	fly wheel extracting tool	258205	308,20 €		Lift adapter 108-111-113	258610	163,49 €
	Automatic-Antenna Auta 2050, new version, front mount	299935	176,72 €		Wheel clamp, anti-theft "Nemesis"	940902	261,80 €
	Wheel clamp, anti-theft	940901	53,55 €		Knob, radio	254850	32,00 €
	Support, Tire holder @ inner wheelarch	164058	91,40 €		1 pair of tire protection underlay pads	940900	52,00 €
	Tire jack holder 190SL	164043	130,00 €		label: tire pressure W109	899951	26,26 €
	Jack/tool support	164054	126,00 €	1	Spare wheel holder	240015	463,60 €
2	Wing screw 230SL FN	240006	42,53 €	3	A3269900740 Washer, wing screw	240009	16,54 €
6	N/A: Cone handle screw, horiz. spare tyre	240818	100,00 €	6	Cone handle screw, horiz. spare tyre	240018	115,00 €
7	Plate, spare tyre screw	240019	65,55 €	7	Plate, spare tyre screw	240819	69,62 €
9	A1158900014 Screwplate with offset lev	240014	240,00 €	10	Tool bag without tools	258806	48,79 €
10	leatherbag for chrome handle cognac	258804	28,62 €	10	leatherbag for chrome handle red	258803	28,62 €
10	leatherbag for chrome handle black	258802	28,62 €	14	Wheel nut wrench, orig, latest version	259101	23,50 €
15	wheel mounting aid, aluminium, 100mm, M12 X 1,5	740210	12,95 €	15	Mounting bolt for tyre service, chromed	259809	49,24 €
19	Safety wedge f. tyre service	258110	286,20 €	30	25Amp fuse, short version, NOS	258991	5,69 €
35	Vinyl covering, spare tyre (horiz-lev)	289889	221,99 €	35	Staubfrei Handfeger Cotton, 35cm	999915	49,99 €
40	Label set, 9 piece, self adh.	299950	30,64 €	42	Gummed label, M130 Valve Cover	299953	6,25 €

52	Book: Glenns MB Repair & Tune Up Guide	111301	29,75 €	52	Book(german) MB190SL,230-280SL	211300	59,38 €
52	Book "Ultimate Portfolio" SL'63-71	211308	35,22 €	52	"Book:"Buyers Guide Pagoda", Brass"	211306	26,18 €
55	Antenna insert 900mm	799970	32,49 €	55	Antenna, manual, red knob	299967	101,95 €
60	Wind mesh "Weyer" 230-280SL Pagoda	286805	475,99 €	60	Wind mesh "Weyer" 230-280SL Pagoda, For vehicle with 3rd seat	286806	265,00 €
60	Wind mesh "Weyer-Premium" 230-280SL Pagoda, premium quality	286807	499,99 €	69	Speedo watch 280SL pagoda	299996	169,99 €
69	Armbanduhr "Tacho-Design" Strich-Acht	599996	169,99 €	70	Car cover W113, Pagode	299905	269,15 €
70	Indoor Car Cover Premium, "L", grey	299909	89,86 €	70	Car cover, W113, Pagoda, outdoor	299906	355,81 €
70	Car cover "FirstClass",Sport large blue	799800	199,99 €	80	1 pce Wing prot.cover, cotton, magnet	999922	37,00 €
86	professional battery charger 10A	954090	267,75 €	90	Battery main switch	954088	26,00 €