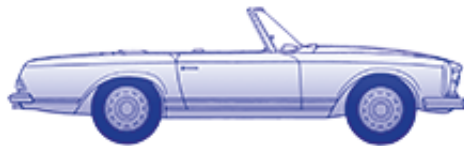


## Mercedes 230 - 280SL (W113)



SLS Import- und Export Handelsgesellschaft mbH

## Content

<b>03 Engine M127 M129 M130</b>	5
01 Crankshaft Housing	5
03.a Crankshaft and Pistons	6
03.b Info Pistons 230-280SL (R113)	7
03.c Info Piston Ring Enquiry	8
05.a Cyl.Head, Camshaft, Valves	9
05.b Zyl.Kopfschrauben Info	11
05.c Timing Chain	12
<b>07 Mech.Injection, Air Intake, ...</b>	14
07.a Injection System	14
07.b Injection Pump	15
09 Air-Intake and Aircleaner	15
<b>15 Electrical Equipment at Engine</b>	18
15.a ignition	18
15.c Starter and Generator	19
15.e Electronic Ignition System, "1-2-3"-Retrofit	20
15.e Electronic Ignition System, "1-2-3"-Retrofit	21
07.c electric engine control	21
15.i Info Spark Plugs	22
<b>18 Engine Lubrication</b>	24
<b>22 Enginemounts</b>	25
<b>25, 26 Clutch + 4-Speed-Box</b>	26
25.a Clutch (manual), mechanic/hydraulic components	26
26.a Gearbox (manual)	27
26.b Gearlever Linkage	28
29.i Info Veränderung der Hydraulikteile	29
<b>27 Automatic Gearbox</b>	30
27.a Automatic Gearbox	30
27.b Automatic: Linkage and Connecting Parts	31
25.c Hydr. Clutch	32
27.i Info Belagzustand	32
<b>30 Acc Linkage</b>	33
<b>32, 33 Front suspension</b>	34
33.a Front Axle	34
33.c separate items control arm bearing	35
32 Info Bilstein Shock Absorbers	36
<b>35, 40, 41 Rear Suspension, Wheels, Propeller Shaft</b>	38
35.a Rear Suspension	38
40 Wheels and Propeller Shaft	40
35.b Info Axle Ratio	41
35.c Info Axle Bearing rear	42
35.d Info rear spring retainer and trailing arm	43
<b>42 Brakes</b>	45
42.a Brake (Wheels)	45
42.b Girling brake-caliper	46
43 Mastercylinder	47
42.c Brakepipes	49
42.d Handbrake	49
<b>46 Steering</b>	51
46.a Steering, Linkage	51
46.b Steering Column up to 07.67	51
46.c Steerg. column from 07.67	52
46.d Steering Gearbox, Fluid Pump	53
46.e Special Steering Wheels	55

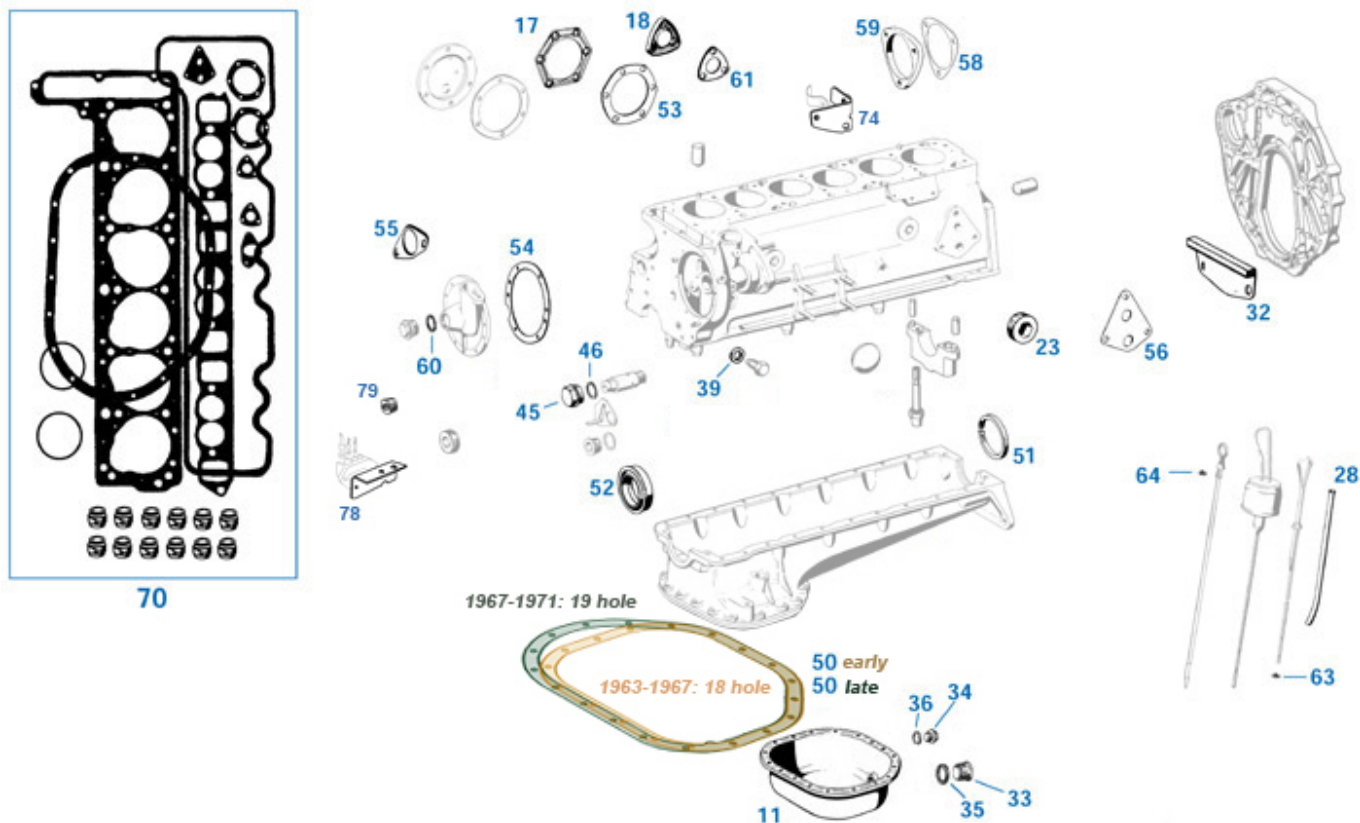
<b>47 Fuel Tank</b>	56
<b>49 Exhaust Systems</b>	58
49.a Exhaust System, standard	58
49.b Stainless Steel Exhaust 230SL 250SL 280SL	59
<b>50 Cooling System</b>	60
50.a Cooling System 230SL	60
50.b Cooling System 250SL	61
50.c Cooling System 280SL	62
<b>54 Electrical Equipment at Body</b>	65
54.a Instruments	65
54.b Main wiring harness	66
54.c Equipment for Cable Harness	67
54.d Rubber Grommets	69
54.i Info Battery Dimensions	70
<b>62 Body, Frame &amp; Panelling</b>	72
61 Floor Panels 230SL 250SL 280SL	72
61.a Info frame rail parts	73
62 Body, front	74
64 Panelling	75
<b>67 Windscreen 230SL 250SL 280SL</b>	78
<b>68 Covering, insulation, wood</b>	79
68.a Dashboard coverings	79
68.b Mats, Noise Reduction	80
68.c Rockerpanel and trim	81
68.d Covering under dashboard	82
68.e Floor mats, info and attached parts	83
<b>72 Door</b>	85
72.a Door	85
72.c Door Window	86
72.d Info window crank handle	87
72.b Info Door Catch	88
89 Locking System	89
<b>75, 88 Trunk, Softtop-Box, Bonnets/Lids</b>	91
88 Engine Bonnet and Grille Garnish	91
75.c Softtop Box	92
75.6 Boot Lid and Trunk Equipment	93
<b>77, 79 Softtop &amp; Hardtop</b>	96
77.a, Softtop frame and equipment	96
77.b, Softtop/Verdeck Stoffbezug	97
79 Hardtop	98
77.c, 86.b Wind protector	100
77.d, 86.c Info MB/Oris wind protector	101
79.b Hardtop Storage	101
<b>81 Mirrors, Sunvisors, Int/Ext Eqmt.</b>	103
<b>82 Lighting and Wiper</b>	105
82.a Lighting Units, standard	105
82.b compatible parts fitting Bosch-Bilux	106
82.c Lighting Units USA, additional Lamps	107
82.d Windscreen wipe/wash	108
82.r Headlamps, Reproduction Overview	109
82.i Info Headlight Halogen or Bilux	109
82.i Info Rückleuchten	110
<b>83 Heater System</b>	112
<b>88.b Chrome Parts, Outer Body</b>	114
<b>91 Seats</b>	116
<b>99.a Accessories</b>	118

Jacobsrade 27 · D-22962 Siek  
Tel. +49(0)40 656 939-0 · Fax +49(0)40 656 939-399  
I-net: [www.sls-hh.de](http://www.sls-hh.de) · e-mail: [service@sls-hh.de](mailto:service@sls-hh.de)

## 03 Engine M127 M129 M130

### 01 Crankshaft Housing

#### 01 Crankshaft Housing



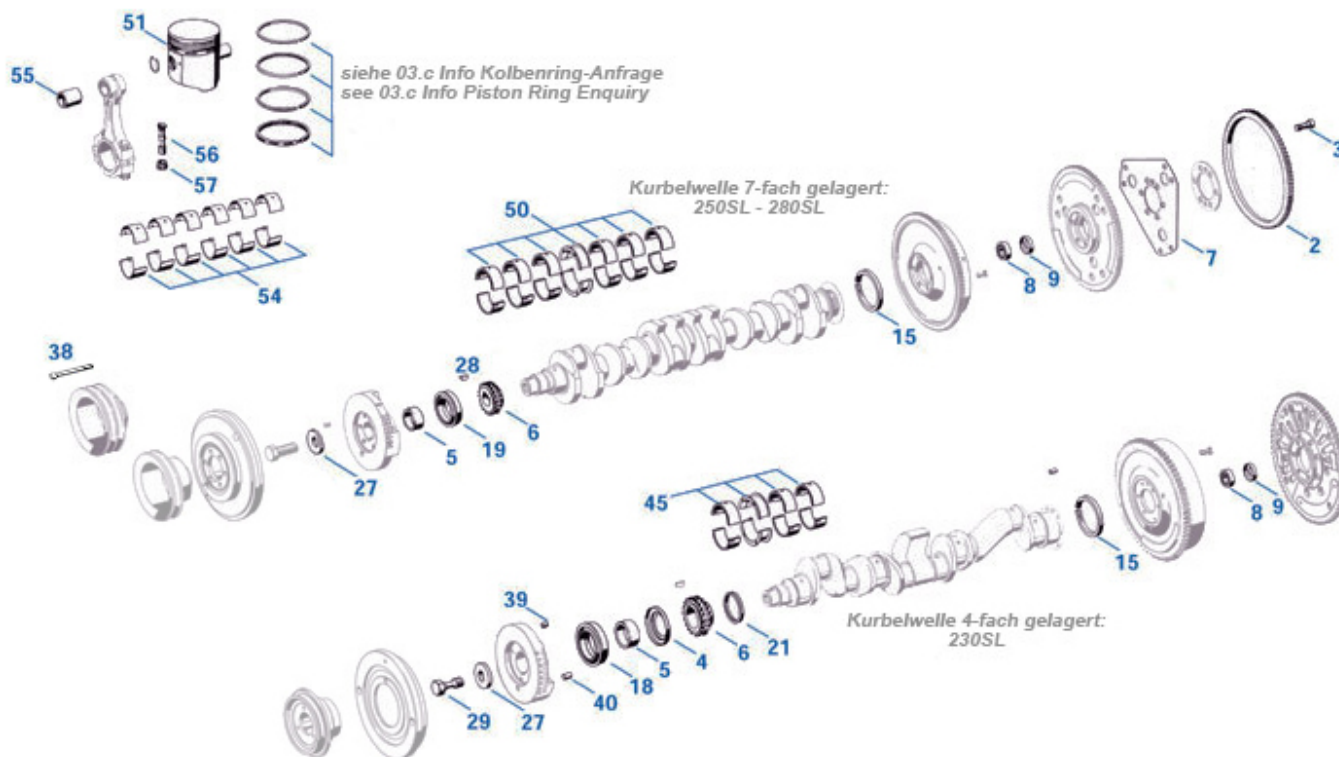
Fastest distinguishing feature for removed engines from non-SL: missing rev counter drive, saloon engine arms. Unfortunately, a list of assignments of the cast fuselage blank part numbers to later engine numbers is not available. The original SL condition includes this type arrangement: 230SL = 113.042 = engine M127.981, detection: 4-way crankshaft bearing, 6-piston injection pump (deviating from M127-220SEb two-piston); 250SL = 113.043 = M129.982 engine, detection: 7-way crankshaft bearing, pistons 82.00 to 83.00, oil-water heat exchanger; 280SL = 113.044 = engine M130.983, detection: pistons 86.50 to 87.50 Both sedan engines and replacement engines can be found in large numbers, including engines without a sticker. The catalogue pages 03.b (assignment of pistons) and 05+05.a (identification and assignment of the head gasket) serve as an aid in the event of an uncertain engine ID. Further changes (e.g. oil pan enlargement shown) took place in the current series (and/or as a result of replacements), so a prior review is advisable.

	Cylinder head gasket 280SL/SE late, brand REINZ-GLASER	<a href="#">201722</a>	79,08 €		Hollow screw e.g.M127 breather banjo	<a href="#">309898</a>	25,13 €
	Seal ring, fits plastic oil filler caps, 47 x 59 x 2,5	<a href="#">701356</a>	1,87 €		Valve spring, Outer	<a href="#">105811</a>	12,99 €
	Seal, oil filler cap	<a href="#">701355</a>	1,09 €		Washer, M12 cylinder head bolt	<a href="#">101822</a>	2,86 €
10	Washer 8,4mm, standard, yellow zined	<a href="#">299326</a>	0,11 €	10	Bolt 6x16 e.g. pan, in-hex	<a href="#">701319</a>	0,48 €
11	Lower pan, oil pan, 280SL replaced style	<a href="#">201214</a>	22,25 €	17	Cylinder block cover, 6-hole	<a href="#">201026</a>	2,05 €
17	Bolt M6 x 12 in-hex	<a href="#">299043</a>	0,36 €	18	Sealing plate , 3 hole, 280SL	<a href="#">201027</a>	1,46 €
23	Hexagon socket pipe plugs with taper fine pitch thread M30X1,5	<a href="#">201005</a>	4,88 €	23	A1272000456 Fitting, oil heat exchanger	<a href="#">201006</a>	42,84 €
28	Dipstick pipe from 09.'68, to 218117	<a href="#">218114</a>	28,43 €	31	Dipstick,280SL late, Repro, poor paint	<a href="#">218117</a>	29,93 €
32	Cover plate eng-to-autm flange early	<a href="#">225058</a>	95,72 €	32	Plate , cover, gearbox case	<a href="#">225056</a>	33,97 €
33	Gasket,water valve cover, 6-hole	<a href="#">201029</a>	2,00 €	33	Sump plug, version inhex	<a href="#">299300</a>	4,69 €
34	Plug screw oil sump M12 (fits replaced pan)	<a href="#">299312</a>	1,32 €	34	Plug screw oil sump M12 (fits replaced pan)	<a href="#">299302</a>	0,81 €
35	Sealing ring fits lage sump drain plug (M26)	<a href="#">299301</a>	0,31 €	35	Gasket, thermostate	<a href="#">120011</a>	1,32 €
35	Gasket, housing to engine	<a href="#">220014</a>	1,25 €	36	Seal ring, sump plug	<a href="#">299303</a>	0,13 €
37	parallel pin, tolerance zone m6, 10 X 14	<a href="#">101190</a>	1,34 €	39	alu seal ring M12, eg.eng.block @ chain	<a href="#">298712</a>	0,13 €
40	sealing ring, aluminium 30mm	<a href="#">215032</a>	0,81 €	45	Plug screw M18 e.g. pressure valve	<a href="#">218815</a>	15,66 €

45	Plug screw M24 e.g. pressure valve	<a href="#">218816</a>	29,75 €	46	Seal Ring   gear box drain plug	<a href="#">226047</a>	0,44 €
50early	Sump gasket early (=18-hole), brand DPH	<a href="#">201800</a>	12,20 €	50early	Sump gasket early (=18-hole), brand Elring	<a href="#">201000</a>	18,59 €
50late	Sump gasket late (=19-hole), 280,..., Elring	<a href="#">201001</a>	16,96 €	50late	Sump gasket late (=19-hole), 280,..., DPH	<a href="#">201801</a>	16,61 €
51	Rear oil seal, 8 mm, from ca. 05.'61	<a href="#">205046</a>	8,71 €	52	Oilseal, C/S frt., no collar	<a href="#">203046</a>	20,38 €
52	C/S seal ring frt 6-cyl, collar 180°	<a href="#">203946</a>	13,55 €	52	Seal ring C/S frt M127 early, slim shape	<a href="#">303046</a>	12,20 €
52	C/S frt seal ring, collar 360°,M127+others, picture	<a href="#">303946</a>	9,38 €	54	Gasket, front engine cover	<a href="#">215724</a>	4,02 €
54	Gasket, front engine cover	<a href="#">215824</a>	6,13 €	56	Gasket, upr.filter hsg./engine	<a href="#">118008</a>	1,69 €
58	Gasket, injectuon pump->engine	<a href="#">207835</a>	1,15 €	61	small cover gasket	<a href="#">201828</a>	0,99 €
61	Gasket, water cover M130 and M110, 3-hole	<a href="#">201028</a>	0,84 €	64	O-ring, dip stick late (plastic handle)	<a href="#">218119</a>	0,62 €
70	Set gasket rings	<a href="#">201199</a>	18,78 €	70	Cylinder head gasket 280SL, late M130.983-10 from engine number	<a href="#">201622</a>	164,47 €
74	bracket, oil pipe, M130	<a href="#">218288</a>	30,58 €	74	bracket, oil pipe M130 near pump flange	<a href="#">218286</a>	30,58 €
78	bracket, wire terminal at oil pan	<a href="#">215154</a>	30,58 €	78	Rubber grommet 11/30, blue silicon rubber	<a href="#">299517</a>	1,59 €

## 03.a Crankshaft and Pistons

### 03.a Crankshaft and Pistons



	Piston ring set 82,50 mm, Mahle 3 ring	<a href="#">203003</a>	239,79 €	see 203091	<a href="#">203089</a>	69,39 €	
	Rings per piston, Mahle 82V33+, 4rings	<a href="#">203001</a>	62,89 €	2	Ring gear, starter, all M127,129,130	<a href="#">203200</a>	54,92 €
3	Flywheel stretch bolt	<a href="#">103029</a>	9,98 €	3	Bolt, flywheel, man.250-280   M12x20	<a href="#">203029</a>	26,86 €
3	Bolt, flywheel Autm. 129-130, 127FN	<a href="#">203027</a>	42,19 €	4	Oil reject ring	<a href="#">103012</a>	7,79 €
5	Ring, spacer, 230-280SL	<a href="#">203045</a>	31,00 €	6	Crankshaft sprocket	<a href="#">103011</a>	32,67 €
8	Pilot bearing	<a href="#">103093</a>	11,31 €	9	Cover, pilot bearing	<a href="#">103094</a>	1,81 €
15	Rear oil seal, 8 mm, from ca. 05.'61	<a href="#">205046</a>	8,71 €	18	C/S frt seal ring, collar 360°,M127+others, picture	<a href="#">303946</a>	9,38 €
18	Seal ring C/S frt M127 early, slim	<a href="#">303046</a>	12,20 €	19	C/S seal ring frt 6-cyl, collar 180°	<a href="#">203946</a>	13,55 €

	shape						
19	Oilseal, C/S frt., no collar	<a href="#">203046</a>	20,38 €	27	Washer	<a href="#">103083</a>	7,14 €
29	Necked down bolt for crankshaft pulley	<a href="#">103085</a>	8,21 €	32	fly wheel extracting tool	<a href="#">258205</a>	308,20 €
38	In-Hex bolt e.g. pulley, 10.9 M8x65	<a href="#">203274</a>	1,33 €	45	Cs.bearing set 230SL 59.00mm	<a href="#">203040</a>	176,00 €
45	Cs.bearing set 230SL 59.75mm	<a href="#">203037</a>	190,00 €	45	Cranks.bearing set 60.00 , M127	<a href="#">203036</a>	199,99 €
45	Cs.bearing set 59.50mm M127	<a href="#">203038</a>	189,45 €	45	Cs.bearing set 230SL 59.25mm	<a href="#">203039</a>	163,86 €
50	Cs.bearing set 59,50mm, M130, ...	<a href="#">203122</a>	176,00 €	50	Cs.bearing set 59.75mm, M129, M108	<a href="#">203042</a>	182,07 €
50	Cs.bearing set 60.00mm, M129, M108	<a href="#">203041</a>	176,00 €	50	Cs.bearing set 280SL 59.25mm	<a href="#">203123</a>	176,00 €
50	Cs.bearing set 59.50mm, M129, M108	<a href="#">203117</a>	233,00 €	50	Cs.bearing set 59.25mm, M129, M108	<a href="#">203118</a>	222,45 €
50	Cs.bearing set 59.00mm, M129, M108	<a href="#">203119</a>	209,00 €	50	Crank Shaft Bearing Set 280SL 60.00mm	<a href="#">203120</a>	229,00 €
50	Cs.bearing set 59.75mm, M130	<a href="#">203121</a>	176,00 €	51	last on stock:Piston,230SL FN 82.00mm	<a href="#">203030</a>	300,01 €
51	Piston for 230SL first generation, 83.00mm	<a href="#">203034</a>	386,75 €	51	Piston 230SL from FN, 83.00	<a href="#">203035</a>	712,31 €
51	Piston,280SL Euro, 87.00mm, Mahle	<a href="#">203084</a>	173,80 €	51	Piston,280SL Euro 87.50mm	<a href="#">203086</a>	160,98 €
51	A1140309417 Piston,250SE/SEC/SL 82.00mm	<a href="#">203050</a>	159,20 €	51	Piston,250SE/SEC/SL 82.50mm	<a href="#">203052</a>	159,20 €
51	Piston,250SE/SEC/SL 83.00mm	<a href="#">203053</a>	155,18 €	51	Piston,280SL Euro 86.50mm	<a href="#">203080</a>	171,18 €
51	Piston,M130 USA FN 87.00mm	<a href="#">203085</a>	124,91 €	54	Con rod br. set 280SL 47.75mm	<a href="#">203141</a>	163,86 €
54	Con rod br. set 280SL 47.00mm	<a href="#">203144</a>	163,86 €	54	Con rod br. set 280SL 47.25mm	<a href="#">203143</a>	163,86 €
54	Con rod br. set 47.50 mm, 280SL	<a href="#">203142</a>	163,86 €	54	Con rod br. set 48.00mm, 280SL	<a href="#">203140</a>	163,86 €
54	Con rod br. set 250SL 47.25mm	<a href="#">203138</a>	163,86 €	54	Conrod bearg. set 47.50 mm, M129...	<a href="#">203137</a>	163,86 €
54	Con rod br. set 250SL 47.75	<a href="#">203136</a>	163,86 €	54	Con rod br. set 48.00mm, M129...	<a href="#">203135</a>	163,86 €
54	Con rod br. set 230SL 47.25mm	<a href="#">203133</a>	163,86 €	54	Con rod br. set 47.50mm, M127...	<a href="#">203132</a>	163,86 €
54	Con rod br. set 230SL 47.75mm	<a href="#">203131</a>	163,86 €	54	Con rod br. set 48.00 mm, M127...	<a href="#">203130</a>	163,86 €
55	Piston pin bushing, 280SL	<a href="#">203014</a>	9,98 €	56	Stretch Bolt for connecting rods, 190, 230 up 4-65, Repro	<a href="#">103075</a>	11,65 €

## 03.b Info Pistons 230-280SL (R113)

03.b Info Pistons 230-280SL (R113)

**Kolben 82-83mm, 230SL, 250SL, Ersatzteile heute, teils durch Ersetzung, Zwischenstufen (0.25) entfallen**

	Version	von	Version	bis	Std-Maß	1. Rep.-Maß	2. Rep.-Maß	Bolzen	Kompr.-Höhe Bolzenmitte-<->Boden	Ringe
	10/12/20/22	lfd. Mot-nr.	10/12/20/22	lfd. Mot-nr.	82,00mm	82,50mm	83,00mm	mm	mm	
<b>1. Generation 230SL</b>	Schalter Autom.	06420 01311	Schalter Autom.	009301 002357	<b>203030</b>	<b>203028</b>	<b>203034</b>	<b>24,0</b>	<b>42,2</b>	<b>4</b>
<b>2. Generation 230SL</b>	Schalter Autom.	009302 002358	Schalter Autom.	010833 003010	<b>203024</b>	<b>203043</b>	<b>203044</b>	<b>24,0</b>	<b>52,2</b>	<b>3</b>
<b>3. Generation 230SL</b>	Schalter Autom.	010834 003011	Schalter Autom.	Ende Ende	<b>203031</b>	<b>203033</b>	<b>203035</b>	<b>25,0</b>	<b>52,2 / 51,6 / 51,6 je -1,0 Absatz</b>	<b>3</b>
<b>250SL</b>	M129.980/981/982 alle				<b>203050</b>	<b>203052</b>	<b>203053</b>	<b>25,0</b>	<b>48,6</b>	<b>3</b>

**Kolben 86,5-87,5mm, 280SL, (S/SE auf Anfrage) Ersatzteile heute, teils durch Ersetzung, Zwischenstufen (0.25) entfallen**

	Version	von	Version	bis	Std-Maß	1. Rep.-Maß	2. Rep.-Maß	Bolzen	Kompr.-Höhe Bolzenmitte-<->Boden	Ringe
	10/12/20/22	lfd. Mot-nr.	10/12/20/22	lfd. Motor-nr.	86,50mm	87,00mm	87,50mm	mm	mm	
<b>280SL std. alle, 280SL USA 1. Generation</b>	Schalter Autom.		004596 007229		<b>203080</b>	<b>203084</b>	<b>203086</b> 88,00 falls erhältlich: <b>203088</b>	<b>25,0</b>	<b>49,2 / 48,6 / 48,6 je -1,3 Absatz</b>	<b>3</b>
<b>280SL USA 2. Generation</b>	Schalter Autom.	004597 007230			<b>203081</b>	<b>203085</b>	<b>203087</b>	<b>25,0</b>	<b>47,9</b>	<b>3</b>

Die erhältlichen Kolben sind jeweils die letzte Version einer "Generation".  
Mehrfache Änderungen haben speziell im 230SL zu einer Vielzahl veralteter  
Kolbenbauarten geführt.  
Der Ersatz kann Änderung der Verdichtung zur Folge haben.

Vor Bestellungen bitten wir um Angabe aller erkennbaren Maße und Zeichen  
auf den ausgebauten Kolben.

The available pistons are always the latest version of a "generation".  
The 230SL-engine had a couple of changes, which caused a high number of  
obsolete piston designs.  
The replacement may cause a different compression ratio.

Please send all visible signs and measures of the dismantled pistons.

203028	A1270308517 Piston,230SL FN 82.50mm	<a href="#">203828</a>	297,49 €	203030	last on stock:Piston,230SL FN 82.00mm	<a href="#">203030</a>	300,01 €
203034	Piston for 230SL first generation, 83.00mm	<a href="#">203034</a>	386,75 €	203035	Piston 230SL from FN, 83.00	<a href="#">203035</a>	712,31 €
203050	A1140309417 Piston,250SE/SEC/SL 82.00mm	<a href="#">203050</a>	159,20 €	203052	Piston,250SE/SEC/SL 82.50mm	<a href="#">203052</a>	159,20 €
203053	Piston,250SE/SEC/SL 83.00mm	<a href="#">203053</a>	155,18 €	203080	Piston,280SL Euro 86.50mm	<a href="#">203080</a>	171,18 €
203084	Piston,280SL Euro, 87.00mm, Mahle	<a href="#">203084</a>	173,80 €	203085	Piston,M130 USA FN 87.00mm	<a href="#">203085</a>	124,91 €
203086	Piston,280SL Euro 87.50mm	<a href="#">203086</a>	160,98 €	203087	Piston M130 USA late, 87,50mm	<a href="#">203087</a>	135,66 €

## 03.c Info Piston Ring Enquiry

03.c Info Piston Ring Enquiry





## Hinweis zur Anfrage von Kolbenringen How to require piston rings

Kolben-Identifizierung allein anhand von Motordaten ist leider nicht möglich.

Eine Bestellung von Kolbenringen erfordert deshalb zwingend diese Angaben:

Piston identification and piston ring order necessarily needs following data:

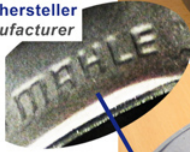
Kolbenhersteller  
Piston manufacturer



Zahl der Ringe  
No. of rings

Wichtig:  
Guss-Nummer  
/Typ Nummer

Important:  
cast- / type no.



Im Normalfall wird ein Satz Ringe PRO KOLBEN angeboten. (IN SONDERFÄLLEN sind auch Sätze PRO MOTOR möglich.)  
Usually rings are offered for 1 piston. (SOMETIMES rings for 1 engine can be offered.)

Tipp zur Motorinstandsetzung:  
beginnen Sie keine Bearbeitung von Oldtimer-Motorblöcken bevor ein Vergleich der Altteile und Neuteile stattgefunden hat. Bekannte Schwierigkeiten:  
- Liefersituation kann unzuverlässig sein  
- Rep.-Maße nicht lückenlos erhältlich  
- Produktions-Soll-Maße können leicht schwanken  
- alter Motor enthält Fremdbauteile  
- Bauart ersetzter Teile weicht ab.  
Ihr professioneller Motoreninstandsetzer ist mit der Situation vertraut und kann nach Befund eine Empfehlung aussprechen. Zur Ermittlung von Reparaturgrößen können Probebearbeitungen nötig sein. Umtausch nicht möglich, wenn Teile oder Verpackungen beschädigt sind.

Hint for engine recondition  
Please don't start any work on your vintage engine blocks before comparing the old to the new parts. Known difficulties:  
- Delivery situation might not be reliable  
- Not all repair measures are available  
- Production measures may differ  
- Type of replaced parts may differ  
Your professional engine-workshop is familiar with the situation. After compliance status he can recommend what to do. To find out the right repair measures it might be necessary to do test works. Return/exchange is not possible if parts or packaging is damaged.

Motor: 280SL USA 1971  
-Nr: 130.983-12-023456

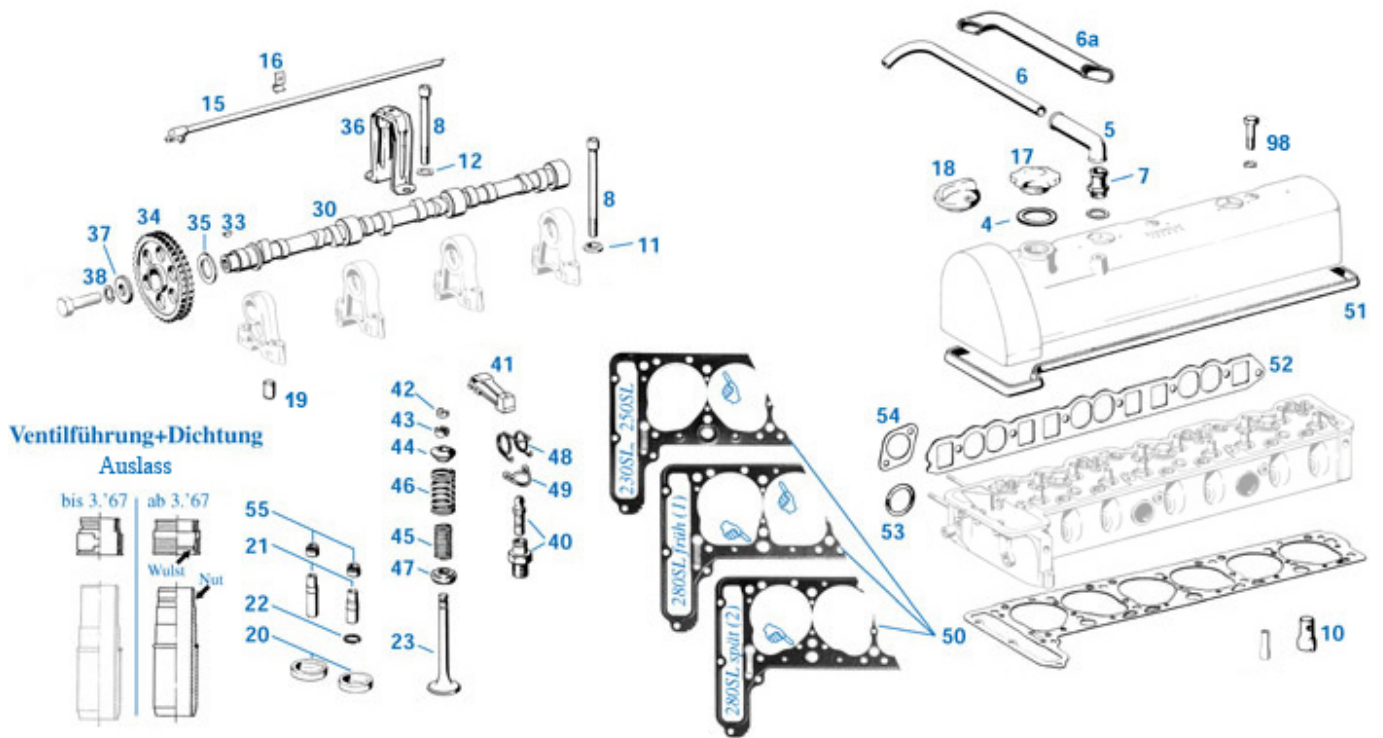
Besonderheit: Zylinderbohrungen und Pleinflächen vormals bereits nachgearbeitet

alte Kolben Ident	Mahle 86V16, 3 Ringe	Felder für Sachbearbeiter	130 030 9017
Kolbenmaß	87,00mm	ex A 000	030 8824
Bestellwunsch	Ringe alle 6 Kolben	SLS 203094	

nach Daten	Rings per piston, Mahle 82V33+, 4rings	<a href="#">203001</a>	62,89 €	nach Daten	Pistonrings 87,50	<a href="#">203097</a>	300,05 €
nach Daten	Engine-set Pistonrings 82.00 fits 82V37 Mahle 3 rings	<a href="#">203102</a>	327,25 €	nach Daten	see 203091	<a href="#">203089</a>	69,39 €
nach Daten	Rings per engine, 82.50, to 82V33	<a href="#">203806</a>	287,55 €	nach Daten	Rings per engine, 82.50 eg. Nüral 3-R	<a href="#">203807</a>	218,79 €
nach Daten	Rings per engine, 82.00, to 82V33	<a href="#">203805</a>	287,55 €	nach Daten	Piston ring set 87.00mm f.Mahle, per ca	<a href="#">203195</a>	275,04 €
nach Daten	Rings per engine 83.00"82V59" fits Mahl	<a href="#">203109</a>	287,55 €	nach Daten	Rings per engine, 82,50mm, 6x3rings	<a href="#">203108</a>	243,80 €
nach Daten	set piston rings 83.00 for 81V8	<a href="#">203107</a>	221,99 €	nach Daten	Rings per piston 82.50 fits Mahle 82V36	<a href="#">203104</a>	32,51 €
nach Daten	rings per piston, 87.50, fits 86V16 3-R	<a href="#">203096</a>	69,39 €	nach Daten	Piston ring set 82,50 mm, Mahle 3 ring	<a href="#">203003</a>	239,79 €
nach Daten	Piston ring set 280SL FN 87.0	<a href="#">203095</a>	68,76 €	nach Daten	Rings per motor 87,00 4 pcs/piston	<a href="#">203093</a>	356,31 €
nach Daten	Ringe pro Motor 86,50 M130, 4 pro Kolbe	<a href="#">203092</a>	369,99 €	nach Daten	Rings for 1 piston 86,5mm M130 Mahle 86V..	<a href="#">203091</a>	56,26 €
nach Daten	Rings per engine 82.00, e.g. 82V36	<a href="#">203020</a>	216,81 €	nach Daten	Piston ring set 82.00mm f.Mahle, per ca	<a href="#">203010</a>	242,70 €
nach Daten	Ring set per engine, fits 82.00mm NÜRAL	<a href="#">203008</a>	199,99 €	nach Daten	Piston ring set 230SL FN,82.50, 1car	<a href="#">203007</a>	218,79 €
nach Daten	Rings per piston, fits 82.5 Mahle 4-R	<a href="#">203006</a>	65,45 €	nach Daten	Eng.-Kit Rings 83.00 6x3 rings	<a href="#">203004</a>	256,29 €

### 05.a Cyl.Head, Camshaft, Valves

05 Cyl.Head, Camshaft, Valves

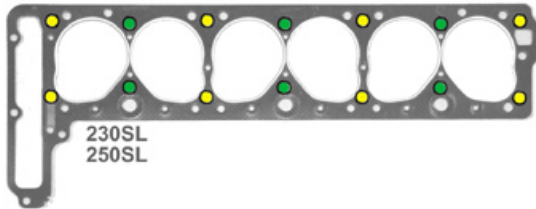


	Valve stem seal, inlet 230-280	<a href="#">205885</a>	1,36 €		Valve seal outlet 230SL	<a href="#">205986</a>	17,24 €
	stud 8x18, e.g. camsh. supports @ head	<a href="#">201918</a>	1,25 €		Plug screw, in-hex-key version: 130.980/984 from FN	<a href="#">899016</a>	31,65 €
	InHex bolt, 112.9, M8x20, i.e. head frt	<a href="#">201113</a>	1,89 €		Hex bolt M8 x 30	<a href="#">915057</a>	1,14 €
	Valve lock, 1 hal, ->'67	<a href="#">105046</a>	6,00 €		Pin for chain guide, L 48,5mm	<a href="#">105830</a>	12,25 €
	Tube, eng breather 1965/1966	<a href="#">309009</a>	74,29 €		Tube, eng. breather early	<a href="#">309008</a>	115,00 €
	Breather tube 220SE-230SL early	<a href="#">309007</a>	109,28 €		Plug screw, outer hex-key version: earlier than Inhex	<a href="#">299016</a>	32,13 €
4	Seal ring, fits plastic oil filler caps, 47 x 59 x 2,5	<a href="#">701356</a>	1,87 €	4	Seal, oil filler cap	<a href="#">701355</a>	1,09 €
4	Sealing ring, oil cap (metal screw on cap)	<a href="#">101055</a>	4,30 €	5	Engine ventilation	<a href="#">209805</a>	5,02 €
6a	Hose, breather + waterpipe protection	<a href="#">209006</a>	13,46 €	6	Breather Plastic Tube   A1290160030	<a href="#">209807</a>	24,51 €
7	Seal ring 18x22 Al	<a href="#">109019</a>	0,94 €	7	Hollow screw e.g.M127 breather banjo	<a href="#">309898</a>	25,13 €
7	threaded fitting, hood to breather hose	<a href="#">209810</a>	20,00 €	8	cylinder head bolt 114mm, M12	<a href="#">201114</a>	6,44 €
8	cylinder head screw 140mm	<a href="#">201140</a>	9,98 €	8	Cylinder head bolt 105mm for engine M121 921,127,129,130	<a href="#">101105</a>	5,99 €
11	Washer, M12 cylinder head bolt	<a href="#">101822</a>	2,86 €	16	Clamp, e.g. oil-pipe, wires	<a href="#">199025</a>	4,22 €
18	Oil filler cap,	<a href="#">250802</a>	10,95 €	18	Oil filler cap,plastic/snap on	<a href="#">250102</a>	3,74 €
18	Oil filler cap, metal/snap-on	<a href="#">250702</a>	12,85 €	19	cylindrical bolt 8 x 12, cam stands, crank frt	<a href="#">299917</a>	0,69 €
21	Valve guide outlet 14.018 mm M127	<a href="#">205870</a>	17,26 €	21	Valve guide outlet 14.20 mm M127	<a href="#">205880</a>	25,64 €
21	Valve guide outlet 14.40 mm M127	<a href="#">205890</a>	17,85 €	21	Valve guide inlet 14.031 mm	<a href="#">205230</a>	12,02 €
21	Valve guide inlet 14.20 mm	<a href="#">205240</a>	18,21 €	21	Valve guide outlet 15.031 mm M129/130	<a href="#">205370</a>	14,10 €
21	Valve guide outlet 15.20 mm M129/130	<a href="#">205380</a>	12,74 €	23	Inlet valve 250S-280S/SE/SL	<a href="#">205031</a>	29,99 €
23	Exhaust valve, 230 SL, Na filled	<a href="#">205003</a>	35,08 €	23	Valve, Exhaust, M129/130, brand "Freccia"	<a href="#">205741</a>	21,42 €
23	Valve, inlet, 220SEb, 230SL, Aftermarke	<a href="#">205902</a>	24,50 €	30	Camshaft 230SL, .."8401"	<a href="#">205700</a>	699,95 €

30	Camshaft 230SL	<a href="#">205000</a>	800,00 €	30	A1140510201 Camshaft 280SL Euro FN	<a href="#">205009</a>	799,00 €
33	A6219910467 Woodruff key, 4° cs.	<a href="#">205078</a>	13,99 €	33	woodruff key, standard, 4mm	<a href="#">205077</a>	1,00 €
34	Camshaft sprocket M121,127,129,130,.. FEBI	<a href="#">105001</a>	24,15 €	35	Spacer 2.7 mm behind camshaft sprocket	<a href="#">205818</a>	17,50 €
37	Disc to screw camshaft sprocket	<a href="#">105821</a>	9,52 €	37	Shim, camshaft sprocket	<a href="#">105021</a>	3,93 €
38	Spring washer 14mm e.g. cam wheel	<a href="#">105028</a>	0,55 €	40	Rocker arm pin, 190,230,250, Repro	<a href="#">205842</a>	62,00 €
40	Pin bolt for valve rocker, from M130	<a href="#">205839</a>	62,00 €	41	Rocker arm, FEBI	<a href="#">205040</a>	25,36 €
41	Rocker arm inlet/outlet	<a href="#">205840</a>	23,21 €	42	Thrust piece 3.5mm	<a href="#">205037</a>	27,13 €
42	Shim 280SL FN 2.5mm	<a href="#">205049</a>	33,62 €	42	Shim 280SL late, 4.5mm = standard	<a href="#">205047</a>	32,94 €
42	Shim 280SL FN 3.5mm	<a href="#">205048</a>	32,00 €	42	Thrust piece 4.5mm ->5.69 (FN)	<a href="#">205036</a>	25,89 €
42	Thrust piece 2.5mm	<a href="#">205038</a>	19,93 €	43	Valve collet, 1 half, '67-> (from 250)	<a href="#">205035</a>	0,65 €
45	Valve spring inner, 230SL	<a href="#">205005</a>	43,98 €	46	Valve spring 230SL, outer	<a href="#">205006</a>	34,32 €
46	Valve spring 230SL, outer	<a href="#">205806</a>	29,99 €	49	Spring, circular, 280SL	<a href="#">299015</a>	36,50 €
49	Spring, rocker base bolts ->'67	<a href="#">105029</a>	8,98 €	50	Cylinder head gasket 280SL, late M130.983-10 from engine number	<a href="#">201622</a>	164,47 €
50	Cylinder head gasket 230-250SL, brand REINZ-GLASER	<a href="#">201723</a>	78,27 €	50	Cylinder head gasket 230-250SL, brand Elring	<a href="#">201023</a>	85,79 €
50	Cylinder head gasket 280SL/SE late, brand REINZ-GLASER	<a href="#">201722</a>	79,08 €	50	Cylinder head gasket 280SL, early M130.983-10 up to engine	<a href="#">201021</a>	68,44 €
50	Cylinder head gasket 280SL, late M130.983-10 from engine number	<a href="#">201022</a>	80,30 €	51	Gasket, valvecover engine M127 - 130E	<a href="#">201099</a>	14,28 €
52	Gasket Intake/Exhaust M127-130, ELRING	<a href="#">249990</a>	14,54 €	52	Manifold Gasket M127-130   "REINZ"	<a href="#">249090</a>	14,40 €
53	O' Ring tensioner to head	<a href="#">205135</a>	0,55 €	54	Gasket, thermostate	<a href="#">120011</a>	1,32 €
55	Valve seal, inlet, M127 - M130	<a href="#">205085</a>	1,84 €	55	Valve stem gasket set 129+130, brand Elring	<a href="#">205790</a>	23,53 €
55	Valve seal, outlet, 230SL	<a href="#">205086</a>	4,41 €	98	Copper seal ring M8, filled	<a href="#">299305</a>	1,09 €

## 05.b Zyl.Kopfschrauben Info

### 05.a Zyl.Kopfschrauben Info



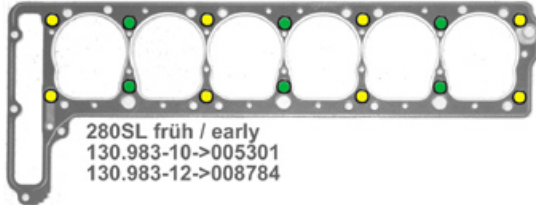
230SL  
250SL



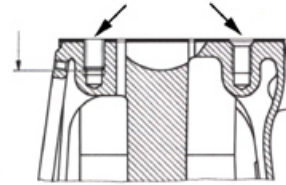
Bauart der Schrauben: siehe Produktbilder  
Anzugsmomente: Werkstattdokumentation und  
Angaben der Kopfdichtungs-Beilage beachten

- 105mm = SLS [101105](#)
- 140mm = SLS [201140](#)
- 114mm = SLS [201114](#)
- 144mm = SLS [701144](#)

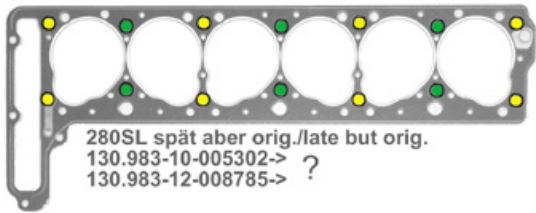
Bolt design see product illustration,  
torque see workshop manual and  
head gasket product info



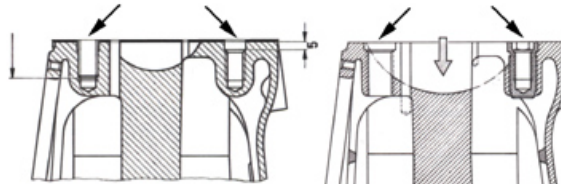
280SL früh / early  
130.983-10->005301  
130.983-12->008784



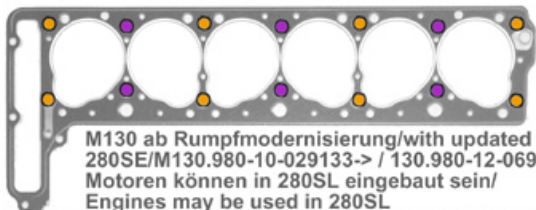
2.8 I , 2.8 II



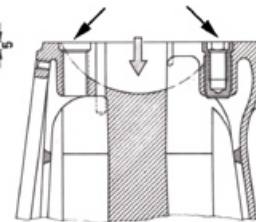
280SL spät aber orig. / late but orig.  
130.983-10-005302->  
130.983-12-008785-> ?



2.8 III



M130 ab Rumpfmodernisierung / with updated block  
280SE/M130.980-10-029133-> / 130.980-12-069853->  
Motoren können in 280SL eingebaut sein/  
Engines may be used in 280SL



2.8 IV

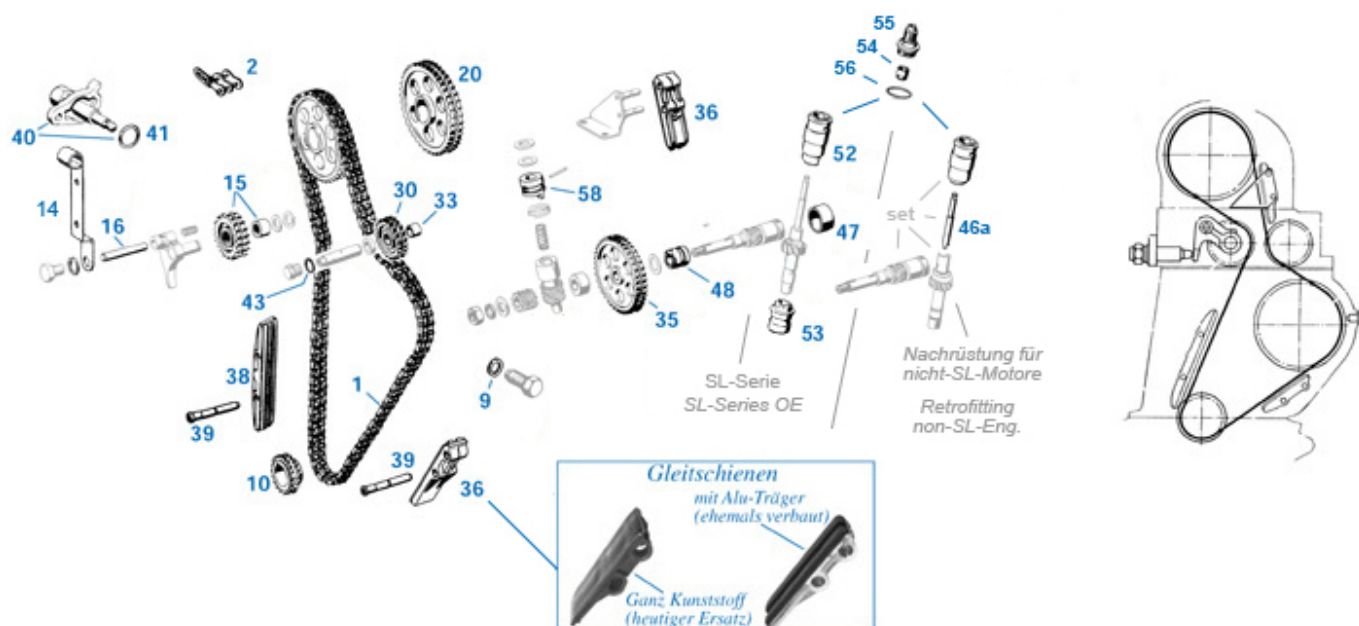
\* der Einsatztermin im 280SL ist widersprüchlich: MB-Ersatzteilliteratur: "nicht.983", MB-Werkstattdokumentation: "auch SL ab FG 016450".  
Da auch SE-Motoren eingebaut sein können, empfehlen wir Prüfung der tats. Gewindetiefe.

implementation date of this change is uncertain: MB-parts manual: "not.983", MB-workshop manual: "used in SL from ch.016450".  
We recommend to check the real thread depth.

	Washer, M12 cylinder head bolt	<a href="#">101822</a>	2,86 €	105	Cylinder head bolt 105mm for engine M121 921,127,129,130	<a href="#">101105</a>	5,99 €
113	InHex bolt 12.9, M8x30, sump, ...	<a href="#">118018</a>	2,05 €	113	InHex bolt, 112.9, M8x20, i.e. head frt	<a href="#">201113</a>	1,89 €
114	cylinder head bolt 114mm, M12	<a href="#">201114</a>	6,44 €	140	cylinder head screw 140mm	<a href="#">201140</a>	9,98 €

## 05.c Timing Chain

05 Timing Chain

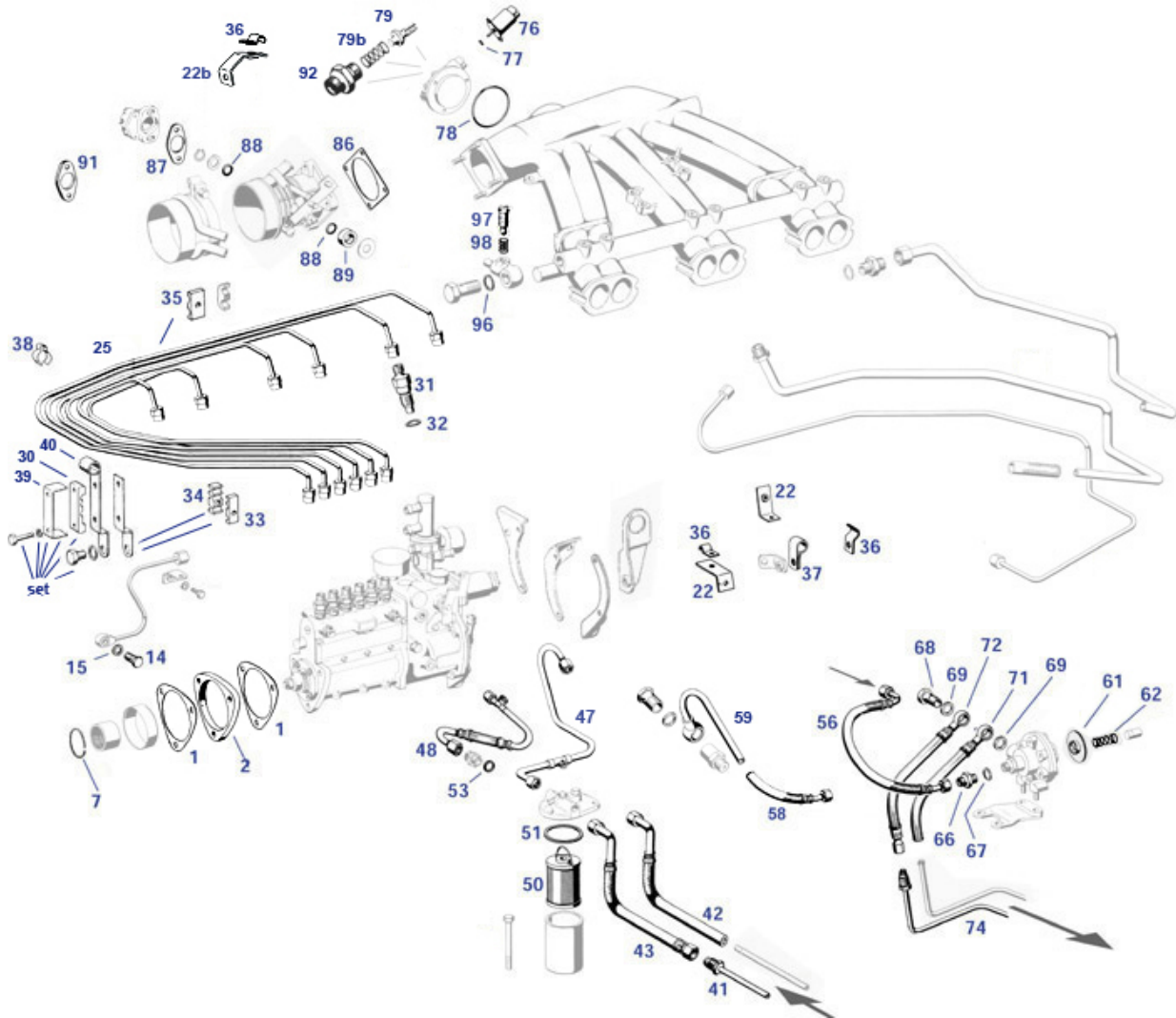


	Rocker arm pin, 190,230,250, Repro	<a href="#">205842</a>	62,00 €		sealing ring, aluminium 30mm	<a href="#">215032</a>	0,81 €
	Pin	<a href="#">705804</a>	13,76 €		Plug screw M24 e.g. pressure valve	<a href="#">218816</a>	29,75 €
2	Rocker arm inlet/outlet	<a href="#">205840</a>	23,21 €	1	Roller chain, with connector	<a href="#">299013</a>	57,47 €
	MasterLink Duplex chain (content of chain)	<a href="#">199013</a>	2,55 €	9	alu seal ring M12, eg.eng.block @ chain	<a href="#">298712</a>	0,13 €
10	Crankshaft sprocket	<a href="#">103011</a>	32,67 €	14	Bracket, pipe bundle and eng.hangup	<a href="#">220074</a>	26,60 €
15	Tensioner sprocket+bushing, Repro	<a href="#">105002</a>	156,95 €	16	Shaft for lever, tensioner	<a href="#">205814</a>	10,00 €
18	retaining rings for shafts 20 X 1,2	<a href="#">299498</a>	0,26 €	19	Spring	<a href="#">299113</a>	8,09 €
20	Camshaft sprocket M121,127,129,130,.. FEBI	<a href="#">105001</a>	24,15 €	30	Sprocket, offset incl.205026	<a href="#">205025</a>	110,04 €
32	Bolt, offset sprocket	<a href="#">205024</a>	74,85 €	35	Intermediate chain gear	<a href="#">205822</a>	165,40 €
36	Chainguide,new,all plastic	<a href="#">205010</a>	3,00 €	36	Chainguide short, design meets old original	<a href="#">105006</a>	189,97 €
38	Chainguide, long, plastic, FEBI	<a href="#">205029</a>	3,67 €	38	Chain guide, long, alu base	<a href="#">105004</a>	145,92 €
39	Pin for chain guide, L 48,5mm	<a href="#">105830</a>	12,25 €	40	Chain tensioner	<a href="#">205130</a>	349,50 €
41	O' Ring tensioner to head	<a href="#">205135</a>	0,55 €	43	Seal Ring   gear box drain plug	<a href="#">226047</a>	0,44 €
45	drive pin, rev-ctr, only fits at 205719	<a href="#">205819</a>	63,55 €	47	Bush, timing, rear	<a href="#">205027</a>	7,90 €
48	Bushing, intermediate sprocket shaft	<a href="#">205020</a>	59,98 €	52	thrust bearing, full length 56,9mm	<a href="#">218489</a>	101,39 €
52	Tthrust bearing, L 62,37mm	<a href="#">218409</a>	69,20 €	52	thrust bearing   Length 57,3mm	<a href="#">218410</a>	94,01 €
53	Bearing,thrust, lower	<a href="#">218411</a>	88,77 €	54	Seal ring speedo/rev drive	<a href="#">126039</a>	4,88 €
55	ring, upper shaft	<a href="#">218417</a>	8,94 €	55	Threaded bushing connects, rev. ctr.	<a href="#">205050</a>	94,62 €
56	O-ring, eng. housg	<a href="#">218412</a>	0,55 €	58	Distributor drive dog incl pin+spring	<a href="#">215036</a>	24,81 €

## 07 Mech.Injection, Air Intake, ...

### 07.a Injection System

07.a Injection System

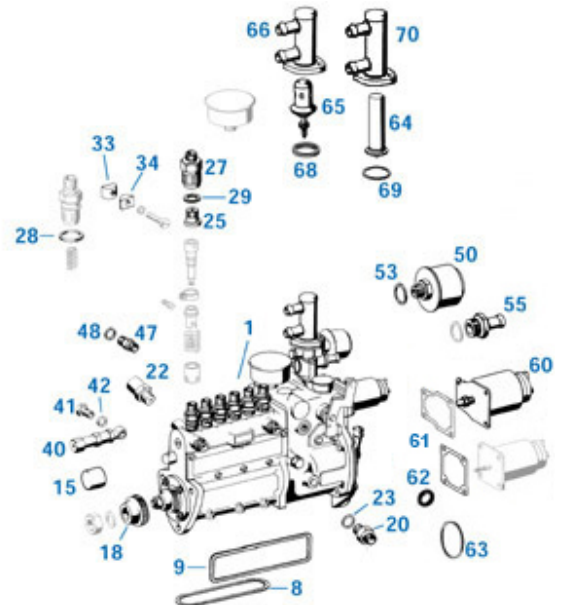
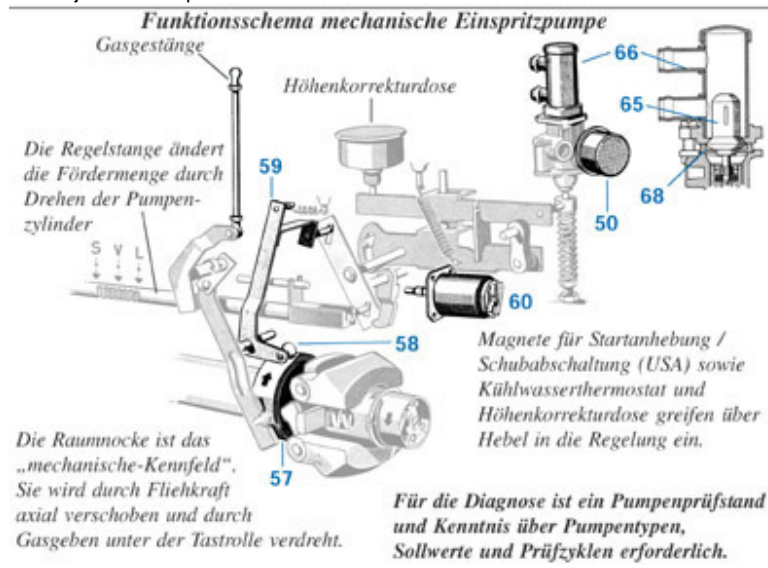


	Thermo time swich, read Bosch Literature, F026T03101	<a href="#">907125</a>	154,11 €		Pipe,ff - fp.250-280SL, flexible section	<a href="#">247719</a>	69,00 €
1	Gasket, injectuon pump->engine	<a href="#">207835</a>	1,15 €	2	Flange,isolating, M127, genuine quality	<a href="#">207942</a>	36,34 €
2	Flange,isolating,250-280SL, genuine quality	<a href="#">207940</a>	31,25 €	7	Ring, spacing,inj. Pump	<a href="#">235034</a>	1,64 €
14	Hollow screw, air venting	<a href="#">220010</a>	2,48 €	15	Sealing ring ID8, eg. for hollow screw	<a href="#">220011</a>	0,10 €
22b	bracket for tube clamp at throttle housg	<a href="#">214207</a>	30,58 €	25	Set 6pcs inj.lines 230SL, 250-280SL/SE, repro	<a href="#">207805</a>	599,99 €
30	Rubber pad,bracket,fr.,inj	<a href="#">207157</a>	6,63 €	31	Injector 230SL, 250+280SE/SL	<a href="#">207104</a>	241,99 €
32	Copper seal ring	<a href="#">207115</a>	0,18 €	33	Pipe support,inj., (4 pipes)	<a href="#">207011</a>	16,02 €
33	metal spacer, fuel pipe mount, 3-notch	<a href="#">207012</a>	22,29 €	34	Plastic spacer, inj. pipe supports	<a href="#">207009</a>	24,99 €
34	Bolt "long", pipe mounts (M5x30)	<a href="#">207030</a>	1,76 €	35	Bolt "short", pipe mounts (M5x18)	<a href="#">207018</a>	1,31 €
35	half clamp, metal, 2-lines-mount	<a href="#">207008</a>	7,59 €	36	Clamp, rear floor, fits 6mm wire or pipe	<a href="#">242059</a>	3,99 €
36	Clamp 5mm e.g. brake lines	<a href="#">143038</a>	0,50 €	37	Bracket clamp, warmup air pipe, waterp.	<a href="#">220087</a>	2,84 €
38	Spring clip,vac. pipe to fuel line	<a href="#">299471</a>	15,15 €	39	Spring washer M5	<a href="#">299325</a>	0,11 €
39	clamp at pipe-support	<a href="#">220076</a>	8,35 €	40	Bracket, pipe bundle and eng.hangup	<a href="#">220074</a>	26,60 €
41	Fuelfeedline230-280SL	<a href="#">247032</a>	115,00 €	42	Hose,ff.,230SL to vn.013014, W111, ..	<a href="#">247002</a>	44,95 €

42	Hose clamp 15mm	<a href="#">947997</a>	3,09 €	43	Hose,ff.,230SL FN ,250-280SL	<a href="#">247003</a>	208,25 €
48	Tube studs w. fittings for 1290700632	<a href="#">247819</a>	34,93 €	50	Filter element R113+M110 early	<a href="#">247701</a>	9,00 €
51	Sealing ring, fuel filter	<a href="#">247020</a>	0,92 €	53	Seal ring 14mm Alu	<a href="#">207186</a>	1,08 €
56	Fuel hose, return way	<a href="#">247104</a>	83,00 €	59	Banjo Fitting 230SL up to vn 010687	<a href="#">247018</a>	95,00 €
61	diaphragm for damper, fuel return	<a href="#">207803</a>	33,20 €	62	coil spring, damper, fuel return	<a href="#">207804</a>	20,00 €
67	Seal ring e.g. fuel damp housg	<a href="#">207178</a>	1,46 €	68	Hollow screw, M14 x 1,5	<a href="#">207276</a>	2,34 €
72	Flexi Fuel Line for Injection Damper Cage - 250/280 SL	<a href="#">247017</a>	49,98 €	74	Return fuel line   about 300 cm	<a href="#">247027</a>	101,95 €
76	Solenoid,cst. valve(1 pole)	<a href="#">214014</a>	238,00 €	77	Seal ring,cst. valve solenoid	<a href="#">214022</a>	1,96 €
78	gasket 280 from large manifold	<a href="#">214026</a>	3,57 €	78	Sealing ring, cst. control	<a href="#">214013</a>	1,96 €
79b	spring for valve needle cold start valve,	<a href="#">214823</a>	4,40 €	79	valve needle cold start valve, brass, 6mm	<a href="#">214822</a>	27,91 €
86	Gasket, throttle flap housing	<a href="#">214012</a>	7,60 €	87	Gasket,idler switch,metal	<a href="#">214780</a>	3,69 €
87	Gasket,idler switch,metal	<a href="#">214080</a>	3,69 €	88	O'ring,throttle flap shaft, M127/M100	<a href="#">214070</a>	2,20 €
89	Sealing ring,throttle shaft	<a href="#">143005</a>	4,93 €	91	Cap, throttle flap shaft	<a href="#">214074</a>	55,22 €
92	fitting with strainer, cold start valve	<a href="#">214829</a>	80,50 €	96	Copper ring 18mm	<a href="#">214079</a>	0,24 €
97	Idle air screw 127.981 up to FN	<a href="#">214036</a>	36,03 €	97	Idle air screw M127 from FN, M129, M130	<a href="#">214016</a>	44,80 €

## 07.b Injection Pump

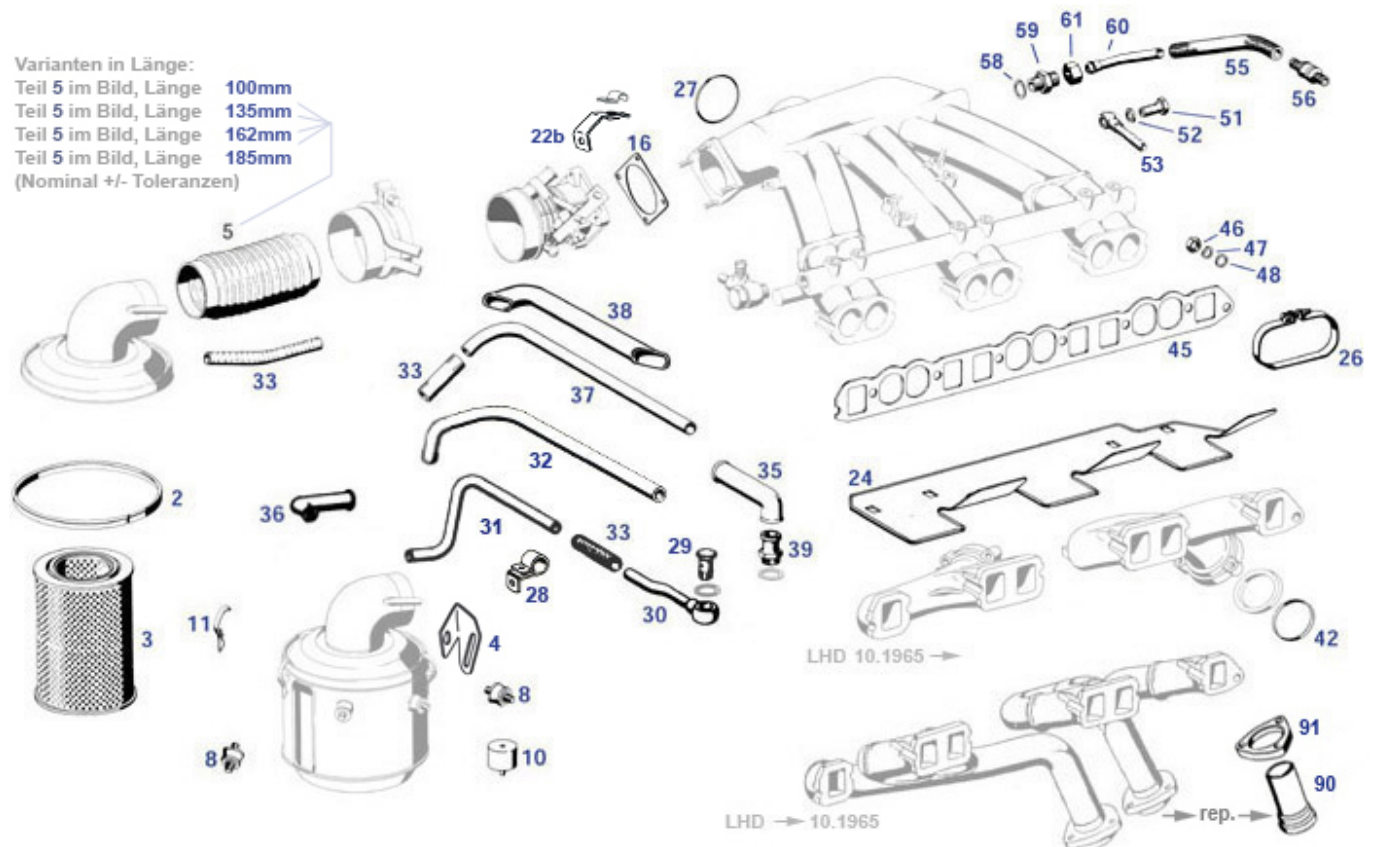
### 07.b Injection Pump



	Thermostat,inj.,'67->, incl. steel seal	<a href="#">207821</a>	47,60 €		valve needle oiler valve, steel, 5mm	<a href="#">214821</a>	23,12 €
	Flange,isolating, M127, genuine quality	<a href="#">207942</a>	36,34 €		Flange,isolating,250-280SL, genuine quality	<a href="#">207940</a>	31,25 €
8	Seal kit 6-stamp PES 6KL R18-R25	<a href="#">207280</a>	150,38 €	8	Gasket Kit Inj-pump PES 6KL for engines "300" and "230"	<a href="#">207230</a>	148,30 €
15	Plug	<a href="#">207185</a>	65,00 €	27	Rest: threaded fitting M130 injection, simplified	<a href="#">207129</a>	23,80 €
42	Sealing ring ID8, eg. for hollow screw	<a href="#">220011</a>	0,10 €	48	Seal ring 10x13,5, Alu, e.g. sender, hollow bolts	<a href="#">227023</a>	0,50 €
50	Air cleaner, 230SL 14mm/Hex19, inj. pump	<a href="#">207901</a>	37,84 €	53	Seal ring 18x22 Al	<a href="#">109019</a>	0,94 €
53	Seal ring 14mm Alu	<a href="#">207186</a>	1,08 €	55	Fitting for air hose	<a href="#">207181</a>	16,09 €
61	Gasket, start Solenoid	<a href="#">207124</a>	10,89 €	61	Gasket, start Solenoid	<a href="#">207824</a>	10,89 €
63	Gasket kit regulator housing PES	<a href="#">207281</a>	78,03 €	65	Thermostat,inj.,'67->, incl. steel seal	<a href="#">207121</a>	185,46 €
66	Housing,Thermo,inj.,250-280SL	<a href="#">207122</a>	210,94 €	68	Ring, seat, fits thermostate 207121	<a href="#">207151</a>	35,99 €
69	Seal ring f. bolt 705004	<a href="#">705005</a>	0,68 €	70	Housing only, 230SL inj. thermostat	<a href="#">207156</a>	199,54 €

## 09 Air-Intake and Aircleaner

09 Air-Intake and Aircleaner



	1m cooling water hose 12/19mm	<a href="#">250823</a>	7,14 €		Spring, dle air adjuster bolts	<a href="#">214017</a>	17,50 €
	spring for valve needle cold start valve,	<a href="#">214823</a>	4,40 €	2	Seal for Air filter Lid (1m)   A0000942079	<a href="#">214020</a>	4,17 €
2	Wire clips, air filter box, Repro	<a href="#">214825</a>	2,59 €	3	Air filter R113, 280 SL/SLC (MANN)	<a href="#">209400</a>	34,44 €
3	Air filter element R113, 280SL/SLC NoName	<a href="#">209402</a>	14,57 €	4	Link bit, air filter box to side wall	<a href="#">209815</a>	22,48 €
5	Air hose 185mm, e.g. 280SL up to FN	<a href="#">209701</a>	45,77 €	5	Air hose 135mm, e.g.280SL late	<a href="#">209702</a>	51,27 €
5-162	Air hose 160mm, e.g. 230SL late, ref A1890940082	<a href="#">209880</a>	52,00 €	5	Air hose 100mm e.g. 250SL	<a href="#">209803</a>	108,04 €
5	Air hose 135mm, e.g.280SL late	<a href="#">209802</a>	107,99 €	5	Air hose 185mm, e.g. 280SL up to FN	<a href="#">209801</a>	99,00 €
5	Air hose 160mm, e.g. 230SL late, ref A1890940082	<a href="#">209800</a>	87,02 €	5	Air hose 100mm e.g. 250SL	<a href="#">209703</a>	53,10 €
5	Clamp, air hose	<a href="#">209004</a>	2,77 €	5-162	Air hose 160mm, e.g. 230SL late, ref A1890940082	<a href="#">209000</a>	79,00 €
8	Mounting,af. flexible buffer	<a href="#">209406</a>	7,69 €	10	Rubber buffer, floor/exhast, others...	<a href="#">249818</a>	4,68 €
11	cotter pin 3 x 28, fits 314025 ...	<a href="#">314029</a>	0,32 €	11	Lock f.filterbox, flat spring	<a href="#">314825</a>	9,98 €
16	Gasket, throttle flap housing	<a href="#">214012</a>	7,60 €	22b	bracket for tube clamp at throttle housg	<a href="#">214207</a>	30,58 €
24	Insulation plate ,250-280SLFN	<a href="#">214002</a>	116,50 €	24	Insulation plate , M130 E late (ca 69->	<a href="#">214003</a>	125,30 €
26	Clamp,insulation->intake ->'69	<a href="#">214004</a>	6,99 €	26	Clamp,insulation->intake,'70->	<a href="#">214024</a>	4,90 €
27	gasket 280 from large manifold	<a href="#">214026</a>	3,57 €	27	Sealing ring, cst. control	<a href="#">214013</a>	1,96 €
28	Clamp 1.generation breather pipe	<a href="#">309029</a>	45,07 €	29	Hollow screw e.g.M127 breather banjo	<a href="#">309898</a>	25,13 €
30	Hollow screw e.g.M127 breather banjo-style	<a href="#">309098</a>	19,25 €	30	Breather tube 220SE-230SL early	<a href="#">309007</a>	109,28 €
30	Banjo fitting, norm, fits M18	<a href="#">109816</a>	16,01 €	31	Tube, eng. breather early	<a href="#">309008</a>	115,00 €
32	Tube, eng breather 1965/1966	<a href="#">309009</a>	74,29 €	33b	1m rubber hose ID 10mm, 5mm wall	<a href="#">943028</a>	32,78 €
35	Engine ventilation	<a href="#">209805</a>	5,02 €	36	Hose 90°, air filter 230SL, M110-D-	<a href="#">209809</a>	3,84 €

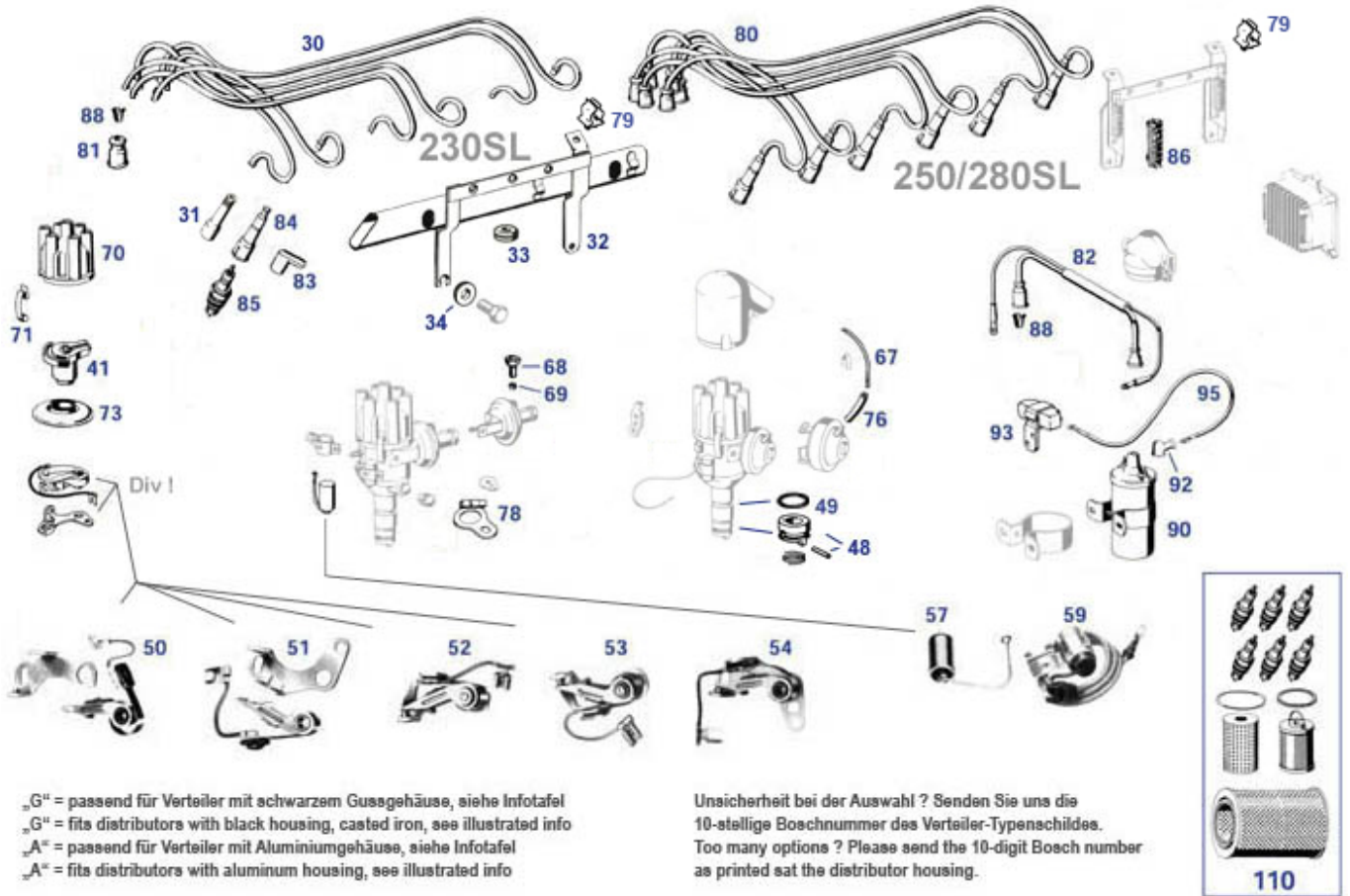


37	Breather Plastic Tube   A1290160030	<a href="#">209807</a>	24,51 €	38	J Hose, breather + waterpipe protection	<a href="#">209006</a>	13,46 €
42	Sealing ring, exhaust manif.	<a href="#">249060</a>	2,37 €	45	Manifold Gasket M127-130   "REINZ"	<a href="#">249090</a>	14,40 €
45	Gasket Intake/Exhaust M127-130, ELRING	<a href="#">249990</a>	14,54 €	46	Nut, M10, exh manifold	<a href="#">114008</a>	1,25 €
47	M12-127 lock washer	<a href="#">235316</a>	0,26 €	48	Washer 2mm, thick, exh-manif, bumpers .	<a href="#">214008</a>	0,56 €
51	Hollow screw on suction pipe	<a href="#">227022</a>	2,05 €	52	Seal ring 10x13,5, Alu, e.g. sender, hollow bolts	<a href="#">227023</a>	0,50 €
53	Banjo fitting, fits 10mm screw	<a href="#">227850</a>	4,07 €	56	Check valve, brake vac.	<a href="#">243016</a>	15,89 €
59	Seal ring 16x20, Alu, e.g. hollow bolts	<a href="#">214078</a>	0,99 €	60	Tube 90° e.g. adapt T52->old hose	<a href="#">243038</a>	13,74 €
90	Rep.-section, tube, fits early 230-mani	<a href="#">214818</a>	113,05 €	214100	Exhaust manifold for late W113 (used) Cylinder 4-6	<a href="#">214100</a>	1.190,00 €

# 15 Electrical Equipment at Engine

## 15.a ignition

15.a ignition



„G“ = passend für Verteiler mit schwarzem Gussgehäuse, siehe Infotafel  
 „G“ = fits distributors with black housing, casted iron, see illustrated info  
 „A“ = passend für Verteiler mit Aluminiumgehäuse, siehe Infotafel  
 „A“ = fits distributors with aluminum housing, see illustrated info

Unsicherheit bei der Auswahl ? Senden Sie uns die 10-stellige Boschnummer des Verteiler-Typenschildes.  
 Too many options ? Please send the 10-digit Bosch number as printed sat the distributor housing.

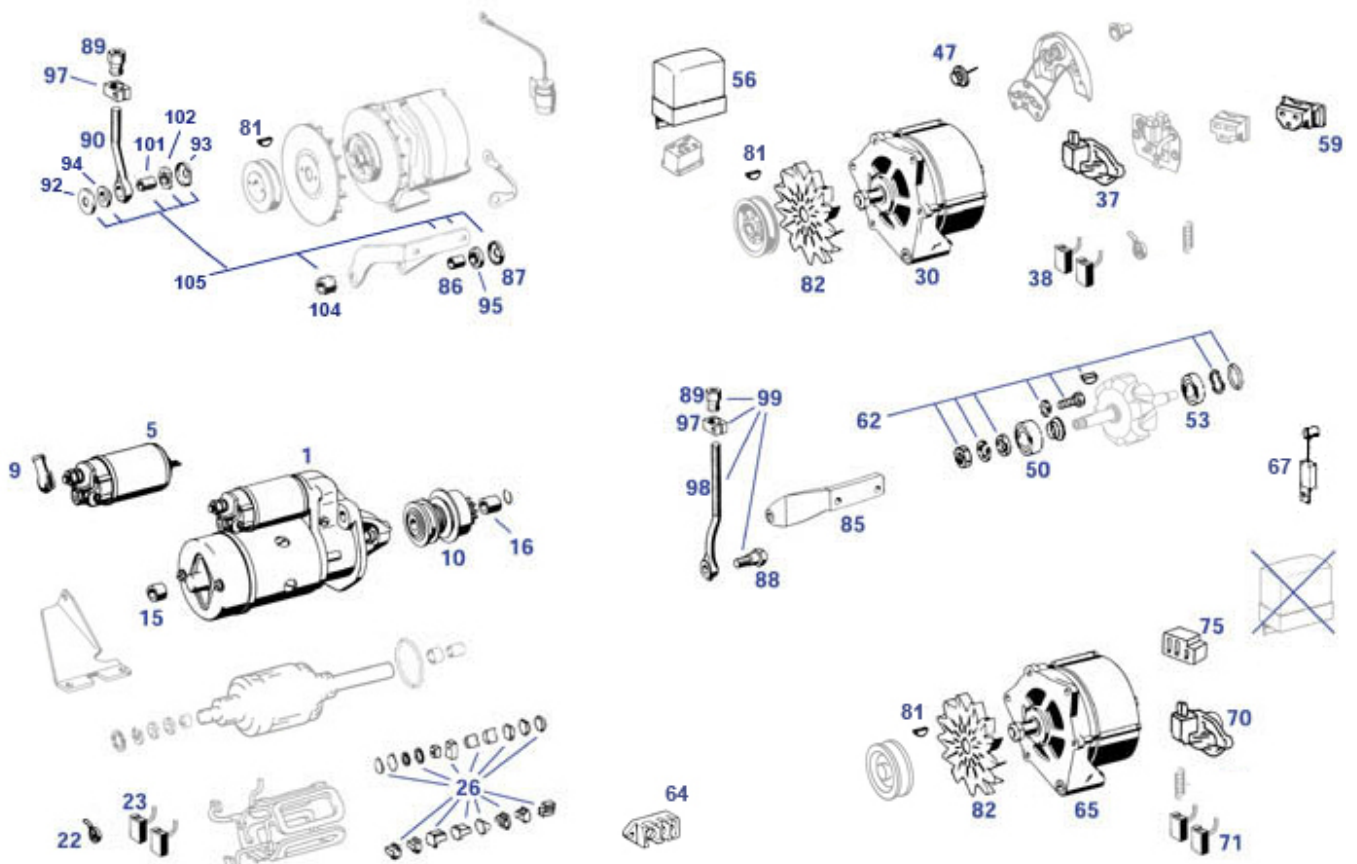


	Ignition Coil "Pertronix Flamethrower-II"	<a href="#">554711</a>	138,64 €		Distributor cap 230-280SL "A" made in Germany	<a href="#">215708</a>	55,69 €
	Marelli ignition coil MB 6-Cylinder	<a href="#">254411</a>	31,59 €		Vac unit dist., 'G', Repro, no tech documents	<a href="#">215604</a>	93,95 €
	Vacuum unit, dist. , 'A', Repro, no tech documents	<a href="#">215834</a>	94,71 €		Cont.b.set, 280SL USAFNN	<a href="#">215113</a>	9,88 €
	see 254708 or 254008, Resistor 1,8	<a href="#">254808</a>	50,75 €	30	rubber cap ID 11mm eg spark plug connectors	<a href="#">515998</a>	0,87 €
32	Metal tube w.bracket, f.ignition leads	<a href="#">215110</a>	109,99 €	32	Special nut, acc linkage support to mount LH	<a href="#">230029</a>	3,57 €
33	Rubber grommet 10/15, taillight bucket 190SL, 107	<a href="#">199020</a>	1,08 €	34	ball shaped washer	<a href="#">299992</a>	2,64 €
41	Rotor distr.,Bosch, 190SL, R113 "iron cast distr"	<a href="#">215804</a>	45,73 €	41	Rotor distr.,Beru, 190SL, R113 "iron cast distr"	<a href="#">115004</a>	15,73 €
41	Rotor arm, 280SL 'A' , Bosch	<a href="#">215011</a>	34,99 €	48	Distributor drive dog incl pin+spring	<a href="#">215036</a>	24,81 €
49	Seal ring I/D 21,5 / material 4,75 mm ref.-No. A0119970548	<a href="#">715229</a>	0,48 €	50	Point Set M180, M127 "Beru"	<a href="#">415813</a>	8,02 €
51	Contact Point Set 230-250SL Pagoda "Beru"	<a href="#">215803</a>	8,06 €	51	Cont.b.set, 230-280SL 'G'	<a href="#">215003</a>	18,15 €
53	Cont.b.set, 280SL USAFNN	<a href="#">215013</a>	7,78 €	53	pointer set. 280SL USA spät Beru	<a href="#">215813</a>	8,66 €
54	Pointer set 280S...	<a href="#">815003</a>	6,93 €	57	Capacitor 190SL, 113-"G" (iron dist)	<a href="#">215007</a>	6,90 €
57	Condenser f.'Alu' w.no1-lead	<a href="#">215037</a>	8,51 €	57	Capacitor w/o bracket, BERU	<a href="#">215807</a>	7,88 €
59	Condenser, see picture	<a href="#">215837</a>	14,60 €	67	Vacuum pipe, 2/4mm,per mtr	<a href="#">215027</a>	1,82 €
67	Spring clip,vac. pipe to fuel line	<a href="#">299471</a>	15,15 €	70	Distributor cap Bosh, fits "iron-dist"	<a href="#">215028</a>	71,22 €
70	Distributor cap 'A'	<a href="#">215808</a>	69,50 €	70	Distributor cap, fits "iron-dist", Germany	<a href="#">215928</a>	53,01 €
70	Distributor cap phenol resin	<a href="#">215021</a>	47,22 €	70	Dist. cap 230-280SL, fits iron distr., also 1-2-3-R6, Beru	<a href="#">215828</a>	30,94 €
70	Distributor cap 'A'	<a href="#">215008</a>	61,78 €	71	Sp. clip, dist. cap to body	<a href="#">215026</a>	1,64 €

73	Dust cover, inside distributor	<a href="#">215012</a>	8,50 €	76	Pipe, vacuum, per mtr.	<a href="#">715027</a>	5,12 €
78	Adj. flange R4+R6 1958-1968	<a href="#">115073</a>	31,32 €	79	Clamp, vacuum line at support	<a href="#">243079</a>	21,60 €
80	Ignition lead set 250-280SL	<a href="#">215720</a>	155,00 €	80	Ignition lead set 250-280SE/SEL/SL "push-on"	<a href="#">215020</a>	169,99 €
80	Ignition lead set W113 see picture	<a href="#">215721</a>	85,00 €	80	Ign. leads set M127... BREMI plugs	<a href="#">215120</a>	105,99 €
81	Connector	<a href="#">715016</a>	18,77 €	81	Prot. sleeve ign. leads -> distributor	<a href="#">215715</a>	1,90 €
81	Prot. sleeve ign. leads -> distributor	<a href="#">215815</a>	2,73 €	82	Silicone ign lead, 1m	<a href="#">215116</a>	8,77 €
82	Grommet	<a href="#">215119</a>	1,01 €	82	Cable set, coil/distributor	<a href="#">115050</a>	45,82 €
83	Spark plug connector, 1kOhm, angled, Bakelite	<a href="#">115056</a>	18,56 €	84	Spark plug, 5K Ohm '67 - '76	<a href="#">215017</a>	12,02 €
85	Spark plug, NGK BP7ES	<a href="#">215019</a>	3,39 €	85	Spark plug Bosch WR5DC	<a href="#">215919</a>	2,93 €
85	Spark plug Bosch W6DC	<a href="#">215918</a>	3,69 €	85	Spark plug, NGK,	<a href="#">215018</a>	2,83 €
86	Bracket, ign wires, plastic	<a href="#">215023</a>	1,49 €	88	Wire bushing with threaded pin	<a href="#">515999</a>	2,37 €
90	washer, 6,4 e.g. boot hinge	<a href="#">175005</a>	0,36 €	90	Ign. coil 113TCI + R/C107 early, BOSCH	<a href="#">754020</a>	85,00 €
90	Ign coil VALEO 6-Cyl 108-113.. late	<a href="#">254811</a>	42,10 €	90	Ign coil Bosch 6-Cyl 108-113.. late	<a href="#">254611</a>	80,55 €
90	Ign. Coil, std. actuated, needs Res: 1,8	<a href="#">254011</a>	63,34 €	92	Rubber dust boot (at Gen. .)	<a href="#">254051</a>	3,25 €
93	teethed washer 4,3mm	<a href="#">999037</a>	0,13 €	93	Shim 4,3x8	<a href="#">799939</a>	0,19 €
93	Screw, M4X6 Phillips, e.g switch	<a href="#">799546</a>	0,24 €	93	Ring eyelet, crimp, uninsulated, high-temp. MS sn, ID4.2	<a href="#">997989</a>	0,51 €
93	Ballast Resistor 0,4 Ohm, Reproduction	<a href="#">254768</a>	28,54 €	93	Ballast Resistor 0,6 Ohm, Reproduction	<a href="#">254767</a>	26,45 €
93	Ballast Resistor 0,9 Ohm, Reproduction	<a href="#">254766</a>	24,37 €	93	Ballast Resistor 1,8 Ohm, Reproduction	<a href="#">254708</a>	24,37 €
93	Resistor 0.6 Ohms, TCI, BERU	<a href="#">254967</a>	70,35 €	93	Resistor, 0.4 Ohm	<a href="#">254266</a>	54,37 €
93	Ballast resistor .6 Ohm, silver, TSZ	<a href="#">254166</a>	59,81 €	93	Resistor, 0,9 Ohm, silver, BOSCH	<a href="#">254066</a>	55,69 €
93	Resistor 1.8 Ohm red, fits 254011	<a href="#">254008</a>	85,88 €	93	Spring washer M4 yellow zincd	<a href="#">299283</a>	0,08 €

## 15.c Starter and Generator

### 15.c Starter and Generator

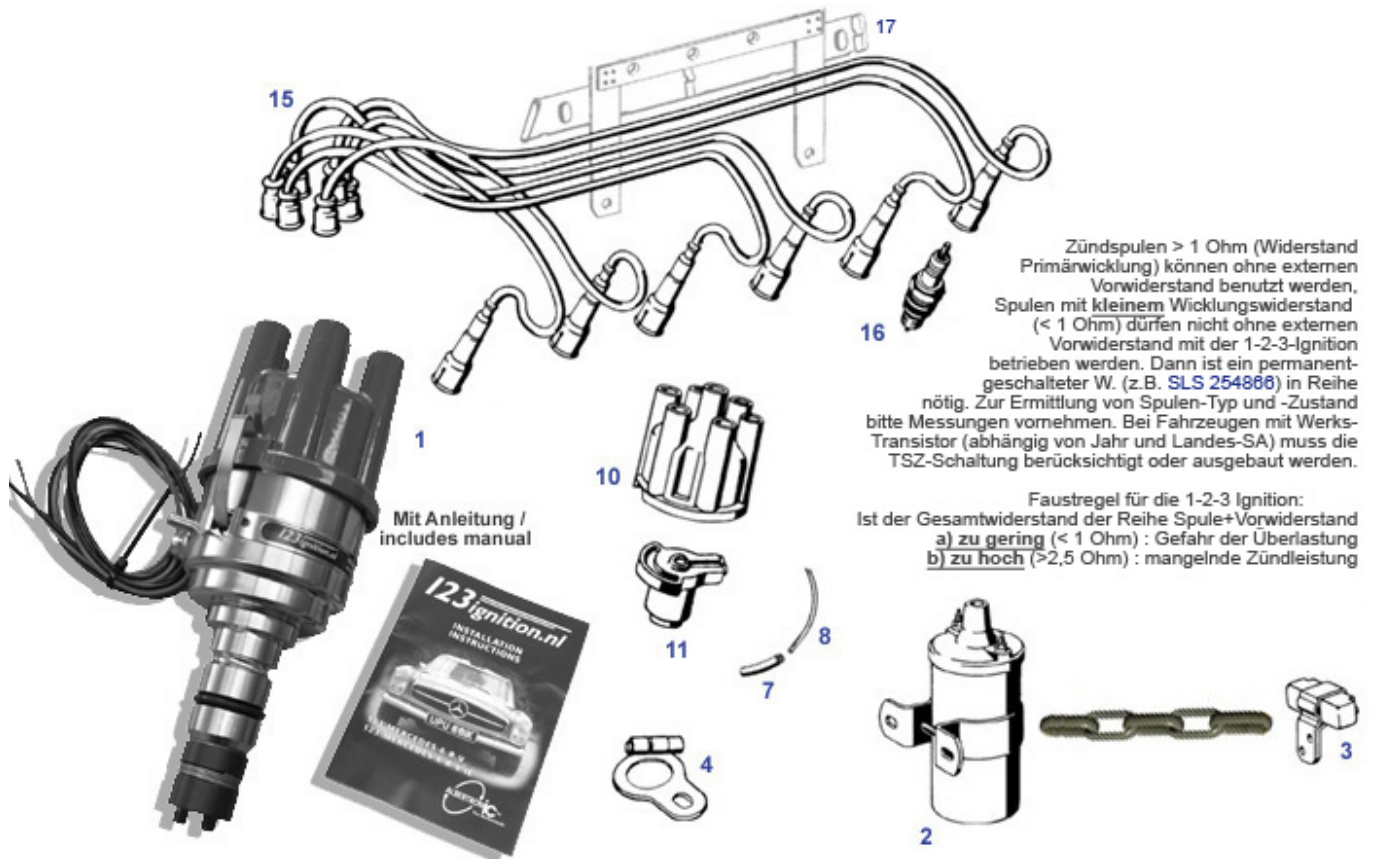


Starter solenoid "3-bolt-fitment"	<a href="#">715452</a>	51,59 €	battery hold down, R113, Repro	<a href="#">254826</a>	65,45 €
Spacer ring for FN starters, see pictur D11,5mm	<a href="#">115745</a>	147,95 €	flat crimp shoe, with nose, female, ... 2,5mm²	<a href="#">754055</a>	0,65 €
Alt. regulator internal 55A	<a href="#">715782</a>	18,42 €	Rubber grommet 11/30, blue silicon	<a href="#">299517</a>	1,59 €

	Spacer ring for FN starters, see pictur	<a href="#">115847</a>	68,77 €		rubber		
	Starter, revised	<a href="#">215243</a>	293,99 €	1	ground strap 40cm, eyes 8 + 6mm, w.prot hose	<a href="#">354246</a>	39,50 €
5	Wiring, starter to terminal at oil pan	<a href="#">254167</a>	116,85 €	5	Starter motor, replaces Bosch GF+GFR models	<a href="#">215743</a>	214,51 €
9	Cap, starter terminal	<a href="#">154056</a>	5,71 €	9	Starter solenoid, 3 thread	<a href="#">215244</a>	39,37 €
15	Bushing, starter, d12,5xD16,5xL11,5	<a href="#">115032</a>	0,95 €	16	Rubber cap, starter wire, small	<a href="#">754026</a>	6,14 €
16	Bushing, starter, d12xD16xL16	<a href="#">215131</a>	0,77 €	21	Bushing, starter, d12xD16xL14	<a href="#">215042</a>	3,83 €
23	Carbon brush set, starters, FN	<a href="#">215249</a>	9,94 €	26	"Rotor shaft, starter "EF(R)"	<a href="#">215248</a>	217,35 €
30	used item required: overhaul of 35A generator	<a href="#">215250</a>	264,95 €	35	Seal kit set, starter	<a href="#">715509</a>	45,36 €
37	Brush, carbon, 55A, flat	<a href="#">215282</a>	115,33 €	38	Brush, carbon, 35A,flat,lt.	<a href="#">215281</a>	47,95 €
38	Carbon brush set Alt. 55A fr.'74	<a href="#">715283</a>	3,37 €	47	Brush, carbon, for soldering	<a href="#">215238</a>	3,84 €
47	Diode	<a href="#">215297</a>	6,44 €	50	Diode (negative)	<a href="#">215296</a>	16,01 €
50	Bearing fits several generators, frt, 17x52mm	<a href="#">715334</a>	20,13 €	50	Bearing several generators, front , 17 x 40 mm	<a href="#">215221</a>	6,05 €
53	Bearing rr side, div.generators 12x32	<a href="#">215226</a>	5,13 €	53	Bearing frt side div generators, 17x47x14	<a href="#">215222</a>	8,78 €
53	cap for bearing 6203	<a href="#">215223</a>	5,11 €	53	cap for bearing 6201	<a href="#">215228</a>	5,12 €
56	Extr. reg.,alternators '65->'74	<a href="#">254721</a>	29,85 €	56	Bearing fits several generators, rear, 12x28mm	<a href="#">715336</a>	4,31 €
56	regulator, copy of old design	<a href="#">254521</a>	41,92 €	56	Extr. reg.,alternators '65->'74, see pict	<a href="#">254621</a>	28,01 €
58	Plug hsng,Regulator, 3xflat	<a href="#">254080</a>	7,28 €	62	Extr. reg.,alternators '65->'74	<a href="#">254021</a>	690,57 €
62	Repair kit, armature, dyn.	<a href="#">215260</a>	29,00 €	64	Set nuts,bolts,washers - Alt. A0005466541	<a href="#">715289</a>	34,06 €
65	Generator 55A see picture, exchange	<a href="#">215280</a>	440,30 €	65	Terminal block, 3 pole	<a href="#">254064</a>	29,99 €
67	Interference suppression capacitor with flat plug connection 90°	<a href="#">715838</a>	7,97 €	67	Generator 65A (AC), exchange	<a href="#">215237</a>	278,26 €
70	Alt. regulator internal 55A, BOSCH	<a href="#">715282</a>	59,06 €	75	Interference suppression capacitor with eyelet connection	<a href="#">215838</a>	29,99 €
80	A0011553415 Pulley, generator late styl	<a href="#">215239</a>	30,20 €	80	Wire Connector, 90°, 9,5mm wide, e.g. generators	<a href="#">754187</a>	2,38 €
85	Support,alternator, 250-280"No-AC" used	<a href="#">215857</a>	172,55 €	86	woodruff key W4 H5	<a href="#">215077</a>	0,88 €
87	retainer shim, div. M8 mounts	<a href="#">109107</a>	3,45 €	88	Spacer sleeve, alternator bkt.	<a href="#">215044</a>	13,39 €
88	Spring washer 14mm e.g. cam wheel	<a href="#">105028</a>	0,55 €	89	Bolt, retaining, alt. Brack	<a href="#">215055</a>	8,35 €
90	Bolt, early generator tensioner (f.rbr washers)	<a href="#">215059</a>	33,43 €	92	Tightening nut @ tensioner M10, hex14	<a href="#">215058</a>	15,10 €
93	Retainer washer e.g. 230SL alternator	<a href="#">215053</a>	10,59 €	94	Retainer e.g. Generator bolt late	<a href="#">115093</a>	5,02 €
95	Rubber bushing, e.g. generator->rod	<a href="#">115817</a>	1,75 €	97	Rubber spacer, generator supp, 190late	<a href="#">115819</a>	4,26 €
97	Clamping block, generator belt adjuster	<a href="#">115022</a>	23,92 €	98	Clamping block, generator belt adjuster	<a href="#">115122</a>	19,04 €
99a	n.a.! Set shims+washers, anchor assem	<a href="#">715511</a>	7,25 €	101	Tightening screw, 127-130 w/o rbr bushings	<a href="#">215856</a>	31,76 €
					Bushing, e.g. alternator supports	<a href="#">215140</a>	3,07 €

## 15.e Electronic Ignition System, "1-2-3"-Retrofit

15.e Electronic Ignition System, "1-2-3"-Retrofit



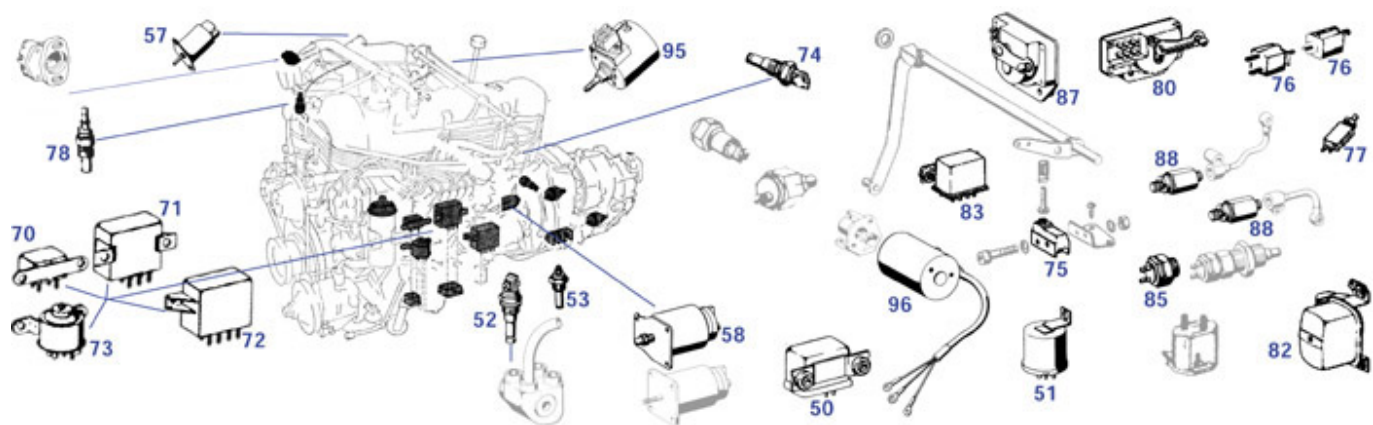
	Rotor distr.,Beru, 190SL, R113 "iron cast distr"	<a href="#">115004</a>	15,73 €		Distributor cap Bosh, fits "iron-dist"	<a href="#">215028</a>	71,22 €
	Screw, M4X6 Phillips, e.g switch	<a href="#">799546</a>	0,24 €	1			
1	1-2-3 distributor, USB-programmable	<a href="#">215801</a>	419,00 €	2	1-2-3 electronic distributor for 220 up to 280	<a href="#">215800</a>	325,00 €
2	Ign.Coil,std.actuated,needs Res:1,8	<a href="#">254011</a>	63,34 €	3	Ign coil VALEO 6-Cyl 108-113.. late	<a href="#">254811</a>	42,10 €
3	Ballast Resistor 0,9 Ohm, Reproduction	<a href="#">254766</a>	24,37 €	4	Resistor, 0,9 Ohm,silver, BOSCH	<a href="#">254066</a>	55,69 €
7	Pipe, vacuum, per mtr.	<a href="#">715027</a>	5,12 €	8	Adj. flange R4+R6 1958-1968	<a href="#">115073</a>	31,32 €
10	Dist. cap 230-280SL, fits iron distr., also 1-2-3-R6, Beru	<a href="#">215828</a>	30,94 €	11	Vacuum pipe, 2/4mm,per mtr	<a href="#">215027</a>	1,82 €
15	Ign.leads set M127... BREMI plugs	<a href="#">215120</a>	105,99 €	15	Rotor distr.,FACET, 190SL, R113 "iron cast distr"also 1-2-3	<a href="#">215704</a>	14,88 €
15	Ignition lead set 250-280SL	<a href="#">215720</a>	155,00 €	16	Ignition lead set 250-280SE/SEL/SL "push-on"	<a href="#">215020</a>	169,99 €
16	Spark plug, NGK BP7ES	<a href="#">215019</a>	3,39 €	17	Spark plug Bosch WR5DC	<a href="#">215919</a>	2,93 €
					Bracket,ign wires,plastic	<a href="#">215023</a>	1,49 €

### 15.e Electronic Ignition System, "1-2-3"-Retrofit

Conversion kit Ignitor-II, W113 w.distr. ..047/..051	<a href="#">215703</a>	417,69 €		Conversion kit Ignitor, 230SL early w. VJUR 6BR 49T	<a href="#">215702</a>	417,69 €
Conversion kit Ignitor-II, W113 w.distr. ..047/..051	<a href="#">215705</a>	385,56 €		Ignition Coil "Pertronix Flamethrower-II"	<a href="#">554711</a>	138,64 €

### 07.c electric engine control

07.c electric engine control



	Cover, for wire terminal @ autom-housing	<a href="#">254009</a>	33,24 €		Flasher relay, see pict, pin position changed	<a href="#">254060</a>	39,91 €
50	Rubbermount, relais	<a href="#">254295</a>	5,25 €	52	Thermo time swich, read Bosch Literature, F026T03101	<a href="#">907125</a>	154,11 €
52	ignition distributor repair kit	<a href="#">907124</a>	19,59 €	57	Solenoid,cst. valve(1 pole)	<a href="#">214014</a>	238,00 €
70	Relay, start-/ operation current, Repro	<a href="#">254095</a>	67,84 €	73	El. vacuum control valve	<a href="#">780054</a>	53,40 €
77	A0015450211 Contact switch, glovebox	<a href="#">254101</a>	402,03 €	78	Temp.-switch 100° Celsius	<a href="#">207163</a>	9,62 €
78	Temperature switch 100° e.g. A/C fan, FEBI	<a href="#">207963</a>	8,50 €	95	2 pole terminal	<a href="#">154052</a>	44,85 €
95	Solenoid   A0000720500	<a href="#">207100</a>	1.245,00 €	95	collar nut, e.g. Solenoid pin	<a href="#">299334</a>	13,66 €

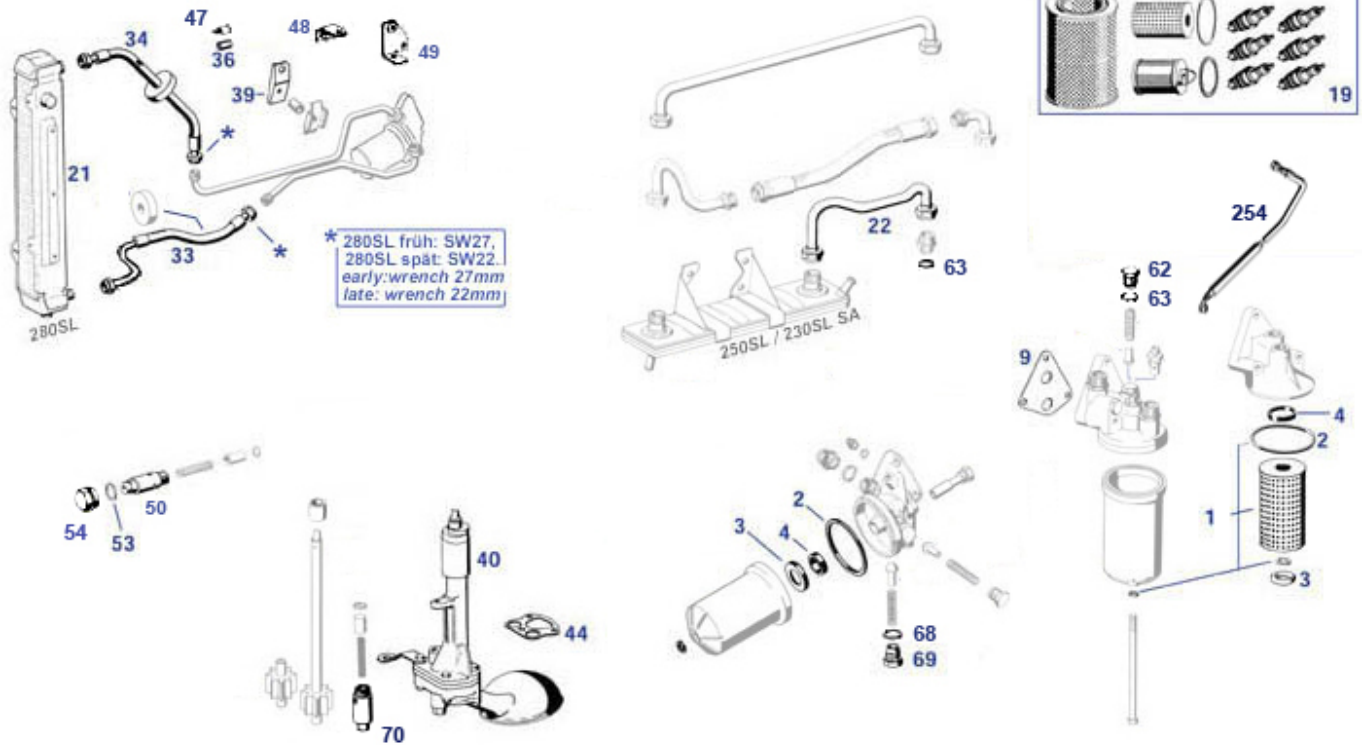
## 15.i Info Spark Plugs

15.i Info Spark Plugs



# 18 Engine Lubrication

## 18 Engine Lubrication

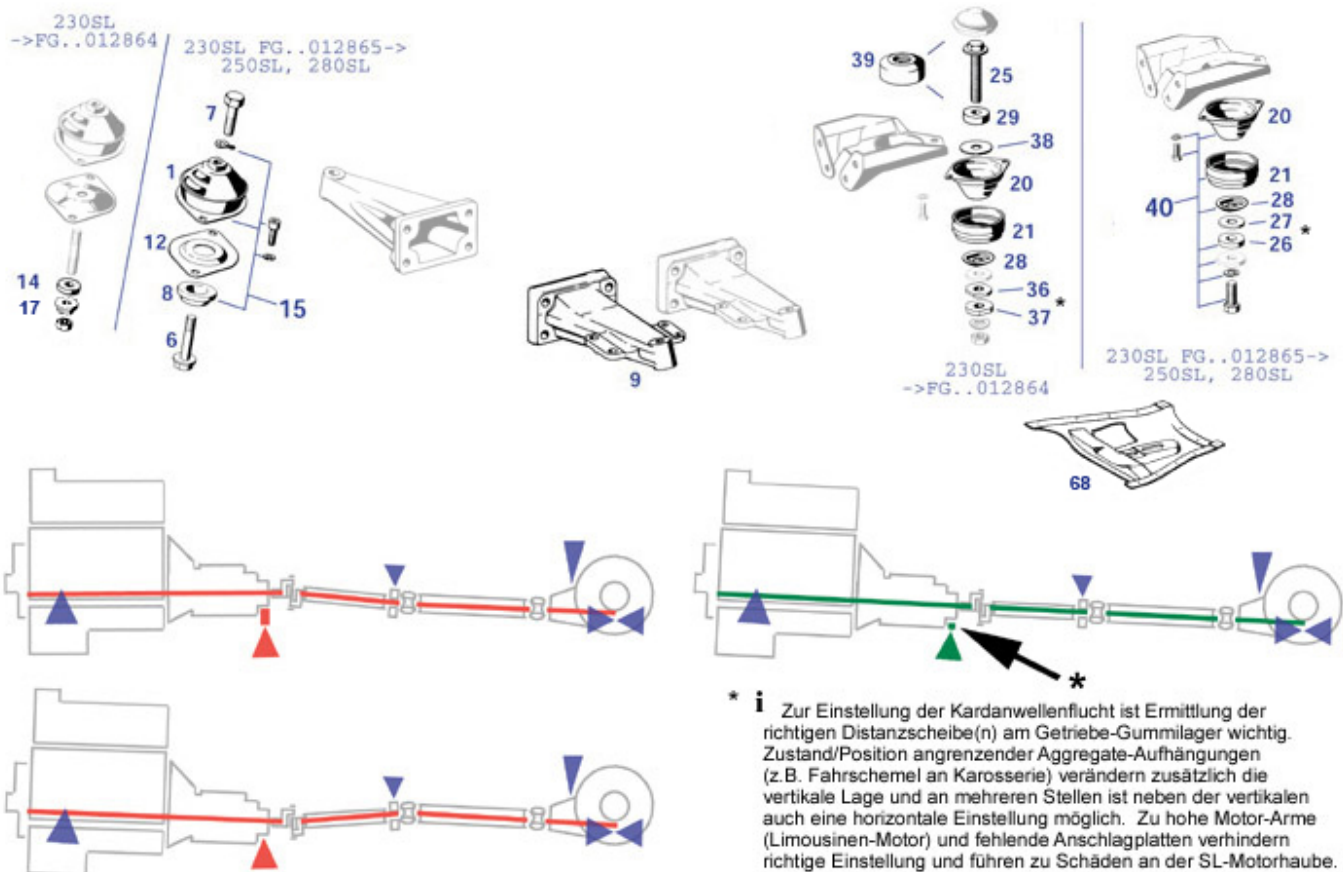


	Ring, filter housg, upper MB-orig:A0001843380	<a href="#">118943</a>	11,78 €		Oil filler cap, metal/snap-on	<a href="#">250702</a>	12,85 €
	Oil filler cap,	<a href="#">250802</a>	10,95 €	1	Oil filter incl. gasket, 1959-> "MANN"	<a href="#">118042</a>	10,59 €
1	Oil filter 190 SL, 230-280 SL; No Name	<a href="#">118842</a>	4,99 €	2	Ring, sealing, filter/housing	<a href="#">118009</a>	1,24 €
3	Ring, pressure, in hsg., lower	<a href="#">118045</a>	5,57 €	4	Ring, filter housg, upper	<a href="#">118043</a>	2,50 €
9	Gasket, upr.filter hsg/engine	<a href="#">118008</a>	1,69 €	21	Oil cooler, 280SL FN, Alu Repro	<a href="#">250011</a>	214,99 €
21	Oil cooler, 280SL FN, Alu Repro	<a href="#">250811</a>	303,45 €	27	Oilpipe, upper, 250SL (and 230 if heat-exchange)	<a href="#">218013</a>	122,00 €
33	Lower Oil Hose 280SL (,late)   hex 22/27	<a href="#">218010</a>	71,00 €	33	Hose,o/c,280SL,lower,early hex27/2	<a href="#">218008</a>	70,89 €
34	Hose,o/c,280SL,upr.,early hex27/2	<a href="#">218009</a>	52,37 €	34	Upper Oil Hose 280SL (,late)   hex 22/27	<a href="#">218011</a>	46,99 €
34	Oil hose, upper, 280SE (W108) early	<a href="#">818009</a>	71,39 €	39	bracket, oil pipes M130	<a href="#">218287</a>	30,58 €
40	Oil pump in exchange, 230S/SL	<a href="#">218422</a>	1.059,99 €	40	Oil pump 230S/SL	<a href="#">218432</a>	1.297,10 €
44	Gasket,oil pump housing	<a href="#">118005</a>	14,28 €	44	hex bolt M6 X 75 e.g. for oilpump, late version	<a href="#">218498</a>	1,02 €
44	Hex.bolt M6X50 e.g. for oilpump	<a href="#">218497</a>	0,76 €	47	Clamp, e.g. wiring, inner width 15mm	<a href="#">254069</a>	5,65 €
48	bracket, oil pipe M130 near pump flange	<a href="#">218286</a>	30,58 €	49	bracket, oil pipe, M130	<a href="#">218288</a>	30,58 €
53	Seal Ring   gear box drain plug	<a href="#">226047</a>	0,44 €	54	Plug screw M24 e.g. pressure valve	<a href="#">218816</a>	29,75 €
62	Screw plug, oil valve	<a href="#">218819</a>	27,25 €	63	Seal ring f. bolt 705004	<a href="#">705005</a>	0,68 €
63	Seal ring 18x22 Al	<a href="#">109019</a>	0,94 €	70	Valve,oil o/pressure, 280SL	<a href="#">218100</a>	38,50 €



## 22 Enginemounts

### 22 Enginemounts

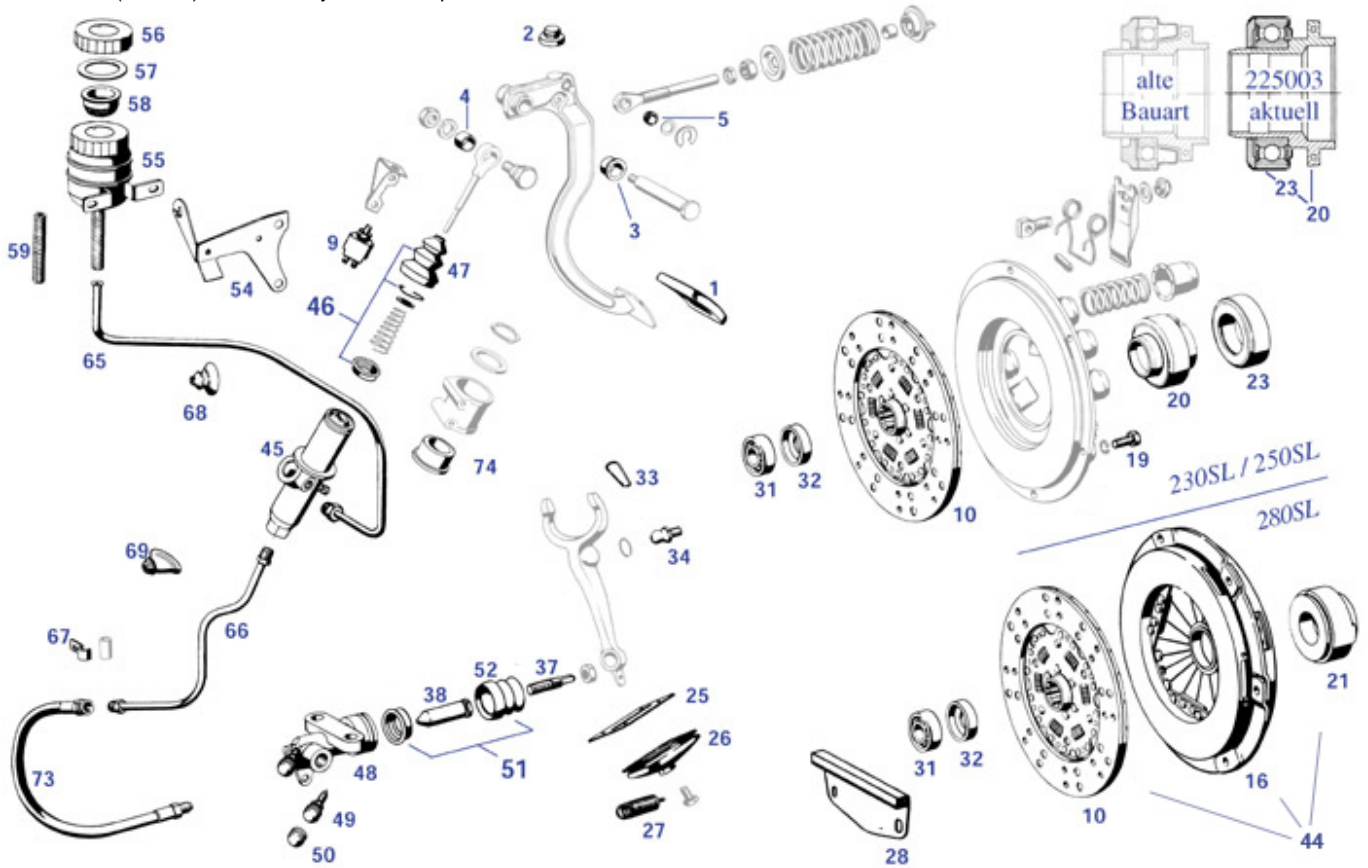


bits2	Bolt engine mount rear	<a href="#">222024</a>	1,54 €	bits3	Spring washer	<a href="#">222005</a>	0,44 €
bits	galvanized M8 Nut   N004032008005	<a href="#">222026</a>	0,21 €	bits	Screw engine mount rear	<a href="#">222025</a>	0,80 €
bits	galvanized Spring washer M8	<a href="#">233059</a>	0,21 €	bits3	Bolt, eng.mounting/chassis	<a href="#">222004</a>	0,64 €
1	Enginemountfrt.6-cyltypes	<a href="#">222010</a>	34,14 €	6	Bolt 57mm, rebound eng mount lower	<a href="#">222006</a>	25,73 €
7	Bolt, engine support/mounting	<a href="#">222007</a>	1,49 €	7	Spring washer,M12, rr axle, eng.mount	<a href="#">235314</a>	0,60 €
8	Rebound buffer	<a href="#">222009</a>	2,53 €	9	Support,engine,front,Lt. 230-280SL,Repro	<a href="#">222813</a>	232,05 €
12	Plate ,eng mount,front,late	<a href="#">222030</a>	55,00 €	14	Rubber shim 5mm eng support buffer	<a href="#">122039</a>	2,08 €
17	Bundmutter, Anschlag Motorlager	<a href="#">222039</a>	5,71 €	20	Engine mount 190SL left, R113 rear OE	<a href="#">122915</a>	79,99 €
21	Bellows, rear eng.mount	<a href="#">122830</a>	10,13 €	25	Bolt,rr.eng.mount 220SE/230SL early	<a href="#">222021</a>	14,70 €
25	Bolt L=80mm, 230SL-FN, rear mount	<a href="#">222027</a>	8,35 €	26	Steel distance washer 5mm, e.g.rr eng	<a href="#">222022</a>	11,90 €
27	Rubbershim	<a href="#">322039</a>	1,20 €	27	Shim,1 mm, rr.eng.mounts,if required	<a href="#">222023</a>	3,90 €
28	Plate, bellows @ engine mount	<a href="#">122035</a>	10,57 €	39	Rubberbuffer/bellow	<a href="#">322035</a>	5,15 €
40	Rep.-kit rr eng mount '66 - '71 / incl. OEM engine mount	<a href="#">222820</a>	113,53 €	68	Spring washer, u/j bolt	<a href="#">235303</a>	0,42 €
68	hex head screw M10 X 20, 10.9 zinc plated	<a href="#">235315</a>	1,40 €	68	lower plate, tunnel closure + gearbox carrier, Repro	<a href="#">268603</a>	737,80 €

## 25, 26 Clutch + 4-Speed-Box

### 25.a Clutch (manual), mechanic/hydraulic components

25.a Clutch (manual), mechanic/hydraulic components

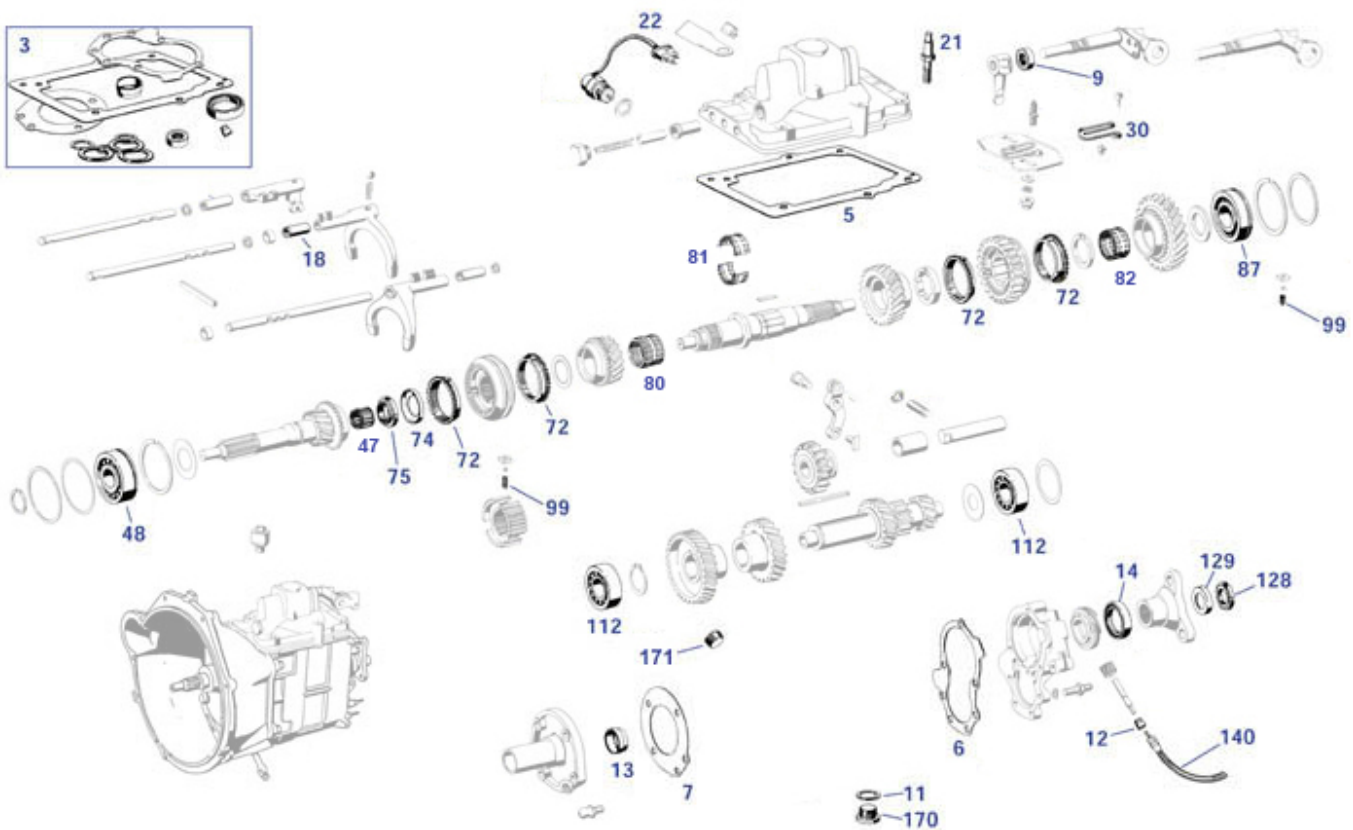


	Clutch disc 230SL; 228mm	<a href="#">225700</a>	30,68 €		Cl. rel. bearing 280E/SE +body; not w113	<a href="#">225804</a>	70,00 €
1	Rubber pad, brake and clutch pedal, no name	<a href="#">229005</a>	4,71 €	4	Nut, M8x1 slim, e.g. throttle shafts,...	<a href="#">107036</a>	0,56 €
5	A1102910750 Bush, clutch return spring	<a href="#">229028</a>	23,50 €	9	A0015450211 Contact switch, glovebox	<a href="#">254101</a>	402,03 €
10	Mounting aid clutch alignment	<a href="#">258250</a>	94,00 €	10	Clutch disc R113, 107-2.8 4-speed LUK	<a href="#">225800</a>	158,29 €
10	Clutch disc R113; 107-2.8 4-speed, F&S	<a href="#">225000</a>	155,62 €	16	Clutch pressure plate 280SL	<a href="#">225002</a>	171,50 €
19	Bolt 8x22, clutch plate	<a href="#">233064</a>	0,37 €	20	T/O bearing+bushing 250/280SL +sev 6-Cy	<a href="#">225803</a>	219,19 €
21	F+S 3151137101 Clutch bearing 280SL-113 H30*	<a href="#">225004</a>	337,17 €	21	Clutch bearing 280SL-113 H30* Repro ref 3 151 137 101	<a href="#">225704</a>	297,50 €
23	T/O bearg. w/o sleeve 6-cyl 62-65	<a href="#">425007</a>	83,30 €	23	Release bearing fits sleeve '65-'68	<a href="#">225807</a>	88,95 €
25	Seal holder, c.r.m.	<a href="#">225010</a>	11,84 €	26	Dust boot, rubber, @ clutch lever	<a href="#">125005</a>	5,94 €
27	A1119931110 Spring, c.r.m. 230-250SL	<a href="#">225011</a>	6,33 €	28	Plate , cover, gearbox case	<a href="#">225056</a>	33,97 €
30	-NL- Ausrückgabel 230-280SL	<a href="#">225081</a>	354,08 €	31	Pilot bearing	<a href="#">103093</a>	11,31 €
32	Cover, pilot bearing	<a href="#">103094</a>	1,81 €	33	Spring clamp	<a href="#">125013</a>	19,85 €
34	A1119910015 Ball pin, all from G.006111	<a href="#">225012</a>	43,90 €	38	Bolt, clutch slave cyl, 230-250SL, ..	<a href="#">229070</a>	30,26 €
44	clutch-set 1968 - 280, 4gear shift	<a href="#">225702</a>	499,80 €	45	Clutch master cylinder, 250S/SE/SL, FTE	<a href="#">229009</a>	256,11 €
45	Clutch master cylinder, 250S/SE/SL, No Name	<a href="#">229809</a>	86,22 €	45	Clutch master cylinder, 280SL	<a href="#">229004</a>	268,20 €
46	Cl.mast.cyl. rpr.kit 230SL, fits FTE+MB	<a href="#">229035</a>	41,00 €	46	Cl. mast. cyl. rpr. kit 250SL	<a href="#">229036</a>	12,32 €
48	Clutch slave cylinder 280SL	<a href="#">229003</a>	216,25 €	48	see 229003	<a href="#">229803</a>	63,08 €
48	Clutch slave cyl. 230-250SL	<a href="#">229002</a>	193,36 €	49	Bleeder screw, '58->, M6	<a href="#">143012</a>	6,59 €
50	Bleeder valve cap, brake, steering	<a href="#">143041</a>	2,62 €	51	Slave cyl.rep.kit 280SL	<a href="#">229033</a>	38,65 €

51	Slave cyl.rep.kit 250SL from.	<a href="#">229031</a>	24,89 €	51	Slave cyl.rep.kit 230SL, 250SL ->G01289	<a href="#">229032</a>	18,35 €
54	3pcs-assy Bracket, clutch+waterreservoi	<a href="#">229086</a>	61,29 €	55	Reservoir, cl. hyd. fluid	<a href="#">220102</a>	100,00 €
56	A0004315433 Reservoir cap	<a href="#">143023</a>	15,55 €	65	Pipe Clutch Hydraulic, -replacement!	<a href="#">229007</a>	39,98 €
66	Pipe, CI mast.->ho. 250-280LHD M12 thread	<a href="#">229011</a>	44,57 €	66	Pipe, lower,c.r.m. 230SL LHD, M14 thread	<a href="#">229012</a>	50,62 €
67	Clamp,small,e.g.hydraulicpipe	<a href="#">229027</a>	3,65 €	68	Rubbergrommet at firewall	<a href="#">299002</a>	3,05 €
69	Grommet, 6/27mm,45° hydr.line clutch	<a href="#">298787</a>	2,82 €	69	Grommet 6/26, 45°, e.g. hydr-line clutc	<a href="#">299001</a>	2,68 €
73	Hose,clutch slave.cyl. 230SL, 213mm, M14/F14	<a href="#">229010</a>	47,60 €	73	Clutch hose 250/280SL M14/W12	<a href="#">229713</a>	18,90 €
98	Hexagonal nut 10 M8, galv. Verz.	<a href="#">990101</a>	0,15 €	98	Bolt M8, eg bellhouse at slave cylinder	<a href="#">299229</a>	4,30 €

## 26.a Gearbox (manual)

### 26.a Gearbox (manual)

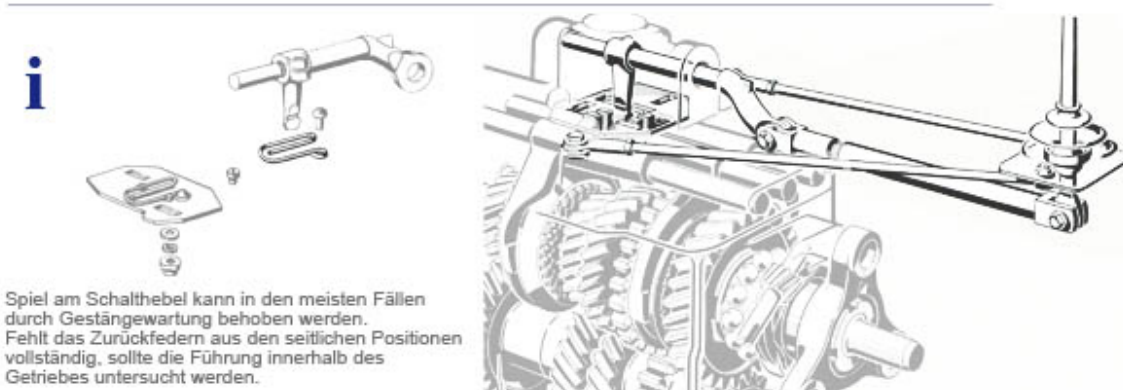
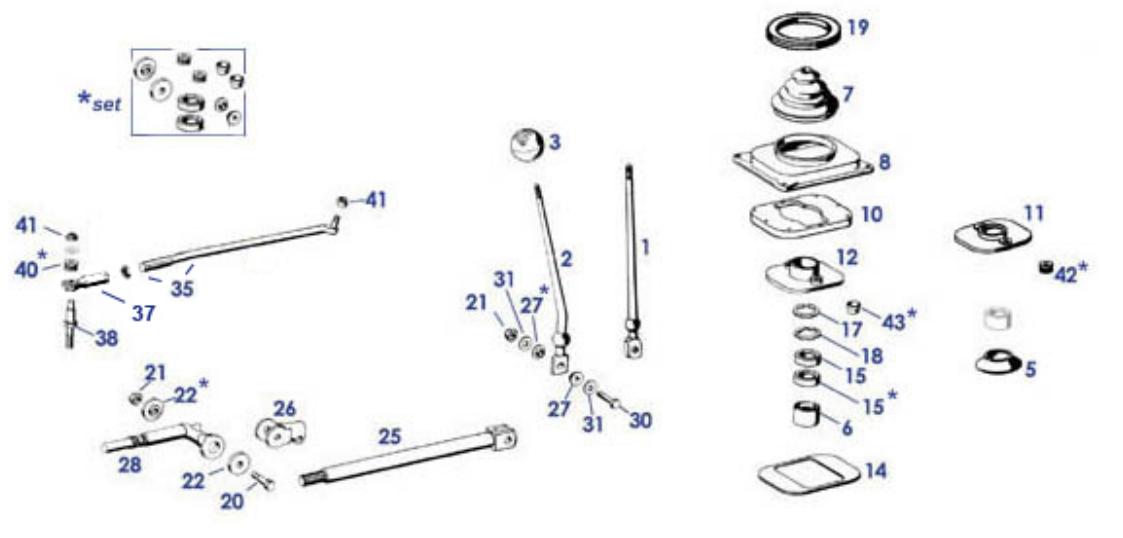


	washer 7,4 X 14 X 1,6 zinc plated	<a href="#">226124</a>	0,14 €		Synchronizing ring, per piece	<a href="#">226750</a>	89,90 €
3	gear bearing set, 8pcs.	<a href="#">226860</a>	809,20 €	3	Gasket set 5-speed ZF, late 280	<a href="#">226295</a>	232,05 €
5	Trans. top cover gasket 025118	<a href="#">126015</a>	7,60 €	6	Rear Gasket, Gear Box	<a href="#">226112</a>	12,30 €
6	Gasket, gear box rear	<a href="#">226712</a>	12,30 €	7	Gkt.gear box fr. 250-280SLFN	<a href="#">226749</a>	10,70 €
7	Gkt. gear box front, -> 09.64	<a href="#">126719</a>	11,89 €	7	Gkt.gear box front, 230SL from G 006111, 250-280SL	<a href="#">226049</a>	11,42 €
7	Gkt. gear box front, -> 09.64	<a href="#">126019</a>	12,95 €	9	Seal ring gear link / housg-top	<a href="#">226012</a>	3,68 €
11	Seal Ring   gear box drain plug	<a href="#">226047</a>	0,44 €	12	Seal ring speedo/rev drive	<a href="#">126039</a>	4,88 €
12	rubber seal, speedo cable, if flange with furrow, large	<a href="#">254119</a>	10,71 €	13	Seal ring e.g. gear driveshaft IN, OD=3	<a href="#">126042</a>	4,25 €
13	Seal ring man-gear driveshaft, OD=47mm	<a href="#">526042</a>	3,68 €	14	Seal @ transmission	<a href="#">126030</a>	7,31 €
18	Sleeve, selector rod	<a href="#">226164</a>	3,05 €	21	Bold, gear box top, from 12.65	<a href="#">226144</a>	16,72 €
21	Bolt, shift shaft bearing ->11.65	<a href="#">226142</a>	17,78 €	23	Spring clip for Rt.+Lt. cable	<a href="#">254071</a>	0,83 €
23	contact pin 4mm brass silver plated	<a href="#">754956</a>	0,54 €	23	Part of housg. 2-pole connector w.nose	<a href="#">754955</a>	5,60 €

25	hex.socket head cap screw M7X20 fits to 233077	<a href="#">233074</a>	0,92 €	30	Spring at shift link	<a href="#">126014</a>	14,33 €
47	Roller cage bearing, copper version	<a href="#">226056</a>	59,45 €	72	Synchronizing ring, per piece, Repro, nose-width 10mm	<a href="#">226050</a>	26,18 €
72	Synchronring	<a href="#">226850</a>	22,49 €	73	Synchronizer body for 3rd & 4th gear	<a href="#">126070</a>	823,88 €
74	Lock washer,nut, main sht. fr.	<a href="#">226054</a>	3,25 €	75	Nut, main shaft M26x1,5	<a href="#">226055</a>	15,92 €
78	Sync. inner mech. ->280SL CN.001679	<a href="#">226160</a>	121,12 €	80	Needle bearing, 3rd gear,23	<a href="#">226057</a>	171,35 €
81	needle bearing set, main shaft	<a href="#">226058</a>	255,28 €	82	needle bearing main shaft for 1st gear	<a href="#">226061</a>	235,00 €
87	Ball bearing, main shaft	<a href="#">226859</a>	48,93 €	87	Set main roller beargs 5-speed ZF	<a href="#">226297</a>	428,40 €
87	Ball bearing, drive shaft, 5-speed box 35x80x21	<a href="#">226559</a>	15,57 €	87	Ball bearing, main shaft	<a href="#">226959</a>	82,38 €
99	Spring, Synchromesh mechanism	<a href="#">226151</a>	1,25 €	99	steel ball 6,5 acc. to DIN5401	<a href="#">226152</a>	0,50 €
100	-NL- Vorg.Welle 230SL G..011320->012575	<a href="#">226146</a>	357,00 €	112	Bearing gear ratio shaft	<a href="#">226876</a>	24,51 €
112	ball bearing countershafts, 25x62x17	<a href="#">226076</a>	52,18 €	116	Reverse shaft	<a href="#">126045</a>	190,40 €
128	Set 3 pcs tools, fitting MB grooved nut	<a href="#">258260</a>	285,60 €	128	Nut, flange, M24x1,5	<a href="#">126072</a>	21,00 €
129	Lock for 3 way flange	<a href="#">126871</a>	4,33 €	140	Speedo flex shaft>manual	<a href="#">254100</a>	38,35 €
150	Gearbox cover,upper 230-280SL	<a href="#">226200</a>	1.041,25 €	158	A1119910015 Ball pin, all from G.006111	<a href="#">225012</a>	43,90 €
170	Plug screw with collar, M24	<a href="#">226046</a>	1,64 €	171	Plug screw M22 with collar	<a href="#">114035</a>	24,61 €

## 26.b Gearlever Linkage

### 26.b Gearlever Linkage

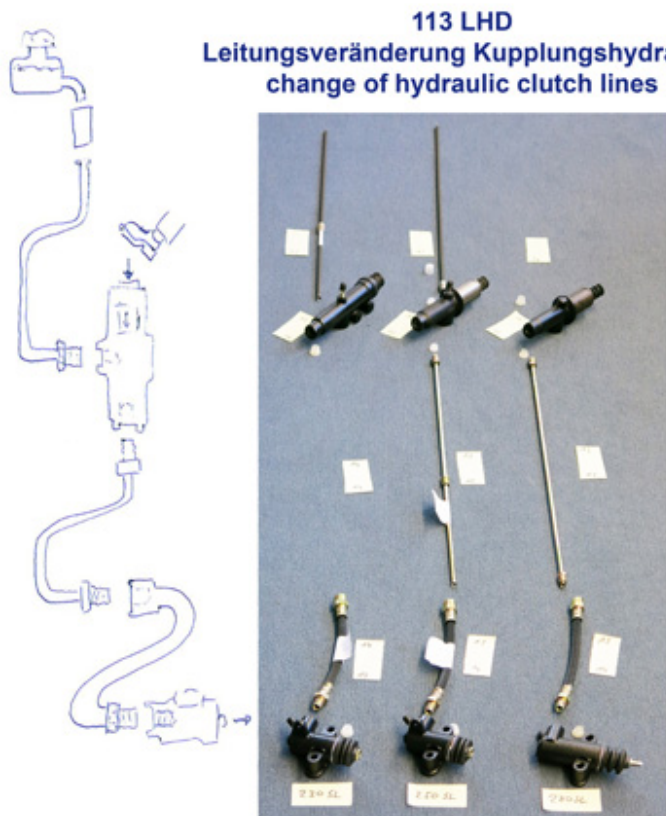


2	Spring at shift link	<a href="#">126014</a>	14,33 €	1	Gear/Shifting leverFN	<a href="#">226020</a>	266,83 €
2	Shift lever .042 014259->, 043,044	<a href="#">226026</a>	297,02 €	3	Gear lever knob,black,4 speed, Repro	<a href="#">226000</a>	46,34 €
3	Knob ivory, 4-speed, push-on, Repro	<a href="#">226002</a>	45,80 €	5	Seal boot 230SL early	<a href="#">226014</a>	4,26 €

6	Seal boot FN	<a href="#">226005</a>	4,26 €	7	Seal boot on gear lever	<a href="#">226007</a>	8,39 €
8	Cover, gear lever support 113, 111	<a href="#">226015</a>	53,49 €	10	Rubber frame shift console	<a href="#">226816</a>	9,94 €
12	Gear lever support from 11.'65	<a href="#">226018</a>	70,03 €	14	Buffer plate, lever support,lower	<a href="#">226019</a>	8,19 €
15	Bushing pan gear lever	<a href="#">226833</a>	7,44 €	17	A0009947041 Lock ring on gear lever	<a href="#">226053</a>	3,80 €
18	Spring washer	<a href="#">126055</a>	12,25 €	19	Grommet, gearlever @ carpet	<a href="#">268675</a>	8,93 €
20	Bolt M7, lever link front eyes	<a href="#">226023</a>	15,89 €	21	Nut M7, self locking	<a href="#">226024</a>	1,24 €
22	Bushing gear lever rod	<a href="#">126811</a>	7,20 €	25	Gear shift rod, repro	<a href="#">226027</a>	270,40 €
26	Fork flange, shifting rod	<a href="#">226025</a>	197,60 €	27	Bushing Gear Linkage (required 4x)	<a href="#">126012</a>	4,75 €
30	Bolt M7, e.g. gear lever from VIN ..42-10-004926	<a href="#">226034</a>	0,96 €	30	Bolt, e.g. shift linkage up to ..42-10-004925	<a href="#">226035</a>	10,56 €
31	Washers,gear lever end bolt, ref.-No. A1119903540	<a href="#">226028</a>	10,91 €	35	Reaction rodFN 230 SI after 014259, 250+280 all	<a href="#">226036</a>	199,19 €
37	Banjo fitting, lever support bars, 230 from 014259, 250+280 all	<a href="#">226038</a>	131,94 €	38	Bolt, shift shaft bearing ->11.65	<a href="#">226142</a>	17,78 €
38	Bold, gear box top, from 12.65	<a href="#">226144</a>	16,72 €	40	Bushing .042 from ..14259, 043,044	<a href="#">226741</a>	13,47 €
42	Bushing at Gearb. up to .042->014258	<a href="#">226009</a>	4,75 €	43	Bushing support strut   1966 ->	<a href="#">226813</a>	11,29 €

## 29.i Info Veränderung der Hydraulikteile

29.i Info Veränderung der Hydraulikteile



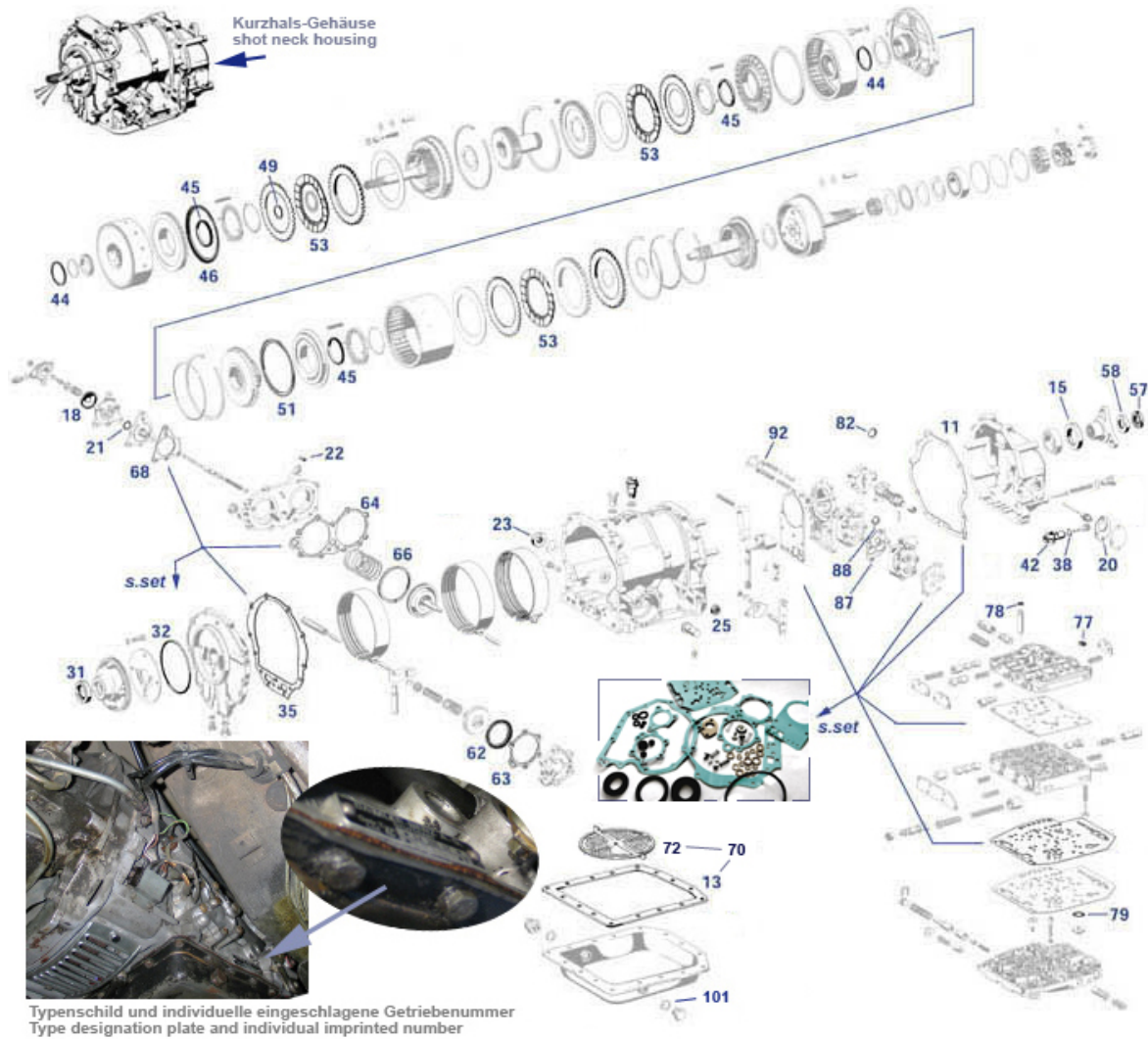
	LHD	LHD	LHD
	230SL	250SL	280SL
Verb.-Schlauch Vorrat an obere Leitung Connection Hose Reservoir to upper Pipe	<a href="#">229001</a>	<a href="#">229001</a>	<a href="#">229001</a>
Rohrleitung Vorrat an Geberzylinder Pipe Reservoir to CL-Mastercylinder	<a href="#">229007</a>	<a href="#">229007</a>	<a href="#">229021</a>
Hydraulik-Gewinde Hydraulic Connection Thread	M12	M12	M14
Geberzylinder CL-Mastercylinder	<a href="#">229808</a>	<a href="#">229009</a>	<a href="#">229804</a>
Hydraulik-Gewinde Hydraulic Connection Thread	M14	M12	M12
Rohrleitung Geberzylinder an Schlauch Pipe CL-Mastercylinder to flexible Hose	<a href="#">229012</a>	<a href="#">229011</a>	<a href="#">229029</a>
Hydraulik-Gewinde Hydraulic Connection Thread	M14	M12	M12
Druckschlauch flexible pressure Hose	<a href="#">229810</a>	<a href="#">229813</a>	<a href="#">229813</a>
Hydraulik-Gewinde Hydraulic Connection Thread	M14	M14	M14
Nehmerzylinder Clutch Slave Cylinder	<a href="#">229802</a>	<a href="#">229802</a>	<a href="#">229803</a>

229007	Clutch slave cylinder 280SL Pipe Clutch Hydraulic, -replacement!	<a href="#">229003</a>	216,25 €	229009	Clutch master cylinder, 280SL Clutch master cylinder, 250S/SE/SL, FTE	<a href="#">229004</a>	268,20 €
229011	Pipe, Cl mast.->ho. 250-280LHD M12 thread	<a href="#">229011</a>	44,57 €	229012	Pipe, lower,c.r.m. 230SL LHD, M14 thread	<a href="#">229012</a>	50,62 €
229802	Clutch slave cyl. 230-250SL	<a href="#">229002</a>	193,36 €	229803	see 229003	<a href="#">229803</a>	63,08 €
229810	Hose,clutch slave.cyl. 230SL, 213mm, M14/F14	<a href="#">229010</a>	47,60 €	229813	Clutch hose 250/280SL M14/W12	<a href="#">229713</a>	18,90 €

## 27 Automatic Gearbox

### 27.a Automatic Gearbox

27.a Automatic Gearbox

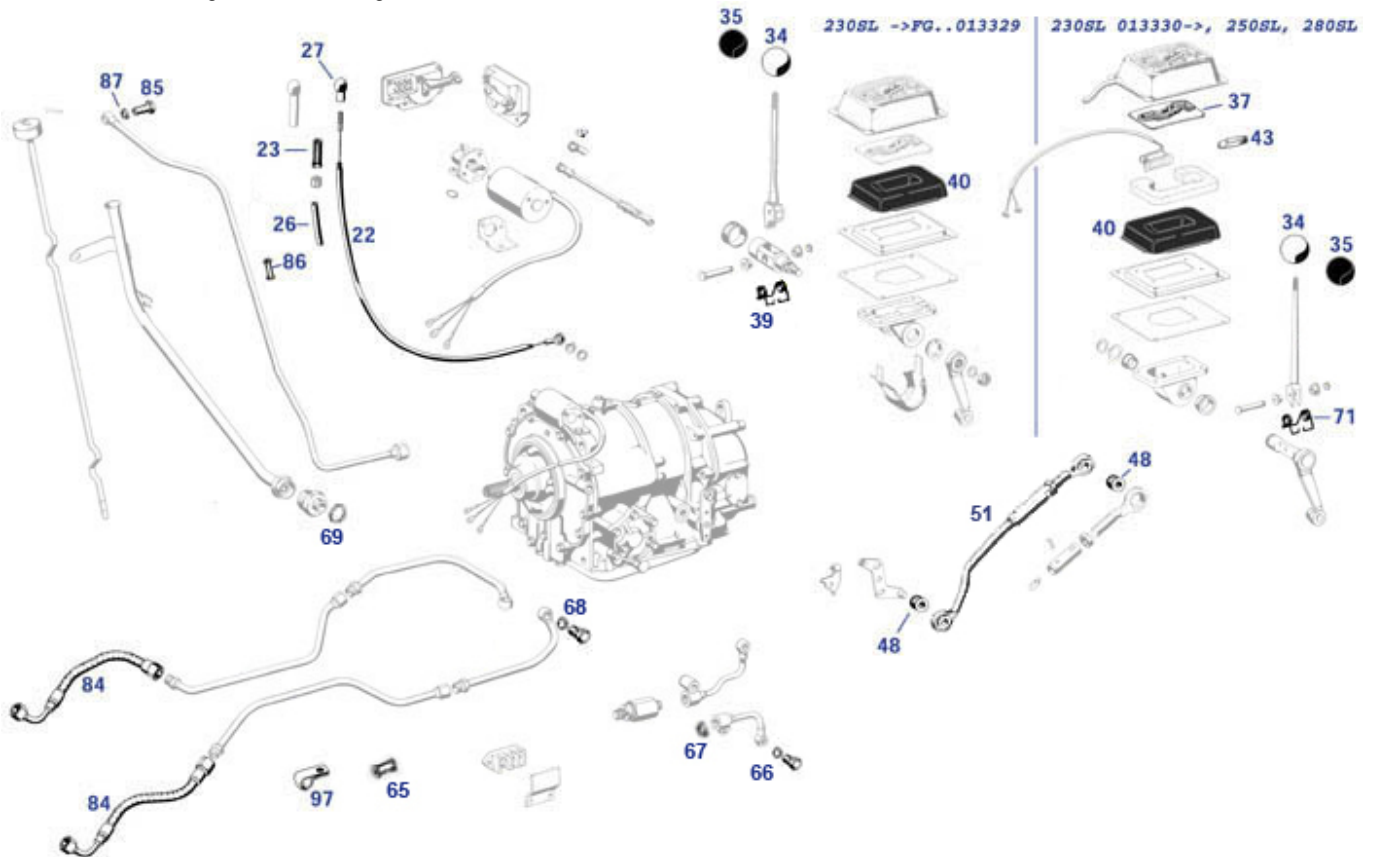


	see 227252	<a href="#">227800</a>	291,55 €		Seal ring at autom.clutches ref A1152720692	<a href="#">227246</a>	8,75 €
	hollow bolt M12, e.g. @autom gear lines	<a href="#">107141</a>	10,59 €		Metal clutch plate, outer, autom., 3mm	<a href="#">727223</a>	16,24 €
	Metal clutch plate, outer, autom., 4mm	<a href="#">727224</a>	16,24 €	11	A1122711480 Gasket,auto g.b. Rear	<a href="#">227180</a>	12,30 €
13	Gasket, sump, autom.gearbox	<a href="#">227004</a>	3,63 €	13	Gasket, sump, autom.gearbox	<a href="#">227704</a>	3,50 €
15	Seal ring 250/280SL e.g. autm. rr 38x62	<a href="#">227042</a>	6,25 €	15	Oil seal ring, rear Autm,230SL,111 earl	<a href="#">227041</a>	8,20 €
18	Diaphragm, pressure regulato	<a href="#">227820</a>	23,80 €	19	Gasket, vacuum cylinder, ref.-No. A1102770180	<a href="#">227280</a>	7,35 €
20	Gasket, speedo drive/cover, ref.No. A1122740180	<a href="#">227029</a>	3,87 €	21	'O' ring	<a href="#">227027</a>	0,58 €
31	Seal ring, primary pump, au.	<a href="#">227045</a>	6,62 €	32	'O' ring, primary pump, autm.	<a href="#">227047</a>	2,31 €
35	Gasket set, Repro, autm. transm.	<a href="#">227252</a>	158,87 €	42	rubber seal, speedo cable, if flange with furrow, small	<a href="#">254118</a>	10,89 €
42	Flange, speedo cable / autm, improved	<a href="#">227826</a>	169,93 €	45	Disc, autom.	<a href="#">227848</a>	13,09 €
53	friction disc 113 autom. 2.2mm	<a href="#">227225</a>	25,32 €	53	Metal clutch plate, outer, autom., 2mm	<a href="#">227224</a>	11,88 €
53	Metal clutch plate, outer, autom., 3,5mm	<a href="#">727226</a>	16,24 €	57	Nut, flange, M24x1,5	<a href="#">126072</a>	21,00 €
58	Lock for 3 way flange	<a href="#">126871</a>	4,33 €	62	Ring, sealing lip, ref. A 112 277 0192	<a href="#">227832</a>	13,09 €

70	Oil filter w/o seals, from G 006750	<a href="#">227805</a>	112,17 €	72	Saling strip @ oil filter	<a href="#">227019</a>	3,63 €
77	A1122770392 Seal ring, autm.control uni	<a href="#">227867</a>	4,76 €	78	Gasket, change lever housing	<a href="#">227063</a>	0,56 €
79	A0059974145 Sealing ring, change lever	<a href="#">227069</a>	0,60 €	82	'O' ring, speedo drive	<a href="#">227037</a>	0,58 €

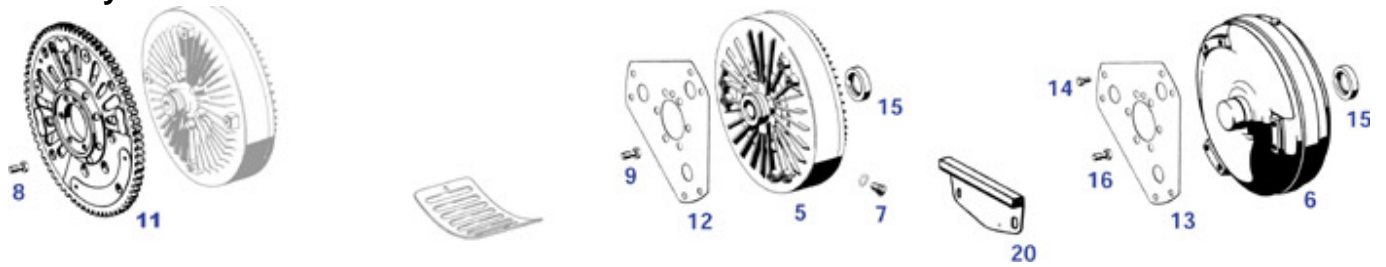
## 27.b Automatic: Linkage and Connecting Parts

27.b Automatic: Linkage and Connecting Parts



	clamp	<a href="#">107043</a>	17,14 €	22	bowden cable for reverse light, R113 Au	<a href="#">227803</a>	37,06 €
23	Adjustable Sleeve for Gear Shift Cable - Automatic	<a href="#">227032</a>	20,10 €	26	rubber hose, protection, 1m	<a href="#">799909</a>	1,00 €
29	A0005466541 Terminal block, 3 pole	<a href="#">254064</a>	29,99 €	33	A1123040060 Sealing ring, solenoid	<a href="#">227062</a>	6,93 €
34	Handle,gearshift,ivory	<a href="#">226003</a>	46,34 €	35	Handle,gearshift,black	<a href="#">226001</a>	51,25 €
37	Plastic inlay, shift gate R113, "P" rear	<a href="#">226101</a>	17,45 €	37	Plastic inlay, shift gate R113, "P" rear	<a href="#">226201</a>	20,85 €
39	Spring, Autom lever base from ca 09.'65	<a href="#">226319</a>	37,49 €	39	Spring, Autom lever base up to ca 09.'65	<a href="#">226318</a>	27,49 €
40	Rubber grommet Autom. shift	<a href="#">226103</a>	58,25 €	43	Bulb 12V / 3W, torpedo, total length 30	<a href="#">226102</a>	2,53 €
48	Bushing,shift rod front/back	<a href="#">226043</a>	3,55 €	50	Bushing	<a href="#">226042</a>	41,65 €
51	Automatic gear shift rod ...0533	<a href="#">226740</a>	202,29 €	51	Automatic gear shift rod ...0533	<a href="#">226040</a>	199,00 €
52	Insert for push rod sleeve (autm-lever)	<a href="#">226044</a>	35,69 €	54	Cover, for wire terminal @ autom-housing	<a href="#">254009</a>	33,24 €
57	foam insert, autm. lever box	<a href="#">226107</a>	19,75 €	58	insulation pad, autm lever box	<a href="#">226106</a>	16,66 €
65	Grommet for oilpipe, autom.	<a href="#">227059</a>	2,96 €	66	Sealing ring ID8, eg. for hollow screw	<a href="#">220011</a>	0,10 €
67	Alu seal ring M12, eg. eng. block@chain	<a href="#">107143</a>	0,24 €	68	hollow bolt M12, e.g. @autom gear lines	<a href="#">107141</a>	10,59 €
69	Seal ring 14mm Alu	<a href="#">207186</a>	1,08 €	84	Hose, autm. oil to rad L or R	<a href="#">227901</a>	94,40 €
85	Hollow screw on suction pipe	<a href="#">227022</a>	2,05 €	86	Protective sleeve,vacuum pipe	<a href="#">227858</a>	5,36 €
87	Seal ring 10x13,5, Alu, e.g. sender, hollow bolts	<a href="#">227023</a>	0,50 €	97	Clamp, oil pipe, autom.	<a href="#">227099</a>	4,46 €

## 25.c Hydr. Clutch



	Cover, for wire terminal @ autom-housing	<a href="#">254009</a>	33,24 €	8	Flywheel stretch bolt	<a href="#">103029</a>	9,98 €
15	Seal ring,primary pump, au.	<a href="#">227045</a>	6,62 €	16	Bolt, flywheel Autm. 129-130, 127FN	<a href="#">203027</a>	42,19 €
20	Plate , cover, gearbox case	<a href="#">225056</a>	33,97 €	20	Cover plate eng-to-autm flange early	<a href="#">225058</a>	95,72 €

## 27.i Info Belagzustand

27.i Info Belagzustand



**Info Belagzustand - Indikator Getriebeöl:**  
die Demontage der Getriebeölwanne ist einfach und liefert gute Hinweise: An Filter und in Ecken der Ölwanne sammeln sich zuerst die Zeugen verschlissener Bremsbänder oder Kupplungen.

1: Innenlamelle Neuteil.

2: Belagstärke OK, aber Öl verrußt durch Abbrand anderer Beläge.

3: Verschleißgrenze des Belages erreicht, Schaltvorgänge noch OK.

4: Schaltvorgänge beginnen zu rutschen, Einstellversuche am Moduldruck können das Problem noch kurzfristig verlagern.

5 + 6: vollständiger Belagverlust führt zu Verschleiß der Außenlamellen. Nicht selten werden die Getriebe noch über viele Tausend Kilometer weiter gefahren.

7: Verzug infolge Lamellen-Überhitzung, Metall-Abrieb im rußverdunkelten Öl führt zu erheblichen Folgeschäden im restlichen Getriebe.



2



5



3



6



4

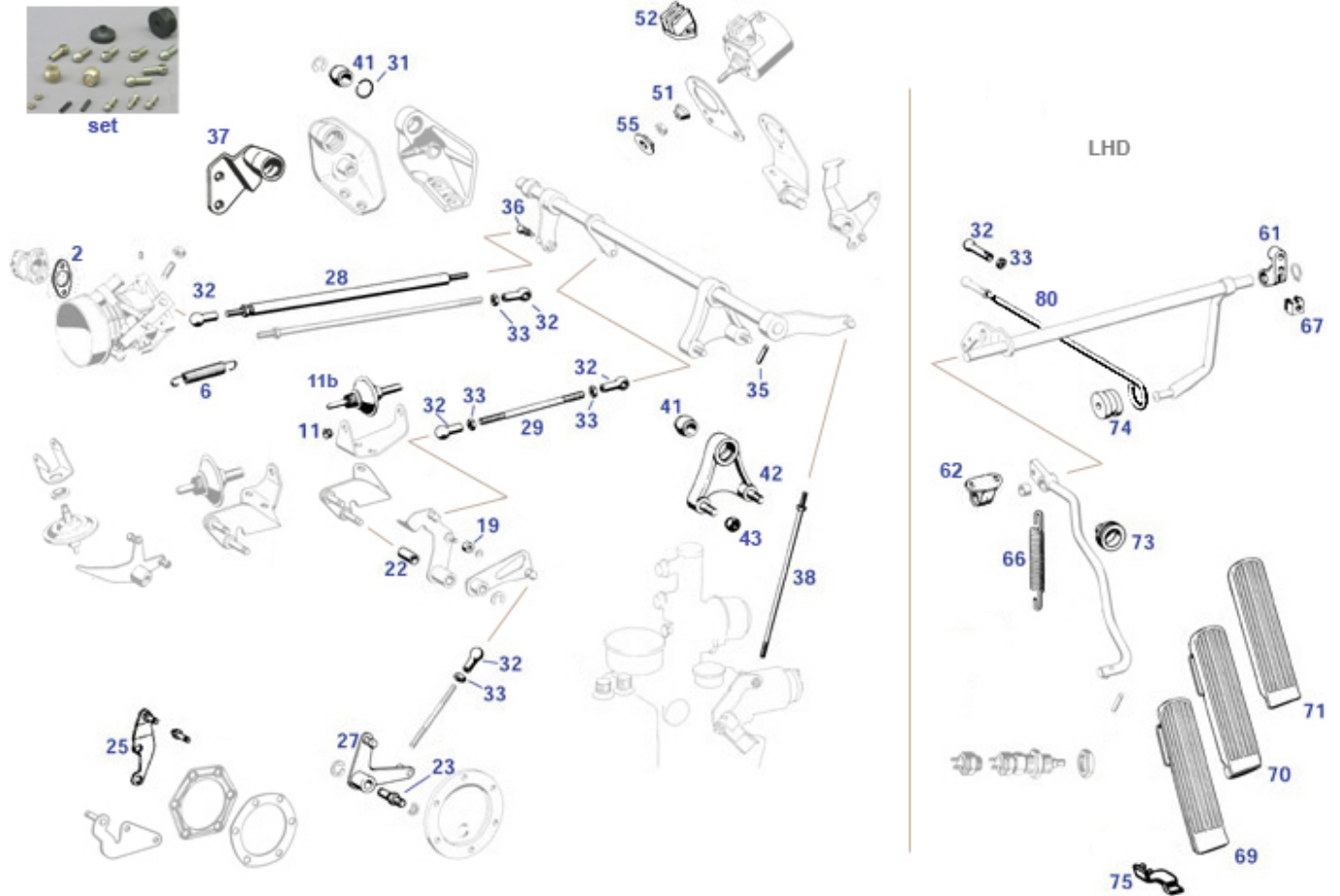


7



## 30 Acc Linkage

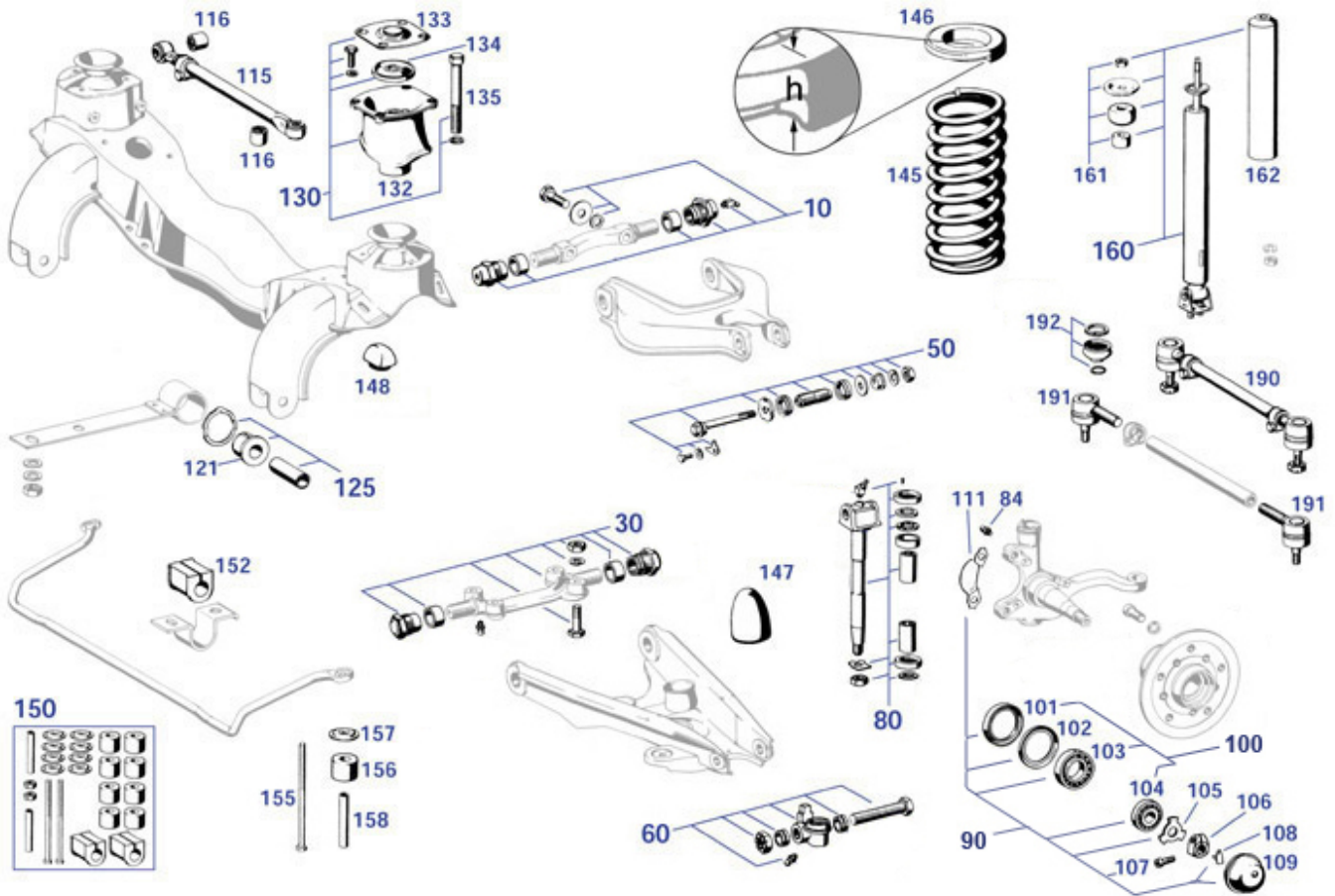
30 Acc Linkage



	Dampening rubber for pull rod	<a href="#">130200</a>	11,75 €	2	Gasket, idler switch, metal	<a href="#">214080</a>	3,69 €
2	Cap, throttle flap shaft	<a href="#">214074</a>	55,22 €	6	Spring, throttle flap	<a href="#">230017</a>	15,93 €
11b	Accel. shut off damper, shape see photo	<a href="#">207116</a>	109,00 €	19	nylon roll für acc linkage levers with gate	<a href="#">207873</a>	1,96 €
23	Bushing, acc linkage near engine	<a href="#">230015</a>	5,43 €	25	support acc linkage at engine support	<a href="#">230018</a>	15,90 €
27	Lever, acc linkage, see picture	<a href="#">230016</a>	97,50 €	28	Push rod, acc-link, 280mm L/R-thread	<a href="#">230032</a>	85,88 €
29	Pull rod, link to acc turn shaft	<a href="#">230835</a>	19,36 €	32	Ball socket with Lt. hand threads	<a href="#">230004</a>	2,44 €
33	Nut, 5mm, right hand thread	<a href="#">199095</a>	0,24 €	33	Nut, 5mm Lt. Hd. Threads	<a href="#">230006</a>	0,83 €
35	spring type straight pin 4 X 18	<a href="#">230007</a>	0,51 €	36	Ball headed bolt	<a href="#">230008</a>	1,67 €
38	Push rod, acc link to inj-pump, R+L-thr	<a href="#">230809</a>	24,51 €	41	Brass bush, throttle link support	<a href="#">207085</a>	3,99 €
42	ACC linkage shaft support LH, eng 127-130E	<a href="#">207788</a>	127,20 €	43	Clamp, vacuum line at support	<a href="#">243079</a>	21,60 €
43	Special nut, acc linkage support to mount LH	<a href="#">230029</a>	3,57 €	50	Solenoid   A0000720500	<a href="#">207100</a>	1.245,00 €
51	Grommet, acc linkage solenoid	<a href="#">207899</a>	3,93 €	52	2 pole terminal	<a href="#">154052</a>	44,85 €
55	collar nut, e.g. Solenoid pin	<a href="#">299334</a>	13,66 €	61	Bracket, ACC-shaft, holes vertical	<a href="#">230013</a>	75,08 €
62	mount, acc shaft, e.g. 113 lh, others	<a href="#">230042</a>	52,00 €	66	Spring, e.g. throttle linkage R113	<a href="#">199091</a>	20,29 €
67	Cage nut M6, no locking	<a href="#">188835</a>	1,90 €	69	Accelerator pedal, 113 manual	<a href="#">230000</a>	91,93 €
70	Acc.pedal R113-autom. cplt.	<a href="#">230100</a>	130,00 €	71	Ruber pad, accelerator pedal	<a href="#">230001</a>	26,18 €
73	Grommet, acc. Pedal, bulkhead	<a href="#">299006</a>	4,19 €	74	Dampening rubber for pull rod 45 SHORE A	<a href="#">130800</a>	6,39 €
74	Buffer ring, acc linkage (60°SH)	<a href="#">230800</a>	6,39 €	75	Bracket, accelerator pedal assy LHD	<a href="#">261140</a>	41,00 €

## 32, 33 Front suspension

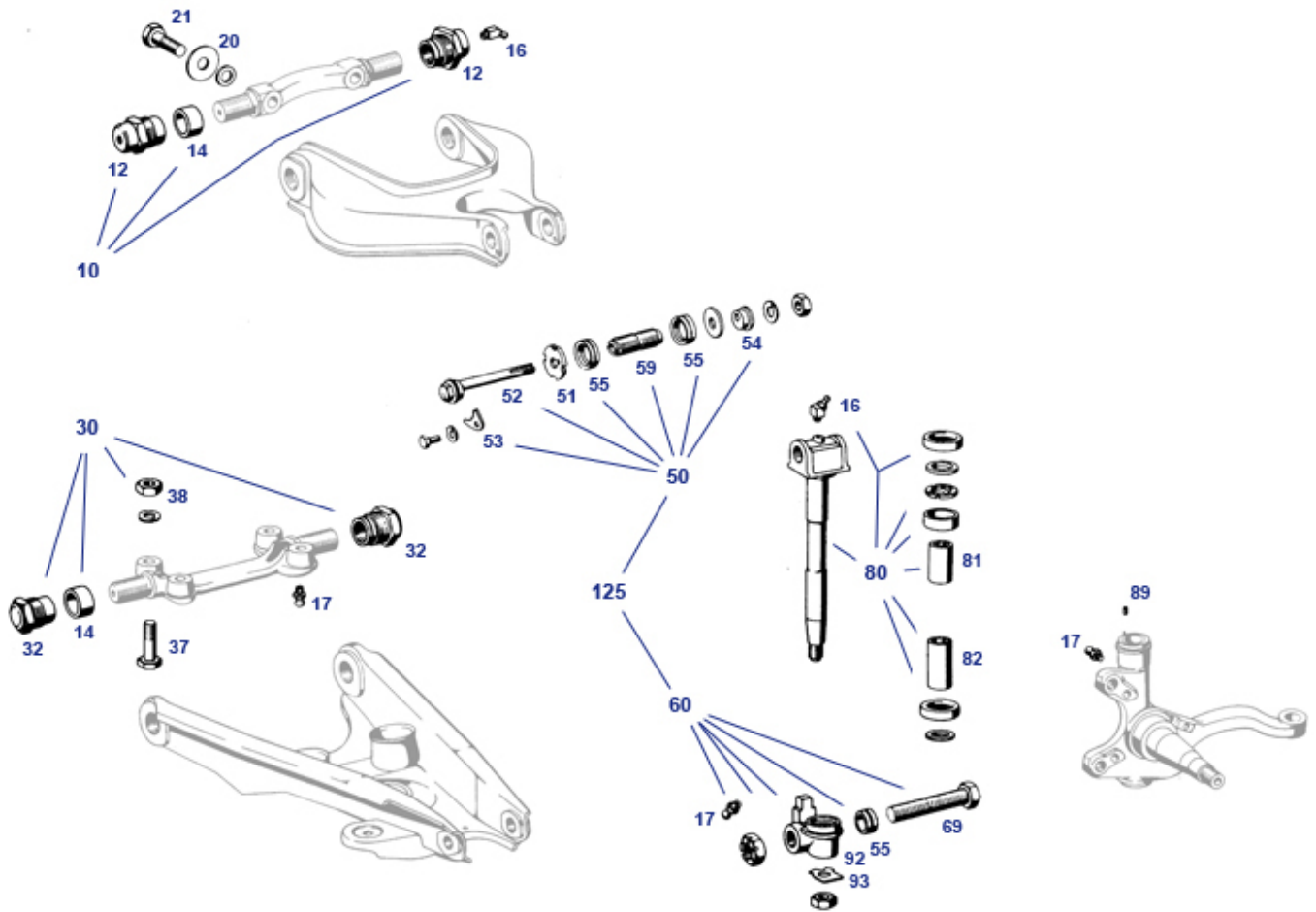
### 33.a Front Axle



Spring washer 14mm e.g. cam wheel	<a href="#">105028</a>	0,55 €	Bolt for Control Arm Mounting Pin	<a href="#">233044</a>	9,52 €
Cap for grease nipple, red	<a href="#">333048</a>	0,65 €	Cotter pin 2,0 x 25, e.g. tie rod nuts	<a href="#">299460</a>	0,12 €
Mount, coil spring 25mm, diam.problem	<a href="#">232813</a>	38,79 €	mount, coil spring 30mm	<a href="#">232814</a>	35,69 €
As long as stock lasts!: Rubber buffer ring	<a href="#">232979</a>	3,00 €	Lockung Nut M8, e.g. damper	<a href="#">299333</a>	0,76 €
Threaded bushing, 30.9mm, with groove	<a href="#">233036</a>	21,42 €	Threaded bushing, 29.9mm, no groove	<a href="#">233037</a>	21,42 €
M12 DIN 127 lock washer	<a href="#">233042</a>	0,39 €	Lock plate	<a href="#">233043</a>	2,58 €
hex nut M12 X 1,5 zinc plated class 10	<a href="#">233046</a>	1,58 €	Split pin 3x36	<a href="#">133059</a>	0,18 €
King pin security washer	<a href="#">233051</a>	3,21 €	Bush, king pin, lower=L45mm	<a href="#">233053</a>	14,28 €
galvanized Spring washer M8	<a href="#">233059</a>	0,21 €	Bolt, strut to frt axle,M16x80	<a href="#">233106</a>	2,56 €
Washer 15mm	<a href="#">233104</a>	0,76 €	Bolt 8x22, clutch plate	<a href="#">233064</a>	0,37 €
Spring washer M14	<a href="#">233103</a>	0,50 €	Spacing sleeve leaf spring frt	<a href="#">233098</a>	8,20 €
Screw W108 front cross member	<a href="#">233067</a>	0,43 €	Spacer	<a href="#">233097</a>	10,00 €
Buffer, rubber,subframe mount, B-quality	<a href="#">233760</a>	42,42 €	Shock absorber R/C107,114-5 front, KONI - Classic	<a href="#">732103</a>	210,00 €
pin 2,5 m6 X 6	<a href="#">233750</a>	0,31 €	Threaded bush, 29.9mm (no groove)	<a href="#">133038</a>	25,25 €
Bolt, king pin br. ot/lw	<a href="#">133032</a>	10,17 €	Sealing rings, Upper or lower	<a href="#">133041</a>	2,05 €
Grease nipple, M8, 45°, FEBI	<a href="#">133048</a>	0,57 €	King pin bearing ot/lw.	<a href="#">133031</a>	43,89 €
toothed washer, adjuster at upper ctrl arm	<a href="#">133023</a>	0,89 €	Threaded bushing	<a href="#">133018</a>	10,00 €
Spring washer	<a href="#">222005</a>	0,44 €	set steering rod with special screw and washers	<a href="#">246660</a>	38,08 €
Hexagonal nut 10 M8, galv. Verz.	<a href="#">990101</a>	0,15 €	Castle nut M10X1, thin shape, early joint	<a href="#">133706</a>	2,45 €
Washer at clamping nut, no inner pintle	<a href="#">233972</a>	27,97 €	Seal Ring, upper & lower	<a href="#">133015</a>	8,45 €

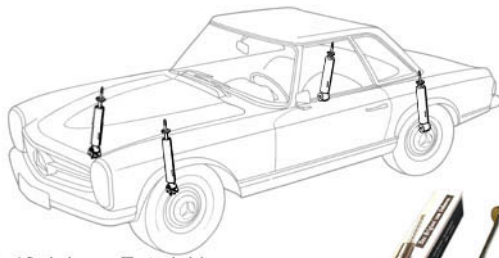
	Threaded bush, 30.9mm, with groove	<a href="#">133039</a>	25,29 €	50	Repair kit, control arm outer, lower+upper 1 side FEBI	<a href="#">133025</a>	80,50 €
50	Control arm rep. kit, upper outer, FEBI	<a href="#">133010</a>	47,67 €	60	Control arm rep. kit, lower outer, FEBI	<a href="#">133030</a>	61,17 €
80	King pin repair kit	<a href="#">233050</a>	79,79 €	84	Grease nippleFN	<a href="#">233048</a>	0,26 €
90	Rep kit wheel bearing from 06.'61, FEBI	<a href="#">233880</a>	39,88 €	101	Seal ring @ frt wheel bearings	<a href="#">142625</a>	8,88 €
102	Bearing retainer ring 06.61->, orig.	<a href="#">142600</a>	79,67 €	102	Bearing retainer ring 06.61 ->	<a href="#">142608</a>	23,75 €
103	Wheel bearing, inner, 06.61 -> 89, FAG	<a href="#">142680</a>	15,92 €	103	Wheel bearing, inner, 06.61 -> 89	<a href="#">142580</a>	7,14 €
104	Wheel bearing, outer	<a href="#">142630</a>	4,58 €	104	Wheel bearing, outer, FAG	<a href="#">142730</a>	25,26 €
106	Clamp nut   multiple cars from 1956-1985   A1203340772	<a href="#">233077</a>	32,53 €	107	hex.socket head cap screw M7X20 fits to 233077	<a href="#">233074</a>	0,92 €
107	hex. socket head cap screw 10.9 M6 X 20,	<a href="#">233076</a>	1,08 €	108	Contact	<a href="#">233078</a>	1,56 €
109	Cap, front wheel bearings 110-115, ..	<a href="#">233079</a>	7,96 €	109	Cap, front wheel bearings 110-115, ..B-quality	<a href="#">B233079</a>	5,30 €
111	locking plate, caliper frt '66-12'76	<a href="#">242008</a>	6,19 €	116	Rubber mounting, tie rod	<a href="#">298777</a>	5,31 €
121	Rubber bushing, orig quality	<a href="#">233096</a>	24,86 €	121	Rubber bushing, import quality	<a href="#">233896</a>	9,88 €
132	Buffer, rubber,subframe mount	<a href="#">233060</a>	96,52 €	133	Buffer plate, subframe upper mounts	<a href="#">233861</a>	35,14 €
134	stopper shim	<a href="#">233062</a>	13,99 €	135	hex.head screw M12 X 1,5 X 90, cross member	<a href="#">233063</a>	1,80 €
145	Front spring, lft or rgt,std.	<a href="#">232010</a>	124,95 €	146	Mount,coil spring, 20mm	<a href="#">232011</a>	57,37 €
146	Mount,coil spring, 25mm	<a href="#">232012</a>	57,37 €	146	Mount,coil spring, 30mm	<a href="#">232013</a>	57,37 €
146	Mount,coil spring, 27.5mm	<a href="#">832014</a>	57,37 €	146	Mount,coil spring, 22.5mm	<a href="#">332015</a>	57,37 €
147	Rubber buffer, lower ctrl arm	<a href="#">233066</a>	5,95 €	148	Rubber buffer, upper ctrl arm	<a href="#">233065</a>	9,76 €
150	Bushing kit, fits 22mm torsion bar (incl 20mm rbr)	<a href="#">233071</a>	95,63 €	150	Bushing kit, fits 20mm torsion bar (incl 18mm rbr)	<a href="#">233070</a>	86,06 €
152	Rubber 18mm for torsion bar 20mm	<a href="#">232050</a>	16,33 €	152	Rubber 20mm for torsion bar 22mm	<a href="#">232002</a>	18,75 €
155	Bolt,torsion bar/ swg.arm	<a href="#">232016</a>	8,56 €	156	Buffer,torsion bar/ swg.arm	<a href="#">232017</a>	10,20 €
157	A111323026702 Washer,torsion bar/ swg.a	<a href="#">232018</a>	3,57 €	157	screw M8	<a href="#">232026</a>	0,56 €
158	Spacer tube,torsion bar/ swg.arm	<a href="#">232019</a>	6,25 €	160	Sachs shock absorber W113 front, per piece	<a href="#">232112</a>	109,85 €
160	Shock absorber front W108-111, 113, KONI - Classic	<a href="#">232103</a>	164,90 €	160	Shock absorber, gas, Bilstein	<a href="#">232101</a>	284,40 €
191	Right Tie Rod end -"Febi"	<a href="#">233092</a>	7,25 €	191	Tie rod end, Lt. thread, brand MEYLE	<a href="#">233191</a>	8,60 €
191	Spurstangenkopf, Rechtsgewinde	<a href="#">233992</a>	10,98 €	191	Tie rod end	<a href="#">233991</a>	16,92 €
191	Tie rod end, Rt. thread, brand Meyle	<a href="#">233192</a>	8,60 €	191	Left Tie Rod end -"Febi"	<a href="#">233091</a>	7,25 €
192	Split pin 2,5 x 25, fits crown nuts seering linkage	<a href="#">133007</a>	0,24 €	232835	Washer upper shock mount	<a href="#">232835</a>	4,99 €
232879	Rubber buffer ring	<a href="#">232879</a>	3,24 €	232989	Hex nut M10 fine, e.g. shock-absorber	<a href="#">232989</a>	0,70 €

### 33.c separate items control arm bearing



12	Threaded bush, 29.9mm (no groove)	<a href="#">133038</a>	25,25 €	12	Threaded bush, 30.9mm, with groove	<a href="#">133039</a>	25,29 €
14	Sealing rings, Upper or lower	<a href="#">133041</a>	2,05 €	16	Cap for grease nipple, red	<a href="#">333048</a>	0,65 €
16	Grease nipple, M8, 45°, FEBI	<a href="#">133048</a>	0,57 €	17	Grease nippleFN	<a href="#">233048</a>	0,26 €
20	Lock plate	<a href="#">233043</a>	2,58 €	21	Bolt for Control Arm Mounting Pin	<a href="#">233044</a>	9,52 €
32	Threaded bushing, 30.9mm, with groove	<a href="#">233036</a>	21,42 €	32	Threaded bushing, 29.9mm, no groove	<a href="#">233037</a>	21,42 €
38	hex nut M12 X 1,5 zinc plated class 10	<a href="#">233046</a>	1,58 €	50	Control arm rep. kit, upper outer, FEBI	<a href="#">133010</a>	47,67 €
51	toothed washer, adjuster at upper ctrl arm	<a href="#">133023</a>	0,89 €	55	Seal Ring, upper & lower	<a href="#">133015</a>	8,45 €
59	Threaded bushing	<a href="#">133018</a>	10,00 €	69	Bolt, king pin br. ot/lw	<a href="#">133032</a>	10,17 €
80	King pin repair kit	<a href="#">233050</a>	79,79 €	82	Bush, king pin, lower=L45mm	<a href="#">233053</a>	14,28 €
89	pin 2,5 m6 X 6	<a href="#">233750</a>	0,31 €	93	Nut, strut to body	<a href="#">233102</a>	2,05 €

## 32 Info Bilstein Shock Absorbers



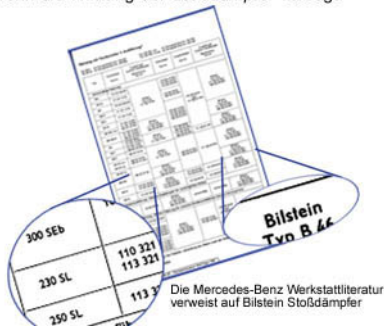
Bilstein ist seit mehr als 40 Jahren Entwicklungspartner in der Fahrwerkstechnik bei Mercedes-Benz und war auch für die 230-280SL Erstausrüster mit Gasdruckstoßdämpfern.



Gasdruckdämpfer von Bilstein haben einen hohen Qualitätsstandard und passen mit ihrer Abstimmung zum Fahrwerk Ihres SL.

Verschlossene, defekte, unpassende oder schlecht abgestimmte Stoßdämpfer sind keine Bagatelle:

Die konstruktionsbedingten Eckdaten Ihres SL (Gewicht, Radstand, Achsgeometrie) können zu "Bremsnicken", unberechenbar ausfedenden Hinterrädern in Kurvenfahrt und schlechtem Geradeauslauf führen, wenn die Wirkung der Stoßdämpfer versagt.



Bei allen Stoßdämpfern gibt es einen Ausgleichsraum für das veränderliche Volumen der eintauchenden Kolbenstange. Bei **Gasdruckdämpfern** ist dieser Raum zuverlässig abgedichtet und baut einen stetigen Gegendruck gegen den Ölraum auf. Dadurch wird Blasenbildung im Öl verhindert, die Dämpfung bleibt auch bei starker Beanspruchung und langem Einsatz erhalten.



Folgende Lieferumfänge sind erhältlich:

230/250/280SL Stoßdämpfer Bilstein Gasdruck je mit Montagematerial, mit Bilstein Herstellergarantie.

SLS Art. [232101](#) = 1 Stück einzeln für Vorderachse

SLS Art. [232111](#) = 1 Stück einzeln für Hinterachse

SLS Art. [232200](#) = 1 Fahrzeugsatz (beide Achsen)

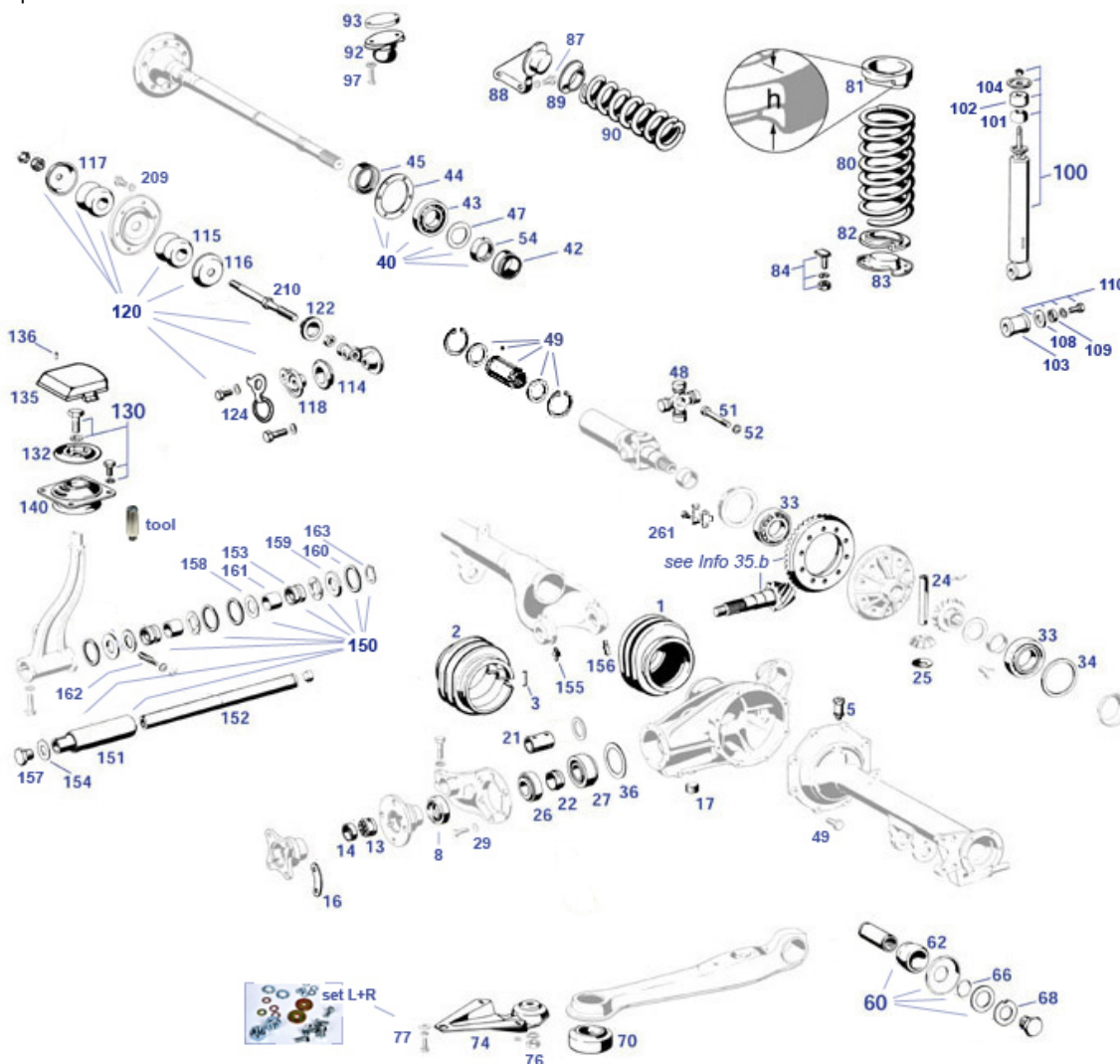
Auch erhältlich für viele weitere Mercedes-Benz Oldtimer !

others	Shock absorber rear, Bilstein Gas	<a href="#">132022</a>	314,99 €	others	Shock absorber front, Bilstein Gas	<a href="#">132111</a>	324,99 €
others	"Bilstein shocker W114-5 front "HD"	<a href="#">532101</a>	203,49 €	others	Bilstein shock absorber 114/5,rr, 'HD'	<a href="#">532111</a>	189,21 €
others	Bilstein shocker R/C107to 8.85	<a href="#">732101</a>	232,16 €	others	Bilstein shocker R/C107fr.9.85	<a href="#">732105</a>	208,25 €
others	Bilstein shocker R/C107 rear	<a href="#">732111</a>	236,20 €	others	Bilstein shocker 108/110-1 fr.	<a href="#">832101</a>	232,16 €
others	Bilstein shocker W109 fr.	<a href="#">832103</a>	209,90 €	others	Bilstein shocker 108/110-1 rr.	<a href="#">832111</a>	226,99 €
others	Bilstein-shocker W109 rr.	<a href="#">832113</a>	230,93 €		Sachs shock absorber W113 front, per piece	<a href="#">232112</a>	109,85 €
	Rubber buffer ring	<a href="#">232879</a>	3,24 €	232101	Shock absorber, gas, Bilstein	<a href="#">232101</a>	284,40 €

# 35, 40, 41 Rear Suspension, Wheels, Propeller Shaft

## 35.a Rear Suspension

35.a Rear Suspension

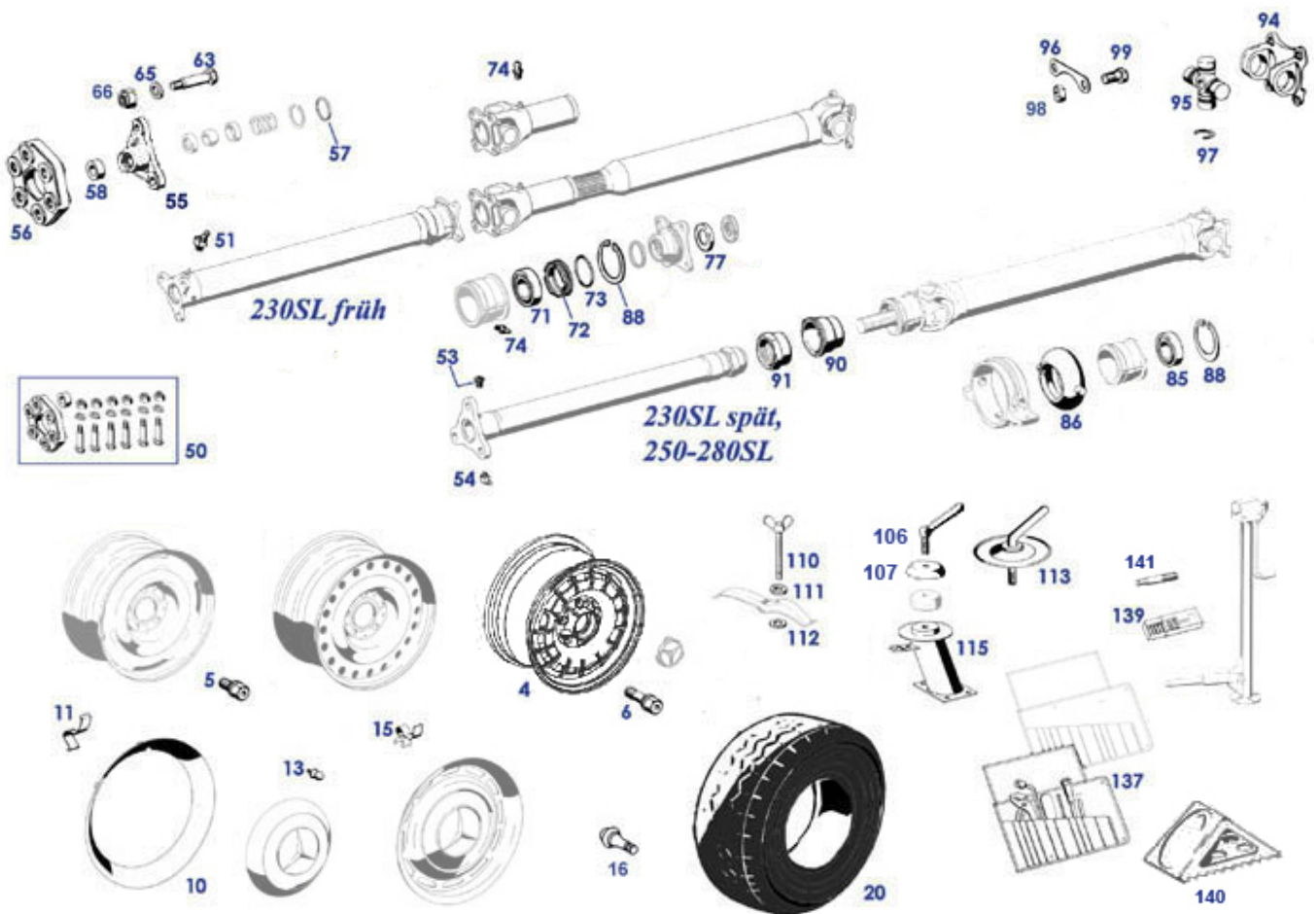


bush	universal breather for rear axle	<a href="#">235090</a>	16,71 €	retainer	see 235030	<a href="#">235830</a>	4,70 €
	Bolt connecting rod rear	<a href="#">235029</a>	16,05 €	bits	Hex bolt, damper-> rr axle	<a href="#">232988</a>	0,56 €
	As long as stock lasts!: Rubber buffer ring	<a href="#">232979</a>	3,00 €	retainer	Washer connecting rod -> axle	<a href="#">235030</a>	8,98 €
distancer	Ring connecting rod -> axle	<a href="#">235031</a>	2,98 €	bolt	Screw connecting rod -> axle	<a href="#">235053</a>	23,54 €
	Locking Nut, cross strut near axle	<a href="#">235227</a>	1,94 €		Sleeve, length 26.0mm (std), OD+0.4mm Rep.	<a href="#">235307</a>	51,38 €
	Cap,to235308	<a href="#">235309</a>	1,32 €	bits	Locking ring M10	<a href="#">299328</a>	0,38 €
	Rubber mount ring, struts to body on request: latch for cross strut NOS/used	<a href="#">235721</a> <a href="#">135223</a>	11,65 € 188,50 €		see 235013	<a href="#">235813</a>	5,00 €
	support balancer spring RH axle, ref.No. A1103202343	<a href="#">232804</a>	79,49 €	tool	Mounting aid upper centre rear mount	<a href="#">258353</a>	74,99 €
1	Swing axle sleeve, closed	<a href="#">135130</a>	29,99 €	1	Swing axle sleeve, closed, premium quality	<a href="#">135930</a>	49,43 €
2	Sw. Axle sleeve, open, rep., design differs to orig	<a href="#">135131</a>	41,45 €	2	Sw. Axle sleeve, open, repair, premium quality	<a href="#">135931</a>	80,92 €
3	Lock / winding clip for 9mm strap	<a href="#">109835</a>	2,84 €	3	Clamp for repair bellows	<a href="#">135832</a>	1,19 €
3	1m metal strip, 9mm clamp	<a href="#">109830</a>	3,09 €	8	Seal ring,input shaft   230-280SL..	<a href="#">235015</a>	12,98 €
13	Diff Pinion Grooved Nut   A1113500166	<a href="#">235714</a>	36,00 €	13	Set 3 pcs tools, fitting MB grooved nut	<a href="#">258260</a>	285,60 €
14	Washer Lock for Differential Flange Nut	<a href="#">235013</a>	7,44 €	16	Bolt, drive shaft	<a href="#">241049</a>	38,96 €
16	tabbed lock plate ,driveshaft	<a href="#">241014</a>	8,45 €	16	Nut, rear prop shaft fitting	<a href="#">241048</a>	0,92 €

16	Nut, rear prop shaft fitting	<a href="#">241848</a>	0,92 €	17	Plug screw M24 conical, no collar	<a href="#">114025</a>	8,98 €
21	spacer sleeve at diff., ref.-No A1103530242	<a href="#">235817</a>	14,88 €	22	spacer sleeve, pinion shafts from '67, D32xL16, FEBI	<a href="#">235809</a>	4,93 €
24	Pin,diff. gear 250-280SL	<a href="#">235159</a>	124,43 €	24	Pin, differential	<a href="#">135159</a>	148,99 €
26	Bearing, pinion wheel shaft up to '67	<a href="#">235816</a>	22,51 €	26	Bearing, pinion wheel shaft from '68, front	<a href="#">235011</a>	24,35 €
27	bearing, outer shell only	<a href="#">235119</a>	24,16 €	27	Reel taper bearing	<a href="#">235118</a>	72,00 €
29	hex head screw M8 X 20, 10.9 e.g. diff. front, ref.-No.	<a href="#">235037</a>	0,99 €	33	Rear axle inner bearing	<a href="#">135070</a>	30,12 €
33	Differential Bearing	<a href="#">235039</a>	44,85 €	34	Distance washer 2.0mm, LH differential bearing	<a href="#">235145</a>	16,66 €
34	Distance washer 2.2mm, LH differential bearing	<a href="#">235147</a>	20,23 €	34	Distance washer 1.8, LH differential bearing	<a href="#">235143</a>	19,04 €
36	Distance washer 1.5mm at late pinion bearing	<a href="#">235150</a>	11,90 €	40	Axle shaft brg./seal kit lft., FEBI	<a href="#">233085</a>	29,93 €
42	Inner seal ring, axle shaft   W108,111,113,110	<a href="#">242114</a>	5,53 €	43	Rear axle ball-bearing	<a href="#">235005</a>	22,88 €
43	Rear axle roller bearing, RT, (drum shape rollers)	<a href="#">135858</a>	67,38 €	44	Paper gasket, axle types from W110	<a href="#">242113</a>	6,66 €
44	Screw, backplate to axle, 250-280SL	<a href="#">242117</a>	39,98 €	44	screw for brake axis 230 SL	<a href="#">242116</a>	33,44 €
44	Paper gasket, axle types from W110	<a href="#">242813</a>	4,11 €	45	Seal ring, outer,front axle   Gen. 110 (113,108)	<a href="#">242115</a>	5,66 €
47	Rear axle lock plate	<a href="#">235006</a>	9,82 €	48	Locking ring 2.35mm @ joint cross bushg	<a href="#">235059</a>	46,58 €
49	Bearing Sleeve with mounting bits, tested repro	<a href="#">235770</a>	999,99 €	49	Hex head bolt M10 x 22, LH axle to diff. ref.-No. N000933010164	<a href="#">235038</a>	0,52 €
51	Bolt, universal joint 230SL (L70)	<a href="#">235231</a>	2,25 €	52	Spring washer, u/j bolt	<a href="#">235303</a>	0,42 €
54	Axle shaft grooved nut	<a href="#">135057</a>	11,29 €	54	Tool for special nut rr axle shafts	<a href="#">258350</a>	49,98 €
62	Rubber, rear trailarm to axle, 75°sh	<a href="#">235833</a>	5,41 €	62	Rubber, rear trailarm to axle, 65...70°sh	<a href="#">235733</a>	3,61 €
66	Ring, spacing,inj. Pump	<a href="#">235034</a>	1,64 €	68	Tab washer, trailing arm	<a href="#">235032</a>	5,30 €
70	Rubber mount ring, struts to body	<a href="#">235821</a>	10,35 €	70	Rubber mount Suspension strut mounting ring	<a href="#">235021</a>	13,11 €
70	Mounting aid front thrust bearing	<a href="#">258351</a>	69,02 €	76	Spring washer M14	<a href="#">233103</a>	0,50 €
76	Nut, strut to body	<a href="#">233102</a>	2,05 €	77	Shim, Exh/Tank support	<a href="#">298776</a>	2,83 €
80	Spring, rear 230-280SL, Aftermarket	<a href="#">232020</a>	109,99 €	80	Coil spring, SL113 rear L or R, brand Eibach	<a href="#">232820</a>	82,85 €
81	rubber rear spring 30mm	<a href="#">232923</a>	38,79 €	81	Ring, rubber,upper, 24mm, rear	<a href="#">232022</a>	33,50 €
81	rubber rear spring 20mm	<a href="#">232821</a>	32,45 €	82	rubber underlay rear spring	<a href="#">232828</a>	8,22 €
82	Rubber ring rr spring lower	<a href="#">232028</a>	8,46 €	84	Square head bolt, coil spring support	<a href="#">232061</a>	10,21 €
88	Support, compensating spring, overhaule	<a href="#">232004</a>	74,49 €	89	Rubber-ring compensating spring	<a href="#">232005</a>	6,49 €
90	Compensating spring, 11.9mm	<a href="#">232006</a>	83,35 €	92	Rubber buffer, rr axle	<a href="#">232008</a>	41,39 €
93	Distancer, buffer to frame, Aluminum	<a href="#">232109</a>	72,00 €	93	Buffer distancer, repro	<a href="#">232209</a>	26,00 €
97	Bolt M8 V8 early cross pipe frt exhaust	<a href="#">749348</a>	0,64 €	100	Shock absorber, gas, Bilstein	<a href="#">232111</a>	288,99 €
100	Shock absorber rear W108-111, 113, KONI - Classic	<a href="#">232113</a>	169,99 €	100	Sachs shock absorber W113 rear, per piece	<a href="#">232110</a>	136,49 €
101	Rubber buffer ring	<a href="#">232879</a>	3,24 €	101	Rubber shock->body frt	<a href="#">132028</a>	5,75 €
102	Rubber ring, top	<a href="#">132027</a>	2,82 €	104	Hex nut M10 fine, e.g. shock-absorber	<a href="#">232989</a>	0,70 €
104	Washer upper shock mount	<a href="#">232835</a>	4,99 €	104	Washer upper shock mount	<a href="#">232035</a>	4,75 €
108	Shaped Shim for Lower Rear Shock Mount	<a href="#">235328</a>	5,55 €	109	Stepped Shim for Rear Shock Mount	<a href="#">235329</a>	5,83 €
114	Rubber mount rear axle support strut   A1113510448	<a href="#">235023</a>	36,53 €	115	Outer Rubber Mount for Differential Mount strut	<a href="#">235024</a>	8,09 €
116	Cup, rear axle cross strut, inner	<a href="#">235028</a>	21,63 €	117	Cup, rear axle cross strut, outer boot,cross strut	<a href="#">235027</a>	21,63 €
118	A1113510240 cup, rear half	<a href="#">135224</a>	199,99 €	122	hex head screw M10 X 20, 10.9 zinc plated	<a href="#">235004</a>	5,55 €
124	Set locking shim + O-ring, brake wire R	<a href="#">242844</a>	45,99 €	124	cover rear cross member, above axle mount	<a href="#">235315</a>	1,40 €
134	Bolt, rr axle top	<a href="#">235319</a>	6,68 €	135	Rubber mount rear axle, center upper joint	<a href="#">269832</a>	31,90 €
136	Rivet,for cover in boot	<a href="#">269034</a>	0,35 €	140	Rubber bushing, rr axle bolt, Repro	<a href="#">235020</a>	148,71 €
140	Rear subframe mount rubber, made in Germany	<a href="#">235920</a>	274,12 €	151	Rubber bushing, rr axle bolt, Repro	<a href="#">235712</a>	93,19 €
151	Rubber bushing, axle joint, German Repro	<a href="#">235012</a>	139,99 €	152	Pin, rear axle center joint from W110 on	<a href="#">235708</a>	114,89 €

153	Small rep kit rr axle center joint	<a href="#">235282</a>	375,61 €	153	Rear axle tube bushing	<a href="#">235050</a>	29,63 €
154	Lock washer	<a href="#">235301</a>	2,59 €	155	Grease nipple, 45°, M6	<a href="#">235047</a>	0,50 €
155	Cap for grease nipple, red	<a href="#">333048</a>	0,65 €	156	Grease nipple, M6	<a href="#">235048</a>	0,95 €
157	Hex Bolt on Differential Mounting Strut	<a href="#">235324</a>	18,55 €	158	Shim, 2.4mm thick, repair size	<a href="#">235718</a>	17,50 €
158	Shim, 2.0mm thick, standard size	<a href="#">235306</a>	17,85 €	158	Shim, 2.2mm thick, repair size	<a href="#">235716</a>	23,42 €
159	Shim at ctr bolt rr axle joint	<a href="#">235305</a>	15,71 €	159	Shim at ctr bolt rr axle joint	<a href="#">235705</a>	10,00 €
160	Rubber ring, swing link	<a href="#">235304</a>	3,50 €	161	Sleeve, length 26.0mm (std)	<a href="#">235807</a>	47,30 €
161	Sleeve, length 25.6mm	<a href="#">235656</a>	46,79 €	162	Cotter Pin for Rear Diff Mounting Strut	<a href="#">235810</a>	17,48 €
163	Locking ring	<a href="#">235322</a>	3,09 €	209	galvanized Spring washer M8	<a href="#">233059</a>	0,21 €
209	Bolt 8x22, clutch plate	<a href="#">233064</a>	0,37 €	210	Cross Strut for the Rear Axle W113 -220mm	<a href="#">235722</a>	82,11 €
261	locking plate bearing adjuster in diff	<a href="#">135079</a>	3,69 €	261	Locking, simplified, Repro, nose outer position	<a href="#">135608</a>	6,68 €
261	Locking, simplified, Repro, nose outer position	<a href="#">135607</a>	6,68 €	261	Locking, simplified, Repro, nose ctre position	<a href="#">135606</a>	6,68 €

## 40 Wheels and Propeller Shaft



	Joint disc, 90mm bolt circle	<a href="#">241801</a>	55,93 €		Self locking nut M12 X 1,5	<a href="#">733113</a>	1,93 €
	wheel bolt-set, 20pcs. M12X1,5 X25 cone hub	<a href="#">740801</a>	30,39 €		locking ring at drive shaft early	<a href="#">241862</a>	8,20 €
	Nut, flat style, zined, pedals,kardan.	<a href="#">129073</a>	1,49 €		pls see version 740702	<a href="#">740701</a>	184,45 €
	wheel mounting aid, aluminium, 130mm, M12 X 1,5	<a href="#">740213</a>	14,25 €		hex nut M12 fine, locking, flat shape	<a href="#">741048</a>	0,57 €
	Nut, square, M8, e.g. drive shaft hanger	<a href="#">990998</a>	0,96 €	2	weight 100g old style, fits clamp 240007	<a href="#">240400</a>	1,01 €
2	weight 40g old style, fits clamp 240007	<a href="#">240340</a>	1,01 €	2	steel rim 6 x 14, reproduction	<a href="#">240803</a>	220,15 €



2	weight 50g old style, fits clamp 240007	<a href="#">240350</a>	1,01 €	2	weight 80g old style, fits clamp 240007	<a href="#">240380</a>	1,01 €
2	weight 90g old style, fits clamp 240007	<a href="#">240390</a>	1,01 €	2	weight 120g old style, fits clamp 240007	<a href="#">240420</a>	1,01 €
2	weight 60g old style, fits clamp 240007	<a href="#">240360</a>	1,01 €	2	weight 110g old style, fits clamp 240007	<a href="#">240410</a>	1,01 €
2	Clip, balancer weights	<a href="#">240007</a>	0,60 €	4	Alloy rim Maxilite "Barock" 6x14 ET 30	<a href="#">240808</a>	196,35 €
4	Wheel, alloy,6.5x14 "Baroque" ET30   incl. ABE approval	<a href="#">740702</a>	124,95 €	5	Wheel bolt, steel wheels MB from 1967	<a href="#">240005</a>	1,59 €
6	Wheel bolt+cap,alloy whl.to 85	<a href="#">740005</a>	1,90 €	10	Wheel rim trim, 14", chromed mild steel	<a href="#">240110</a>	114,76 €
10	Ornamental ring 14", chromed	<a href="#">240810</a>	65,45 €	10	"Decorative ring,stainless.14"	<a href="#">240013</a>	47,01 €
11	Spring clip, fits orig. 14" wheel decoration ring	<a href="#">240020</a>	2,88 €	15	spring clip for wheel cover 14" 1968->	<a href="#">240041</a>	3,13 €
16	valve cap, black	<a href="#">740035</a>	0,07 €	16	Valve, tyre, metal, fits Fuchs-Baroque	<a href="#">240033</a>	95,08 €
20	Tire Michelin 185R14 90H TL 25mm   whitewall	<a href="#">240039</a>	399,90 €	20	Michelin tyre, 20mm whitewall	<a href="#">240031</a>	429,59 €
20	Michelin tyre, orig. dimens. 185 R14 90H	<a href="#">240030</a>	275,66 €	20	Vinyl covering, spare tyre (horiz-lev)	<a href="#">289889</a>	221,99 €
50	Hardy Rep-set 90mm,look for 24180	<a href="#">241000</a>	201,11 €	51	A1229970087 Valve, pressure release	<a href="#">241024</a>	8,39 €
54	Grease nipple, 45°, M6	<a href="#">235047</a>	0,50 €	55	Centering cross, pitch circle 90,   inner diameter:28,6	<a href="#">141030</a>	102,99 €
56	Joint disc, 90mm bolt circle	<a href="#">241001</a>	71,25 €	57	O' ring, star-flange to prop shaft	<a href="#">241013</a>	1,32 €
58	rubber as per A1204110060 64, please adjust thickness	<a href="#">241807</a>	10,00 €	62	retaining ring for bores 30 X 1,2	<a href="#">241021</a>	0,46 €
63	Bolt, Gear->Hardy90, 190'56->, 230SL	<a href="#">141013</a>	17,73 €	63	Stud bolt, flex disc to prop shaft	<a href="#">141012</a>	15,35 €
65	Washer, prop disc late (d90)	<a href="#">141008</a>	5,55 €	66	lock nut full metal M12 X 1,5 flat type	<a href="#">241113</a>	0,77 €
71	Ball bearing, ctr support prop shaft	<a href="#">141015</a>	9,22 €	72	A1104130051 Spacer ring,driveshaft	<a href="#">241056</a>	34,50 €
74	Grease nipple, M6	<a href="#">235048</a>	0,95 €	77	A1119940043 Lock washer	<a href="#">241062</a>	8,32 €
85	Ball bearing, e.g. prop shaft	<a href="#">241015</a>	10,07 €	86	Bush,rubber,p.scentre bearing	<a href="#">141018</a>	18,65 €
87	galvanized Spring washer M8	<a href="#">233059</a>	0,21 €	87	Bolt 8x22, clutch plate	<a href="#">233064</a>	0,37 €
88	Locking ring, prop shaft bearing, ref.-No. N000472055000	<a href="#">241023</a>	2,80 €	90	Grommet, prop shaft length joint	<a href="#">241812</a>	7,95 €
91	Nut, prop shaft, near ctr. slip joint	<a href="#">741811</a>	32,14 €	95	Cross bearing assy"28", 57->67, grease channel	<a href="#">141822</a>	155,35 €
95	Cross bearing assy"28", 57->67, no grease channel	<a href="#">141022</a>	309,00 €	95	Prop shaft cross FN, 24mm Bushes	<a href="#">241009</a>	9,63 €
96	tabbed lock plate ,driveshaft	<a href="#">241014</a>	8,45 €	98	Nut, rear prop shaft fitting	<a href="#">241048</a>	0,92 €
98	Nut, rear prop shaft fitting	<a href="#">241848</a>	0,92 €	99	Bolt, drive shaft	<a href="#">241049</a>	38,96 €
106	N/A: Cone handle screw, horiz.spare tyre	<a href="#">240818</a>	100,00 €	107	Plate, spare tyre screw	<a href="#">240819</a>	69,62 €
110	Wing screw 230SL FN	<a href="#">240006</a>	42,53 €	111	A3269900740 Washer, wing screw	<a href="#">240009</a>	16,54 €
113	A1158900014 Screwplate with offset lev	<a href="#">240014</a>	240,00 €	115	Washer 6.4 large, yellow zined	<a href="#">299276</a>	0,18 €
115	Spare wheel holder	<a href="#">240015</a>	463,60 €	115	Spring washer, fits M6	<a href="#">181028</a>	0,18 €
115	Screw M6x18 e.g. Filter box 190SL,bonnets, ..	<a href="#">109024</a>	0,38 €	137	Tool bag without tools	<a href="#">258806</a>	48,79 €
137	Wheel nut wrench, orig, latest version	<a href="#">259101</a>	23,50 €	140	Safety wedge f.tyre service	<a href="#">258110</a>	286,20 €
141	Mounting bolt for tyre service, chromed	<a href="#">259809</a>	49,24 €	141	wheel mounting aid, aluminium, 100mm, M12 X 1,5	<a href="#">740210</a>	12,95 €




## 35.b Info Axle Ratio




35.b Info Axle Ratio




**Infotabelle: Hinterachs-Übersetzungen für die Pagode**

SLS 2011

Achsgehäuse Zahnradsatz Übersetzung Drehzahl bei Einsatz für Länder "Standard" Einsatz USA  
 Nummer (Kegel : Teilerrad) 100Kmh, (in Gang) (Europa, ...)

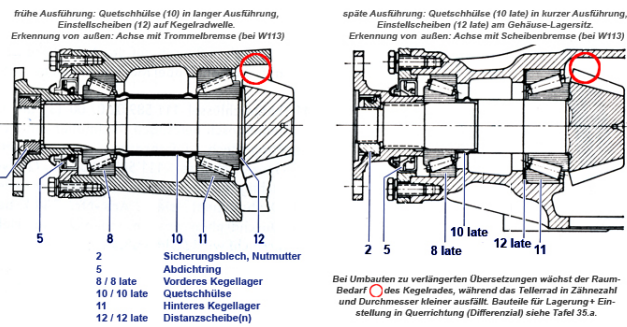
					
R113	113 350 0139	1 : 3,75	ca. 3190 (4)	230SL 4-Gg.oder Autm.SERIE	
Trommel-Brems-Hinterachse	111 350 0739	1 : 4,08	ca. 3475 (4) ca. 2950 (5)	230SL Sonderausst. 5-Gang	230SL 4-Gg.oder Autm.SERIE
	SLS 235106	1 : 3,28	ca. 2760 (4)	nachträgliche Umrüstung, Fachbetrieb	

					
R113 Scheiben-Brems-Hinterachse	108 350 0039	1 : 4,08	ca. 3475 (4) ca. 2950 (5)	250SL 250SL Sonderausst. 5-Gang 280SL SA 5-Gang ->11.69	250SL 280SL USA-SERIE ->07.69
	111 350 0839	1 : 3,92	ca. 3340 (4)	250SL 4-Gang oder Autm. SERIE 280SL 4-Gg./Autm.->11.67 SERIE 280SL 4-Gg./Autm.11.67-> mit SA 10658 "kurze Übersetzung" 280SL SA 5-Gang 11.69->	280SL 4-Gg.oder Autm. USA-SERIE 07.69->
	112 350 0939	1 : 3,69	ca. 3140 (4)	250SL 4-Gg./Autm.SA"lange Übers." 280SL 4-Gg./Autm.->11.67 mit SA 10659 "lange Übersetzung" 280SL 4-Gg./Autm.11.67-> SERIE	
	SLS 235105	1 : 3,28	ca. 2760 (4)	nachträgliche Umrüstung, Fachbetrieb	

				
Beispiel W108/109"V8"	108 350 0339	1 : 3.46	ca. 2950	z.B. 280/300SE/L 3.5
	109 350 0339	1 : 3.27	ca. 2780	z.B. 280/300SE/L 4.5
längere Übers.	109 350 0239	1 : 2.82	ca. 2440	300SE/L 6.3

Drehzahlangaben: gerundet, aus Quelle MB-WHB oder Umrechnungstabellen. Realwerte weichen ab aufgrund Raddimension, Reifenform, Schlupf (Autm.), Drehzahl-Messmethode

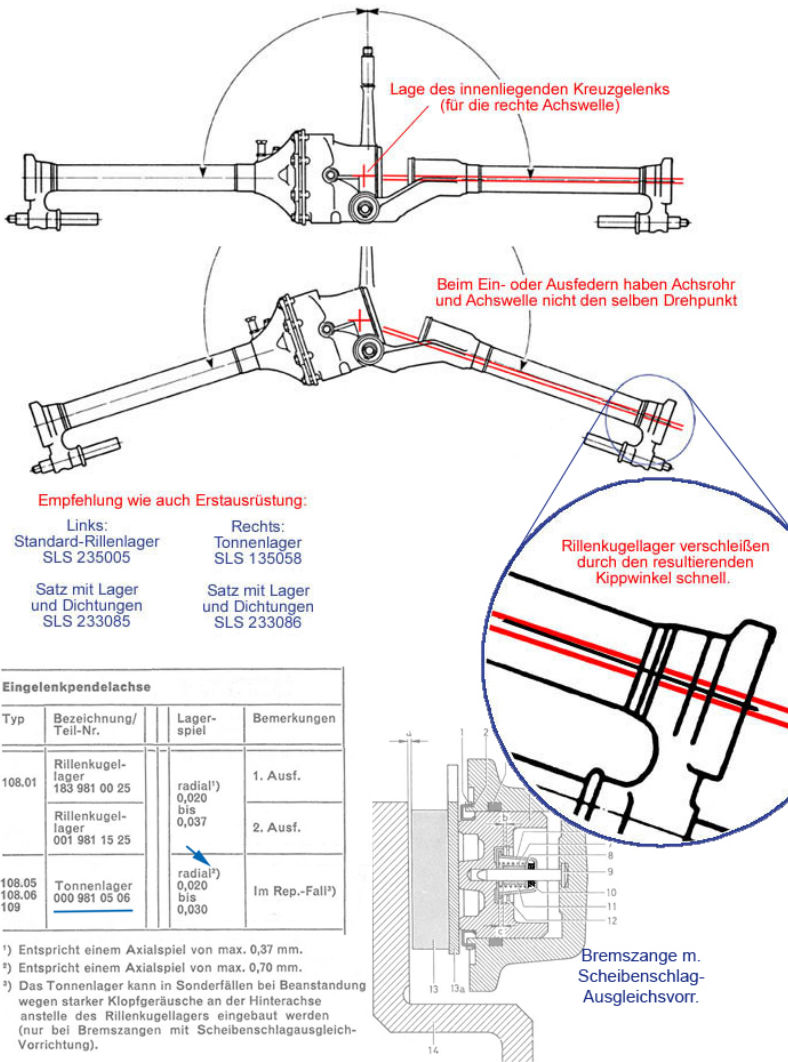
**Kegelrad Lagerung**



2	Diff Pinion Grooved Nut   A1113500166	<a href="#">235714</a>	36,00 €	2	Washer Lock for Differential Flange Nut	<a href="#">235013</a>	7,44 €
2	see 235013	<a href="#">235813</a>	5,00 €	5	Seal ring,input shaft   230-280SL..	<a href="#">235015</a>	12,98 €
8 late	Bearing, pinion wheel shaft from '68, front	<a href="#">235011</a>	24,35 €	8	Bearing, pinion wheel shaft up to '67	<a href="#">235816</a>	22,51 €
11	Bearing, pinionshaft, rear	<a href="#">235818</a>	35,33 €	12 late	Distance washer 1.5mm at late pinion bearing	<a href="#">235150</a>	11,90 €
12 late	Distance washer 1.6mm at late pinion bearing	<a href="#">235152</a>	16,66 €	12 late	Distance washer 1.8mm at late pinion bearing	<a href="#">235156</a>	16,66 €

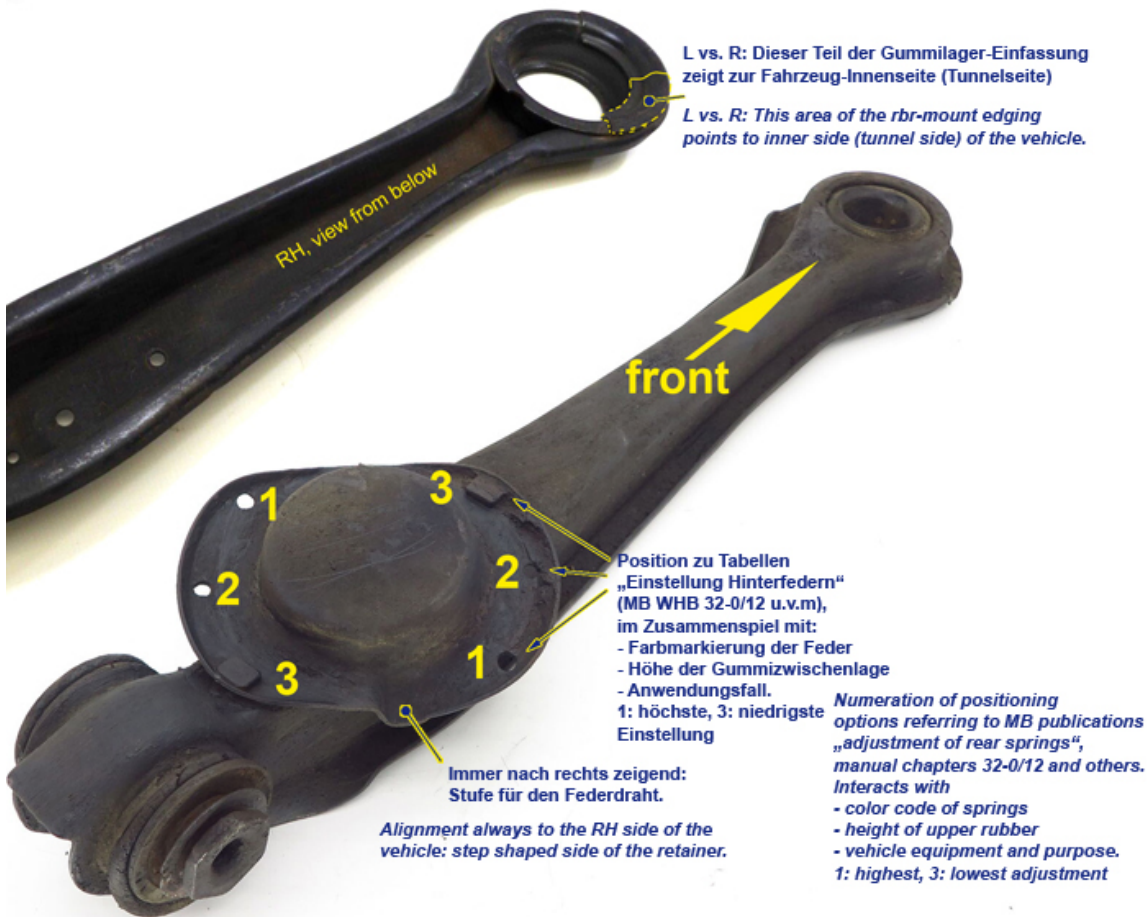
**35.c Info Axle Bearing rear**

35.c Info Axle Bearing rear



135058 Rear axle roller bearing, RT, (drum [135858](#) 67,38 € 233085 Axle shaft brg./seal kit lft., FEBI [233085](#) 29,93 €  
shape rollers)

### 35.d Info rear spring retainer and trailing arm



In der Aftermarket-Realität kann nicht mehr davon ausgegangen werden, dass per Vorauswahl (den Federn-Kennzeichnungen und den MB-Tabellenbüchern folgend) eine exakte Vorbestimmung des Achsniveaus möglich und zur Wunschvorgabe passend ist. Leider ist von mehrfach-Versuchen bis zum Erreichen der Wunsch-Fahrzeughöhe auszugehen. Als veraltet gelten Stoßdämpfer ohne Vordruck, Diagonalreifen und Positiv-Radsturz und die damit einhergehenden Fahreigenschaften. Geringfügige oder unumgängliche Modernisierungen werden vom TÜV nicht beanstandet.

Rubber ring rr spring lower	<a href="#">232028</a>	8,46 €	Square head bolt, coil spring support	<a href="#">232061</a>	10,21 €
rubber underlay rear spring	<a href="#">232828</a>	8,22 €	Rubber mount Suspension strut mounting ring	<a href="#">235021</a>	13,11 €
Bolt connecting rod rear	<a href="#">235029</a>	16,05 €	Washer connecting rod -> axle	<a href="#">235030</a>	8,98 €
Ring connecting rod -> axle	<a href="#">235031</a>	2,98 €	Tab washer, trailing arm	<a href="#">235032</a>	5,30 €
Ring, spacing, inj. Pump	<a href="#">235034</a>	1,64 €	Screw connecting rod -> axle	<a href="#">235053</a>	23,54 €
Rubber, rear trailarm to axle, 65...70°sh	<a href="#">235733</a>	3,61 €	Rubber mount ring, struts to body	<a href="#">235821</a>	10,35 €
Rubber, rear trailarm to axle, 75°sh	<a href="#">235833</a>	5,41 €	Mounting aid front thrust bearing	<a href="#">258351</a>	69,02 €

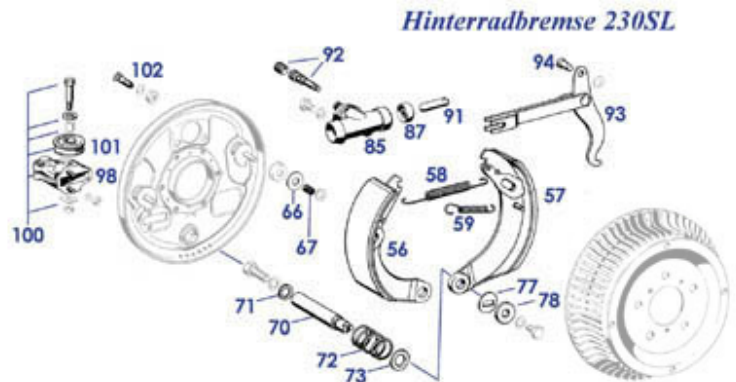
## 42 Brakes

### 42.a Brake (Wheels)

#### 42.a Brake (Wheels)



weitere Teile siehe Bildtafel „42.b Girling Bremse“  
more parts see group table „42.b Girling brake“



	Rubber grommet, brake rear lt late	<a href="#">242837</a>	9,31 €		Repair kit Caliper   W113 & R107 > 12.1972	<a href="#">242715</a>	79,99 €
	Rubber grommet brake rear rt late	<a href="#">242838</a>	9,31 €		Lock spring washer eg brake wires	<a href="#">242043</a>	2,05 €
12	locking plate, caliper frt '66-12'76	<a href="#">242008</a>	6,19 €	13	Bolt, ATE caliper	<a href="#">242012</a>	8,97 €
25	Set brake pads frt. calipers '65-'72,ATE	<a href="#">242030</a>	31,12 €	26	Cover plate , 230SL lt., FN	<a href="#">242211</a>	203,00 €
26	Cover plate frt.LH from 250S/SE/SL	<a href="#">242210</a>	89,25 €	26	hex nut M12 X 1,5 zinc plated class 10	<a href="#">233046</a>	1,58 €
26	Cover plate frt.RH from 250S/SE/SL	<a href="#">242220</a>	89,25 €	26	Cover plate , 230SL rt., FN	<a href="#">242221</a>	203,00 €
30	Fitting kit, brake pads	<a href="#">242081</a>	9,41 €	31	Set of Brake pads front Girling, 230SL** 220SEb**	<a href="#">242831</a>	39,60 €
31	Set of Brake pads front Girling, 230SL** 220SEb**	<a href="#">242031</a>	45,77 €	31	set of brake pads TEXTAR	<a href="#">242731</a>	24,98 €
35	Brake caliper, Rt. 108-113, 115,	<a href="#">242820</a>	113,50 €	35	Brake caliper, Lt. 108-113, 115, ATE	<a href="#">242010</a>	476,00 €
35	Brake caliper, Lt. 108-113, 115,	<a href="#">242810</a>	113,50 €	35	Brake caliper, Rt. 108-113, 115, ATE	<a href="#">242020</a>	503,47 €
38	cover brake pad slot	<a href="#">242083</a>	18,74 €	40	Brake caliper seal kit, 66-72	<a href="#">242815</a>	20,68 €
40	Brake caliper seal kit, fits ATE 66-72	<a href="#">242015</a>	47,60 €	45	Bleeder valve M8 e.g. ATE early	<a href="#">242000</a>	5,57 €
45	Valve, brake cyl bleeder	<a href="#">242001</a>	6,72 €	46	hex. socket head cap screw M6X30 zinc plated	<a href="#">299052</a>	0,34 €
46	A1084200028 Brake pipe, Lt.	<a href="#">242003</a>	205,99 €	46	A1084200128 Brake pipe, Rt.	<a href="#">242002</a>	205,99 €
46	spring lock washer for cheese head screws 6mm, zinc plated	<a href="#">199096</a>	0,08 €	46	hex. socket head cap screw M6X18, zinc plated	<a href="#">299053</a>	0,22 €
56	Set late brake shoes 65mm 4pce	<a href="#">142086</a>	305,00 €	57	Set early brake shoes 65mm 4pce	<a href="#">142085</a>	305,00 €

58	(exchange) Spring, fitting190SL from 024160 L/R, +230SL	<a href="#">142810</a>	12,25 €	59	(exchange) Return spring, brake lever, fits L/R	<a href="#">142820</a>	4,61 €
72	Coil spring @ brake rear, e.g. 230SL ..	<a href="#">242862</a>	8,10 €	73	Washer rr brake, betw.spring and shoes	<a href="#">142909</a>	3,15 €
77	shim, brake, rectangular hole, 1.0mm	<a href="#">142410</a>	6,55 €	78	Washer, rr brake	<a href="#">142911</a>	15,46 €
85	Wheel cylinder rr. 19,05mm ATE 230SL	<a href="#">242070</a>	98,81 €	87	A0004211587 Protect cap,brake cyl	<a href="#">242073</a>	3,57 €
91	Push rod, 1 pce, rr wheel cyl.	<a href="#">242072</a>	11,39 €	92	Bleeder valve (M10 fine), 190brake, Steerg(Pws)	<a href="#">142003</a>	3,94 €
92	Bleeder valve cap, brake, steering	<a href="#">143041</a>	2,62 €	93	Handbrake lever, Rt.	<a href="#">142043</a>	258,65 €
98	Cable spool housing OE-NOS, L or R	<a href="#">242145</a>	59,50 €	98	Bolt M6 at rope roll	<a href="#">142156</a>	0,75 €
98	Cable spool housing Repro, fits L or R	<a href="#">242845</a>	51,40 €	100	Repr. kit,h`brake cable guide	<a href="#">242150</a>	46,56 €
101	Handbrake cable roller	<a href="#">242149</a>	95,37 €	102	screw for brake axis 230 SL	<a href="#">242116</a>	33,44 €
110	Satz Bremsbeläge hinten TEXTAR	<a href="#">242888</a>	34,90 €	110	Set of ATE rear brake pads 1965-1972   W113-108	<a href="#">242088</a>	26,55 €
111	ATE Accessory kit for rear brake pads	<a href="#">242082</a>	7,20 €	112	rr brake cover plate ,Lt. or Rt.	<a href="#">242840</a>	72,32 €
115	Brake Caliper rear LH 250 - 280SL (S/SE: FN) Budweg	<a href="#">242821</a>	275,00 €	115	Brake Caliper rear LH 250 - 280SL (S/SE: FN)	<a href="#">242021</a>	501,44 €
115	Brake Caliper rear RH 250 - 280SL (S/SE: FN)	<a href="#">242022</a>	455,87 €	115	Brake Caliper rear RH 250 - 280SL (S/SE: FN) Budweg	<a href="#">242822</a>	275,00 €
116	Plate , brake, with nuts	<a href="#">242029</a>	32,49 €	117	Locking plate ,caliper	<a href="#">242036</a>	3,92 €
118	Bleeder screw, rear calipers, M7	<a href="#">242011</a>	1,80 €	120	Spring @ brake shoe	<a href="#">842193</a>	0,33 €
120	Brake shoes and fitment parts, ATE	<a href="#">242200</a>	32,40 €	120	Brake shoes and fitment parts, FEBI	<a href="#">242700</a>	17,11 €
122	link, fits new brake rope eye	<a href="#">242855</a>	10,65 €	128	Screw, backplate to axle, 250-280SL	<a href="#">242117</a>	39,98 €
130	Repair-kit for rear brake caliper   250-280SL/SE/L	<a href="#">242025</a>	39,82 €	130	Repr. kit, caliper Budweg	<a href="#">242825</a>	14,83 €
131	Piston 42mm for caliper with no stagger-compensation	<a href="#">242126</a>	46,99 €	131	Piston for ATE caliper "42"   A0004232983	<a href="#">242026</a>	45,90 €
133	hex. head screw, ref.-No. N000960012043	<a href="#">242023</a>	1,59 €	139	Hexagonal nut 10 M8, galv. Verz.	<a href="#">990101</a>	0,15 €

## 42.b Girling brake-caliper

42.b Girling brake-caliper

**„Girling“  
3-Kolben-Bremssattel,  
230SL früh (bis FG ...016643)**



Da nicht mehr alle Einzelteile für die "Girling"-Bremse lieferbar sind, kann eine Umrüstung der Vorderrad-Bremse auf "ATE" empfehlenswert sein.

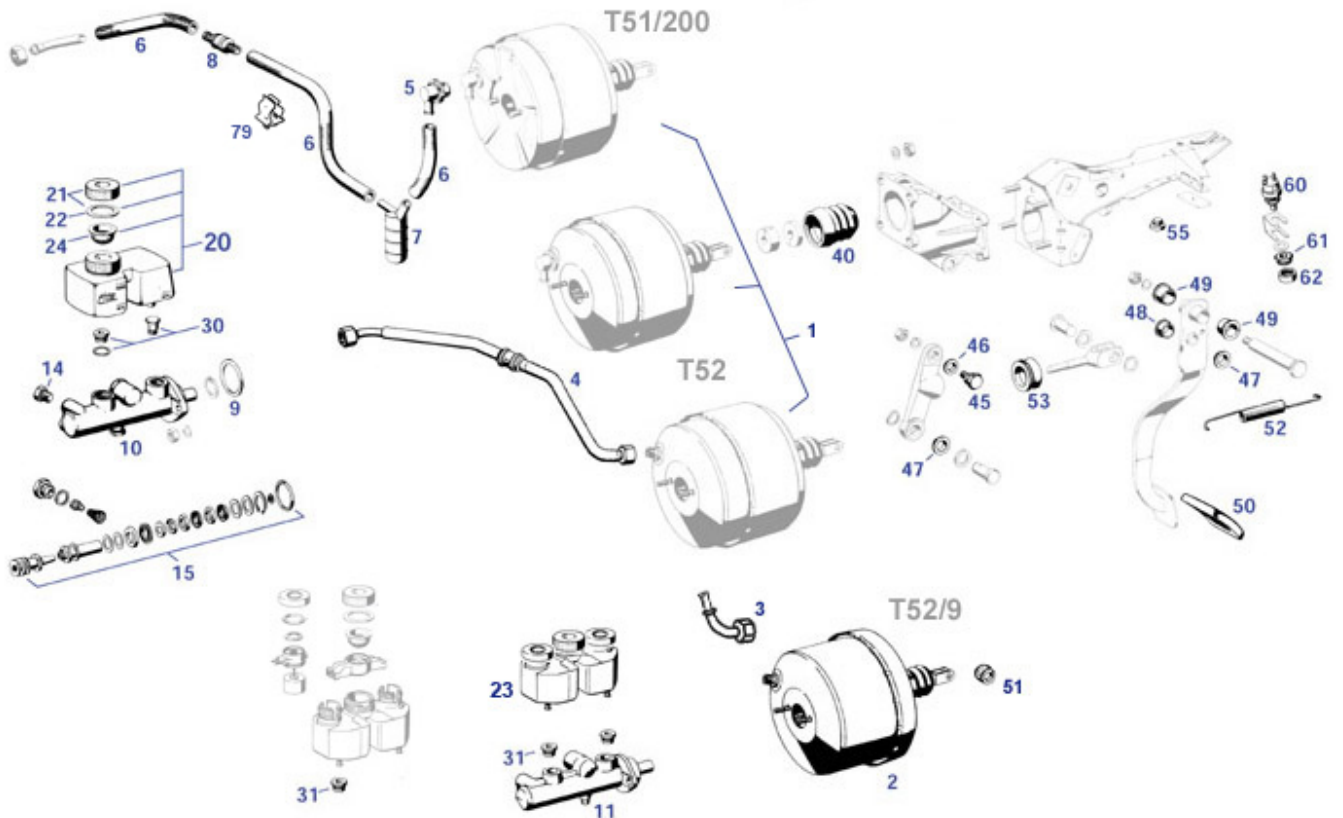


Bremssattel-Reparatursätze beinhalten keine Teile für die Zerlegung der Sattel-Hälften. Neben der üblichen Warnung vor Bremsen-Reparaturen durch unautorisiertes Personal, wird insbesondere von der Zerlegung der Sattel-Hälften abgeraten.

2	Set of Brake pads front Girling, 230SL** 220SEb**	<a href="#">242031</a>	45,77 €	2	set of brake pads TEXTAR	<a href="#">242731</a>	24,98 €
2	Set of Brake pads front Girling, 230SL** 220SEb**	<a href="#">242831</a>	39,60 €	8	Repair set, brake caliper	<a href="#">242017</a>	77,35 €
11	Brake cylinder piston,large	<a href="#">242019</a>	68,43 €	12	Piston, Girling-230SL, outer(small)	<a href="#">242013</a>	65,45 €

### 43 Mastercylinder

These steps of "modernization" of the brake system are also possible at a later date: - Replacement of the early 230SL-HBrZ (2 outlets) with the picture number 10 shown here (230SL with 3 outlets), please note the routing of the cables. (Workshop manual and catalogue image brake lines). - Replacement of the unavailable, early brake boosters in the last (and largest) version T52-9: Installation space and push rod will fit the hydraulic cylinder, but modifications to adjacent parts will need to be made: Pivot bolt pedal lever, bearing block at bellows, vacuum connection.

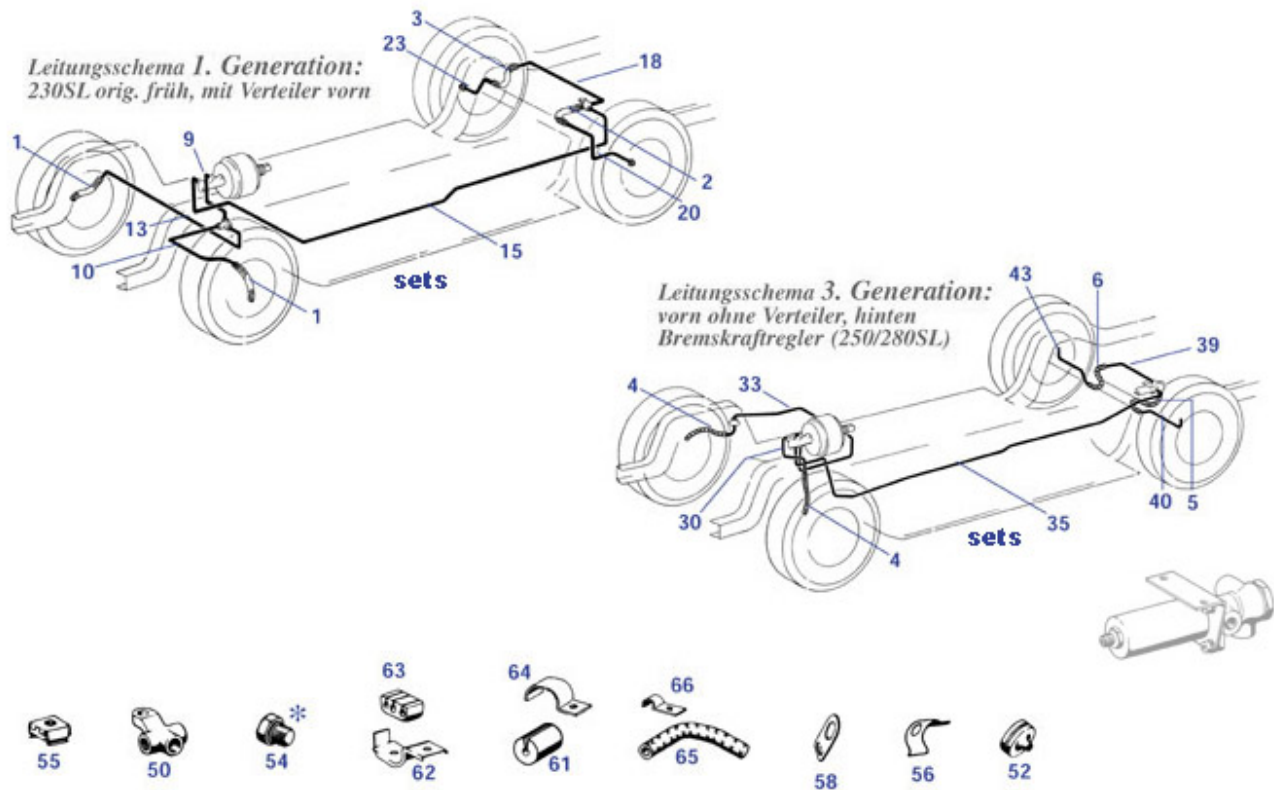


	A0004314387 Seal boot	<a href="#">243827</a>	22,00 €		Gasket, sender unit	<a href="#">243004</a>	13,74 €
	1m white vac-hose for brake vacuum	<a href="#">943782</a>	14,40 €		Grommet, reservoir to mastercyl, ca 9.'75-8.'85	<a href="#">743029</a>	2,55 €
	boot at push rod	<a href="#">243826</a>	20,50 €	1	Brake Booster (Repro)   Replacing T51-200 / A0004305530	<a href="#">243700</a>	698,99 €
2	Brake Servo T52-9, ATE, ca. '68-'85, div. SL/SE, ..	<a href="#">243030</a>	909,90 €	2	modified booster support (used)	<a href="#">243105</a>	700,90 €
2	Bushing, brake linkage (if Booster new)	<a href="#">729430</a>	5,99 €	3	Tube 90° e.g. adapt T52->old hose	<a href="#">243038</a>	13,74 €
6	Hose, wire armed, e.g. brake-vac	<a href="#">943082</a>	19,34 €	8	Check valve, brake vac.	<a href="#">243016</a>	15,89 €
9	Seal ring, servo, front	<a href="#">243017</a>	1,61 €	10	Master cylinder 230SL LHD from 08143	<a href="#">243010</a>	347,85 €
11	Master cylinder 250 - 280 SL, R107 -> '74, brand Textar or	<a href="#">243711</a>	250,82 €	11	Master cylinderFN	<a href="#">243012</a>	297,60 €
11	Master cylinderFN	<a href="#">243011</a>	269,00 €	15	Repair kit mastercylinder ca.68-74, TRW	<a href="#">243815</a>	143,97 €
15	Repair kit m.c.FN	<a href="#">243715</a>	14,38 €	15	Repair kit mastercylinder ca.68-74, FTE	<a href="#">243015</a>	92,92 €
20	reservoir, ca'62-'67 (no floater),reproduction	<a href="#">243705</a>	76,64 €	21	A0004315433 Reservoir cap	<a href="#">143023</a>	15,55 €
23	reservoir, version similar W123	<a href="#">243706</a>	82,11 €	23	part of housg. 2-pole male connector	<a href="#">254087</a>	5,12 €
23	Reservoir12.67->7.75,replaced!see pic	<a href="#">243006</a>	289,27 €	23	Reservoir from '68, fits manual	<a href="#">243606</a>	90,18 €
30	Fittings kit, master cyl reservoir ->67	<a href="#">243003</a>	50,36 €	30	o-ring seal for master cyl reservoir ->67	<a href="#">243033</a>	3,31 €
30	Rubber grommet, Mastercyl. up to '67	<a href="#">243019</a>	2,62 €	31	Rubber grommet, Mastercyl. 11.'67 -> 08.'75	<a href="#">743027</a>	3,02 €
45	Eccentric bolt, brake pedal, repro	<a href="#">243028</a>	24,99 €	45	Bolt @ booster lever, eccentric	<a href="#">243828</a>	18,75 €
47	Bushing, pedal to booster link	<a href="#">229023</a>	22,00 €	50	Rubber pad, brake and clutch pedal, no name	<a href="#">229005</a>	4,71 €
53	Boot,bulkhead,brake push rod, 113 LHD	<a href="#">229018</a>	13,01 €	60	brake light swich, 4-pole, see illustration	<a href="#">954019</a>	37,26 €
60	Switch,stop light, 2-pole, current style	<a href="#">254019</a>	21,00 €	62	plastic ring, pedal stop @ brake switch	<a href="#">254107</a>	26,18 €



## 42.c Brakepipes

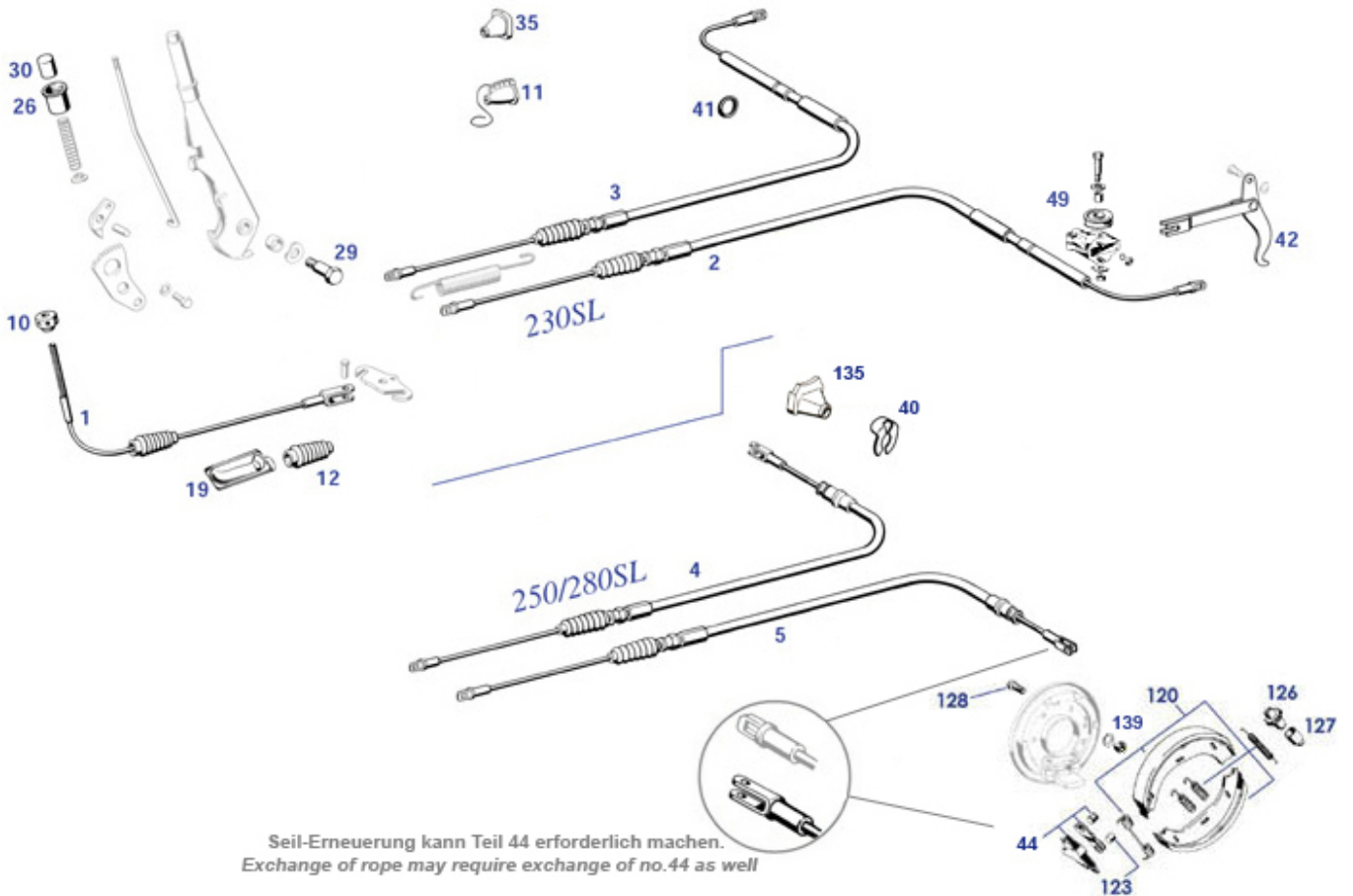
42.c Brakepipes



	Sheet metal screw with hexagon 5.5 X 13 galvanized	<a href="#">990102</a>	0,20 €		workshop fitting for 4.75 lines, male thread, hex 11	<a href="#">942966</a>	0,36 €
1	Brake hose, front Lt.or Rt.	<a href="#">242040</a>	49,99 €	2	Brake hose rear left up to model year 1966	<a href="#">143051</a>	32,00 €
3	Brake hose, rr.rh. 220mm, W121,113,111,108...COH	<a href="#">143052</a>	49,99 €	5	Brake hose, rear Lt.	<a href="#">242111</a>	50,99 €
10	Brake line 195mm :, 230frt Lt.,107 rear	<a href="#">742104</a>	14,28 €	15	Brake pipe master cyl./junction, LHD 3190mm	<a href="#">742065</a>	36,89 €
18	Brake pipe, rear middle 635mm	<a href="#">242064</a>	15,35 €	20	Brake pipe 525mm: rr ->'67 LH, '67-> RH	<a href="#">242101</a>	14,85 €
23	Brake pipe 430mm: rr LH 190SL+pontoon	<a href="#">142030</a>	5,68 €	30	Brakeline 450mm:R- RH(drumbrike),+frtLH'6	<a href="#">142020</a>	27,49 €
33	Brake pipe, front Rt.,late 1650mm	<a href="#">242067</a>	32,00 €	35	Brake pipe, long, ctre section, 3100mm, 250-280SL	<a href="#">242065</a>	34,50 €
40	Brake pipe, rear ctre or rr.LH, 575mm	<a href="#">242066</a>	7,89 €	50	Verteiler Bremsltg. m.Entl. hi. 57->	<a href="#">242104</a>	311,26 €
50	Distributor, brake lines, 3 conn., no bleeder	<a href="#">142008</a>	16,59 €	52	Rubber grommet 3/18, 121,113,107 and other	<a href="#">199010</a>	1,67 €
55	Cage nut M6, no locking	<a href="#">188835</a>	1,90 €	56	Retaining spring 250-280SL	<a href="#">243058</a>	1,06 €
56	Retaining clamp, brake hose	<a href="#">143036</a>	0,99 €	56	Bracket 250-280SL	<a href="#">243658</a>	1,06 €
58	Lock plate ,brake pipe,front	<a href="#">243057</a>	4,05 €	61	Rubber sleeve	<a href="#">243859</a>	2,38 €
62	3-way Clamp Fuel Pipes, W113 (EU)	<a href="#">247040</a>	2,90 €	62	Clamp, fuel pipes	<a href="#">247049</a>	2,68 €
63	Rubber protect. 2+1 pipes in clamp	<a href="#">247839</a>	7,09 €	64	Clamp, rear floor, fits 6mm wire or pipe	<a href="#">242059</a>	3,99 €
64	Clamp, bulkhead	<a href="#">242058</a>	2,76 €	65	1 m Fuel hose, 4 x 10	<a href="#">247046</a>	4,76 €
66	Clamp 5mm e.g. brake lines	<a href="#">143038</a>	0,50 €	79	Gasket, rear axle brake control	<a href="#">242168</a>	4,30 €

## 42.d Handbrake

42.d Handbrake

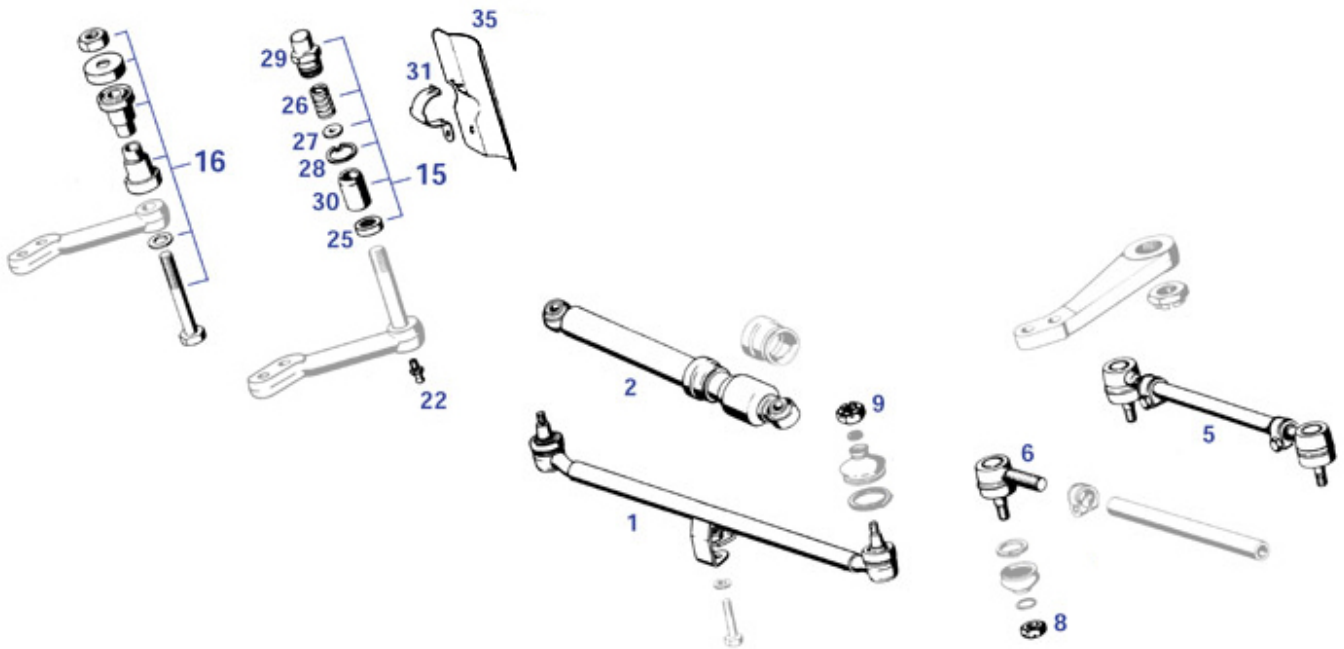


	Spring, hand brake release knob	<a href="#">242875</a>	13,61 €		Screw, backplate to axle, 250-280SL	<a href="#">242117</a>	39,98 €
	Rippenriemen 2415mm, zB103 Klima+LuPu	<a href="#">999101</a>	51,37 €		Coil spring @ brake rear, e.g. 230SL ..	<a href="#">242862</a>	8,10 €
1	as long as stock lasts! Brake cable, front, 230-280SL	<a href="#">242600</a>	81,99 €	1	Brake cable, front, 230-280SL	<a href="#">242800</a>	95,69 €
2	Parking brake cable 230SL left	<a href="#">242730</a>	99,95 €	3	Parking brake cable 230SL right	<a href="#">242740</a>	99,95 €
4	Brake cable,rr.Rt. 250-280SL	<a href="#">242180</a>	66,22 €	5	Brake cable, rr.Lt. 250-280SL	<a href="#">242170</a>	62,90 €
10	Nut	<a href="#">242097</a>	90,64 €	10	Nut, parking brake adjuster	<a href="#">242897</a>	50,24 €
11	Sleeve,brake cable	<a href="#">342037</a>	27,50 €	12	Bellows, e.g. ctr brake cable	<a href="#">242876</a>	9,39 €
19	Trough, hand brake cable R113	<a href="#">201035</a>	86,08 €	26	Sleeve, hand brake	<a href="#">242079</a>	10,19 €
29	Bolt, hand brake link	<a href="#">242148</a>	28,95 €	30	Push button, black	<a href="#">242078</a>	11,00 €
30	Push button, ivory	<a href="#">242077</a>	38,85 €	40	Lock spring washer eg brake wires	<a href="#">242043</a>	2,05 €
41	Set locking shim + O-ring, brake wire R	<a href="#">242844</a>	45,99 €	42	Handbrake lever, Rt.	<a href="#">142043</a>	258,65 €
44	link, fits new brake rope eye	<a href="#">242855</a>	10,65 €	49	Cable spool housing Repro, fits L or R	<a href="#">242845</a>	51,40 €
49	locking plate, brake wire housing	<a href="#">242154</a>	7,08 €	49	Bolt, brake rope @ guide roll	<a href="#">342999</a>	27,10 €
49	Pulley, brake wire, plastic	<a href="#">242151</a>	14,30 €	120	Brake shoes and fitment parts, ATE	<a href="#">242200</a>	32,40 €
120	Spring @ brake shoe	<a href="#">842193</a>	0,33 €	120	Brake shoes and fitment parts, FEBI	<a href="#">242700</a>	17,11 €
128	Repair set, brake caliper	<a href="#">242017</a>	77,35 €	135	Rubber grommet brake rear rt late	<a href="#">242838</a>	9,31 €
135	Rubber grommet, brake rear lt late	<a href="#">242837</a>	9,31 €	139	Grip washer M8	<a href="#">299274</a>	0,29 €

## 46 Steering

### 46.a Steering, Linkage

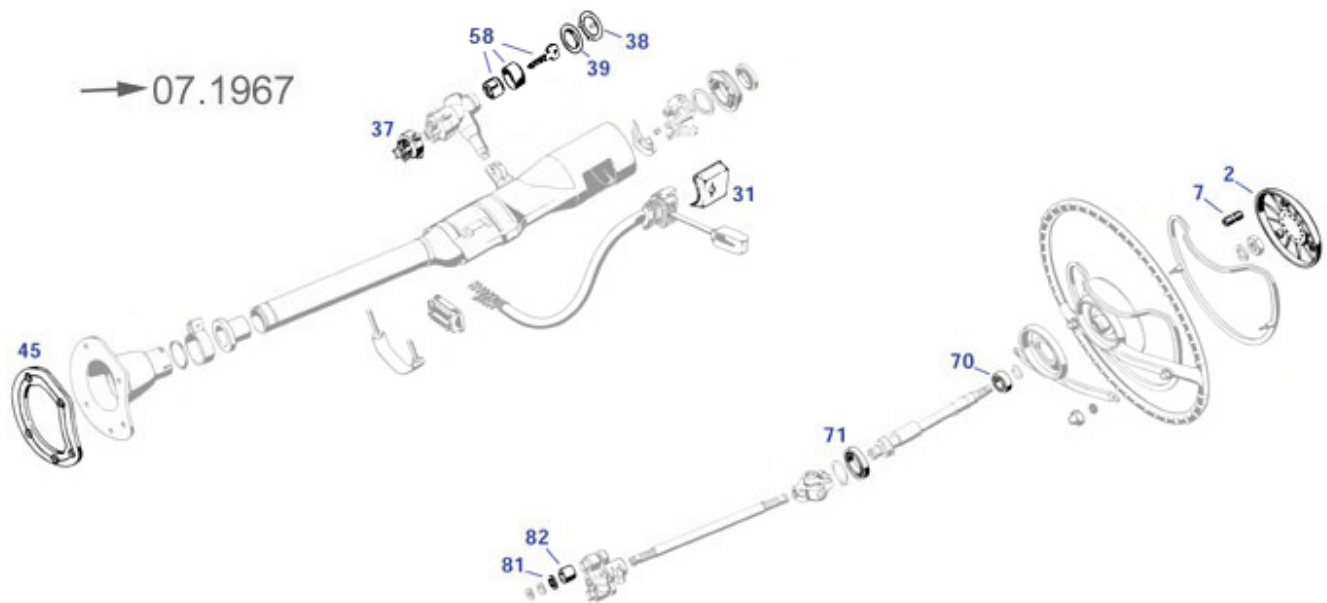
46.a Steering, Linkage



	hex.head screw M10X1X45, e.g.	<a href="#">233147</a>	0,72 €	1	set steering rod with special screw and washers	<a href="#">246660</a>	38,08 €
2	hex head screw 10.9 zinc plated M10X1X40, eg. steering damper	<a href="#">233146</a>	1,23 €	2	Steering damper	<a href="#">246080</a>	45,09 €
6	Left Tie Rod end -"Febi"	<a href="#">233091</a>	7,25 €	6	Right Tie Rod end -"Febi"	<a href="#">233092</a>	7,25 €
8	Castle nut M10X1, thin shape, early joint	<a href="#">133706</a>	2,45 €	8	hex nut M10 X 1, prevailing torque type, tie rod end	<a href="#">233094</a>	1,51 €
9	Split pin 2,5 x 25, fits crown nuts steering linkage	<a href="#">133007</a>	0,24 €	9	Cotter pin 2,0 x 25, e.g. tie rod nuts	<a href="#">299460</a>	0,12 €
9	Castle nut M10X1, long shape, early joint	<a href="#">133006</a>	2,38 €	16	Steering arm repair kit from '68 FEBI	<a href="#">246062</a>	19,50 €
22	Cap for grease nipple, red	<a href="#">333048</a>	0,65 €	22	Grease nippleFN	<a href="#">233048</a>	0,26 €
25	seal ring with plastic ring insert	<a href="#">246067</a>	9,38 €	25	Seal ring, standard part, steering link ->12.67	<a href="#">246967</a>	6,19 €
26	Thrust spring, steering link ->FN	<a href="#">246068</a>	11,28 €	27	Thrust washerFN	<a href="#">246069</a>	13,99 €
28	Locking tab ring	<a href="#">199005</a>	3,30 €	29	Cap, steering boxFN	<a href="#">246066</a>	29,55 €
30	Idler arm bushing	<a href="#">146023</a>	31,25 €	31	Fixing, shield, steering li	<a href="#">249079</a>	7,89 €
35	Protective plate ,frt well, LHD	<a href="#">249070</a>	175,86 €	35	heat protection, 113LHD up to '68	<a href="#">249065</a>	130,00 €
38	Bolt, M8x35, fits drag links	<a href="#">233199</a>	0,44 €	39	Split pin 5 X 45, eg castle nuts steering	<a href="#">246213</a>	0,43 €

### 46.b Steering Column up to 07.67

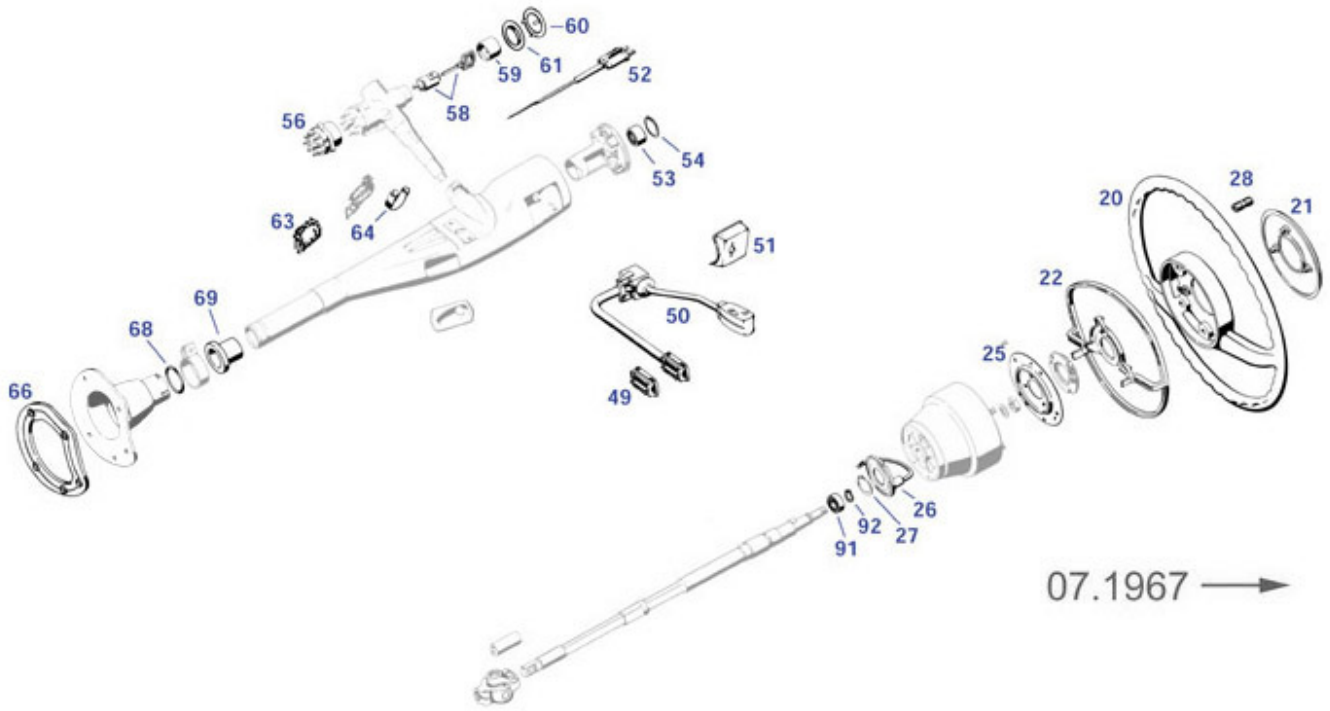
46.b Steering Column up to 07.67



	switch, ign-lock '62-'67 113...	<a href="#">246890</a>	89,25 €		Chrome nut, hub spoke ->'67 horn push	<a href="#">246215</a>	13,09 €
2	base disc for hub pad up to '67, Repro, see pict	<a href="#">246811</a>	162,14 €	30	Switch up to'67, Repro, LHD+RHD	<a href="#">246801</a>	510,50 €
31	Sleeve, steering column->switch arm	<a href="#">246007</a>	29,80 €	34	retaining rings for bores 42 X 1,75	<a href="#">246136</a>	0,60 €
37	Ignition Switch   R113 - 1962-1967	<a href="#">246090</a>	98,92 €	38	lock escutcheon up to '67, Brass, chromed	<a href="#">268741</a>	14,68 €
38	lock escutcheon up to '67, Alu anodized	<a href="#">268041</a>	7,98 €	39	Rubber pad, dec. ring, ->'67	<a href="#">268042</a>	16,18 €
45	Rubber gasket, 113 LHD steering column @ cabin floor	<a href="#">246708</a>	47,59 €	45	Rubber gasket, 113 LHD steering column @ cabin floor	<a href="#">246808</a>	81,46 €
47	grommet, lower steering tube to spindle	<a href="#">246849</a>	16,99 €	58	Set locking cyl. ign. with chrome cap, fits ->'67	<a href="#">246034</a>	255,85 €
70	ball bearing upper steerg column 20x42x12	<a href="#">246162</a>	5,58 €	71	Bearing in column early types (near cross joint)	<a href="#">246164</a>	15,74 €
72	retaining rings for shafts 20 X 1,2	<a href="#">299498</a>	0,26 €	73	Spring @ horn button, steering column ->'67	<a href="#">246018</a>	38,40 €
82	del.- t. Nylon bushing, Repro, early column	<a href="#">246876</a>	5,52 €	82	del.- t. Nylon bushing, Repro, early column	<a href="#">246876</a>	5,52 €
82	Nylon bushing, coupling,early PU	<a href="#">246776</a>	17,59 €	82	Nylon bushing, coupling,early PU	<a href="#">246776</a>	17,59 €

## 46.c Steerg. column from 07.67

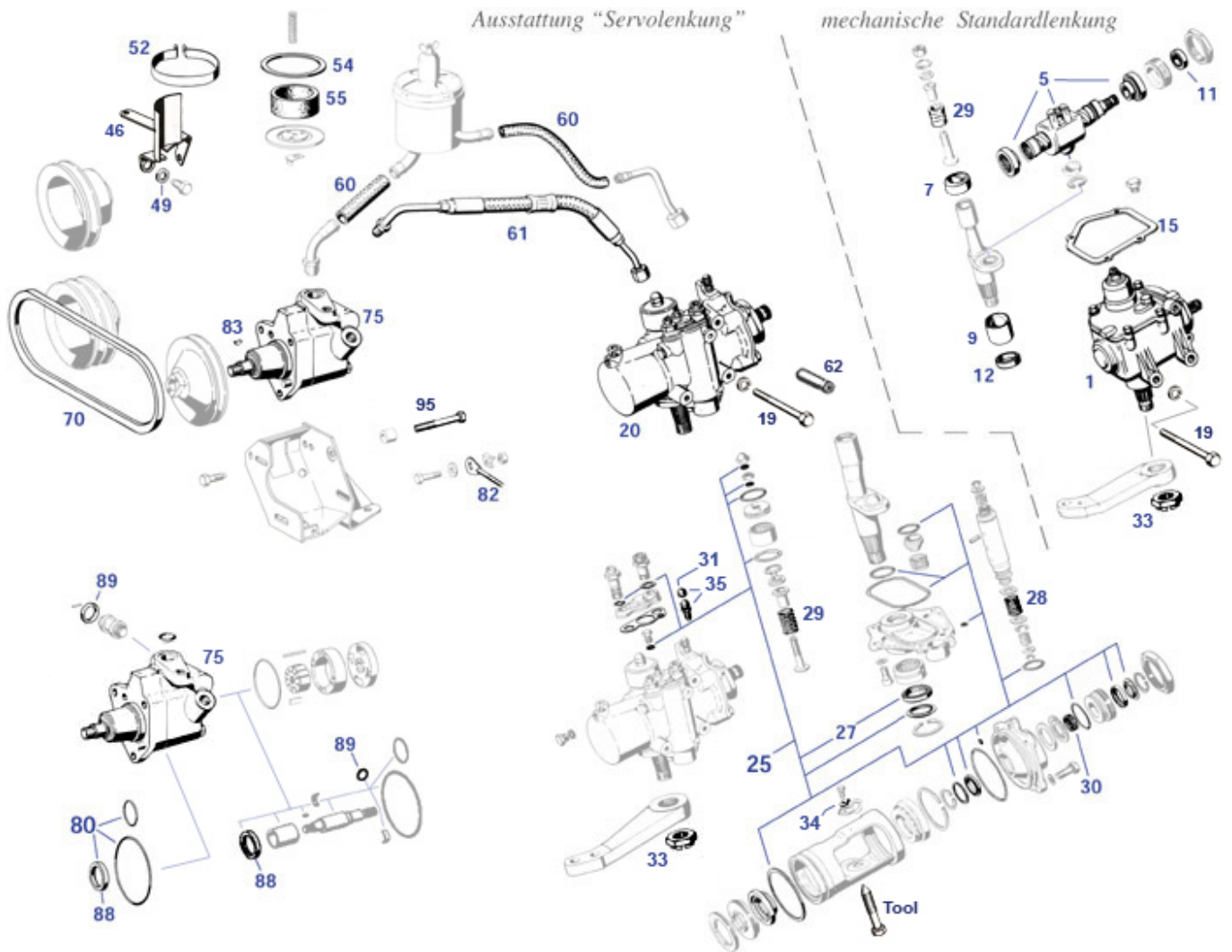
46.c Steerg. column from 07.67



	hex. head screw with UNC thread, for Vickers cast iron pump	<a href="#">246896</a>	3,45 €	21	hard plastic imitation of ctre steering pad	<a href="#">246843</a>	130,28 €
28	Fixing sleeve, s/w. hub pad 67->	<a href="#">246046</a>	1,42 €	50	Turn Signal Switch   Pagoda 250-280SL 1967-> (LHD)	<a href="#">246802</a>	510,50 €
51	Sleeve, steering column LHD, '67->	<a href="#">246006</a>	28,56 €	53	Needle bearing, steering column from 1967, ref.-No. A0189816110	<a href="#">246163</a>	9,33 €
54	retaining rings for bores 42 X 1,75	<a href="#">246136</a>	0,60 €	56	A1164620093 Switch.ignition ca 67-80	<a href="#">246091</a>	79,99 €
58	Lock cyl. 250/280SL, ign.lo	<a href="#">246854</a>	82,11 €	60	Rest: escutcheon from '67, brass, chromed	<a href="#">268743</a>	14,99 €
61	Rubber ring   1967 -> 07..1979   A1156890097	<a href="#">268044</a>	4,61 €	66	Rubber gasket, 113 LHD steering column @ cabin floor	<a href="#">246708</a>	47,59 €
66	Rubber gasket, 113 LHD steering column @ cabin floor	<a href="#">246808</a>	81,46 €	69	grommet, lower steering tube to spindle	<a href="#">246849</a>	16,99 €

## 46.d Steering Gearbox, Fluid Pump

46.d Steering Gearbox, Fluid Pump



	hex. head screw with UNC thread, for Vickers cast iron pump	<a href="#">246896</a>	3,45 €	tool	Alignment bolt, steering centering	<a href="#">258460</a>	55,54 €
1	Steering gear, reconditioned, non-servo	<a href="#">246122</a>	1.362,95 €	7	Repair-bushing, upper. steerg box	<a href="#">246084</a>	33,43 €
9	Repair-bushing, lower, steerg box	<a href="#">246085</a>	21,22 €	11	Seal ring e.g. steerg box / gear box	<a href="#">227811</a>	2,44 €
12	Seal ring e.g. steering box lower late	<a href="#">146087</a>	9,47 €	15	Gasket.steering box,upper, man/noP/St	<a href="#">246086</a>	19,30 €
15	Gasket.steering box,upper, man/noP/St	<a href="#">246786</a>	10,71 €	19	Bolt M10 x 105, 10.9, e.g. Steerg @ frame rail	<a href="#">246199</a>	7,21 €
19	Spring washer, u/j bolt	<a href="#">235303</a>	0,42 €	25	Gasket kit pwr steerg, div. 108-113	<a href="#">246805</a>	38,25 €
25	locking plate	<a href="#">246809</a>	1,38 €	25	Gasket kit pwr steering 108-113, brand FEBI	<a href="#">246105</a>	37,95 €
27	Seal ring, power steering, lower	<a href="#">246081</a>	12,50 €	28	Coil spring lower, PWS	<a href="#">246128</a>	16,23 €
29	Coil spring, steering gear lever shaft pressure	<a href="#">246129</a>	16,23 €	30	Needle bearing eg. power steering upper spindle	<a href="#">246126</a>	6,40 €
31	Bleeder valve cap, brake, steering	<a href="#">143041</a>	2,62 €	33	Castle nut steerg. box to lever	<a href="#">246219</a>	8,46 €
33	Split pin 5 X 45, eg castle nuts steering	<a href="#">246213</a>	0,43 €	35	Bleeder valve (M10 fine), 190brake, Steerg(Pws)	<a href="#">142003</a>	3,94 €
46	bracket for servo reservoir	<a href="#">246247</a>	51,48 €	49	alu seal ring M12, eg.eng.block @ chain	<a href="#">298712</a>	0,13 €
52	clamp@bracket for servo reservoir	<a href="#">246248</a>	30,38 €	54	Sealing ring, fluid tank cap	<a href="#">299023</a>	3,68 €
54	Sealing ring, fluid tank cap	<a href="#">299723</a>	2,99 €	55	Filter, pws. fluid tank	<a href="#">299022</a>	29,99 €
58	Spring, PWS balancing tank	<a href="#">299030</a>	7,38 €	60	1m oil hose pws-return line, i.d.15mm	<a href="#">299020</a>	28,75 €
60	Hose clamp 20-32mm, worm thread style	<a href="#">750042</a>	1,09 €	60	Hose clamp 24-32, worm thread style	<a href="#">999889</a>	1,51 €
61	Hose, pump to power steering	<a href="#">299021</a>	129,70 €	61	Hose, hydraulic, PWS, RHD	<a href="#">290099</a>	169,00 €
62	steel tube, steering gear mount @ frame	<a href="#">262131</a>	14,22 €	70	V belt 13 X 750 e.g. PWS-pump	<a href="#">299102</a>	6,19 €
72	Pulley early pws pump (cyl style	<a href="#">246101</a>	390,32 €	75	Pump,pwrsteerg, used, sealed,	<a href="#">246500</a>	607,14 €

75	shaft) Pump,pwrsteerg, used, sealed, tested, (old part required!)	<a href="#">246100</a>	607,14 €	80	tested, (old part required!) Short gasket kit , pws pump "cyl- shaft"	<a href="#">246104</a>	2,68 €
82	Tensioning bolt, power steering pump	<a href="#">299025</a>	30,64 €	83	woodruff key, pump shaft pws	<a href="#">246116</a>	9,50 €
88	Oil seal, PWS pump VT27	<a href="#">246144</a>	6,14 €	89	O Ring, pressure valve	<a href="#">246145</a>	3,50 €

## 46.e Special Steering Wheels

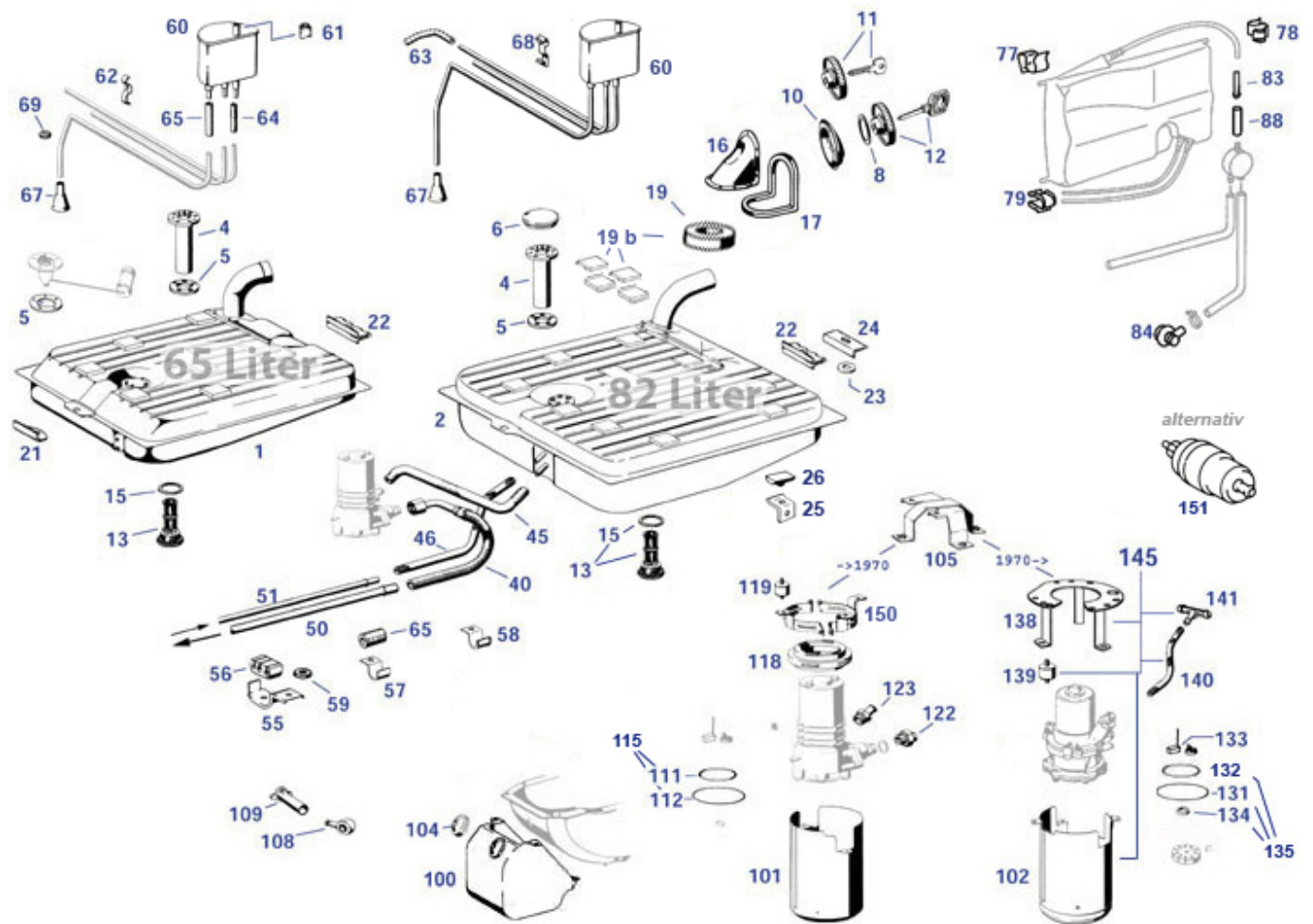
### 46.e Special Steering Wheels



1	Nardi-Classico, wd/alu 39cm no hub	<a href="#">746010</a>	575,00 €	3	Nardi horn button 1-pole	<a href="#">246023</a>	133,16 €
---	---------------------------------------	------------------------	----------	---	--------------------------	------------------------	----------

# 47 Fuel Tank

47 Fuel Tank



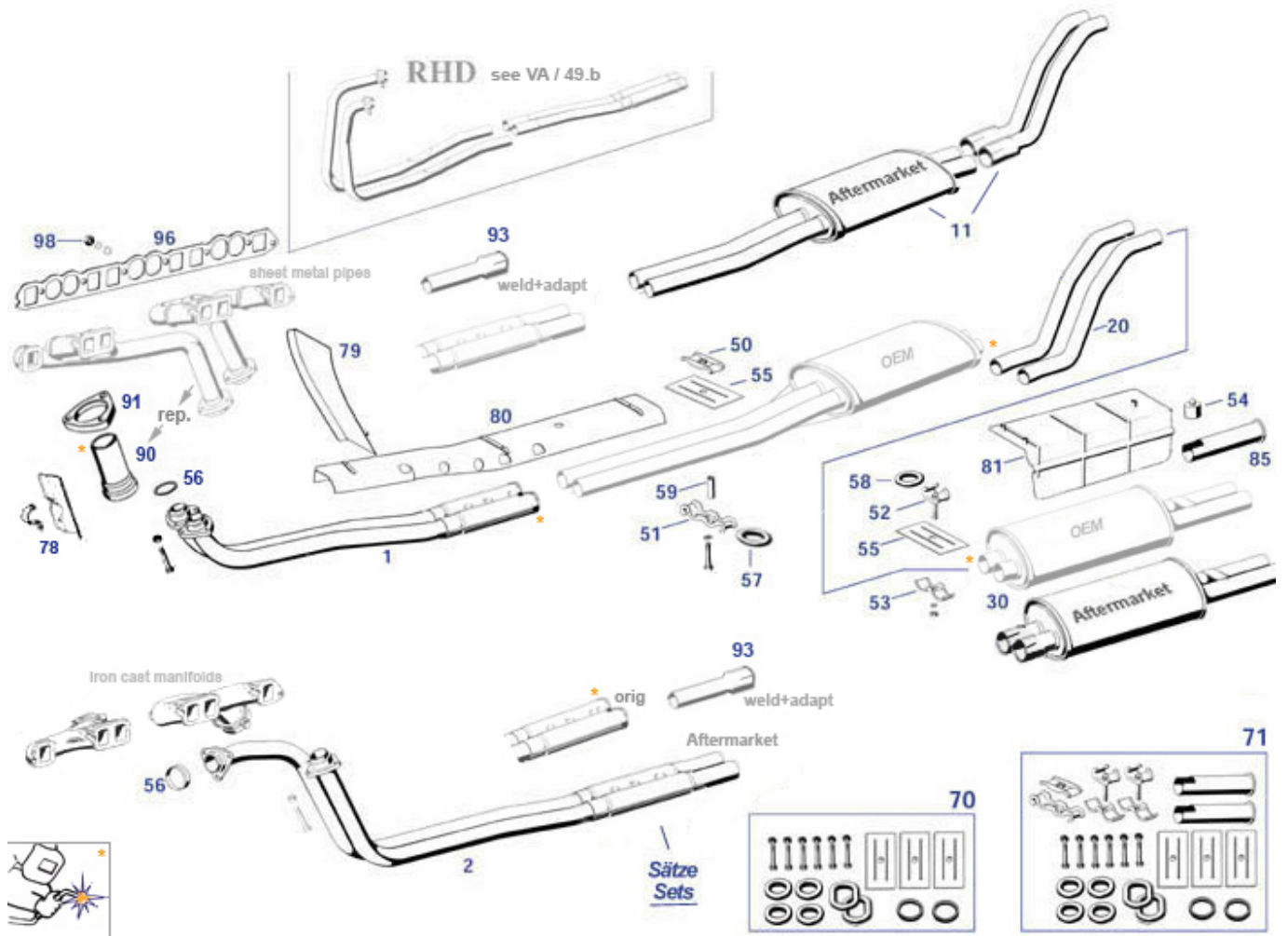
	rubber inlay, for 3 pipes (8 + 8 + 5mm)	<a href="#">247859</a>	5,63 €		Fuelpump 06.76->08.85+300SL	<a href="#">747006</a>	71,61 €
	neoprene 6mm, self-adhesive, 1/sqm	<a href="#">968035</a>	31,50 €		hose clamp 10-16, worm thread style	<a href="#">999888</a>	1,84 €
	Pipe,ff - fp.250-280SL, flexible section	<a href="#">247719</a>	69,00 €		impeller disc, small feeder pump 280SE/SL	<a href="#">247070</a>	118,99 €
2	clamp inlay	<a href="#">747038</a>	1,84 €	1	Damping set, filler neck->boot	<a href="#">247689</a>	31,83 €
	Fuel tank 82ltr, 230SL late 250-280SL	<a href="#">247009</a>	970,50 €	4	fuel sender, 250/280SL, Repro	<a href="#">247606</a>	189,89 €
5	Gasket for fuel sender 1956-1972   A1104710180	<a href="#">147015</a>	1,48 €	6	Cover above fuel sender, plastic,black	<a href="#">347014</a>	7,79 €
6	round cover above fuel sender,Repro	<a href="#">247814</a>	5,20 €	8	Seal ring @ gas cap	<a href="#">247010</a>	2,98 €
10	Grommet for Fuel filler neck	<a href="#">247811</a>	24,10 €	13	threaded plug with filter element	<a href="#">247012</a>	20,35 €
15	Seal ring, tank filter	<a href="#">247013</a>	0,26 €	16	Cover plate, filler neck	<a href="#">269020</a>	31,77 €
17	Edge protection profile mtr, eg trunk	<a href="#">269010</a>	3,80 €	17	16 m sealing compound strip 3mm black	<a href="#">699996</a>	10,59 €
19	Sealing ring, filler neck->boot	<a href="#">269030</a>	7,13 €	21	Bracket, fuel tank front	<a href="#">247066</a>	37,08 €
22	Retainer, spring, fuel tank	<a href="#">247062</a>	41,44 €	23	Shim, Exh/Tank support	<a href="#">298776</a>	2,83 €
24	Clamp, fuel tank, rear	<a href="#">247026</a>	5,77 €	26	Rubber buffer	<a href="#">298895</a>	2,63 €
40	Hose,ff.,230SL to vn.013014, W111, ..	<a href="#">247002</a>	44,95 €	40	Hose clamp 15mm	<a href="#">947997</a>	3,09 €
40	Fuel hose, forwards 230-280SL	<a href="#">247031</a>	47,59 €	45	1m Fuel hose tank->pump 11/17mm, fabric	<a href="#">247005</a>	10,41 €
46	1m. Fuel hose 7,5x13,0 flat surface	<a href="#">247007</a>	8,50 €	46	1m fuel hose 7,5x12,5 fabric surface	<a href="#">247807</a>	7,13 €
50	Fuelfeedline230-280SL	<a href="#">247032</a>	115,00 €	51	Return fuel line   about 300 cm	<a href="#">247027</a>	101,95 €
55	Clamp, fuel pipes	<a href="#">247049</a>	2,68 €	55	3-way Clamp Fuel Pipes, W113 (EU)	<a href="#">247040</a>	2,90 €



55	Clamping Bolt M6 for square bodypanel holes	<a href="#">188036</a>	8,45 €	56	Rubber protect. 2+1 pipes in clamp	<a href="#">247839</a>	7,09 €
57	Clamp,pipe,front, outrigger	<a href="#">247052</a>	5,94 €	58	Clamp,pipe,under body,rear	<a href="#">247053</a>	7,69 €
59	rubber washer fits M6	<a href="#">299081</a>	1,19 €	60	expansion reservoir for fuel tank ventilation	<a href="#">247868</a>	140,00 €
62	Washer 6.4 large, yellow zinced	<a href="#">299276</a>	0,18 €	62	Clamp, expansion tank 6mm/9mm	<a href="#">247069</a>	9,70 €
64	1 m Fuel hose, 4 x 10	<a href="#">247046</a>	4,76 €	65	Hose, 8,5/15mm, 1 metre	<a href="#">247050</a>	12,60 €
67	Sleeve, tank ventilation	<a href="#">247079</a>	7,95 €	68	Clip,tank ventilating pipe	<a href="#">247055</a>	17,30 €
69	Grommet, 4,5/10mm, cable@wheelarch	<a href="#">182005</a>	2,53 €	78	Clip, cable	<a href="#">254073</a>	1,09 €
84	Grommet, tank vent pipe through carbody	<a href="#">147070</a>	6,52 €	88	1m Fuel hose 5,5mm e.g. 107-fuel vent.	<a href="#">247847</a>	3,92 €
100	Pump case,f.230SL w.spare tyre well	<a href="#">247060</a>	230,21 €	101	Hood,fuel pump, mid.generation	<a href="#">247061</a>	226,43 €
101	Hood,fuel pump, mid.generation	<a href="#">247861</a>	202,29 €	102	Case,fuel pump after '70 or new pump	<a href="#">247821</a>	175,00 €
104	Rubber grommet	<a href="#">299005</a>	2,59 €	105	Upper bracket ref 1134700081, needs work	<a href="#">247080</a>	67,00 €
105	N/A upper bracket late, try 247080	<a href="#">247081</a>	109,24 €	108	Ring eyelet, crimp, uninsulated, high-temp. MS sn, ID4.2	<a href="#">997989</a>	0,51 €
108	Ring eyelet, crimp, uninsulated, high-temp. MS sn, ID5.3	<a href="#">997988</a>	0,33 €	112	Seal ring,lower,early	<a href="#">247037</a>	4,55 €
115	Sealkit for early fuel pump (W108-113)	<a href="#">247100</a>	49,99 €	118	Ring, early fuel pump rubber mount	<a href="#">247033</a>	47,10 €
119	Rubber mount, e.g. Fuel pump, Air box	<a href="#">247828</a>	1,56 €	130	Grommet for Fuel Pump Wiring	<a href="#">299018</a>	2,53 €
131	Seal ring, late style pump, @lowr housg	<a href="#">247041</a>	3,74 €	132	Sealing ring, late pump, upper	<a href="#">247044</a>	4,17 €
133	carbon brush, small pump	<a href="#">254867</a>	18,99 €	134	Seal ring in late style fuel pump, inne	<a href="#">247048</a>	2,73 €
134	Seal ring small, late pump, 3x req.	<a href="#">247057</a>	2,05 €	134	Alu ring 22mm	<a href="#">199924</a>	0,60 €
134	Copper ring fits M4 screws	<a href="#">247051</a>	0,43 €	138	Mount, fuel pump,late	<a href="#">247022</a>	46,67 €
139	Rubber buffer,fuel pump,late	<a href="#">247023</a>	4,74 €	139	Rubber mount e.g. small fuel pump	<a href="#">247823</a>	3,90 €
141	T-connector, fuel hoses	<a href="#">247015</a>	4,76 €	150	Bracket for early fuel pump 90mm	<a href="#">247635</a>	89,90 €
150	Clamp,early ,first half	<a href="#">247035</a>	122,71 €	150	Clamp,early ,second half	<a href="#">247036</a>	127,90 €
151	Electric Fuel Pump   usable for W113	<a href="#">547001</a>	114,50 €	151	1m Fuel Hose 14/22mm	<a href="#">747029</a>	37,28 €

## 49 Exhaust Systems

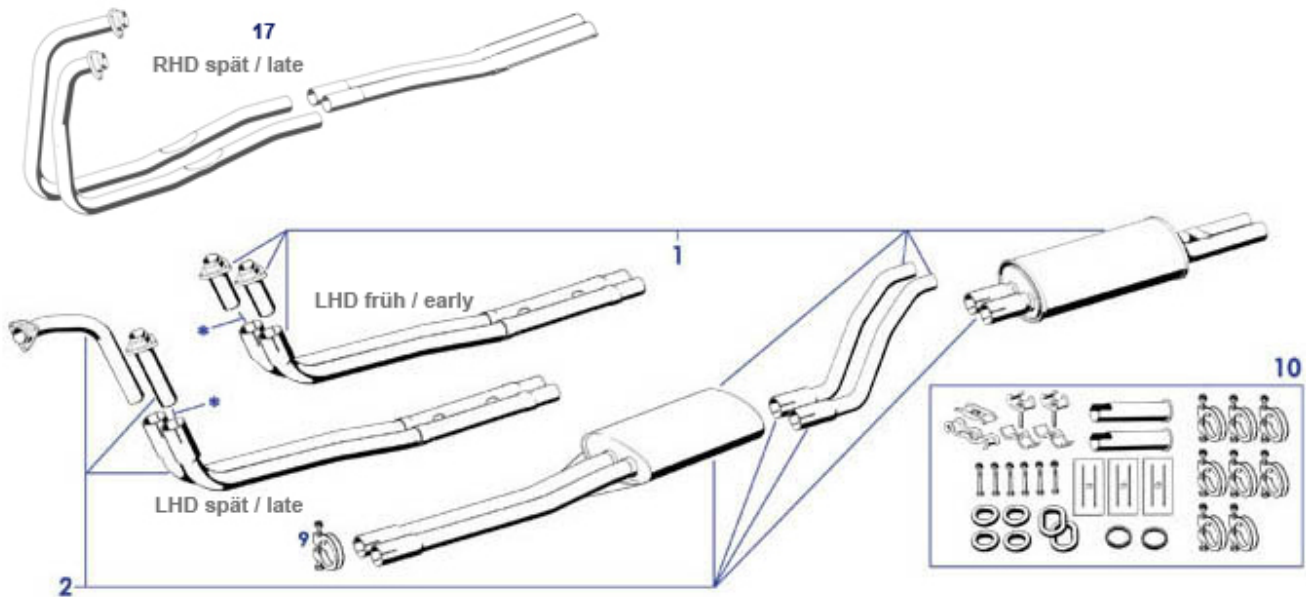
### 49.a Exhaust System, standard



	Clamp, rear, upper, steel, zincd	<a href="#">249714</a>	9,70 €	1	Conn-pipe + reducer adapts welded front	<a href="#">249801</a>	18,22 €
1	Front pipe 230LHD early, steel, coated, design as original	<a href="#">249001</a>	239,67 €	2	Front pipe LHD '66->, steel, fits 949017	<a href="#">249800</a>	349,21 €
2	Front pipe LHD '66->, steel, weld-fit sleeve clamp 40-44mm, fits 249800	<a href="#">249000</a> <a href="#">949017</a>	240,50 €	11	Center Silencer 3-pcs, aftermarket	<a href="#">249808</a>	199,99 €
11	Rear silencer, zn-al-plated, R113	<a href="#">249032</a>	10,50 €	20	Conn. pipe rear, steel, weld-system	<a href="#">249020</a>	40,01 €
30	Clamp, middle, lower	<a href="#">249012</a>	166,01 €	50	Exh.-bracket, centre upper	<a href="#">249013</a>	10,78 €
51	Clamp, rear, upper	<a href="#">249014</a>	9,14 €	52	Spacer sleeve (e.g. exhaust bracket)	<a href="#">849819</a>	3,76 €
52	Rubber buffer, exhaust	<a href="#">798747</a>	13,78 €	53	Clamp, rear, lower	<a href="#">249011</a>	6,75 €
54	Insulating plate	<a href="#">249015</a>	0,92 €	54	Rubber buffer, floor/exhaust, others...	<a href="#">249818</a>	4,68 €
55	Rubber ring, universal,exhaust, 69x45x1	<a href="#">549016</a>	8,62 €	56	Sealing ring, exhaust manif.	<a href="#">249060</a>	2,37 €
57	Spacer for Exhaust Hanger Bracket	<a href="#">249847</a>	2,68 €	58	inner diameter 30, rubberstring 15	<a href="#">249019</a>	1,90 €
59	Fixing, shield, steering li	<a href="#">249079</a>	3,99 €	78	heat protection, 113LHD up to '68	<a href="#">249065</a>	130,00 €
78	Tapping screw Phillips 4,2x9,5	<a href="#">799936</a>	7,89 €	79	Protective plate ,frt well, LHD	<a href="#">249070</a>	175,86 €
80	Panelling screw 4,8 x 13	<a href="#">799933</a>	0,15 €	80	Front Heat Shield for Exhaust Pipes, centre section	<a href="#">249080</a>	265,05 €
85	Tail pipe, chrome	<a href="#">249733</a>	0,32 €	81	Heat prot.shield, rr.silencer	<a href="#">249085</a>	118,70 €
90	Rep.-section, tube, fits early 230-mani	<a href="#">214818</a>	113,05 €	85	Tail pipe, chrome, Premium quality	<a href="#">249033</a>	31,57 €
96	Gasket Intake/Exhaust M127-130, ELRING	<a href="#">249990</a>	14,54 €	91	Flange	<a href="#">249044</a>	42,48 €
98	Washer 2mm, thick, exh-manif, bumpers .	<a href="#">214008</a>	0,56 €	96	Manifold Gasket M127-130   "REINZ"	<a href="#">249090</a>	14,40 €
				98	Nut, M10, exh manifold	<a href="#">114008</a>	1,25 €

214100	Exhaust manifold for laste W113 (used) Cylinder 1-3	<a href="#">214101</a>	512,89 €	214100	Exhaust manifold for late W113 (used) Cylinder 4-6	<a href="#">214100</a>	1.190,00 €
249048	Screw M8x55 exhaust bracket	<a href="#">249048</a>	0,96 €	249049	Bolt M8x50, e.g. exh front pipe flange	<a href="#">249049</a>	1,26 €

## 49.b Stainless Steel Exhaust 230SL 250SL 280SL

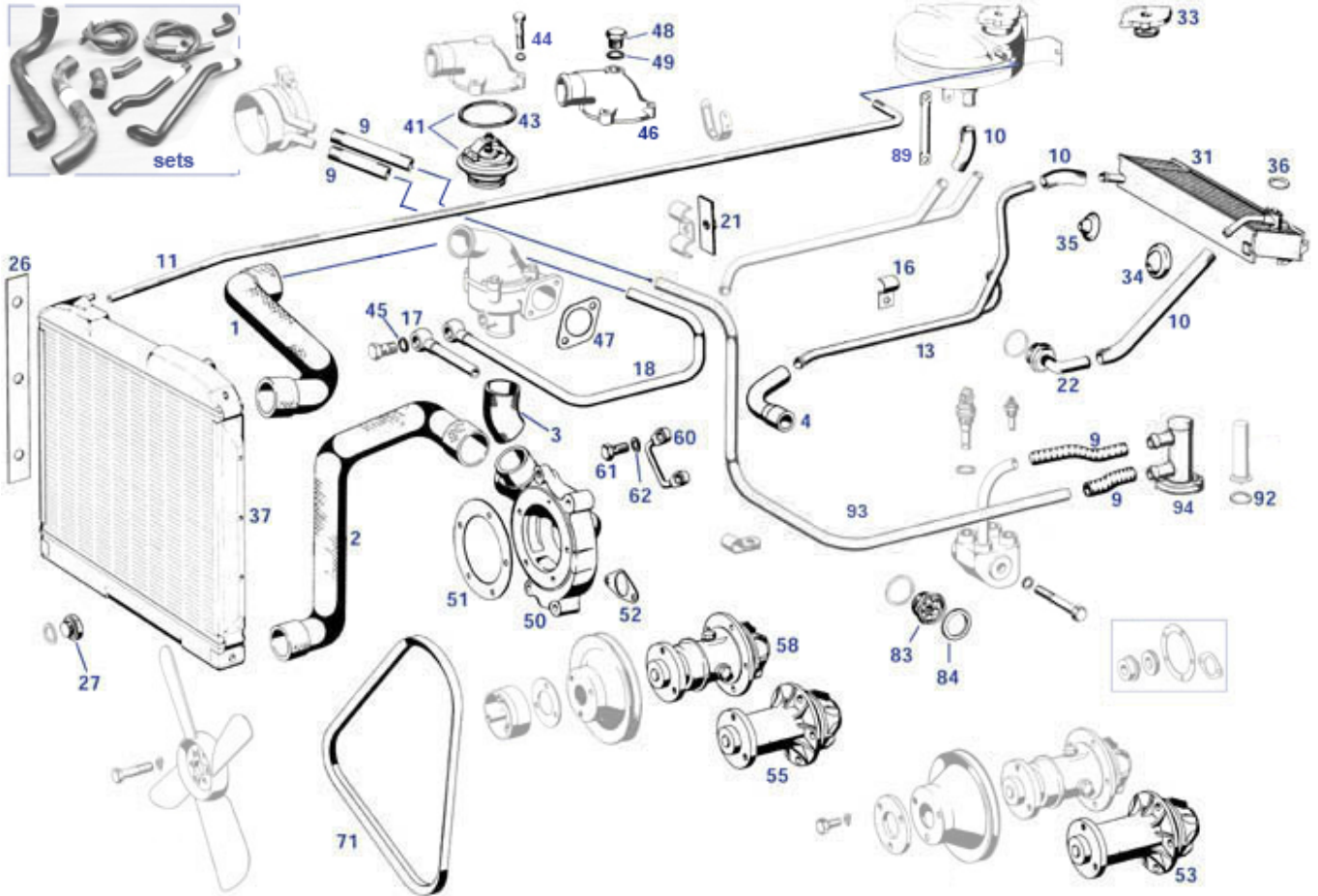


9	HD clamp 45mm 3D-shape zincd steel	<a href="#">249017</a>	6,60 €	9	Clamp 45mm, shape see picture	<a href="#">249817</a>	3,34 €
17	sleeve clamp 40-44mm, fits 249800	<a href="#">949017</a>	10,50 €	249031	Stainl steel rear muffler 113	<a href="#">249031</a>	389,00 €

## 50 Cooling System

### 50.a Cooling System 230SL

50.a Cooling System 230SL

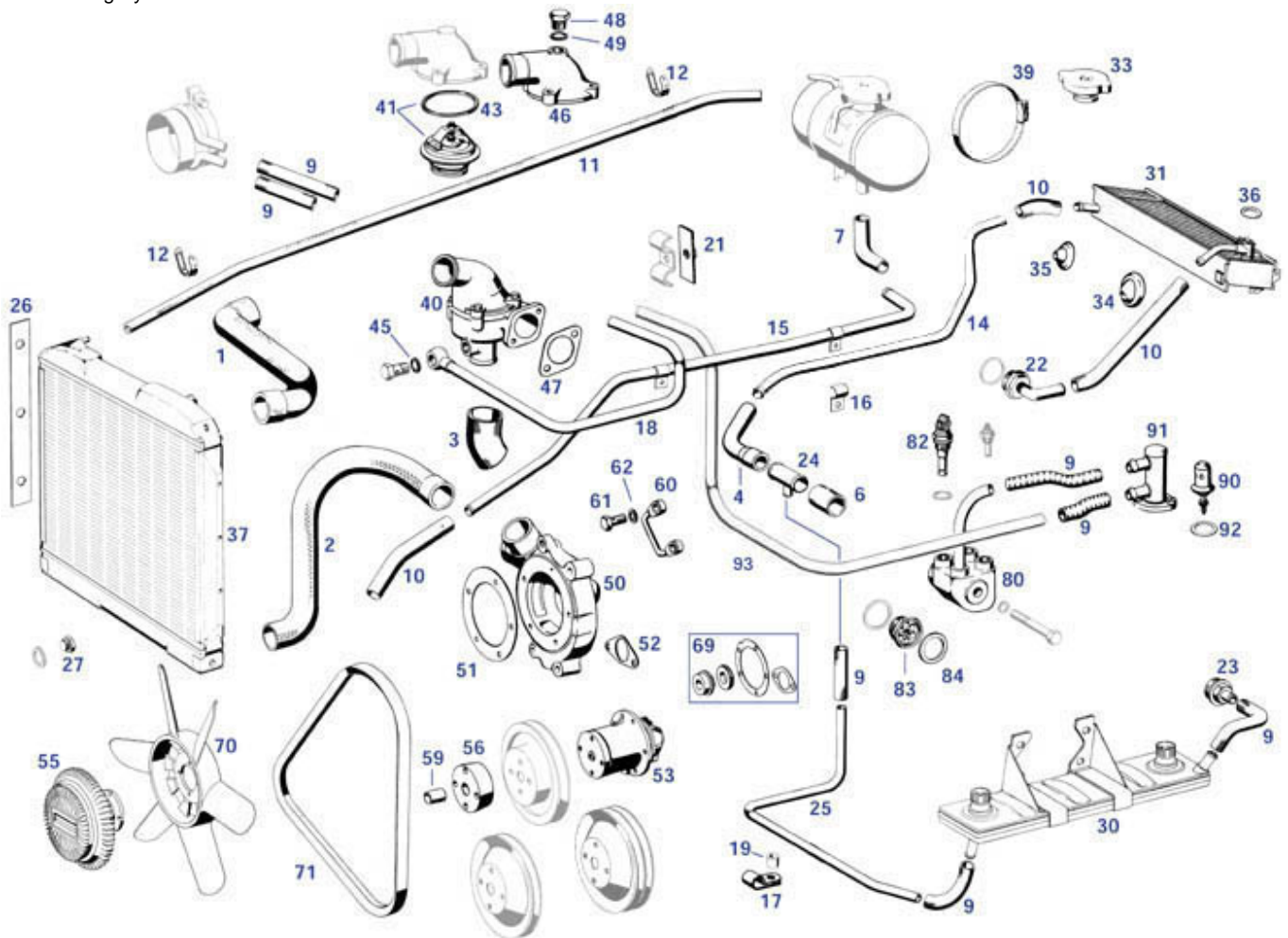


	bolt M8 / hex 10, pump->fan (veh w.distancer) L40	<a href="#">220046</a>	7,14 €	1	Hose,radiator,top	<a href="#">250012</a>	6,25 €
1	Hose clamp 46-54mm	<a href="#">750346</a>	1,08 €	2	Hose, radiator lower, 230SL up to 08.'64	<a href="#">250024</a>	21,60 €
2	Hose,radiator,bottom,late FN	<a href="#">250014</a>	8,83 €	3	Hoseclamp 30 to 45mm	<a href="#">250046</a>	1,25 €
3	Hose,waterpump/thermostat	<a href="#">250004</a>	1,80 €	4	Hose clamp 20-32mm, worm thread style	<a href="#">750042</a>	1,09 €
4	Water hose heater return, diam. reduce	<a href="#">250028</a>	3,87 €	4	CL hose, bent w. reducer, e.g.returnlin	<a href="#">250808</a>	6,38 €
9	1m cooling water hose 12/19mm	<a href="#">250823</a>	7,14 €	10	Water hose, i/D 18mm per metre	<a href="#">250019</a>	19,10 €
11	Water hose, 8/15mm per metre	<a href="#">250016</a>	24,50 €	12	Hose strap, replaces hose clamp	<a href="#">250099</a>	0,55 €
13	Water pipe w junction, 230SL LHD	<a href="#">283083</a>	187,53 €	16	Clamp, rad.water return pipe	<a href="#">250898</a>	1,19 €
16	Clamp, rad.water return pipe	<a href="#">250098</a>	2,86 €	17	A1272000452 Pipe, thermostat to fuel in	<a href="#">220070</a>	229,50 €
18	N/A ! Pipe,t'stat to cold start	<a href="#">220071</a>	44,03 €	22	Elbow, hot water head to heater	<a href="#">220819</a>	115,05 €
27	see 207115 Copper shim	<a href="#">799309</a>	1,06 €	31	We would be happy to advice you Heater radiator overh. used	<a href="#">283818</a>	638,90 €
33	Cap, cooling liquid "ID 100",   W121&113	<a href="#">150017</a>	29,75 €	34	Rubber grommet, inlet	<a href="#">299003</a>	3,55 €
35	Rubber grommet, return	<a href="#">299004</a>	0,50 €	36	Sealing ring, heater valve	<a href="#">283022</a>	2,31 €
37	We would be happy to advice you Radiator,overhauled,manual	<a href="#">250200</a>	959,00 €	37	We would be happy to advice you Radiator,overhauled,automatic	<a href="#">250201</a>	959,00 €
41	Thermostat cartridge/gkt. 83°	<a href="#">220009</a>	16,66 €	41	Thermostat cartridge/gkt. 79°	<a href="#">220008</a>	19,58 €
43	Seal ring	<a href="#">220016</a>	1,31 €	44	Hex bolt w. slot M6, thermostat housin	<a href="#">220018</a>	0,71 €
44	Bolt M6, yellow zined, thermo.housing	<a href="#">220017</a>	0,29 €	45	Seal ring 16x20, copper, e.g. hollow bolts	<a href="#">220013</a>	0,17 €
46	Cap, thermostat housing, latest design (w.extra-hole)	<a href="#">220834</a>	46,99 €	47	Gasket, thermostate	<a href="#">120011</a>	1,32 €

48	Drain plug screw M14 x 1,5 (rad. / eng,...)	<a href="#">250027</a>	2,70 €	49	Seal ring 14mm Alu	<a href="#">207186</a>	1,08 €
50	Housing, water pump M108-M130	<a href="#">220804</a>	83,30 €	51	Gasket, water pump	<a href="#">220006</a>	4,28 €
51	Screw M6 e.g. Bonnet hinges	<a href="#">299289</a>	0,38 €	52	Gasket, housing to engine	<a href="#">220014</a>	1,25 €
53	Water pump, 3 hole, maintenance-free	<a href="#">420020</a>	103,59 €	55	Water pump, L=75mm, 3-hole, non service	<a href="#">220020</a>	99,96 €
60	Pipe,water air venting	<a href="#">220005</a>	29,93 €	61	Hollow screw, air venting	<a href="#">220010</a>	2,48 €
62	Sealing ring ID8, eg. for hollow screw	<a href="#">220011</a>	0,10 €	71	V belt 10 X 875 eg. 230SL Alternator	<a href="#">299106</a>	4,75 €
82	Thermo time swich, read Bosch Literature, F026T03101	<a href="#">907125</a>	154,11 €	83	Fitting, engine to water distributor M127, 129, 130E	<a href="#">220091</a>	31,19 €
89	Support rod, early reservoir 230SL	<a href="#">250039</a>	38,38 €	92	Sealing ring	<a href="#">207149</a>	0,88 €
93	Water pipe, throttle housing to inj-thermostate	<a href="#">220051</a>	119,61 €	93	Bracket, pipe bundle and eng.hangup	<a href="#">220074</a>	26,60 €
94	Housing only, 230SL inj. thermosta	<a href="#">207156</a>	199,54 €	145	Hollow screw,early M16X1,5	<a href="#">220012</a>	6,69 €
120033	sealing ring copper 32	<a href="#">120033</a>	1,31 €	220098	Hex.head screw 8.8 M8 X 80 zinc plated	<a href="#">220098</a>	0,57 €
220118	sealing ring, aluminium 30mm	<a href="#">215032</a>	0,81 €	220118	Seal ring, copper , id 30	<a href="#">220118</a>	1,05 €

## 50.b Cooling System 250SL

50.b Cooling System 250SL

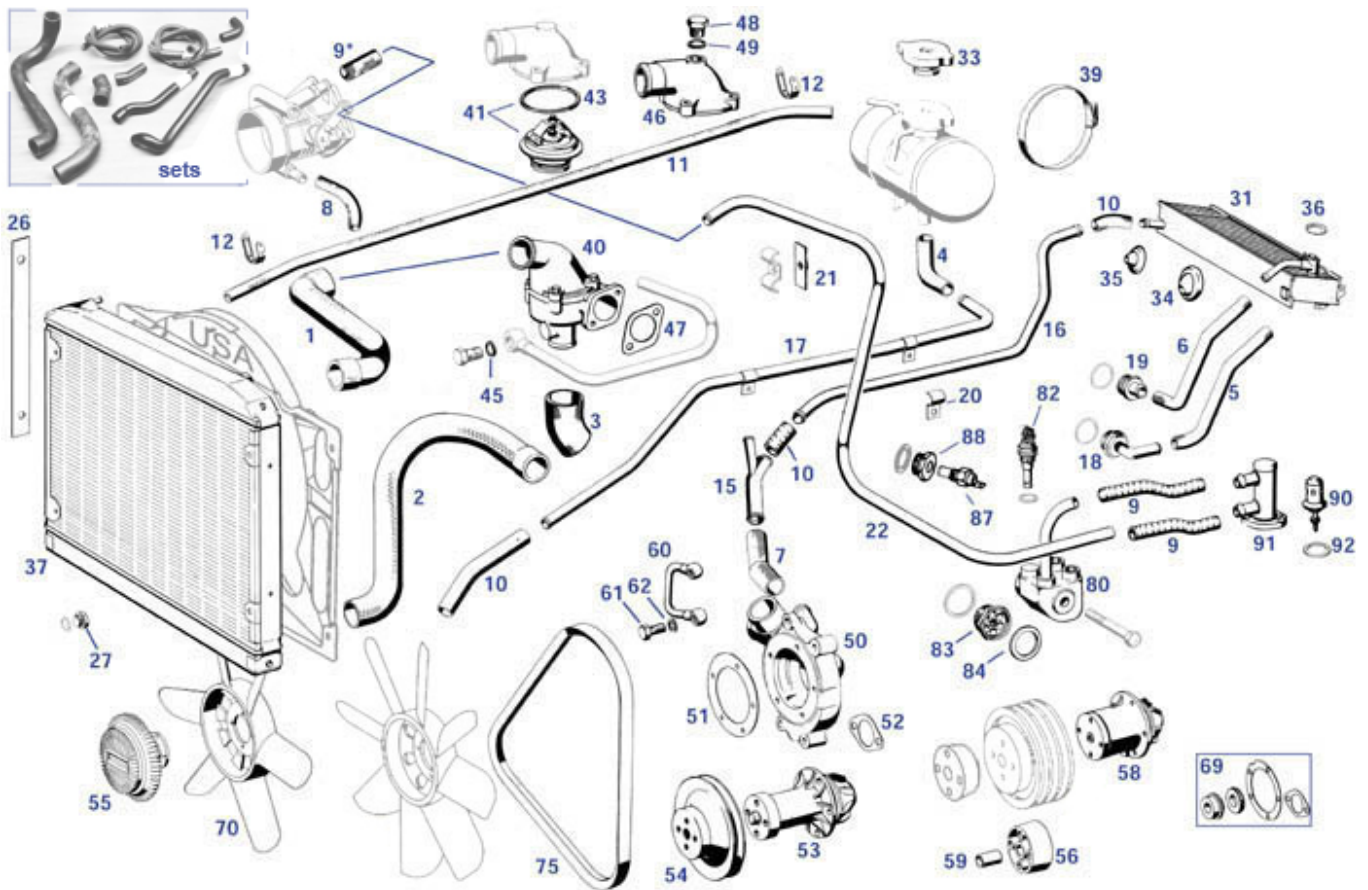


	Radiator, new 250 SL - LHD, ALU-REPRO	<a href="#">250110</a>	670,89 €	1	Hose,radiator,top	<a href="#">250012</a>	6,25 €
1	Hose clamp 46-54mm	<a href="#">750346</a>	1,08 €	2	Hose, radiator, lower, 250/280SL	<a href="#">250015</a>	9,85 €
3	Hose,waterpump/thermostat	<a href="#">250004</a>	1,80 €	3	Hoseclamp 30 to 45mm	<a href="#">250046</a>	1,25 €
4	Water hose heater return, diam. reduce	<a href="#">250028</a>	3,87 €	4	CL hose, bent w. reducer, e.g.returnlin	<a href="#">250808</a>	6,38 €
7	Elbow, comp. tank to radiator	<a href="#">250018</a>	4,22 €	9	1m cooling water hose 12/19mm	<a href="#">250823</a>	7,14 €
10	Water hose, i/D 18mm per metre	<a href="#">250019</a>	19,10 €	11	Water hose, 8/15mm per metre	<a href="#">250016</a>	24,50 €
12	Hose strap, replaces hose clamp	<a href="#">250099</a>	0,55 €	14	Return pipe, version see photo	<a href="#">283085</a>	84,35 €

15	Pipe, comp. tank to radiator	<a href="#">250003</a>	176,19 €	16	Clamp, rad.water return pipe	<a href="#">250898</a>	1,19 €
16	Clamp, rad.water return pipe	<a href="#">250098</a>	2,86 €	17	Bracket clamp, warmup air pipe, waterp.	<a href="#">220087</a>	2,84 €
18	N/A ! Pipe,t'stat to cold start	<a href="#">220071</a>	44,03 €	22	Elbow, hot water head to heater	<a href="#">220819</a>	115,05 €
23	A1272000456 Fitting, oil heat exchanger	<a href="#">201006</a>	42,84 €	24	T-connector, water to oil-cooler	<a href="#">220082</a>	67,89 €
27	see 207115 Copper shim	<a href="#">799309</a>	1,06 €	31	We would be happy to advice you Heater radiator overh. used	<a href="#">283818</a>	638,90 €
33	Cap, cooling liquid "ID 100",   W121&113	<a href="#">150017</a>	29,75 €	34	Rubber grommet, inlet	<a href="#">299003</a>	3,55 €
35	Rubber grommet, return	<a href="#">299004</a>	0,50 €	36	Sealing ring, heater valve	<a href="#">283022</a>	2,31 €
37	We would be happy to advice you Radiator,overhauled,manual	<a href="#">250200</a>	959,00 €	37	We would be happy to advice you Radiator,overhauled,automatic	<a href="#">250201</a>	959,00 €
37	Radiator, new 250 SL - LHD	<a href="#">250010</a>	959,00 €	39	Clamp e.g. Water reservoir late	<a href="#">999996</a>	4,64 €
41	Thermostat cartridge/gkt. 79°	<a href="#">220008</a>	19,58 €	41	Thermostat cartridge/gkt. 83°	<a href="#">220009</a>	16,66 €
43	Seal ring	<a href="#">220016</a>	1,31 €	45	Seal ring 16x20, copper, e.g. hollow bolts	<a href="#">220013</a>	0,17 €
46	Hex bolt w. slot M6, thermostate housin	<a href="#">220018</a>	0,71 €	46	Cap, thermostat housing, latest design (w.extra-hole)	<a href="#">220834</a>	46,99 €
46	Bolt M6, yellow zincd, thermo.housing	<a href="#">220017</a>	0,29 €	47	Gasket, thermostate	<a href="#">120011</a>	1,32 €
48	Drain plug screw M14 x 1,5 (rad. / eng,..)	<a href="#">250027</a>	2,70 €	49	Seal ring 14mm Alu	<a href="#">207186</a>	1,08 €
50	Housing, water pump M108-M130	<a href="#">220804</a>	83,30 €	51	Screw M6 e.g. Bonnet hinges	<a href="#">299289</a>	0,38 €
51	Gasket, water pump	<a href="#">220006</a>	4,28 €	52	Gasket, housing to engine	<a href="#">220014</a>	1,25 €
53	Water pump M129 div., M130A/C, 127-Visco	<a href="#">220003</a>	65,27 €	53	Waterpump M129, M130 A/C, M129 Visco	<a href="#">220803</a>	87,35 €
53	Water pump 90mm, most 280 (113 108 107)	<a href="#">220025</a>	38,52 €	53	Water pump M129 div., M130A/C, 127-Visco	<a href="#">220903</a>	88,71 €
55	Visco fan coupling, M129,130E,110, DASIS	<a href="#">220630</a>	129,89 €	55	Visco fan coupling, M129,130E,110, FEBI	<a href="#">220530</a>	147,25 €
55	Bolt M8 x 15 hex 10, fan pulley to water pump	<a href="#">220049</a>	5,97 €	55	bolt M8 / hex 10, pump->fan (veh w.distancer) L40	<a href="#">220046</a>	7,14 €
55	Visco fan coupling, M129,130E,110, Meyle	<a href="#">220030</a>	93,19 €	60	Pipe,water air venting	<a href="#">220005</a>	29,93 €
61	Hollow screw, air venting	<a href="#">220010</a>	2,48 €	62	Sealing ring ID8, eg. for hollow screw	<a href="#">220011</a>	0,10 €
71	V belt 10 x 925 eg. 250SL LHD series	<a href="#">299107</a>	3,69 €	71	V belt 10 X 913	<a href="#">799115</a>	6,10 €
82	Thermo time swich, read Bosch Literature, F026T03101	<a href="#">907125</a>	154,11 €	83	Fitting, engine to water distributor M127, 129, 130E	<a href="#">220091</a>	31,19 €
90	Thermostat,inj.,'67->, incl. steel seal	<a href="#">207121</a>	185,46 €	91	Housing,Thermo,inj.,250-280SL	<a href="#">207122</a>	210,94 €
92	Ring, seat, fits thermostate 207121	<a href="#">207151</a>	35,99 €	93	Bracket, pipe bundle and eng.hangup	<a href="#">220074</a>	26,60 €
93	Water pipe, throttle housing to inj-thermostate	<a href="#">220051</a>	119,61 €	145	Hollow screw,early M16X1,5	<a href="#">220012</a>	6,69 €
120033	sealing ring copper 32	<a href="#">120033</a>	1,31 €	220098	Hex.head screw 8.8 M8 X 80 zinc plated	<a href="#">220098</a>	0,57 €
220118	sealing ring, aluminium 30mm	<a href="#">215032</a>	0,81 €	220118	Seal ring, copper , id 30	<a href="#">220118</a>	1,05 €

## 50.c Cooling System 280SL

50.c Cooling System 280SL



	Temperature switch 100° e.g. A/C fan, FEBI	<a href="#">207963</a>	8,50 €	clamp	Mounting clamp, fan shroud if used	<a href="#">250219</a>	58,88 €
1	Hose clamp 46-54mm	<a href="#">750346</a>	1,08 €	1	Hose,radiator,top	<a href="#">250012</a>	6,25 €
2	Hose, radiator, lower, 250/280SL	<a href="#">250015</a>	9,85 €	3	Hoseclamp 30 to 45mm	<a href="#">250046</a>	1,25 €
3	Hose,waterpump/thermostat	<a href="#">250004</a>	1,80 €	4	Elbow, comp. tank to radiator	<a href="#">250018</a>	4,22 €
5	CL hose, heater, 1x / 2x	<a href="#">250825</a>	20,23 €	6	CL hose, heater (feed), from 3'70	<a href="#">250822</a>	20,23 €
7	Water hose .044 htr ret-pipe to pump FN	<a href="#">250809</a>	6,57 €	7	Heater return hose, S-shape w.reducer	<a href="#">250806</a>	13,01 €
7	Water hose heater return, diam. reduce	<a href="#">250028</a>	3,87 €	7	Hose clamp 20-32mm, worm thread style	<a href="#">750042</a>	1,09 €
8	Hose,dist./cold start sys./Fluid reserv	<a href="#">250021</a>	0,69 €	9	1m cooling water hose 12/19mm	<a href="#">250823</a>	7,14 €
10	CL hose, bent, no reducer, heater retur	<a href="#">250829</a>	26,03 €	10	Water hose, i/D 18mm per metre	<a href="#">250019</a>	19,10 €
11	Water hose, 8/15mm per metre	<a href="#">250016</a>	24,50 €	12	Hose strap, replaces hose clamp	<a href="#">250099</a>	0,55 €
15	Junction pipe "Y-shape", water, e.g.130.983 from M...	<a href="#">250830</a>	95,20 €	16	Pipe, return, heater, see picture	<a href="#">283086</a>	71,82 €
16	Return pipe, version see photo	<a href="#">283085</a>	84,35 €	17	Pipe, comp. tank to radiator	<a href="#">250003</a>	176,19 €
18	Elbow, hot water head to heater	<a href="#">220819</a>	115,05 €	19	water fitting M32 fitting hose 250822	<a href="#">220122</a>	45,08 €
19	water fitting M30 fitting 12mm hose	<a href="#">220120</a>	45,08 €	20	Clamp, rad.water return pipe	<a href="#">250098</a>	2,86 €
20	Clamp, rad.water return pipe	<a href="#">250898</a>	1,19 €	21	Bracket, pipe bundle and eng.hangup	<a href="#">220074</a>	26,60 €
22	Pipe,coldstart/inj.pump early M130	<a href="#">220830</a>	31,54 €	22	Pipe,coldstart/inj.pump late M130	<a href="#">220832</a>	32,13 €
27	Copper seal ring	<a href="#">207115</a>	0,18 €	27	Drain plug screw M14 x 1,5 (rad. / eng...)	<a href="#">250027</a>	2,70 €
31	We would be happy to advice you Heater radiator overh. used	<a href="#">283818</a>	638,90 €	33	Cap, cooling liquid "ID 100",   W121&113	<a href="#">150017</a>	29,75 €
34	Rubber grommet, inlet	<a href="#">299003</a>	3,55 €	35	Rubber grommet, return	<a href="#">299004</a>	0,50 €
36	Sealing ring, heater valve	<a href="#">283022</a>	2,31 €	37	Radiator 280SL Automatic (LHD)	<a href="#">250005</a>	1.050,00 €
37	Oil cooler, 280SL FN, Alu Repro	<a href="#">250011</a>	214,99 €	37	Oil cooler, 280SL FN, Alu Repro	<a href="#">250811</a>	303,45 €
37	We would be happy to advice you Radiator,overhauled,automatic	<a href="#">250201</a>	959,00 €	39	Clamp e.g. Water reservoir late	<a href="#">999996</a>	4,64 €
41	Thermostat cartridge/gkt. 83°	<a href="#">220009</a>	16,66 €	41	Thermostat cartridge/gkt. 79°	<a href="#">220008</a>	19,58 €
43	Seal ring	<a href="#">220016</a>	1,31 €	45	Seal ring 16x20, copper, e.g. hollow	<a href="#">220013</a>	0,17 €

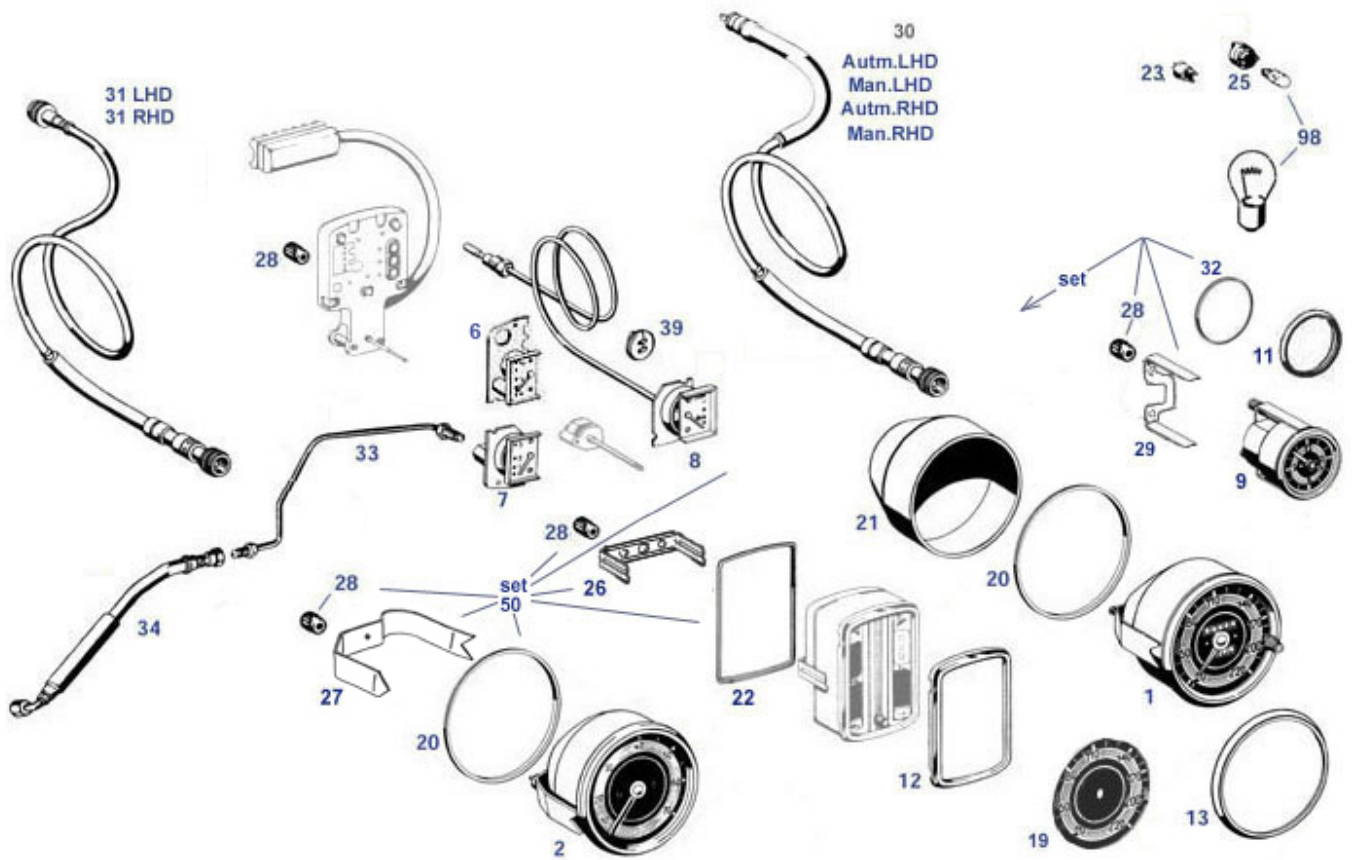
46	Cap, thermostat housing, latest design (w.extra-hole)	<a href="#">220834</a>	46,99 €	46	bolts		
					Bolt M6, yellow zincd, thermo.housing	<a href="#">220017</a>	0,29 €
46	Hex bolt w. slot M6, thermostate housin	<a href="#">220018</a>	0,71 €	47	Gasket, thermostate	<a href="#">120011</a>	1,32 €
49	Seal ring 14mm Alu	<a href="#">207186</a>	1,08 €	50	Housing, water pump M108-M130	<a href="#">220804</a>	83,30 €
51	Screw M6 e.g. Bonnet hinges	<a href="#">299289</a>	0,38 €	51	Gasket, water pump	<a href="#">220006</a>	4,28 €
52	Gasket, housing /engine M130	<a href="#">220007</a>	0,81 €	53	Water pump 280SL/SE, 107: M110, 90mm	<a href="#">220825</a>	83,60 €
53	Water pump 90mm, most 280 (113 108 107)	<a href="#">220025</a>	38,52 €	55	Visco fan coupling, M129,130E,110, FEBI	<a href="#">220530</a>	147,25 €
55	Visco fan coupling, M129,130E,110, DASIS	<a href="#">220630</a>	129,89 €	55	Visco fan coupling, M129,130E,110, Meyle	<a href="#">220030</a>	93,19 €
55	bolt M8 / hex 10, pump->fan (veh w.distancer) L40	<a href="#">220046</a>	7,14 €	58	Water pump M129 div., M130A/C, 127-Visco	<a href="#">220903</a>	88,71 €
58	Waterpump M129, M130 A/C, M129 Visco	<a href="#">220803</a>	87,35 €	58	Water pump M129 div., M130A/C, 127-Visco	<a href="#">220003</a>	65,27 €
60	Pipe,water air venting	<a href="#">220005</a>	29,93 €	61	Hollow screw, air venting	<a href="#">220010</a>	2,48 €
62	Sealing ring ID8, eg. for hollow screw	<a href="#">220011</a>	0,10 €	75	V' belt, 10 x 800	<a href="#">299110</a>	8,98 €
75	V' belt, 10 x 935	<a href="#">299109</a>	7,79 €	75	V belt 10 X 900	<a href="#">299105</a>	3,69 €
75	V belt 13 X 1060	<a href="#">299101</a>	7,25 €	82	Thermo time swich, read Bosch Literature, F026T03101	<a href="#">907125</a>	154,11 €
83	Fitting, engine to water distributor M127, 129, 130E	<a href="#">220091</a>	31,19 €	90	Thermostat,inj.,'67->, incl. steel seal	<a href="#">207121</a>	185,46 €
91	Housing,Thermo,inj.,250-280SL	<a href="#">207122</a>	210,94 €	92	Ring, seat, fits thermostate 207121	<a href="#">207151</a>	35,99 €
145	Hollow screw,early M16X1,5	<a href="#">220012</a>	6,69 €	120033	sealing ring copper 32	<a href="#">120033</a>	1,31 €
120033	Seal ring, copper , id 30	<a href="#">220118</a>	1,05 €	220098	Hex.head screw 8.8 M8 X 80 zinc plated	<a href="#">220098</a>	0,57 €



## 54 Electrical Equipment at Body

### 54.a Instruments

#### 54.a Instruments

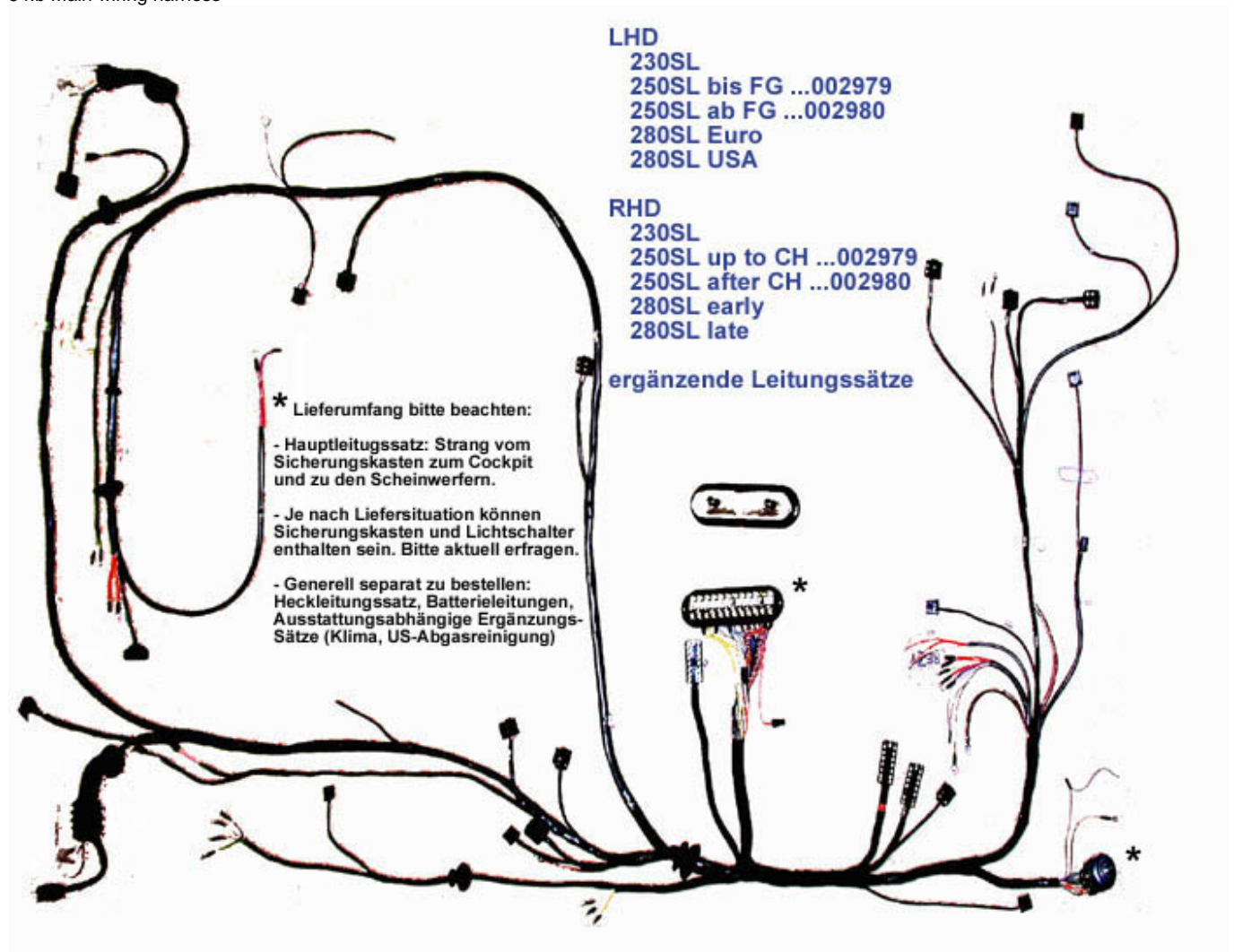


Autm.RH rubber seal, speedo cable, if flange D with furrow, small	<a href="#">254118</a>	10,89 €	Autm.LH Speedo flex shaft,auto D	<a href="#">254090</a>	42,26 €
Man.LHD rubber seal, speedo cable, if flange with furrow, large	<a href="#">254119</a>	10,71 €	Autm.LH Speedo cable LHD Autm.,Repro, like original with seal.	<a href="#">254690</a>	85,00 €
Knurled chrome nut, glove box switch	<a href="#">254109</a>	14,55 €	Autm.LH Speedo cable LHD D Autm.,Repro,simplified	<a href="#">254790</a>	63,13 €
Man.LHD Speedo flex shaft>manual	<a href="#">254100</a>	38,35 €	6 Fuel gauge late, fits tube style sender, repro	<a href="#">254819</a>	298,98 €
7 Label: dial faces oil pressure and temperature	<a href="#">254897</a>	15,99 €	7 Fuel gauge early, fits float-link sender	<a href="#">254818</a>	273,69 €
7 Oil pressure gauge, Repro	<a href="#">254817</a>	246,98 €	8 °Celsius gauge w.capillar, Repro, sensor too big	<a href="#">254016</a>	264,38 €
9 Clock Pagoda, Repro	<a href="#">254800</a>	298,98 €	11 Chrome bezel, clock early (edge profile)	<a href="#">254094</a>	72,99 €
11 O-ring e.g. clock underlay	<a href="#">298754</a>	1,25 €	11 Chrome bezel, late clock (round profile)	<a href="#">254294</a>	114,00 €
12 Chrome frame, square bezel	<a href="#">254093</a>	219,90 €	13 Chrome knob, trip-ctr-reset	<a href="#">154083</a>	57,89 €
13 Chrome ring, speedo/rev.counter	<a href="#">154091</a>	65,45 €	13 Glass, rev counter	<a href="#">154081</a>	29,00 €
13 Glass, speedometer 230-280SL	<a href="#">254282</a>	29,75 €	19 Speedo dial face KM/h as illustrated	<a href="#">254194</a>	221,99 €
20 Rubberseal, speedo/tacho.	<a href="#">254030</a>	9,22 €	21 Rubber housing, speedometer	<a href="#">254129</a>	91,99 €
21 Rubber housing, rev.-counter	<a href="#">254130</a>	92,23 €	22 Rubberseal, central intruments frame	<a href="#">254027</a>	10,54 €
22 Glass, square instrument	<a href="#">254283</a>	47,60 €	23 bulb holder BA9s fits lamp 2W	<a href="#">154048</a>	6,55 €
25 Lamp socket 107, 108, ..	<a href="#">854048</a>	12,79 €	26 Bracket / Clamp f.square instr.housing	<a href="#">254215</a>	19,25 €
27 Bracket / Clamp Rev.-counter LHD	<a href="#">254212</a>	21,00 €	27 Bracket / Clamp Speedometer	<a href="#">254210</a>	17,41 €
28 Milled nut M4 Instruments	<a href="#">254197</a>	4,89 €	28 milled nut M4, as illustrated	<a href="#">954197</a>	1,02 €
28 Hex Nut, M4	<a href="#">799919</a>	0,20 €	29 Clamp, clock	<a href="#">254216</a>	15,86 €

31 LHD	Tachometer Cable - 1300mm	<a href="#">254200</a>	46,30 €	33	Oil line LHD,press.gauge->'67	<a href="#">254015</a>	65,40 €
34	Hose, Oil pressure gauge line	<a href="#">254923</a>	64,44 €	39	Rbr grommet ../24,2 hole, revcables, oil/temp-pipe	<a href="#">299009</a>	3,61 €
98	Bulb 12V / 10W, torpedo, total length 44	<a href="#">299094</a>	0,51 €	98	Light bulb 12V/2W BA9s, long shape	<a href="#">299095</a>	3,45 €
98	Bulb, 35W, Fog light	<a href="#">299093</a>	8,32 €	98	Bulb 1.2W, glass socket, switch-knob, cockpit	<a href="#">299097</a>	1,79 €
98	Bulb 12V / 5W, torpedo, total length 38	<a href="#">299098</a>	1,54 €	98	Bulb, parking light, 12V/4W, BA9S	<a href="#">299099</a>	1,39 €
98	Bulb, 40/45W, Bilux	<a href="#">299092</a>	3,99 €	98	Bulb, 55W Halogen H3,fog light	<a href="#">299091</a>	4,52 €
98	Bulb, 55W H1, e.g. 113 if Halogen equipped	<a href="#">299090</a>	2,89 €	98	Bulb 12V/18W direction indicator	<a href="#">299087</a>	3,33 €
98	Bulb 12V / 21W direction indicator	<a href="#">299085</a>	1,25 €	98	Bulb 12V / 3W, torpedo, total length 30	<a href="#">226102</a>	2,53 €
98	Bulb, e.g. trunk light	<a href="#">282033</a>	2,50 €	98	light bulb 12V/2W, BA9s, eg. Instruments	<a href="#">254033</a>	2,20 €
98	bulb 3W Philips	<a href="#">299696</a>	0,92 €	98	Bulb, passenger compt. 3W, NoName	<a href="#">299096</a>	1,79 €

## 54.b Main wiring harness

54.b Main wiring harness

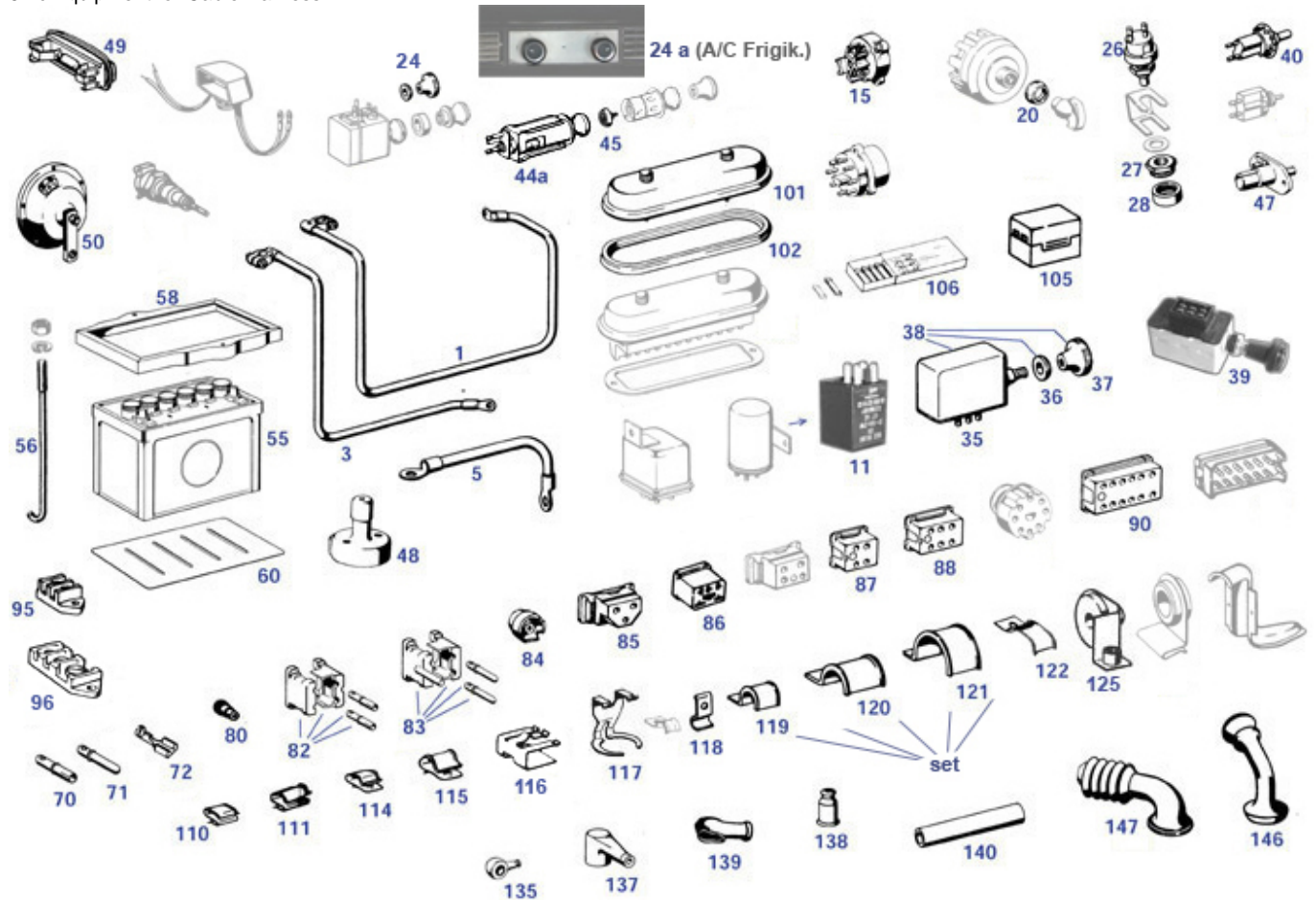


	Wiring, starter to terminal at oil pan ground strapß 400mm	<a href="#">254167</a>	116,85 €	weitere	Rear wire harness 280SL USA	<a href="#">254145</a>	484,98 €
		<a href="#">354245</a>	60,99 €	weitere	Wire,"Hirschmann"antennaa,1xnut-end,500	<a href="#">999975</a>	40,66 €
weitere	Wire,"Hirschmann"antenna,1xnut-end,150c	<a href="#">999974</a>	22,96 €		Adater wire fits new pump to old loom	<a href="#">286540</a>	32,00 €
weitere	Wiring, rr fog light	<a href="#">254292</a>	151,73 €	weitere	A1135401209 Wire set transistor	<a href="#">254291</a>	160,00 €

weitere	Wireset US-spec to gearlinkage, late	<a href="#">254161</a>	458,99 €	ignitio	Wireset US-spec to autom.box	<a href="#">254160</a>	429,00 €
weitere	Rear wire harness 230SL late, (.042 from 012467)	<a href="#">254142</a>	425,00 €	weitere	Rear wire harness 230SL early	<a href="#">254041</a>	419,00 €
weitere	Rear wire harness 250-280SL	<a href="#">254042</a>	429,99 €	230SL LHD	Harness,LHD 230SL, auto FN	<a href="#">254037</a>	2.199,00 €
230SL LHD	Harness, LHD, 230SL, manual FN	<a href="#">254136</a>	2.199,00 €	230SL RHD	Harness,RHD,230SL, manualFN	<a href="#">254134</a>	2.299,50 €
230SL RHD	Harness,RHD 230SL, autoFN	<a href="#">254135</a>	2.299,50 €	250SL LHD spät	Harness,LHD,euro, man. FN	<a href="#">254039</a>	2.199,00 €
250SL LHD spät	Harness,LHD, auto. FN	<a href="#">254040</a>	2.199,00 €	250SL RHD	Harness,RHD,250SL, autoFNer.	<a href="#">254139</a>	2.299,50 €
250SL RHD	Harness,RHD,250SL, man.FNer.	<a href="#">254138</a>	2.299,50 €	250SL RHD late	Harness,RHD, auto.FN	<a href="#">254143</a>	2.299,50 €
250SL LHD	Harness,LHD,250SL, auto FN	<a href="#">254038</a>	2.199,00 €	250SL RHD late	Harness,RHD, manualFN	<a href="#">254141</a>	2.299,50 €
250SL LHD	Harness,LHD,250SL, man.FNer.	<a href="#">254137</a>	2.199,00 €	280SL USA	Harness,LHD,280SL,USA,auto,FN	<a href="#">254140</a>	2.199,00 €
280SL RHD late	Harness,RHD,280SL,man,FNlt	<a href="#">254152</a>	2.299,50 €	280SL USA	Harness,LHD,280SL,USA,man.,FN	<a href="#">254151</a>	2.199,00 €

## 54.c Equipment for Cable Harness

54.c Equipment for Cable Harness



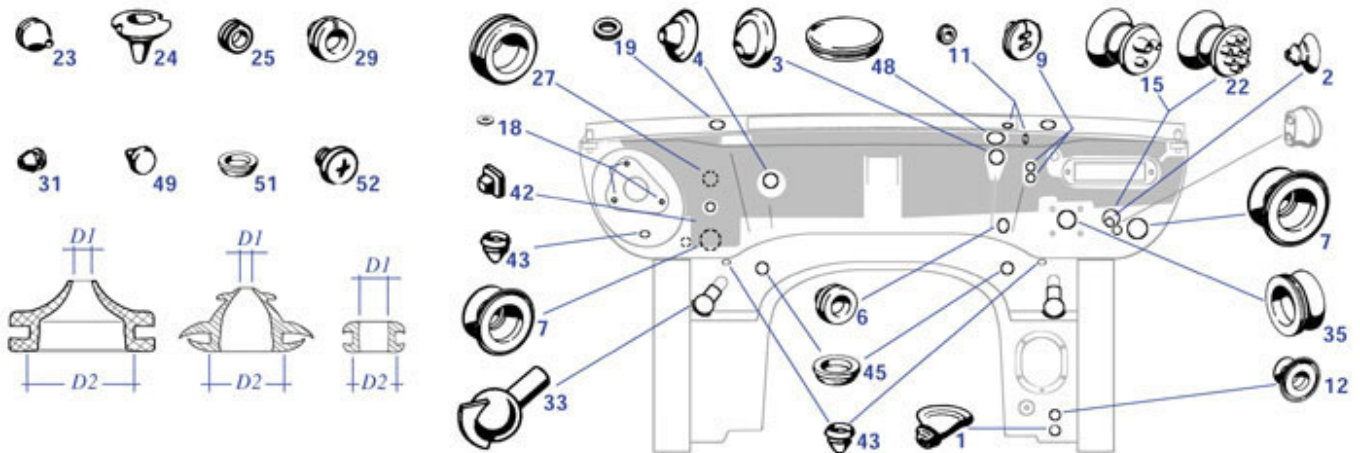
regulator, copy of old design	<a href="#">254521</a>	41,92 €	ground strapß 400mm	<a href="#">354245</a>	60,99 €
Marelli ignition coil MB 6-Cylinder	<a href="#">254411</a>	31,59 €	8-pole housing (plastic base & cap), no metal bushings	<a href="#">254181</a>	8,69 €
6-pole housing (plastic base & cap), no metal bushings	<a href="#">254180</a>	8,45 €	Turn signal transmitter (metal), Bosch	<a href="#">182001</a>	76,90 €
4-pole housing (plastic base & cap), no metal bushings	<a href="#">254883</a>	8,09 €	Knurled chrome nut, glove box switch	<a href="#">254109</a>	14,55 €
Cover, for wire terminal @ autom-	<a href="#">254009</a>	33,24 €	A0035452626 Solder bushing	<a href="#">854055</a>	0,58 €

	housing				4mm, connect		
	Extr. reg.,alternators '65->'74	<a href="#">254721</a>	29,85 €		ground strap 40cm, eyes 8 + 6mm, w.prot hose	<a href="#">354246</a>	39,50 €
	2-pole housing (plastic base & cap), no metal bushings	<a href="#">254182</a>	7,97 €		Ign coil Bosch 6-Cyl 108-113.. late	<a href="#">254611</a>	80,55 €
1	Starter wire, long (157cm)	<a href="#">254044</a>	104,90 €	1	Starter wire 230SL, short (148cm)	<a href="#">254244</a>	97,50 €
1	battery terminal screw M8 X28	<a href="#">554010</a>	0,62 €	3	Battery earth strap (-)	<a href="#">254245</a>	86,45 €
5	Ground strap, engine to body, M12 banjo	<a href="#">254049</a>	85,68 €	5	Ground wire, crossmember->engine bolts M10 crimp connector	<a href="#">254249</a>	59,99 €
10	Universal-Relay "flip-flop", not A0005426819	<a href="#">982345</a>	62,00 €	11		<a href="#">997992</a>	0,43 €
11	Flasher relay, see pict, pin position changed	<a href="#">254060</a>	39,91 €	11	Turn signal transmitter	<a href="#">254760</a>	42,39 €
11	universal flasher relay 12V 4x21W Bosch, flat pole	<a href="#">582070</a>	42,39 €	11	Housing, fits up to 5 crimp-shoes	<a href="#">554070</a>	0,71 €
15	Ignition Switch   R113 - 1962-1967	<a href="#">246090</a>	98,92 €	16	A1164620093 Switch.ignition ca 67-80	<a href="#">246091</a>	79,99 €
18	Shim 4,3x8	<a href="#">799939</a>	0,19 €	18	teethed washer 4,3mm	<a href="#">999037</a>	0,13 €
20	Nut, chrome, light switch	<a href="#">254043</a>	12,79 €	23	Switch, heater blower 4-Pin=3-Pole, reproduction	<a href="#">282024</a>	334,99 €
24	A1108201592 Knob, heater blower switch	<a href="#">282026</a>	59,99 €	24	Knob small, heater blower switch, see picture	<a href="#">382826</a>	61,90 €
24a	Knob, A/C-vent, green dot	<a href="#">382027</a>	52,30 €	24a	Knob A/C Temp, blue dot	<a href="#">382028</a>	41,80 €
24	Knob large, heater blower switch, Repro w.chrome nut	<a href="#">282726</a>	61,90 €	24	Knob, heater blower switch, Repro, optical shortcomings	<a href="#">282826</a>	68,29 €
24	Knob,small,heater blower switch, see picture	<a href="#">382825</a>	61,90 €	26	Switch,stop light, 2-pole, current style	<a href="#">254019</a>	21,00 €
26	brake light swich, 4-pole, see illustration	<a href="#">954019</a>	37,26 €	28	plastic ring, pedal stop @ brake switch	<a href="#">254107</a>	26,18 €
30	A0015450211 Contact switch, glovebox	<a href="#">254101</a>	402,03 €	36	Escutcheon, emerg. flasher switch	<a href="#">282035</a>	10,28 €
39	Relay, flasher, retrofit., plastic knob, Bosch	<a href="#">982034</a>	157,15 €	39	pigtail harness fits emergency switch 982034	<a href="#">982035</a>	49,03 €
39	Upgr. hazzard flasher Hella with wiring	<a href="#">982834</a>	150,78 €	40	Adater wire fits new pump to old loom	<a href="#">286540</a>	32,00 €
40	Switch, flat connectors	<a href="#">282031</a>	10,21 €	40	Con.housing, 2 pole flat	<a href="#">254103</a>	0,54 €
40	Door switch round pin connectors	<a href="#">282721</a>	60,75 €	44a	Cigar lighter complete '67->	<a href="#">282048</a>	265,00 €
44a	complete Cigar lighter (up to 1967)	<a href="#">282047</a>	205,99 €	45	Spiral element, fits genuine cigar lighter	<a href="#">154049</a>	18,49 €
46	Knob, Design 1968, M5, fits Cigar lighters M5	<a href="#">254843</a>	45,99 €	47	Trunk(boot) light and switch '59-'85	<a href="#">282022</a>	40,58 €
47	pan head tapping screw zinc plated 3,9 X 13	<a href="#">188889</a>	0,25 €	48	foot operted switch	<a href="#">454012</a>	32,68 €
49	Interior light, simplified	<a href="#">282020</a>	11,90 €	50	Rest ! 1 pair retro horns, chrome, imported	<a href="#">454013</a>	39,27 €
50	Screw, M4X6 Phillips, e.g switch	<a href="#">799546</a>	0,24 €	56	Spring washer, fits M6	<a href="#">181028</a>	0,18 €
56	Clamp bolt, battery	<a href="#">254025</a>	7,97 €	56	Hex nut M6, yellow zinc.	<a href="#">181023</a>	0,18 €
58	Batteryframe, upper, repro, paint unfinished	<a href="#">254026</a>	64,31 €	58	battery hold down, R113, Repro	<a href="#">254826</a>	65,45 €
60	battery tray floor	<a href="#">254010</a>	14,07 €	70	Sold on sleeve 4mm	<a href="#">254055</a>	2,69 €
70	contact bushing 4mm brass, silver plated	<a href="#">254855</a>	1,40 €	71	metal pin f. el. connectors	<a href="#">754054</a>	0,77 €
72	Wire Connector, 90°, 9,5mm wide, e.g. generators	<a href="#">754187</a>	2,38 €	83	Set 2-pole-connector (m), narrow style	<a href="#">754158</a>	10,92 €
83	part of housg. 2-pole male connector	<a href="#">254087</a>	5,12 €	83	part of housg, el. conn.	<a href="#">954945</a>	2,20 €
84	Housing for Bilux/H4 connector	<a href="#">182042</a>	4,74 €	84	H4 Connector housg w.3x flag crimps	<a href="#">282041</a>	5,83 €
85	flat crimp shoe, with nose, female, ... 2,5mm²	<a href="#">754055</a>	0,65 €	85	Plug hsnng,Regulator, 3xflat	<a href="#">254080</a>	7,28 €
88	as long as stock lasts! el. connector (fem) 6-pole, kit,	<a href="#">254984</a>	27,67 €	90	Terminal, 12 bushings, hole distance 9mm	<a href="#">254862</a>	41,00 €
90	Terminal, 12 bushings, hole distance 8mm	<a href="#">254262</a>	41,00 €	91	contact pin 4mm brass silver plated	<a href="#">754956</a>	0,54 €
95	2 pole terminal	<a href="#">154052</a>	44,85 €	96	A0005466541 Terminal block, 3 pole	<a href="#">254064</a>	29,99 €
97	Plug socket 12V/16A, universal, non-MB, non-Boschl	<a href="#">554867</a>	8,83 €	97	A0005451525 Socket, engine compartment	<a href="#">254070</a>	42,84 €
100	Fuse box without cap, 110,...	<a href="#">354024</a>	539,93 €	100	Fuse box without cap, 113 (for 2 short fuses)	<a href="#">254024</a>	539,93 €
100	Fuse box without cap, 108 (for 2	<a href="#">854024</a>	577,21 €	101	Cover, fuse box 108-113 div..., as	<a href="#">254965</a>	87,96 €

101	short fuses) Cover, fuse box 108-113 div., Repro	<a href="#">254065</a>	73,73 €	102	genuine Seal, fuse box cover	<a href="#">254854</a>	11,71 €
104	spring washer mech. zinc plated B4	<a href="#">799926</a>	0,12 €	104	Underlay, fuse box @ firewall	<a href="#">254853</a>	10,20 €
104	Phillips screw, semicircular head, M4 x 10	<a href="#">990107</a>	0,18 €	105	Fuse box, additional,2 fuses, cap with screw	<a href="#">254099</a>	9,71 €
106	25Amp fuse, short version, NOS	<a href="#">258991</a>	5,69 €	110	Spring clip for Rt.+Lt. cable	<a href="#">254071</a>	0,83 €
111	Clip, cable	<a href="#">254073</a>	1,09 €	114	clip, e.g. wire fixture 190SL, R113, R/C107	<a href="#">254874</a>	1,50 €
115	Clip, similar 0009883478, hoses, wires	<a href="#">254075</a>	1,00 €	116	Clip for wire harness	<a href="#">254072</a>	7,97 €
117	Clamp at connector "kickdown- switch"	<a href="#">254172</a>	63,19 €	118	Clamp, e.g. oil-pipe, wires	<a href="#">199025</a>	4,22 €
119	Clamp, e.g. wiring, inner width 15mm	<a href="#">254069</a>	5,65 €	120	clamp, ca. 25mm, wires	<a href="#">199023</a>	7,32 €
120	Clamp,pipe,under body,rear	<a href="#">247053</a>	7,69 €	121	Clamp, wiring near A-pillar (inn- width 3	<a href="#">254168</a>	7,54 €
122	Clamp, bulkhead	<a href="#">242058</a>	2,76 €	126	Rubber grommet 11/30, blue silicon rubber	<a href="#">299517</a>	1,59 €
135	Rubber dust boot (at Gen. .)	<a href="#">254051</a>	3,25 €	135	Grommet for Fuel Pump Wiring	<a href="#">299018</a>	2,53 €
137	Rubber Boot on to Theroswitch	<a href="#">254125</a>	9,39 €	138	Prot.sleeve ign.leads -> distributor	<a href="#">215815</a>	2,73 €
139	Rubber cap, starter wire, small	<a href="#">754026</a>	6,14 €	139	Cap, starter terminal	<a href="#">154056</a>	5,71 €
139	Rubber Boot on Starter Motor and Alternator	<a href="#">254126</a>	7,16 €	141	wire strap with rivet plug, short (120mm)	<a href="#">554087</a>	1,26 €
141	wire strap with rivet plug, 160mm	<a href="#">854087</a>	1,29 €	146	Tube,prt.,head lamp cable,r.h.	<a href="#">254046</a>	24,29 €

## 54.d Rubber Grommets

### 54.d Rubber Grommets



Needed grommet not found ?  
Pls. send sample / picture / measures of D1/D2  
Die gesuchte Gummitülle ist nicht dabei ?  
Schicken Sie uns Muster / Bild / Abmessungen D1/D2

Set Firewall Plugs  
Satz Stirnwandtüllen



This table contains normal equipped LHD-firewall. Perhaps you may find a required item more easily here:

[Other MB categories](#)

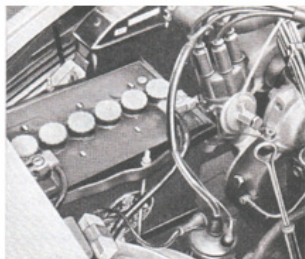
In that catalogue you may find other helpful groups, such as car body screws and rubber hoses, assorted by dimension.

	Rubber grommet 11/30, blue silicon rubber	<a href="#">299517</a>	1,59 €		Rubbergrommet, defrost tube	<a href="#">183109</a>	16,30 €
1	Grommet 6/26, 45°, e.g. hydr-line clutc	<a href="#">299001</a>	2,68 €	1	Grommet, 6/27mm,45° hydr.line clutch	<a href="#">298787</a>	2,82 €
2	Rubber plug instead clutchline	<a href="#">298786</a>	0,73 €	2	Rubbergrommet at firewall	<a href="#">299002</a>	3,05 €

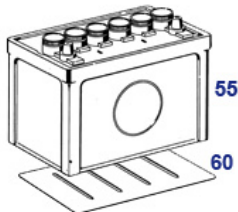
3	Rubber grommet, inlet	<a href="#">299003</a>	3,55 €	4	Rubber grommet, return	<a href="#">299004</a>	0,50 €
6	Grommet,acc. Pedal,bulkhead	<a href="#">299006</a>	4,19 €	7	Grommet,cable,bulkhead 17/40	<a href="#">299007</a>	3,05 €
9	Rbr grommet ../24,2 hole, revcables, oil/temp-pipe	<a href="#">299009</a>	3,61 €	11	Rbr grommet,7/10,113 washpipe,121 boot	<a href="#">299011</a>	1,08 €
12	Grommet, 5/25,bulkhead	<a href="#">299012</a>	2,09 €	15	Rubber grommet 3 way, bonnet cable	<a href="#">298778</a>	3,55 €
15	Grommet, rubber, 2 piece ../25mm	<a href="#">399011</a>	3,61 €	18	Rubber ring, wiper motor	<a href="#">282407</a>	0,77 €
19	Rubber ring, repl., w/s wiper shaft	<a href="#">282247</a>	1,59 €	22	Grommet,multiple holes, /35	<a href="#">298789</a>	3,05 €
23	Rubber grommet 5/10 heating	<a href="#">298875</a>	0,40 €	23	Rubber grommet 3/18, 121,113,107 and other	<a href="#">199010</a>	1,67 €
24	Grommet 4/20mm, 1 hole, drain	<a href="#">399009</a>	1,71 €	25	Rubbergrommet 7/15mm, air duct, hornwir	<a href="#">199009</a>	2,31 €
25	Rubber grommet 10/15, taillight bucket 190SL, 107	<a href="#">199020</a>	1,08 €	25	Grommet,14/18, bulkhead, generator wire	<a href="#">298784</a>	2,59 €
27	Rubber grommet	<a href="#">299005</a>	2,59 €	27	Rubber grommet 11/30, bulkh(190),107,..	<a href="#">299017</a>	1,59 €
29	Grommet 6/26	<a href="#">299819</a>	3,15 €	33	Ball Grommet for Bulkhead	<a href="#">283032</a>	25,75 €
35	Boot,bulkhead,brake push rod, 113 LHD	<a href="#">229018</a>	13,01 €	42	Drainage Pipes Rubbergrommet, firewall, square	<a href="#">299026</a>	3,32 €
43	Rubber plug 10mm, see pict	<a href="#">298781</a>	1,12 €	43	Rbr plug 10mm	<a href="#">798781</a>	1,17 €
45	Rubber plug, 20mm	<a href="#">298780</a>	0,94 €	48	Closing disc	<a href="#">298045</a>	6,68 €
49	see 298688	<a href="#">298788</a>	0,40 €	49	Rubber buffer 5mm,121,113,10	<a href="#">298066</a>	0,89 €
51	Plug, 32mm, e.g. boot, ..Repro	<a href="#">268309</a>	1,81 €	51	Rbr plug 17,5mm	<a href="#">398995</a>	1,17 €
51	Floor/Body Panel Plug - 26mm	<a href="#">298782</a>	1,30 €	51	plug, plastic, closes 9.5mm holes	<a href="#">298688</a>	0,42 €

## 54.i Info Battery Dimensions

### 54.i Info Battery Dimensions



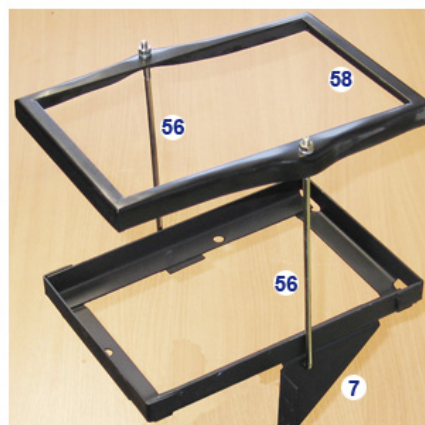
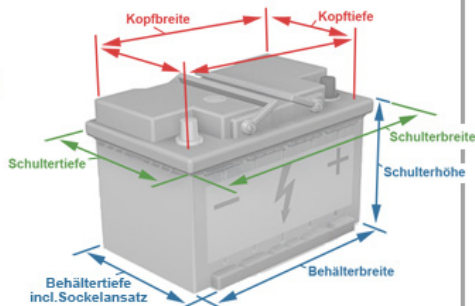
Bis spät in die 1980er Jahre war gute Zugänglichkeit für Wartung gefragt



populäre Bauform der 1990er / 2000er Jahre, Oberrahmen montierbar



Einbaubeispiel „Pagode“



aktuelle Bauformen, Klemmsoclel nur unten



Oldtimerbatterie mit freiliegenden Plattenverbindern, ohne Schulterrand

Abweichende Bauarten = mögl. Montageprobleme: kein Halterand, Polklemmen berühren Rahmen (58)

Bei R113 sind die Maße wichtiger, als die Kapazität, da der Einbauraum äußerst begrenzt ist. Liefersituation bitte stets erfragen !

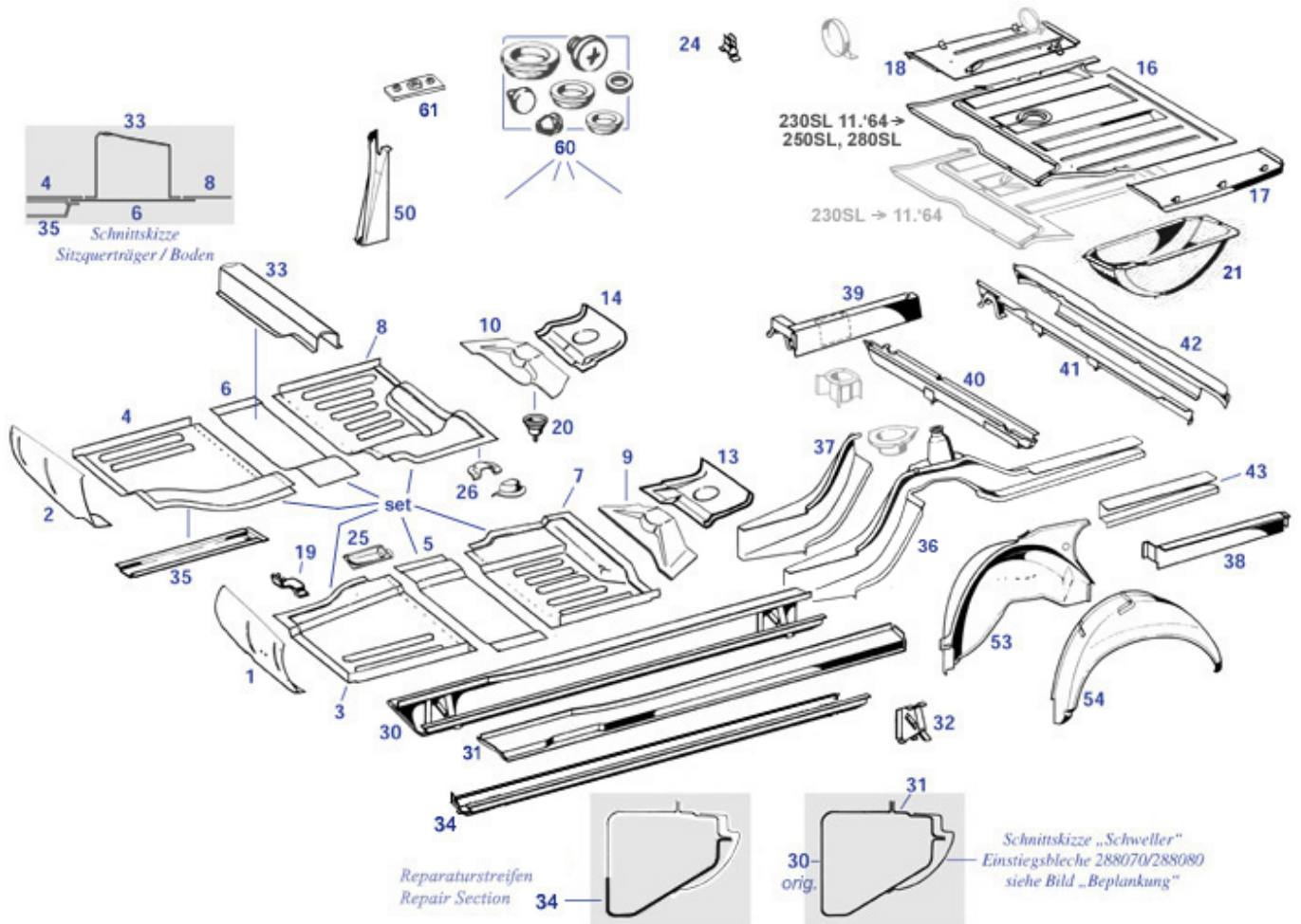
gemessen an lieferbaren Rahmenteilen:  
**Kopfbreite max. 248mm**  
**Kopftiefe max. 152mm**  
**Schulterbreite max. 270mm**  
**Schultertiefe max. 170mm**  
**Schulterhöhe max. 205mm**  
**Behälterbreite max. 264mm**  
**Behältertiefe max. 174mm**

	battery terminal screw M8 X28	<a href="#">554010</a>	0,62 €	7	Battery frame, R113 lower	<a href="#">262050</a>	68,76 €
56	Hex nut M6, yellow zinc.	<a href="#">181023</a>	0,18 €	56	Spring washer, fits M6	<a href="#">181028</a>	0,18 €
56	Clamp bolt, battery	<a href="#">254025</a>	7,97 €	56	nut M6 w. flange, zinc plated	<a href="#">799913</a>	0,37 €
58	Batteryframe, upper, repro, paint unfinished	<a href="#">254026</a>	64,31 €	58	battery hold down, R113, Repro	<a href="#">254826</a>	65,45 €

## 62 Body, Frame & Panelling

### 61 Floor Panels 230SL 250SL 280SL

61 Floor Panels 230SL 250SL 280SL



MB original spare parts / numbers were not provided for the floor parts of the passenger compartment.

Parts 1, 2, 9, 10, 13, 14, 34 and 37 are repair parts with adjustment needs.

The spare wheel well accounted for approx. 11.1964, the tank enlargement followed from 01.1965. Affected are pump environment and cross member.

The frame and body parts of the SLS assortment come from various reproductions. The surfaces vary accordingly between uncoated, galvanized, simplified primer and powder coating. The latter, previously chemically degraded, can be used as a buildable layer.

	lower plate, tunnel closure + gearbox carrier, Repro	<a href="#">268603</a>	737,80 €		Crossmember w.tank supp., 250/280SL	<a href="#">261811</a>	274,20 €
1	Repairpanel, footwell, left	<a href="#">201010</a>	65,13 €	2	Repairpanel, footwell, right	<a href="#">201020</a>	81,46 €
3	Floor, front, left, W113 230 - 280 SL	<a href="#">201030</a>	140,00 €	4	Floor, front, right, 230 - 280 SL	<a href="#">201040</a>	140,00 €
5	Rest: Floor section ctr LH, uncoated	<a href="#">201850</a>	11,90 €	5	Floor, intermediate, left, R113	<a href="#">201050</a>	40,42 €
6	Floor, intermediate, right, R113	<a href="#">201060</a>	40,42 €	6	Rest: Floor section ctr RH, uncoated	<a href="#">201860</a>	11,90 €
7	sellout: Floor panel rear left B-quality	<a href="#">201071</a>	48,69 €	7	Floor, rear, left	<a href="#">201070</a>	148,75 €
8	Floor, rear, right, R113 230 - 280 SL	<a href="#">201080</a>	148,75 €	8	NLA: Floor panel rr RH, uncoated	<a href="#">201880</a>	108,54 €
9	repair panel pushrod recording left	<a href="#">201090</a>	153,05 €	9	Repairpanel, rear Left with axle strut mount	<a href="#">201091</a>	207,98 €
10	Repairpanel, rear right with axle strut mount	<a href="#">201101</a>	207,98 €	10	repair panel pushrods recording rear right	<a href="#">201100</a>	153,05 €
13	Repair panel, over axle left, needs work for fitting	<a href="#">201110</a>	112,35 €	14	Repair panel, over axle rear right 230 - 280 SL	<a href="#">201120</a>	112,35 €
16	round cover above fuel sender, Repro	<a href="#">247814</a>	5,20 €	16	Cover above fuel sender, plastic, black	<a href="#">347014</a>	7,79 €
16	Trunk floor from 11.'64, made in EU	<a href="#">261800</a>	138,08 €	17	Grommet 4/20mm, 1 hole, drain	<a href="#">399009</a>	1,71 €

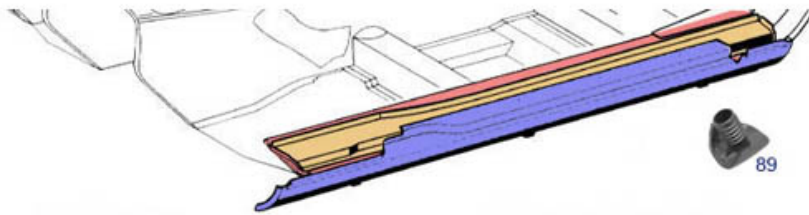


17	Trunk floor, left side	<a href="#">261070</a>	93,89 €	18	Trunk floor, Rt., with jack footpot	<a href="#">261880</a>	344,51 €
18	Trunk floor, Rt., no jack foot pot	<a href="#">261080</a>	112,79 €	19	Bracket, accelerator pedal assy LHD	<a href="#">261140</a>	41,00 €
20	Rr axle strut mount support @ floor	<a href="#">235010</a>	66,25 €	21	Spare tire well 230SL "early"	<a href="#">261895</a>	636,14 €
24	Lug wrench holder	<a href="#">164041</a>	15,33 €	25	Trough, hand brake cable R113	<a href="#">201035</a>	86,08 €
26	1 bracket at floor panel, for the mid exhaust rubber	<a href="#">261049</a>	26,25 €	30	Rail R113, LHD-RH, Repro	<a href="#">261721</a>	418,76 €
30	Main frame inner rail R113, LH	<a href="#">261011</a>	524,87 €	30	Main frame inner rail R113, RH	<a href="#">261021</a>	524,87 €
30	Rail R113, LH, Repro	<a href="#">261711</a>	410,55 €	31	Top section of frame rail left, Repro	<a href="#">261730</a>	66,76 €
31	Top section of frame rail right, Repro	<a href="#">261740</a>	66,76 €	31	Upper rail section LH, Repro	<a href="#">261830</a>	86,63 €
31	Upper rail section RH, Repro	<a href="#">261840</a>	86,63 €	32	Bracket,jack LHD 4x, RHD 3x	<a href="#">261015</a>	108,64 €
32	Cap, jack hole 230-280SL	<a href="#">289008</a>	13,74 €	33	Crossmember,under seat,lt.	<a href="#">261430</a>	212,89 €
33	Crossmember,under seat, right	<a href="#">261440</a>	212,89 €	33	Crossmember,under seat,lt.	<a href="#">261330</a>	285,99 €
33	Crossmember,under seat,rt.	<a href="#">261340</a>	285,99 €	34	Frame rail, lower rep section, RH	<a href="#">261022</a>	136,20 €
34	Frame rail, lower rep-section, LH	<a href="#">261012</a>	136,20 €	35	Reinforcement under floors	<a href="#">262300</a>	81,50 €
36	Outrigger, rear, Rt.	<a href="#">261100</a>	796,71 €	36	Outrigger, rear, Lt.	<a href="#">261090</a>	796,71 €
37	Frame rail rep.section rr.RH	<a href="#">261105</a>	353,00 €	37	Frame rail rep.section rr.LH	<a href="#">261095</a>	353,00 €
38	Outer wall rr rail LH trunk	<a href="#">261750</a>	26,70 €	39	bracket at rear rail, for rr muffler frt rubbers	<a href="#">261848</a>	65,45 €
39	Sect.of rr rail incl Exh-brack, Repro	<a href="#">261760</a>	145,66 €	40	cross member with trunk support	<a href="#">261911</a>	172,55 €
41	tail panel, all shells ready assembled	<a href="#">264710</a>	1.522,00 €	41	Frt shell, rr cross member	<a href="#">261820</a>	294,68 €
41	frt shell of rear cross member, w.tank supports	<a href="#">261720</a>	136,85 €	42	cross member shell rr/rr	<a href="#">261738</a>	172,55 €
42	cross member shell rr/rr	<a href="#">261130</a>	93,72 €	43	Outrigger, repro., rear lt.	<a href="#">261097</a>	136,99 €
43	Outrigger, repro., rear rt.	<a href="#">261107</a>	136,99 €	53	Wheel arch rr inner, RT, Repro	<a href="#">264840</a>	416,50 €
53	Wheel arch rr inner, LT, Repro	<a href="#">264830</a>	416,50 €	54	Outer wheelarch RH, rep.-version	<a href="#">264061</a>	275,00 €
54	Outer wheelarch LH, rep-section	<a href="#">264051</a>	275,00 €	54	Outer wheelarch LH, dim. "width" better than 264051	<a href="#">264851</a>	327,25 €
54	Outer wheelarch RH, dim. "width" better than 264061	<a href="#">264861</a>	327,25 €	61	thread plate for belts	<a href="#">299985</a>	16,11 €
62	bracket, pressure regulator 113 rr.axle from '68	<a href="#">261054</a>	64,20 €	91	bracket, rear seat support @rail or tunnel	<a href="#">261250</a>	155,00 €

## 61.a Info frame rail parts

61.a Info frame rail parts

Info zu Karosseriearbeiten am Schweller  
Info about outer rail repairs

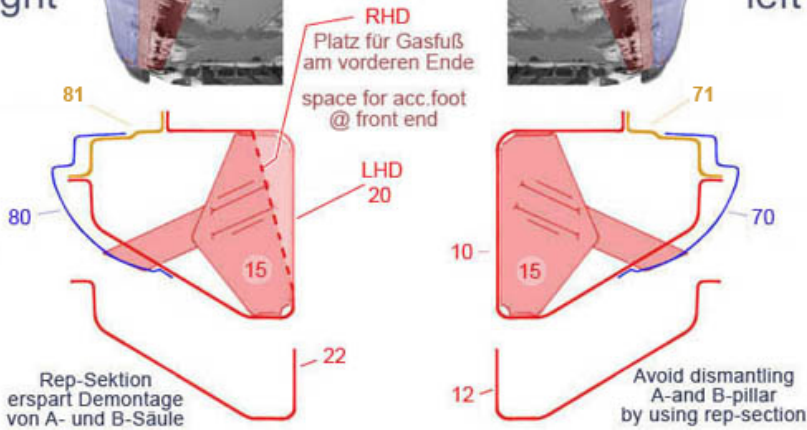


Pedalböden, Trennwand zur Fahrgastzelle  
Footwell front floor  
Blick von vorn  
View from front



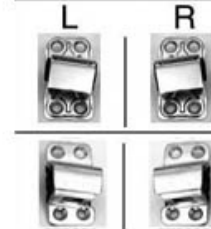
links  
left

rechts  
right



Infos zu Karosseriearbeiten ab der B-Säule  
Info about bodyworks @ B-pillar

Info about bodyworks @ B-pillar



Anpassung der Schließung vor den Lackierarbeiten

Test door catch mount before paint job

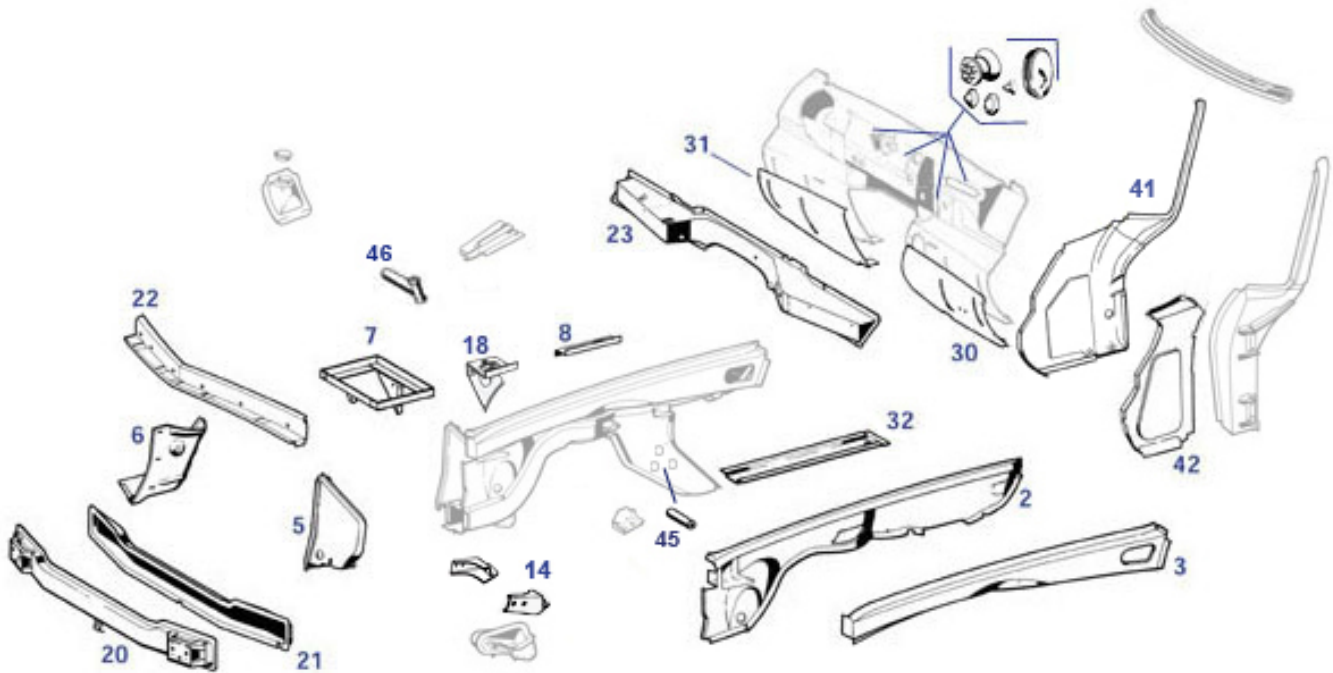


Rechtzeitige Planung für Gurt-Nachrüstung  
Early planning of seatbelt installation

	Rocker panel RH	<a href="#">288180</a>	166,60 €		Rocker panel LH	<a href="#">288170</a>	166,60 €
10	Main frame inner rail R113, LH	<a href="#">261011</a>	524,87 €	10	Rail R113, LH, Repro	<a href="#">261711</a>	410,55 €
12	Frame rail, lower rep-section, LH	<a href="#">261012</a>	136,20 €	15	Bracket,jack LHD 4x, RHD 3x	<a href="#">261015</a>	108,64 €
20	Main frame inner rail R113, RH	<a href="#">261021</a>	524,87 €	20	Rail R113, LHD-RH, Repro	<a href="#">261721</a>	418,76 €
22	Frame rail, lower rep section, RH	<a href="#">261022</a>	136,20 €	70	Threshold panel R113, '65-'71 LH	<a href="#">288070</a>	208,67 €
71	Top section of frame rail left, Repro	<a href="#">261730</a>	66,76 €	80	Threshold panel R113, '65-'71 RH	<a href="#">288080</a>	208,67 €
81	Top section of frame rail right, Repro	<a href="#">261740</a>	66,76 €	89	Cap, jack hole 230-280SL	<a href="#">289008</a>	13,74 €

## 62 Body, front

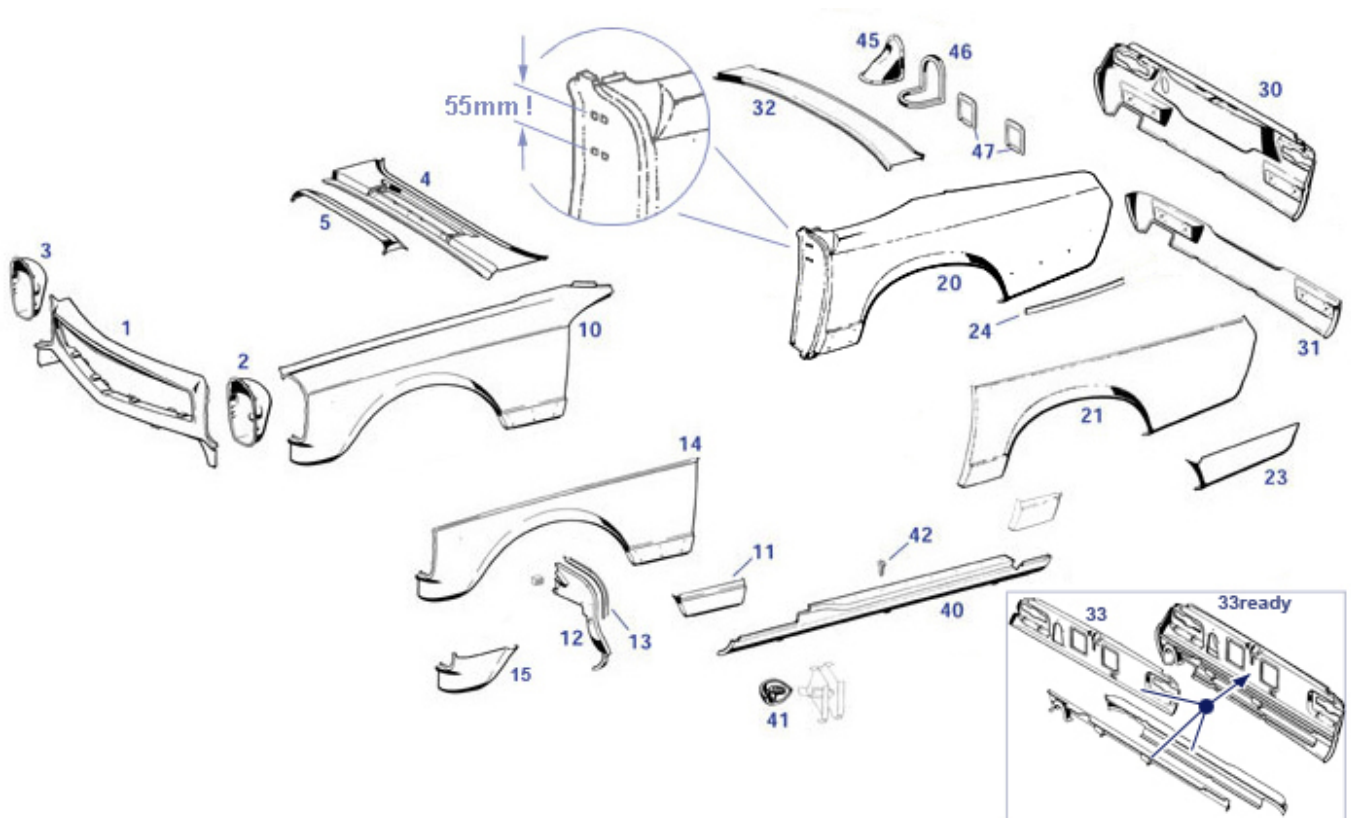
62 Body, front



	Cardbox for large spareparts, 170x60x80cm	<a href="#">967993</a>	25,82 €		Connecting panel R113, Rt.	<a href="#">262220</a>	136,85 €
2	Front inner wheel arch RH 230-280SL, Repro	<a href="#">262140</a>	332,30 €	2	Front inner wheel arch LH 230-280SL, Repro	<a href="#">262130</a>	332,30 €
3	wheel arch strut RH	<a href="#">262825</a>	108,90 €	3	wheel arch strut LH	<a href="#">262815</a>	108,90 €
3	wheel arch strut RH	<a href="#">262625</a>	154,69 €	3	wheel arch strut LH	<a href="#">262615</a>	154,69 €
5	Baffle plate, 230-280SL, Lt	<a href="#">262070</a>	220,99 €	5	Baffle plate, 230-280SL, Lt	<a href="#">262670</a>	136,90 €
6	Casing plate, 230SL, Rt.	<a href="#">262065</a>	203,91 €	6	Baffle plate 250-280SL right	<a href="#">262960</a>	220,99 €
7	Battery frame, R113 lower	<a href="#">262050</a>	68,76 €	13	Plate, shocker bracket, upper, ref.-No. A1803260267	<a href="#">232040</a>	16,60 €
14	pair of supports L+R, signal horn mounts	<a href="#">262314</a>	220,30 €	18	Support f.hood belt and spring strut	<a href="#">262132</a>	33,20 €
20	Cross member frt shell OE 2,1kg/1,3mm	<a href="#">262020</a>	229,99 €	20	Cross member frt shell Repro 1,9kg/1,2mm	<a href="#">262720</a>	142,80 €
21	Cross member rr shell Repro 1,4kg/1,2mm	<a href="#">262830</a>	63,19 €	21	Cross member set Repro	<a href="#">262900</a>	167,67 €
21	Cross member rr shell OE 1,5kg/1,25mm	<a href="#">262030</a>	150,00 €	22	Support, inner nose panel R113	<a href="#">262040</a>	91,04 €
22	Stiffening, inner frt nose panel, Repro	<a href="#">262840</a>	130,00 €	23	Rep-section cross member RH	<a href="#">262276</a>	249,90 €
23	Rep-section cross member LH	<a href="#">262275</a>	249,90 €	23	w.shortcomings: crossmember @ firewall	<a href="#">262278</a>	609,99 €
23	Cross member, bulkhead, made in EU, welded	<a href="#">262270</a>	590,60 €	30	Repairpanel, footwell, left	<a href="#">201010</a>	65,13 €
31	Repairpanel, footwell, right	<a href="#">201020</a>	81,46 €	32	Reinforcement under floors	<a href="#">262300</a>	81,50 €
41	'A' pillar R113, inner right	<a href="#">262200</a>	259,00 €	41	'A' pillar R113, inner left	<a href="#">262190</a>	259,00 €
42	Connecting panel R113, Lt.	<a href="#">262218</a>	109,96 €	42	Connecting panel R113, Rt.	<a href="#">262228</a>	109,96 €

## 64 Panelling

64 Panelling

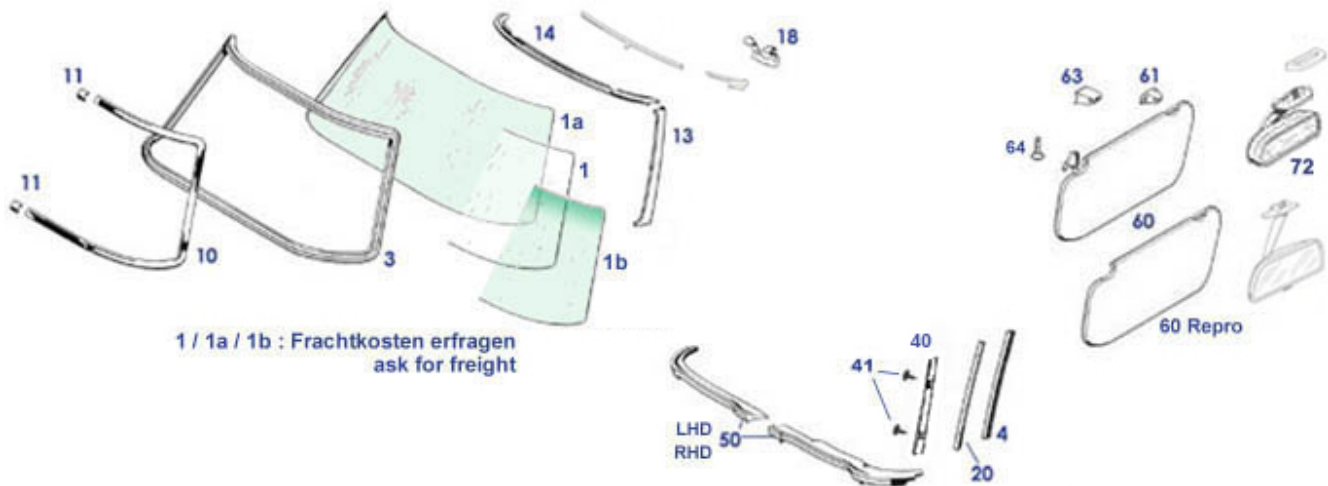


	Rocker panel RH	<a href="#">288180</a>	166,60 €		Rocker panel LH	<a href="#">288170</a>	166,60 €
	W/S glasstransp. incl. box(Germany)	<a href="#">967999</a>	121,25 €		Nose panel 230-280SL   Reproduction	<a href="#">262710</a>	819,90 €
1	Nose panel 230-280SL   Reproduction	<a href="#">262810</a>	760,28 €	2	threaded bushing, lamp housing repair	<a href="#">262855</a>	2,50 €
2	Lamp housing LH	<a href="#">262850</a>	61,23 €	2	Tube,prt.,head lamp cable,l.h.	<a href="#">254047</a>	24,29 €
2	Rubber buffer 5mm,121,113,10	<a href="#">298066</a>	0,89 €	3	Lamp housing RH	<a href="#">262860</a>	61,23 €
3	Tube,prt.,head lamp cable,r.h.	<a href="#">254046</a>	24,29 €	4	Panel upper centre, front	<a href="#">262875</a>	302,33 €
5	Screw 3,5 x 9,5, see picture	<a href="#">288081</a>	0,32 €	5	Screw for chrome strips	<a href="#">269164</a>	0,13 €
5	hood above air duct grille, Repro doesn't meet genuine Quality	<a href="#">283820</a>	175,77 €	5	Washer, entry trim strip,fr.	<a href="#">268132</a>	0,18 €
5	Screw	<a href="#">799931</a>	0,24 €	10	Wing/Fender R113 front left Repro	<a href="#">262870</a>	982,93 €
10	Wing/fender fr.left Repro incl housing	<a href="#">262770</a>	998,41 €	10	Wing/Fender R113 front right Repro	<a href="#">262880</a>	982,93 €
10	Cardbox for large spareparts, 170x60x80cm	<a href="#">967993</a>	25,82 €	10	Wing/fender fr.right Repro incl housing	<a href="#">262780</a>	998,41 €
11	Patch panel, front wing Lt.	<a href="#">262171</a>	116,87 €	11	Patch panel, front wing Rt.	<a href="#">262181</a>	116,87 €
12	Splash guard 230-280SL, Rt.	<a href="#">288660</a>	58,31 €	12	Splash guard 230-280SL, Lt.	<a href="#">288650</a>	58,31 €
12	Panelling screw 5,5 x 16 (hex head 8mm)	<a href="#">288059</a>	0,60 €	12	Wing inners, set, s/s R113	<a href="#">288054</a>	175,53 €
12	tapping hex.head screw 6,3 X 19	<a href="#">288559</a>	0,60 €	14	"Repair panel"3/4-wing"front, lt."	<a href="#">262173</a>	428,38 €
14	"Repair panel"3/4-wing"front, rt."	<a href="#">262183</a>	428,38 €	15	Patch panel LT lower frt wing section	<a href="#">262172</a>	108,16 €
15	Patch panel RT frt lower wing section	<a href="#">262182</a>	108,16 €	20	Wing(fender) 230-280 SL, rear right late	<a href="#">264881</a>	963,90 €
20	Wing (fender) rear left	<a href="#">264871</a>	963,90 €	20	Wing(fender), rear LH early (3-bolt latch)	<a href="#">264870</a>	854,06 €
20	Wing(fender),rear RH early (3 bolt latch)	<a href="#">264880</a>	854,06 €	21	Patch panel 75% wing raer Rt.	<a href="#">264083</a>	299,20 €
21	Patch panel 75% wing rear Lt.	<a href="#">264073</a>	299,20 €	23	Patch panel wing rear lower Rt.	<a href="#">264081</a>	99,86 €
23	Patch panel wing rear lower Lt.	<a href="#">264071</a>	103,95 €	24	Multi-Purpose Adhesive Insulation Seal	<a href="#">298001</a>	9,40 €
30	tail panel, outer, 230-280SL 113	<a href="#">264700</a>	347,69 €	31	Repr. panel, R113 rear end lower inner panel, rear	<a href="#">264105</a>	262,40 €
32	ctre upper panel, except.Califor.	<a href="#">264810</a>	244,97 €	33	Threshold panel R113, '65-'71 RH	<a href="#">288080</a>	208,67 €
33ready	tail panel, all shells ready assembled	<a href="#">264710</a>	1.522,00 €	40	Cap, jack hole 230-280SL	<a href="#">289008</a>	13,74 €
40	Threshold panel R113, '65-'71 LH	<a href="#">288070</a>	208,67 €	41	Cover plate, filler neck	<a href="#">269020</a>	31,77 €
45	Tapping screw Phillips 4,2x9,5	<a href="#">799936</a>	0,15 €				

46	16 m sealing compound strip 3mm black	<a href="#">699996</a>	10,59 €	46	Edge protection profile mtr, eg trunk	<a href="#">269010</a>	3,80 €
47	cover, rear panel, inner	<a href="#">269033</a>	48,52 €	61	Frt shell, rr cross member	<a href="#">261820</a>	294,68 €
61	frt shell of rear cross member, w.tank supports	<a href="#">261720</a>	136,85 €	62	cross member shell rr/rr	<a href="#">261130</a>	93,72 €

# 67 Windscreen 230SL 250SL 280SL

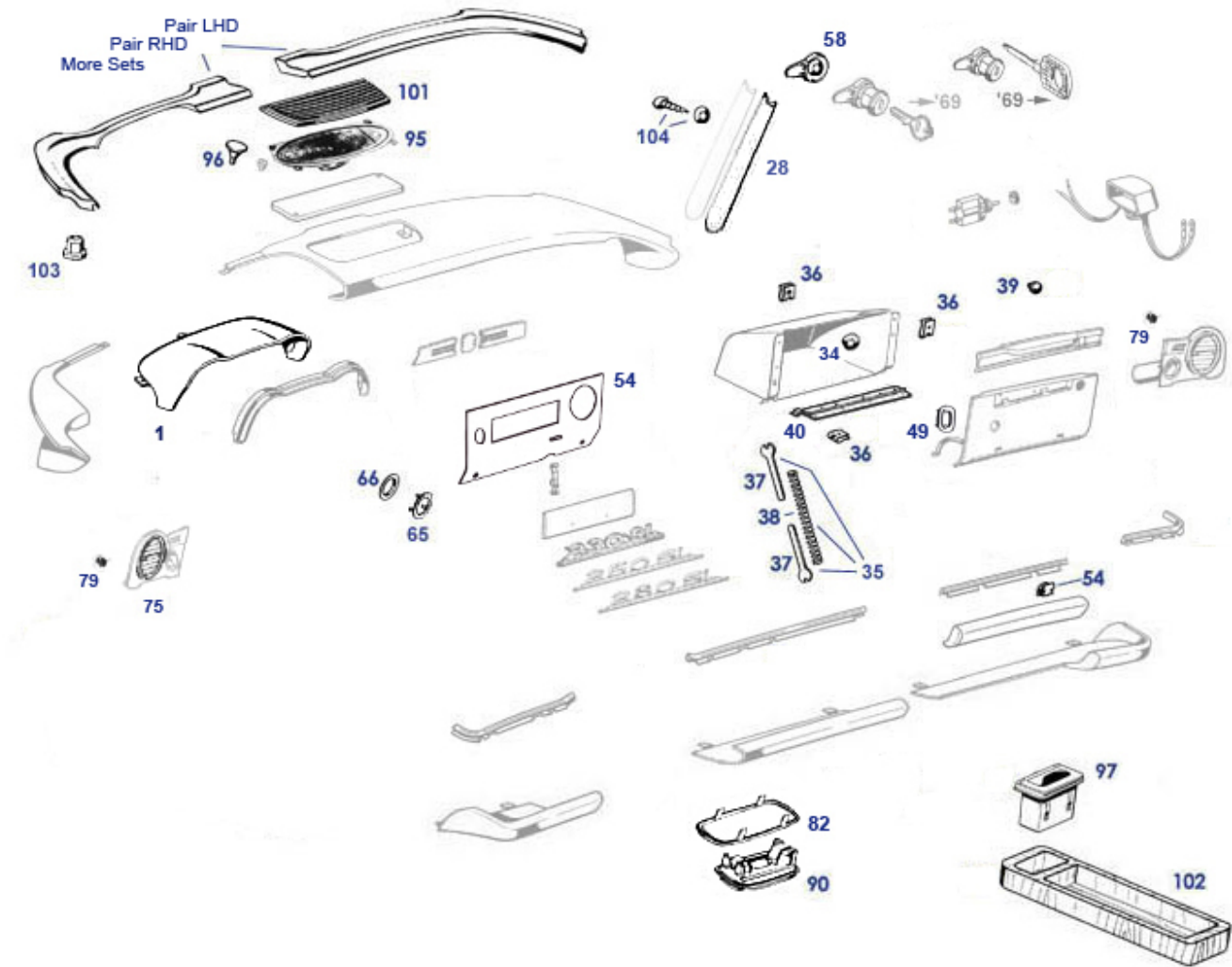
67 Windscreen 230SL 250SL 280SL



	M6 x12 bolt, counter sunk head DIN91, chromed	<a href="#">277266</a>	7,46 €		Pair sunvisors 230SL, light Repro	<a href="#">281730</a>	385,58 €
1	Windshield/windscreen R113, clear	<a href="#">267501</a>	315,35 €	1a	Windscreen R113, green, repro	<a href="#">269700</a>	344,51 €
1	W/S glasstransp. incl. box(Germany)	<a href="#">967999</a>	121,25 €	1	del-t: Windshield/windscreen R113, clear	<a href="#">267001</a>	390,00 €
1a	Windscreen R113, green, repro, remaining stocks, discont.prod	<a href="#">269800</a>	199,50 €	1b	Windshield R113, green + green sripe	<a href="#">269501</a>	402,99 €
3	W/S seal, import quality	<a href="#">267800</a>	46,30 €	3	Windshield seal 230-280SL	<a href="#">267000</a>	99,95 €
4	Seal, A-pillar, L or R, needs t.b.cutte	<a href="#">272228</a>	13,47 €	4	Seal, A-pillar, left/right side, needs to be cutted!	<a href="#">272220</a>	25,88 €
10	Windscreen Chrome Surround - Right	<a href="#">267050</a>	495,99 €	10	Windscreen Chrome Surround - Left	<a href="#">267040</a>	495,99 €
11	Connecting piece, middle	<a href="#">267045</a>	14,33 €	13	Blechschaube zB Einstieg unter Gummim.	<a href="#">288134</a>	0,19 €
13	Raw brass covering, A pillar LH	<a href="#">268805</a>	298,69 €	13	Raw brass covering, A pillar RH	<a href="#">268806</a>	298,69 €
14	Raw brass covering, upper ws frame	<a href="#">267810</a>	324,99 €	18	Escutcheon, roof lock	<a href="#">268023</a>	136,53 €
20	Weatherstrip seal holder, Lt.	<a href="#">272725</a>	382,61 €	20	Chrome rail, A-pillar, Rt.	<a href="#">272726</a>	382,61 €
40	1 pair raw pillar covering inserts	<a href="#">267803</a>	291,55 €	40	1 pair wood, raw base, a pillar W113 ->67	<a href="#">267704</a>	327,25 €
40	1 pair raw pillar covering alu inserts	<a href="#">267703</a>	357,00 €	41	Escutcheon fitting panelling screws diam 3,9	<a href="#">267014</a>	0,89 €
50	Wood bow, 2-pce, LHD	<a href="#">267100</a>	822,00 €	50R	Washer, Star/frame	<a href="#">288047</a>	0,55 €
50R	Wood bow, on dashboard 2-pce, RHD	<a href="#">267101</a>	569,27 €	50R	Fastener for window frame	<a href="#">267105</a>	1,25 €
50	Wood bow, on dashboard, 2-pce, LHD	<a href="#">267700</a>	447,89 €	60 Repro	Pin for sun visor from 1967	<a href="#">281739</a>	29,16 €
60 Repro	Pair Sunvisors '67-> light Repro	<a href="#">281735</a>	348,43 €	60 Repro	Chrome bracket LH visor ->'67	<a href="#">281158</a>	160,00 €
60 Repro	Chrome bracket, visor RH ->'67	<a href="#">281168</a>	161,99 €	60	S'visor support, outer, '67->, RH	<a href="#">281160</a>	89,90 €
60 Repro	S'visor support, outer, '67->, LT	<a href="#">281150</a>	89,90 €	60 Repro	S'visor `67->, Lt.no mirr,no supp	<a href="#">281137</a>	223,35 €
60 Repro	S'visor `67->, Rt.w. mirr,no supp,Repro	<a href="#">281136</a>	223,35 €	60 Repro	Sunvisor ->'67 LH w/o bracket, cream	<a href="#">281131</a>	229,00 €
60 Repro	Sunvisor ->'67 RH w/o bracket, cream	<a href="#">281132</a>	229,00 €	61	Counter sunk screw 4,2x14, industrial chromed	<a href="#">799932</a>	0,58 €
61	Bracket, sunvisor ->'67	<a href="#">281038</a>	5,96 €	63	Square nut e.g. at 281039	<a href="#">281169</a>	0,44 €
63	panel screw, lens head, 3,5x22 visorsup	<a href="#">281159</a>	0,44 €	63	Bracket, sunvisor'67->,cream-grey	<a href="#">281039</a>	13,64 €

## 68 Covering, insulation, wood

### 68.a Dashboard coverings

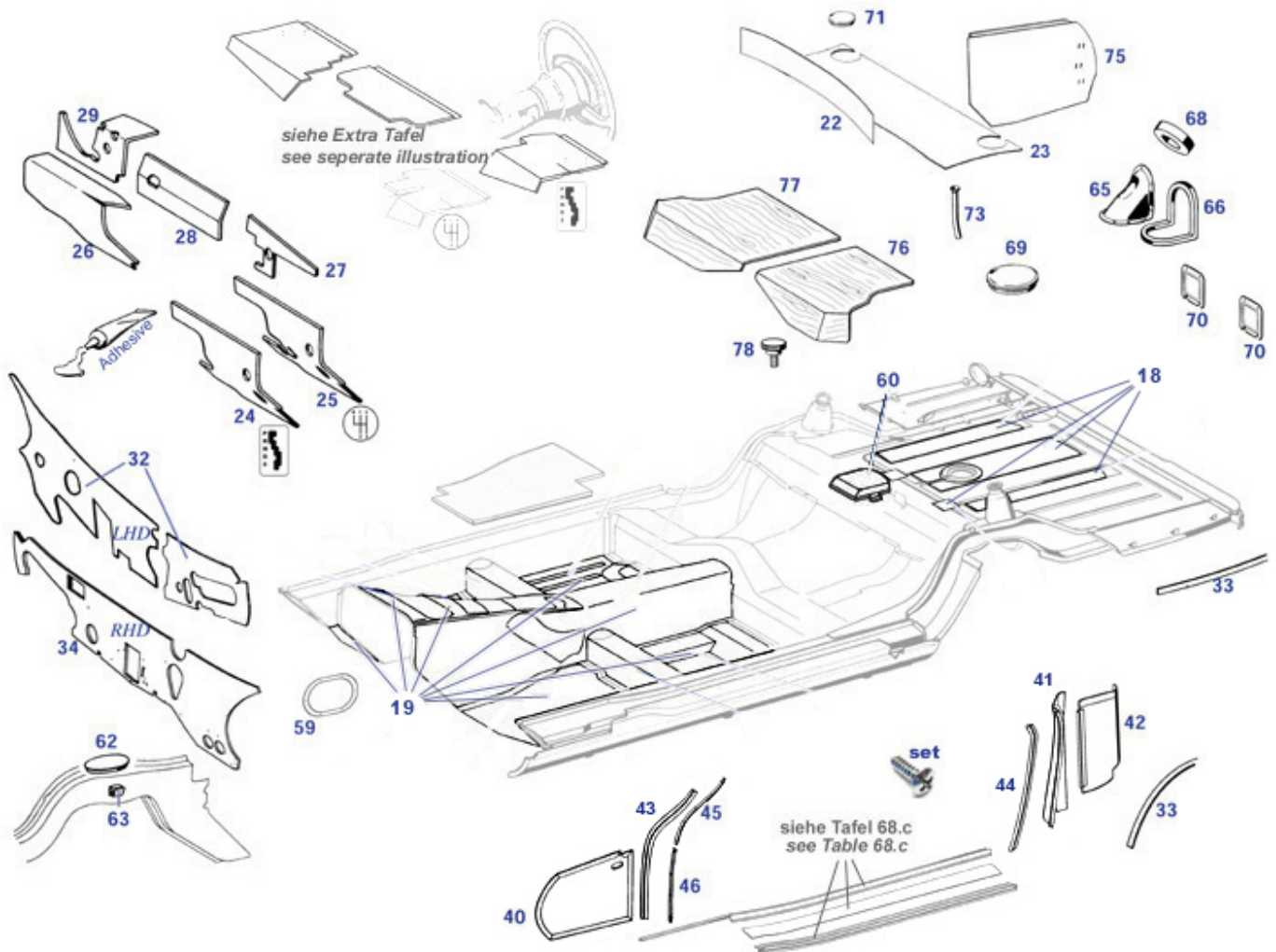


screw	Screw (sill to wheel arch)	<a href="#">288133</a>	0,50 €		Metal Clip, covers,	<a href="#">268676</a>	1,79 €
	Wood kit LHD 4-pcs repro	<a href="#">268720</a>	1.249,50 €	LHD	Wood bow, 2-pce, LHD	<a href="#">267100</a>	822,00 €
RHD	Wood bow, on dashboard 2-pce, RHD	<a href="#">267101</a>	569,27 €		Plastic-clip universal/VW, may replace SLS 268726	<a href="#">968275</a>	0,60 €
	Wood bow, on dashboard, 2-pce, LHD	<a href="#">267700</a>	447,89 €		Bulb 12V / 10W, torpedo, total length 38	<a href="#">799081</a>	1,46 €
1	raw inner shell, LHD dash section instruments	<a href="#">268803</a>	524,79 €	28	1 pair wood, raw base, a pillar W113 ->67	<a href="#">267704</a>	327,25 €
28	1 pair raw pillar covering alu inserts	<a href="#">267703</a>	357,00 €	28	1 pair raw pillar covering inserts	<a href="#">267803</a>	291,55 €
36	Spring clip nut, 4,2 e.g. glove box	<a href="#">299027</a>	0,43 €	36	countersunk washer / screw escutcheon	<a href="#">373113</a>	0,70 €
36	Spring clip nut, 4,2, e.g. wing 107,...	<a href="#">299028</a>	0,33 €	37	Fork, glovebox lid	<a href="#">168070</a>	8,09 €
38	Glove box closure spring	<a href="#">168071</a>	10,82 €	39	Rubber plug, e.g. drain holes ca. 8mm	<a href="#">198005</a>	1,55 €
40	Hinge strip LHD glovebox	<a href="#">268118</a>	199,99 €	49	Escutcheon, dull, for link rod glove box	<a href="#">268249</a>	36,00 €
54	Ctre section dashboard 230SL	<a href="#">268054</a>	106,06 €	54	Clip, glovebox trim	<a href="#">268857</a>	1,30 €
58	locking latch/link, glove box lock	<a href="#">268058</a>	17,61 €	65	lock escutcheon up to '67, Brass, chromed	<a href="#">268741</a>	14,68 €
65	lock escutcheon up to '67, Alu anodized	<a href="#">268041</a>	7,98 €	65	Rest: escutcheon from '67, brass, chromed	<a href="#">268743</a>	14,99 €
66	Rubber ring   1967 -> 07..1979   A1156890097	<a href="#">268044</a>	4,61 €	66	Rubber pad, dec. ring, ->'67	<a href="#">268042</a>	16,18 €
75	Air vent jet w. mesh, chrome	<a href="#">283070</a>	350,92 €	79	round clips, vent bezels to dash	<a href="#">268143</a>	14,29 €
82	frame underneath interior lamp	<a href="#">282680</a>	18,39 €	90	Bulb 12V / 10W, torpedo, total	<a href="#">299094</a>	0,51 €

90	Interior light HELLA,same as MB- Replacement	<a href="#">282920</a>	31,33 €	90	length 44 Interior light, simplified	<a href="#">282020</a>	11,90 €
95	Set mountg.-bits speaker pagoda, incudes mesh	<a href="#">268129</a>	57,10 €	95	Oval loudspeaker 230-280SL	<a href="#">268015</a>	143,60 €
95	Set mountg.-bits speaker pagoda	<a href="#">268109</a>	29,99 €	95	Large sheet, speaker protection fabric 1400 x 700	<a href="#">268128</a>	45,22 €
96	Rubber buffer 5mm,121,113,10	<a href="#">298066</a>	0,89 €	97	Ash tray, black	<a href="#">281800</a>	174,93 €
97	Ashtray in special colour	<a href="#">280980</a>	292,50 €	97	Ash tray, black	<a href="#">281000</a>	267,61 €
101	Countersuk screw eg wood grille	<a href="#">267109</a>	0,50 €	101	Speaker grille, wood R113	<a href="#">268017</a>	350,65 €
102	Wood box, tranms. Tunnel	<a href="#">284700</a>	296,89 €	103	Washer, Star/frame	<a href="#">288047</a>	0,55 €
103	Fastener for window frame	<a href="#">267105</a>	1,25 €	254101	A0015450211 Contact switch, glovebox	<a href="#">254101</a>	402,03 €

## 68.b Mats, Noise Reduction

68.b Mats, Noise Reduction

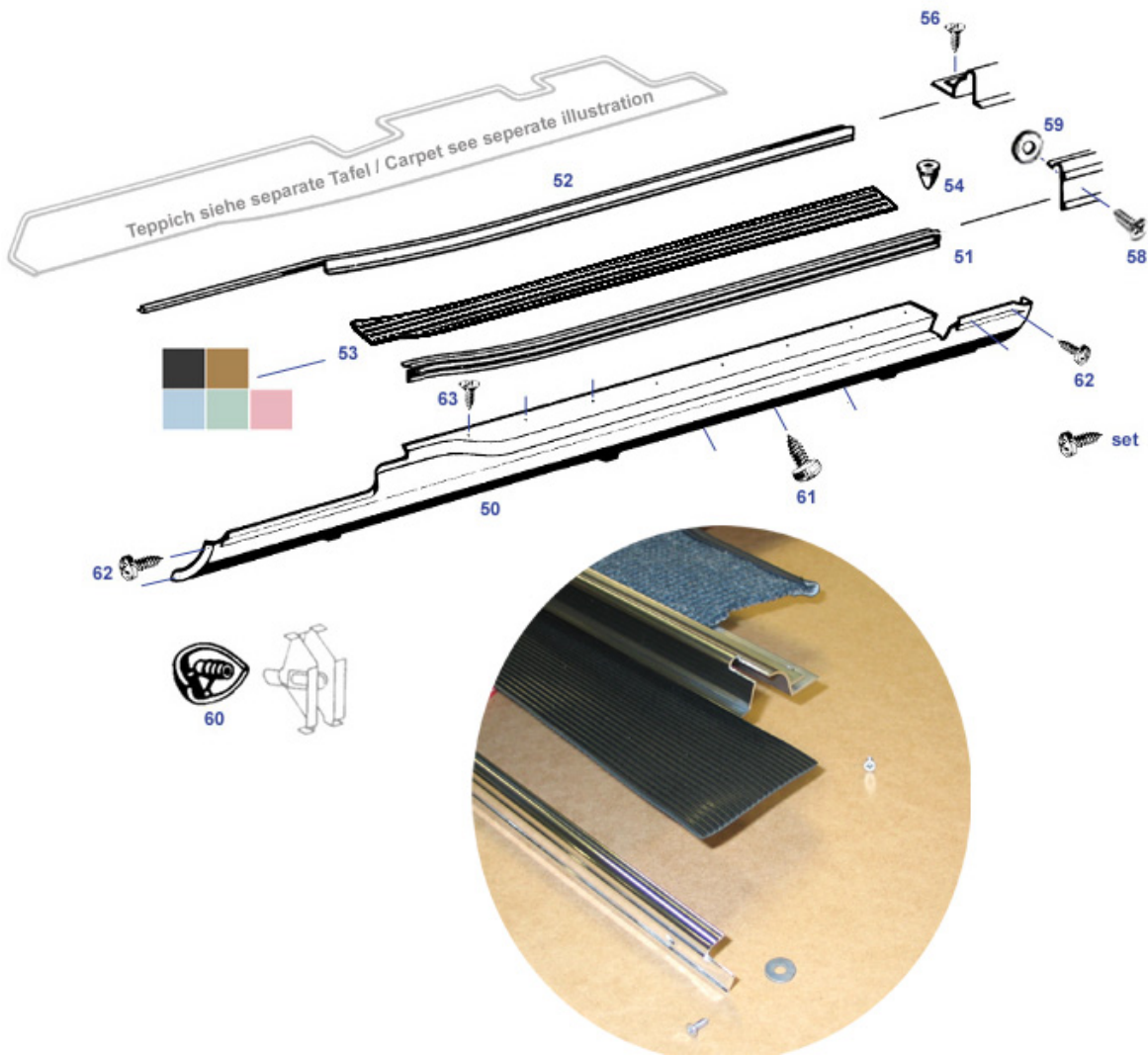


	lower plate, tunnel closure + gearbox carrier, Repro	<a href="#">268603</a>	737,80 €	n/a: pad, insulation near trunk wiring	<a href="#">268192</a>	5,38 €
Adhesive	no parcel service possible: glue 250ml	<a href="#">968027</a>	7,08 €	Rubbermat trunk from VIN, B- quality,res	<a href="#">268700</a>	284,29 €
	Curled nut, wooden covering	<a href="#">268739</a>	39,20 €	Speaker, 113 footwell, if "Stereo"	<a href="#">268215</a>	118,76 €
	rubber boot mat, late	<a href="#">268702</a>	405,55 €	Bit.mat, boot(trunk)LH/RH	<a href="#">268191</a>	9,95 €
	Metal Clip, covers,	<a href="#">268676</a>	1,79 €	18 Set boot floor insulation mats W113	<a href="#">268773</a>	89,99 €
19	Set interior insulation 280SL LHD	<a href="#">268772</a>	583,99 €	19 Set interior insulation 230SL	<a href="#">268771</a>	599,99 €
19	1sqm mat, Terodem SP300 self adhesive	<a href="#">968170</a>	75,45 €	22 Pad, rear compt.fr.wall	<a href="#">268194</a>	13,45 €
23	Insulation lower box cover	<a href="#">268193</a>	80,63 €	23 2 pcs. softtop box damping, simple quality	<a href="#">268893</a>	58,55 €



24	Insulation mat,bulkhead LT lower LHD-ma	<a href="#">268198</a>	59,44 €	25	Insulation mat, firewall Lt. lo	<a href="#">268208</a>	57,61 €
26	Insulation mat, firewall Rt. lo	<a href="#">268199</a>	58,66 €	27	Insulation mat, firewall Lt. up	<a href="#">268195</a>	35,00 €
28	Insulation mat, firewall ctre.	<a href="#">268196</a>	29,07 €	29	Insulation mat, firewall Rt. up	<a href="#">268197</a>	45,35 €
32	Firewall mat LHD, Material 13mm	<a href="#">268530</a>	249,90 €	32	Firewall insulation, geometr.pattern,LH	<a href="#">268830</a>	399,99 €
33	Multi-Purpose Adhesive Insulation Seal	<a href="#">298001</a>	9,40 €	34	Firewall Insulation RHD Replacem.2Layer	<a href="#">268726</a>	129,04 €
40	raw wooden fibre card, LH footwell covering	<a href="#">268031</a>	19,99 €	40	raw wooden fibre card, RH footwell covering	<a href="#">268032</a>	19,99 €
41	Raw blank inner cover B-pillar LH	<a href="#">269165</a>	155,00 €	41	Raw blank inner cover B-pillar RH	<a href="#">269166</a>	155,00 €
42	Cover plate , rear, left	<a href="#">269170</a>	174,99 €	42	Cover plate , rear, Rt.	<a href="#">269180</a>	174,99 €
43	set of 4 insulation strip, door pillars, black leather	<a href="#">272890</a>	199,99 €	45	Dec.strip, A-pillar, upper	<a href="#">272837</a>	61,75 €
45	Dec.strip, A-pillar, upper	<a href="#">272838</a>	61,75 €	46	Ctr sunk screw @ 272033/044/300/400	<a href="#">272034</a>	1,44 €
46	Dec.strip, A-pillar, lower	<a href="#">272836</a>	170,00 €	46	Dec.strip, A-pillar, lower	<a href="#">272835</a>	170,00 €
59	Covering, tunnel near gearbox	<a href="#">268069</a>	37,96 €	59	Metal cover round, strut, sp.tyre well, ..	<a href="#">268070</a>	7,70 €
59	Tapping screw Phillips 4,2x9,5	<a href="#">799936</a>	0,15 €	60	Rivet,for cover in boot	<a href="#">269034</a>	0,35 €
60	cover rear cross member, above axle mount	<a href="#">269832</a>	31,90 €	62	Cover, front subframe mount	<a href="#">268010</a>	11,90 €
63	Clip,cover	<a href="#">268009</a>	1,74 €	65	Cover plate, filler neck	<a href="#">269020</a>	31,77 €
66	Edge protection profile mtr, eg trunk	<a href="#">269010</a>	3,80 €	68	Sealing ring, filler neck->boot	<a href="#">269030</a>	7,13 €
69	round cover above fuel sender,Repro	<a href="#">247814</a>	5,20 €	69	Cover above fuel sender, plastic,black	<a href="#">347014</a>	7,79 €
70	cover, rear panel, inner	<a href="#">269033</a>	48,52 €	73	Run-off / drip hose, S/T compartment	<a href="#">279032</a>	11,25 €
75	Left Trunk Cover   Paper Board+foam	<a href="#">268611</a>	88,88 €	75	Right Trunk Cover   Paper Board+foam	<a href="#">268610</a>	88,88 €
76	raw wooden floors, pair	<a href="#">268735</a>	599,99 €	76	Wooden floor rear lt	<a href="#">268330</a>	623,99 €
77	Wooden floor rear rt	<a href="#">268340</a>	655,10 €	78	Knurled screw, wooden covering	<a href="#">268839</a>	31,05 €

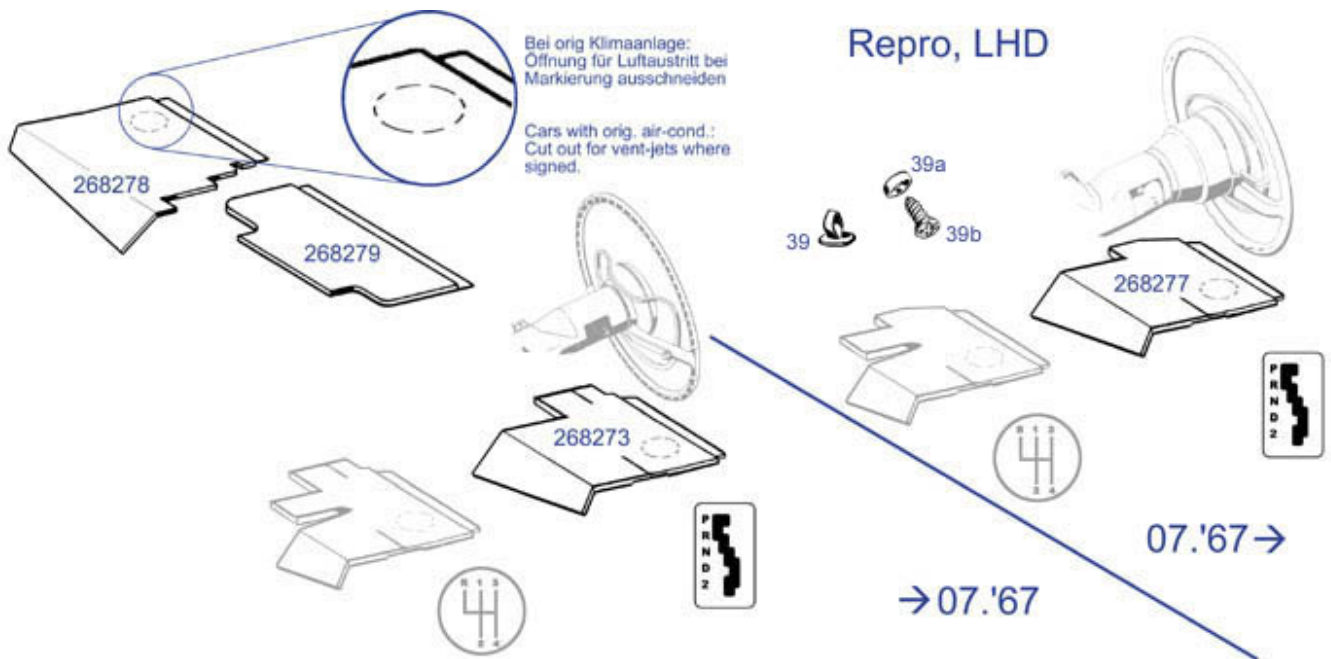
## 68.c Rockerpanel and trim



50	Threshold panel R113, '65-'71 RH	<a href="#">288080</a>	208,67 €	50	Threshold panel R113, '65-'71 LH	<a href="#">288070</a>	208,67 €
51	Moulding set 4pcs 230-280SL	<a href="#">268880</a>	564,55 €	51	Cover rail,thresh.,outer Lt.	<a href="#">268130</a>	118,55 €
51	Cover rail, thresh.,outer Rt.	<a href="#">268140</a>	118,55 €	52	Cover rail, thresh.,inner Lt.	<a href="#">268150</a>	150,29 €
52	Cover rail, thresh.,inner Rt.	<a href="#">268160</a>	150,29 €	53	Mat, entry panel RH, cream color, B	<a href="#">268062</a>	32,50 €
53	Mat dark blue-grey 1200x130 rubber grov	<a href="#">268869</a>	109,00 €	53	Mat, entry panel LH, cream color, B	<a href="#">268061</a>	32,50 €
53	Rubber mat, black Repro, rocker RT	<a href="#">268866</a>	20,61 €	53	Rubber mat, black repro, rocker LT	<a href="#">268865</a>	20,61 €
53	1 pair Mat, red, 1200x130 rubber, groove	<a href="#">268867</a>	109,00 €	54	Rubber buffer 5mm,121,113,10	<a href="#">298066</a>	0,89 €
58	panelling screw, phillips, chromed	<a href="#">268133</a>	1,32 €	59	Washer, entry trim strip,fr.	<a href="#">268132</a>	0,18 €
60	Cap, jack hole 230-280SL	<a href="#">289008</a>	13,74 €	61	Screw 3,5 x 9,5, see picture	<a href="#">288081</a>	0,32 €
62	Screw (sill to wheel arch)	<a href="#">288133</a>	0,50 €	63	Blechschaube zB Einstieg unter Gummim.	<a href="#">288134</a>	0,19 €

## 68.d Covering under dashboard

68.d Covering under dashboard



	frame underneath interior lamp	<a href="#">282680</a>	18,39 €	39b	Screw @ front grille	<a href="#">188071</a>	1,79 €
39a	Washer, chrome, high shape, fits up to 4mm screws	<a href="#">288013</a>	2,99 €	39	Metal Clip, covers,	<a href="#">268676</a>	1,79 €
268273	Cover Paper, Lt. ->'67 autom. LHD	<a href="#">268273</a>	51,53 €	268277	Cover Paper, Lt. '67-> autom. LHD	<a href="#">268277</a>	51,53 €
268278	Cover Paper, Rt, 113 standard LHD	<a href="#">268278</a>	47,66 €	268279	Cover Paper, mid.113 standard LHD	<a href="#">268279</a>	46,36 €

## 68.e Floor mats, info and attached parts

68.e Floor mats, info and attached parts

## Teppich: Beispiel für Lieferumfang und Befestigungsteile

Abbildung: frühe Fahrzeuge mit Gummimatten vorn  
(kein Teppich auf vorderen Böden)

Illustration: early cars, front rubber mats  
(no carpet in frt. footwell)

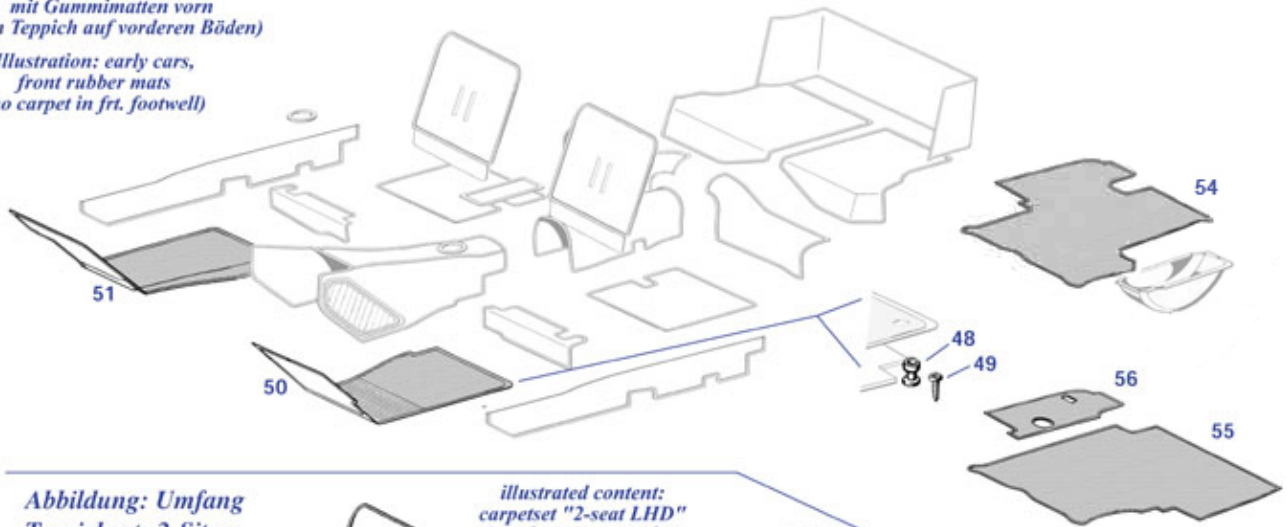
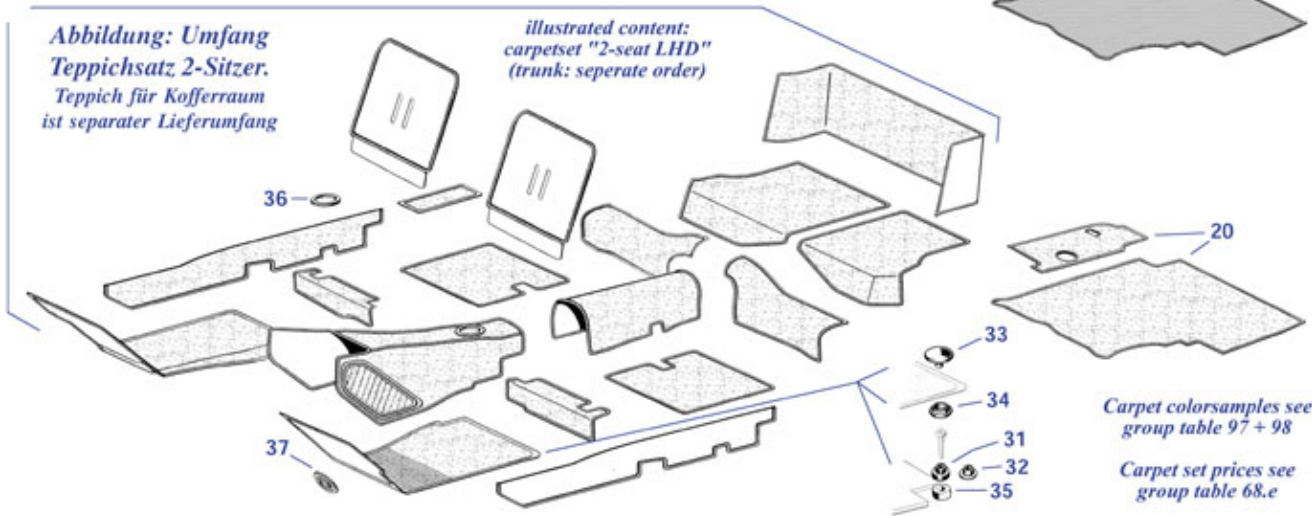


Abbildung: Umfang Teppichsatz 2-Sitzer.  
Teppich für Kofferraum ist separater Lieferumfang

illustrated content:  
carpetset "2-seat LHD"  
(trunk: seperate order)



Carpet colorsamples see  
group table 97 + 98

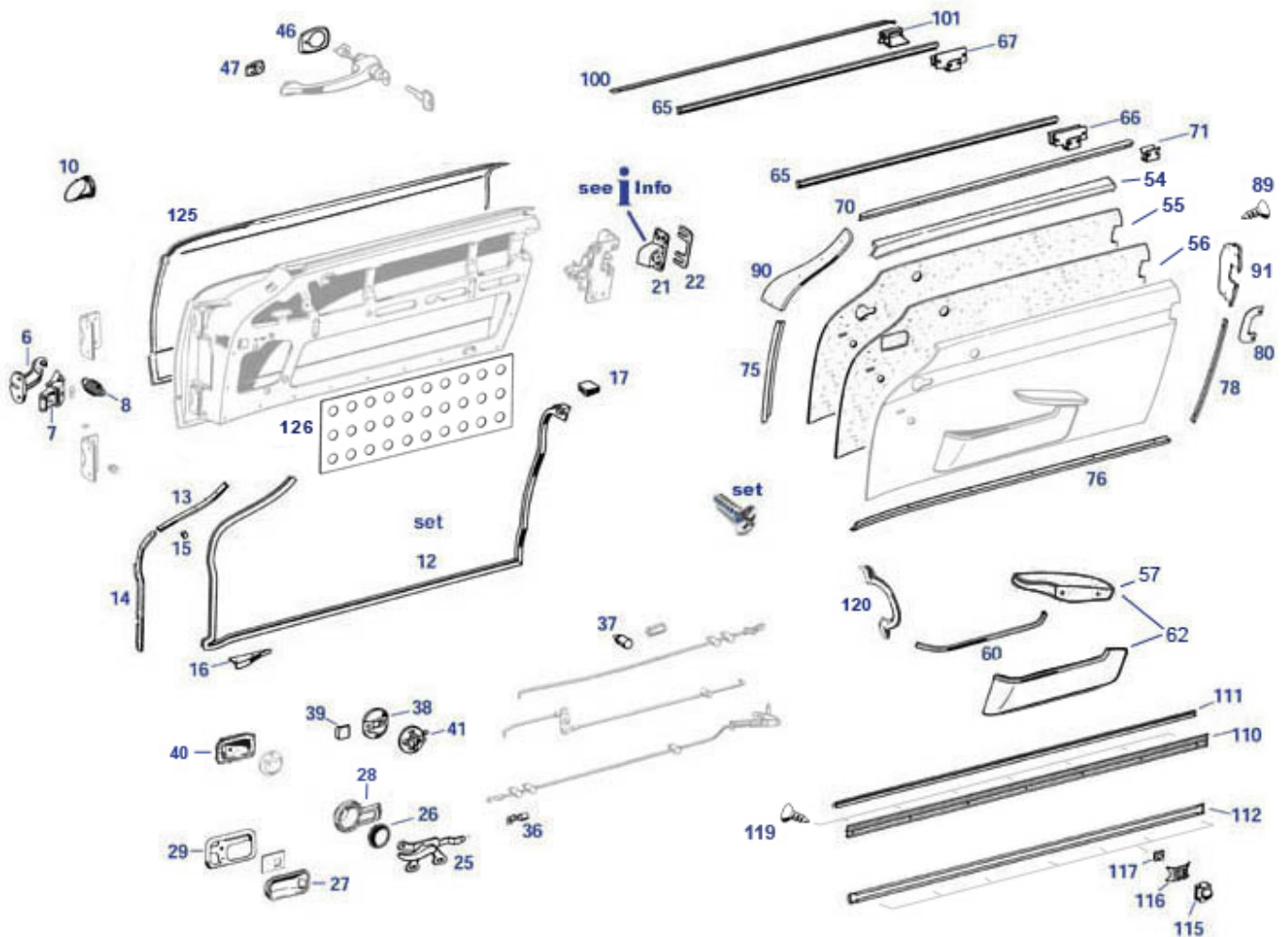
Carpet set prices see  
group table 68.e

	round cover above fuel sender,Repro	<a href="#">247814</a>	5,20 €		Cover above fuel sender, plastic,black	<a href="#">347014</a>	7,79 €
20	Protection, boot mat early	<a href="#">268301</a>	49,50 €	32	Ball to screw, part of snap	<a href="#">177003</a>	0,43 €
33	Cap part of snap	<a href="#">177005</a>	1,79 €	34	Spring eye part of snap	<a href="#">177006</a>	0,39 €
37	Carpet, rubber, impr. beige	<a href="#">268081</a>	5,58 €	37	Carpet, rubber, impr. dk. brown	<a href="#">268082</a>	5,58 €
37	Carpet, rubber, impr. red	<a href="#">268084</a>	5,58 €	37	Carpet, rubber, impr. light brown	<a href="#">268080</a>	5,58 €
37	Carpet, rubber, impr. green	<a href="#">268079</a>	5,58 €	37	Carpet, rubber, impr. blue	<a href="#">268078</a>	6,90 €
37	Carpet, rubber, impr. light grey	<a href="#">268077</a>	6,90 €	37	Carpet, rubber, impr. black	<a href="#">268076</a>	5,46 €
48	Knob(1pce),e.g.rubbermats	<a href="#">268105</a>	4,94 €	49	Screw 4,2 x 25	<a href="#">268104</a>	0,30 €
54	Rubber mat trunk early / wheel standing	<a href="#">268701</a>	387,35 €	55	Protection, boot mat late	<a href="#">268302</a>	49,90 €
55	rubber boot mat, late	<a href="#">268702</a>	405,55 €	55	Rubbermat trunk from VIN, B-quality,res	<a href="#">268700</a>	284,29 €
56	Rubber mat, boot, RT, black reproductio	<a href="#">268400</a>	23,18 €	56	Rubber pan, jack storage support (foot)	<a href="#">259998</a>	18,21 €

## 72 Door

### 72.a Door

72.a Door

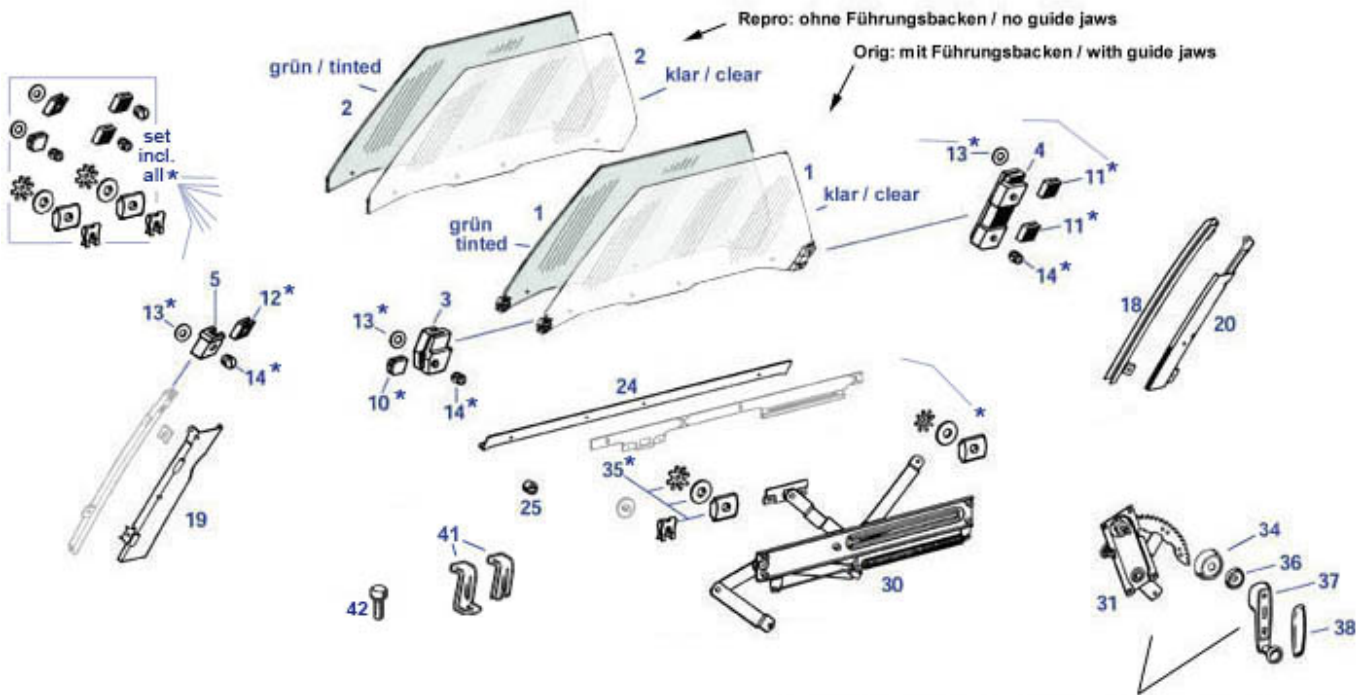


	rep.-kit hinge repair W110/110, 113	<a href="#">372016</a>	79,38 €		steel, sandblasted, upper part of cover structure LH, B-Quality	<a href="#">B272137</a>	95,20 €
	needs machining				Locking cylinders set, up to 05.1969	<a href="#">289808</a>	899,99 €
	set of 4 insulation strip, door pillars, black leather	<a href="#">272890</a>	199,99 €		Dec. strip, ALU R113 @ door RH, repro	<a href="#">272672</a>	99,00 €
	Set rubbers, glasses into lower rails	<a href="#">272775</a>	67,70 €		Dec.strip, A-pillar, lower	<a href="#">272835</a>	170,00 €
	Dec.strip, A-pillar, lower	<a href="#">272836</a>	170,00 €		Dec.strip, A-pillar, upper	<a href="#">272838</a>	61,75 €
	Screw countersunk, 3,9 x 22	<a href="#">999994</a>	2,28 €		Screw @ front grille	<a href="#">188071</a>	1,79 €
	Dec.strip, A-pillar, upper	<a href="#">272837</a>	61,75 €		roll, door stop repair	<a href="#">272079</a>	29,75 €
6	Catch,doorcheck, Lt./Rt.	<a href="#">272060</a>	136,85 €	7	Tension spring,doorcheck	<a href="#">272054</a>	9,97 €
7	Doorcheck, Lt. / Rt.	<a href="#">272061</a>	191,00 €	8	Seal, door 230-280SL, Rt.	<a href="#">272200</a>	149,99 €
10	Plug, rubber	<a href="#">272840</a>	5,68 €	12	Door seal 230-280SL rightrepro	<a href="#">272820</a>	57,60 €
12	Seal, door 230-280SL, Lt.	<a href="#">272100</a>	149,99 €	12	Seal holder,front upper Lt.	<a href="#">272041</a>	70,32 €
12	Door seal 230-280SL left repro	<a href="#">272810</a>	57,60 €	13	Seal holder,front lower left side	<a href="#">272045</a>	183,08 €
13	Seal holder,front upper Rt.	<a href="#">272042</a>	70,32 €	14	Left Upper Retaining Rail	<a href="#">272841</a>	145,66 €
14	Seal holder,front lower Rt.	<a href="#">272046</a>	183,08 €	14	Chromed screw countersunk eg.door panel	<a href="#">172199</a>	0,83 €
14	Right Upper Retaining Rail	<a href="#">272842</a>	145,66 €	15	Rubber buffer @ soft top, Rt.	<a href="#">272286</a>	38,85 €
15	Spacer bushing	<a href="#">272043</a>	3,45 €	17	lock mechanism LH, no prot-lock	<a href="#">172049</a>	459,99 €
17	Rubber buffer @ soft top, Lt.	<a href="#">272285</a>	38,85 €	20	late lock mechanism RH, no prot-lock	<a href="#">272062</a>	457,70 €
20	late lock mechanism LH, w. prot-lock	<a href="#">272063</a>	572,25 €	20	lock mechanism RH, no prot-lock	<a href="#">272051</a>	432,21 €
20	lock mechanism RH, no prot-lock	<a href="#">172048</a>	399,45 €	21	Door catch Lt. R113 07.61->'67	<a href="#">272055</a>	91,45 €
20	lock mechanism LH, w. prot-lock	<a href="#">272050</a>	478,39 €				

21	Screw, 6x16 e.g. door catch, ..	<a href="#">777021</a>	1,24 €	21	screw	<a href="#">299046</a>	0,77 €
21	Door catch RT. 07.61->'67 3-hole	<a href="#">272022</a>	91,25 €	21	Door catch LH, ca. 06.'69 to 08.'85	<a href="#">272621</a>	107,10 €
21	Door catch RH, ca. 06.'69 to 08.'85	<a href="#">272620</a>	107,10 €	22	Distancer, milled, ca. 1,15mm	<a href="#">172073</a>	27,16 €
22	distancer 0,5mm flat , door catch '69->	<a href="#">872012</a>	4,76 €	22	Distancer, milled, ca. 1,35mm	<a href="#">172074</a>	35,05 €
22	Distancer, milled, ca. 1,55mm	<a href="#">172075</a>	40,11 €	22	Distancer, 1,5mm, door catch '69->..	<a href="#">572012</a>	4,75 €
25	Opener handle inner LH ->'67 (230,250FN	<a href="#">276111</a>	174,76 €	25	Opener handle inner RH ->'67 (230,250FN	<a href="#">276112</a>	174,76 €
25	Locking washer M6	<a href="#">299273</a>	0,21 €	25	Opener handle inner LH '67-> (250FN,280	<a href="#">276011</a>	289,99 €
25	Phillips screw, half-round head, M6 x 16	<a href="#">990109</a>	0,34 €	25	Opener handle inner RH '67-> (250FN,280	<a href="#">276012</a>	289,99 €
26	Insert opener handle, round style	<a href="#">276755</a>	9,40 €	26	Insert opener handle, round style	<a href="#">276855</a>	11,72 €
27	A1087660390 Insert, late FN, Lt.	<a href="#">276009</a>	19,99 €	27	Late right Insert   black   250-280SL	<a href="#">276010</a>	19,99 €
28	Escutcheon, fits opener handle LH ->'67	<a href="#">276050</a>	129,70 €	28	Escutcheon, opener handle RH ->'67 optical error on the inside	<a href="#">276060</a>	129,70 €
29	countersunk head screw M4X8, zinc plated	<a href="#">276098</a>	0,12 €	29	Opener chrome surr. from 67, orig	<a href="#">276007</a>	27,97 €
36	clips for door actuator link wires	<a href="#">198004</a>	27,04 €	37	Rubber rod guide 190SL, R113, 111Cpe/Cab	<a href="#">298005</a>	5,55 €
37	Rubber rod guide 190SL, R113, 111Cpe/Cab	<a href="#">298705</a>	5,95 €	38	Door lock escutcheon plate	<a href="#">176066</a>	78,53 €
38	countersunk head screw M3X8 stainless steel, door lock	<a href="#">276099</a>	0,41 €	39	Chrome cover @ lock-lever	<a href="#">172868</a>	15,10 €
39	Cover tab chromed for 176066	<a href="#">172168</a>	9,98 €	40	Recess, 280SL, 250SL 02980->	<a href="#">276013</a>	162,48 €
41	Spring washer M4, e.g. trim fixing	<a href="#">799918</a>	0,12 €	41	Locking handle assy. inner door ->'67 R	<a href="#">172194</a>	109,78 €
41	Locking handle assy, inner door ->'67 L	<a href="#">172193</a>	109,78 €	46	Rubber handle-tail, 113:LH / 111:RH	<a href="#">276810</a>	5,68 €
46	Rubber handle-tail, 113:RH / 111:LH	<a href="#">276820</a>	5,68 €	47	Rubber handle-frt, 113:LH / 111:RH	<a href="#">276830</a>	4,97 €
47	Rubber handle-frt, 113:RH / 111:LH	<a href="#">276840</a>	4,97 €	54	collar RH, upper part of door cover structure	<a href="#">272138</a>	155,00 €
54	collar LH, upper part of door cover structure	<a href="#">272137</a>	155,00 €	55	Stiffening set ,up to year 67	<a href="#">272728</a>	78,90 €
55	Stiffening, Lt. ->'67	<a href="#">272127</a>	60,99 €	55	Stiffening, Rt. up to year '67	<a href="#">272128</a>	57,77 €
56	Door cover stiffening, Rt. 67->	<a href="#">272132</a>	50,99 €	56	Door covering stiffening, 67> set	<a href="#">272832</a>	78,90 €
60	Moulding, front door, Rt.	<a href="#">272068</a>	149,86 €	60	Moulding, front door, Lt.	<a href="#">272069</a>	149,86 €
62	Set box+handle door conv. EUR LH	<a href="#">272135</a>	293,56 €	62	Set box+handle door conv. Eur RH	<a href="#">272136</a>	293,56 €
65	1m brush profile? Window Scraper Seal - 1157250965	<a href="#">872500</a>	21,19 €	66	Clip, brush inner (113: 10x req)	<a href="#">272951</a>	1,90 €
67	clip, brush, outer (10x req)	<a href="#">272952</a>	1,88 €	70	Dec. strip, inner upper Lt.	<a href="#">272005</a>	96,58 €
70	Dec. strip, inner upper Rt.	<a href="#">272006</a>	96,58 €	71	clip trim/dec. strip	<a href="#">272013</a>	0,45 €
75	panelling screw, phillips, chromed	<a href="#">268133</a>	1,32 €	75	Screw, R/C107, R113	<a href="#">272724</a>	0,51 €
80	1 pair door catch garnish 113,111Cab/Cp,C107 early	<a href="#">272815</a>	109,00 €	80	Screw, door catch surround M4 x 10	<a href="#">777029</a>	1,90 €
80	Countersunk screw M4 x 8 chrome eg lock esc	<a href="#">299042</a>	0,71 €	80	complete screw set, chrome plated	<a href="#">299233</a>	399,90 €
89	Ctr sunk screw @ 272033/044/300/400	<a href="#">272034</a>	1,44 €	90	A1137280421 Chromed cover, front Rt.	<a href="#">272040</a>	125,50 €
90	raised countersunk head tapping screw chrome plated 2,9X9,5	<a href="#">272727</a>	1,05 €	90	A1137280321 Chromed cover, front Lt.	<a href="#">272030</a>	125,50 €
91	Chromed cover, door rear, right	<a href="#">272400</a>	294,17 €	91	Chromed cover, door rear, left	<a href="#">272300</a>	294,17 €
100	Left/Right Door Chrome Trim Strip	<a href="#">272230</a>	348,35 €	101	Clip, door strip, outer	<a href="#">272011</a>	2,80 €
110	Dec. strip, R113 @ door, Rt., chromed brass	<a href="#">272260</a>	310,00 €	110	Dec. strip, R113 @ door, Lt, chromed brass	<a href="#">272250</a>	360,00 €
111	1m Rubber profile @ heavy trims	<a href="#">272266</a>	8,33 €	111	1m Rubber profile @ heavy trims	<a href="#">272166</a>	5,36 €
115	Clip, dec. strip, plastic	<a href="#">269161</a>	1,79 €	116	Lock washer, alu. dec. strip	<a href="#">272283</a>	0,71 €
117	Plug, for dec. Strip	<a href="#">272281</a>	0,86 €	119	Screw for chrome strips	<a href="#">269164</a>	0,13 €
120	Handle, e.g. Hardtop	<a href="#">281004</a>	233,00 €	125	Outer rep panel, door RH, Alu	<a href="#">272710</a>	495,04 €
125	Outer rep. panel door LH, Alu	<a href="#">272709</a>	495,04 €	126	Insulation, adhesive, at door skin inside, SL113	<a href="#">272168</a>	43,34 €
126	Dämmung selbstklebend 2mm x 1,6qm	<a href="#">968171</a>	119,99 €	129	Bolt, lock linkage, doors from 1967	<a href="#">298006</a>	18,94 €

## 72.c Door Window

72.c Door Window



3 Generationen ! Knopfänderung 1967, Verbindung Kurbel auf Welle wurde Januar 1970 geändert. Montage von Teilen verschiedener Generationen ggf. nicht möglich.

3 Generations ! Knob design changed 1967, connection lever-to-shaft changed Jan.. 1970. No fitment of mixed up parts

2 gn	Door glass 113 LH, green, no brackets	<a href="#">269703</a>	290,00 €	2 kl	Door glass RH clear, w/o guide jaws	<a href="#">272704</a>	284,99 €
2 kl	Door glass LH clear, w/o guide jaws	<a href="#">272703</a>	284,99 €	2 gn	Door glass 113 RH, green, no brackets	<a href="#">269704</a>	290,00 €
3	guide jaw front left glass end,w/o attachmt	<a href="#">272824</a>	29,18 €	3	Guide jaw windw. frt RT	<a href="#">272825</a>	29,18 €
4	guide jaw left glass rear,w/o attachments	<a href="#">272822</a>	21,50 €	4	guide jaw RH glass rear, w/o attachment	<a href="#">272823</a>	21,50 €
5	Guide jaw, left, guide rail	<a href="#">272009</a>	148,75 €	5	Guide jaw, Rt., guide rail	<a href="#">272010</a>	148,75 €
10	Slide, Rt., front, window	<a href="#">270628</a>	5,36 €	10	Lower left front Retainer Insert	<a href="#">270629</a>	5,36 €
11	A1137250834 Slide, Rt., rear, window	<a href="#">270624</a>	5,36 €	11	A1137250734 Slide, Lt., rear, window	<a href="#">270625</a>	5,36 €
12	Slide, Rt., front, rail	<a href="#">270626</a>	5,36 €	12	Slide,front left, rail	<a href="#">270627</a>	5,36 €
13	Rubber washer,adjusted slide rail inser	<a href="#">270723</a>	0,99 €	14	Grub screw	<a href="#">270722</a>	6,66 €
14	Grub screw, locking is missing	<a href="#">270822</a>	0,96 €	24	Set rubbers, glasses into lower rails	<a href="#">272775</a>	67,70 €
25	1m hose 1/4" x 1,5 e.g glass mount	<a href="#">272875</a>	1,82 €	25	Rubber sleeve for door glass	<a href="#">272075</a>	2,50 €
30	Spring, window lifter	<a href="#">272115</a>	42,52 €	34	Chr. escutcheon,->'67, "B"-quality	<a href="#">276006</a>	69,02 €
35	Washer Kit for Mounting Window Regulator - 1237200114	<a href="#">272752</a>	10,88 €	37	Window crank handle 63-70 replacemt	<a href="#">276901</a>	49,50 €
37	Handle MB,W123-design, usable '70-'82	<a href="#">776001</a>	3,67 €	37	Handle W123-design, repro, simplified	<a href="#">776801</a>	14,28 €
37	Window crank 1967 - 02.1970	<a href="#">276003</a>	49,50 €	37	Window crank handle 63-70 replacemt	<a href="#">276001</a>	133,64 €
37	Handle w.knob, ca. 1970-1976	<a href="#">276004</a>	41,50 €	38	Crank Pad 06.63->01.70 black	<a href="#">276090</a>	17,49 €
41	Stopper brackets, doorglass, 1 pair	<a href="#">272747</a>	32,20 €	42	Hex Nut M6 flat shaped	<a href="#">299291</a>	0,37 €

## 72.d Info window crank handle

72.d Info window crank handle

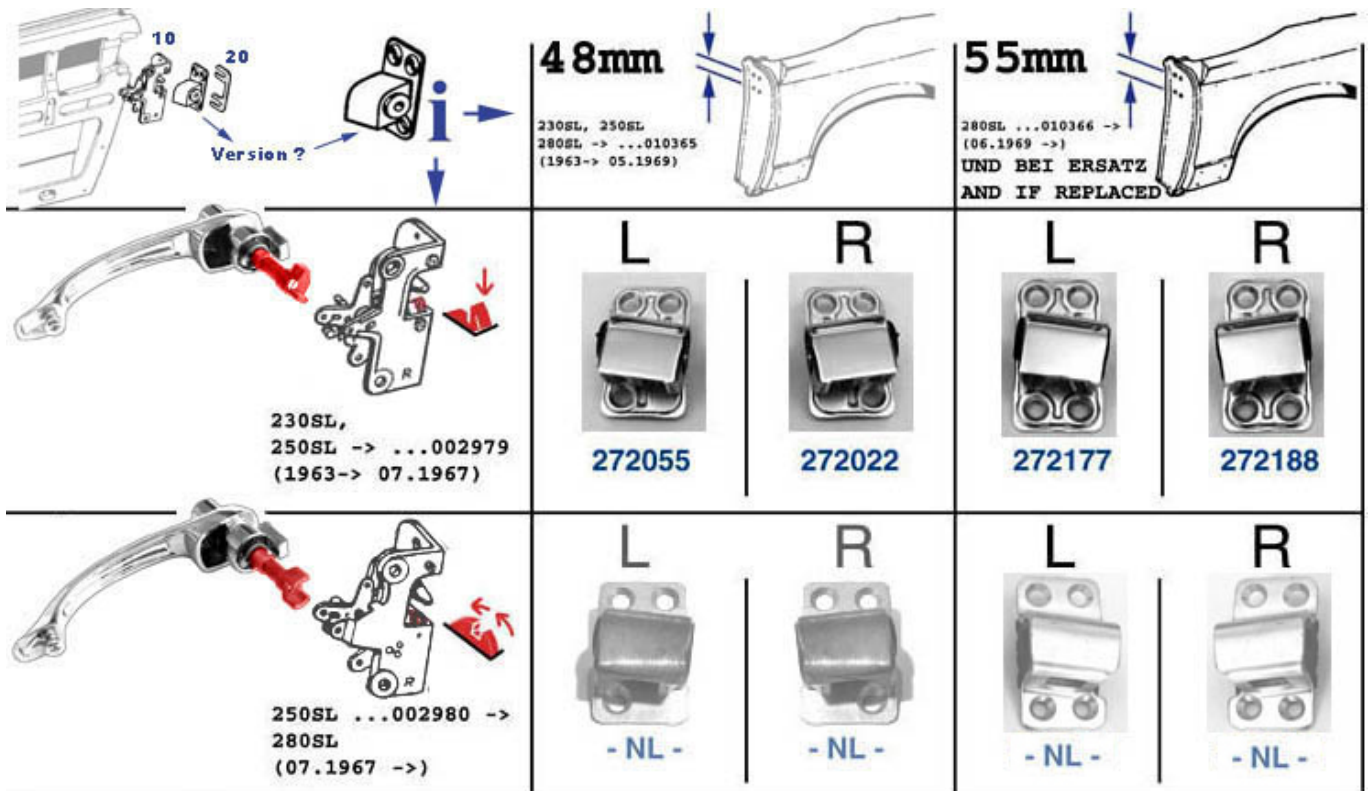


	Handle w.knob, ca. 1970-1976	<a href="#">276004</a>	41,50 €	276001	Window crank handle 63-70 replacemt	<a href="#">276001</a>	133,64 €
276001	Window crank handle 63-70 replacemt	<a href="#">276901</a>	49,50 €	276003	Window crank 1967 - 02.1970	<a href="#">276003</a>	49,50 €
776001	Handle MB,W123-design, usable '70-'82	<a href="#">776001</a>	3,67 €	776001	Handle W123-design, repro, simplified	<a href="#">776801</a>	14,28 €

## 72.b Info Door Catch

72.b Info Door Catch





"m.Sp." = Schlossmechanismus mit SPERRE GEGEN SELBSTAUSSCHLIEßEN  
 bedeutet: die FAHRERSEITIGE Tür lässt sich nicht im verriegelten Zustand zuschlagen



"m.Sp." = Locking mechanism avoids locking out yourself  
 means: impossible to slam the locked (drivers side) door

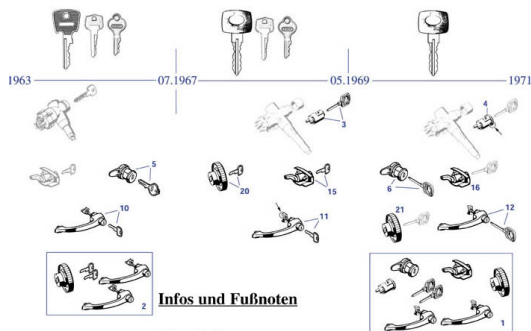
Die Liefersituation von Neuteilen ist leider veränderlich, bitte aktuell erfragen. Bei der Suche nach  
 Gebrauchtteilen kann auf ggf. andere Mercedes-Typen ähnlichen Baudatums ausgewichen werden,  
 auch Limousinen. Bei Unsicherheiten beraten wir Sie gern.

The availability of new lock mechanism parts is fluctuating. When required you may luckily find  
 used parts from MB-vehicles of similar production date. Don't hesitate to require advisory service.

	Locking cylinders set, up to 05.1969	<a href="#">289808</a>	899,99 €	10	late lock mechanism LH, w. prot-lock	<a href="#">272063</a>	572,25 €
10	late lock mechanism RH, no prot-lock	<a href="#">272062</a>	457,70 €	18	lock mechanism LH, w. prot-lock	<a href="#">272050</a>	478,39 €
18	lock mechanism RH, no prot-lock	<a href="#">272051</a>	432,21 €	20	Distancer, milled, ca. 1,35mm	<a href="#">172074</a>	35,05 €
20	Distancer, 1,5mm, door catch '69->..	<a href="#">572012</a>	4,75 €	20	distancer 0,5mm flat , door catch '69->..	<a href="#">872012</a>	4,76 €
272020	Door catch RH, ca. 06.'69 to 08.'85	<a href="#">272620</a>	107,10 €	272021	Door catch LH, ca. 06.'69 to 08.'85	<a href="#">272621</a>	107,10 €
272022	Door catch RT. 07.61->'67 3-hole	<a href="#">272022</a>	91,25 €	272055	Door catch Lt. R113 07.61->'67 3-hole	<a href="#">272055</a>	91,45 €

## 89 Locking System

89 Locking System



### Infos und Fußnoten

#### Einzelteile

Wie abgebildet sind Zylinder und Zylindereinzeltteile der Tür- bzw. Kofferraumschlösser nicht separat erhältlich.

Bis FN (7) Einzelteile meist mit zufälliger Schließung und neuem Schlüssel („Werkstattausführung“)

Auf Wunsch können Teile passend zur fahrzeugspezifischen Schließung bestellt und angefertigt werden.

Bitte senden Sie uns dazu

- Fahrgestellnummer
- Eigentumsnachweis über das Fahrzeug
- Ihren Auftrag an uns schriftlich
- Schließnummer
- Datenkarte und/oder Schloss-Hersteller (HUF oder YMOS)

Mit mehrwöchiger Lieferzeit muss gerechnet werden, insbesondere wenn die Schließnummer ermittelt werden muss.

Ab FN (8) - Einsatz, Hauptschließung: nicht alle Einzelteile in Werkstattausführung lieferbar. Die o.g. Angaben sind dann generell erforderlich.

3	Lenkschloss-Zylinder mitte (4,11), zufällige Schließung .....	246054
4	Lenkschloss-Zylinder spät (12), für Fzg.-Schließung .....	246074
5	Handschuhkastenschloss 230-250SL, 280SL früh (7) .....	268055
6	Handschuhkastenschloss 280SL spät (8) .....	868055
10	Türgriff früh (3) links, zufällige Schließung .....	276100
	Türgriff früh (3) rechts, zufällige Schließung .....	276200
11	Türgriff mitte (4,7) links, zufällige Schließung .....	276102
	Türgriff mitte (4,7) rechts, zufällige Schließung .....	276202
12	Türgriff 280SL spät (8) links, zufällige Schließung .....	276104
	Türgriff 280SL spät (8) rechts, zufällige Schließung .....	276204
15	Heckschloss mitte (2,7), zufällige Schließung .....	275030
16	Heckschloss 280SL spät (8), für Fzg.-Schließung .....	275032
20	Chrom Tankdeckel früh (7), zufällige Schließung .....	147010
21	Chrom Tankdeckel 280SL spät (8), für Fzg.-Schließung .....	147009

#### Schließsätze zufällige Schließung („Werkstattausführung“)

1	komplett Satz 280SL spät (12) mit Hauptschließung .....	289110
	Umrüstung ist ab 250SL (4) und 280SL möglich. Bis 280SL früh (12) passt der mitgelieferte Lenkschlosszylinder aber nicht zum Schlossgehäuse. <i>Tipp:</i> Zyl.-Innentteile tauschen.	
2	Satz Tür und Tankdeckel früh (3) nur „Pagen-Bereich“ .....	289100

#### SLS Fußnoten bezogen auf standard-LHD-Fahrzeuge mit orig. Ausstattung, Ausnahmen bei Export (USA)

(1): 230SL früh: Heckschlossgehäuse große Ausführung:

Achtung: aktuelles Ersatzteil „Heckbeplankung“ hat kleine Bohrung.

(2): 230SL ab FG ...? neu: Heckdeckelschlossgehäuse verkleinert.

(3): 230SL, 250SL bis FG ...002979 / bis Juli 1967

(4): 250SL ab FG ...002980 / ab Juli 1967

(7): 280SL bis FG ...010355 / bis Mai 1969

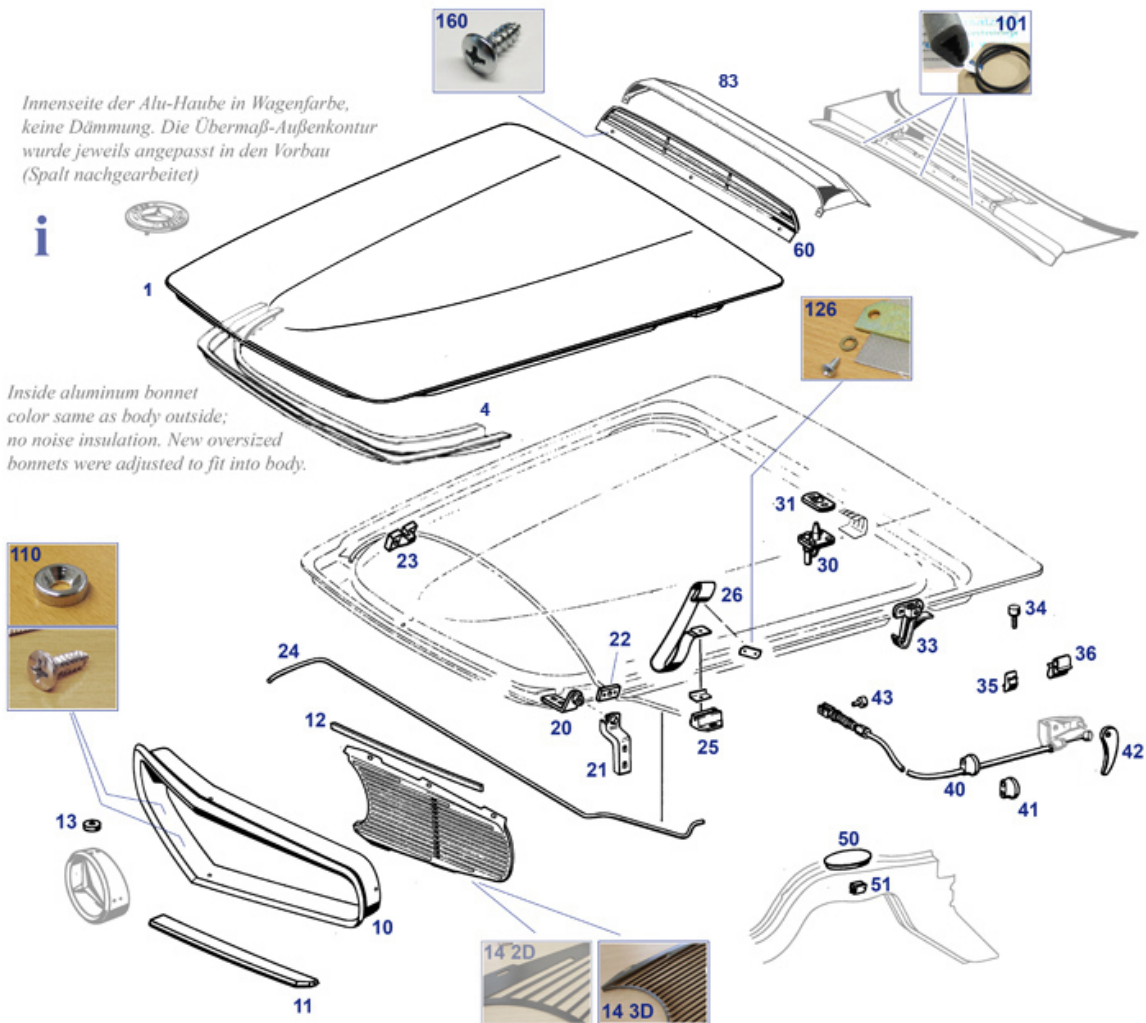
(8): 280SL ab FG ...010356 / ab Mai 1969

(11): 280SL bis FG ...012689

(12): 280SL ab FG ...012690

## 75, 88 Trunk, Softtop-Box, Bonnets/Lids

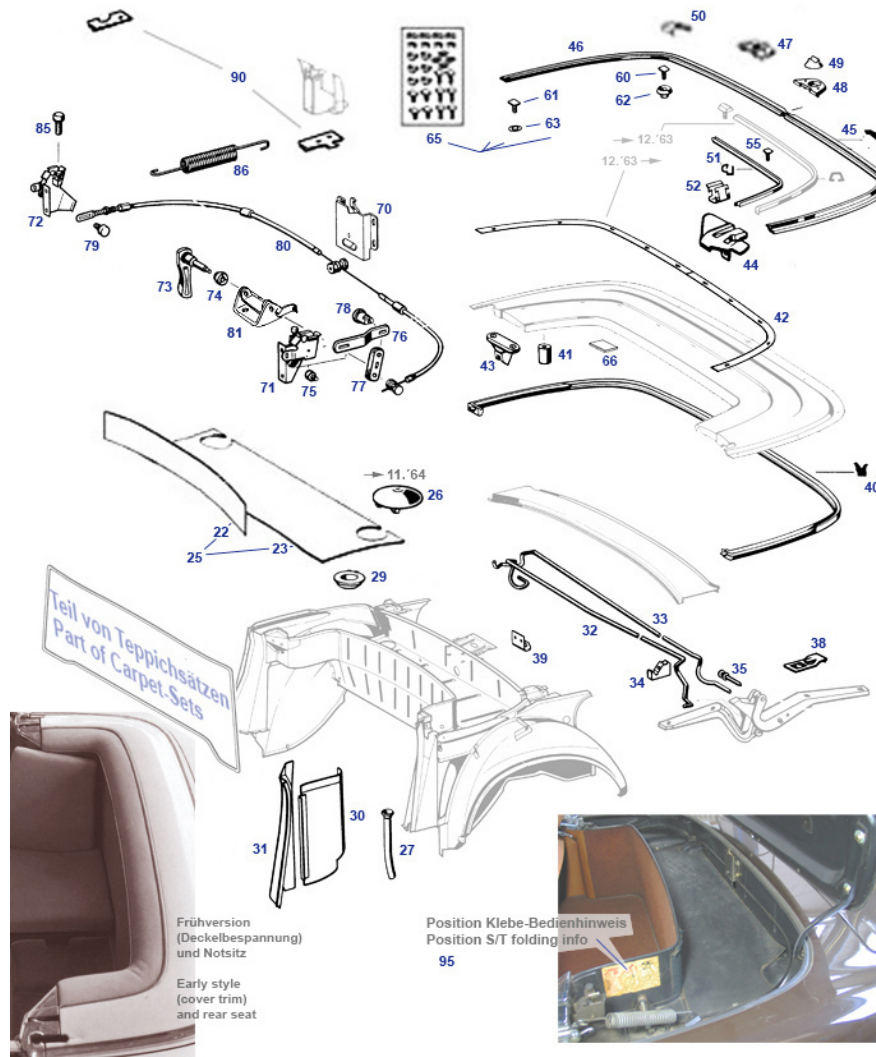
### 88 Engine Bonnet and Grille Garnish



	Grille frame, Repro	<a href="#">288711</a>	702,10 €	star	Washer 4,3 yellow zined	<a href="#">299282</a>	0,08 €
star	Spring washer M4 yellow zined	<a href="#">299283</a>	0,08 €	star	Hex Nut, M4	<a href="#">799919</a>	0,20 €
1	Alu-bonnet, Repro. As genuine: needs outline creation	<a href="#">288900</a>	4.843,97 €	4	Rep.-Section bonnet frame frt, Alu	<a href="#">288801</a>	449,97 €
10	chromed nose frame REPRO	<a href="#">288111</a>	619,86 €	10	Hex nut M5, zined	<a href="#">299919</a>	0,18 €
11	Washer,waved shape,M5, zined	<a href="#">142904</a>	0,25 €	11	Dec. Strip, grille, Lt. Repro	<a href="#">288033</a>	239,99 €
11	Dec. Strip, grille, Rt., Repro	<a href="#">288044</a>	239,99 €	11	Bolt M5/hex8, frt grille mouldings	<a href="#">288049</a>	0,32 €
11	Pair dec. chrome rails in front grille, repro	<a href="#">288834</a>	279,65 €	12	Pad, rear compt.fr.wall	<a href="#">268194</a>	13,45 €
13	Shim, canister to surround	<a href="#">188072</a>	11,63 €	13	Washer, Star/frame	<a href="#">288047</a>	0,55 €
13	Bolt M5x10,i.e. Star->Frame, industrial chrome finish	<a href="#">288048</a>	1,45 €	14_3D	Washer, e.g. screws @ mesh	<a href="#">299045</a>	0,21 €
14_3D	Radiator mesh, similar 1138800385, LH	<a href="#">288055</a>	264,44 €	14_3D	Radiator mesh, similar 1138800485, RH	<a href="#">288066</a>	264,44 €
14_3D	Metal screw 4,2x13 SW7   N007976004203	<a href="#">299044</a>	0,44 €	20	Support,hood,inner, left	<a href="#">288030</a>	28,64 €
20	Support,hood,inner, Rt.	<a href="#">288040</a>	29,39 €	21	Support, hood, outer, Lt.	<a href="#">288010</a>	28,64 €
21	Screw M6 e.g. Bonnet hinges	<a href="#">299289</a>	0,38 €	21	Support, hood, outer, Rt.	<a href="#">288020</a>	28,64 €
22	Screw M5 e.g. Bonnet spring brackets	<a href="#">299287</a>	0,50 €	22	Plate, hood support rod, left	<a href="#">288805</a>	13,65 €
23	Plate, hood spring rt	<a href="#">288806</a>	12,45 €	23	Plate, hood spring rt	<a href="#">288706</a>	14,99 €
24	Torsion bar, hood	<a href="#">288725</a>	105,90 €	24	Rubber sleeve	<a href="#">243859</a>	2,38 €
25	Bracket, hood support rod	<a href="#">288807</a>	16,60 €	25	Bracket, black rubber reproduction	<a href="#">288707</a>	15,67 €
30	Bonnet catch, short neck, steel	<a href="#">588012</a>	399,92 €	30	Screw, countersunk, M6 e.g. bonnet lock	<a href="#">299285</a>	0,44 €

30	Hood catch, lower, short neck / Alu	<a href="#">288002</a>	408,88 €	30	Bonnet catch, long neck	<a href="#">388002</a>	408,88 €
31	washer M6, yellow zinced	<a href="#">299125</a>	0,21 €	31	Spring washer A6 zinc plated	<a href="#">299127</a>	0,21 €
31	Screw M6x18 e.g. Filter box	<a href="#">109024</a>	0,38 €	31	Hood catch, upper	<a href="#">288001</a>	23,40 €
33	Screw M5 e.g. safety hook @ bonnet	<a href="#">299286</a>	0,26 €	33	Safety hook, hood catch	<a href="#">288831</a>	39,87 €
33	Spring washer M5	<a href="#">299325</a>	0,11 €	34	Hex Nut M6 flat shaped	<a href="#">299291</a>	0,37 €
35	clip, e.g. wire fixture 190SL, R113, R/C107	<a href="#">254874</a>	1,50 €	40	Hood Release Cable (LHD)   A1138800759	<a href="#">288004</a>	33,50 €
41	Rubber grommet 3 way, bonnet cable	<a href="#">298778</a>	3,55 €	42	handle, opener, bonnet	<a href="#">288015</a>	3,87 €
50	Cover, front subframe mount	<a href="#">268010</a>	11,90 €	51	Clip,cover	<a href="#">268009</a>	1,74 €
60	Chrome Air intake ornamental mesh, Repr	<a href="#">283720</a>	731,22 €	83	Screw	<a href="#">799931</a>	0,24 €
83	Panel screw, lens head 3,5x13 vent hood	<a href="#">283031</a>	0,18 €	83	Screw, R/C107, R113	<a href="#">272724</a>	0,51 €
83	hood above air duct grille, Repr doesn't meet genuine Quality	<a href="#">283820</a>	175,77 €	101	protection rubber, 1 Meter, div purpose	<a href="#">398012</a>	13,01 €
110	Screw @ front grille	<a href="#">188071</a>	1,79 €	110	Washer, chrome, high shape, fits up to 4mm screws	<a href="#">288013</a>	2,99 €
110	Screw @ front grille, hi gloss chromed	<a href="#">188171</a>	1,61 €	126	bonnet strap mounting plates, 1 pair	<a href="#">288824</a>	11,50 €

## 75.c Softtop Box

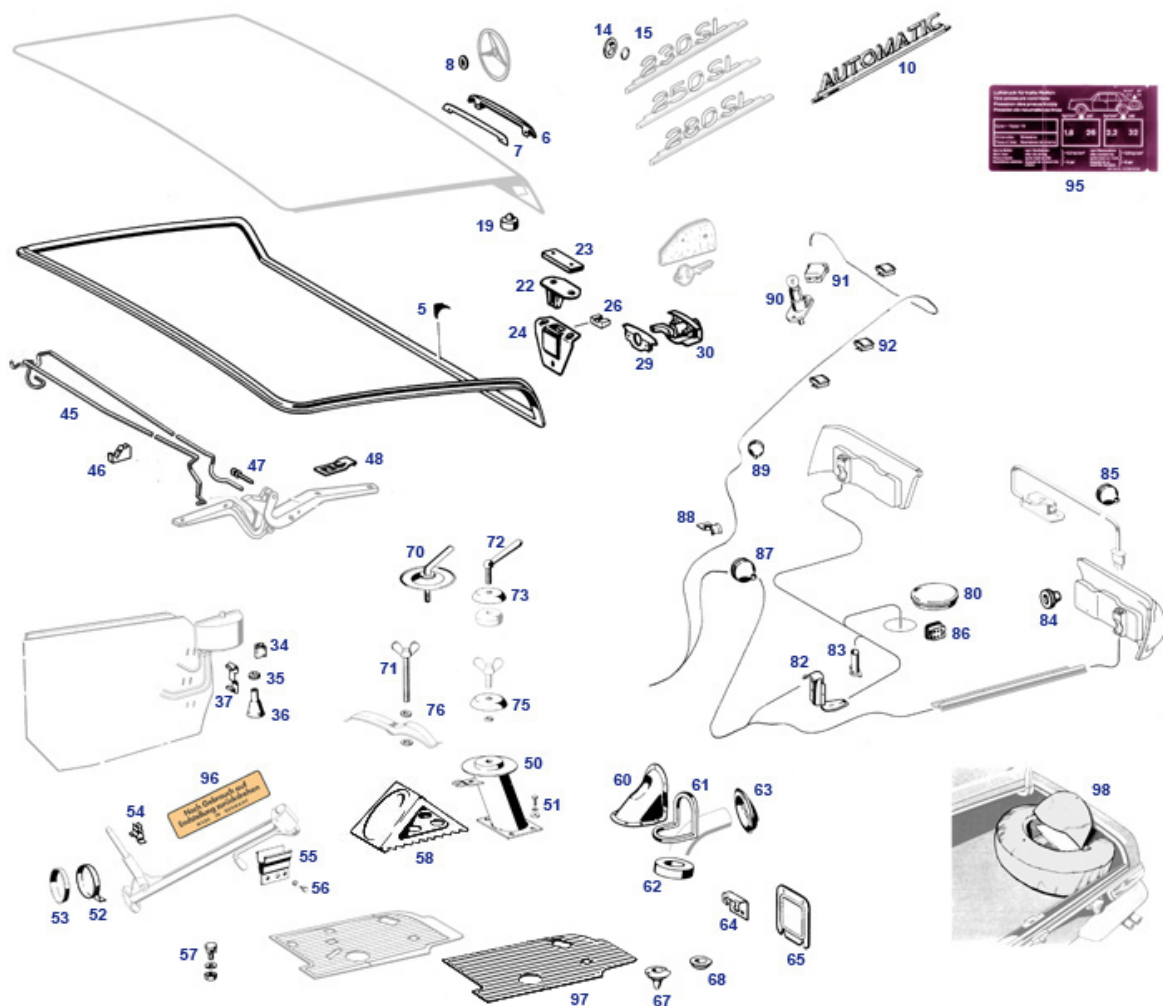


Spring washer M6	<a href="#">142158</a>	0,15 €
Countersunk screw, lock frame, zinc plated	<a href="#">275265</a>	0,39 €

Spring clip nut, 4,2, e.g. wing 107,...	<a href="#">299028</a>	0,33 €
Clip nut, trunk hood	<a href="#">175015</a>	19,75 €

22	Pad, rear compt.fr.wall	<a href="#">268194</a>	13,45 €	23	Insulation lower box cover	<a href="#">268193</a>	80,63 €
25	2 pcs. softtop box damping, simple quality	<a href="#">268893</a>	58,55 €	27	Run-off / drip hose, S/T compartment	<a href="#">279032</a>	11,25 €
29	Rubber plug 32mm	<a href="#">398780</a>	1,44 €	30	Screw 4.2 e.g. at 298043	<a href="#">299278</a>	0,38 €
30	Cover plate , rear, left	<a href="#">269170</a>	174,99 €	30	Cover plate , rear, Rt.	<a href="#">269180</a>	174,99 €
31	Escutcheon fitting panelling screws diam 3,9	<a href="#">267014</a>	0,89 €	31	Raw blank inner cover B-pillar LH	<a href="#">269165</a>	155,00 €
31	Raw blank inner cover B-pillar RH	<a href="#">269166</a>	155,00 €	31	Screw (sill to wheel arch)	<a href="#">288133</a>	0,50 €
32	1 pair torsion springs, both rear lids	<a href="#">277829</a>	189,00 €	34	Support, torsion bars	<a href="#">277239</a>	15,95 €
35	Bolt	<a href="#">277241</a>	48,66 €	38	washer, 6,4 e.g. boot hinge	<a href="#">175005</a>	0,36 €
39	Haltewinkel bei Verdeckkasteneinbau	<a href="#">264751</a>	34,51 €	40	Seal, box cover, non genuine	<a href="#">275860</a>	76,23 €
40	Seal, 230-280SL @ soft top lid OEM Quality	<a href="#">275060</a>	178,50 €	40	Seal, 4-Seat-113, body underneath hardtop	<a href="#">275864</a>	898,99 €
41	Rubber buffer, hood shelf, R113	<a href="#">298043</a>	4,88 €	42	Hidden rail in upholstery '64->, bulky	<a href="#">277235</a>	145,04 €
43	Washer 6.4 large, yellow zinc	<a href="#">299276</a>	0,18 €	43	Locking spring washer	<a href="#">299277</a>	0,21 €
43	lock upper part, ref.No. A1137500585	<a href="#">277223</a>	116,00 €	43	Screw, Phillips M6, e.g. locks upper	<a href="#">299275</a>	0,44 €
44	Chrome cap B-pillar left 230SL up to 02.1966	<a href="#">269829</a>	243,95 €	44	Chrome cap B-pillar RH 230SL up to 02.1966	<a href="#">269839</a>	243,95 €
44	Screw, stainless, fits 269230/240	<a href="#">269842</a>	1,19 €	44	Flat headed screw M4x7 chrome	<a href="#">269243</a>	0,19 €
44	Chrome cap B-pillar left, from 03.'66	<a href="#">269830</a>	285,66 €	44	Chrome Cap B-pillar RT from 03.'66	<a href="#">269840</a>	285,66 €
44	square nut, b-pillar cap	<a href="#">269241</a>	10,77 €	45	Chrome strip, inner, Lt.	<a href="#">275300</a>	504,39 €
46	Chrome strip, inner, Rt.	<a href="#">275400</a>	504,39 €	47	Chrome escutcheon 230SL ->008115	<a href="#">275844</a>	69,02 €
47	Chrome escutcheon 230SL ->008115	<a href="#">275044</a>	83,90 €	48	Escutcheon, chrome, rear, m	<a href="#">275845</a>	69,02 €
48	Nut	<a href="#">299035</a>	0,17 €	48	Washer for 299034	<a href="#">299038</a>	0,12 €
48	Rubber washer, rear compt.	<a href="#">299036</a>	0,26 €	48	Escutcheon, chrome, rear, m	<a href="#">275045</a>	74,55 €
49	Seal, escutcheon rear S/T lock pin	<a href="#">279035</a>	8,69 €	50	Chrome cover for trim strip	<a href="#">275350</a>	95,90 €
51	Chrome strip, inner, Rt.	<a href="#">277400</a>	277,98 €	51	A1137580181 Chrome strip, inner, Lt.	<a href="#">277300</a>	277,98 €
52	Clip, hood boot cover strips (front trim)	<a href="#">298678</a>	1,01 €	52	Clip, st-box-chrome strips	<a href="#">298178</a>	3,45 €
60	Screw, square head, similar 1139900033	<a href="#">299034</a>	4,17 €	61	Screw, square head, dec. strip	<a href="#">299033</a>	5,14 €
70	Hex nut M6, yellow zinc.	<a href="#">181023</a>	0,18 €	70	Washer 6,5 x 13	<a href="#">799915</a>	0,17 €
70	Locking washer M6	<a href="#">299273</a>	0,21 €	70	Pin	<a href="#">277238</a>	7,08 €
70	Lock, lower part, ctre softtop rr catch	<a href="#">277228</a>	262,56 €	70	Spring, rear softtop lock	<a href="#">277234</a>	21,85 €
71	Hex Bolt M6 x 10 yellow zinc	<a href="#">299997</a>	0,35 €	73	Chrome handle, top + ST-boot opening	<a href="#">277224</a>	214,90 €
74	Spacer washer,chrome lever	<a href="#">277237</a>	23,50 €	76	Schubstange am Deckelzug	<a href="#">277226</a>	88,05 €
77	Lever, control rod	<a href="#">277230</a>	33,65 €	78	Pin @ link, incl screw+shim	<a href="#">277236</a>	55,14 €
80	Clamp e.g. 6mm lines, wiring, ..	<a href="#">398047</a>	0,13 €	80	Screw 3,9	<a href="#">299279</a>	0,27 €
80	Seilzug f. Verdeckkastendeckel	<a href="#">277825</a>	89,99 €	80	Clamp 5mm e.g. brake lines	<a href="#">143038</a>	0,50 €
80	Cable, soft top hatch	<a href="#">277225</a>	149,99 €	81	Screw M6 e.g. Bonnet hinges	<a href="#">299289</a>	0,38 €
81	Support, lid opener wire linkage	<a href="#">277248</a>	274,89 €	85	Hex Nut M6 flat shaped	<a href="#">299291</a>	0,37 €
86	Compensating spring, left/right	<a href="#">272221</a>	22,81 €	90	Grip washer M8	<a href="#">299274</a>	0,29 €
90	Screw engine mount rear	<a href="#">222025</a>	0,80 €	95	Label set, 9 piece, self adh.	<a href="#">299950</a>	30,64 €

## 75.6 Boot Lid and Trunk Equipment



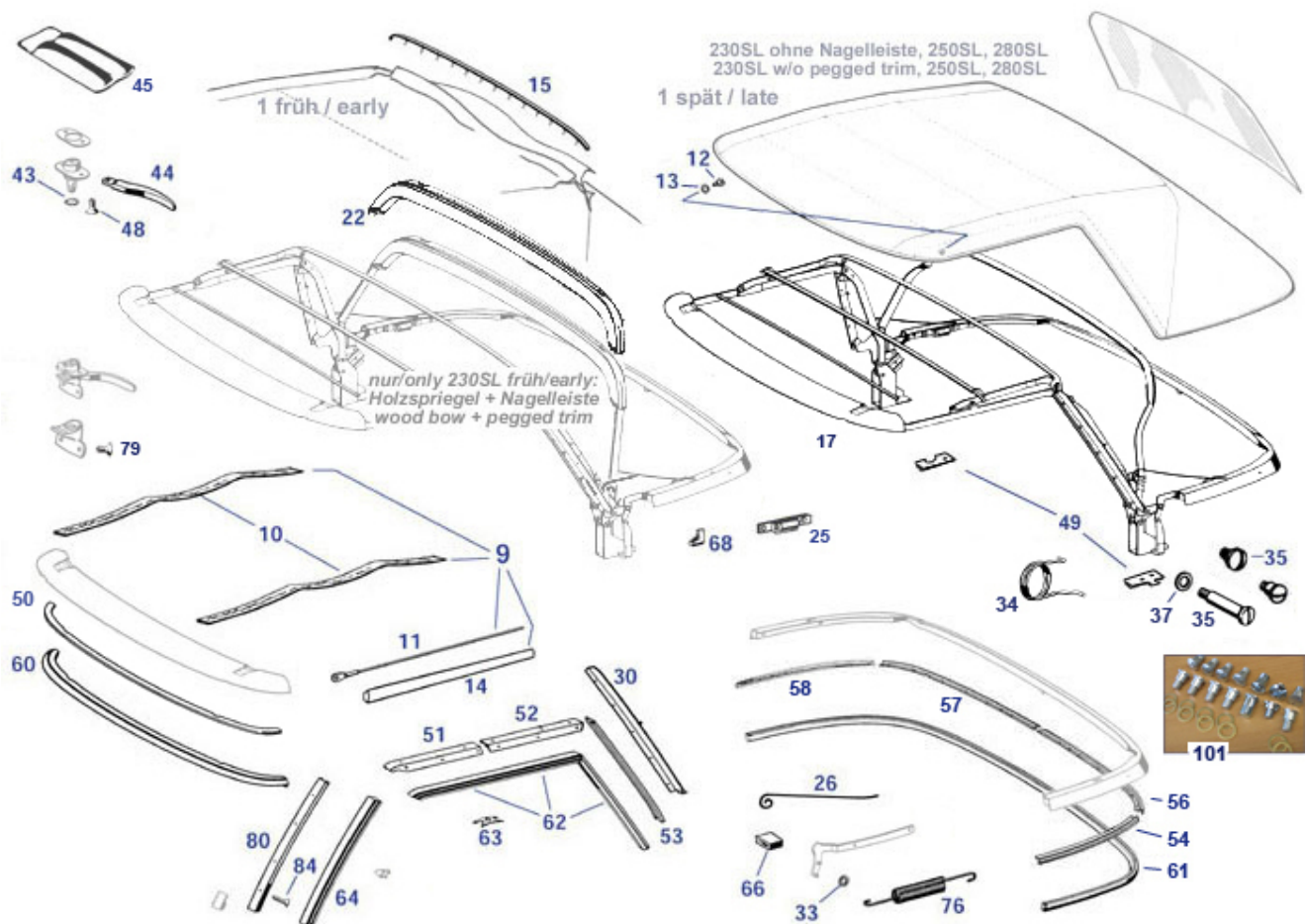
5	Trunk seal 230-280SL repro	<a href="#">275805</a>	60,43 €	5	Seal, 230-280SL trunk lid	<a href="#">275005</a>	184,99 €
6	Handle, chrome, trunk lid	<a href="#">275010</a>	160,00 €	6	Spring washer M5	<a href="#">299325</a>	0,11 €
6	Bolt M5x10,i.e. Star->Frame, industrial chrome finish	<a href="#">288048</a>	1,45 €	7	Rbr underlay,boot lid handle 113,111,10	<a href="#">275011</a>	7,82 €
7	N/A ! A1087580105 rubber, trunk handle	<a href="#">275811</a>	5,84 €	8	Rubber washer	<a href="#">175012</a>	1,11 €
8	galvanized M8 Nut   N004032008005	<a href="#">222026</a>	0,21 €	8	Washer 8,4mm, standard, yellow zincd	<a href="#">299326</a>	0,11 €
10	Type designation: Automatic	<a href="#">281025</a>	100,00 €	12	Type designation: 250SL	<a href="#">281021</a>	145,00 €
14	Clip, 'Automatic'	<a href="#">281024</a>	0,20 €	14	Clip, inner diam. 3.5mm, fits pins 4mm	<a href="#">281026</a>	1,18 €
15	O-Ring blk rubber, eg Type signs	<a href="#">281027</a>	0,13 €	19	Rubber buffer, trunk	<a href="#">298044</a>	1,01 €
19	Rubber buffer, trunk lid	<a href="#">298042</a>	1,87 €	22	Bolt M6 x 14, Phillips	<a href="#">977021</a>	0,36 €
22	Countersunk screw, lock frame, chrome plated	<a href="#">277265</a>	1,26 €	23	shim 1mm, catch underlay, height adjustment	<a href="#">375039</a>	8,01 €
24	Countersunk screw, lock frame, zinc plated	<a href="#">275265</a>	0,39 €	26	Buffer, trunk lid catch,fits casted bod	<a href="#">775138</a>	3,00 €
29	Collar nut M5 locking, e.g. trunk lock	<a href="#">299336</a>	0,46 €	29	Underlay rubber, trunk lock	<a href="#">275831</a>	11,06 €
30	Locking cyl. with 2 keys	<a href="#">275830</a>	189,21 €	34	Clip, cable	<a href="#">254073</a>	1,09 €
35	Grommet, 4,5/10mm, cable@wheelarch	<a href="#">182005</a>	2,53 €	36	Sleeve, tank ventilation	<a href="#">247079</a>	7,95 €
36	Grommet, tank vent pipe through carbody	<a href="#">147070</a>	6,52 €	37	Clip,tank ventilating pipe	<a href="#">247055</a>	17,30 €
37	Clamp, expansion tank 6mm/9mm	<a href="#">247069</a>	9,70 €	45	1 pair torsion springs, both rear lids	<a href="#">277829</a>	189,00 €
46	Washer, e.g. screws @ mesh	<a href="#">299045</a>	0,21 €	46	Hex nut M5, zincd	<a href="#">299919</a>	0,18 €
47	Bolt	<a href="#">277241</a>	48,66 €	48	Clip nut, trunk hood	<a href="#">175015</a>	19,75 €
48	washer, 6,4 e.g. boot hinge	<a href="#">175005</a>	0,36 €	48	Screw M6 e.g. Bonnet hinges	<a href="#">299289</a>	0,38 €
50	Spare wheel holder	<a href="#">240015</a>	463,60 €	51	Spring washer, fits M6	<a href="#">181028</a>	0,18 €

51	Washer 6.4 large, yellow zined	<a href="#">299276</a>	0,18 €	51	Screw M6x18 e.g. Filter box 190SL,bonnets, ..	<a href="#">109024</a>	0,38 €
53	Rubber pan, jack storage support (foot)	<a href="#">259998</a>	18,21 €	54	Lug wrench holder	<a href="#">164041</a>	15,33 €
55	Bracket, large, Jack @ Boot floor	<a href="#">264054</a>	133,15 €	56	panelling screw Hex8, e.g. bumper 12 ft / 26 rr	<a href="#">799938</a>	0,32 €
56	Panelling screw 5,5 x 16 (hex head 8mm)	<a href="#">288059</a>	0,60 €	57	Clamping Bolt M6 for square bodypanel holes	<a href="#">188036</a>	8,45 €
58	Wing nut M8, e.g. wheel shoe @ support	<a href="#">258111</a>	1,57 €	58	Safety wedge f.tyre service	<a href="#">258110</a>	286,20 €
60	Tapping screw Phillips 4,2x9,5	<a href="#">799936</a>	0,15 €	60	Cover plate, filler neck	<a href="#">269020</a>	31,77 €
61	16 m sealing compound strip 3mm black	<a href="#">699996</a>	10,59 €	61	Edge protection profile mtr, eg trunk	<a href="#">269010</a>	3,80 €
62	Sealing ring, filler neck->boot cover, rear panel, inner	<a href="#">269030</a>	7,13 €	64	Bracket, inner rear panel	<a href="#">264750</a>	35,69 €
65	cover, rear panel, inner	<a href="#">269033</a>	48,52 €	67	Grommet 4/20mm, 1 hole, drain	<a href="#">399009</a>	1,71 €
68	Plug, 32mm, e.g. boot, ..Repro	<a href="#">268309</a>	1,81 €	68	Rubber plug, 20mm	<a href="#">298780</a>	0,94 €
68	Rbr plug 17,5mm	<a href="#">398995</a>	1,17 €	70	A1158900014 Screwplate with offset lev	<a href="#">240014</a>	240,00 €
71	Wing screw 230SL FN	<a href="#">240006</a>	42,53 €	72	Cone handle screw, horiz.spare tyre	<a href="#">240018</a>	115,00 €
75	Plate, spare tyre screw	<a href="#">240019</a>	65,55 €	76	A3269900740 Washer, wing screw round cover above fuel	<a href="#">240009</a>	16,54 €
80	Cover above fuel sender, plastic,black	<a href="#">347014</a>	7,79 €	80	sender,Repro	<a href="#">247814</a>	5,20 €
80	Cover above fuel sender, rubber version	<a href="#">147016</a>	14,02 €	84	Milled M5 nut, plastic, white	<a href="#">282655</a>	7,04 €
84	Milled M5 nut, plastic w insert	<a href="#">282855</a>	3,30 €	85	Grommet 6/26	<a href="#">299819</a>	3,15 €
87	Rubber grommet	<a href="#">299005</a>	2,59 €	88	Clamp e.g. 6mm lines, wiring, ..	<a href="#">398047</a>	0,13 €
88	Screw	<a href="#">799931</a>	0,24 €	90	Trunk(boot) light and switch '59-'85	<a href="#">282022</a>	40,58 €
90	A0008210252 Door switch, version flat poles	<a href="#">182021</a>	28,98 €	90	Bulb, e.g. trunk light	<a href="#">282033</a>	2,50 €
92	Spring clip for Rt.+Lt. cable	<a href="#">254071</a>	0,83 €	96	Label set, 9 piece, self adh.	<a href="#">299950</a>	30,64 €
97	Rubber mat, boot, RT, black reproductio	<a href="#">268400</a>	23,18 €	97	Rubbermat trunk from VIN, B-quality,res	<a href="#">268700</a>	284,29 €
97	Rubber mat trunk early / wheel standing	<a href="#">268701</a>	387,35 €	98	Vinyl covering, spare tyre (horiz-lev)	<a href="#">289889</a>	221,99 €
98	Tool bag without tools	<a href="#">258806</a>	48,79 €	610	Right Trunk Cover   Paper Board+foam	<a href="#">268610</a>	88,88 €

## 77, 79 Softtop & Hardtop

### 77.a, Softtop frame and equipment

77.a, Softtop frame and equipment



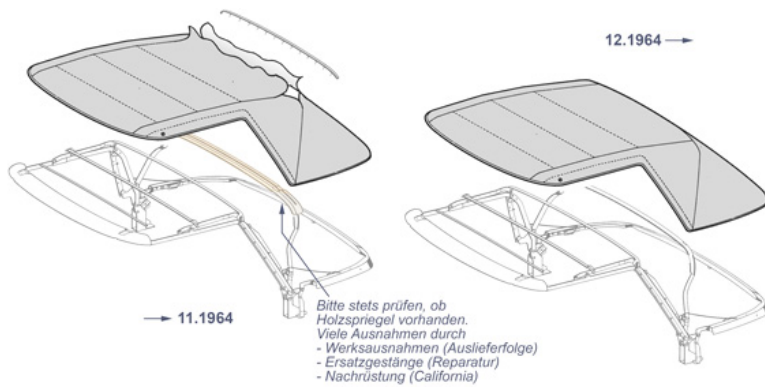
	Seilzug f. Verdeckkastendeckel	<a href="#">277825</a>	89,99 €		spacer for softtop frame for height balance	<a href="#">277253</a>	22,14 €
	spacer for softtop frame for height balance,1pc.	<a href="#">277254</a>	19,50 €		Countersunk screw, lock frame, zinc plated	<a href="#">275265</a>	0,39 €
10	Set strap belts f.softtop, black, R113	<a href="#">276701</a>	44,63 €	10	Set strap belts f.softtop, beige, R113 & W107	<a href="#">276772</a>	71,39 €
10	Set strap belts f.softtop, black, R113 & W107	<a href="#">276771</a>	41,65 €	11	1 pair wires, S/T above side-window, like original	<a href="#">777890</a>	39,98 €
11	1 pair wires, S/T above side-window	<a href="#">777090</a>	24,00 €	12	Chrome screw M4, e.g. wire at canvas	<a href="#">277052</a>	1,79 €
13	escutcheon e.g. screw 277052, ..	<a href="#">277053</a>	3,42 €	14	damping strip f.softtop fabric, L or R fitting, OE-quality	<a href="#">277106</a>	36,10 €
14	damping strip at softtop cloth LH or RH fitting	<a href="#">277806</a>	31,74 €	15	ledge soft top chrome trim, 230SL early frames	<a href="#">277800</a>	245,00 €
17	Softtop frame, Repro	<a href="#">277710</a>	5.950,00 €	22	Wood bow 230SL ->07640 + FN !!	<a href="#">277037</a>	322,00 €
25	Top catch, FN , Right	<a href="#">277022</a>	177,91 €	25	Top catch, FN ,left	<a href="#">277033</a>	177,91 €
26	Hold-off wire 230 SL	<a href="#">277811</a>	25,59 €	30	A1137700434 Softtop holding rail, Rt.	<a href="#">272024</a>	359,36 €
30	A1137700334 Softtop holding rail, Lt.	<a href="#">272023</a>	359,36 €	34	Coil spring S/T hinge LH	<a href="#">277833</a>	46,99 €
34	Coil spring S/T hinge RH	<a href="#">277834</a>	39,00 €	35	Rep-Idea: Frame bolt M10 fine	<a href="#">298033</a>	8,22 €
35	Bolt, Softtop frame, see pict.	<a href="#">298026</a>	14,10 €	35	S/T Frame Bolt Ctr-sunk + cyl	<a href="#">298024</a>	7,46 €
35	Bolt at softtop frame 2x req	<a href="#">298025</a>	21,21 €	35	Bolt at softtop frame 2x req	<a href="#">298023</a>	7,97 €



35	Bolt at softtop frame, 8x req. M8X1	<a href="#">298022</a>	7,32 €	37	Washer, hood frame hinge	<a href="#">277019</a>	3,53 €
40	Lock, softtop or hardtop, RH	<a href="#">277020</a>	235,14 €	40	Lock, soft top or hardtop LH	<a href="#">277010</a>	235,14 €
42	Underlay, distancer, roof lock	<a href="#">277815</a>	4,02 €	43	Buffer ring on lock	<a href="#">277018</a>	2,65 €
44	Chrome handle, gen.II (67-69)	<a href="#">277045</a>	174,99 €	44	Chrome handle, gen.III (ca. 1969 - 08.'81)	<a href="#">277046</a>	167,00 €
44	Chrome handle, Generation II (67-69)	<a href="#">277845</a>	91,99 €	45	leatherbag for chrome handle red	<a href="#">258803</a>	28,62 €
45	leatherbag for chrome handle cognac	<a href="#">258804</a>	28,62 €	45	leatherbag for chrome handle black	<a href="#">258802</a>	28,62 €
48	M6 x16 bolt, counter sunk head DIN91, chromed	<a href="#">277267</a>	7,46 €	48	Countersunk screw, lock frame, chrome plated	<a href="#">277265</a>	1,26 €
50	countersunk head tapping screw 3,5X13, sealing rail 230SL	<a href="#">272723</a>	0,13 €	50	Mounting channel for S/T front rubber seal	<a href="#">277038</a>	493,85 €
51	Chrome profile upper frt LH	<a href="#">272025</a>	458,19 €	51	Chrome profile upper frt RH	<a href="#">272026</a>	458,19 €
51	Countersunk screw, rail/frame, M4x12	<a href="#">277027</a>	0,49 €	52	Chrome profile upper ctre RH	<a href="#">272028</a>	585,00 €
52	Chrome profile upper ctre LH	<a href="#">272027</a>	585,00 €	53	Chrome profile rear LH	<a href="#">272029</a>	519,99 €
53	Chrome profile rear RH	<a href="#">272032</a>	519,99 €	54	Seal holder profile, S/T LH- sideways	<a href="#">277723</a>	190,00 €
54	Screw 3,5 x 9,5, see picture	<a href="#">288081</a>	0,32 €	56	Seal holder profile, S/T LH-rear	<a href="#">277725</a>	205,99 €
57	Seal holder profile, S/T RH-rear	<a href="#">277726</a>	205,99 €	58	Seal holder profile, S/T RH- sideways	<a href="#">277724</a>	190,00 €
60	Seal, hard/soft top to body, front	<a href="#">279810</a>	53,80 €	60	Seal, hard/soft top to body, front	<a href="#">279410</a>	53,55 €
60	Seal, hard/soft top to body, front OEM Quality	<a href="#">279010</a>	63,83 €	61	countersunk washer fits e.g. screws 2,9	<a href="#">199021</a>	0,51 €
61	panelling screw, phillips, chromed	<a href="#">268133</a>	1,32 €	62	Seal, side window left ST / HT	<a href="#">272715</a>	21,97 €
62	Seal, side window Rt. ST / HT	<a href="#">272210</a>	41,65 €	62	Seal, side window Rt. ST / HT	<a href="#">272218</a>	21,97 €
62	Seal, side window Lt. ST / HT	<a href="#">272215</a>	41,65 €	63	Clip, rbr-profile to rails	<a href="#">272729</a>	2,56 €
64	Seal, A-pillar, left/right side, needs to be cutted!	<a href="#">272220</a>	25,88 €	64	Seal, A-pillar, L or R, needs t.b.cutte	<a href="#">272228</a>	13,47 €
66	Rubber buffer @ soft top, Rt.	<a href="#">272286</a>	38,85 €	66	Rubber buffer @ soft top, Lt.	<a href="#">272285</a>	38,85 €
68	Grommet, softtop frame	<a href="#">777096</a>	2,73 €	76	Compensating spring, left/right	<a href="#">272221</a>	22,81 €
79	M6 x12 bolt, counter sunk head DIN91, chromed	<a href="#">277266</a>	7,46 €	80	Chrome rail, A-pillar, Rt.	<a href="#">272726</a>	382,61 €
80	Weatherstrip seal holder, Lt.	<a href="#">272725</a>	382,61 €	84	Screw, R/C107, R113	<a href="#">272724</a>	0,51 €

## 77.b, Softtop/Verdeck Stoffbezug

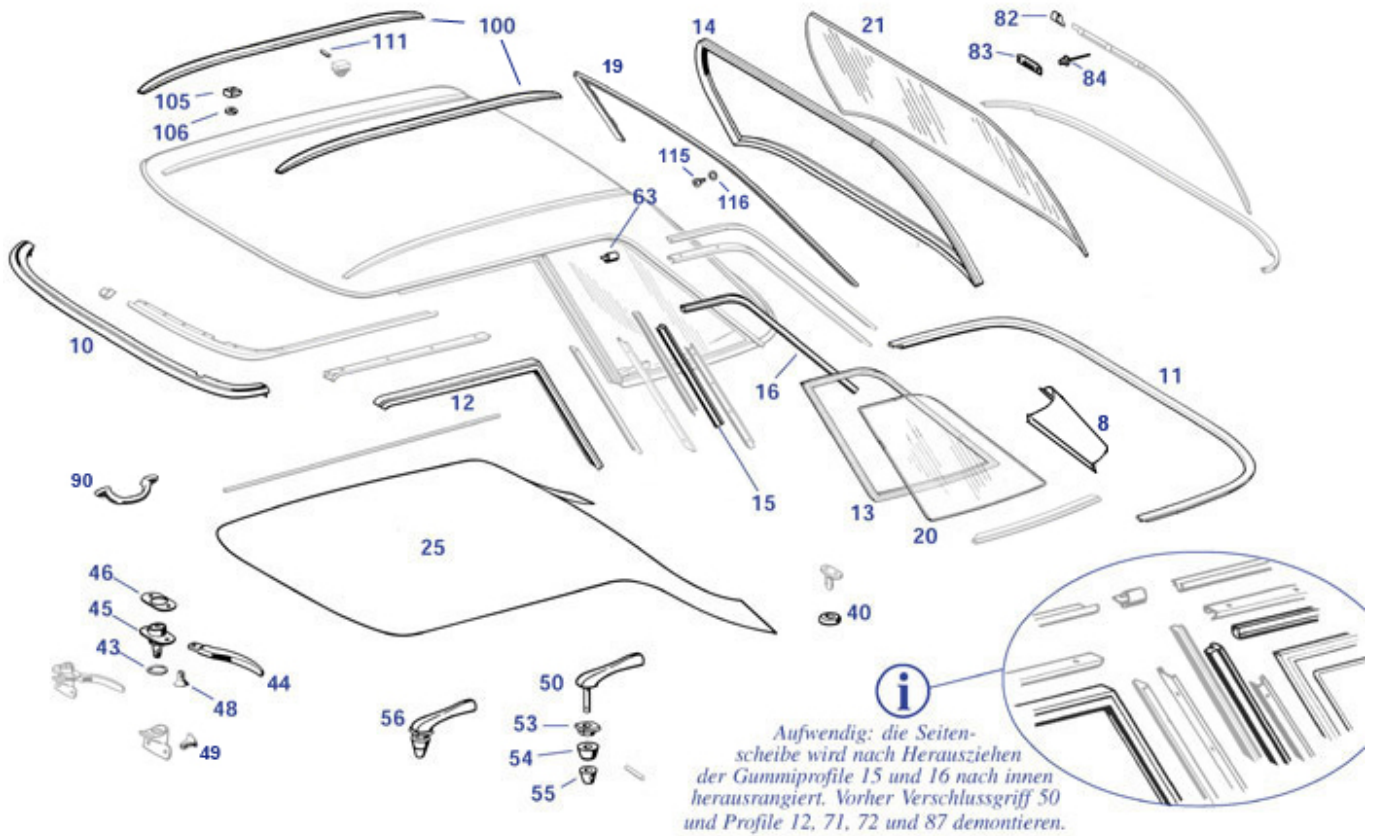
77.b, Softtop/Verdeck Stoffbezug



	Softtop hood W113 blue/blac/colour / premium	<a href="#">276582</a>	899,99 €		Set strap belts f.softtop, black, R113 & W107	<a href="#">276771</a>	41,65 €
	Set strap belts f.softtop, beige, R113 & W107	<a href="#">276772</a>	71,39 €	1	Soft-top R113 blk/beige/color	<a href="#">276302</a>	799,99 €
1	S/T fabric blk/beige/clear	<a href="#">277000</a>	844,90 €	1	Softtop hood W113 black/black premium	<a href="#">276501</a>	899,99 €
1	Soft-top R113 blk/blk/clear	<a href="#">276301</a>	799,99 €	1	Softtop hood W113 black/creme premium	<a href="#">276500</a>	1.050,00 €
1	Soft-top R113 blk/blk/color	<a href="#">276303</a>	749,70 €	1	Soft-top 230SL blk/blk/clear	<a href="#">276305</a>	773,50 €
1	Soft-top 230SL blk/beige/color	<a href="#">276306</a>	773,50 €	1	Soft-top 230SLearly blk/beige/clear	<a href="#">276308</a>	773,50 €
1	Soft-top 230SL blk/blk/color	<a href="#">276307</a>	773,50 €	2	Premium drk-blue/beige/clear, late	<a href="#">276520</a>	399,00 €
2	Soft-top R113 dk.blue/blk/clear	<a href="#">276321</a>	749,70 €	2	Economy drk-blue/beige/clear, late	<a href="#">276320</a>	749,70 €
2	Premium black/beige color, late	<a href="#">276502</a>	899,99 €	2	Soft-top 230SL dk.blue/blk/clear	<a href="#">276325</a>	773,49 €
2	Soft-top 230SL dk.blue/be/clear	<a href="#">276324</a>	773,49 €	2	Softtop R113 d.bl-blk. col	<a href="#">276323</a>	749,70 €
2	Softtop hood W113 blue/creme premium	<a href="#">276522</a>	899,99 €	3	Softtop hood W113 dark brown/creme premium	<a href="#">276530</a>	1.050,00 €
3	Softtop hood W113 brown/black premium	<a href="#">276531</a>	899,99 €	3	Soft-top R113 dk.brown/beige/clear	<a href="#">276980</a>	635,46 €
4	Verdeckbezug R113 hellbeige/beige/klar	<a href="#">276390</a>	749,70 €	4	Hellbeige/beige/klar spät Premium	<a href="#">276590</a>	999,99 €

## 79 Hardtop

79 Hardtop



	panelling screw, phillips, chromed	<a href="#">268133</a>	1,32 €		M6 x16 bolt, counter sunk head DIN91, chromed	<a href="#">277267</a>	7,46 €
	Rubber buffer 5mm,121,113,10	<a href="#">298066</a>	0,89 €		Countersunk screw, lock frame, chrome plated	<a href="#">277265</a>	1,26 €
	Self tapping screw, zinc plated	<a href="#">999981</a>	0,24 €		Countersunk screw, lock frame, zinc plated	<a href="#">275265</a>	0,39 €
8	Patch panel hardtop rr pillar LH	<a href="#">279130</a>	97,02 €	8	Patch panel Hardtop rear pillar LH	<a href="#">279140</a>	97,02 €
10	Seal, hard/soft top to body, front OEM Quality	<a href="#">279010</a>	63,83 €	10	Seal, hard/soft top to body, front	<a href="#">279810</a>	53,80 €
11	Rear lower Hardtop rubber, Repro	<a href="#">279800</a>	91,43 €	11	Seal, 4-Seat-113, body underneath hardtop	<a href="#">275864</a>	898,99 €
11	Lower Hardtop-Seal (OEM-Quality)   A1137900083	<a href="#">279100</a>	265,00 €	12	Seal, side window Lt. ST / HT	<a href="#">272215</a>	41,65 €
12	Seal, side window left ST / HT	<a href="#">272715</a>	21,97 €	12	Seal, side window Rt. ST / HT	<a href="#">272218</a>	21,97 €
12	Seal, side window Rt. ST / HT	<a href="#">272210</a>	41,65 €	13	Seal, H/T side window, referring 1136700139 = L	<a href="#">279050</a>	76,15 €
13	Seal, H/T side window, referring 1136700239 = R	<a href="#">279040</a>	76,15 €	14	Attention! Inaccurate fit	<a href="#">279830</a>	94,15 €
15	1m Seal, B-pillar, Lt./RH	<a href="#">279854</a>	22,63 €	16	1m Seal, hardtop triangular window L+R	<a href="#">279055</a>	6,95 €
19	Wood for hardtop, holes have to be adjusted	<a href="#">279031</a>	469,99 €	20	Triangular window,Lt.,clear	<a href="#">269300</a>	129,00 €
20	Triangular window,Rt.,clear	<a href="#">269400</a>	129,00 €	20	Triang.window,Lt.,green tone	<a href="#">269310</a>	149,99 €
20	Triang.window,Rt.,green tone	<a href="#">269410</a>	149,99 €	21	W/S glasstransp. incl. box(Germany)	<a href="#">967999</a>	121,25 €
21	Rear window H/T, clear	<a href="#">269000</a>	207,49 €	21	Rear window H/T, green	<a href="#">269610</a>	272,89 €
25	HT-headliner, grey Vinyl with roof sticks	<a href="#">279804</a>	269,00 €	25	Wire set.	<a href="#">279805</a>	49,88 €
25	HT-headliner 113, creme Vinyl	<a href="#">279504</a>	260,00 €	40	Rubber ring, hardtop rr.spigot	<a href="#">279012</a>	13,74 €
42	leatherbag for chrome handle cognac	<a href="#">258804</a>	28,62 €	42	leatherbag for chrome handle red	<a href="#">258803</a>	28,62 €
42	leatherbag for chrome handle black	<a href="#">258802</a>	28,62 €	43	Buffer ring on lock	<a href="#">277018</a>	2,65 €

44	Chrome handle, gen.III (ca. 1969 - 08.'81)	<a href="#">277046</a>	167,00 €	44	Chrome handle, Generation II (67-69)	<a href="#">277845</a>	91,99 €
44	Chrome handle, gen.II (67-69)	<a href="#">277045</a>	174,99 €	45	Lock, soft top or hardtop LH	<a href="#">277010</a>	235,14 €
45	Lock, softtop or hardtop, RH	<a href="#">277020</a>	235,14 €	49	M6 x12 bolt, counter sunk head DIN91, chromed	<a href="#">277266</a>	7,46 €
50	Chrome handle HT lock, lt, repro, comments	<a href="#">279510</a>	180,25 €	50	Chrome handle HT lock, rt, repro, comments	<a href="#">279610</a>	199,19 €
53	Chrome dec. ring HT closure	<a href="#">279550</a>	71,72 €	54	Spacer ring,hard top handle	<a href="#">277796</a>	5,24 €
55	Prt. cap,hard top handle	<a href="#">277795</a>	9,65 €	56	set H/T chrome handle, Lt.	<a href="#">279500</a>	435,00 €
56	set H/T chrome handle, Rt.	<a href="#">279600</a>	435,00 €	59	Set mounting bits at HT lock handle	<a href="#">279555</a>	103,99 €
61	Joiner. Drip strip	<a href="#">269045</a>	90,50 €	63	Joiner,triang.window drip	<a href="#">269054</a>	77,35 €
80	A1137950084 Dec. strip,under rear window	<a href="#">279020</a>	499,00 €	82	Joiner,rear window drip stri	<a href="#">279065</a>	69,00 €
84	Rivet, rear window drip strips	<a href="#">270691</a>	0,20 €	90	Handle, e.g. Hardtop	<a href="#">281004</a>	233,00 €
100	pair trims, brass chromed, incl. nuts	<a href="#">269008</a>	794,71 €	105	threaded brass spacer, roof trims	<a href="#">299089</a>	33,20 €
105	threaded stainless spacer, roof trims	<a href="#">299789</a>	29,75 €	106	Rubber ring, wiper motor	<a href="#">282407</a>	0,77 €
106	rubber washer fits M6	<a href="#">299081</a>	1,19 €	106	N900056005202 N900056005202	<a href="#">299082</a>	0,56 €
106	countersunk head screw for hardtop dec. stripes	<a href="#">299083</a>	0,82 €	111	Spring pin, DIN1481, spring steel, 2.5 X 14	<a href="#">299080</a>	0,32 €
115	screw countersunk PH 2,9x13 stainless	<a href="#">769179</a>	0,24 €	116	Counter sunk shim fits screws up to 3mm	<a href="#">872990</a>	0,60 €

## 77.c, 86.b Wind protector

77.c, 86.b Wind protector, Repros

**Windschott für 230-280SL (R113)**

Artikelnummer 286100, Lieferumfang:  
 - fertig montiertes Windschott aus leichtem Rohrrahmen mit Netzgewebe, schwarz  
 - Haltewinkel mit Inbus-Schrauben und Anleitung  
 - Solide Aufbewahrungstasche aus schwarzem Kunstleder mit Reißverschluss

*schwenkbar!*

Das Windschott ist leicht und kann nach dem Abnehmen der Haltewinkel bequem angebracht oder abgenommen werden.

Die Auflage der Halter ist zum Schutz mit Gummistreifen versehen

Geförnte Distanzblöcke halten an der Deckel-Vorderseite

Mit einem Inbusschlüssel wird links und rechts je ein Haltewinkel angeschraubt

Der Verdeckkastendeckel bleibt frei beweglich

Bei korrekter Positionierung ergibt sich ein kleiner Abstand zwischen Schraube und Chromleiste. Der Überlappungsspalt des Deckels über dem Verdeckkasten reicht, so dass der Haltewinkel beim Öffnen nicht stört.

Windschott R113 "Netz", klappbar [286800](#) 220,00 €

Wind mesh "Weyer" 230-280SL [286805](#) 475,99 €

Wind mesh "Weyer-Premium"  
230-280SL Pagoda, premium  
quality

[286807](#)

499,99 €

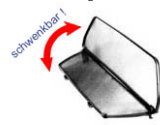
Pagoda

Wind mesh "Weyer" 230-280SL  
Pagoda, For vehicle with 3rd seat

[286806](#)

265,00 €

## 77.d, 86.c Info MB/Oris wind protector



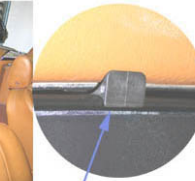
### Windschott für 230-280SL (R113)

Artikelnummer 286100, Lieferumfang:  
- fertig montiertes Windschott aus  
leichtem Rohrrahmen mit Netzgewebe, schwarz  
- Haltewinkel mit Inbus-Schrauben und Anleitung  
- Solide Aufbewahrungstasche aus schwarzem  
Kunstleder mit Reißverschluss

Das Windschott ist leicht  
und kann nach dem Abnehmen  
der Haltewinkel bequem  
angebracht oder  
abgenommen werden.



Die Auflage der Halter  
ist zum Schutz mit  
Gummistreifen versehen



Geformte  
Distanzblöcke  
halten an der  
Deckel-Vorderseite

Mit einem Inbusschlüssel  
wird links und rechts je ein  
Haltewinkel angeschraubt



Der Verdeckkastendeckel bleibt frei beweglich



Bei korrekter Positionierung ergibt  
sich ein kleiner Abstand zwischen  
Schraube und Chromleiste.  
Der Überlappungspalt des Deckels über  
dem Verdeckkasten reicht, so dass der  
Haltewinkel beim Öffnen nicht stört.



## 79.b Hardtop Storage

**Hardtop-wagen**  
R113, R107, ...

Einfache Montage, schlagfeste Beschichtung (in weiß oder schwarz), robuste Rollen, arretierbar, solide Schaumpolster m.Filzschicht,

schwarz: Art. [779980](#)  
weiß: Art. [779981](#)



**Hardtop-Unterbringung**  
Garagenlifte  
Abstellwagen  
Staubhüllen

**Hardtop Storage**  
Hoists, Carts, Covers

**Hardtop-Cover Art. [779997](#)**

**2-teilige Hülle**  
passend zum Garagenlift  
- einfache Montage (Klettverschluss)  
- das HT wird auch von unten umhüllt

**orig. Garagenlift Art. [779999](#)**

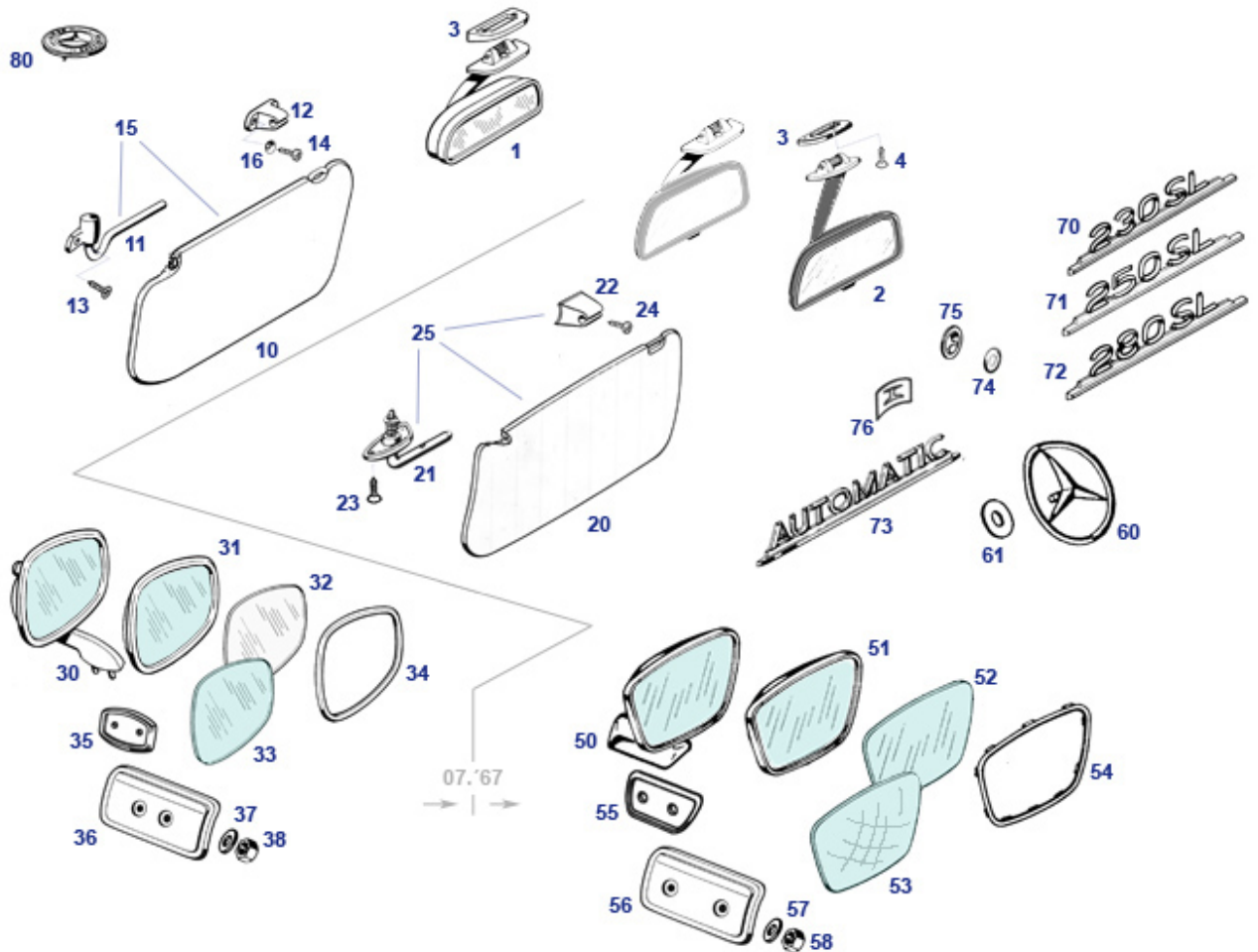
Mercedes-Benz Originalzubehör:  
Seilwinde mit Handkurbel,  
"T-Traverse" an Verschlüssen vorn  
und Haken unter Rahmen hinten

**Garagenlift**  
Traverse mit Regenrinnenhalter  
Gurt zur Absicherung  
Flaschenzug, Haken und Klampe  
R113 (230-280SL): Art. [279998](#)  
R/C107 (280-500SL): Art. [779998](#)

279998	Hardtop hoist R107, mech.	<a href="#">779998</a>	187,15 €	779980	Hardtop cart black, with dust cover fitting 113+107	<a href="#">779980</a>	219,00 €
779980	Hardtop cart, R107/113/129, no cover	<a href="#">779981</a>	199,99 €	779985	Cover (tan) for hardtop vehicle	<a href="#">779985</a>	46,33 €

# 81 Mirrors, Sunvisors, Int/Ext Eqmt.

81 Mirrors, Sunvisors, Int/Ext Eqmt.



	Countersunk bolt M5X16, industrial chrome plated	<a href="#">167062</a>	0,45 €		M5 chrome bolt PH, e.g. licence plates	<a href="#">988998</a>	2,20 €
	countersunk head screw M5 X 16, high gloss chrome plated	<a href="#">167862</a>	4,99 €		Ash tray, black	<a href="#">281800</a>	174,93 €
	spring for sunvisor bracket, black	<a href="#">281157</a>	3,99 €	3	Inner mirror support frame, 230SL 1st ge	<a href="#">281023</a>	79,08 €
4	Senk-Blechschrabe 3,9x22 zB	<a href="#">299928</a>	0,44 €	10	Sunvisor ->67 LH w/o bracket, cream	<a href="#">281131</a>	229,00 €
10	Innenspiegel			10	RHD-Sunvisor ->67 driver's side w/o bracket, cream	<a href="#">281133</a>	179,52 €
10	RHD-Sunvisor ->67 passenger side w/o bracket, cream	<a href="#">281134</a>	190,00 €	11	Chrome bracket, visor RH ->67	<a href="#">281168</a>	161,99 €
10	Sunvisor ->67 RH w/o bracket, cream	<a href="#">281132</a>	229,00 €	12	Bracket, sunvisor -> 67	<a href="#">281038</a>	5,96 €
11	Chrome bracket LH visor ->67	<a href="#">281158</a>	160,00 €	14	Counter sunk screw 4,2x14, industrial chromed	<a href="#">799932</a>	0,58 €
13	complete screw set, chrome plated	<a href="#">299233</a>	399,90 €	16	Escutcheon fitting panelling screws diam 3,9	<a href="#">267014</a>	0,89 €
15	Pair sunvisors 230SL, light Repr	<a href="#">281730</a>	385,58 €	20	S'visor `67->, Rt.w. mirr,no supp,Repro	<a href="#">281136</a>	223,35 €
20	S'visor `67->, Lt.no mirr,no supp	<a href="#">281137</a>	223,35 €	21	S'visor support, outer, 67->, RH	<a href="#">281160</a>	89,90 €
21	S'visor support, outer, 67->, RH	<a href="#">281160</a>	89,90 €	22	Visor bracket from 67->, Repr see picture	<a href="#">281639</a>	14,99 €
22	Bracket, sunvisor'67->,cream-grey	<a href="#">281039</a>	13,64 €	23	Counter sunk screw 3,9 Phillips	<a href="#">281139</a>	0,26 €
24	Square nut e.g. at 281039	<a href="#">281169</a>	0,44 €	24	panel screw, lens head, 3,5x22 visorsup	<a href="#">281159</a>	0,44 €
25	Sunvisor 67-> lt. light Repr	<a href="#">281737</a>	189,21 €	25	Sunvisor 67-> rt. light Repr	<a href="#">281736</a>	189,21 €
25	Pair Sunvisors `67-> light Repr	<a href="#">281735</a>	348,43 €	30	Rear view mirror, Rt. early, B-quality	<a href="#">281040</a>	100,90 €
30	Rear view mirror, Lt. early, B-quality	<a href="#">281030</a>	101,45 €	31	Mirror head ->67, Repr, clear	<a href="#">181125</a>	47,10 €
31	Mirror head ->67, Repr, tinted	<a href="#">181025</a>	43,64 €	33	Replacement glass, tinted	<a href="#">181026</a>	22,00 €

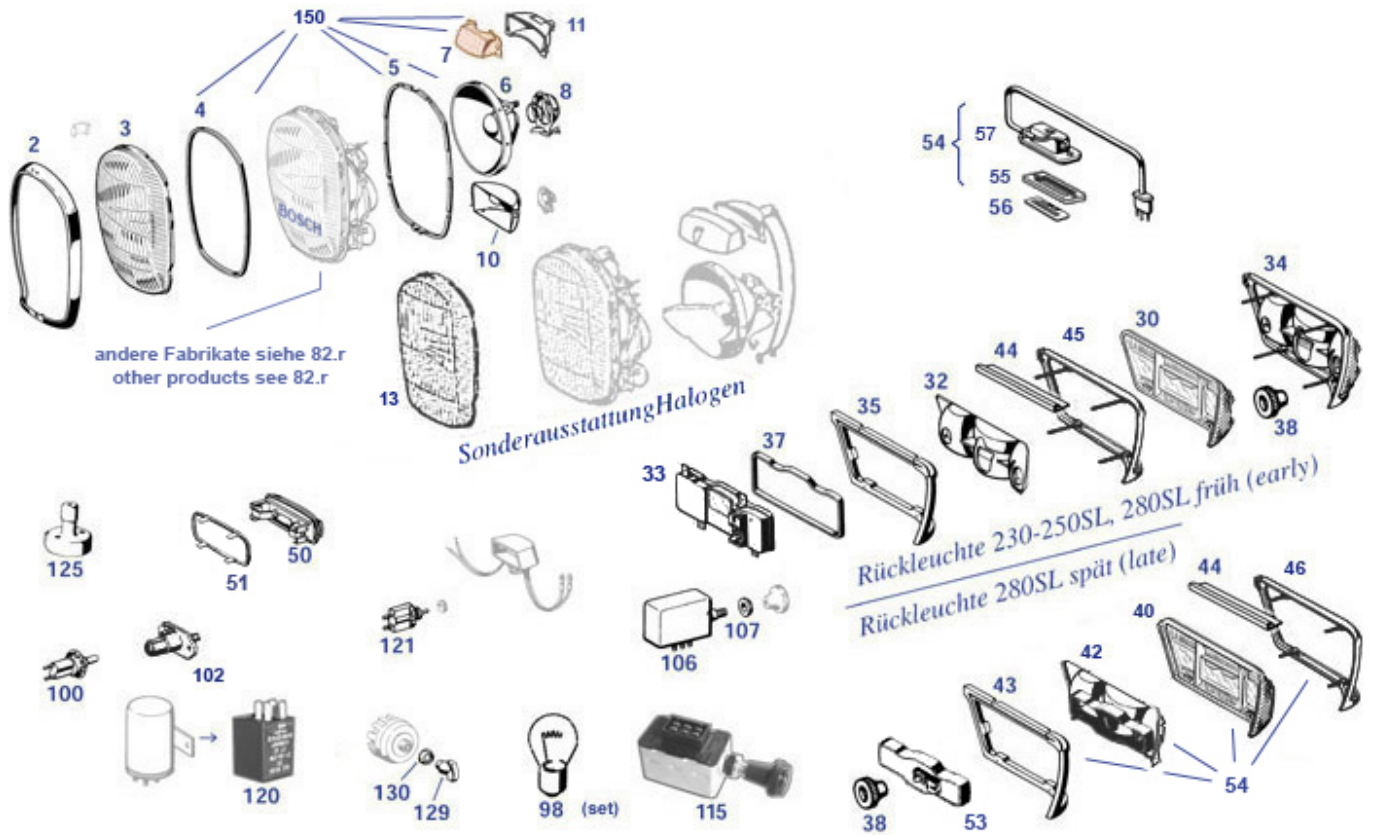
34	A0008110165 Replacement nylon bezel	<a href="#">181027</a>	14,70 €	35	Rubber pad mirror ->'67, fits L/R	<a href="#">281035</a>	2,64 €
36	Hidden bracket, door mirror early	<a href="#">281057</a>	13,39 €	37	Spring washer, fits M6	<a href="#">181028</a>	0,18 €
38	Hex nut M6, yellow zinc.	<a href="#">181023</a>	0,18 €	50	Rear view mirror, late, rt. B-quality	<a href="#">281060</a>	101,39 €
50	Rear view mirror, Lt. late, B-quality	<a href="#">281050</a>	101,39 €	51	Mirror head '67->, RH, quality deficits, Repro	<a href="#">281852</a>	32,50 €
51	Mirror head '67->, LH, quality deficits, Repro	<a href="#">281851</a>	42,00 €	52	Mirror glass, flat, tinted, fits late m	<a href="#">281061</a>	23,80 €
54	Ring, glass retention, 1967-> (trapez)	<a href="#">281062</a>	17,26 €	55	Mirror underlay "trapezoid" '67->	<a href="#">281855</a>	2,56 €
56	Hidden bracket, door mirror late	<a href="#">281056</a>	13,85 €	61	Rubber washer	<a href="#">175012</a>	1,11 €
71	Type designation: 250SL	<a href="#">281021</a>	145,00 €	73	Type designation: Automatic	<a href="#">281025</a>	100,00 €
74	O-Ring blk rubber, eg Type signs	<a href="#">281027</a>	0,13 €	75	Clip, inner diam. 3.5mm, fits pins 4mm	<a href="#">281026</a>	1,18 €
76	Clip, 'Automatic'	<a href="#">281024</a>	0,20 €	80	Hex Nut, M4	<a href="#">799919</a>	0,20 €
80	Spring washer M4 yellow zined	<a href="#">299283</a>	0,08 €	80	Washer 4,3 yellow zined	<a href="#">299282</a>	0,08 €



## 82 Lighting and Wiper

### 82.a Lighting Units, standard

82.a Lighting Units, standard



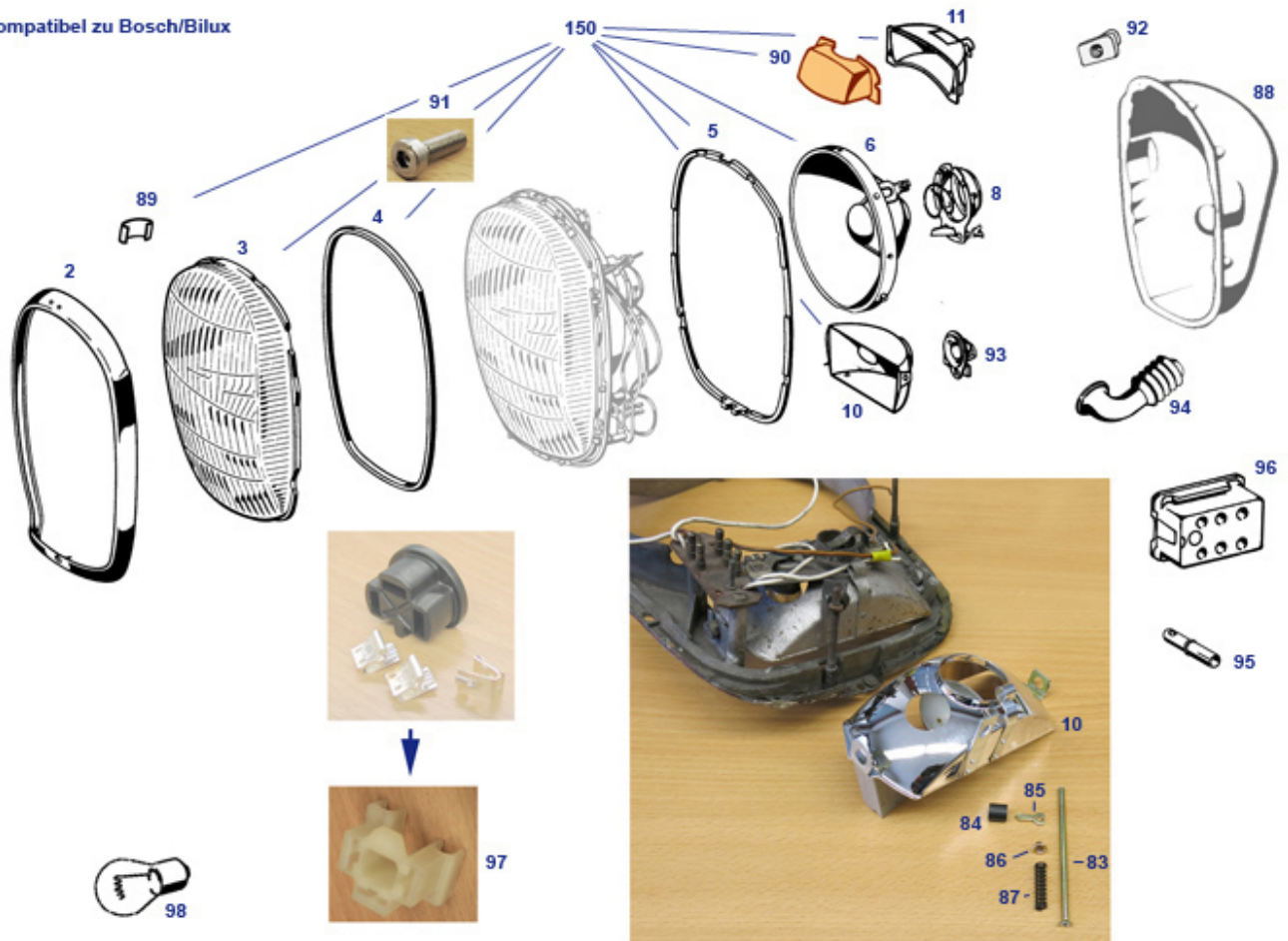
	Knurled chrome nut, glove box switch	<a href="#">254109</a>	14,55 €		2-pole housing (plastic base & cap), no metal bushings	<a href="#">254182</a>	7,97 €
	Screw, M4X6 Phillips, e.g. slotted grub screw for taillight frames	<a href="#">799546</a>	0,24 €		Con.housing, 2 pole flat	<a href="#">254103</a>	0,54 €
	contact bushing 4mm brass, silver plated	<a href="#">282856</a>	4,65 €		see 282102	<a href="#">282002</a>	8,96 €
	6-pole housing (plastic base & cap), no metal bushings	<a href="#">254855</a>	1,40 €	glov	Bulb 12V / 10W, torpedo, total length 44	<a href="#">299094</a>	0,51 €
	Bulb 12V / 10W, torpedo, total length 38	<a href="#">254180</a>	8,45 €		8-pole housing (plastic base & cap), no metal bushings	<a href="#">254181</a>	8,69 €
	Knob, heater blower switch, Repro, optical shortcomings	<a href="#">799081</a>	1,46 €		Knob, Design 1968, M5, fits Cigar lighters M5	<a href="#">254843</a>	45,99 €
1	Headlamp 230-280SL Euro-LHD, Bilux	<a href="#">282826</a>	68,29 €		4-pole housing (plastic base & cap), no metal bushings	<a href="#">254883</a>	8,09 €
1	Headlamp 230-280SL Euro-LHD, Bilux	<a href="#">282800</a>	749,70 €	1	Headlamp 230-280SL Euro-LHD, Halogen (H4)	<a href="#">282700</a>	779,91 €
3	spring clip, headlamp lens	<a href="#">282600</a>	955,00 €	3	Headlamp lens LHD Bilux fit Repro 282800	<a href="#">282801</a>	220,38 €
5	In hex M4 bolt, head lamp mounting	<a href="#">282082</a>	2,00 €	3	Glass, headlamp R113 Bilux LHD	<a href="#">282001</a>	184,45 €
5	Seal, headlamp to body	<a href="#">299280</a>	1,36 €	5	threaded bushing, lamp housing repair	<a href="#">262855</a>	2,50 €
7	Lens, blinker (direction ind.)	<a href="#">282006</a>	35,87 €	6	Rubber bushing at reflector	<a href="#">182807</a>	2,38 €
8	H4 Connector housg w.3x flag crimps	<a href="#">282075</a>	30,55 €	8	Wiring w. sockets, fitting Bosch Bilux	<a href="#">282875</a>	72,83 €
8	Housing for Bilux/H4 connector	<a href="#">282041</a>	5,83 €	8	Lamp holder	<a href="#">282872</a>	19,75 €
10	Bracket, headlight mirror adjuster	<a href="#">182042</a>	4,74 €	10	Fog reflector, fits 35W Euro-Version	<a href="#">282878</a>	72,83 €
10	SAdjuster screw, long, 113 headlights	<a href="#">182805</a>	7,14 €	10	small metal boot, adj. spring locking	<a href="#">282804</a>	1,33 €
11	dir light reflector, fits Bosch-Euro	<a href="#">282806</a>	3,20 €	10	coil spring, fits adjuster bolts	<a href="#">282807</a>	1,99 €
30	Taillight lens early RH rd/ye/ye (FR)	<a href="#">282876</a>	33,99 €	13	Glass, Headlamp R113 LHD "H1"	<a href="#">282004</a>	99,00 €
		<a href="#">282143</a>	143,99 €	30	Right Tail Lamp Lens w/o. frame,	<a href="#">282141</a>	143,99 €

30	Taillight lens early LH rd/ye/ye (FR)	<a href="#">282133</a>	143,99 €	30	red/yellow		
					Left Tail Lamp Lens w/o. frame, red/yellow	<a href="#">282131</a>	143,99 €
30	Lens w.o. frame, red/red, Rt.	<a href="#">282121</a>	143,99 €	30	Tail Lamp Lens - Left	<a href="#">282111</a>	143,99 €
32	Reflector RH, taillight "early style"	<a href="#">282108</a>	81,00 €	32	Reflector LH, taillight "early style"	<a href="#">282109</a>	81,00 €
33	Lampholder '63 - '69 right side	<a href="#">282114</a>	155,99 €	33	Lampholder '63-'69 left side	<a href="#">282115</a>	155,99 €
34	Lens w.frame, red/red, Lt.->69, Repro	<a href="#">282110</a>	517,00 €	34	Lens w.frame, red/red, Rt., ->69, Repro	<a href="#">282120</a>	517,00 €
34	Lens w.frame, rd/ye/wh left .->69, Repro	<a href="#">282130</a>	517,00 €	34	Lens w.frame, rd/ye/wh RH.,->69, Repro	<a href="#">282140</a>	559,99 €
35	Seal, taillight left side, ->69, repro	<a href="#">282813</a>	39,91 €	35	Seal, taillight rt. ->69, repro	<a href="#">282812</a>	39,91 €
35	Seal, taillight RH up to ca.'69	<a href="#">282112</a>	57,49 €	35	Seal, taillight left, up to ca.'69	<a href="#">282113</a>	57,49 €
37	Seal Rear Lampholder/Bracking Board   (61cm) / -> 1969	<a href="#">282119</a>	4,74 €	38	Milled M5 nut, plastic w insert	<a href="#">282855</a>	3,30 €
38	Milled M5 nut, plastic, white	<a href="#">282655</a>	7,04 €	40	Lens rear light RH 69-> red/red	<a href="#">282181</a>	199,99 €
40	Lens rear light LH. 69-> red-yellow	<a href="#">282151</a>	189,39 €	40	Lens rear light LH 69-> red/red	<a href="#">282171</a>	199,99 €
40	Lens rear light RH. 69-> red-yellow	<a href="#">282161</a>	189,39 €	42	Mirror fits RH taillight "late style"	<a href="#">282168</a>	133,99 €
42	Mirror, fits LH taillight "late style"	<a href="#">282158</a>	133,99 €	43	Seal, tail lamp LH, late version	<a href="#">282517</a>	31,83 €
43	Seal, tail lamp RH, late version	<a href="#">282518</a>	31,83 €	43	Seal, tail lamp RH, late version	<a href="#">282118</a>	59,20 €
43	Seal, tail lamp LH, late version	<a href="#">282117</a>	59,20 €	44	Rubber profile, 1m rear lights, R113	<a href="#">282157</a>	8,22 €
45	Chrome surround LH, taillight early	<a href="#">282132</a>	247,34 €	45	Chrome surround RH, taillight early	<a href="#">282142</a>	247,34 €
46	Chrome surround RH, taillight late	<a href="#">282162</a>	246,98 €	46	Chrome surround LH, taillight late	<a href="#">282152</a>	246,98 €
50	Interior lamp, shape nearly Hella style	<a href="#">282820</a>	15,28 €	50	Interior light, simplified	<a href="#">282020</a>	11,90 €
50	Interior light HELLA,same as MB-Replacement	<a href="#">282920</a>	31,33 €	51	frame underneath interior lamp	<a href="#">282680</a>	18,39 €
53	On request: bulb holder 69-> left	<a href="#">282153</a>	396,66 €	53	as long as stock lasts! el. connector (fem) 6-pole, kit,	<a href="#">254984</a>	27,67 €
53	On request: bulb holder 69-> rt	<a href="#">282163</a>	396,66 €	53	Diode	<a href="#">282189</a>	1,43 €
54	Rear light, comp.280SL Lt. 69->, red/amber	<a href="#">282650</a>	533,12 €	54	Rear light, comp.280SL Rt. 69->, red/amber	<a href="#">282660</a>	533,12 €
55	rubber seal, lic light lens	<a href="#">282054</a>	7,82 €	56	Glass cover,R113 license plate light	<a href="#">282055</a>	19,99 €
57	Bulb 12V / 5W, torpedo, total length 38	<a href="#">299098</a>	1,54 €	57	Rest: Housing lic.plate lamp	<a href="#">282809</a>	56,79 €
57	Grommet 6/26	<a href="#">299819</a>	3,15 €	98	Bulb, 40/45W, Bilux	<a href="#">299092</a>	3,99 €
98	Bulb 12V/18W direction indicator	<a href="#">299087</a>	3,33 €	98	Bulb 12V / 3W, torpedo, total length 30	<a href="#">226102</a>	2,53 €
98	light bulb 12V/2W, BA9s, eg. Instruments	<a href="#">254033</a>	2,20 €	98	Bulb 12V 15W BA15S, halo modernized	<a href="#">399083</a>	3,69 €
98	Light bulb 12V/2W, BA7s	<a href="#">299079</a>	1,99 €	98	Bulb, 35W, Fog light	<a href="#">299093</a>	8,32 €
98	Bulb 12V / 21W direction indicator	<a href="#">299085</a>	1,25 €	98	Light bulb 12V/2W BA9s, long shape	<a href="#">299095</a>	3,45 €
98	Bulb, parking light, 12V/4W, BA9S	<a href="#">299099</a>	1,39 €	98	Bulb, 55W Halogen H3,fog light	<a href="#">299091</a>	4,52 €
98	Bulb 12V 15W BA15S, halo modernized	<a href="#">399084</a>	3,92 €	98	Bulb, 55W H1, e.g. 113 if Halogen equipped	<a href="#">299090</a>	2,89 €
98	Halogene bulb, fits in Bilux socket	<a href="#">299192</a>	4,86 €	98	Bulb, passenger compt. 3W, NoName	<a href="#">299096</a>	1,79 €
98	Bulb 1.2W, glass socket, switch-knob, cockpit	<a href="#">299097</a>	1,79 €	100	Door switch round pin connectors	<a href="#">282721</a>	60,75 €
100	Switch, flat connectors	<a href="#">282031</a>	10,21 €	102	Bulb, e.g. trunk light	<a href="#">282033</a>	2,50 €
102	bulb 12V 5W Ba15s socket	<a href="#">799189</a>	0,81 €	102	A0008210252 Door switch, version flat poles	<a href="#">182021</a>	28,98 €
102	Trunk(boot) light and switch '59-'85	<a href="#">282022</a>	40,58 €	107	Escutcheon, emerg. flasher switch	<a href="#">282035</a>	10,28 €
115	Upgr. hazzard flasher Hella with wiring	<a href="#">982834</a>	150,78 €	115	pigtail harness fits emergency switch 982034	<a href="#">982035</a>	49,03 €
115	Relay, flasher, retrofit., plastic knob, Bosch	<a href="#">982034</a>	157,15 €	120	Housing, fits up to 5 crimp-shoes	<a href="#">554070</a>	0,71 €
120	Turn signal transmitter	<a href="#">254760</a>	42,39 €	120	universal flasher relay 12V 4x21W Bosch, flat pole	<a href="#">582070</a>	42,39 €
120	crimp connector	<a href="#">997992</a>	0,43 €	120	Turn signal transmitter (metal), Bosch	<a href="#">182001</a>	76,90 €
121	A0015450211 Contact switch, glovebox	<a href="#">254101</a>	402,03 €	125	foot operted switch	<a href="#">454012</a>	32,68 €

## 82.b compatible parts fitting Bosch-Bilux

82.b compatible parts fitting Bosch-Bilux

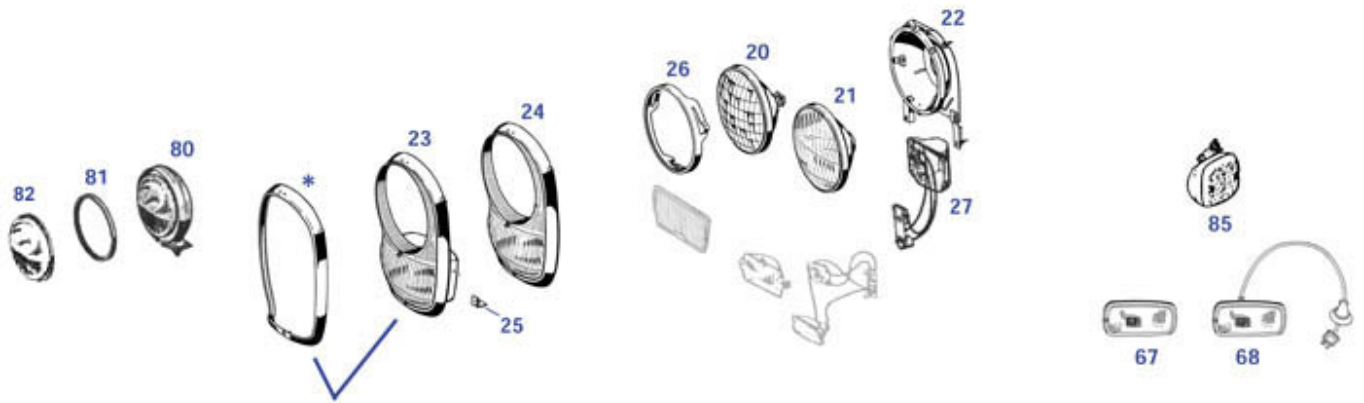
Kompatibel zu Bosch/Bilux



5	see 282102 Seal, headlamp to body	<a href="#">282002</a> <a href="#">282006</a>	8,96 € 35,87 €	3	Glass, headlamp R113 Bilux LHD	<a href="#">282001</a>	184,45 €
8	Lamp holder	<a href="#">282872</a>	19,75 €	8	Wiring w. sockets, fitting Bosch Bilux	<a href="#">282875</a>	72,83 €
11	dir light reflector, fits Bosch-Euro	<a href="#">282876</a>	33,99 €	10	Fog reflector, fits 35W Euro-Version	<a href="#">282878</a>	72,83 €
84	Rubber bushing at reflector	<a href="#">182807</a>	2,38 €	83	SAdjuster screw, long, 113 headlights	<a href="#">282806</a>	3,20 €
86	small metal boot, adj. spring locking	<a href="#">282804</a>	1,33 €	85	Bracket, headlight mirror adjuster	<a href="#">182805</a>	7,14 €
88	Lamp housing LH	<a href="#">262850</a>	61,23 €	87	coil spring, fits adjuster bolts	<a href="#">282807</a>	1,99 €
89	spring clip, headlamp lens	<a href="#">282082</a>	2,00 €	88	Lamp housing RH	<a href="#">262860</a>	61,23 €
91	rubber washer, adjuster bolts	<a href="#">782803</a>	0,77 €	90	Lens, blinker (direction ind.)	<a href="#">282075</a>	30,55 €
92	threaded bushing, lamp housing repair	<a href="#">262855</a>	2,50 €	91	In hex M4 bolt, head lamp mounting	<a href="#">299280</a>	1,36 €
94	Tube,prt.,head lamp cable,r.h.	<a href="#">254046</a>	24,29 €	94	Tube,prt.,head lamp cable,l.h.	<a href="#">254047</a>	24,29 €
95	Sold on sleeve 4mm	<a href="#">254055</a>	2,69 €	95	contact bushing 4mm brass, silver plated	<a href="#">254855</a>	1,40 €
97	Housing for Bilux/H4 connector	<a href="#">182042</a>	4,74 €	96	as long as stock lasts! el. connector (fem) 6-pole, kit	<a href="#">254984</a>	27,67 €
98	Bulb, e.g. trunk light	<a href="#">282033</a>	2,50 €	97	Socket, fits Bilux-bulb, classic style	<a href="#">182041</a>	7,20 €
98	Bulb 12V/18W direction indicator	<a href="#">299087</a>	3,33 €	98	Bulb 12V / 21W direction indicator	<a href="#">299085</a>	1,25 €
98	Bulb, 35W, Fog light	<a href="#">299093</a>	8,32 €	98	Bulb, 40/45W, Bilux	<a href="#">299092</a>	3,99 €
				98	Bulb, parking light, 12V/4W, BA9S	<a href="#">299099</a>	1,39 €

## 82.c Lighting Units USA, additional Lamps

82.c Lighting Units USA, additional Lamps



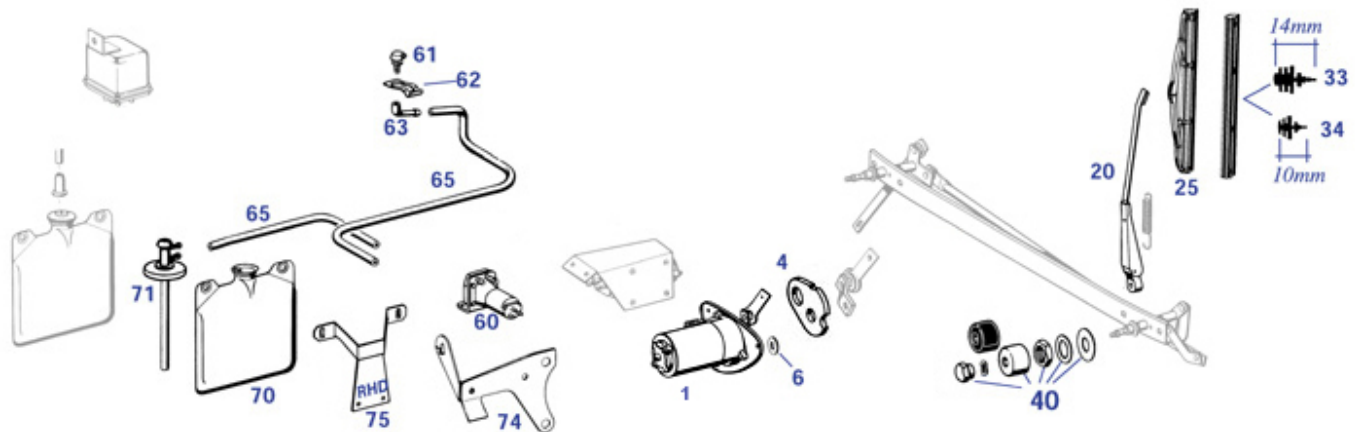
\*The screen section "chrome surround" is similar to the european version, but dismantling will damage the plastic lens. Section "plastic insert" is not available separate.

Der Chromrahmen der Scheinwerfermaske ist baugleich mit der europäischen Version, lässt sich aber nur gewaltsam abnehmen. Der Kunststoffeinsatz separat ist nicht lieferbar.

21	Euro-LHD H4 Lamp fits US-frame,w.rbrcap	<a href="#">282917</a>	45,84 €	80	1 pair aux lamp accessory chrome round H3 unit	<a href="#">382328</a>	319,99 €
----	---	------------------------	---------	----	--	------------------------	----------

## 82.d Windscreen wipe/wash

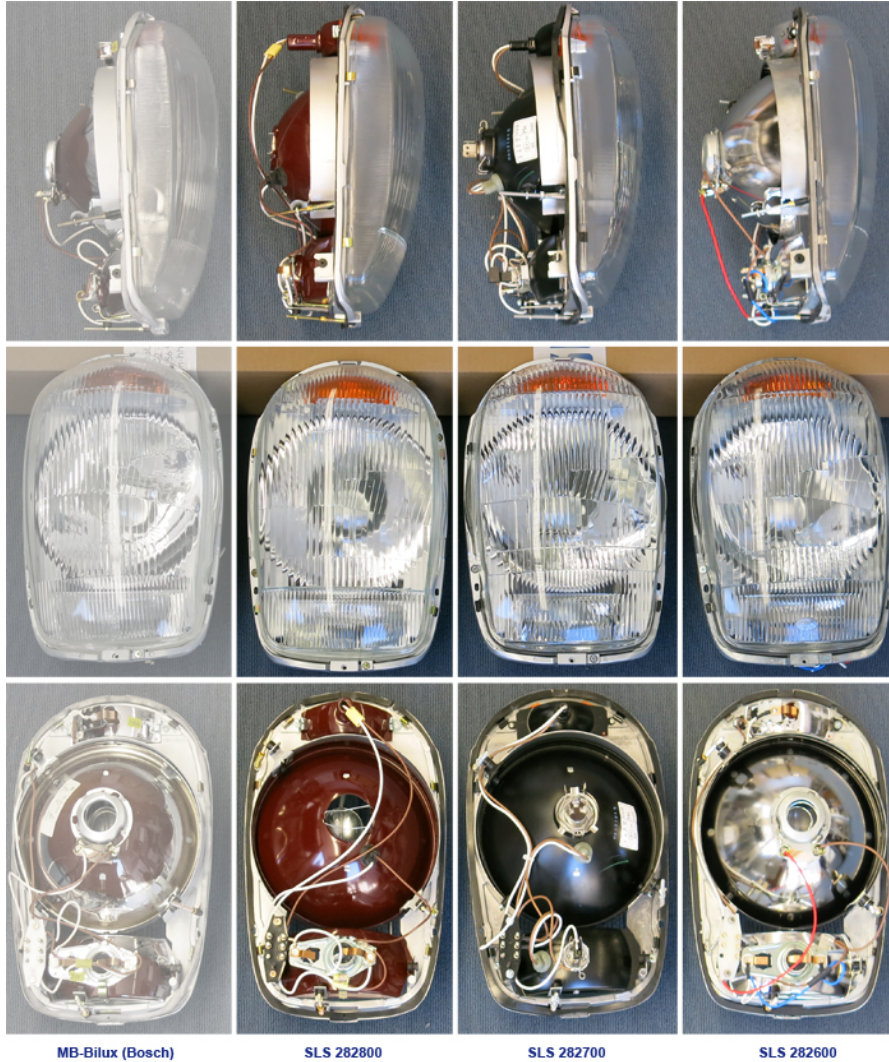
82.d Windscreen wipe/wash



cpnut	Wiper shaft nut, high gloss	<a href="#">282842</a>	19,49 €	cpnut	Wiper shaft nut (VA hat)	<a href="#">282242</a>	20,80 €
shimsm	safety washer with serrations 8X13X0,8, zinc plated	<a href="#">282243</a>	0,26 €	capc	Chrome cap on windscreen wipe	<a href="#">282244</a>	74,90 €
nut	Nut wiper shaft	<a href="#">282245</a>	4,27 €	shim	Shim, w' wiper shafts	<a href="#">282246</a>	0,77 €
rbr	Rubber ring, repl., w/s wiper shaft	<a href="#">282247</a>	1,59 €	1	Wiper motor, in exchange, after arrival of your used part	<a href="#">282400</a>	1.087,26 €
1	Wiper motor, overhauled, if no used one available	<a href="#">282480</a>	1.450,00 €	4	Underlay, wiper motor to firewall W113	<a href="#">282248</a>	16,01 €
6	Rubber ring, wiper motor	<a href="#">282407</a>	0,77 €	6	rubber washer fits M6	<a href="#">299081</a>	1,19 €
10	Tool, wiper link shaft greasing	<a href="#">258826</a>	65,45 €	20	wiper arm R113, W110, LH, glossy	<a href="#">282710</a>	135,01 €
20	wiper arm R113, W110, right, glossy	<a href="#">282720</a>	135,01 €	25	Wiper Blade 330mm   W113 (late Version) & C111	<a href="#">382722</a>	49,21 €
34	Wiper rubber, 280SL (late) 327mm	<a href="#">282234</a>	23,81 €	60	Con.housing, 2 pole flat	<a href="#">254103</a>	0,54 €
60	crimp connector	<a href="#">997992</a>	0,43 €	60	Adater wire fits new pump to old loom	<a href="#">286540</a>	32,00 €
60	Panelling screw 4,8 x 13	<a href="#">799933</a>	0,32 €	60	El. w/washer pump, 107 early, ... No Name brand	<a href="#">786802</a>	17,26 €
60	washer pump, round pole	<a href="#">286702</a>	54,62 €	61	A0008691847 Nozzle,w/washer	<a href="#">286030</a>	144,30 €
62	Clip for washer nozzle W113	<a href="#">286831</a>	5,00 €	65	Rbr grommet,7/10,113 washpipe,121 boot	<a href="#">299011</a>	1,08 €
65	Rubber grommet 3 way, bonnet cable	<a href="#">298778</a>	3,55 €	65	Hose, w/washer, flex.,per metre	<a href="#">186040</a>	1,84 €

70	WS washer tank, repro with cap	<a href="#">186810</a>	87,26 €	71	Cap,washerfluid reservoir ->ca'78	<a href="#">786825</a>	14,10 €
71	Washer bag cap w.valve e.g to 186015, B-Quality	<a href="#">186015</a>	18,86 €	74	3pcs-assy Bracket, clutch+waterreservoi	<a href="#">229086</a>	61,29 €
75	Support, RHD Washer bag, black	<a href="#">286811</a>	77,80 €	75	Support, RHD-Washer bag, zinc yellow	<a href="#">286011</a>	64,56 €

## 82.r Headlamps, Reproduction Overview



MB-Bilux (Bosch)

SLS 282800

SLS 282700

SLS 282600

282600	Headlamp 230-280SL Euro-LHD, Bilux	<a href="#">282600</a>	955,00 €	282700	Headlamp 230-280SL Euro-LHD, Halogen (H4)	<a href="#">282700</a>	779,91 €
--------	------------------------------------	------------------------	----------	--------	---	------------------------	----------

## 82.i Info Headlight Halogen or Bilux

82.i Info Headlight Halogen or Bilux

**i** - Hauptscheinwerfer  
**Serie oder Halogen**

für Serie: BILUX 2-Fadenbirne, 40/45W, in original-Baulform R2 (SLS 299092)

für Mercedes-SA 55570 „Halogen“ Birnen H1, 55W (1-Faden, Form P14,5 s, 299090)

Umrüst-Glühbirne „Halogen-Leuchtmittel auf Bilux-Sockel“ (R2-P45t, SLS 299192), Glaskolben hat vorn eine integrierte Blendschutzbeschichtung. Höhere Lichtausbeute, jedoch ggf. nur nach Demontage des Blech-Blendschutzes (Anbauteil des Reflektors, Platzproblem) einsetzbar.

Standard-Streuscheibe „Bilux“ (Serie durchgängig für alle R113)

kastenförmige Streuscheibe bei Sonderwunsch (SA) Halogen

Das Nebellicht wurde mit modernisiert:

Serie 35W, SLS 299093

Halogen „H3“ 55W SLS 299091

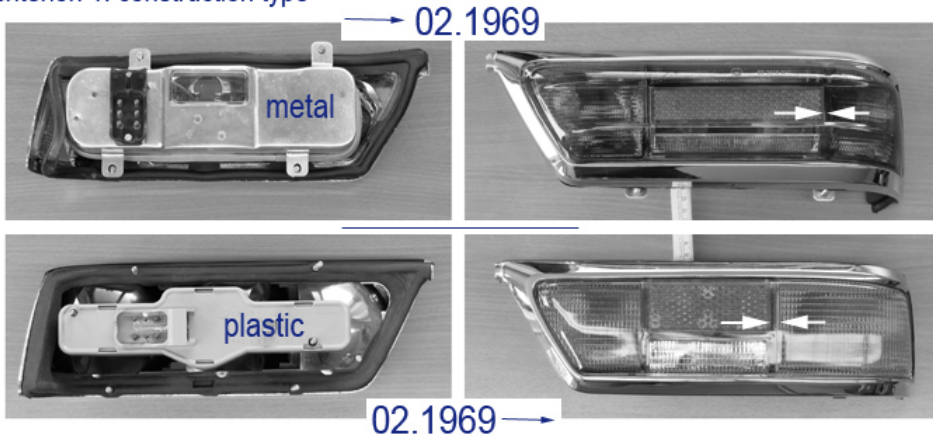
ebenso Lichtverbesserung beim Blinklicht (18W→21W)

18W	Bulb 12V/18W direction indicator	<a href="#">299087</a>	3,33 €	21W	Bulb 12V / 21W direction indicator	<a href="#">299085</a>	1,25 €
299090	Bulb, 55W H1, e.g. 113 if Halogen equipped	<a href="#">299090</a>	2,89 €	299091	Bulb, 55W Halogen H3,fog light	<a href="#">299091</a>	4,52 €
299092	Bulb, 40/45W, Bilux	<a href="#">299092</a>	3,99 €	299093	Bulb, 35W, Fog light	<a href="#">299093</a>	8,32 €

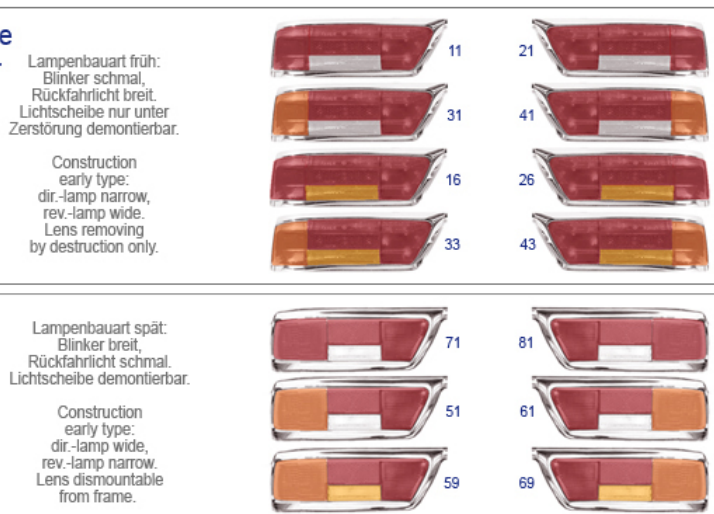
## 82.i Info Rückleuchten

82.i Info Rückleuchten

Kriterium 1: Bauart  
 criterion 1: construction type



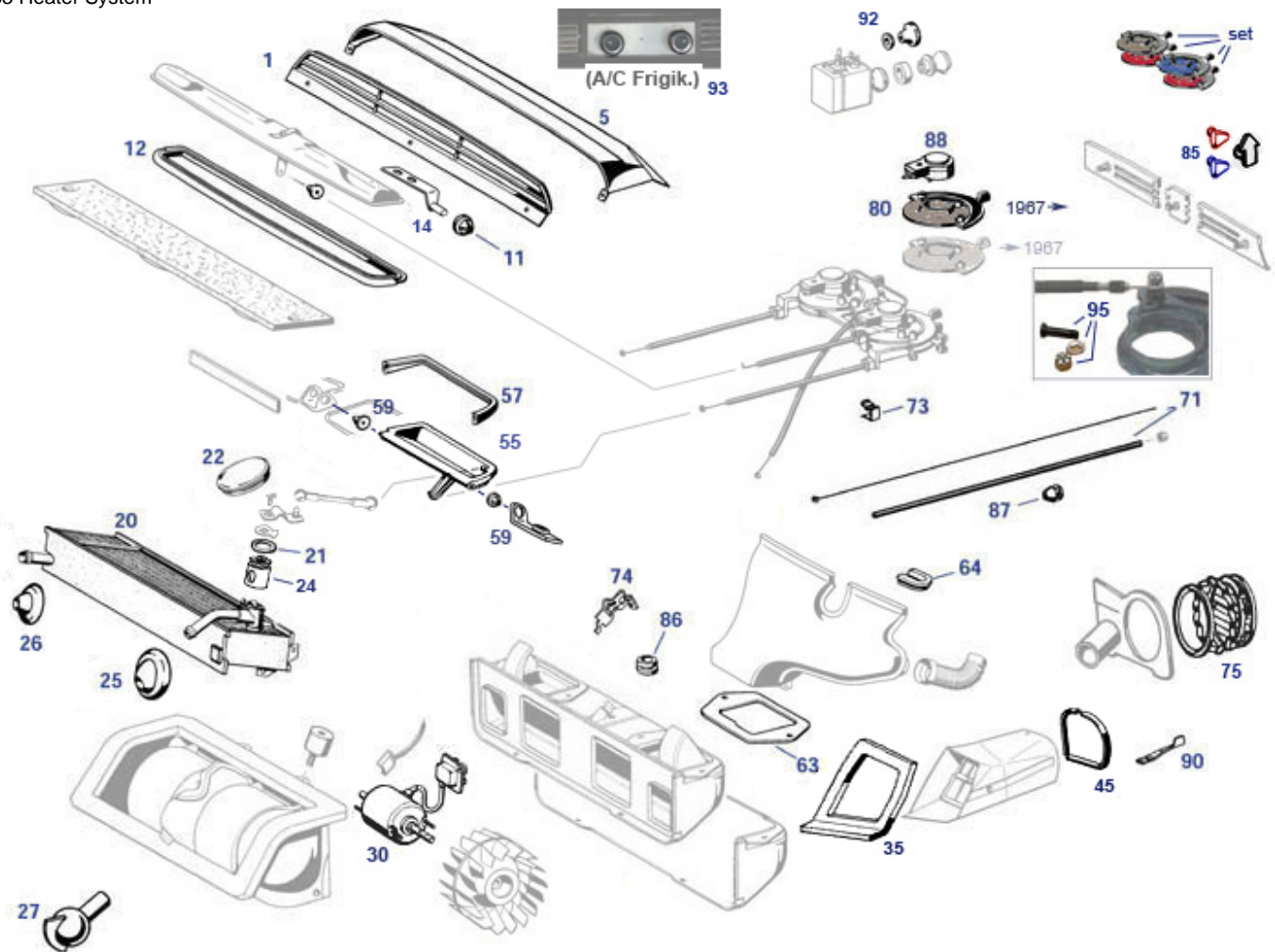
Kriterium 2: Farbe  
 criterion 2: color



	Milled M5 nut, plastic, white	<a href="#">282655</a>	7,04 €	11	Lens w.frame, red/red, Lt.->69, Repro	<a href="#">282110</a>	517,00 €
11	Tail Lamp Lens - Left	<a href="#">282111</a>	143,99 €	16	Lens early LH rd/rd/ye (FR)	<a href="#">282116</a>	152,50 €
21	Lens w.frame, red/red, Rt., ->69, Repro	<a href="#">282120</a>	517,00 €	21	Lens w.o. frame, red/red, Rt.	<a href="#">282121</a>	143,99 €
26	Lens early RH rd/rd/ye (FR)	<a href="#">282126</a>	152,00 €	31	Lens w.frame, rd/ye/wh left .,->69, Repro	<a href="#">282130</a>	517,00 €
31	Left Tail Lamp Lens w/o. frame, red/yellow	<a href="#">282131</a>	143,99 €	33	Taillight lens early LH rd/ye/ye (FR)	<a href="#">282133</a>	143,99 €
41	Right Tail Lamp Lens w/o. frame, red/yellow	<a href="#">282141</a>	143,99 €	41	Lens w.frame, rd/ye/wh RH.,->69, Repro	<a href="#">282140</a>	559,99 €
43	Taillight lens early RH rd/ye/ye (FR)	<a href="#">282143</a>	143,99 €	51	Lens rear light LH. 69-> red-yellow	<a href="#">282151</a>	189,39 €
51	Rear light, comp.280SL Lt. 69->, red/amber	<a href="#">282650</a>	533,12 €	59	Lens late LH, rd/ye/ye (FR)	<a href="#">282159</a>	196,35 €
61	Lens rear light RH. 69-> red-yellow	<a href="#">282161</a>	189,39 €	61	Rear light, comp.280SL Rt. 69->, red/amber	<a href="#">282660</a>	533,12 €
69	Lens late RH, rd/ye/ye (FR)	<a href="#">282169</a>	185,28 €	71	Lens rear light LH 69-> red/red	<a href="#">282171</a>	199,99 €

# 83 Heater System

83 Heater System



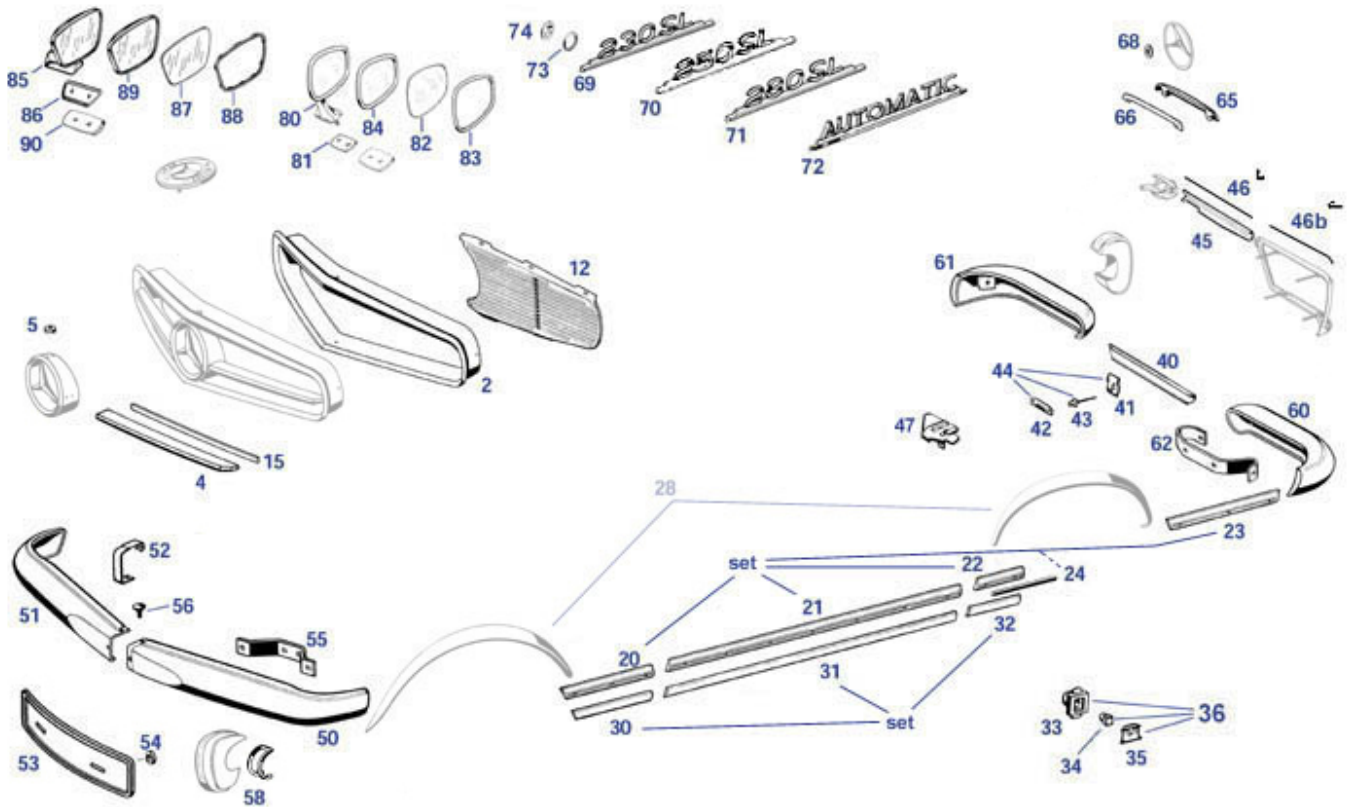
	Clip, bowden cable	<a href="#">775858</a>	0,96 €	1m cooling water hose 12/19mm	<a href="#">250823</a>	7,14 €	
	Light bulb 12V/2W, BA7s	<a href="#">299079</a>	1,99 €	Set, control discs ->67	<a href="#">283102</a>	197,66 €	
	aux el pump, heater hose LHD, BOSCH	<a href="#">583160</a>	141,00 €	Rubbergrommet, defrost tube	<a href="#">183109</a>	16,30 €	
setonly	Set, control discs ->67	<a href="#">283101</a>	221,99 €	Heater core LH, overhauled, non-exchange-service	<a href="#">183117</a>	1.518,40 €	
	overhauled heat exchanger, no used part required	<a href="#">283918</a>	1.439,90 €	water fitting M32 fitting hose 250822	<a href="#">220122</a>	45,08 €	
1	Spring clip nut, 4,2, e.g. wing 107,..	<a href="#">299028</a>	0,33 €	1	Chrome Air intake ornamental mesh, Repr	<a href="#">283720</a>	731,22 €
1	Screw, grille/bodywork	<a href="#">283021</a>	1,90 €	1	Chrome Air intake ornamental mesh, Repr	<a href="#">283620</a>	452,20 €
5	hood above air duct grille, Repr doesn't meet genuine Quality	<a href="#">283820</a>	175,77 €	5	Panel screw, lens head 3,5x13 vent hood	<a href="#">283031</a>	0,18 €
11	bushing, air flaps	<a href="#">283825</a>	8,81 €	12	Rubber seal, air intake flap	<a href="#">283810</a>	28,39 €
12	Seal, fresh air flap	<a href="#">283110</a>	70,00 €	14	Bracket, fresh air flap	<a href="#">283097</a>	50,99 €
14	1 pair brackets, fresh air flap, yellow zined	<a href="#">283897</a>	40,79 €	20	heater valve R113	<a href="#">283815</a>	235,20 €
20	Heater radiator, Repr, incl valve	<a href="#">283618</a>	844,90 €	20	We would be happy to advice you Heater radiator overh. used	<a href="#">283818</a>	638,90 €
21	Sealing ring, heater valve	<a href="#">283022</a>	2,31 €	22	Abdeckung Wärmetauscherventil	<a href="#">298845</a>	6,77 €
22	Closing disc	<a href="#">298045</a>	6,68 €	24	Valve insert, eg heater core W113	<a href="#">283814</a>	26,97 €
25	Rubber grommet, inlet	<a href="#">299003</a>	3,55 €	26	Rubber grommet, return	<a href="#">299004</a>	0,50 €
27	Ball Grommet for Bulkhead Drainage Pipes	<a href="#">283032</a>	25,75 €	35	Seal, RH air duct @ firewall, adhesive	<a href="#">283039</a>	15,47 €
35	Seal, LH air duct @ firewall, adhesive	<a href="#">283038</a>	15,47 €	45	Profile, air duct, 1 Meter	<a href="#">283026</a>	13,01 €
55	1 pair mix air flap	<a href="#">283822</a>	369,40 €	57	Strip,heater case,rubber,Rt., OE-	<a href="#">283028</a>	24,99 €



57	Strip,heater case,rubber,left, OE-qual	<a href="#">283027</a>	24,99 €	59	qual		
63	washer, 6,4 e.g. boot hinge	<a href="#">175005</a>	0,36 €	63	1 pair brackets, inner air flaps, yellow zined	<a href="#">283895</a>	37,13 €
63	Seal, defroster vent duct	<a href="#">283033</a>	8,56 €	63	Hex nut M6, yellow zinc.	<a href="#">181023</a>	0,18 €
64	Rubbermount, defroster air duct R113, 110/111 div.	<a href="#">283837</a>	3,69 €	71	Screw M6 e.g. Bonnet hinges	<a href="#">299289</a>	0,38 €
71	Wire e.g. heater lever	<a href="#">283014</a>	2,62 €	73	1m cable coil, outer	<a href="#">183072</a>	2,90 €
74	rest: Clip, bowden cable, see 775858	<a href="#">775158</a>	3,57 €	74	Clip, bowden cable/ctl.	<a href="#">283034</a>	2,50 €
75	round clips, vent bezels to dash	<a href="#">268143</a>	14,29 €	75	NI Lock disc,in. bowden cable	<a href="#">283036</a>	0,19 €
80	lever disc smoke, 250SL from FN, 280SL	<a href="#">283712</a>	38,08 €	80	Air vent jet w. mesh, chrome	<a href="#">283070</a>	350,92 €
80	Control disc,late FN blue	<a href="#">283010</a>	28,74 €	80	Control disc,late FN red	<a href="#">283011</a>	26,82 €
80	lever disc blue, 250SL from FN, 280SL	<a href="#">283710</a>	38,08 €	80	Control disc,late FNsmkd. gls.	<a href="#">283012</a>	24,97 €
85	Blue insert for escutcheons	<a href="#">183303</a>	3,95 €	85	lever disc red, 250SL from FN, 280SL	<a href="#">283711</a>	38,08 €
85	Red insert for escutcheons	<a href="#">183302</a>	3,99 €	86	Vent-symbol "black target"	<a href="#">883302</a>	4,47 €
87	Rubber grommet 5/10 heating	<a href="#">298875</a>	0,40 €	88	Grommet, 4,5/10mm, cable@wheelarch	<a href="#">182005</a>	2,53 €
90	Plastic lever, vent. @ dashb.	<a href="#">283819</a>	34,75 €	92	Light bulb 12V/2W BA9s, long shape	<a href="#">299095</a>	3,45 €
92	Knob small, heater blower switch, see picture	<a href="#">382826</a>	61,90 €	92	Knob large, heater blower switch, Repro w.chrome nut	<a href="#">282726</a>	61,90 €
92	Knob, heater blower switch, Repro, optical shortcomings	<a href="#">282826</a>	68,29 €	92	Knob,small,heater blower switch, see picture	<a href="#">382825</a>	61,90 €
93	Knob, A/C-vent, green dot	<a href="#">382027</a>	52,30 €	93	A1108201592 Knob, heater blower switch	<a href="#">282026</a>	59,99 €
				93	Knob A/C Temp, blue dot	<a href="#">382028</a>	41,80 €

## 88.b Chrome Parts, Outer Body

88.b Chrome Parts, Outer Body

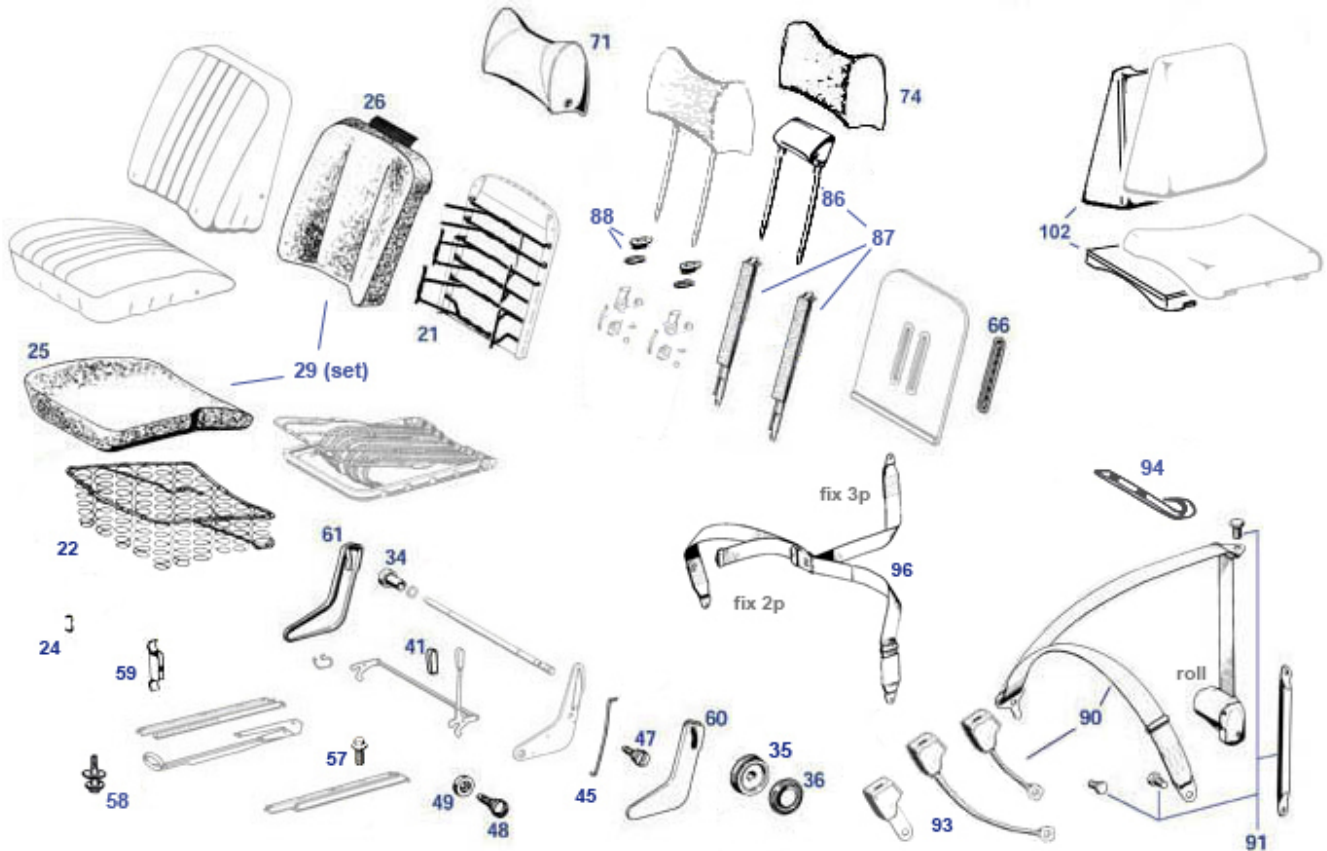


	B-quality Chrome Bumper Repro rr. LH.	<a href="#">B288830-1</a>	236,81 €	setal	Set of 6 aluminum trims, Repro	<a href="#">269880</a>	759,71 €
	threaded stainless spacer, roof trims	<a href="#">299789</a>	29,75 €	frame	Chrome surround LH, taillight early	<a href="#">282132</a>	247,34 €
frame	Chrome surround RH, taillight early	<a href="#">282142</a>	247,34 €	frame	Chrome surround LH, taillight late	<a href="#">282152</a>	246,98 €
frame	Chrome surround RH, taillight late	<a href="#">282162</a>	246,98 €		Chrome Air intake ornamental mesh, Repr	<a href="#">283720</a>	731,22 €
setcr	Set chrome trims 8-pcs, repro	<a href="#">269890</a>	1.289,60 €		Profile, bumperette, grey	<a href="#">189911</a>	9,21 €
2	chromed nose frame REPRO	<a href="#">288111</a>	619,86 €	2	Washer, chrome, high shape, fits up to 4mm screws	<a href="#">288013</a>	2,99 €
2	Grille frame, Repro	<a href="#">288711</a>	702,10 €	2	Nut, 5mm, right hand thread	<a href="#">199095</a>	0,24 €
2	Screw @ front grille	<a href="#">188071</a>	1,79 €	2	complete screw set, chrome plated	<a href="#">299233</a>	399,90 €
2	Screw @ front grille, hi gloss chromed	<a href="#">188171</a>	1,61 €	4	Dec. Strip, grille, Rt., Repro	<a href="#">288044</a>	239,99 €
4	Spring washer M5	<a href="#">299325</a>	0,11 €	4	Dec. Strip, grille, Lt. Repro	<a href="#">288033</a>	239,99 €
4	Pair dec. chrome rails in front grille, repro	<a href="#">288834</a>	279,65 €	5	Bolt M5x10, i.e. Star->Frame, industrial chrome finish	<a href="#">288048</a>	1,45 €
5	Washer, Star/frame	<a href="#">288047</a>	0,55 €	12	Washer, e.g. screws @ mesh	<a href="#">299045</a>	0,21 €
12	Metal screw 4,2x13 SW7   N007976004203	<a href="#">299044</a>	0,44 €	12	Radiator mesh, similar 1138800485, RH	<a href="#">288066</a>	264,44 €
12	Radiator mesh, similar 1138800385, LH	<a href="#">288055</a>	264,44 €	20	Dec. strip, wing, front, Rt.	<a href="#">269080</a>	204,14 €
20	GarnishmouldgR113frltt	<a href="#">269070</a>	204,14 €	20	Screw for chrome strips	<a href="#">269164</a>	0,13 €
21	Dec. strip, R113 @ door, Lt, chromed brass	<a href="#">272250</a>	360,00 €	21	Dec. strip, R113 @ door, Rt., chromed brass	<a href="#">272260</a>	310,00 €
22	Dec. strip, rr,Rt.,before whl.	<a href="#">269120</a>	228,00 €	22	Dec. strip, rr,Lt.,before whl.	<a href="#">269110</a>	195,52 €
23	Dec. strip, rr,Rt., after whl.	<a href="#">269160</a>	308,16 €	23	Dec. Strip, rear RH, after whl.	<a href="#">269261</a>	185,71 €
23	Dec. strip, rear LH, after whl.	<a href="#">269251</a>	241,99 €	23	Dec. strip, rr,Lt., after whl.	<a href="#">269150</a>	308,16 €
24	1m Rubber profile @ heavy trims	<a href="#">272266</a>	8,33 €	24	1m Rubber profile @ heavy trims	<a href="#">272166</a>	5,36 €
31	Dec. strip, ALU R113 @ door RH, repro	<a href="#">272672</a>	99,00 €	33	"Clip"blue"f.aluminumtrim@w	<a href="#">269171</a>	2,92 €
33	Clip, dec. strip, plastic	<a href="#">269161</a>	1,79 €	34	Plug, for dec. Strip	<a href="#">272281</a>	0,86 €

35	Lock washer, alu. dec. strip	<a href="#">272283</a>	0,71 €	40	Dec.strip, below Eur-licence plate	<a href="#">269040</a>	81,99 €
41	Clip, licence strip	<a href="#">270689</a>	13,17 €	42	Clip, licence strip	<a href="#">298690</a>	5,52 €
43	Rivet, rear window drip strips	<a href="#">270691</a>	0,20 €	45	Trim LT, stainless steel, polished	<a href="#">269850</a>	107,99 €
45	Trim LT, brass chromed, fitment @ lock problem	<a href="#">269050</a>	103,51 €	45	Trim RT, brass chromed, fitment @ lock problem	<a href="#">269060</a>	103,51 €
45	Trim RT, stainless steel, polished	<a href="#">269860</a>	107,99 €	45	Pan head tapping screw 2,9X6,5 zinc plated	<a href="#">299049</a>	0,06 €
46b	Rubber profile,1m rear lights, R113	<a href="#">282157</a>	8,22 €	46	Rubber profile, 1m, for 269050/060	<a href="#">269056</a>	8,22 €
47	Chrome Cap B-pillar RT from 03.'66	<a href="#">269840</a>	285,66 €	47	Flat headed screw M4x7 chrome	<a href="#">269243</a>	0,19 €
47	Chrome cap B-pillar RH 230SL up to 02.1966	<a href="#">269839</a>	243,95 €	47	Chrome cap B-pillar left, from 03.'66	<a href="#">269830</a>	285,66 €
47	Chrome cap B-pillar left 230SL up to 02.1966	<a href="#">269829</a>	243,95 €	50	Chrome Bumper repro frt. LH	<a href="#">288890</a>	305,24 €
51	Chrome Bumper Repro frt. RH	<a href="#">288800</a>	305,24 €	52	Join plate, front bumper, REPRO	<a href="#">288110</a>	91,00 €
52	covering frt bumpers, Chrome	<a href="#">288910</a>	150,00 €	53	Licence plate underlay, stainless steel, inner width 46cm	<a href="#">988788</a>	29,75 €
53	Licence plate underlay, fr./rear, s-steel polished, fits 520mm	<a href="#">588088</a>	11,90 €	54	Washer, No./Licence plate	<a href="#">188098</a>	2,82 €
55	Bracket, front bumper, Lt./Rt.	<a href="#">288115</a>	106,64 €	55	Bracket, front bumper, Lt./Rt.	<a href="#">288815</a>	73,95 €
56	Join plate screw M8 e.g. bumper joints	<a href="#">288105</a>	1,20 €	58	see 189911	<a href="#">189011</a>	8,29 €
58	dummy pin, chrome plated 12mm head	<a href="#">988105</a>	2,31 €	58	dummy pin, chrome plated 22mm head	<a href="#">988106</a>	2,62 €
60	Chrome Bumper Repro rr. LH.	<a href="#">288830</a>	415,00 €	61	hex head screw M10 X 20, 10.9 zinc plated	<a href="#">235315</a>	1,40 €
61	Chrome Bumper Repro rr. RH.	<a href="#">288820</a>	415,00 €	62	Screw, bumper bracket	<a href="#">288116</a>	0,76 €
62	Bracket, rear bumper, Lt./Rt.	<a href="#">288125</a>	153,61 €	62	Washer 2mm, thick, exh-manif, bumpers .	<a href="#">214008</a>	0,56 €
62	Bracket, rear bumper, Lt./Rt.	<a href="#">288825</a>	96,90 €	62	Locking ring M10	<a href="#">299328</a>	0,38 €
65	Handle, chrome, trunk lid	<a href="#">275010</a>	160,00 €	66	Rbr underlay,boot lid handle 113,111,10	<a href="#">275011</a>	7,82 €
70	Type designation: 250SL	<a href="#">281021</a>	145,00 €	72	Type designation: Automatic	<a href="#">281025</a>	100,00 €
73	O-Ring blk rubber, eg Type signs	<a href="#">281027</a>	0,13 €	74	Clip, inner diam. 3.5mm, fits pins 4mm	<a href="#">281026</a>	1,18 €
74	Clip, 'Automatic'	<a href="#">281024</a>	0,20 €	80	Rear view mirror, Rt. early, B-quality	<a href="#">281040</a>	100,90 €
80	Rear view mirror, Lt. early, B-quality	<a href="#">281030</a>	101,45 €	81	Rubber pad mirror ->'67, fits L/R	<a href="#">281035</a>	2,64 €
82	Replacement glass, tinted	<a href="#">181026</a>	22,00 €	83	A0008110165 Replacement nylon bezel	<a href="#">181027</a>	14,70 €
84	Mirror head ->67, Repro, clear	<a href="#">181125</a>	47,10 €	85	Rear view mirror, late, rt. B-quality	<a href="#">281060</a>	101,39 €
85	Rear view mirror, Lt. late, B-quality	<a href="#">281050</a>	101,39 €	86	Mirror underlay "trapezoid" '67->	<a href="#">281855</a>	2,56 €
87	Mirror glass, flat, tinted, fits late m	<a href="#">281061</a>	23,80 €	88	Ring, glass retention, 1967-> (trapez)	<a href="#">281062</a>	17,26 €
89	Mirror head '67->, RH, quality deficits, Repro	<a href="#">281852</a>	32,50 €	89	Mirror head '67->, LH, quality deficits, Repro	<a href="#">281851</a>	42,00 €
90a	Hidden bracket, door mirror early	<a href="#">281057</a>	13,39 €	90	Hidden bracket, door mirror late	<a href="#">281056</a>	13,85 €

## 91 Seats

Seats: 03.'64 (230SL) the lower part of the seat was changed, 08.'66 (230SL) came a thicker backrest and with it the space for headrest mounts. For seat item requests, please send us a photo of the seat. Belts: 3-point roll-up belts are not planned in the body and are therefore an individual retrofit. There are various provider suggestions with advantages and disadvantages, we will be happy to advise you. Please plan the belt retrofit in good time, body work may be necessary. Without such conversions, the static belt can 299962 be used, which is available in different colors on request (delivery time).



bits	thread plate for belts	<a href="#">299985</a>	16,11 €	bits	bolt belt supports, 20-UNF 7/16X1-1/4	<a href="#">299979</a>	2,65 €
	Adjuster shaft (noteeth - version) 230SL	<a href="#">291253</a>	39,61 €		rubber buffer for bucket seat	<a href="#">191191</a>	32,00 €
bits	SL 107 Seat Belt Butler Holder Guide material PP, black	<a href="#">786150</a>	26,22 €	bits	Screw for belts	<a href="#">299990</a>	1,36 €
bits	Cover for belts	<a href="#">299989</a>	1,25 €	bits	Screw for belts	<a href="#">299988</a>	3,30 €
bits	Rod, 113 belt supp.reinf. see MB-hint	<a href="#">299987</a>	17,10 €	bits	Support, lower belt shackle->B-pillar	<a href="#">299986</a>	20,09 €
21	A1139100634 B'rest frame, mid. FN Lt.+R	<a href="#">291340</a>	289,99 €	22	seat spring core left	<a href="#">291210</a>	250,00 €
22	seat spring core right	<a href="#">291220</a>	250,00 €	24	100pcs Osborne hog clips	<a href="#">991981</a>	6,55 €
25	pad, rubber fibre, seat RH	<a href="#">291960</a>	267,75 €	25	Foam seat cushion LT (asym.)	<a href="#">291850</a>	184,45 €
25	Foam seat cushion rt. (asym.)	<a href="#">291860</a>	184,45 €	25	pad, rubber fibre, seat LH	<a href="#">291950</a>	267,75 €
26	Foam cushion backrest 113 late	<a href="#">291870</a>	170,00 €	26	pad, rubber fibre, backrest L or R	<a href="#">291940</a>	172,55 €
34	bushing, seat rest adjuster shafts	<a href="#">291832</a>	9,29 €	35	FN: 113.042 from ...002927 to ...012466	<a href="#">291831</a>	77,35 €
35	230SL up to VIN ...002926	<a href="#">291631</a>	155,00 €	36	230SL from VIN ... 012467	<a href="#">291636</a>	76,79 €
36	Cap, ca. 08.'65 -> , 110-113	<a href="#">291836</a>	49,99 €	36	cover, hand wheel, seats up to 07.'67, others	<a href="#">291639</a>	34,45 €
41	Knob, seat adjuster, black	<a href="#">291242</a>	23,80 €	41	Knob, ivory @ R113 seat adjuster	<a href="#">291243</a>	23,80 €
45	Bending spring on the backrest bracket on the right	<a href="#">298408</a>	13,76 €	45	flexible spring at backrest bracket left	<a href="#">298407</a>	13,76 €
47	bolt early seat 230SL, see picture	<a href="#">298406</a>	17,01 €	47	Screw, 'L' plate /backrest,	<a href="#">298701</a>	36,49 €
47	Upper Plastic Buffer Seat   A1139180096	<a href="#">298402</a>	7,85 €	47	Screw, 'L' plate /backrest,	<a href="#">298401</a>	40,81 €
48	Bolt as per illustration	<a href="#">298405</a>	40,81 €	48	Bolt M10, 32mm thread	<a href="#">298805</a>	42,70 €
49	Spacer ring, 'L' plate, stainless steel	<a href="#">298703</a>	18,87 €	49	Spacer ring, 'L' plate, steel, zincd	<a href="#">298803</a>	19,37 €
57	Bolt, seat lower rail to support (floor structure)	<a href="#">299851</a>	9,09 €	59	Clamp for the seats W113 Pagode 230-280SL	<a href="#">291245</a>	18,64 €

60	Pair chrome covers, seat LH, late style	<a href="#">291247</a>	188,70 €	60	Pair chrome covers, seat RH, late styl	<a href="#">291248</a>	188,70 €
60	Pair chrome covers, seat LH, early styl	<a href="#">291232</a>	198,00 €	60	Pair chrome covers, seat RH, early styl	<a href="#">291233</a>	198,00 €
66	Mesh and ornamental frame, metal	<a href="#">291770</a>	324,99 €	66	Pair! Mesh and ornamental frame, plastic	<a href="#">291970</a>	163,49 €
71	Leather cover headrest 113, example: grey	<a href="#">293130</a>	130,90 €	74	rubber hair pad, head rest insert	<a href="#">291948</a>	160,65 €
74	Headrest foam insert w/o Attachments	<a href="#">291648</a>	72,59 €	74	Headrest foam insert w/o Attachments	<a href="#">291748</a>	58,31 €
78	oval eye, headrest rods	<a href="#">291843</a>	2,90 €	80	Raw frame and bracket, headrest retrofitting	<a href="#">291647</a>	740,00 €
90	Automatic 3pt belt R113 subsequent	<a href="#">299973</a>	105,90 €	90	Seat belt lock 22cm	<a href="#">299970</a>	23,80 €
90	Seat belt 3pt Aftermarket 22cm lock	<a href="#">299964</a>	68,89 €	93	Seat belt lock 30cm	<a href="#">299943</a>	23,80 €
93	Seat belt lock 45cm, requires fixture as manual 91.18	<a href="#">299944</a>	23,80 €	96	pelvic seat belt "static"	<a href="#">299968</a>	112,99 €
96	Seat belt "static" 3-point, black	<a href="#">299965</a>	84,75 €	96	Seat belt "static" 3-point, black, chrome lock	<a href="#">299962</a>	135,01 €
100	Leather for 3rd seat, e.g. black	<a href="#">293190</a>	499,80 €	102	rr seat framework + cushion	<a href="#">268875</a>	549,99 €

## 99.a Accessories

### 99.a Accessories



	wheel mounting aid, aluminium, 130mm, M12 X 1,5	<a href="#">740213</a>	14,25 €		Lift adapter 108-111-113	<a href="#">258610</a>	163,49 €
	Knob, radio	<a href="#">254850</a>	32,00 €		Wheel clamp, anti-theft	<a href="#">940901</a>	53,55 €
	1 pair of tire protection underlay pads	<a href="#">940900</a>	52,00 €		Tire jack holder 190SL	<a href="#">164043</a>	130,00 €
	Wheel clamp, anti-theft "Nemesis"	<a href="#">940902</a>	261,80 €		Washer 13mm e.g. prop shaft disc bolts	<a href="#">741122</a>	0,50 €
	Automatic-Antenna Auta 2050, new version, front mount	<a href="#">299935</a>	176,72 €		Support, Tire holder @ inner wheelarch	<a href="#">164058</a>	91,40 €
	fly wheel extracting tool	<a href="#">258205</a>	308,20 €		Jack/tool support	<a href="#">164054</a>	126,00 €
1	Spare wheel holder	<a href="#">240015</a>	463,60 €	2	Wing screw 230SL FN	<a href="#">240006</a>	42,53 €
3	A3269900740 Washer, wing screw	<a href="#">240009</a>	16,54 €	6	Cone handle screw, horiz. spare tyre	<a href="#">240018</a>	115,00 €
6	N/A: Cone handle screw, horiz. spare tyre	<a href="#">240818</a>	100,00 €	7	Plate, spare tyre screw	<a href="#">240819</a>	69,62 €
7	Plate, spare tyre screw	<a href="#">240019</a>	65,55 €	9	A1158900014 Screwplate with offset lev	<a href="#">240014</a>	240,00 €
10	Tool bag without tools	<a href="#">258806</a>	48,79 €	10	leatherbag for chrome handle red	<a href="#">258803</a>	28,62 €
10	leatherbag for chrome handle black	<a href="#">258802</a>	28,62 €	10	leatherbag for chrome handle cognac	<a href="#">258804</a>	28,62 €
14	Wheel nut wrench, orig, latest version	<a href="#">259101</a>	23,50 €	15	wheel mounting aid, aluminium, 100mm, M12 X 1,5	<a href="#">740210</a>	12,95 €
15	Mounting bolt for tyre service, chromed	<a href="#">259809</a>	49,24 €	19	Safety wedge f.tyre service	<a href="#">258110</a>	286,20 €
30	25Amp fuse, short version, NOS	<a href="#">258991</a>	5,69 €	35	Staubfrei Handfeger Cotton, 35cm	<a href="#">999915</a>	49,99 €
35	Vinyl covering, spare tyre (horiz-)	<a href="#">289889</a>	221,99 €	40	Label set, 9 piece, self adh.	<a href="#">299950</a>	30,64 €

42	lev) Gummed label,M130 Valve Cover	<a href="#">299953</a>	6,25 €	52	Book: Glens MB Repair & Tune Up Guide	<a href="#">111301</a>	26,75 €
52	Book(german) MB190SL,230-280SL	<a href="#">211300</a>	53,39 €	52	"Book:"Buyers Guide Pagoda", Brass"	<a href="#">211306</a>	23,54 €
52	Book "Ultimate Portfolio" SL'63-71	<a href="#">211308</a>	31,67 €	55	Antenna insert 900mm	<a href="#">799970</a>	15,91 €
55	Antenna, manual, red knob	<a href="#">299967</a>	101,95 €	60	Wind mesh "Weyer-Premium" 230-280SL Pagoda, premium quality	<a href="#">286807</a>	499,99 €
60	Wind mesh "Weyer" 230-280SL Pagoda, For vehicle with 3rd seat	<a href="#">286806</a>	265,00 €	60	Wind mesh "Weyer" 230-280SL Pagoda	<a href="#">286805</a>	475,99 €
69	Speedo watch 280SL pagoda	<a href="#">299996</a>	169,99 €	69	Armbanduhr "Tacho-Design" Strich- Acht	<a href="#">599996</a>	169,99 €
70	Indoor Car Cover Premium, "L", grey	<a href="#">299909</a>	89,86 €	70	Car cover, W113, Pagoda, outdoor	<a href="#">299906</a>	355,81 €
70	Car cover "FirstClass",Sport large blue	<a href="#">799800</a>	199,99 €	70	Car cover W113, Pagode	<a href="#">299905</a>	249,90 €
80	1 pce Wing prot.cover, cotton, magnet	<a href="#">999922</a>	37,00 €	86	professional battery charger 10A	<a href="#">954090</a>	267,75 €