

## Mercedes 280 - 500SL/C (R/C107)



SLS Import- und Export Handelsgesellschaft mbH

## Content

<b>72.x Body Rubber Seals / Weatherstrip Kits</b>	6
<b>90 Frequently Required, Retrofit US -&gt; Euro Attachment Parts</b>	7
<b>01, 03, 05 Engine 6-Cyl., mechanical components</b>	8
01, 03 M110 Eng.Block, Pistons, Crankshaft	8
01, 05, M110 Cylinder Head Housing	9
05 M110 Timing Chain, Camshaft, Valves	10
<b>01-05, 18, .. Engine M116/M117, Mechanic</b>	12
01.b, 03, 05 Motor M116/M117	12
01.c, 05 Cylinder heads 3.5 and 4.5	13
01.d, 05 Cylinder heads 380/420/500/560	14
05 Timing Chain drive M116/M117	16
<b>07.a-b D-Jetronic EFI Components</b>	18
07.a D-Jet EFI components 280SL/SLC	18
07.b D-Jet EFI components 350/450SL/C	19
<b>07.e-h K-Jet (CIS) Injection</b>	21
07.e KA Injection 280SL/SLC	21
07.f KA (K-U) Injection / Idle Air, V8 Engines	22
07.g M103 Injectors and Flow Divider	23
07.h KE Injection / Idle Air, V8 Engines	24
<b>09 Engine Air Ducts</b>	27
09.a Air filter	27
09.b M110 K-Jet Hoses: Vent and Idle Air	28
09.e M103 Air Filter, Vent and Idle Air	28
09.i M110/116/117 Info hidden position engine air duct	29
<b>15, 18, 20 Engine Service + Ignition</b>	31
Eng.Maintenance + Ignition Parts	31
15.b Alternator + Starter	32
15.c Ignition Lead Sets, table assorted	34
15.i Info Spark Plugs	34
18 engine oil circuit: pump, filter, lines	35
<b>22, 24 Engine Mounting</b>	37
22, 24 a Quick guide engine rubber mounts and dampers	37
22 b. Engine rubber mount variants	37
24 c. Variations of engine damper and fitment bits	38
<b>25,26,27,29,30 Gearbox, Clutch, Automatic, Pedal</b>	40
25 Clutch disk, if manual gearbox	40
26.a 4-Speed manually, linkage&box	40
27.a Automatic to 03.80: K4A, W4B, W3A, W3B	41
27.b Automatic from 03.80: W4A 040	43
29 clutch hydraulic and pedals	44
30 Linkage, accell pedal to throttle	44
<b>32,33 Front Axle, Suspension Springs</b>	46
33 Front suspension	46
32.i Info nec. find correct Spring	47
<b>35 Rear Axle</b>	49
35.b Wheel suspension, standard diag.ctrl.arm	49
35.c Rear control arm, type interlinked hub	50
35.d Differential gear + drive shafts	51
35.g Info drive shafts	52
40,41 main prop shaft, wheels	53
40.c Rims and wheel bolts	54
<b>42 Brakes</b>	56
42.c Front wheel brake up to 02.1980	56
42.d Front wheel brake 03.1980-08.1985	56

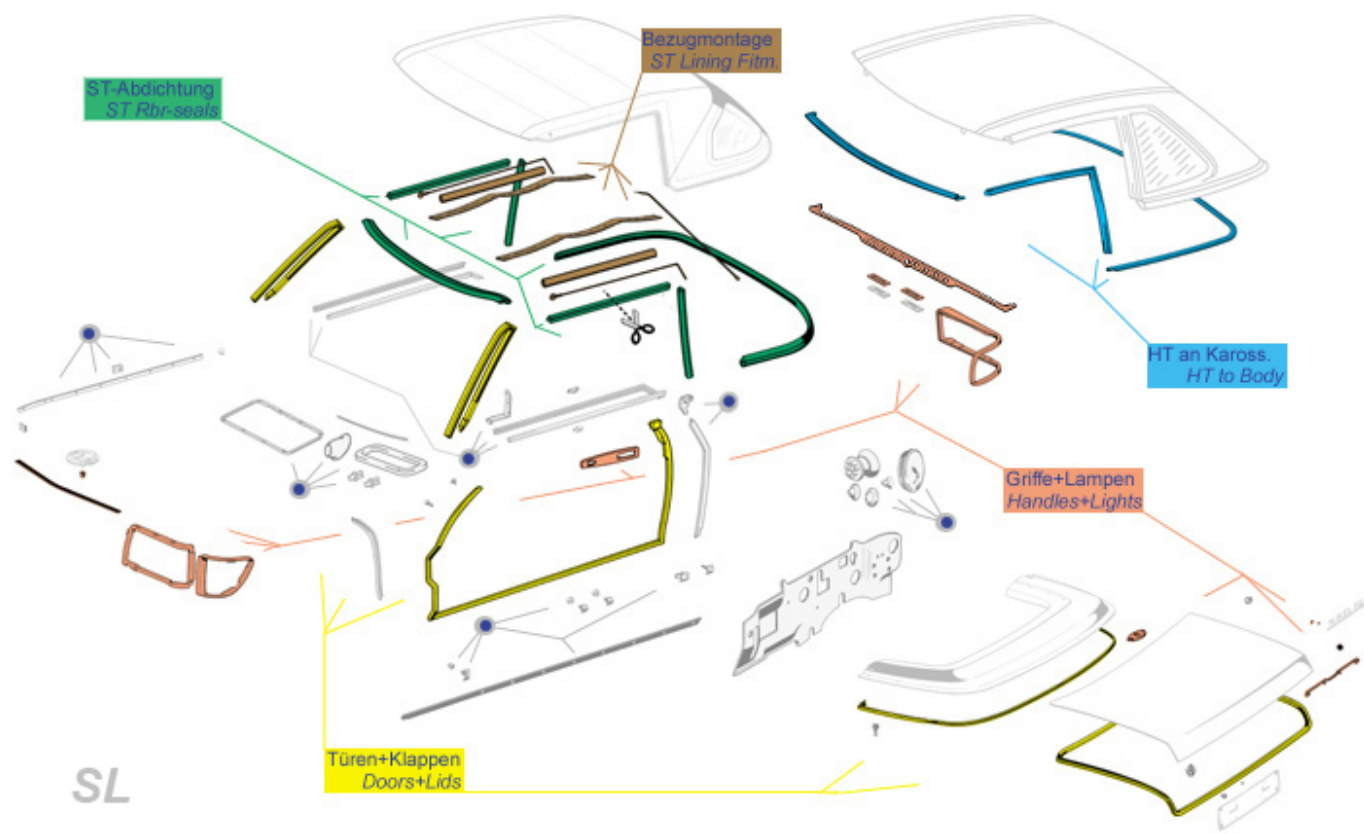
42.e Front wheel brake from 09.1985	57
42.a Brake small compendium	58
42.e Info Axle-type<->Brake hoses	61
42.h rear ropes parking brake	61
42.g Equipment for ABS	62
<b>46 Steering</b>	<b>63</b>
46.a Steering Gear and Linkage LHD 1st Generation	63
46.b Steering Column	64
46.c Power steering pump V8 early "Vickers"	64
46.d PWS Pump late, Alu-style	65
<b>47 Gas Tank and Fuel Pump</b>	<b>66</b>
47.a Fuel System 1971-1976	66
47.d Fuel System from 09.'1985	67
47.b Pump packages between 1976 and 1985	69
<b>49 Exhaust System</b>	<b>72</b>
49.b Exhaust systems 8-Cylinder	72
49.c Exhaust systems 6-Cylinder	72
49.e Exhaust Fitment Parts	73
<b>50, 20, 83 Cooling System</b>	<b>76</b>
50, 20, 83 Radiator and Waterhoses, main	76
50.b 20, 83 Cooling system 280 only	77
50.a, 20, 83 Cooling System 3.5 / 4.5 only	78
50.c, 20, 83 Cooling System 380 USA only	80
50.b 20, 83 Cooling system 300SL only	81
50.e 20, 83 Cooling system V8 from 09.'85	82
<b>54 Electric, Body</b>	<b>85</b>
46, 54 Cockpit and Switches	85
15, 54 El. Control Units & Relay	86
54.b, 61 Rubbergrommets	87
54.c Wires, Main Harness, Add On Selections	88
54.d Accessories for Wiring Harness	88
54.e Battery mounts, front or trunk	89
54.f switch elements, operating controls	90
<b>60 Body, raw Frame, Floors and Panelling</b>	<b>92</b>
54.c, 62 Firewall Grommets, Plugs, Insulation	92
61.c Floors, SL Body	92
61.c Floors, SLC Body	94
62.b Front, Body / Frame	95
63,64.c Boot, Boot Floors, Tail Panels, SL	96
63,64.c Boot, Boot Floors, Tail Panels, SLC	97
<b>67 Windows and Weatherstrips</b>	<b>99</b>
67.c SLC Windows, weatherstrips	99
67.b, 69, 81 Windscreen and Window Frame Attachment Parts	99
72, 75, 77, .. Body Rubber Seals / Weatherstrip Kits	101
72.c Door Window	102
<b>68, 69 Interior Covering, Damping, Insulation</b>	<b>104</b>
54.c, 62 Firewall Grommets, Plugs, Insulation	104
68.a Dashboard and wooden covers	104
68.b Noise reduction passenger compartment	105
68.c, 69 Covers door step / rocker panel	106
68.d, 81, 78 SLC inner roof attachments and covering	108
68.e, 69 Trunk covers and noise reduction	109
69-72.c side wall garnish trims and mounting bits	110
69-72.b Info clips and plugs garnish trim mounting	111
<b>69, 88 Deco- and Chrome Attachments</b>	<b>113</b>
69 Summary Deco- and Chrome Attachments, SL-Body	113

69-72.b Info clips and plugs garnish trim mounting	114
69-72.c side wall garnish trims and mounting bits	114
75, 69, .. Rear Body Attachment Parts	115
<b>72 Doors</b>	118
72.b Door, frequently asked Items, Overview	118
72 Door Locking Mechanism and Central Vacuum Locking	119
81 Door Mirror	120
72.c Door Window	120
<b>72.x Body Rubber Seals / Weatherstrip Kits</b>	123
<b>75, 77, 78, 88 Body Lids, Bonnet</b>	124
75, 69, .. Rear Body Attachment Parts	124
68.d, 81, 78 SLC inner roof attachments and covering	125
88.a Panelling front	126
<b>77,79 SL-Tops, Softtop, Hardtop</b>	128
77, Softtop	128
77.c Softtop Hood	129
79 Hardtop	130
79 a Hardtop Storage	131
<b>80 Vacuum System</b>	132
80.a Vacuum Reservoirs	132
80.g Vacuum seat locking	132
80.b Lighting distance control	133
80.e Central locking, vacuum devices	134
<b>81 Equipment-Interior Appointments</b>	136
<b>82 Lighting Installation</b>	138
82.b Lighting Installation, summary	138
82.c Lighting installation Export / US	139
82. Headlamp Euro H4 and Parts	140
<b>82.b, 86 Wash and Wipe Assy Windscreen &amp; Headlights</b>	143
82.b, 86 Wash and Wipe Assy	143
86 Waschwasser Behälter, Pumpe, Leitungen, Düsen	144
82.e Antenna	145
<b>83 Heater System</b>	146
83.c Operation early Type	146
83.d Radiator Assy up to 08. '81	146
83.e A/C automatic controlled	147
83.g Water Circuit Duovalve, LHD from 81	148
<b>88 Attachment Body Parts: Front and Bumpers</b>	150
88 Export Bumpers, large	150
88 Bumpers, european	150
88 Front Wings, Bonnet	152
<b>90 Frequently Required, Retrofit US -&gt; Euro Attachment Parts</b>	155
<b>91 Seat, mech. parts</b>	156
<b>94 Special Interior Equipment</b>	158



Jacobsrade 27 · D-22962 Siek  
Tel. +49(0)40 656 939-0 · Fax +49(0)40 656 939-399  
I-net: [www.sls-hh.de](http://www.sls-hh.de) · e-mail: [service@sls-hh.de](mailto:service@sls-hh.de)

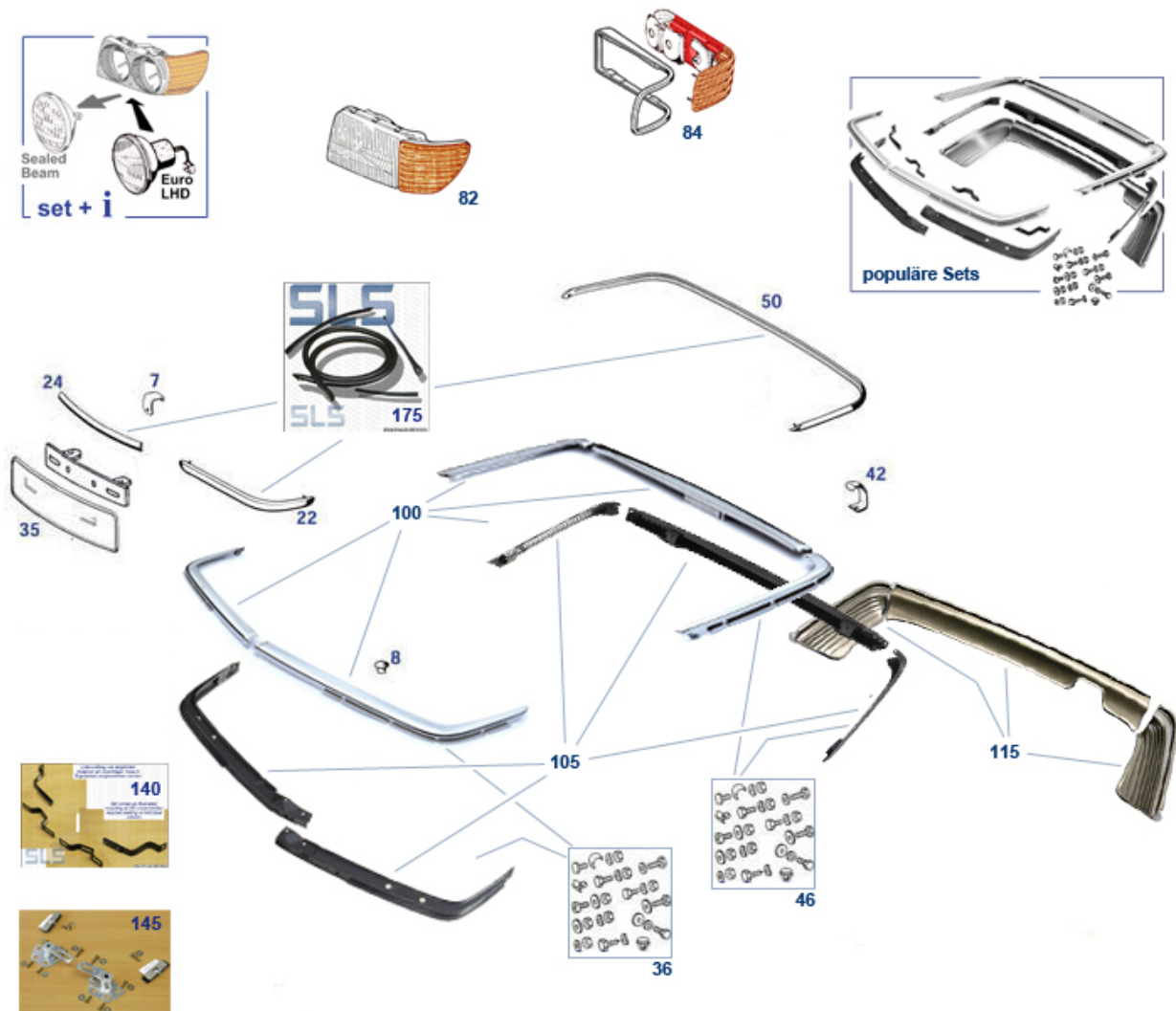
## 72.x Body Rubber Seals / Weatherstrip Kits



SLC



## 90 Frequently Required, Retrofit US -> Euro Attachment Parts

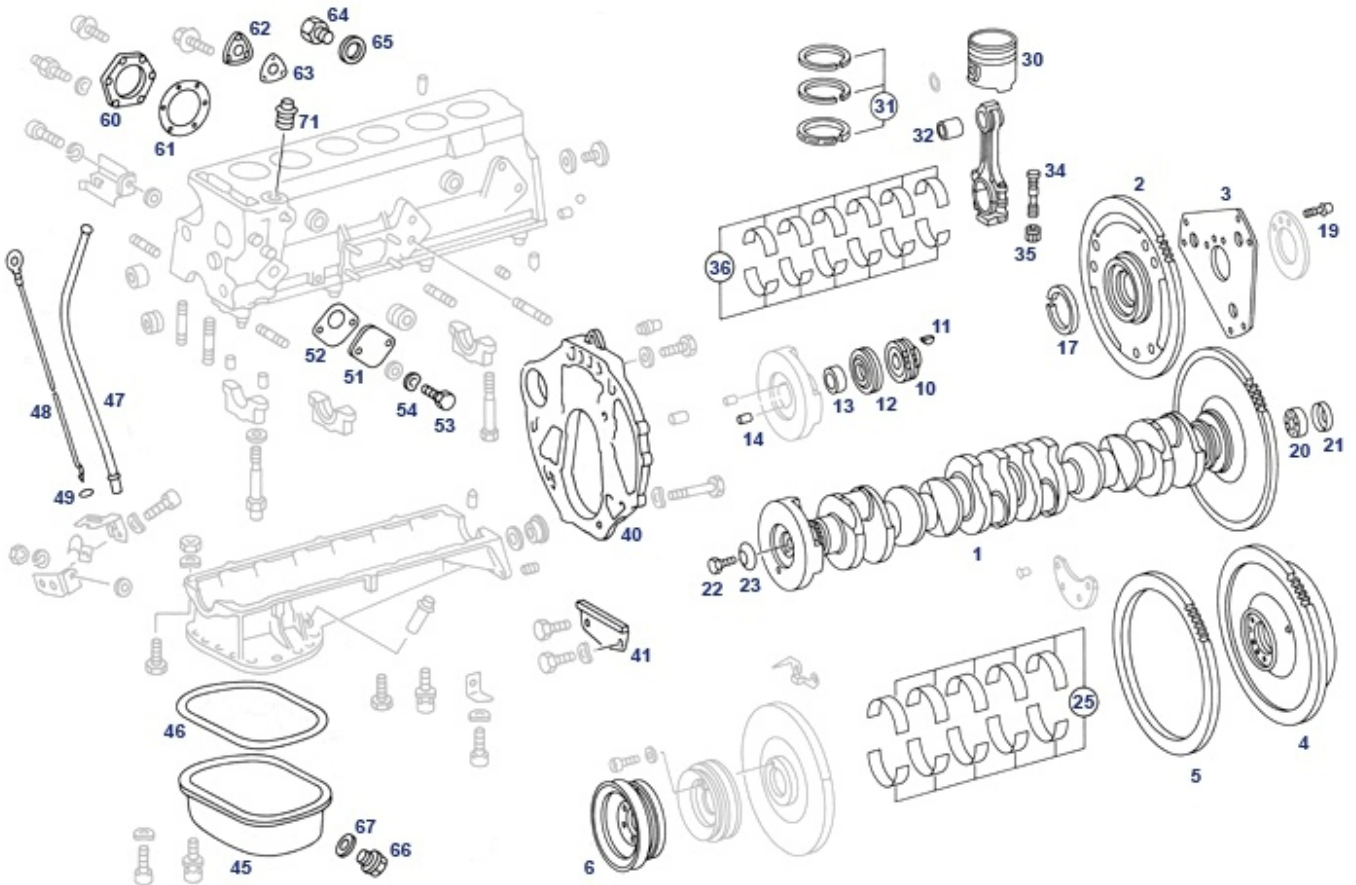


	washer, stainless steel 6,4	<a href="#">788822</a>	0,19 €		Ground adapter cable, U.S. dismantling, types with lamp control	<a href="#">782890</a>	12,79 €
	hex nut, stainless steel M8	<a href="#">788820</a>	0,76 €		hex nut, stainless steel M6	<a href="#">788821</a>	0,43 €
	Polyamide bushing 10,5 x 30 x 8	<a href="#">788725</a>	5,05 €		Euro H4 lamp insert, LHD, w.parking lamp option	<a href="#">782747</a>	36,50 €
	el. bits for installation of H4 into US frame	<a href="#">782749</a>	7,44 €		.Gasket,headlamp/wing, Lt., Repro	<a href="#">782535</a>	34,51 €
	Gasket,headlamp/wing, Rt., Repro	<a href="#">782545</a>	34,51 €		Seal, tail lamp LH, too stiff reproduction	<a href="#">782685</a>	53,55 €
8	Seal, tail lamp RH	<a href="#">782675</a>	53,55 €	8	plastic plug w.chrome cap	<a href="#">788995</a>	1,92 €
22	plastic plug w.chrome cap	<a href="#">788195</a>	0,99 €	22	SL 107 Right Front Bumper Rubber	<a href="#">788680</a>	75,26 €
24	SL 107 Left Front Bumper Rubber	<a href="#">788670</a>	75,26 €	24	Clip, prot. strip, front	<a href="#">788897</a>	0,40 €
24	SL & SLC 107 Centre Front Bumper Rubber (Euro)	<a href="#">788775</a>	41,53 €	24	Profl.for insert R/C107 fr.	<a href="#">788098</a>	50,50 €
35	lic-plate support, Euro	<a href="#">788086</a>	30,88 €	42	chrome bumper joint, fits front & rear	<a href="#">788910</a>	109,00 €
46	Set rubber plugs for US-bumper removal	<a href="#">788499</a>	15,47 €	50	Profile rear bumper protection EURO, repro	<a href="#">788895</a>	102,64 €
50	SL & SLC 107 Rear Bumper Rubber	<a href="#">788695</a>	109,93 €	84	Tail lamp lens LH, European, recommended Repro	<a href="#">782751</a>	245,00 €
84	Tail lamp lens RH, European, recommended Repro	<a href="#">782761</a>	245,00 €	140	bracket set for EU front bumper, see illustration	<a href="#">788840</a>	250,00 €
145	Set adapting supports EUR pumper->US-body, powdercoat	<a href="#">788751</a>	249,00 €	145	Set adapting supports EUR pumper->US-body, zined	<a href="#">788750</a>	267,75 €

## 01, 03, 05 Engine 6-Cyl., mechanical components

### 01, 03 M110 Eng.Block, Pistons, Crankshaft

01, 03 M110 Eng.Block, Pistons, Crankshaft

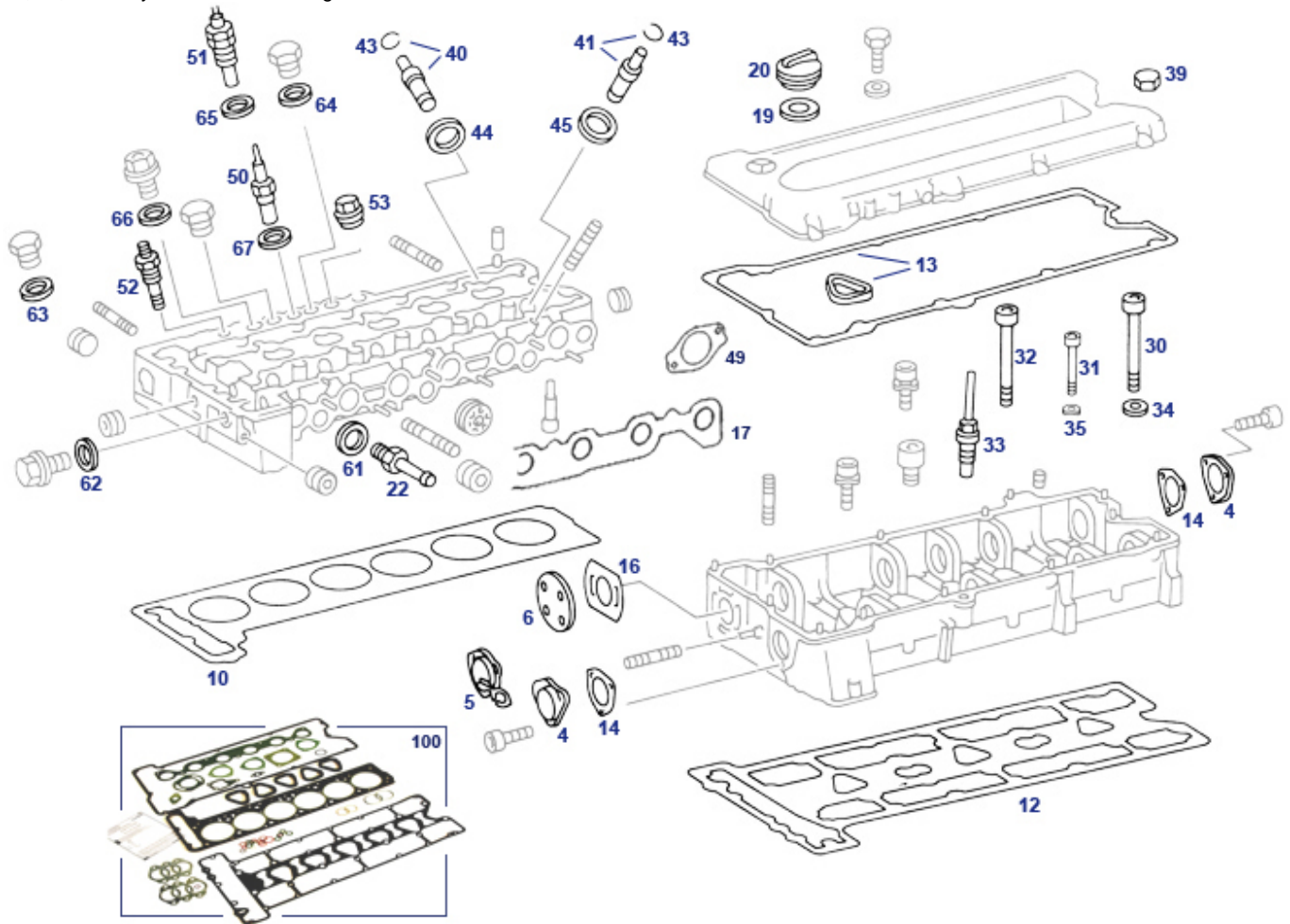


	Gkt.,outlet manif./cyl. head	<a href="#">714290</a>	0,57 €		Dichtung Krümmer M110	<a href="#">714298</a>	0,81 €
shim	Washer 6,4 x 11 zinc plated	<a href="#">799914</a>	0,12 €	3	disc, flywheel to autm drive 127FN,110	<a href="#">203105</a>	92,03 €
5	Ring gear, starter, all M127,129,130	<a href="#">203200</a>	54,92 €	10	A1110520003 crank sprocket	<a href="#">703011</a>	130,90 €
12	Seal ring C/S frt M127 early, slim shape	<a href="#">303046</a>	12,20 €	13	Ring, spacer, M110	<a href="#">703045</a>	33,20 €
20	Pilot bearing	<a href="#">103093</a>	3,83 €	21	Cover, pilot bearing	<a href="#">103094</a>	1,81 €
25	Main bearing set 59,75mm	<a href="#">703351</a>	148,20 €	25	Main bearing set 59,50mm	<a href="#">703352</a>	254,49 €
25	Main bearing set 60,00mm 280R6 FN	<a href="#">703850</a>	242,40 €	25	Main bearing set 59,25mm	<a href="#">703353</a>	155,95 €
25	Main bearing set 60,00mm	<a href="#">703350</a>	155,18 €	30	Piston M110 86,50mm rep.-size 1	<a href="#">703281</a>	195,01 €
30	Piston M110 86,50mm rep.-size 1	<a href="#">703881</a>	183,52 €	30	Piston M110 87,00mm rep.-size 2	<a href="#">703282</a>	200,99 €
31	Engine set piston rings M110 86,00mm	<a href="#">703285</a>	350,06 €	31	Engine set piston rings M110 87,00mm	<a href="#">703287</a>	333,20 €
31	Engine set piston rings M110 86,50mm	<a href="#">703286</a>	333,20 €	34	Con Rod Bolt, M110 FN	<a href="#">703275</a>	25,97 €
36	M110 Engine 48mm Con Rod Bearing Set	<a href="#">703560</a>	85,62 €	36	M110 Engine 47.5mm Con Rod Bearing Set	<a href="#">703562</a>	65,72 €
36	Big end br. set M110 47,25mm	<a href="#">703563</a>	62,30 €	36	Big end br. set M110 47,00mm	<a href="#">703564</a>	61,82 €
36	Big end br. set M110 47,75mm	<a href="#">703561</a>	59,63 €	41	Plate , cover, gearbox case	<a href="#">225056</a>	33,97 €
45	Lower pan, oil pan, 280SL replaced style	<a href="#">201214</a>	22,16 €	46	Sump gasket late (=19-hole), 280,...DPH	<a href="#">201801</a>	16,61 €
46	Gasket kit short block M110, pls. eng-n	<a href="#">702201</a>	72,19 €	46	Sump gasket late (=19-hole), 280,...Elring	<a href="#">201001</a>	16,96 €
48	Dipstick,280SL late, Repro, poor paint	<a href="#">218117</a>	29,93 €	49	seal, dip stick M102, M103, M104	<a href="#">718119</a>	0,51 €
52	Gasket at crankcase, 190SL, M110 early,	<a href="#">109004</a>	0,51 €	52	Gkt.Rt.h. cover .982(7)986,990	<a href="#">709004</a>	2,34 €
53	Screw engine mount rear	<a href="#">222025</a>	0,80 €	54	Waved spring washer M8	<a href="#">799911</a>	0,18 €

60	Cylinder block cover, 6-hole	<a href="#">201026</a>	2,05 €	61	Gasket,water valve cover, 6-hole	<a href="#">201029</a>	2,00 €
62	Sealing plate , 3 hole, 280SL	<a href="#">201027</a>	1,46 €	63	Gasket, water cover M130 and M110, 3-hole	<a href="#">201028</a>	0,84 €
65	Seal ring e.g. fuel damp housg	<a href="#">207178</a>	1,46 €	66	Plug screw oil sump M12 (fits replaced pan)	<a href="#">299312</a>	1,32 €
66	Plug screw oil sump M12 (fits replaced pan)	<a href="#">299302</a>	0,81 €	66	Sump plug, version inhex	<a href="#">299300</a>	4,69 €
67	Seal ring, sump plug	<a href="#">299303</a>	0,13 €	67	Sealing ring fits lage sump drain plug (M26)	<a href="#">299301</a>	0,31 €
71	A1801500107 Distributor drive bushing	<a href="#">105039</a>	136,85 €	101190	parallel pin, tolerance zone m6, 10 X 14	<a href="#">101190</a>	1,34 €

## 01, 05, M110 Cylinder Head Housing

01, 05, M110 Cylinder Head Housing



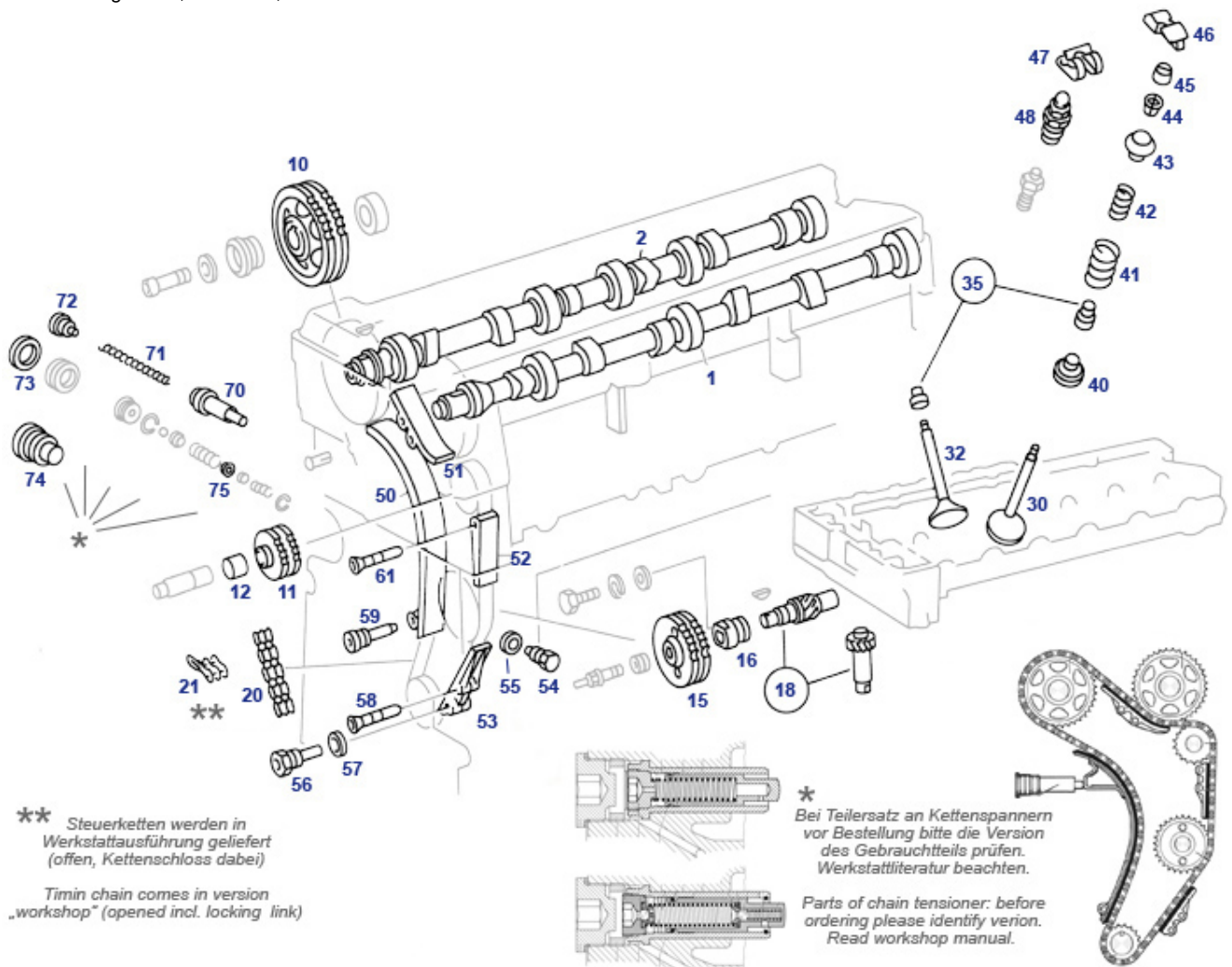
hex socket head cap screw 12.9 M12 X 120	<a href="#">701107</a>	2,98 €	Gkt.Rt.h. cover .982(7)986,990	<a href="#">709704</a>	1,99 €
Ball bolt, threaded M110, reproduction	<a href="#">705839</a>	55,10 €	Nut M8, copper, hex, with collar	<a href="#">614008</a>	0,31 €
Example with M110.990: Manual from M ... 001460 Autom. from M	<a href="#">705094</a>	10,33 €	Rep. set shaft seals. M110.986 late	<a href="#">705093</a>	32,03 €
6 cap, covers cam shaft door	<a href="#">701228</a>	42,44 €	10 Gasket, cylinder head M110	<a href="#">701020</a>	52,40 €
10 Cylinder Head Gasket M110	<a href="#">701820</a>	22,97 €	12 Gasket M110 cam shaft housing	<a href="#">701811</a>	16,22 €
12 Gasket, camshaft box M110	<a href="#">701011</a>	18,49 €	13 Rocker Cover Gasket Set M110	<a href="#">701010</a>	45,86 €
13 Gasket set valve cover M110	<a href="#">701810</a>	30,89 €	13 seal, spark plug hollow M110	<a href="#">707811</a>	3,15 €
16 Gasket, camshaft housing	<a href="#">701225</a>	1,33 €	17 Gkt.inlet manif. M110.986(11)	<a href="#">714282</a>	5,13 €
17 Gkt.inlet manif. M110.986(10)	<a href="#">714281</a>	5,75 €	19 Seal ring, fits plastic oil filler caps, 47 x 59 x 2,5	<a href="#">701356</a>	1,87 €
20 Oil filler cap,plastic/snap on	<a href="#">250102</a>	3,74 €	22 A1272000456 Fitting, oil heat exchanger	<a href="#">201006</a>	42,84 €
30 hex. socket head cap screw 12.9	<a href="#">701150</a>	5,36 €	30 Satz Zyl.-Kopfschrauben M110.986	<a href="#">701181</a>	44,13 €



30	M12 X 150 Head bolt 145mm, early style	<a href="#">201145</a>	7,88 €	31	spät hex. socket head cap screw, zinc plated M8 X 135	<a href="#">701149</a>	4,59 €
32	Cylinder Head Bolt  119mm, e.g.. M110 5x	<a href="#">701119</a>	2,75 €	39	hex. cap nut, 1.4305, M8	<a href="#">701819</a>	1,99 €
40	Valve guide exh.M110, 15,04mm	<a href="#">705261</a>	12,74 €	40	Ventilführung A M110 Rep.II. 15,40mm	<a href="#">705263</a>	10,78 €
41	Valve guide In, M110 14.04mm	<a href="#">705241</a>	7,08 €	49	Gkt.,outlet manif./cyl. head	<a href="#">714290</a>	0,57 €
49	Dichtung Krümmer M110	<a href="#">714298</a>	0,81 €	50	Sender unit, coolant temp.gauge	<a href="#">754097</a>	6,66 €
52	Temp. sender , not usable replacement	<a href="#">754396</a>	27,27 €	61	sealing ring, aluminium 30mm	<a href="#">215032</a>	0,81 €
62	Seal ring	<a href="#">701299</a>	0,37 €	63	Washer	<a href="#">143039</a>	3,25 €
64	Seal ring 14mm Alu	<a href="#">207186</a>	1,08 €	65	Copper seal ring	<a href="#">207115</a>	0,18 €
66	Seal ring 10x13,5, copper, e.g. wheel cyl, ..	<a href="#">142039</a>	0,18 €	100	Cyl. head gasket set M110 late.	<a href="#">702101</a>	145,11 €

## 05 M110 Timing Chain, Camshaft, Valves

05 M110 Timing Chain, Camshaft, Valves



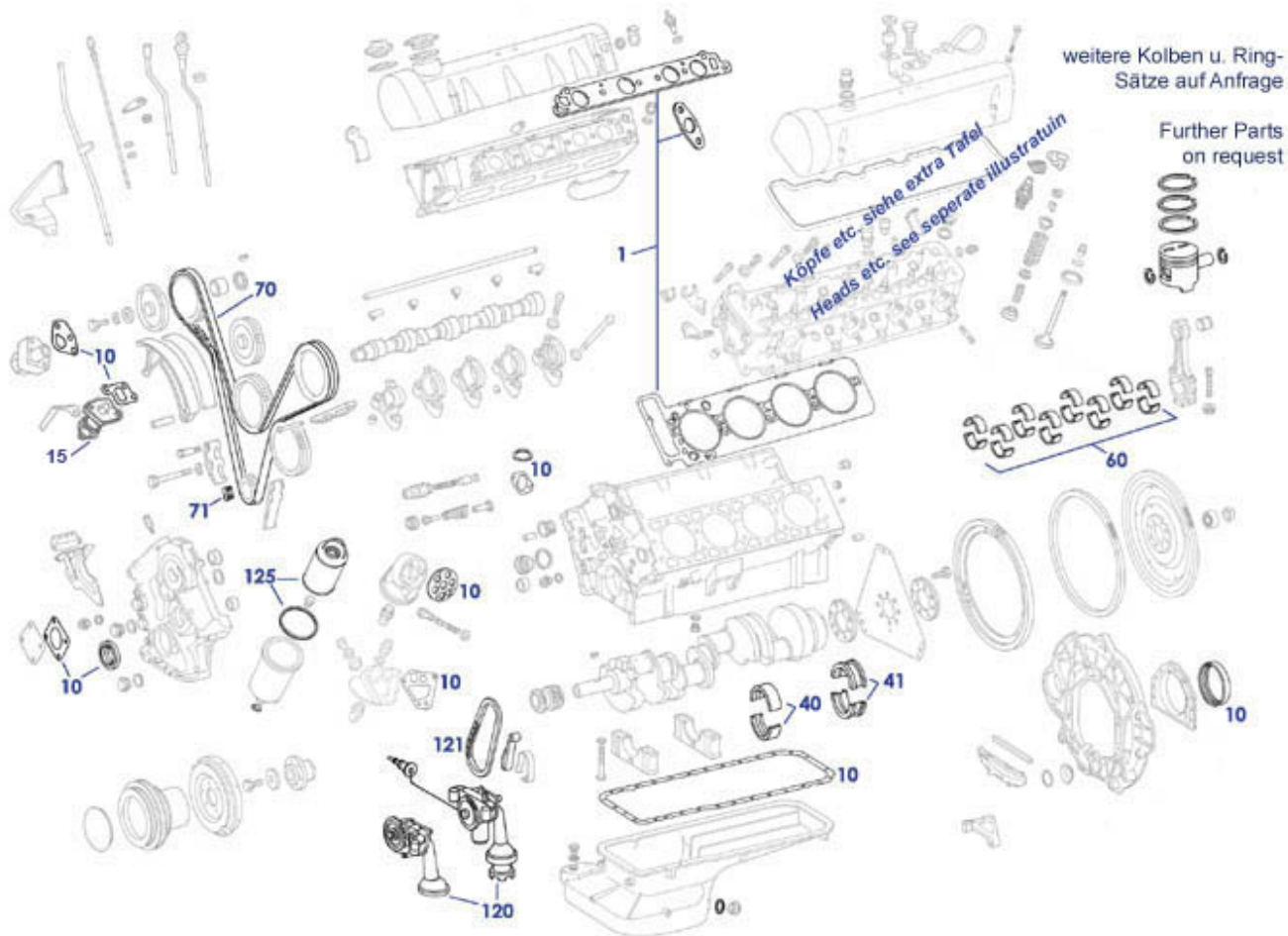
1	woodruff key, standard, 4mm Nockenwelle Einl.M110 MOTORNUMMER	<a href="#">205077</a> <a href="#">705289</a>	1,00 € 187,10 €	10	A6219910467 Woodruff key, 4° cs. A1300520001	<a href="#">205078</a> <a href="#">705201</a>	13,99 € 184,45 €
11	A1300500005	<a href="#">705225</a>	110,00 €	12	Bushing	<a href="#">105112</a>	40,70 €
15	A1300520002	<a href="#">705222</a>	160,65 €	16	Bushing, intermediate sprocket shaft	<a href="#">205020</a>	59,98 €
20	Timing chain 130 Inks (shorten,if necessary)	<a href="#">105003</a>	60,90 €	21	MasterLink Duplex chain (content of chain)	<a href="#">199013</a>	2,55 €
30	Valve, Inlet, M110	<a href="#">705250</a>	27,31 €	32	Valve, Exhaust, 2.8 / 3.5 up to	<a href="#">705270</a>	70,00 €

32	Valve,Exhaus, 4.2/5.0/5.6 and 110 fromF	<a href="#">705570</a>	48,55 €	35	eng.-no		
44	Valve collet, 1 half, '67-> (from 250)	<a href="#">205035</a>	0,65 €	45	Example with M110.990: Manual	<a href="#">705094</a>	10,33 €
45	Shim 280SL FN 2.5mm	<a href="#">205049</a>	33,62 €	45	from M ... 001460 Autom. from M		
46	Rocker M110 FEBI	<a href="#">705030</a>	23,49 €	48	Shim 280SL FN 3.5mm	<a href="#">205048</a>	32,00 €
52	Chainguide, M110, short, plastic, see pict	<a href="#">705029</a>	9,76 €	55	Shim 280SL late, 4.5mm = standard	<a href="#">205047</a>	32,94 €
56	Pin	<a href="#">705804</a>	13,76 €	57	Ball bolt, threaded M110, reproduction	<a href="#">705839</a>	55,10 €
58	Pin for chain guide, L 48,5mm	<a href="#">105830</a>	12,25 €	59	alu seal ring M12, eg.eng.block @ chain	<a href="#">298712</a>	0,13 €
61	Guide rail pin 58mm	<a href="#">105805</a>	15,35 €	70	Seal ring f. bolt 705004	<a href="#">705005</a>	0,68 €
					pin	<a href="#">705806</a>	20,00 €
					Chain tensioner M110	<a href="#">705140</a>	57,66 €

## 01-05, 18, .. Engine M116/M117, Mechanic

### 01.b, 03, 05 Motor M116/M117

01.b, 03, 05 Motor M116/M117



tensioner chain tensioner 3.5 and 4.5, cars w/o smog pump	<a href="#">705130</a>	139,49 €	shim	Washer 6,4 x 11 zinc plated	<a href="#">799914</a>	0,12 €
tens2 Chain tensioner, M116/117 .96x (Alloy-V8)	<a href="#">705831</a>	47,60 €		Rocker arm, all V8 116+117	<a href="#">705841</a>	17,85 €
rail Chain guide rail upper, 3.5/3.8/4.2 new	<a href="#">705325</a>	4,11 €	tens2	chain tensioner M117.98x late US, cars w.smog pump	<a href="#">705133</a>	160,28 €
Oil pan gasket, V8 with steel pan, ELRING	<a href="#">701401</a>	30,76 €	tens2	Chain tensioner, M116/117 .96x (Alloy-V8), FEBI	<a href="#">705131</a>	99,21 €
oil pan gasket, V8 with steel pan	<a href="#">701418</a>	15,14 €	o.a.	Gasket per exh-channel V8 up to 4.5	<a href="#">714390</a>	3,55 €
Piston 92.50mm M116.984	<a href="#">703322</a>	168,34 €	o.a.	spring bushing, e.g. intake seal fixture	<a href="#">714359</a>	0,69 €
In hex cyl bolt 12.9, M10x50	<a href="#">705103</a>	1,82 €		washer, cyl bolts	<a href="#">701022</a>	2,08 €
1 Gkt.set, cyl.head 500late/560 Rt.	<a href="#">702561</a>	109,55 €	1	Gasket set cyl.head 350SL/SLC left	<a href="#">702850</a>	94,27 €
1 Gasket intake/head RH FN 117.985 US	<a href="#">714342</a>	7,88 €	1	Gasket set cyl.head 350SL/SLC right	<a href="#">702860</a>	101,53 €
1 Gasket, inlet plenum -> head L or R .98	<a href="#">714352</a>	8,66 €	1	Gasket intake/head LH FN 117.985 US	<a href="#">714341</a>	10,07 €
1 M117.960 & M117.961 Engine Right Head Gasket Set	<a href="#">702560</a>	132,69 €	1	Gkt.set, cyl.head 500late/560 lt.	<a href="#">702551</a>	111,48 €
1 M117.960 & M117.961 Engine Left Head Gasket Set	<a href="#">702550</a>	135,92 €	1	Head gasket set 116/7.984/5/6 Euro LH	<a href="#">702450</a>	96,04 €
1 Gkt. set, cyl. head 380SL RH from FN	<a href="#">702362</a>	106,66 €	1	Gkt.set,cyl head 380SL/C FN Rt	<a href="#">702361</a>	64,28 €
1 Gkt.set,cyl.head350SL/SLC Rt.	<a href="#">702360</a>	98,59 €	1	Gkt. set, cyl. head 380 LH. late FN	<a href="#">702352</a>	111,93 €
1 Gkt.set,cyl.head 380SL/C Lt up to FN LT	<a href="#">702351</a>	71,29 €	1	Gkt.set,cyl.head 350SL/SLC lft	<a href="#">702350</a>	94,51 €
1 Head gasket set 116/7.984/5/6	<a href="#">702460</a>	109,86 €	10	Gasket, chain tensioner V8 3.5, ..	<a href="#">705134</a>	2,14 €



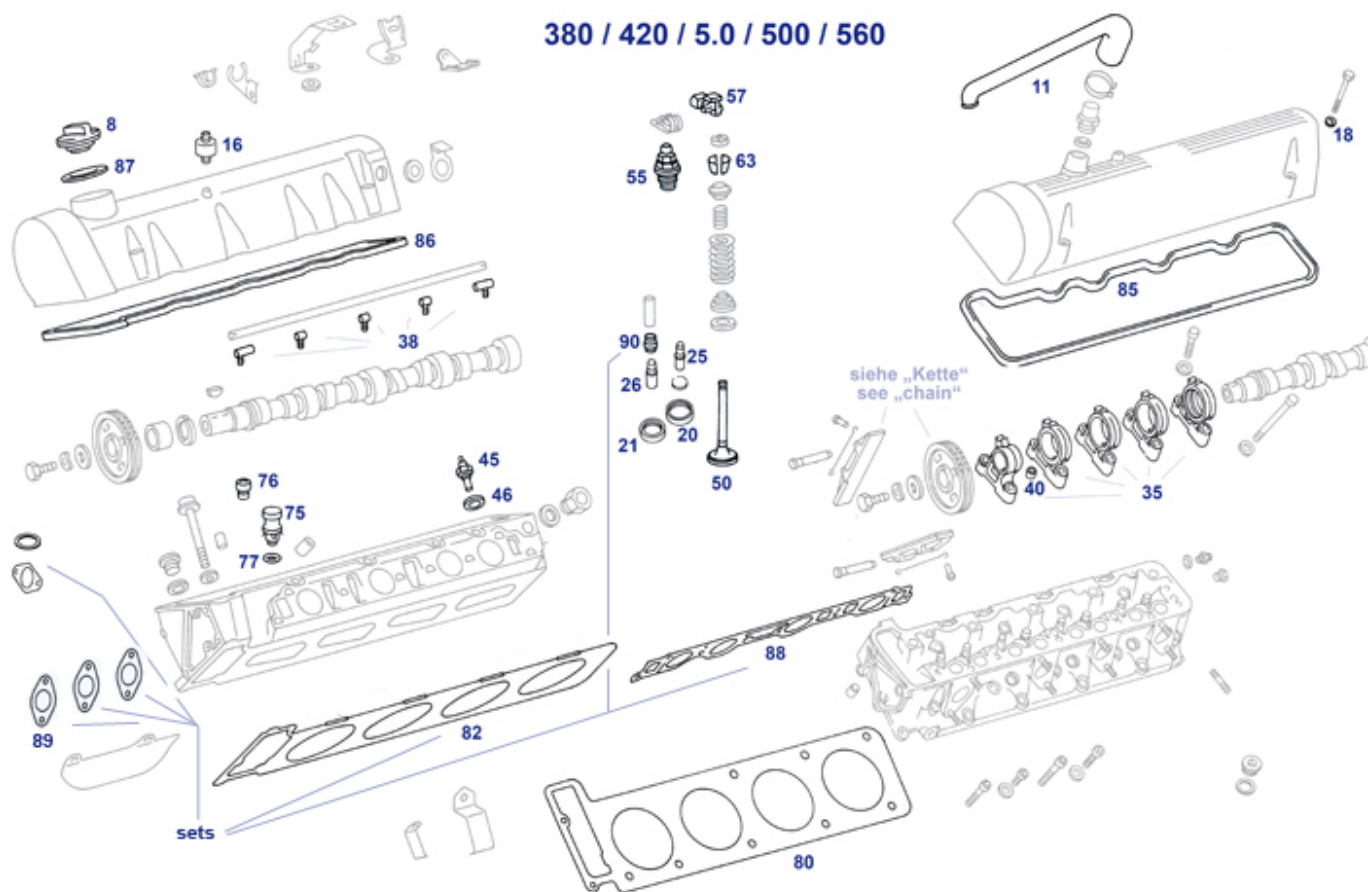


8m	Oil filler cap,	<a href="#">250802</a>	10,95 €	8m	Oil filler cap, metal/snap-on	<a href="#">250702</a>	12,85 €
8p	Oil filler cap,plastic/snap on	<a href="#">250102</a>	3,74 €	11	Moulded hose, crankcase vent	<a href="#">709305</a>	11,16 €
11	vent hose LH, 117.985,..	<a href="#">709507</a>	16,01 €	11	116-D-Jet		
25	Ventilführung E.Rep.-Maß	<a href="#">705362</a>	13,11 €	11	breather hose to air distributor, 450	<a href="#">709407</a>	13,90 €
25	14,20mm				D-Jet		
25	Ventilführung E.Rep.-Maß	<a href="#">705363</a>	10,48 €	25	Valve guide inlet	<a href="#">705361</a>	9,98 €
26	14,40mm				M116.982..14,04mm		
26	Valve guide outlet	<a href="#">705371</a>	10,98 €	26	Ventilführung A.Rep.-Maß	<a href="#">705373</a>	10,98 €
33	M116.982..15,02mm				15,40mm		
33	A6219910467 Woodruff key, 4° cs.	<a href="#">205078</a>	13,99 €	32	Spacer 2.7 mm behind camshaft	<a href="#">205818</a>	17,50 €
38	connectors, 1bench, fits M116/117	<a href="#">705042</a>	6,56 €	33	sprocket		
50	with 8mm steel oil pipe			33	woodruff key, standard, 4mm	<a href="#">205077</a>	1,00 €
50	Inlet Valve 3.5 / 3.8 only.960 / 4.2	<a href="#">705330</a>	27,31 €	40	cylindrical bolt 8 x 12, cam stands,	<a href="#">299917</a>	0,69 €
55	Rocker arm bolt V8 early (non	<a href="#">705838</a>	60,08 €	51	crank frt		
57	hydro lifter)				Valve, Exhaust, 2.8 / 3.5 up to	<a href="#">705270</a>	70,00 €
57	Rocker arm, all V8 116+117	<a href="#">705841</a>	17,85 €	55	eng.-no		
60	Shim 280SL late, 4.5mm =	<a href="#">205047</a>	32,94 €	55	Hydro rocker adjuster M116/M117	<a href="#">705045</a>	39,58 €
60	standard				from..		
60	Shim 280SL FN 2.5mm	<a href="#">205049</a>	33,62 €	57	Rest: Rocker arm, all V8 116+117,	<a href="#">705040</a>	43,89 €
70	Gasket set cyl.head 350SL/SLC left	<a href="#">702850</a>	94,27 €	60	FEBI		
70	Head gasket set 116/7.984/5/6	<a href="#">702450</a>	96,04 €	60	Shim 280SL FN 3.5mm	<a href="#">205048</a>	32,00 €
70	Euro LH			63	Valve collet, 1 half, '67-> (from 250)	<a href="#">205035</a>	0,65 €
70	Gkt.set,cyl.head350SL/SLC Rt.	<a href="#">702360</a>	98,59 €	70	Gasket set cyl.head 350SL/SLC	<a href="#">702860</a>	101,53 €
75	Pin, guide rails length over all 47,5	<a href="#">705807</a>	9,88 €	70	right		
76	Seal ring 14mm copper	<a href="#">207886</a>	1,08 €	70	Head gasket set 116/7.984/5/6	<a href="#">702460</a>	109,86 €
78	Sender unit, coolant temp.gauge	<a href="#">754097</a>	6,66 €	70	Euro RH		
79	Gasket, chain tensioner 4.5 US	<a href="#">705137</a>	2,58 €	70	Gkt.set,cyl.head 350SL/SLC lft	<a href="#">702350</a>	94,51 €
82	Gasket, cyl head rt, 3.5 / 4.5	<a href="#">701360</a>	58,00 €	76	Seal ring 14mm Alu	<a href="#">207186</a>	1,08 €
82	Seal ring 10x13,5, copper, e.g.	<a href="#">142039</a>	0,18 €	77	Gewindestutzen zB Messkapillare	<a href="#">120037</a>	27,20 €
84	wheel cyl, ..				in Kopf		
84	Bolt M6 valve covers 350/450	<a href="#">701359</a>	0,82 €	79	Gasket, chain tensioner V8 3.5, ..	<a href="#">705134</a>	2,14 €
85	Seal, rocker box, V8, lt., brand	<a href="#">701310</a>	5,21 €	80	Gasket, cyl head lt, 3.5 / 4.5	<a href="#">701350</a>	68,38 €
85	FEBI			82	Seal ring 10x13,5, Alu, e.g. sender,	<a href="#">227023</a>	0,50 €
86	Gasket, V8 head cover RH, brand	<a href="#">701328</a>	10,45 €	82	hollow bolts		
87old	Sealing ring, oil cap (metal screw	<a href="#">101055</a>	4,30 €	83	Alu ring 22mm	<a href="#">199924</a>	0,60 €
87	on cap)			85	Gasket V8 head cover LH, brand	<a href="#">701318</a>	8,40 €
87	Seal, oil filler cap	<a href="#">701355</a>	1,09 €	85	DPH		
88	Gasket, inlet plenum -> head L or R	<a href="#">714352</a>	8,66 €	85	Copper ring M6, filled	<a href="#">899305</a>	0,83 €
88	.98			86	Seal, rocker box, V8, rt., brand	<a href="#">701320</a>	5,21 €
89	Gasket per exh-channel V8 up to	<a href="#">714390</a>	3,55 €	86	FEBI		
90	4.5			87	Seal ring, fits plastic oil filler caps,	<a href="#">701356</a>	1,87 €
90	Seal to 705361	<a href="#">705998</a>	0,58 €	87	47 x 59 x 2,5		
95	In hex cyl bolt 12.9, M10x80	<a href="#">701113</a>	2,67 €	88	Gasket intake/head RH FN 117.985	<a href="#">714342</a>	7,88 €
95	washer, cyl bolts	<a href="#">701022</a>	2,08 €	88	US		
97	In hex cyl bolt 12.9, M10x155	<a href="#">701135</a>	9,16 €	88	Gasket intake/head LH FN 117.985	<a href="#">714341</a>	10,07 €
98	Exh-manif bolt M8 x 46 e.g. M103	<a href="#">714996</a>	2,21 €	90	US		
98	stud M8 X 90 e.g. exhaust manifold	<a href="#">714994</a>	1,31 €	90	Valve stem seals per head, 3.5 +	<a href="#">705091</a>	24,55 €
				94	4.5 en		
				94	spring bushing, e.g. intake seal	<a href="#">714359</a>	0,69 €
				95	fixature		
				95	In hex cyl bolt 12.9, M10x55	<a href="#">701103</a>	1,84 €
				96	In hex cyl bolt 12.9, M10x50	<a href="#">705103</a>	1,82 €
				98	Nut M8, copper, hex 13	<a href="#">714008</a>	2,30 €
				98	exh-manif. bolt M8x42 eg M117 US	<a href="#">714995</a>	1,65 €
				98	FN		
				98	Nut M8, copper, hex 12	<a href="#">514008</a>	1,90 €

## 01.d, 05 Cylinder heads 380/420/500/560

01.d, 05 Cylinder heads 380/420/500/560

## 380 / 420 / 5.0 / 500 / 560

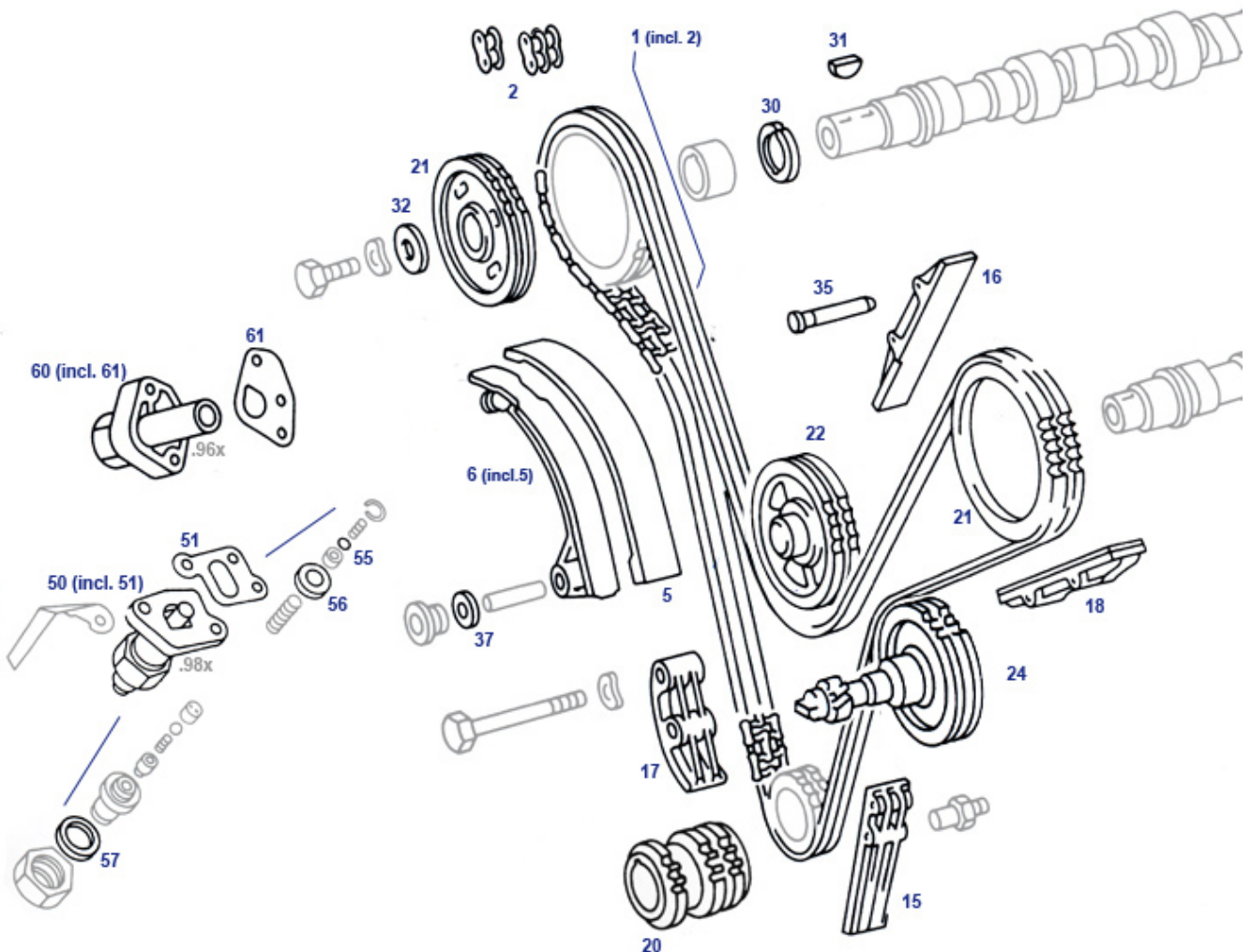


sets	Gkt. set, cyl. head 420SL Rt.	<a href="#">702761</a>	123,90 €	exhbolts	stud M8 X 25 for manifold	<a href="#">714993</a>	3,05 €
sets	M117.960 & M117.961 Engine Right Head Gasket Set	<a href="#">702560</a>	132,69 €		Kit, timing chain 5.0 "Duplex"	<a href="#">705500</a>	310,04 €
bolts	washer, cyl bolts	<a href="#">701022</a>	2,08 €		Gasket per exh-channel V8 from 5.0	<a href="#">714491</a>	4,76 €
sets	Gkt.set, cyl.head 500late/560 Rt.	<a href="#">702561</a>	109,55 €		woodruff key, standard, 4mm	<a href="#">205077</a>	1,00 €
sets	Gkt. set, cyl. head 420SL Lt.	<a href="#">702751</a>	135,62 €	sets	M117.960 & M117.961 Engine Left Head Gasket Set	<a href="#">702550</a>	135,92 €
headbolts	In hex cyl bolt 12.9, M10x165	<a href="#">701165</a>	16,66 €	headbolts	In hex cyl bolt 12.9, M10x90	<a href="#">701115</a>	4,05 €
headbolts	In hex cyl bolt 12.9, M10x65	<a href="#">701105</a>	3,05 €	cam	Camshaft 3.8L   M116.962 EURO A6219910467 Woodruff key, 4° cs.	<a href="#">705317</a>	800,00 €
cam	Camshaft 3.8L M116.962 EURO	<a href="#">705318</a>	800,00 €	8	Oil filler cap,plastic/snap on	<a href="#">250102</a>	3,74 €
sets	Gkt.set, cyl.head 500late/560 lt.	<a href="#">702551</a>	111,48 €	16	Rubber mount, e.g. Fuel pump, Air box	<a href="#">247828</a>	1,56 €
11	vent hose LH, 117.985,..	<a href="#">709507</a>	16,01 €	25	Valve guide inlet M116.982..14,04mm	<a href="#">705361</a>	9,98 €
18	Copper ring M6, filled	<a href="#">899305</a>	0,83 €	25	Ventilführung E.Rep.-Maß 14,20mm	<a href="#">705362</a>	13,11 €
25	Ventilführung E.Rep.-Maß 14,40mm	<a href="#">705363</a>	10,48 €	26	Valve guide Exh rep1 = 15,20mm	<a href="#">705382</a>	17,60 €
26	Valve guide Exh rep2 = 15,40mm	<a href="#">705383</a>	17,60 €	38	connectors 1bench, fits M116/117 with 10mm oil pipe	<a href="#">705043</a>	4,26 €
26	Valve Guide OUT, 15.034	<a href="#">705381</a>	5,71 €	45	Sender unit, coolant temp.gauge	<a href="#">754097</a>	6,66 €
39	Camshaft oiler tube, late V8 (aluminum)	<a href="#">705143</a>	40,58 €	50	Inlet Valve 3.5 / 3.8 only.960 / 4.2	<a href="#">705330</a>	27,31 €
46	Seal ring 14mm Alu	<a href="#">207186</a>	1,08 €	50	Valve, inlet, e.g. 117.967,.. FN	<a href="#">705450</a>	32,59 €
50	Valve,Exhaus, 4.2/5.0/5.6 and 110 fromF	<a href="#">705570</a>	48,55 €	57	Rocker arm, all V8 116+117	<a href="#">705841</a>	17,85 €
55	Hydro rocker adjuster M116/M117 from..	<a href="#">705045</a>	39,58 €	63	Valve collet, 1 half, '67-> (from 250)	<a href="#">205035</a>	0,65 €
57	Rest: Rocker arm, all V8 116+117, FEBI	<a href="#">705040</a>	43,89 €	77	Seal ring injector support->head V8 K-Jet	<a href="#">707424</a>	1,32 €
76	Rubber, K-Jet, 110.986/990,116/7.960-EU	<a href="#">707219</a>	1,82 €	80	Cyl.-head gasket LH, 380SL/C ELRING	<a href="#">701370</a>	43,73 €
80	Head gasket LH 116.96X FN	<a href="#">701371</a>	51,72 €	80	Gkt.set,cyl.head 380SL/C Lt up to	<a href="#">702351</a>	71,29 €
80	Head gasket LH, M117.96X, eng	<a href="#">701490</a>	45,67 €				

	data req.								
80	Gkt. set, cyl. head 380 LH. late FN	<a href="#">702352</a>	111,93 €	82	FN LT				
					Head gasket RH, M117.96X, eng	<a href="#">701500</a>	43,02 €		
82	Gkt.set,cyl head 380SL/C FN Rt	<a href="#">702361</a>	64,28 €	82	data req.				
					Gkt. set, cyl. head 380SL RH from	<a href="#">702362</a>	106,66 €		
82	Cyl.-head gasket RH, 380SL/C	<a href="#">701380</a>	42,86 €	85	FN				
	ELRING				Seal, rocker box, V8, lt., brand	<a href="#">701310</a>	5,21 €		
85	Gasket V8 head cover LH, brand	<a href="#">701318</a>	8,40 €	86	FEBI				
	DPH				Seal, rocker box, V8, rt., brand	<a href="#">701320</a>	5,21 €		
86	Gasket, V8 head cover RH, brand	<a href="#">701328</a>	10,45 €	87	FEBI				
	DPH				Seal, oil filler cap	<a href="#">701355</a>	1,09 €		
87	Seal ring, fits plastic oil filler caps,	<a href="#">701356</a>	1,87 €	88	Gasket RH, inlet->head	<a href="#">714451</a>	10,44 €		
	47 x 59 x 2,5				3.8/4.2/5.0/5,6				
88	Gasket intake/head RH FN 117.985	<a href="#">714342</a>	7,88 €	88	Gasket left side, inlet->head	<a href="#">714452</a>	10,02 €		
	US				3.8/4.2/5.0/5,6				
88	Gasket intake/head LH FN 117.985	<a href="#">714341</a>	10,07 €	89	Gasket per exh-channel V8 from	<a href="#">714490</a>	4,94 €		
	US				5.0				
89	Gasket per exh-channel V8 up to	<a href="#">714390</a>	3,55 €	90	Rep.-Kit valve seals e.g.117.962	<a href="#">705095</a>	7,82 €		
	4.5				FN 2re				

## 05 Timing Chain drive M116/M117

05 Timing Chain drive M116/M117



	O-ring water channel, V8 betw. frt	<a href="#">701224</a>	1,25 €		Bush, timing, rear	<a href="#">205027</a>	7,90 €		
	cover&block								
	Chain guide RH lower, 3.5 / 4.5	<a href="#">705820</a>	85,98 €	1	Kit, timing chain 3.8 "Duplex"	<a href="#">705385</a>	214,62 €		
1	Kit, timing chain 5.0 "Duplex"	<a href="#">705500</a>	310,04 €	1	timing chain M116 3.8 US early	<a href="#">799015</a>	64,90 €		
					(single row)				

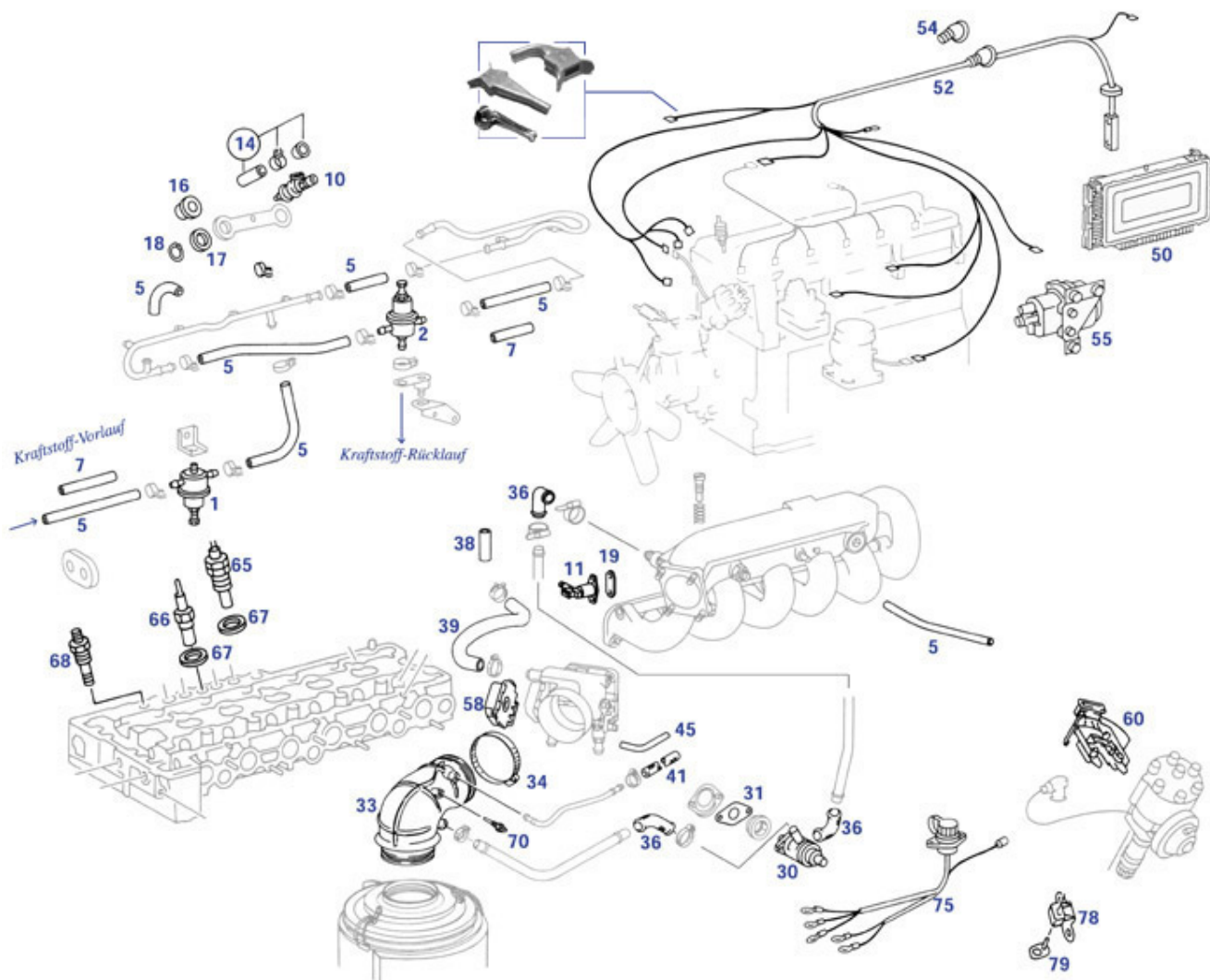


1	Duplex chain M117 198 links	<a href="#">799014</a>	101,63 €	1	Duplex chain M116 186 links	<a href="#">799013</a>	77,77 €
2	MasterLink Duplex chain (content of chain)	<a href="#">199013</a>	2,55 €	2	Master Link, Single Chains (Cam/Pump..)	<a href="#">799038</a>	1,81 €
5	Pad, fits tensioner rail M117 FN !	<a href="#">705427</a>	4,76 €	6	Rail, fits chain tensioner 3.8/4.2 eng.	<a href="#">705329</a>	20,53 €
15	Rail lower LH, all Alu-V8	<a href="#">705426</a>	6,06 €	15	chain rail lower LH, 350/450, INFO !	<a href="#">705326</a>	21,42 €
17	Rail lower RH (curved) Alu-V8	<a href="#">705420</a>	10,36 €	18	Sliding rail top ins. 4.5/5.0 (2 pcs for 1 car)	<a href="#">705424</a>	4,45 €
18	Chain guide rail upper, 3.5/3.8/4.2 new	<a href="#">705325</a>	4,11 €	18	pin for rails, e.g. upper alloy rails V8	<a href="#">705813</a>	16,26 €
18	Sliding rail top lt. 4.5/5.0	<a href="#">705425</a>	3,63 €	20	Crankshaft sprocket, M116-119 div	<a href="#">703411</a>	103,83 €
20	C/S frt seal ring, collar 360°,M127+others, picture	<a href="#">303946</a>	9,38 €	21	Cam wheel V8 L or R, fits Duplex chain	<a href="#">705302</a>	31,55 €
31	woodruff key, standard, 4mm	<a href="#">205077</a>	1,00 €	31	A6219910467 Woodruff key, 4° cs.	<a href="#">205078</a>	13,99 €
32	Shim, camshaft sprocket	<a href="#">105021</a>	3,93 €	35	Pin, guide rails length over all 47,5	<a href="#">705807</a>	9,88 €
36	pin, lower rails, version w.shaft 11mm	<a href="#">705614</a>	16,26 €	36	pin, guide rails, lower left, at alloy V8 engines	<a href="#">705814</a>	14,39 €
37	Seal ring 14mm Alu	<a href="#">207186</a>	1,08 €	50	chain tensioner 3.5 and 4.5, cars w/o smog pump	<a href="#">705130</a>	139,49 €
51	Gasket, chain tensioner 4.5 US	<a href="#">705137</a>	2,58 €	51	Gasket, chain tensioner V8 3.5, ..	<a href="#">705134</a>	2,14 €
55	O-ring chain tensioner inner	<a href="#">705147</a>	0,89 €	60	Chain tensioner, M116/117 .96x (Alloy-V8), FEBI	<a href="#">705131</a>	99,21 €
61	Gasket chain tensioner, fits Alu-V8	<a href="#">705135</a>	5,46 €	97	O-ring, eng. housg	<a href="#">218412</a>	0,55 €

## 07.a-b D-Jetronic EFI Components

### 07.a D-Jet EFI components 280SL/SLC

07.a D-Jet EFI components 280SL/SLC

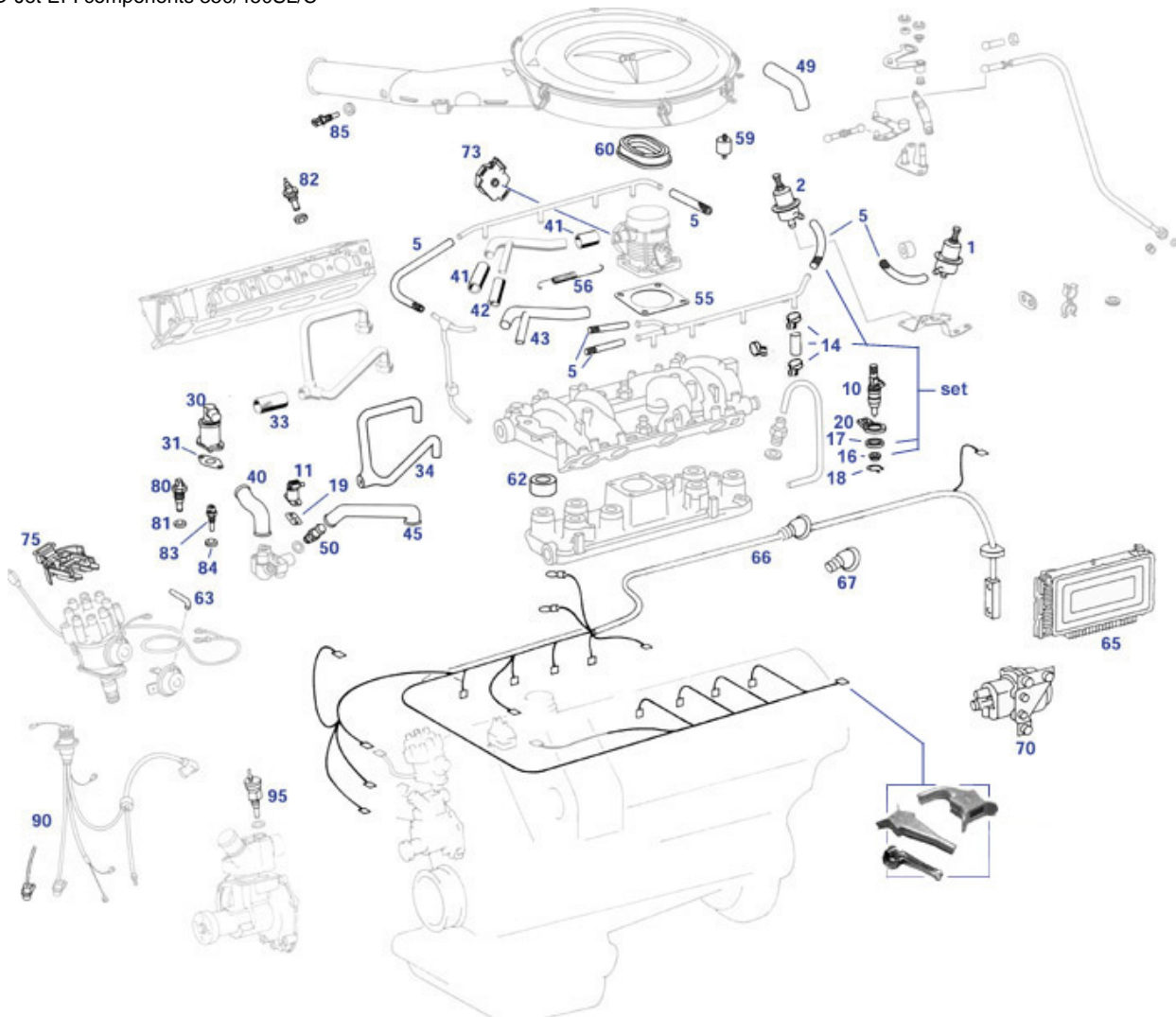


	Seal ring 14mm Alu	<a href="#">207186</a>	1,08 €	bits	Gummikappe, El.Anschluss zB Warmlauf.	<a href="#">754170</a>	9,92 €
	Lower Fuel Injector Seal Guide "D-Jet"	<a href="#">707616</a>	1,25 €	bits	set 24/25-pole terminal components, D-Jet-Ecu	<a href="#">754845</a>	109,24 €
	Rubber boot el.switch+sensor 2-Pole, bent shape	<a href="#">754851</a>	14,57 €		Set D-Jet "250" connectors and caps	<a href="#">554833</a>	148,69 €
bits	Set D-Jet "280" connectors and caps	<a href="#">754833</a>	148,69 €	bits	A0035452626 Solder bushing 4mm, connect	<a href="#">854055</a>	0,58 €
	contact pin 4mm brass silver plated	<a href="#">754956</a>	0,54 €	bits	Set 9 pcs rubber boots D-Jet wiring 6-C	<a href="#">754830</a>	87,39 €
	connector plastic insert 4-pole	<a href="#">754374</a>	6,68 €	bits	connector plastic insert 2-pole	<a href="#">754372</a>	1,82 €
bits	Gummikappe für 5-Pol-Stecker, zB bei "Gebiss" D-Jet	<a href="#">754355</a>	13,35 €	bits	Rubber cap for 2 pole connector	<a href="#">754352</a>	16,99 €
bits	Small crimp shoe, e.g. engine harness	<a href="#">754188</a>	0,18 €	bits	rubber cap 4 pole connector	<a href="#">754354</a>	29,99 €
	Spring, throttle flap D-Jet M116,117,110	<a href="#">730017</a>	6,31 €	nopic	Rubber buffer e.g. air filter housing	<a href="#">709406</a>	3,99 €
bits	Rubber Boot on to Thermoswitch	<a href="#">254125</a>	9,39 €	5	1m Fuel hose tank->pump 11/17mm, fabric	<a href="#">247005</a>	10,41 €
5	1m. Fuel hose 7,5x13,0 flat surface	<a href="#">247007</a>	8,50 €	7	A0119972882 Protective sleeve, 1m	<a href="#">799912</a>	18,45 €
10	Filter strainer insert, fits D-Jet injectors Bosch	<a href="#">707109</a>	4,70 €	14	Hose clamp 13mm	<a href="#">747997</a>	1,99 €
16	green cap, injector	<a href="#">707217</a>	3,03 €	17	rubber ring, D-Jet valve holddown	<a href="#">707815</a>	1,64 €

18	retaining rings for shafts 24 X 1,2	<a href="#">707419</a>	0,46 €	19	Gasket, start valve,air distributor	<a href="#">707709</a>	0,60 €
19	Gasket, start valve,air distributor	<a href="#">707209</a>	0,76 €	21	Bracket, injector hold down, M110 D-Jet	<a href="#">707208</a>	10,59 €
23	Spring, die air adjuster bolts	<a href="#">214017</a>	17,50 €	31	Gasket, cold start air valve	<a href="#">720090</a>	4,20 €
31	Gasket, cold start air valve	<a href="#">720890</a>	3,11 €	33	Air duct 280SL/C D-Jet	<a href="#">709601</a>	89,25 €
34	Hose Clamp 80-100mm, fits air hose	<a href="#">709204</a>	1,32 €	45	Pipe, vacuum, per mtr.	<a href="#">715027</a>	5,12 €
45	Vacuum pipe, 2/4mm,per mtr	<a href="#">215027</a>	1,82 €	52	Wiring loom D-Jet 280SL/C LHD	<a href="#">754757</a>	624,99 €
54	Grommet, angled, 18/25mm oval	<a href="#">798765</a>	9,97 €	58	Circuit board, fits throttle switch D-J	<a href="#">754345</a>	97,10 €
60	1-2-3 distributor, fits 2.8 D-Jet, NOT M110	<a href="#">715801</a>	376,99 €	60	used part required: overhaul D-Jet pointers R6	<a href="#">715279</a>	298,99 €
66	Sender unit, coolant temp.gauge	<a href="#">754097</a>	6,66 €	67	see 207115 Copper shim	<a href="#">799309</a>	1,06 €
68	Temp. sender , not usable replacement	<a href="#">754396</a>	27,27 €	75	A1075405308 Wiring harness/loom diagnos	<a href="#">754685</a>	235,00 €

## 07.b D-Jet EFI components 350/450SL/C

07.b D-Jet EFI components 350/450SL/C



bits	Rubber cap for 2 pole connector	<a href="#">754352</a>	16,99 €	bits	locking shim, acc link mounts	<a href="#">707277</a>	1,36 €
bits	A0035452626 Solder bushing 4mm, connect	<a href="#">854055</a>	0,58 €	bits	Rubber cap, ECU-unit connector	<a href="#">854359</a>	69,91 €
bits	connector plastic insert 4-pole	<a href="#">754374</a>	6,68 €	linkage	Spring, acc turn shaft	<a href="#">730028</a>	3,68 €
bits	connector plastic insert 2-pole	<a href="#">754372</a>	1,82 €	bits	Gummikappe für 5-Pol-Stecker, zB bei"Gebiss" D-Jet	<a href="#">754355</a>	13,35 €
bits	Set D-Jet "450" connectors and caps	<a href="#">754835</a>	151,73 €	bits	Engine wiring kit 350SL D-Jet 1st Gen LHD	<a href="#">754751</a>	999,99 €
bits	Set D-Jet "350" connectors and caps	<a href="#">754834</a>	145,66 €	bits	Rubber Boot on to Thermoswitch	<a href="#">254125</a>	9,39 €

bits	Rubber boot el.switch+sensor 2-Pole, bent shape	<a href="#">754851</a>	14,57 €	bits	rubber cap 4 pole connector	<a href="#">754354</a>	29,99 €
bits	set 24/25-pole terminal components, D-Jet-Ecu	<a href="#">754845</a>	109,24 €	bits	Small crimp shoe, e.g. engine harness	<a href="#">754188</a>	0,18 €
bits	Gummikappe, El.Anschluss zB Warmlaufg.	<a href="#">754170</a>	9,92 €	bits	contact pin 4mm brass silver plated	<a href="#">754956</a>	0,54 €
5	Hose clamp 13mm	<a href="#">747997</a>	1,99 €	5	Connector for fuel hose, L-shape, 8mm	<a href="#">747014</a>	0,88 €
5	1m. Fuel hose 7,5x13,0 flat surface	<a href="#">247007</a>	8,50 €	10	Filter strainer insert, fits D-Jet injectors Bosch	<a href="#">707109</a>	4,70 €
16	O-ring for guide, late D-Jet injector, to 707328	<a href="#">707416</a>	2,13 €	16	Lower Fuel Injector Seal Guide "D- Jet"	<a href="#">707616</a>	1,25 €
17	rubber ring, D-Jet valve holddown	<a href="#">707815</a>	1,64 €	18	retaining rings for shafts 24 X 1,2	<a href="#">707419</a>	0,46 €
19	Gasket, start valve,air distributor	<a href="#">707709</a>	0,60 €	19	Gasket, start valve,air distributor	<a href="#">707209</a>	0,76 €
23	Spring, dle air adjuster bolts	<a href="#">214017</a>	17,50 €	31	Gasket, cold start air valve	<a href="#">720090</a>	4,20 €
31	Gasket, cold start air valve	<a href="#">720890</a>	3,11 €	33	Hose D-Jet V8 add. air	<a href="#">709309</a>	5,36 €
40	Air hose thermostat->air adjuster, V8-D-Jet	<a href="#">709304</a>	15,17 €	43	Rbr distributor hose, idle air, late D- Jet-V8	<a href="#">709302</a>	16,33 €
45	Moulded hose, crankcase vent 116-D-Jet	<a href="#">709305</a>	11,16 €	45	breather hose to air distributor, 450 D-Jet	<a href="#">709407</a>	13,90 €
55	Gasket, throttle flap housing	<a href="#">714012</a>	2,94 €	56	Spring, throttle flap D-Jet M116,117,110	<a href="#">730017</a>	6,31 €
59	Rubber mount, e.g. Fuel pump, Air box	<a href="#">247828</a>	1,56 €	59	rubber band, airfilter bracket	<a href="#">709390</a>	1,40 €
59	Rubber buffer, L40	<a href="#">709846</a>	6,69 €	60	seal ring airfilter @ throttle, V8 D- Jet	<a href="#">709408</a>	8,93 €
62	Rubber ring on manifold 8-cyl	<a href="#">714865</a>	5,43 €	63	Hose, low pressure	<a href="#">707183</a>	2,74 €
63	Vacuum pipe, 2/4mm,per mtr	<a href="#">215027</a>	1,82 €	63	Pipe, vacuum, per mtr.	<a href="#">715027</a>	5,12 €
66	Wiring kit engine D-Jet please add Data	<a href="#">754750</a>	1.200,00 €	66	Wiring harness/loom FN !!	<a href="#">754763</a>	999,99 €
66	Leitungssatz	<a href="#">754769</a>	1.299,00 €	66	Wiring harness/loom M117 early / FN !!	<a href="#">754760</a>	999,99 €
66	A1075404809	<a href="#">754765</a>	999,99 €	66	Engine wiring harness 3.5 D-Jet	<a href="#">754753</a>	999,99 €
66	Motorleitungssatz 3.5 D-Jet LHD FN	<a href="#">754759</a>	999,99 €	66	Engine Wire Set D-Jet 450SI 1st Gen.	<a href="#">754752</a>	999,99 €
66	A1075403609	<a href="#">754761</a>	879,99 €	66	D-Jet Leitungssatz M116 RHD FN	<a href="#">754762</a>	999,99 €
67	Grommet, angled, 18/25mm oval	<a href="#">798765</a>	9,97 €	73	Circuit board, fits throttle switch D-J	<a href="#">754345</a>	97,10 €
75	used part required: overhaul D-Jet pointers V8	<a href="#">715379</a>	499,99 €	75	F026T03035 Rep-Kit Jetronic pointers (V8 "D")	<a href="#">715309</a>	698,08 €
81	see 207115 Copper shim	<a href="#">799309</a>	1,06 €	82	Seal ring 14mm Alu	<a href="#">207186</a>	1,08 €
82	Sender unit, coolant temp.gauge	<a href="#">754097</a>	6,66 €	83	Temp. sender , not usable replacement	<a href="#">754396</a>	27,27 €
84	Seal ring 10x13,5, Alu, e.g. sender, hollow bolts	<a href="#">227023</a>	0,50 €	95	Temp.-switch 100° Celsius	<a href="#">207163</a>	23,80 €

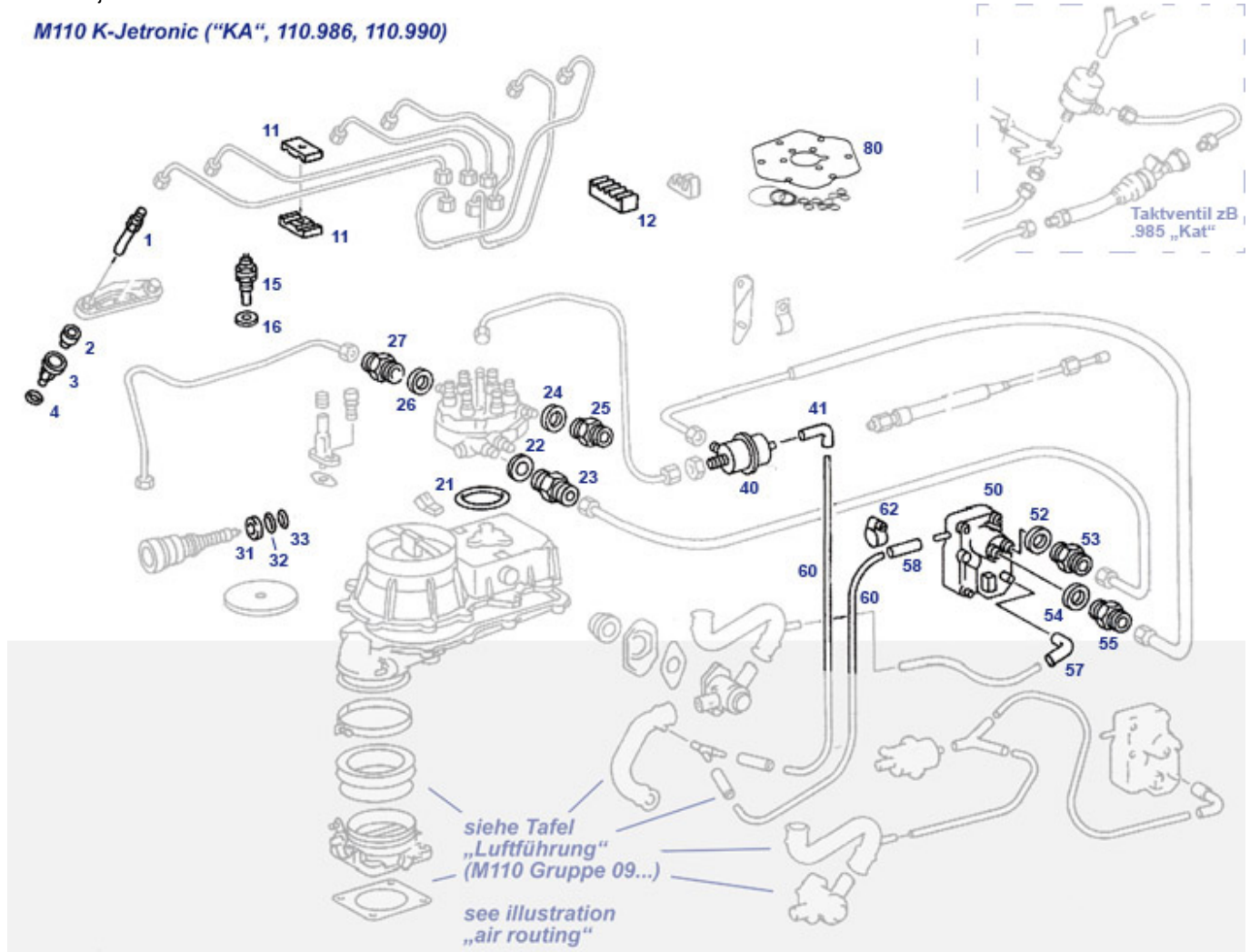


## 07.e-h K-Jet (CIS) Injection

### 07.e KA Injection 280SL/SLC

07.e KA Injection 280SL/SLC

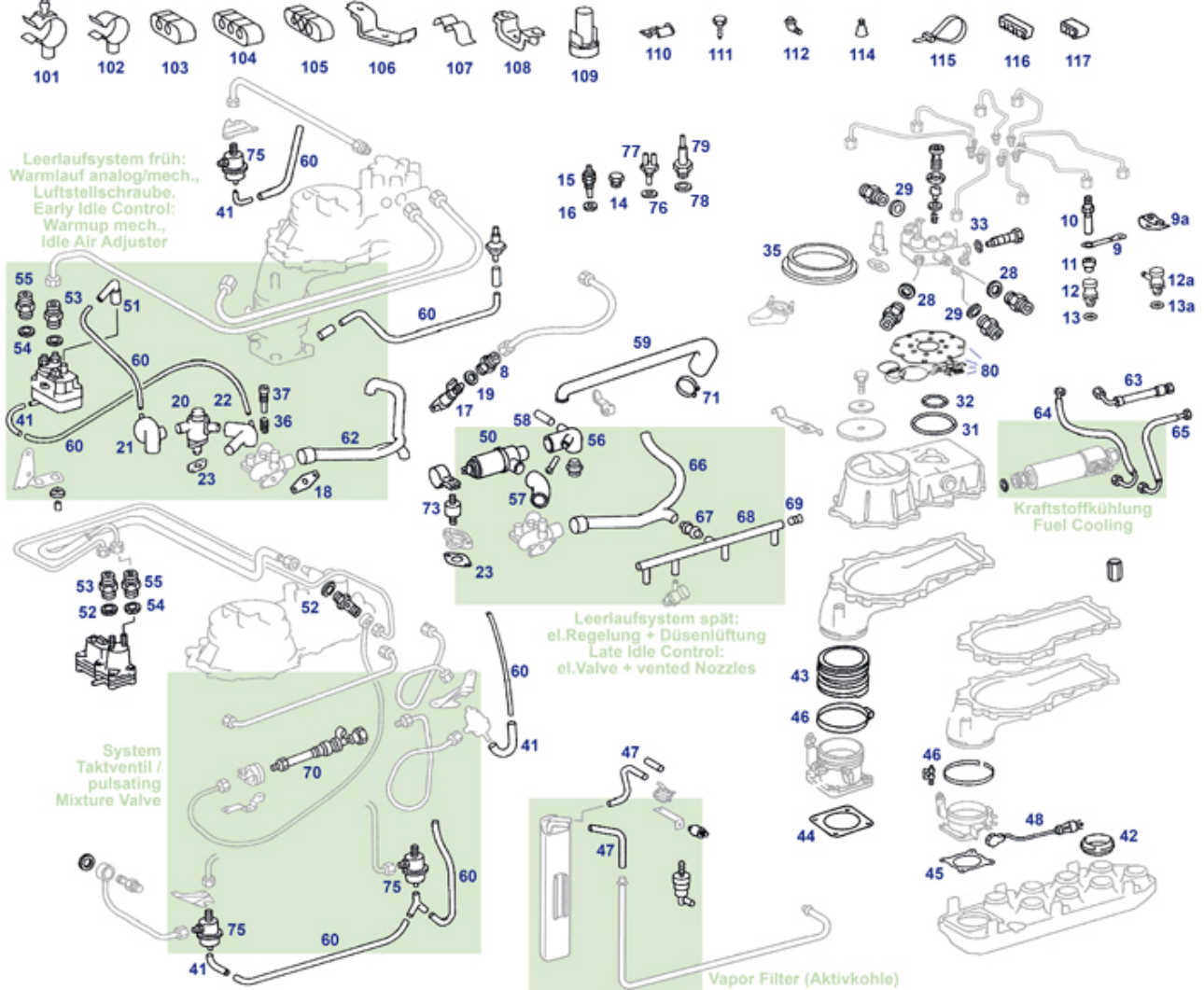
**M110 K-Jetronic ("KA", 110.986, 110.990)**



acc	Gasket, start valve,air distributor	<a href="#">707709</a>	0,60 €		Fitting, fuel, M8x1 M10x1, CIS	<a href="#">707489</a>	9,25 €
	Joint at acc linkage M110	<a href="#">730615</a>	2,48 €		Seal ring 10x13,5, Alu, e.g. sender, hollow bolts	<a href="#">227023</a>	0,50 €
	Rubber mount, e.g. Fuel pump, Air box	<a href="#">247828</a>	1,56 €		Sender unit, coolant temp.gauge	<a href="#">754097</a>	6,66 €
Kat	Idle air hose / distrib FN	<a href="#">709415</a>	41,00 €	1	Injector, K/KE (except V8-85->)	<a href="#">707105</a>	37,44 €
2	Rubber, K-Jet, 110.986/990,116/7.960-EU	<a href="#">707219</a>	1,82 €	4	Seal ring e.g. K-Jet injector M110	<a href="#">707215</a>	0,87 €
11	half clamp, metal, 2-lines-mount	<a href="#">207008</a>	7,59 €	16	Copper seal ring	<a href="#">207115</a>	0,18 €
21	Seal ring under K-jet control housing	<a href="#">707298</a>	0,81 €	22	Seal ring, sump plug	<a href="#">299303</a>	0,13 €
41	Hose, low pressure	<a href="#">707183</a>	2,74 €	50	Diaphragm kit, warmup regulator K-Jet	<a href="#">707161</a>	98,86 €
50	heater resistor coil 47 Ohm, K-Jet warm up regulator	<a href="#">707167</a>	40,28 €	50	heater resistor coil 32 Ohm, K-Jet warm up regulator	<a href="#">707166</a>	40,28 €
50	heater resistor coil 21 Ohm, K-Jet warm up regulator	<a href="#">707165</a>	40,28 €	50	Rep kit warm up regulator housing assembly	<a href="#">707164</a>	54,92 €
50	Diaphragm kit, set, warmup regulator K-Jet	<a href="#">707162</a>	241,66 €	54	Sealing ring ID8, eg. for hollow screw	<a href="#">220011</a>	0,10 €
58	Pipe, vacuum, per mtr.	<a href="#">715027</a>	5,12 €	60	Vacuum pipe, 2/4mm,per mtr	<a href="#">215027</a>	1,82 €
62	Hose clamp 13mm	<a href="#">747997</a>	1,99 €	80	Rep.-Satz Mengenteiler 280E/GE/CE Coupe 280 SL Roadster	<a href="#">707516</a>	203,92 €
80	Inj-Distr-Rep-Kit 280 Alloy-K-A	<a href="#">707507</a>	127,45 €	80	Inj-Distrib-Rep-Kit 280 "Iron casted"	<a href="#">707506</a>	164,15 €
80	Inj-Distr-Rep-Kit 280 Alloy-K-A	<a href="#">507807</a>	95,18 €	80	Inj-Distrib-Rep-Kit 280 "Iron casted"	<a href="#">707806</a>	95,18 €

## 07.f KA (K-U) Injection / Idle Air, V8 Engines

07.f KA (K-U) Injection / Idle Air, V8 Engines

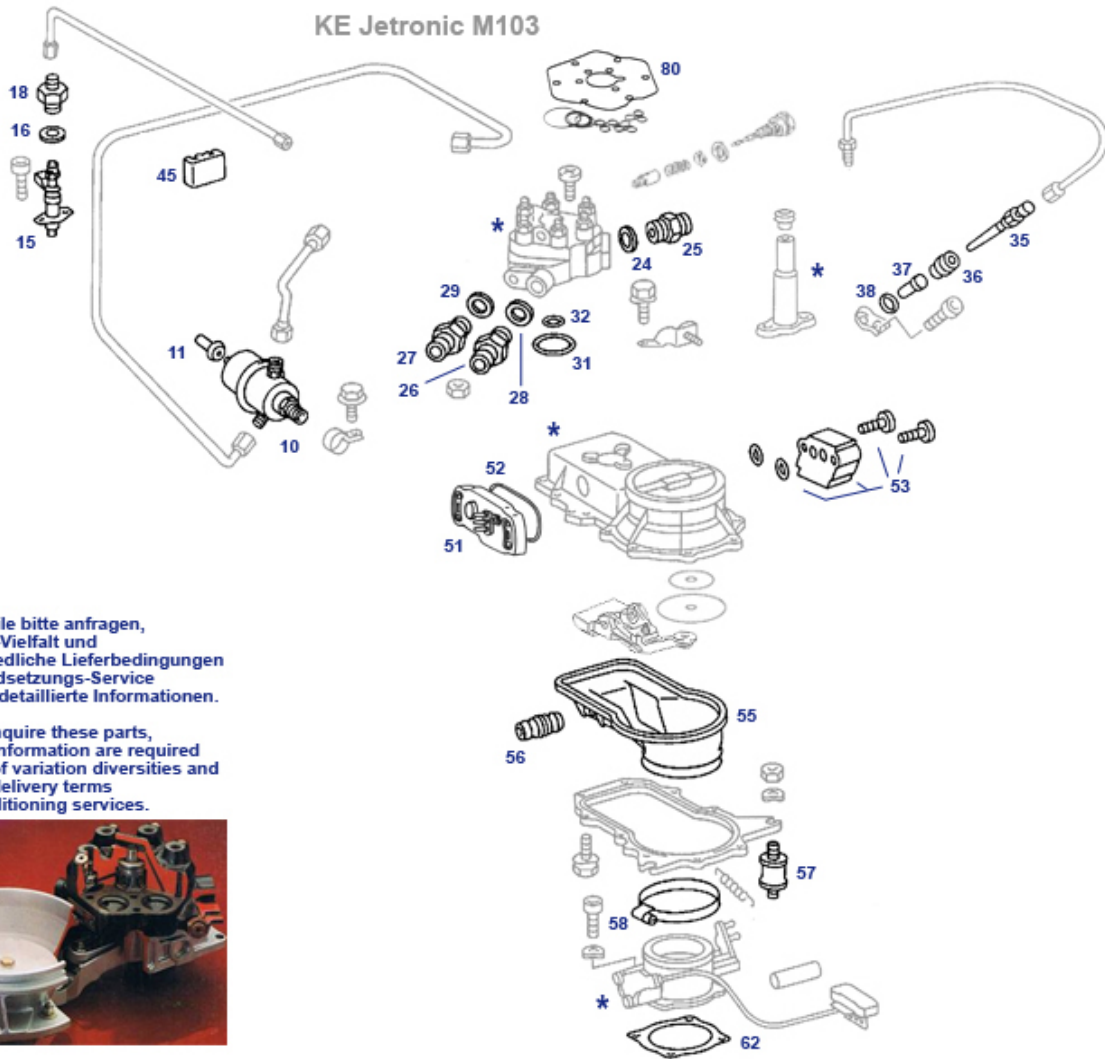


	Rubber seal / valve guide K-Jet div.	<a href="#">707715</a>	1,46 €		Y-connector for vacuum pipe	<a href="#">707780</a>	2,93 €
	X-connector for vacuum pipe	<a href="#">707881</a>	1,90 €		Fitting, fuel, M8x1 M10x1, CIS	<a href="#">707489</a>	9,25 €
	Spring, throttle flap, e.g. M117 K-Jet	<a href="#">730417</a>	12,14 €		Y-connector, unfinished: open channels as req.	<a href="#">707180</a>	4,01 €
10	Injector, K/KE (except V8-85->)	<a href="#">707105</a>	37,44 €	11	Rubber, K-Jet, 110.986/990,116/7.960-EU	<a href="#">707219</a>	1,82 €
13	Seal ring injector support->head V8 K-Jet	<a href="#">707424</a>	1,32 €	16	Drain plug screw M14 x 1,5 (rad. / eng,...)	<a href="#">250027</a>	2,70 €
18	Gasket, start valve,air distributor	<a href="#">707709</a>	0,60 €	18	Gasket, start valve,air distributor	<a href="#">707209</a>	0,76 €
21	spring clamp 22mm	<a href="#">997995</a>	2,32 €	21	hose at warmup unit 3.5 / 4.5	<a href="#">709308</a>	13,32 €
21	Formschlauch	<a href="#">709414</a>	11,90 €	22	hose, ref. 116 094 0282	<a href="#">709306</a>	9,98 €
23	Gasket, cold start air valve	<a href="#">720890</a>	3,11 €	23	Gasket, cold start air valve	<a href="#">720090</a>	4,20 €
28	Seal ring, sump plug	<a href="#">299303</a>	0,13 €	35	Seal, air filter housing to inj-body, div. V8	<a href="#">714025</a>	17,85 €
36	Spring, dle air adjuster bolts	<a href="#">214017</a>	17,50 €	37	Screw idle air adjuster, as genuine latest style	<a href="#">714316</a>	17,26 €
41	Pipe, vacuum, per mtr.	<a href="#">715027</a>	5,12 €	41	Vac hose, 'L'-connector, 3mm	<a href="#">707182</a>	3,87 €
41	Hose, low pressure	<a href="#">707183</a>	2,74 €	42	Rubber ring on manifold 8-cyl gasket, throttle body lower	<a href="#">714865</a>	5,43 €
44	Gasket, throttle flap hsg e.g. 4.5	<a href="#">714412</a>	5,05 €	45	1m metal strip, 9mm clamp	<a href="#">714013</a>	6,44 €
46	product replaced: Lock / winding clip for 9mm strap	<a href="#">109035</a>	2,09 €	46		<a href="#">109030</a>	4,00 €
47	1m. Fuel hose 7,5x13,0 flat surface	<a href="#">247007</a>	8,50 €	47	Vac connecting hose	<a href="#">707184</a>	4,17 €

47	1m fuel hose 7,5x12,5 fabric surface	<a href="#">247807</a>	7,13 €	50	Aux air valve 380USA - e.g. 116.962	<a href="#">707420</a>	299,99 €
51	Hose angle with reduction	<a href="#">707186</a>	5,12 €	52	Sealing ring ID8, eg. for hollow screw	<a href="#">220011</a>	0,10 €
54	Seal ring 10x13,5, copper, e.g. wheel cyl, ..	<a href="#">142039</a>	0,18 €	59	vent hose LH, 117.985,..	<a href="#">709507</a>	16,01 €
59	vent hose LH, 117.985,..	<a href="#">709807</a>	7,51 €	60	Vacuum pipe, 2/4mm,per mtr	<a href="#">215027</a>	1,82 €
60	1m Vac line PA, black, 4x6 (=6x1)	<a href="#">747175</a>	0,62 €	62	Hose, idle air distributor eg 117.960, ..	<a href="#">707409</a>	24,99 €
65	Fuel hose, return, 8-Cyl. EUR ->85	<a href="#">747041</a>	105,55 €	66	Idle air hose / distrib FN	<a href="#">709415</a>	41,00 €
68	Idle air hose L or R V8 up to .962	<a href="#">709411</a>	12,20 €	71	Hoseclamp 15mm to 21mm, worm thread style	<a href="#">250042</a>	2,07 €
73	Rbr buffer, e.g. idler mount	<a href="#">798707</a>	1,79 €	77	Thermo switch, idle M116 US	<a href="#">707326</a>	103,40 €
79	Sender unit, coolant temp.gauge	<a href="#">754097</a>	6,66 €	80	Inj Distrib Rep Kit 350/450 "Iron"	<a href="#">707510</a>	117,81 €
80	Inj Distr Rep Kit V8 3rd Generation	<a href="#">707813</a>	133,88 €	80	Inj Distrib Rep Kit 350/450 "Iron"	<a href="#">707810</a>	111,99 €
80	Inj Distr Rep Kit V8 2nd Generation	<a href="#">707511</a>	151,18 €	80	Inj Distr Rep Kit V8 3rd Generation	<a href="#">707513</a>	145,66 €
82	Rep.-Kit pressure regulator for K-Jet fuel distributor	<a href="#">707370</a>	228,85 €	101	cable clip e.g. fuel hose	<a href="#">747994</a>	1,42 €
104	Rubber inlay, clamp, 3 line, 1x8 + 2x5mm	<a href="#">847039</a>	2,82 €	104	clamp inlay	<a href="#">747038</a>	1,84 €
105	rubber inlay, clamp	<a href="#">747039</a>	2,11 €	106	Clamp, fuel pipes	<a href="#">247049</a>	2,68 €
106	3-way Clamp Fuel Pipes, W113 (EU)	<a href="#">247040</a>	2,90 €	106	Fuel and brake line clamp, for 30mm rubbers	<a href="#">147014</a>	2,32 €
107	Clip fits 2 pipes ea 8mm	<a href="#">798177</a>	0,55 €	108	clamp 37,5 mm	<a href="#">747040</a>	5,24 €
109	Clamping Bolt M6 for square bodypanel holes	<a href="#">188036</a>	7,90 €	110	Clamp, e.g. wiring, inner width 15mm	<a href="#">254069</a>	5,65 €
111	Panelling screw 5,5 x 16 (hex head 8mm)	<a href="#">288059</a>	0,60 €	111	Counter sunk screw, eg wing to rail	<a href="#">799930</a>	0,38 €
112	Grommet 6/26, 45°, e.g. hydr-line clutc	<a href="#">299001</a>	2,68 €	114	Rubber trumpet, fuel tank ventilation	<a href="#">747079</a>	10,00 €
115	Hose strap, replaces hose clamp	<a href="#">250099</a>	0,55 €	150	Diaphragm kit, set, warmup regulator K-Jet	<a href="#">707162</a>	241,66 €
150	heater resistor coil 21 Ohm, K-Jet warm up regulator	<a href="#">707165</a>	40,28 €	150	heater resistor coil 32 Ohm, K-Jet warm up regulator	<a href="#">707166</a>	40,28 €
150	heater resistor coil 47 Ohm, K-Jet warm up regulator	<a href="#">707167</a>	40,28 €	150	Diaphragm kit, warmup regulator K-Jet	<a href="#">707161</a>	98,86 €

## 07.g M103 Injectors and Flow Devider

07.g M103 Injectors and Flow Devider



\* diese Teile bitte anfragen, Varianten-Vielfalt und unterschiedliche Lieferbedingungen für Instandsetzungs-Service erfordern detaillierte Informationen.

\* please inquire these parts, detailed information are required because of variation diversities and different delivery terms for reconditioning services.



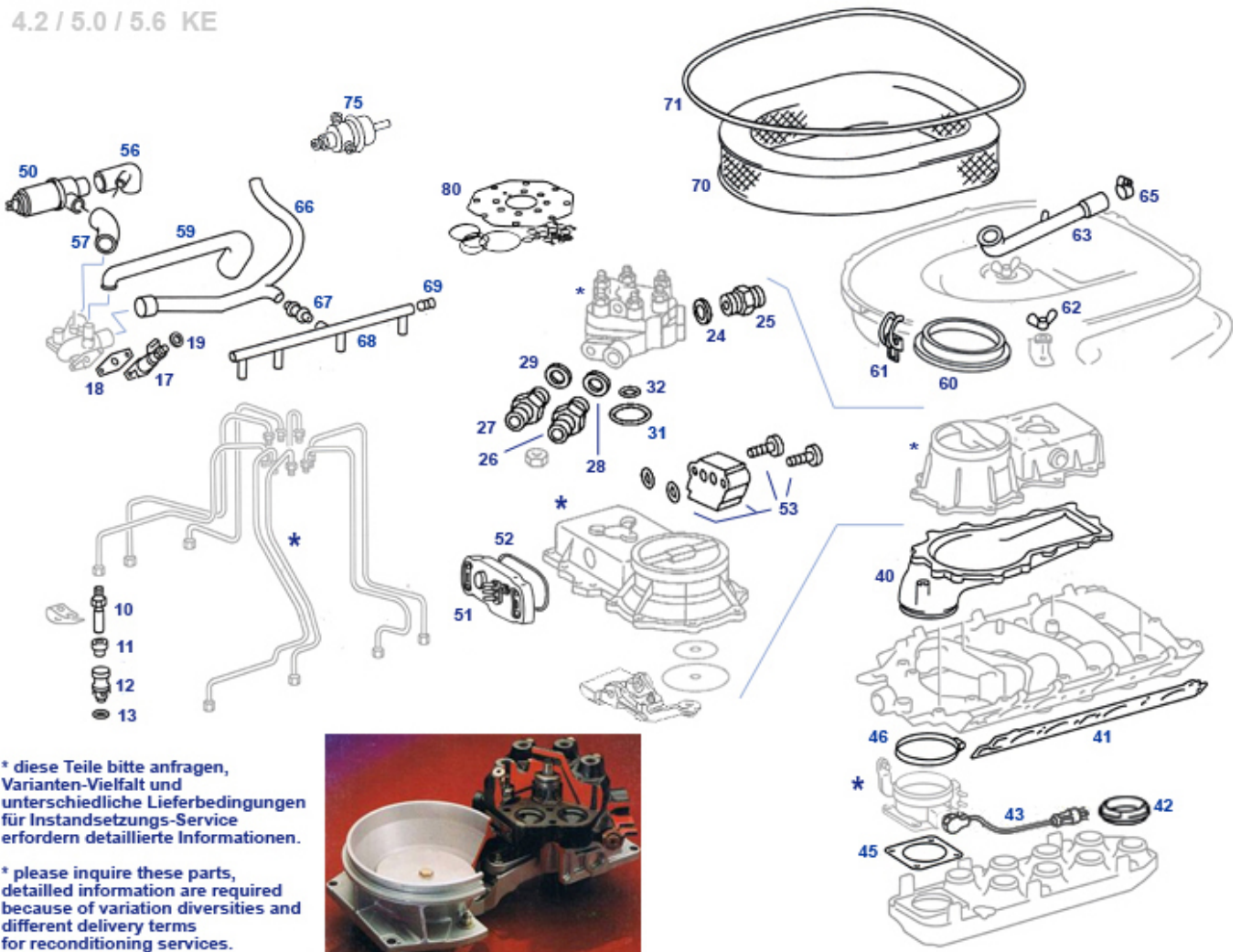
	Bushing for injectors, KE 103/104 "from FN"	<a href="#">707329</a>	19,04 €		Temp. sender unit, 4-Pole, KE-Jet / EZL	<a href="#">954396</a>	23,53 €
	Sensor, air intake temp KE, brand FAE	<a href="#">554596</a>	28,50 €		Idle air control valve KE M103/104... "Löwe"	<a href="#">707828</a>	99,96 €
10	Fuel pressur regulator e.g. 103 KE	<a href="#">707290</a>	686,26 €	16	Sealing ring ID8, eg. for hollow screw	<a href="#">220011</a>	0,10 €
24	Seal ring, sump plug	<a href="#">299303</a>	0,13 €	25	Threaded fitting w. filter	<a href="#">707478</a>	2,51 €
31	Seal ring under K-jet control housing	<a href="#">707298</a>	0,81 €	35	Injector, K/KE (except V8-85->)	<a href="#">707105</a>	37,44 €
36	Rbr guide tube, KE-jets, M103 early	<a href="#">707319</a>	1,30 €	38	Seal ring KE-injectors eg. M103/104 FN	<a href="#">707335</a>	0,76 €
51	Potentiometer, Jetronic, Repro	<a href="#">707854</a>	65,45 €	51	Potentiometer, KE-Jetronic, New Bosch	<a href="#">707354</a>	347,85 €
51	Book, German, K-and KE-Jetronic 72 pages print	<a href="#">711305</a>	34,50 €	53	el. KE mixture regulator (EHS), Bosch	<a href="#">707360</a>	432,52 €
53	Seal ring eg K-Jet press contr.unit	<a href="#">707369</a>	2,05 €	53	el. KE mixture regulator (EHS), Repro	<a href="#">707860</a>	238,00 €
55	housing, lower K-jet flap rubber housing	<a href="#">714330</a>	15,10 €	57	Rbr buffer M6	<a href="#">714098</a>	1,87 €
60	Throttle flap w.body + el-switch e.g.M10	<a href="#">714300</a>	191,29 €	62	gasket, throttle body lower	<a href="#">714013</a>	6,44 €
80	Inj Distrib Rep Kit 6-Cyl "K-E"	<a href="#">707808</a>	108,89 €	80	Inj Distrib Rep Kit 6-Cyl "K-E"	<a href="#">707508</a>	120,95 €

## 07.h KE Injection / Idle Air, V8 Engines

07.h KE Injection / Idle Air, V8 Engines



4.2 / 5.0 / 5.6 KE



\* diese Teile bitte anfragen, Varianten-Vielfalt und unterschiedliche Lieferbedingungen für Instandsetzungs-Service erfordern detaillierte Informationen.

\* please inquire these parts, detailed information are required because of variation diversities and different delivery terms for reconditioning services.

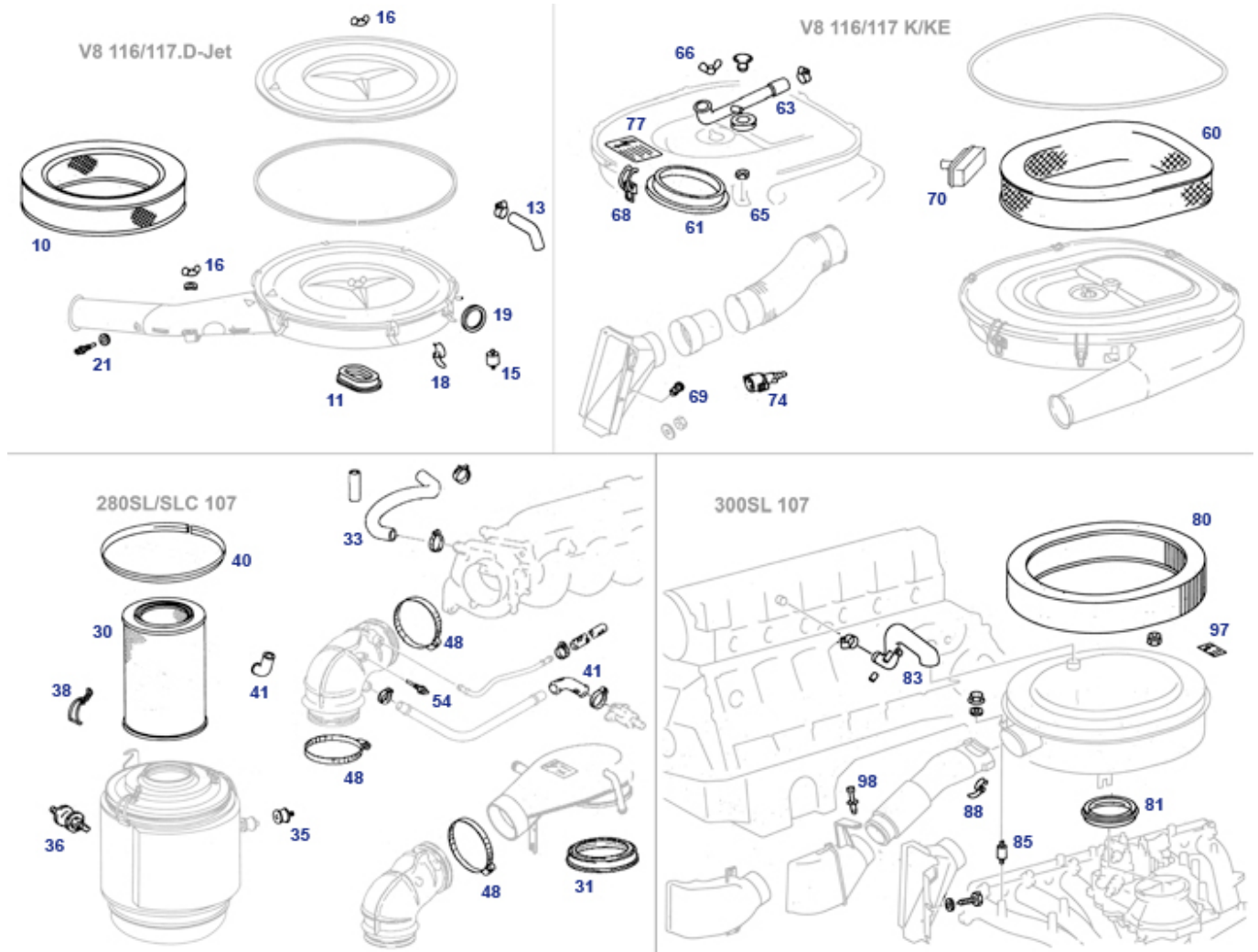


	Rubber seal / valve guide K-Jet div.	<a href="#">707715</a>	1,46 €		Sensor, air intake temp KE, brand FAE	<a href="#">554596</a>	28,50 €
	Y-connector for vacuum pipe	<a href="#">707780</a>	2,93 €		X-connector for vacuum pipe	<a href="#">707881</a>	1,90 €
10	Injector 420SL, 500 from M.964, 560	<a href="#">707104</a>	73,04 €	10	Set 8 pcs injectors "KE" (SLS 707104) w.rubber rings	<a href="#">707564</a>	588,66 €
13	Seal ring injector support->head V8 K-Jet	<a href="#">707424</a>	1,32 €	18	Gasket, start valve,air distributor	<a href="#">707209</a>	0,76 €
19	Sealing ring ID8, eg. for hollow screw	<a href="#">220011</a>	0,10 €	26/27	Threaded fitting w. filter	<a href="#">707478</a>	2,51 €
29	Copper seal ring M12 e.g. Autm transm	<a href="#">799303</a>	0,18 €	41	Gasket left side, inlet->head 3.8/4.2/5.0/5,6	<a href="#">714452</a>	10,02 €
41	Gasket RH, inlet->head 3.8/4.2/5.0/5,6	<a href="#">714451</a>	10,44 €	42	Rubber ring on manifold 8-cyl	<a href="#">714865</a>	5,43 €
46	1m metal strip, 9mm clamp	<a href="#">109030</a>	4,00 €	50	IAC-valve "KE"-V8 from '85, "Löwe"	<a href="#">707520</a>	99,00 €
50	Aux air valve 380USA - e.g. 116.962	<a href="#">707420</a>	299,99 €	50	Rbr buffer, e.g. idler mount	<a href="#">798707</a>	1,79 €
51	Potentiometer, Jetronic, Repro	<a href="#">707854</a>	65,45 €	51	Potentiometer, KE-Jetronic, New Bosch	<a href="#">707354</a>	347,85 €
53	Seal ring eg K-Jet press contr.unit	<a href="#">707369</a>	2,05 €	53	el. KE mixture regulator (EHS), Bosch	<a href="#">707360</a>	432,52 €
53	el. KE mixture regulator (EHS), Repro	<a href="#">707860</a>	238,00 €	56	Connector to idle air valve eg 117KE	<a href="#">709517</a>	4,66 €
57	Hose	<a href="#">709518</a>	4,66 €	59	Hose, head to idle breather	<a href="#">709519</a>	7,89 €
60	Seal, air filter housing to inj-body, div. V8	<a href="#">714025</a>	17,85 €	62	Wing nut, M6 yellow zined, batt.support, pws tank, ...	<a href="#">154089</a>	2,55 €
63	Hose Eng breather to filter V8 from K-J	<a href="#">709504</a>	13,15 €	66	Rbr hose idle air V8 late LH	<a href="#">709509</a>	50,69 €
68	Idle air hose L or R, V8 from KE-Jet, repro	<a href="#">709608</a>	13,09 €	70	Airfilter R/C107, V8 K-Jet+KE, MANN	<a href="#">709400</a>	24,72 €

73	rubber cap at suction pipes ref. A0009873745	<a href="#">707973</a>	6,07 €	75	Pressure regulator	<a href="#">707580</a>	767,55 €
80	Inj Distr Rep Kit V8 from 9.'85 ->	<a href="#">707814</a>	125,00 €	80	Rep.-Satz Mengenteiler V8 85->	<a href="#">707515</a>	134,67 €
80	Inj Distr Rep Kit V8 from 9.'85 ->	<a href="#">707514</a>	118,95 €	80	Inj Distr Rep Kit V8 3rd Generation	<a href="#">707513</a>	145,66 €
82	Rep.-Kit pressure regulator for K- Jet fuel distributor	<a href="#">707370</a>	228,85 €	960-KA	Idle air hose L or R V8 up to .962	<a href="#">709411</a>	12,20 €

## 09 Engine Air Ducts

### 09.a Air filter



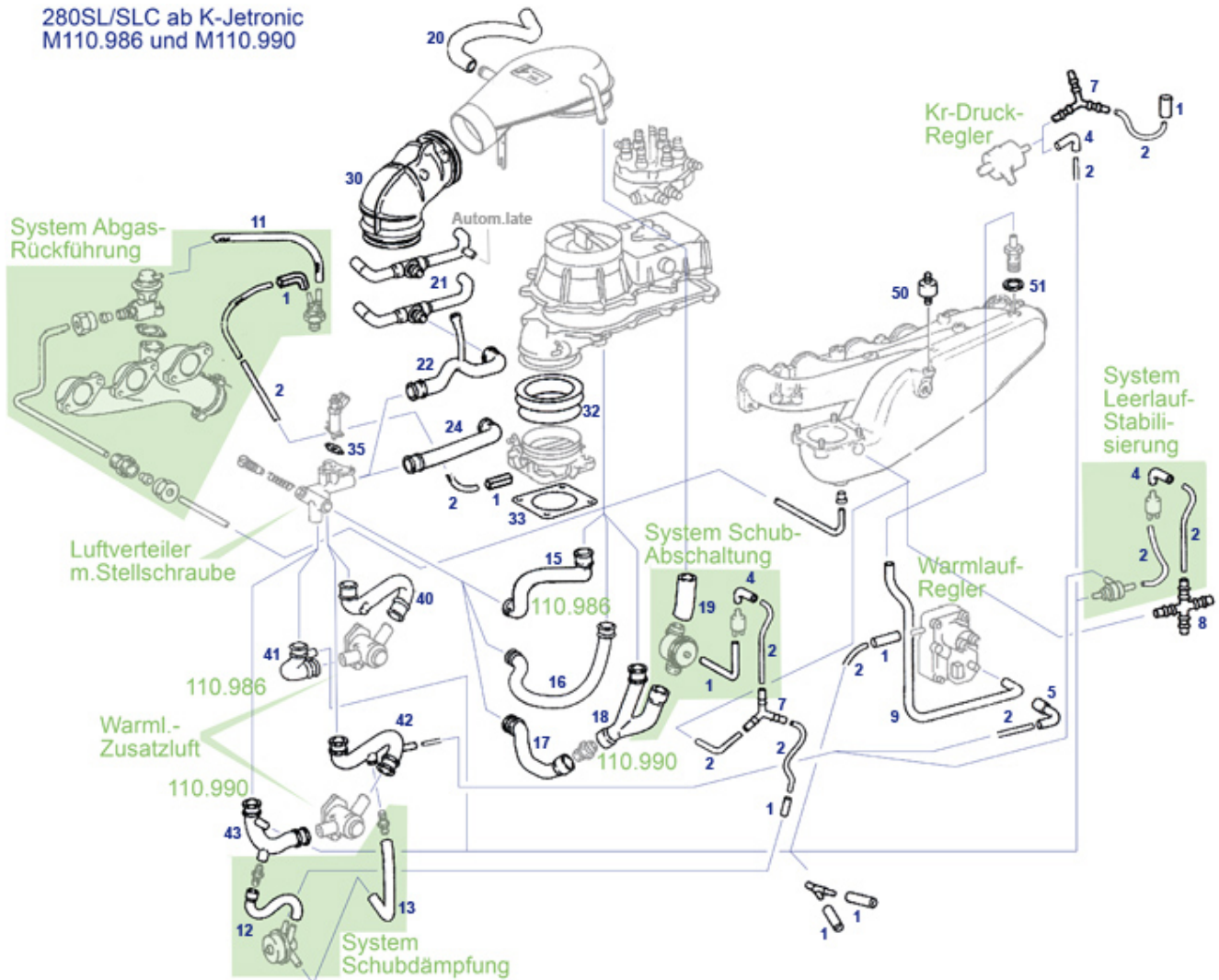
10	Airfilter V-8 early (round) brand Mann	<a href="#">709401</a>	56,75 €	10	Airfilter V-8 early (round), No Name brand	<a href="#">709701</a>	21,42 €
11	seal ring airfilter @ throttle, V8 D-Jet	<a href="#">709408</a>	8,93 €	13	Hose clamp 24-32, worm thread style	<a href="#">999889</a>	1,51 €
15	Rubber buffer, L40	<a href="#">709846</a>	6,69 €	16	Wing nut, M6 yellow zined, batt.support, pws tank, ..	<a href="#">154089</a>	2,55 €
19	rubber band, airfilter bracket	<a href="#">709390</a>	1,40 €	21	Sealing ring ID8, eg. for hollow screw	<a href="#">220011</a>	0,10 €
30	Air filter element R113, 280SL/SLC NoName	<a href="#">209402</a>	14,57 €	30	Air filter R113, 280 SL/SLC (MANN)	<a href="#">209400</a>	35,87 €
33	Hose, M110.986 Eng-vent from FN	<a href="#">709215</a>	23,15 €	35	Rubber buffer e.g. air filter housing	<a href="#">709406</a>	3,99 €
36	Mounting,af. flexible buffer	<a href="#">209406</a>	7,69 €	38	Wire clips, air filter box, Repro	<a href="#">214825</a>	2,59 €
40	Seal for Air filter Lid (1m)   A0000942079	<a href="#">214020</a>	4,17 €	41	Hose 90°, air filter 230SL, M110-D-J	<a href="#">209809</a>	3,84 €
48	Hose Clamp 80-100mm, fits air hose	<a href="#">709204</a>	1,32 €	60	Airfilter R/C107, 8-cly. FN, NoName	<a href="#">709403</a>	14,28 €
60	Airfilter R/C107, V8 K-Jet+KE, MANN	<a href="#">709400</a>	24,72 €	61	Seal, air filter housing to inj-body, div. V8	<a href="#">714025</a>	17,85 €
63	Hose eng breather to filter V8 fromkJe	<a href="#">709804</a>	8,98 €	63	Hose Eng breather to filter V8 from K-J	<a href="#">709504</a>	13,15 €
65	Rubber mount, e.g. Fuel pump, Air box	<a href="#">247828</a>	1,56 €	69	plastic rivet	<a href="#">799104</a>	1,05 €
70	Hose, air filter to air pump	<a href="#">709313</a>	42,00 €	70	Aux Air filter, if add air pump	<a href="#">709502</a>	12,55 €
74	Sensor, air intake temp KE, brand FAE	<a href="#">554596</a>	28,50 €	77	Adhesive label "Hochspannung"	<a href="#">799946</a>	14,71 €
77	Label "Danger High Voltage"	<a href="#">799961</a>	16,31 €	80	Airfilter 300SL MANN	<a href="#">709402</a>	21,60 €

D/EN/FR						
81	Seal ring, below filter box	<a href="#">709328</a>	7,77 €	83	Breather hose, eng. to filter housg	<a href="#">709319</a> 19,68 €

## 09.b M110 K-Jet Hoses: Vent and Idle Air

09.b M110 K-Jet Hoses: Vent and Idle Air

280SL/SLC ab K-Jetronic  
M110.986 und M110.990



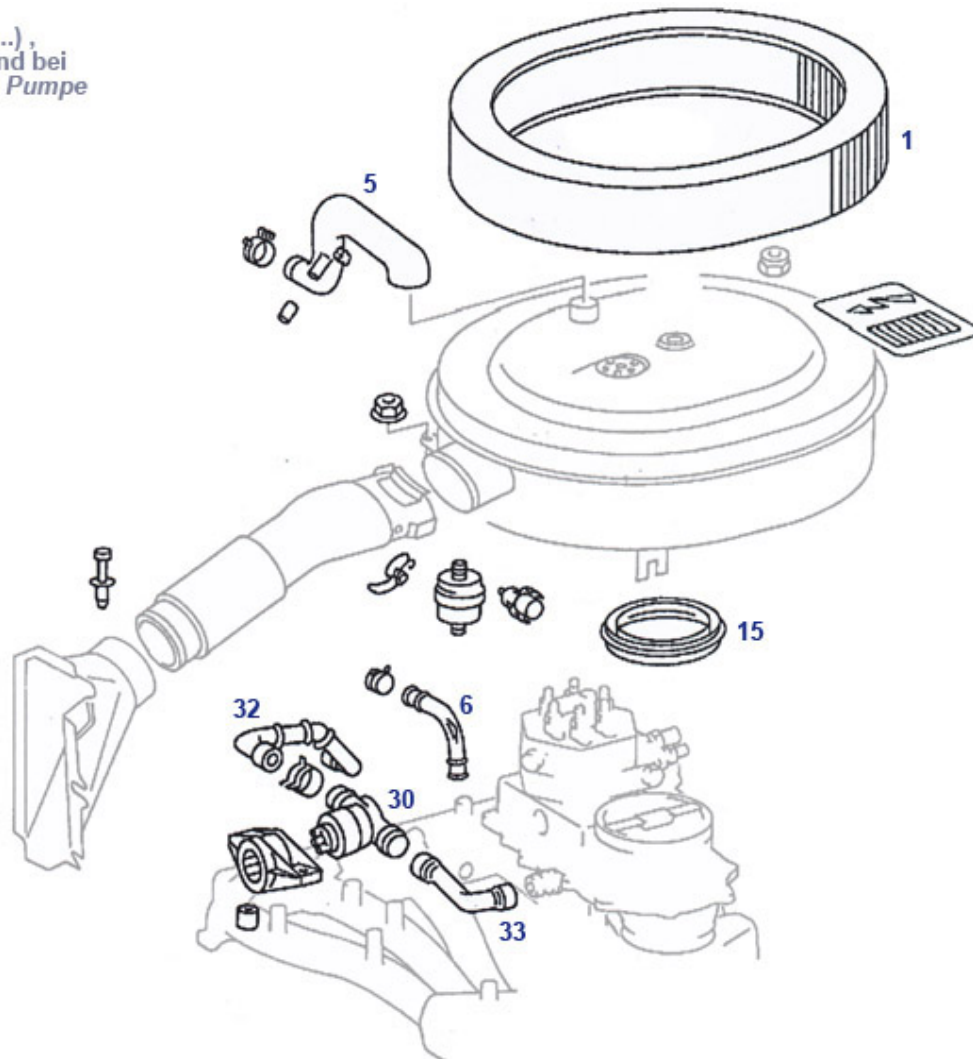
1	Pipe, vacuum, per mtr.	<a href="#">715027</a>	5,12 €	2	Vacuum pipe, 2/4mm,per mtr	<a href="#">215027</a>	1,82 €
4	Hose, low pressure	<a href="#">707183</a>	2,74 €	5	Hose angle with reduction	<a href="#">707186</a>	5,12 €
7	Y-connector, unfinished: open channels as req.	<a href="#">707180</a>	4,01 €	8	X-connector, unfinished: open channels as req.	<a href="#">707181</a>	4,86 €
16	Hose, 110.986 idle air->plenum, ref.709212 110 094 3382	<a href="#">709212</a>	19,86 €	17	Hose M110 idle air distrib.	<a href="#">709217</a>	10,76 €
20	Hose, M110.986 Eng-vent from FN	<a href="#">709215</a>	23,15 €	21	Hose partition (front) from 709202 or 709203	<a href="#">709240</a>	5,36 €
22	Hose, 110.990 iA-Distr->Manif	<a href="#">709205</a>	18,16 €	24	hose, air-distr.->intake M110 up to FN	<a href="#">709219</a>	15,20 €
30	Hose Clamp 80-100mm, fits air hose	<a href="#">709204</a>	1,32 €	32	A1101410582	<a href="#">714016</a>	4,76 €
33	Gasket, throttle flap housing	<a href="#">714012</a>	2,94 €	35	Gasket, start valve,air distributor	<a href="#">707209</a>	0,76 €
41	Hose, 110.990 , iA-Distrib->iAC-Valve	<a href="#">709216</a>	19,86 €	42	Hose, 110.986 air valve	<a href="#">709206</a>	15,48 €
42	Hose, 110.990 iAC-valve->iAC-Distrbr	<a href="#">709207</a>	14,76 €	50	Rubber mount, e.g. Fuel pump, Air box	<a href="#">247828</a>	1,56 €
51	Seal ring 10x13,5, Alu, e.g. sender, hollow bolts	<a href="#">227023</a>	0,50 €	98	Screw idle air adjuster, as genuine latest style	<a href="#">714316</a>	17,26 €



## 09.e M103 Air Filter, Vent and Idle Air

09.e M103 Air Filter, Vent and Idle Air

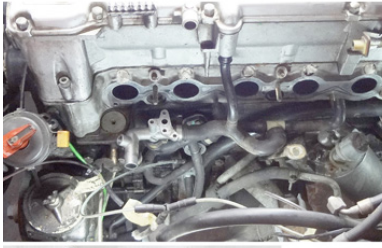
M103 ("300SL", ...),  
Grafik abweichend bei  
Typen AGR oder Pumpe



hose	Vacuum pipe, 2/4mm.per mtr	<a href="#">215027</a>	1,82 €		housing, lower K-jet flap rubber housing	<a href="#">714330</a>	15,10 €
	hex.head screw M6 X 22 zinc plated	<a href="#">218596</a>	0,32 €		hex.nut with non metallic insert M6, zinc plated	<a href="#">799812</a>	0,19 €
nut	nut M6 w. flange, zinc plated	<a href="#">799913</a>	0,37 €	1	Airfilter 300SL MANN	<a href="#">709402</a>	21,60 €
5	Breather hose, eng. to filter housg	<a href="#">709319</a>	19,68 €	5	spring clamp 22mm	<a href="#">997995</a>	2,32 €
6	Vent hose M103 headcover	<a href="#">709314</a>	5,74 €	6	Hose clamp 23-31mm, worm thread style	<a href="#">750042</a>	1,09 €
6	spring clamp 14mm	<a href="#">747990</a>	1,57 €	15	Seal ring, below filter box	<a href="#">709328</a>	7,77 €
30	Idle air control valve KE M103/104... "Löwe"	<a href="#">707828</a>	99,96 €	32	Idle breather hose M103	<a href="#">709317</a>	10,79 €
33	Hose to idle air valve M103	<a href="#">709318</a>	7,20 €	42	Rbr buffer M6	<a href="#">714098</a>	1,87 €
42	Buffer, air filter housing M103	<a href="#">714097</a>	4,46 €	42	Sensor, air intake temp KE, brand FAE	<a href="#">554596</a>	28,50 €
50	Adhesive label "Hochspannung"	<a href="#">799946</a>	14,71 €	60	plastic rivet	<a href="#">799104</a>	1,05 €

## 09.i M110/116/117 Info hidden position engine air duct

09.i M110/116/117 Info hidden position engine air duct



M110.990 1984

6-Cyl.



M110.986 vor 04.'78



**i**

M110/M116/M117  
Lage luftführender Gummiteile  
im schlecht sichtbaren Bereich  
unterhalb der Saugrohre

M110/M116/M117  
Position of engine airduct rubber  
components underneath suction  
manifolds



8-Cyl.



M117 KE

V8	Rubber ring on manifold 8-cyl	<a href="#">714865</a>	5,43 €	vent hose LH, 117.985,..	<a href="#">709807</a>	7,51 €
----	-------------------------------	------------------------	--------	--------------------------	------------------------	--------

## 15, 18, 20 Engine Service + Ignition

### Eng.Maintenance + Ignition Parts

Eng.Maintenance + Ignition Parts

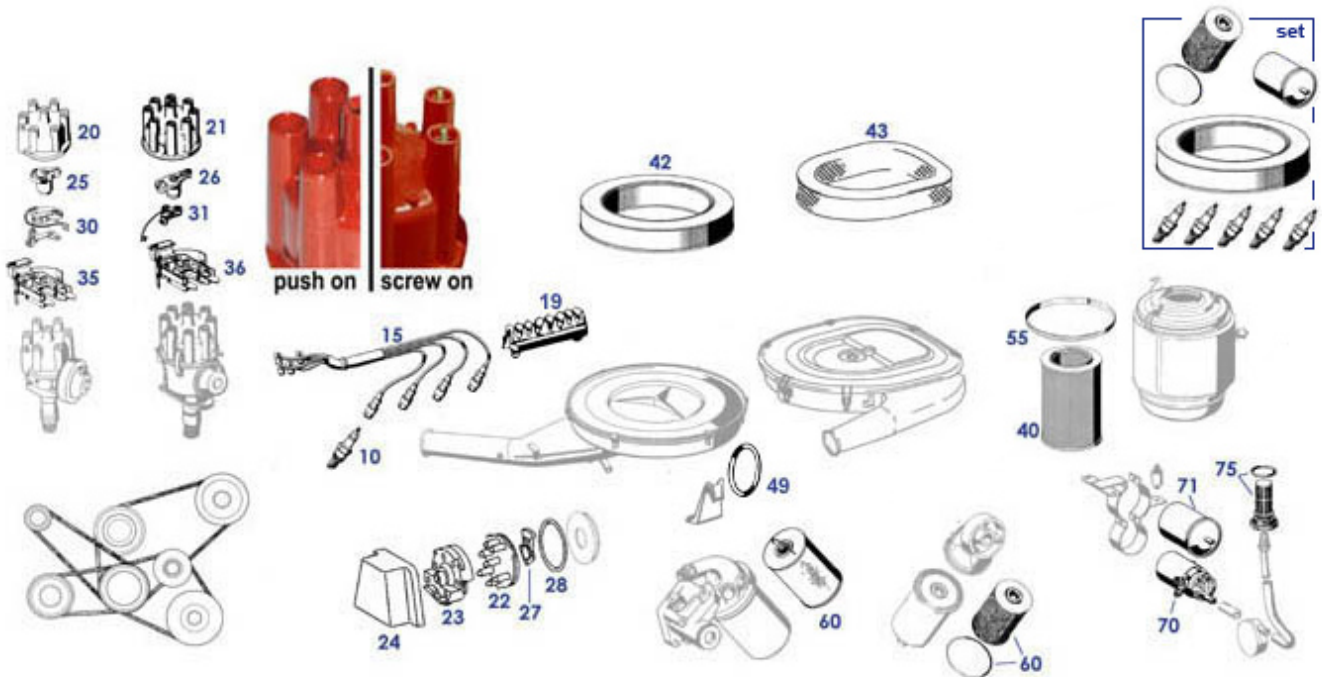


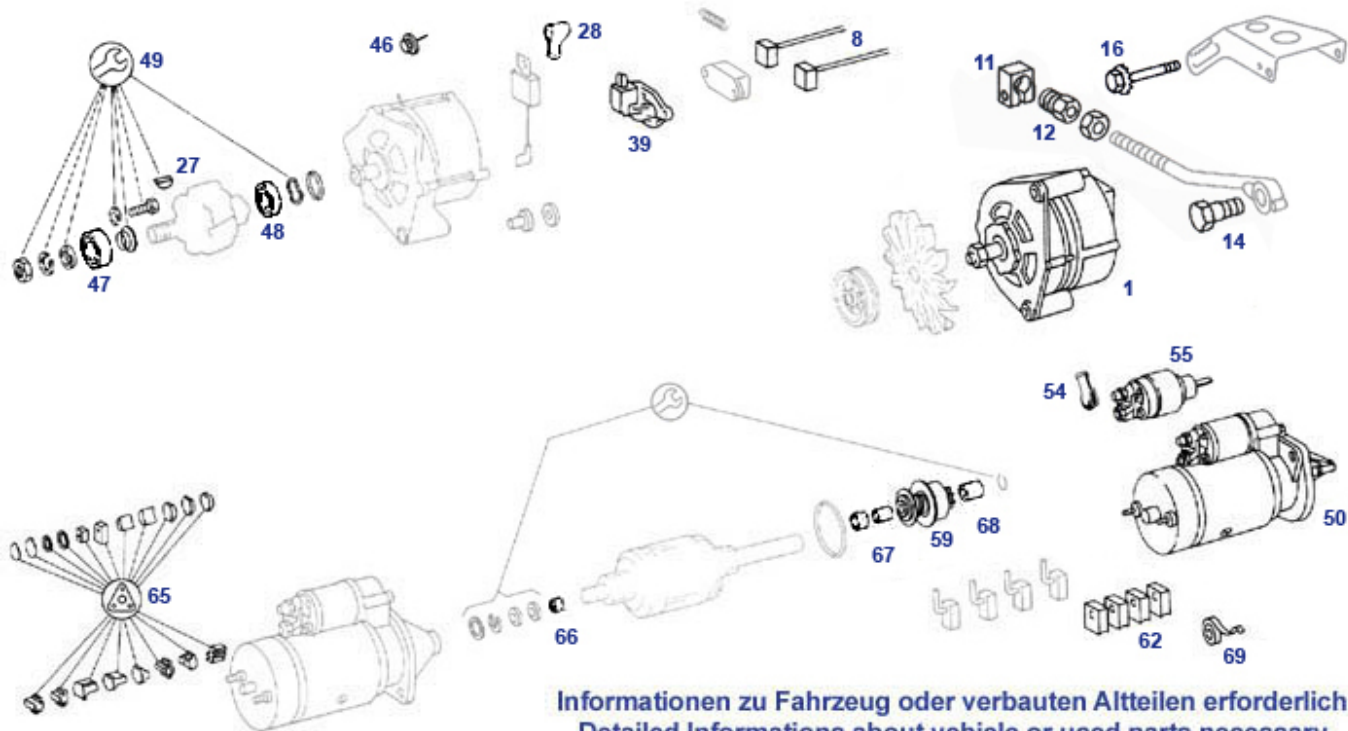
Image example V-belt: M117 with climate compr. and aux.air pump. Single belt (ribbed belt) for motor M103 click area. Ignition lines and caps: please remove a cable from the distributor before ordering. "Push on" in this type, the distributor cap has a socket, at the end of the cable there is a plug hat. "Screw on" in this type looks an M4 threaded pin from the cap, at the end of the cable is a ratchet bush. "SAE" in this strain, the distributor cap has a waisted pin, at the end of the cable there is a snapping socket.

	Radiator cap ref A 123 501 0215 char-id 110	<a href="#">550016</a>	5,36 €		Spark plug Bosch WR9 DC+, SAE only, V8 Cat Export	<a href="#">715918</a>	3,78 €
	Wire bushing with treaded pin	<a href="#">515999</a>	2,25 €		Ign.cbl.set, NGK, V8 ca. '80 - '85	<a href="#">715427</a>	341,11 €
	Rest: Water Pump 3.5/4.5, Version ...0801	<a href="#">720018</a>	146,87 €		Rest: Bosch Fuel Pump 0 580 464 125	<a href="#">747007</a>	148,75 €
	RPM Sensor e.g. 103, 104, pls eng.-data	<a href="#">915364</a>	114,34 €		Spark Plug NGK BPR5ES	<a href="#">715518</a>	3,55 €
	N/A, replaceable by 715622	<a href="#">715422</a>	167,35 €		N/A,! replaceable by 615623	<a href="#">715320</a>	129,52 €
	Fuel pump e.g. KE-types, Marelli	<a href="#">747847</a>	247,15 €		N/A, replaceable by 715627	<a href="#">715023</a>	104,51 €
buffer	Rubber buffer e.g. air filter housing	<a href="#">709406</a>	3,99 €		Screw, M4X6 Phillips, e.g switch	<a href="#">799546</a>	0,24 €
o.Abb.	Seal ring I/D 21,5 / material 4,75 mm ref.-No. A0119970548	<a href="#">715229</a>	0,48 €		see 715999	<a href="#">715116</a>	0,68 €
o.Abb.	Wire, hall to transistor e.g. 117.986. ... Repro	<a href="#">715407</a>	109,40 €		V-belt 13 x 915 e.g. late A/C 450 US	<a href="#">799137</a>	12,25 €
10	Spark plug, NGK,	<a href="#">215018</a>	2,83 €	10	Spark plug Bosch HR8 DC +, e.g. 300SL/107 Euro	<a href="#">715220</a>	3,02 €
10	Spark plug BOSCH WR8-DC+, K-Jet late	<a href="#">715219</a>	2,48 €	10	Sparkplug Bosch W7DC	<a href="#">215917</a>	3,22 €
10	Sparkplugs 300SL low comp.	<a href="#">715221</a>	2,95 €	15	Ign.cbl.set BOSCH V8 SAE, example 500SL from '85	<a href="#">715428</a>	204,68 €
15	Connector	<a href="#">715016</a>	18,77 €	15	plug ign.wire to distributor	<a href="#">715615</a>	11,04 €
15	Ignition lead set V8 "screw-on" ALU-V8 up to 08.'85, BREMI	<a href="#">715622</a>	99,90 €	15	spark plug 1kOhm M103 Bremi	<a href="#">715818</a>	22,00 €
15	Ignition lead set M110 screw on, K-Jet, BREMI	<a href="#">715627</a>	138,99 €	15	Ignition lead set M110 screw on, D-Jet, BREMI	<a href="#">715621</a>	94,77 €
15	Ign.cbl.set 450SL/SLC early: "push on"	<a href="#">715421</a>	164,99 €	15	Ign.cbl.set 3.5 -push on, SL/SLC/SE	<a href="#">715321</a>	199,00 €
15	Ign control wire, eg. 116.962, others...ca 82-85	<a href="#">715228</a>	98,77 €	15	Rubber grommet 22/26mm, ign leads, ...	<a href="#">798774</a>	2,89 €
15	Ign.cbl.set 350 BREMI "screw-on"	<a href="#">715623</a>	161,99 €	15	remainder of stoc: Spark-plug connector 5kOhm V8 '69-'80	<a href="#">715317</a>	14,88 €
15	Ignition lead set V8 SAE, BREMI, example 500SL/SE from ca '85	<a href="#">715624</a>	85,28 €	15	Ignition lead set 300CE,E,SE,SL,TE SAE fem.,	<a href="#">715626</a>	86,55 €

15	ignition cable marker	<a href="#">715430</a>	3,30 €	15	BREMI		
15	90° plug 1 kOhm, ign leads	<a href="#">715014</a>	8,54 €	15	Ign.cbl.set V8 SAE, example 500SE/SEC/SL/SEL from '85	<a href="#">715625</a>	131,50 €
15	Rest: replaceable by 715621	<a href="#">715022</a>	116,35 €	19	Ign.cbl.set M110 late fits cap w.SAE plugs	<a href="#">715024</a>	179,00 €
20	Distributor cap 280SL/SLC er.	<a href="#">715207</a>	129,17 €	20	ignition cable bracket M110/116/117,Repro	<a href="#">715323</a>	4,30 €
20	Distributor cap 280SL late, SAE, rest, BERU	<a href="#">715810</a>	134,95 €	20	Distributor cap 280SL/SLC "screw on", Bremi	<a href="#">715208</a>	77,52 €
21	Dist. cap V8 FN -> 8'85	<a href="#">715408</a>	173,00 €	21	Distributor cap 280SL late, SAE, Vemo/Vierol	<a href="#">715610</a>	106,43 €
21	Dist. cap V8 FN -> 8'85 Beru	<a href="#">715808</a>	75,23 €	21	Dist. cap V8 09.85-> SAE-Bolts	<a href="#">715409</a>	144,63 €
21	Distr. Cap V8 early (push-on) BOSCH	<a href="#">715307</a>	85,68 €	22	Dist. cap M116/117 middle	<a href="#">715308</a>	224,27 €
23	Sleeve above distributor cap M103	<a href="#">715325</a>	13,90 €	25	Distributor cap 300SL	<a href="#">715206</a>	165,31 €
25	Rotor 280 from 110.990 Bosch	<a href="#">715212</a>	29,48 €	26	Rotor 280 with limiter 6600	<a href="#">715213</a>	217,87 €
26	Rotor 450 and 5.0 early	<a href="#">715411</a>	281,11 €	26	Rotor arm V8 09.85->	<a href="#">715412</a>	58,64 €
26	Rotor , V8, eng Data req	<a href="#">715312</a>	65,63 €	26	Rotor V8 ca. '81-'85	<a href="#">715313</a>	48,90 €
27	Rotor arm 300SL (M103), BOSCH	<a href="#">715314</a>	68,28 €	27	Rotor arm 300SL (M103), BERU	<a href="#">715814</a>	65,45 €
30	pointers M110 up to br.-less, BOSCH	<a href="#">715215</a>	12,76 €	28	Sealing ring, dist cap, 300SL	<a href="#">715319</a>	4,19 €
35	1-2-3 distributor, fits 2.8 D-Jet, NOT M110	<a href="#">715801</a>	376,99 €	31	Pointer set 350SL/C early w.cap	<a href="#">715315</a>	7,25 €
36	F026T03035 Rep-Kit Jetronic pointers (V8 "D")	<a href="#">715309</a>	698,08 €	35	used part required: overhaul D-Jet pointers R6	<a href="#">715279</a>	298,99 €
40	Air filter R113, 280 SL/SLC (MANN)	<a href="#">209400</a>	35,87 €	36	used part required: overhaul D-Jet pointers V8	<a href="#">715379</a>	499,99 €
42	Airfilter V-8 early (round), No Name brand	<a href="#">709701</a>	21,42 €	40	Air filter element R113, 280SL/SLC	<a href="#">209402</a>	14,57 €
43	Airfilter R/C107, V8 K-Jet+KE, MANN	<a href="#">709400</a>	24,72 €	40	NoName		
43	Airfilter R/C107, 8-cly. FN, NoName	<a href="#">709403</a>	14,28 €	42	Airfilter V-8 early (round) brand Mann	<a href="#">709401</a>	56,75 €
49	rubber band, airfilter bracket	<a href="#">709390</a>	1,40 €	43	Airfilter 300SL MANN	<a href="#">709402</a>	21,60 €
60	Oilfilter 300SL/M103, M102, ..., Mann	<a href="#">718041</a>	9,62 €	43	Aux Air filter, if add air pump	<a href="#">709502</a>	12,55 €
61	Sender, oil press meter	<a href="#">754318</a>	42,36 €	55	Seal for Air filter Lid (1m)   A0000942079	<a href="#">214020</a>	4,17 €
70	Fuel pump, Bosch 0 580 464 999	<a href="#">747905</a>	291,10 €	60	Oilfilter R/C107 except 300SL	<a href="#">718042</a>	9,31 €
71	Fuel filter D 81mm, all from '85->	<a href="#">747701</a>	40,73 €	70	Fuelpump 06.76->08.85+300SL	<a href="#">747006</a>	71,61 €
71	Fuel filter 6.76 up to FN, D75mm "Mann"	<a href="#">747700</a>	28,42 €	70	Fuel pump e.g. KE-types , Pierburg	<a href="#">747047</a>	200,84 €
98	nut M6 w. flange, zinc plated	<a href="#">799913</a>	0,37 €	71	Fuel filter R/C 107 -> 06.1976	<a href="#">747702</a>	29,21 €
98	Hose, air filter to air pump	<a href="#">709313</a>	42,00 €	71	Fuel filter 82,5x147mm M12M14 BOSCH	<a href="#">947709</a>	23,80 €
99	V' belt, 10 x 935	<a href="#">299109</a>	7,79 €	98	Label "Danger High Voltage" D/EN/FR	<a href="#">799961</a>	16,31 €
99	V belt 10 x 925 eg. 250SL LHD series	<a href="#">299107</a>	3,69 €	99	V' belt, 10 x 800	<a href="#">299110</a>	8,98 €
99	V belt 10 X 875 eg. 230SL Alternator	<a href="#">299106</a>	4,75 €	99	V belt 10 X 775	<a href="#">299108</a>	8,84 €
99	V belt 13 X 1060	<a href="#">299101</a>	17,45 €	99	V belt 10 X 900	<a href="#">299105</a>	3,69 €
99	Water pump M110-Limo: 280/C/C/SE VIN!pl	<a href="#">620020</a>	59,95 €	99	V belt 13 X 750 e.g. PWS-pump	<a href="#">299102</a>	6,19 €
99	V belt 13 X 850	<a href="#">799116</a>	5,95 €	99	V belt 10 X 913	<a href="#">799115</a>	6,10 €
99	V belt 10 X 1100, e.g. WaPu/PWS V8-FN	<a href="#">799118</a>	7,40 €	99	V belt pws. 280SL/SLC 13x818	<a href="#">799111</a>	10,89 €
99	V belt 10 X 960/965	<a href="#">799119</a>	5,36 €	99	V belt 10 x 1200 , WaPu/p.w.s.(2xreq)	<a href="#">799117</a>	7,20 €
99	Belt, 10x1005 e.g. 117.968 Generator	<a href="#">799133</a>	6,49 €	99	V belt 13 X 1285	<a href="#">799110</a>	10,29 €
99	V belt alt./wapu/fan V8	<a href="#">799114</a>	5,59 €	99	belt, 10x1110 e.g. pws pump 5.6 , 2x re	<a href="#">799130</a>	7,25 €
99	Seal ring M103... water pump to engine	<a href="#">920311</a>	1,36 €	99	Water hose, thermostate->head e.g. 129.060	<a href="#">950304</a>	5,95 €
				99	Ribbed fan belt 2175mm, e.g. M103 no A/	<a href="#">999106</a>	39,98 €
				99	Ribbed fan belt 2257mm, e.g. 103 A/C	<a href="#">999108</a>	49,99 €

## 15.b Alternator + Starter





**Informationen zu Fahrzeug oder verbauten Altteilen erforderlich  
Detailed Informations about vehicle or used parts necessary**

	Clamping block, generator belt adjuster	<a href="#">115022</a>	23,92 €	o.a.	Interference suppression capacitor with flat plug connection 90°	<a href="#">715838</a>	7,97 €
o.a.	Interference suppression capacitor with eyelet connection	<a href="#">215838</a>	29,99 €		Wire, Starter, 350+450 up to FN	<a href="#">754778</a>	447,50 €
1	Alt. 70A neu, 380/450/500SL/C	<a href="#">715380</a>	191,14 €	1	Alt. 55A overh. 280,350,450SL/SLC LHD	<a href="#">715280</a>	152,62 €
1	Generator 55A see picture, exchange	<a href="#">215280</a>	440,30 €	1	Alt. 65A new, 280SL FN, M117 US	<a href="#">715285</a>	227,77 €
1	LiMa 70A, 300SL im Tausch	<a href="#">715330</a>	341,74 €	8	Carbon brush set Alt. 55A fr.'74	<a href="#">715283</a>	3,37 €
8	Carbon brush set for alt. 70A, 100A, ..	<a href="#">715383</a>	4,11 €	8	N/A Carbon brushes 55A (int. regulator)	<a href="#">715353</a>	6,72 €
11	Clamping block, generator belt adjuster	<a href="#">115122</a>	19,04 €	11	galvanized Spring washer M8	<a href="#">233059</a>	0,21 €
11	Bolt M8 V8 early cross pipe frt exhaust	<a href="#">749348</a>	0,64 €	12	Tightening nut @ tensioner M10, hex14	<a href="#">215058</a>	15,10 €
12	Hex nut M10 metric, flat style	<a href="#">915058</a>	1,90 €	14	M12-127 lock washer	<a href="#">235316</a>	0,26 €
14	Spring washer 14mm e.g. cam wheel	<a href="#">105028</a>	0,55 €	14	Bolt, retaining, alt. Brack	<a href="#">215055</a>	8,35 €
16	Generator bolt w.toothed shim, L77	<a href="#">715056</a>	20,05 €	16	Generator bolt w.toothed shim, L116	<a href="#">715057</a>	20,05 €
27	woodruff key W4 H5	<a href="#">215077</a>	0,88 €	28	Rubber dust boot (at Gen. .)	<a href="#">254051</a>	3,25 €
39	Alt. regulator internal 55A	<a href="#">715782</a>	18,42 €	39	Alt. regulator internal 55A, BOSCH	<a href="#">715282</a>	55,36 €
46	Diode	<a href="#">215297</a>	6,44 €	47	Bearing several generators, front , 17 x 40 mm	<a href="#">215221</a>	6,05 €
47	Bearing frt side div generators, 17x47x14	<a href="#">215222</a>	8,78 €	47	Bearing fits several generators, frt, 17x52mm	<a href="#">715334</a>	20,13 €
48	cap for bearing 6201	<a href="#">215228</a>	5,12 €	48	Bearing fits several generators, rear, 12x28mm	<a href="#">715336</a>	4,31 €
48	cap for bearing 6203	<a href="#">215223</a>	5,11 €	48	Bearing rr side, div.generators 12x32	<a href="#">215226</a>	5,13 €
49	Set nuts,bolts,washers - Alt.	<a href="#">715289</a>	34,06 €	50	Starter new 450-5.0/500SL/C er.	<a href="#">715450</a>	637,25 €
50	Starter motor, replaces Bosch GF+GFR models	<a href="#">215743</a>	214,51 €	50	Starter 300SL new	<a href="#">715300</a>	448,02 €
50	Starter, revised	<a href="#">215243</a>	293,99 €	50	Starter 300SL in exchange	<a href="#">715301</a>	260,00 €
50	Starter motor R113, ..., bosch, replaced design	<a href="#">215240</a>	377,12 €	54	Cap, starter terminal	<a href="#">154056</a>	5,71 €
55	Starter solenoid "3-bolt-fitment"	<a href="#">715452</a>	51,59 €	55	Starter solenoid 450SL/SLC, 5.0/500 early, Bosch	<a href="#">715502</a>	88,13 €
55	Starter solenoid, 3 thread	<a href="#">215244</a>	39,37 €	55	Starter solenoid 300SL	<a href="#">715302</a>	51,59 €
59	Pinion w. f/w.300SL repl.	<a href="#">715342</a>	33,67 €	62	Brush support cplt, fits 715300/1	<a href="#">715299</a>	22,96 €

62	Carbon brush set, starter 715450/1	<a href="#">715297</a>	6,37 €	62	Carbon brush set, starters, FN	<a href="#">215249</a>	25,19 €
64	A0001513615 Set nuts,bolts,washers 300S	<a href="#">715298</a>	21,32 €	65	Seal kit set, starter	<a href="#">715509</a>	45,36 €
66	Bushing, starter, d12,5xD16,5xL11,5	<a href="#">115032</a>	0,95 €	68	Bushing, starter, d12xD16xL16	<a href="#">215131</a>	0,77 €

## 15.c Ignition Lead Sets, table assorted

In this catalog assembly we have compiled the ignition cable sets that can be used for R/C107. Please click in the appropriate table field, further information below.

Haupt-Kriterium Anschluss zur Verteilerkappe

bitte in das jeweilige Tabellenfeld klicken

Zylinderzahl	Abgänge Verteilerkappe	Abgänge Verteilerkappe	Abgänge Verteilerkappe
6-Zylinder →	Einsteckbuchsen ("Push On")	Gewindestifte zum aufratschen ("Screw On")	Taillierte Pins ("SAE")
8-Zylinder →	Einsteckbuchsen ("Push On")	Gewindestifte zum aufratschen ("Screw On")	Taillierte Pins ("SAE")

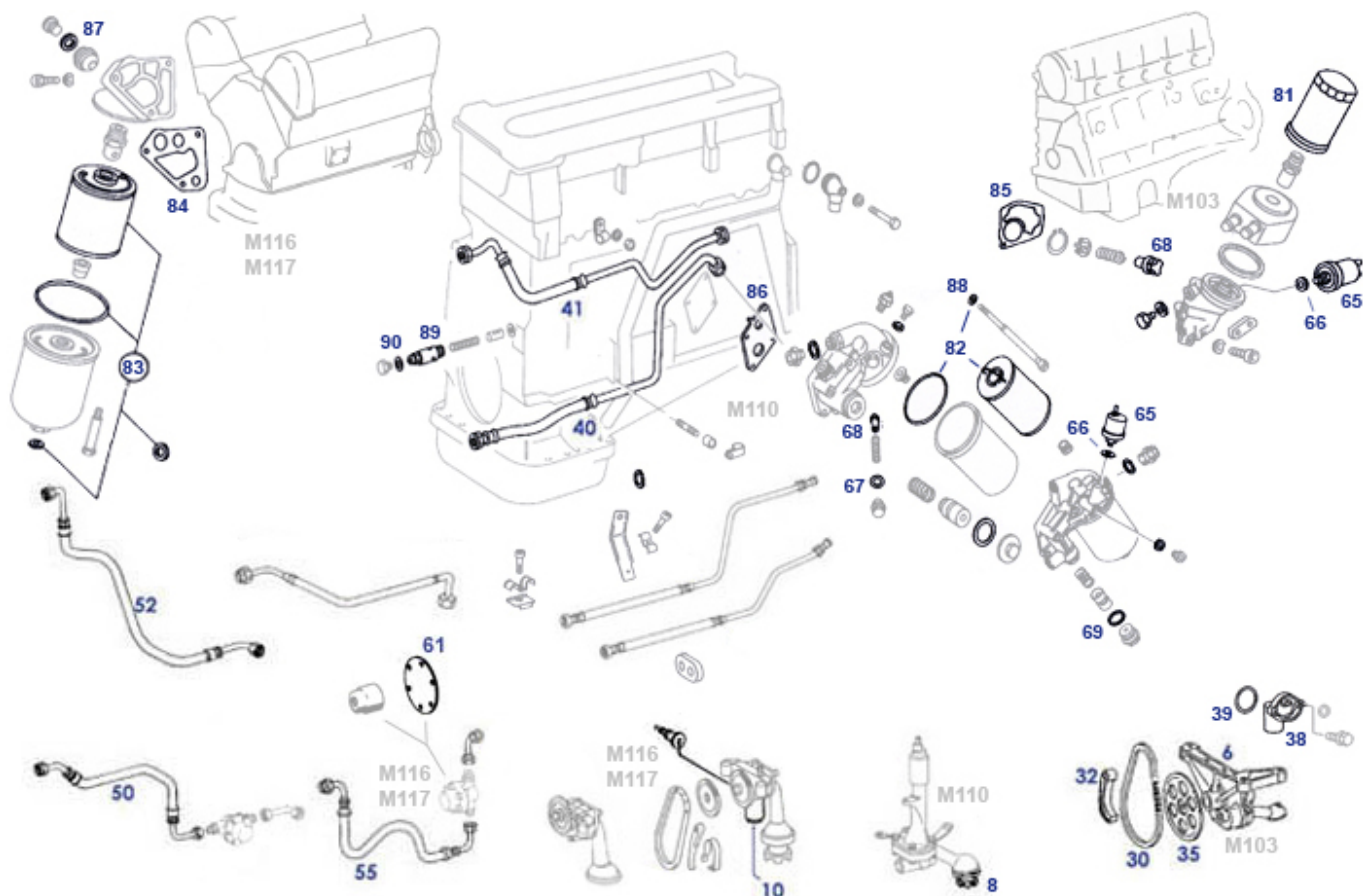
Compatibility with the distributor cap is the main criterion to avoid bad purchases. Many causes can lead to the presence of an unexpected distributor cap for combination with the cable set: Completely replaced distributors, supply bottlenecks or manufacturer-side modernization of distribution caps. We kindly ask you to take a look under an ignition cable end installed on the distributor side before ordering. For reasons of the production number, SL cable sets are usually based on the sedan variant, in almost all cases this results in a negligible excess length of the high-voltage line from the ignition coil. Sentence-by-sentence comparison numbers (reference numbers) on the part of Mercedes-Benz or Bosch exist only in a few exceptions, specialist companies can also tend to buy individual cables or individual parts after diagnosis, even contrary to the aftermarket sets, please visit our assembly ...Mercedes W111 W108 W11415.b Ignition15.f Parts for self-assembly ...

6cylscrewRest: replaceable by 715621	<a href="#">715022</a>	116,35 €	6cylsae Ign.cbl.set M110 late fits cap w.SAE plugs	<a href="#">715024</a>	179,00 €
6cylsae Ignition lead set 300CE,E,SE,SL,TE SAE fem., BREMI	<a href="#">715626</a>	86,55 €	6cylscrew Ignition lead set M110 screw on, D-Jet, BREMI	<a href="#">715621</a>	94,77 €
6cylscrew Ignition lead set M110 screw on, K-Jet, BREMI	<a href="#">715627</a>	138,99 €	8cylpush Ign.cbl.set 3.5 -push on, SL/SLC/SE	<a href="#">715321</a>	199,00 €
8cylpush Ign.cbl.set 450SL/SLC early: "push on"	<a href="#">715421</a>	164,99 €	8cylsae Ign.cbl.set BOSCH V8 SAE, example 500SL from '85	<a href="#">715428</a>	204,68 €
8cylscrew Ign.cbl.set 350 BREMI "screw-on"	<a href="#">715623</a>	161,99 €	8cylsae Ign.cbl.set V8 SAE, example 500SE/SEC/SL/SEL from '85	<a href="#">715625</a>	131,50 €
8cylsae Ignition lead set V8 SAE, BREMI, example 500SL/SE from ca '85	<a href="#">715624</a>	85,28 €	8cylscrew Ignition lead set V8 "screw-on" ALU-V8 up to 08.'85, BREMI	<a href="#">715622</a>	99,90 €

## 15.i Info Spark Plugs

15.i Info Spark Plugs



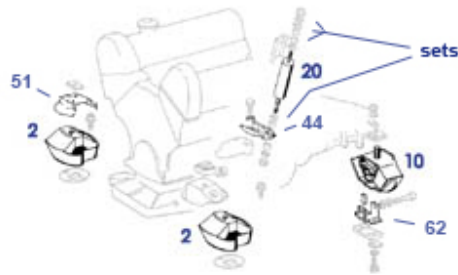
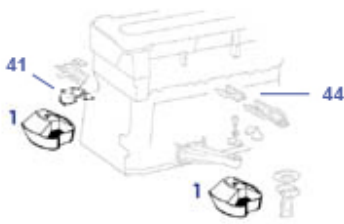


8	Distanzstück unter Pumpensieb	<a href="#">718470</a>	4,97 €	10	El. sns. oil level M116/117 FN Hella	<a href="#">718854</a>	85,50 €
10	Oil Level Sender M116/117 (late)   A1265420817	<a href="#">718454</a>	34,15 €	20	Chain, oil pump M116/117 FN	<a href="#">799029</a>	15,80 €
30	Chain, oil pump drive 300SL	<a href="#">799039</a>	15,33 €	30	Master Link, Single Chains (Cam/Pump..)	<a href="#">799038</a>	1,81 €
32	Chain tensioner, 300SL	<a href="#">718439</a>	3,12 €	35	Gear, oil pump 300SL	<a href="#">718438</a>	27,92 €
38	Seal ring	<a href="#">701397</a>	0,99 €	41	Oil pipe upper 280SL/C (.982) hex27/2	<a href="#">718209</a>	118,99 €
43	Oil pipe upper 280SL/C FN	<a href="#">718211</a>	100,75 €	50	Oil pipe 3.5/4.5 lower late hex22/2	<a href="#">718310</a>	76,64 €
50	Oil pipe 3.5/4.5 lower early hex22/22	<a href="#">718308</a>	99,00 €	52	Oil pipe 3.5 upper early hex22/2	<a href="#">718309</a>	55,72 €
52	Oil pipe 3.5/4.5 upper FN hex22/2	<a href="#">718311</a>	119,44 €	55	Oil pipe 5.0 lower early hex22/2	<a href="#">718312</a>	34,47 €
55	Oil pipe 3.8 lower,5.0 FN hex22/2	<a href="#">718314</a>	55,72 €	61	buffer membrane, oil flow	<a href="#">718355</a>	9,29 €
65	Sender, oil press meter	<a href="#">754318</a>	42,36 €	66	Alu seal ring M12, eg. eng. block@chain	<a href="#">107143</a>	0,24 €
66	Seal ring, sump plug	<a href="#">299303</a>	0,13 €	67	Sealing ring	<a href="#">207149</a>	0,88 €
69	sealing ring, aluminium 30mm	<a href="#">215032</a>	0,81 €	81	Oilfilter 300SL/M103, M102, ..., Mann	<a href="#">718041</a>	9,62 €
83	Oilfilter R/C107 except 300SL	<a href="#">718042</a>	9,31 €	84	Gasket, Oilfilter housing base to eng 117.96	<a href="#">718518</a>	2,68 €
84	Gasket, Oilfilter housing base to eng 117.96	<a href="#">718718</a>	1,99 €	85	Gasket, Oilfilter housing base to eng 103	<a href="#">718318</a>	13,23 €
87	Seal ring 14mm copper	<a href="#">207886</a>	1,08 €	87	Seal ring 14mm Alu	<a href="#">207186</a>	1,08 €



## 22, 24 Engine Mounting

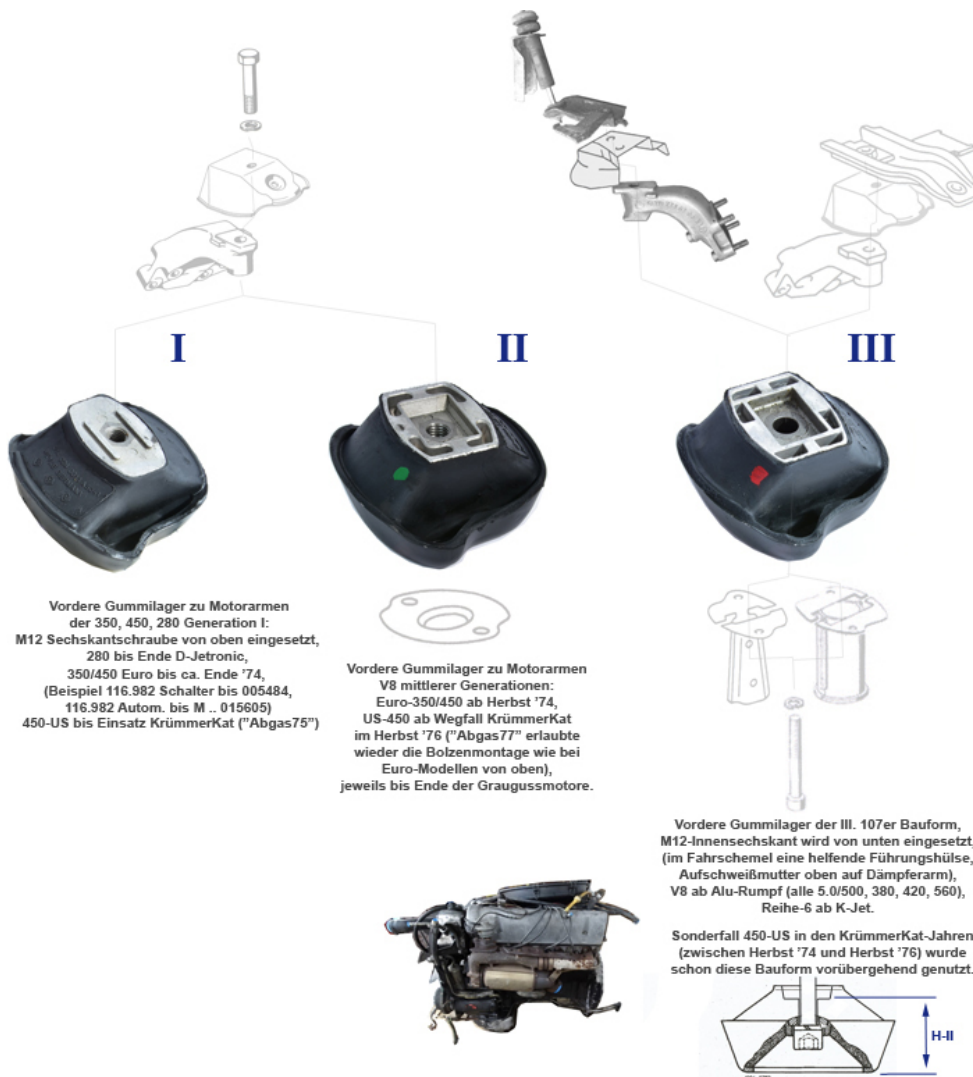
### 22, 24 a Quick guide engine rubber mounts and dampers



	hex socket head cap screw M8 X 75	<a href="#">118013</a>	1,50 €		Engine mount rt. f.e. 115, see ref-No: A1152410713	<a href="#">522025</a>	18,74 €
	engine rubber mount V8 early frt L/R meets ...1113	<a href="#">722711</a>	101,15 €		engine rubber mount frt L/R V8 early meets ...1013	<a href="#">722710</a>	79,91 €
sets	Fitting kit, for one engine damper, from 04.'78; ref.-No	<a href="#">724519</a>	19,64 €	1	Engine bearing 280SL/C ca. up to 76	<a href="#">722012</a>	18,49 €
1	Engine rubber mount 6-cyl frt L/R from ca. 06.'76	<a href="#">722715</a>	76,16 €	2	Engine mount 450SL/C, left, from ca 06-74	<a href="#">722014</a>	20,60 €
2	Engine mount V8 late (alloy eng) RH, Meyle	<a href="#">722019</a>	29,85 €	2	Motorgummilager	<a href="#">722116</a>	33,32 €
2	Engine mount V8 late RH, Meyle	<a href="#">722119</a>	33,32 €	2	Rbr frt 3.5 frm 06.74 L+R, 4.5 R only, Meyle	<a href="#">722913</a>	28,74 €
2	Eng mount 350/450, L or R ca. '75-'80, not US75/76	<a href="#">722013</a>	45,07 €	2	Engine rbr mount V8 early, Premium, ref 1072411013	<a href="#">722010</a>	105,90 €
2	Engine mount V8 late LH, Meyle	<a href="#">722016</a>	44,40 €	10	Engine mount rear, slim style, FEBI, from 07.'72	<a href="#">722021</a>	18,69 €
10	Tansmission mount see pict, FEBI, 124 div.	<a href="#">922922</a>	10,53 €	20	Engine damper total-L210mm 04.78 -> FN	<a href="#">724014</a>	39,29 €
20	Fitting kit, for one engine damper, from 04.'78	<a href="#">724819</a>	19,44 €	20	Eng.damper '81-> total L 218mm, repl'78	<a href="#">724013</a>	42,00 €
20	Engine r'damper. 06.'72-04.78	<a href="#">724011</a>	102,99 €	20	Engine r'damper. to 06.'72	<a href="#">724010</a>	66,76 €
44	bracket at engine damper left, ref.-No. A1072400940	<a href="#">724825</a>	65,00 €	51	heat protection sheet, ref.-No. A1072411134	<a href="#">722114</a>	90,44 €

### 22 b. Engine rubber mount variants

The hole pattern in the subframe, which has remained unchanged over the construction period, allows engine conversions, provided that the engine rubber mounts and engine arms are selected to match the engine. No hydromounts in type 107. Replacements of rubber bearings within a design result in slightly changed damping or height-per-load properties, as well as the differences between products. (Guideline: seat of the motor arm above support (HII) from Gen II approx. 46.5 +/-1.5 unloaded, with Gen I approx. 56.0). We look forward to receiving the most complete vehicle information possible when you make your enquiry. The height position of the engine can be easily evaluated by the fit of the fan blade in its frame, under normal load on the front axle: When sighted on the two-column lift, the engine sags slightly with the subframe, this also applies to the prop shaft alignment.



Vordere Gummilager zu Motorarmen der 350, 450, 280 Generation I: M12 Sechskantschraube von oben eingesetzt, 280 bis Ende D-Jetronic, 350/450 Euro bis ca. Ende '74, (Beispiel 116.982 Schalter bis 005484, 116.982 Autom. bis M. 015605) 450-US bis Einsatz KrümmerKat ("Abgas75")

Vordere Gummilager zu Motorarmen V8 mittlerer Generationen: Euro-350/450 ab Herbst '74, US-450 ab Wegfall KrümmerKat im Herbst '76 ("Abgas77" erlaubte wieder die Bolzenmontage wie bei Euro-Modellen von oben), jeweils bis Ende der Graugussmotore.

Vordere Gummilager der III. 107er Bauform, M12-Innensechskant wird von unten eingesetzt, (im Fahrschemel eine helfende Führungshülse, Aufschweißmutter oben auf Dämpferarm), V8 ab Alu-Rumpf (alle 5.0/500, 380, 420, 560), Reihe-6 ab K-Jet.

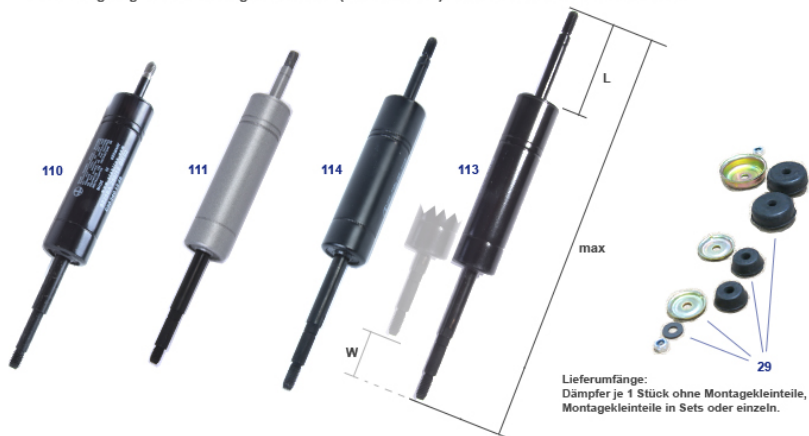
Sonderfall 450-US in den KrümmerKat-Jahren (zwischen Herbst '74 und Herbst '76) wurde schon diese Bauform vorübergehend genutzt.

I	Engine rbr mount V8 early, Premium, ref 1072411013	<a href="#">722010</a>	105,90 €	I	Engine bearing 280SL/C ca. up to '76	<a href="#">722012</a>	18,49 €
II	Eng mount 350/450, L or R ca. '75-'80, not US75/76	<a href="#">722013</a>	45,07 €	II	Engine mount 450SL/C, left, from ca 06-74	<a href="#">722014</a>	20,60 €
III	Engine mount V8 late LH, Meyle	<a href="#">722016</a>	44,40 €	III	Engine mount V8 late (alloy eng) RH, Meyle	<a href="#">722019</a>	29,85 €
	Engine mount rear, slim style, FEBI, from 07.'72	<a href="#">722021</a>	18,69 €	III	Motorgummilager	<a href="#">722116</a>	33,32 €
III	Engine mount V8 late RH, Meyle	<a href="#">722119</a>	33,32 €	II	Rbr frt 3.5 frm 06.74 L+R, 4.5 R only, Meyle	<a href="#">722913</a>	28,74 €
I	engine rubber mount frt L/R V8 early meets ...1013	<a href="#">722710</a>	79,91 €	III	Engine rubber mount 6-cyl frt L/R from ca. 06.'76	<a href="#">722715</a>	76,16 €

## 24 c. Variations of engine damper and fitment bits

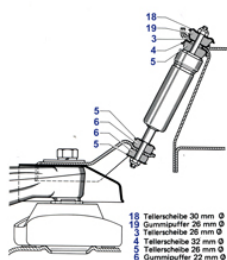
24 c. Variations of engine damper and fitment bits

Motor­dämpfer veränderten sich nicht streng nur nach Erstzulassung oder Baumuster:  
Landesauf­führungen wie Krümmer-Katalysatoren oder schleichende Baumusteraktualisierungen  
erschweren die schnelle Bestimmung. Falls Sie uns keine vollständigen Fahrzeugdaten anbieten können,  
ist die ausgezogene Gesamtlänge des Altteils (im Bild "max") die nächstbeste Identifikationshilfe.

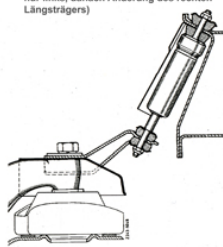


Lieferumfang:  
Dämpfer je 1 Stück ohne Montagekleinteile,  
Montagekleinteile in Sets oder einzeln.

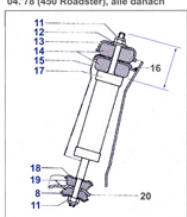
a. Anordnung mit Zapfenscheibe (4),  
ohne Hitzeschutzblech



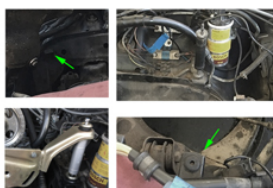
b. Anordnung mit nur 3 Tellerscheiben  
und kleinem Hitzeschutz  
(Hitzeschutz bis 05.72 aus Platzgründen  
nur links, danach Änderung des rechten  
Längsträgers)



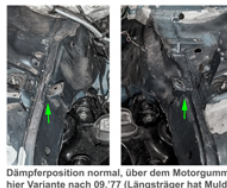
c. Anordnung mit größeren Gummi oben,  
Einführung zwischen 09.77 (280 Coupe) und  
04.78 (450 Roadster), alle danach



Der jetzt übergestülpte  
Hitzeschutz erlaubte die  
größeren Gummi. Folge:  
Motordämpfer mit verlängertem  
Kopfbolzen = 724014 und  
724013



Dämpferposition bei Krümmerkat-Typen vor:  
an Anbauteilen des Motorstirndeckels sind Haltearme.



Dämpferposition normal, über dem Motorgummilager,  
hier Variante nach 09.77 (Längsträger hat Mulde).

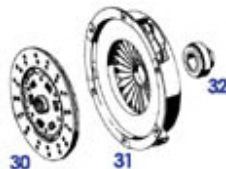


Dämpfer-Hitzeschutz in letzter Ausführung:  
über Konsole mit größeren Gummi montiert.

	washer 7,4 ref.-No. <a href="#">724074</a>	0,14 €		Fitting kit, for one engine damper, from 04.'78; ref.-No	<a href="#">724519</a>	19,64 €
4	retainer disc shim, damper, w.studs <a href="#">724025</a>	6,25 €	6	rubber grommit @ engine damper	<a href="#">824010</a>	3,88 €
11	hex.nut with non metallic insert M6, <a href="#">799812</a>	0,19 €	13	retainer disc shim, damper, large style	<a href="#">724027</a>	5,15 €
14	rubber buffer, engine dampers, large shape (D=36,5mm) <a href="#">724016</a>	1,52 €	18	retainer disc shim, damper, upper	<a href="#">724028</a>	5,15 €
19	rubber buffer, engine dampers <a href="#">724015</a>	1,82 €	29	Fitting kit, for one engine damper, from 04.'78	<a href="#">724819</a>	19,44 €

## 25,26,27,29,30 Gearbox, Clutch, Automatic, Pedal

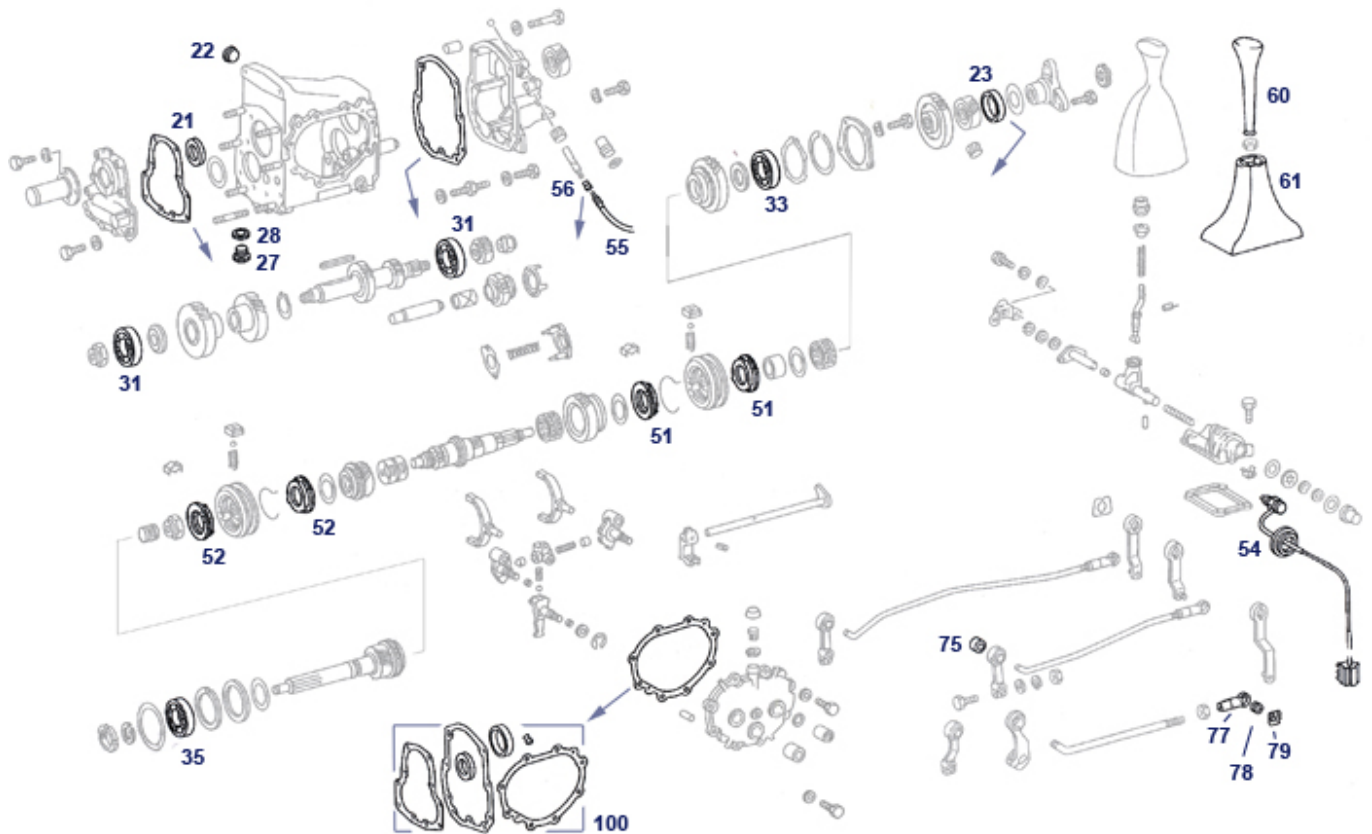
### 25 Clutch disk, if manual gearbox



	Kupplungs-Rep-Satz 280SL/C mitte <a href="#">725101</a>	321,67 €		Kupplungs-Rep-Satz 280SL/C früh <a href="#">725100</a>	314,53 €
limo	Thrust plate 228mm, leaf spring <a href="#">525002</a>	95,20 €		Universal Cap, closes hole in front of starter gear <a href="#">799279</a>	2,37 €
	clutch rep.-set, W107 - 2.8, 4gear shift, primordial version <a href="#">725103</a>	434,35 €	30	Clutch disc R113, 107-2.8 4-speed LUK <a href="#">225800</a>	158,29 €
30	Clutch disc 280SL/C, 5-speed <a href="#">725001</a>	153,55 €	30	Clutch disc 300SL, 26 teeth, / 240mm <a href="#">725011</a>	346,74 €
30	check 225800 if OK <a href="#">725801</a>	117,12 €	31	Clutch press. plate 280SL/C, S/SE/SEL <a href="#">725002</a>	128,79 €
31	Clutch press. plate 300SL <a href="#">725012</a>	171,18 €	31	clutch pressure plate <a href="#">725812</a>	194,34 €
32	T/O bearing 280SL/C, 350SL/C, see photo <a href="#">725004</a>	60,42 €	32	Clutch release bearing ref 001 250 2415, 300SL <a href="#">725014</a>	37,53 €

### 26.a 4-Speed manually, linkage&box

Picture plate related to 4-speed series (280/350), Overview of these and other series manual transmissions in the R/C107: 350SL/SLC 4-speed gearbox 716.100 = GL 76/27 A 280SL/C 4-speed 716.001 = GL 76/18 B, until August 1976 280SL/C 4-speed 716.006 = GL 76/18 D, Sept. 1976 to August 1981 280SL 5-speed 717.402 = GL 275 C, from September 1981 300SL 5-speed 717.431 = GL 76/27 B-5

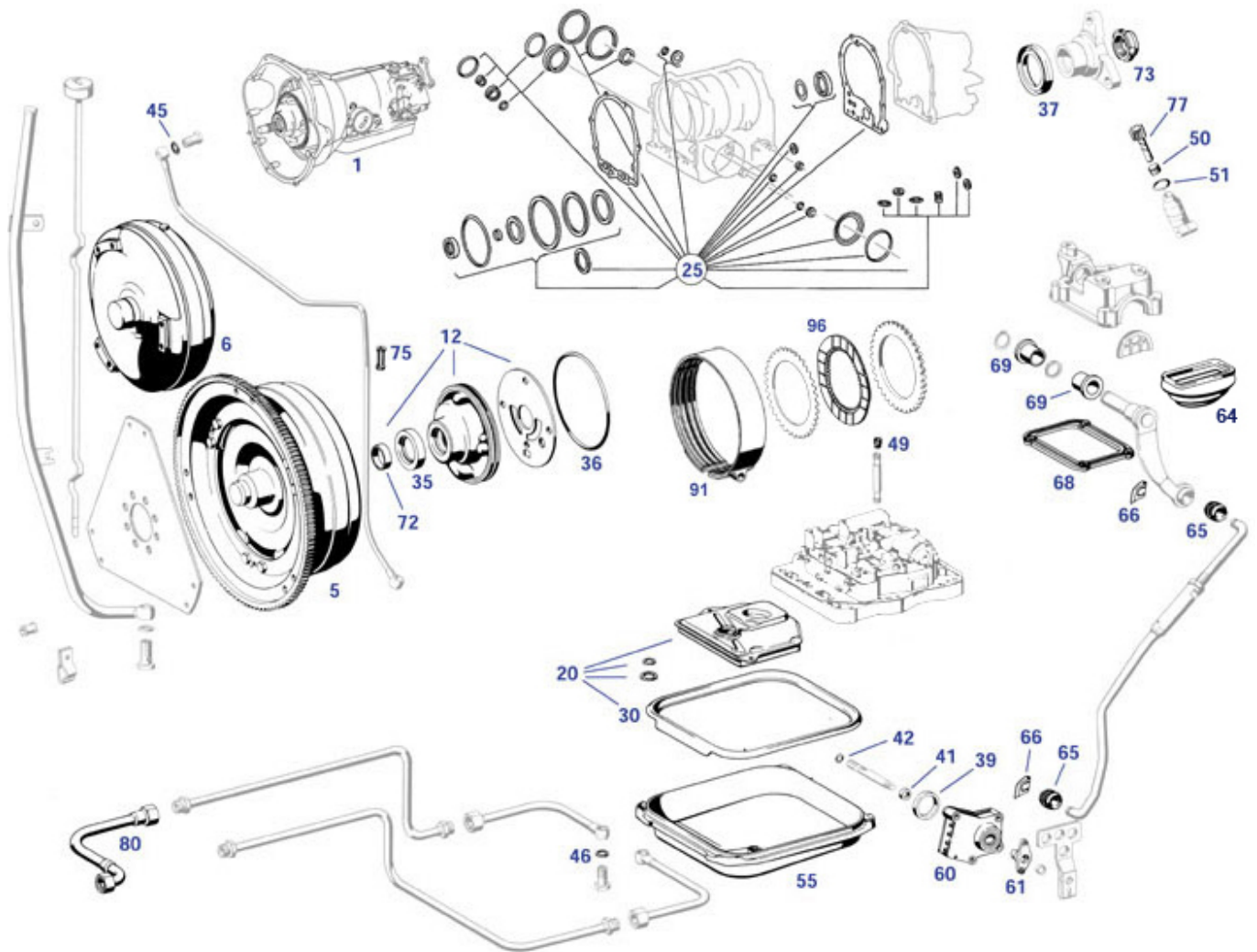


	Seal, lever mount at tunnel '85->, man+aut	<a href="#">726851</a>	3,57 €	21	Seal ring inp-shaft eg G716,717..	<a href="#">526030</a>	8,71 €
21	Seal ring input shaft eg G717 5-sp	<a href="#">926042</a>	14,35 €	22	Plug screw M22 with collar	<a href="#">114035</a>	24,61 €
24	Nut, to shaft	<a href="#">526071</a>	3,15 €	27	Plug screw with collar, M24	<a href="#">226046</a>	1,61 €
28	Seal Ring   gear box drain plug	<a href="#">226047</a>	0,44 €	31	ball bearing countershafts, 25x62x17	<a href="#">226076</a>	52,18 €
51	Synchronizer ring e.g. G717, 1152622934	<a href="#">526051</a>	27,37 €	52	Synchronizer ring 115 262 1634, OD ca 71,5	<a href="#">526052</a>	27,37 €
52	Synchronizer ring 1152623034	<a href="#">526053</a>	27,37 €	54	Reverse light switch, console shifter, ca. 69-80	<a href="#">726808</a>	59,99 €
55	Speedo cbl. 350SL/C, 4-gear LHD -->03.8	<a href="#">754105</a>	36,74 €	55	Speedo cbl. 280SL/C, 4-gear LHD -->03.8	<a href="#">754115</a>	33,05 €
55	Speedom.shaft 350SL/C RHD ,4-speed	<a href="#">754110</a>	39,07 €	58	Gasket, lever mount, 4-sp and aut ->'85	<a href="#">726850</a>	13,69 €
61	Lever bellow, rubber, design 123, fits mid.gen 107	<a href="#">726805</a>	89,25 €	75	Bushing, eg gear lever link	<a href="#">726109</a>	0,98 €
77	End piece shift linkage	<a href="#">726038</a>	6,46 €	78	Buchse, Schaltgestänge	<a href="#">726111</a>	1,08 €
79	clip, e.g. autm.-shift link	<a href="#">726045</a>	1,25 €	100	Gasket set, manual-4-speed gears FN	<a href="#">726300</a>	32,71 €

## 27.a Automatic to 03.80: K4A, W4B, W3A, W3B

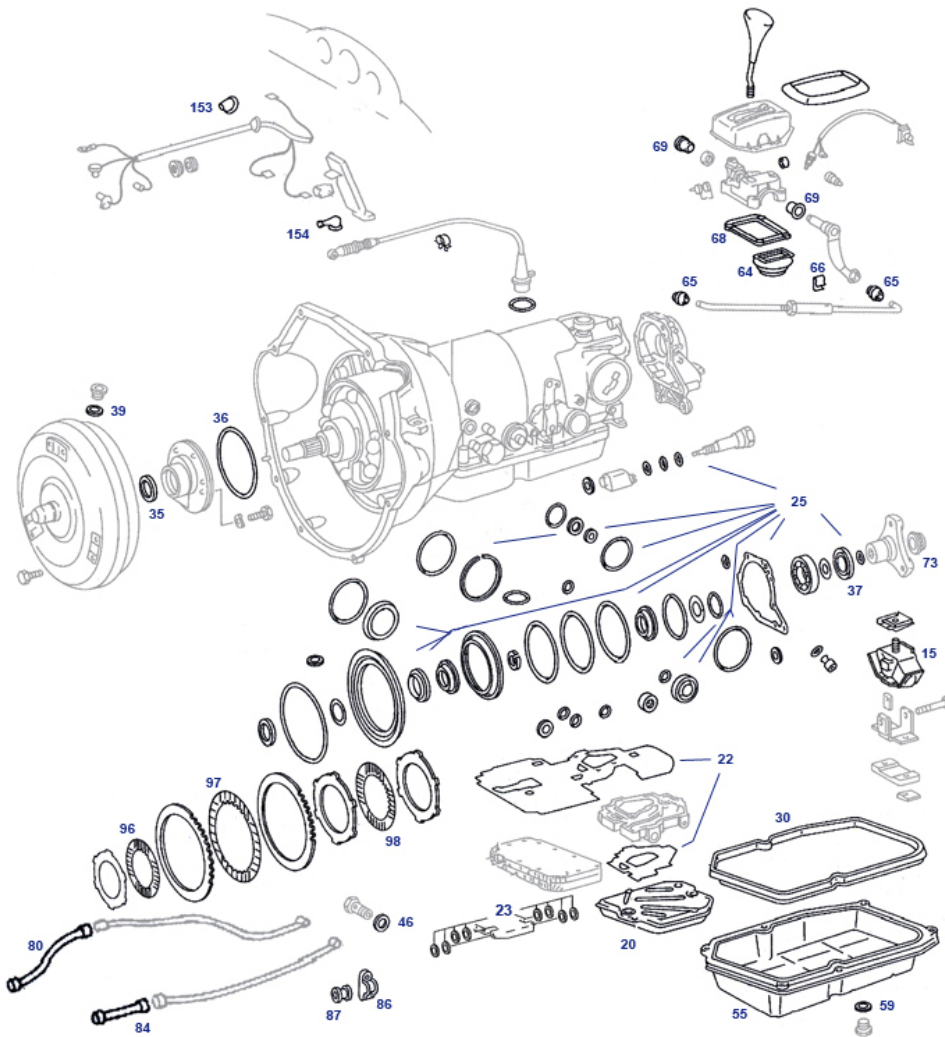
The gearbox number is, for example, stamped at the edge of the base and/or can be found on a type plate; it usually starts with the aggregate type 722.xxxx. and the country version may be relevant. For spare parts inquiries, we ask you to provide this data. Your vehicle data card also shows the transmission number at the factory delivery.





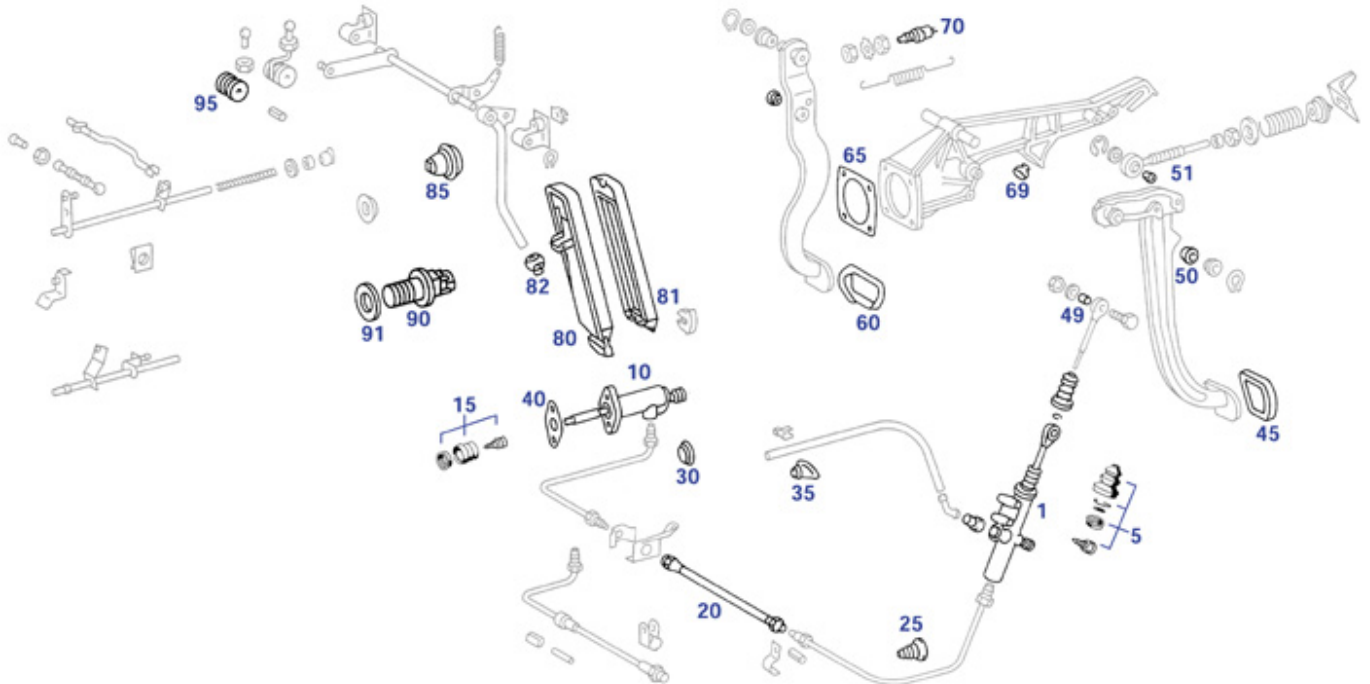
	hollow bolt M12, e.g. @autom gear lines	<a href="#">107141</a>	10,59 €	lever	Rubber surround, lever box ->'85	<a href="#">727005</a>	6,05 €
	Autom.oil filter+gasket,8-cyl->3.80	<a href="#">727802</a>	15,92 €		friction disc, auto g.b. 2.1mm e.g. W4B025	<a href="#">327225</a>	19,24 €
	friction disc (autm clutch Rev) eg W4A040	<a href="#">727239</a>	19,64 €		friction disc (autm clutch K1) eg W4A040	<a href="#">727236</a>	19,64 €
lever	Light bulb 12V/2W, BA7s	<a href="#">299079</a>	1,99 €		friction disc (autm clutch K2) eg W4A040	<a href="#">727227</a>	19,64 €
manual	End piece shift linkage	<a href="#">726038</a>	6,46 €		Gasket, Autm Oil pan from ca. 03.'80, from 722.3..	<a href="#">727304</a>	6,50 €
	Dichtring 43x58x7, FKM, Rechtsdrall	<a href="#">R7027045</a>	7,78 €	20	Copper seal ring M12 e.g. Autm transm	<a href="#">799303</a>	0,18 €
20	Auto.oilfilter 280SL/C 77->80, no seal	<a href="#">727006</a>	23,87 €	20	Autom.oil filter+gasket,8-cyl->3.80	<a href="#">727002</a>	14,99 €
20	Autom.oil filter+gasket,6-cyl->8.77	<a href="#">727003</a>	19,42 €	30	Gasket autom.-oil sump	<a href="#">727009</a>	2,20 €
35	Dichtring 44x60x8 VMQ Rechtsdrall	<a href="#">727445</a>	8,75 €	35	Seal ring,primary pump, au.	<a href="#">227045</a>	6,62 €
36	O' ring, primary pump, autm.	<a href="#">227047</a>	2,31 €	37	Oilseal ring,autom.exit,e.g. K4A040	<a href="#">727040</a>	5,26 €
41	Sealing ring, Autm. link->Grbox K4A040	<a href="#">727066</a>	3,72 €	45	Seal ring 10x13,5, Alu, e.g. sender, hollow bolts	<a href="#">227023</a>	0,50 €
46	alu seal ring M12, eg.eng.block @ chain	<a href="#">298712</a>	0,13 €	50	Seal ring speedo/rev drive	<a href="#">126039</a>	4,88 €
64	Bellows, gear shift selector, lower, up to 85	<a href="#">726007</a>	20,03 €	65	Change lever bearing, autom.	<a href="#">726110</a>	1,15 €
66	clip, e.g. autm.-shift link	<a href="#">726045</a>	1,25 €	68	Gasket, lever mount, 4-sp and aut ->'85	<a href="#">726850</a>	13,69 €
73	Nut, to shaft	<a href="#">526071</a>	3,15 €	75	Protective sleeve,vacuum pipe	<a href="#">227858</a>	5,36 €
80	Hose autm-oil ->radiator, except 300SL	<a href="#">727001</a>	46,99 €	96	friction disc 113 autom. 2.2mm	<a href="#">227225</a>	19,24 €
96	friction disc (autm clutch) eg W4B025	<a href="#">727225</a>	10,63 €	727362	Seal, kickdown solenoid	<a href="#">727362</a>	0,45 €

## 27.b Automatic from 03.80: W4A 040



	friction disc 113 autom. 2.2mm	<a href="#">227225</a>	19,24 €		friction disc, auto g.b. 2.1mm e.g. W4B025	<a href="#">327225</a>	19,24 €
console	Light bulb 12V/2W, BA7s	<a href="#">299079</a>	1,99 €		Seal, kickdown solenoid	<a href="#">727362</a>	0,45 €
	friction disc (autm clutch) eg W4B025	<a href="#">727225</a>	10,63 €		Dichtring 43x58x7, FKM, Rechtsdrall	<a href="#">R7027045</a>	7,78 €
console	Rubber surround, lever box ->'85	<a href="#">727005</a>	6,05 €	20	Autm gearbox filter,03,1980>without seal	<a href="#">727004</a>	10,44 €
23	Ring Set	<a href="#">727309</a>	111,48 €	25	Gasket kit Autm.box 722.3 ...	<a href="#">726801</a>	116,93 €
25	Gasket kit Autm gearbox 722.3 xx	<a href="#">726800</a>	175,10 €	25	Gasket kit Autom.-bos 722.324, others FN	<a href="#">726104</a>	165,84 €
28	O' ring, autom., wire actor	<a href="#">727049</a>	2,31 €	36	O' ring, primary pump, autm.	<a href="#">727047</a>	2,31 €
37	Seal ring e.g. shaft"out" W3A 040	<a href="#">627040</a>	7,31 €	55	Oil pan, Autom.transm. e.g. W4A	<a href="#">727807</a>	65,45 €
66	clip, e.g. autm.-shift link	<a href="#">726045</a>	1,25 €	68	Seal, lever mount at tunnel '85->, man+aut	<a href="#">726851</a>	3,57 €
68	Gasket, lever mount, 4-sp and aut ->'85	<a href="#">726850</a>	13,69 €	73	Nut, to shaft	<a href="#">526071</a>	3,15 €
80	hose, autm. oil at radiator 300SL RH	<a href="#">727913</a>	20,83 €	84	Autm.-oil hose, 107.041 Left side, 129.060	<a href="#">727012</a>	52,99 €
84	Autm.-oil hose, 107.041 LT, 129.060 bot	<a href="#">727812</a>	20,54 €	96	friction disc (autm clutch K1) eg W4A040	<a href="#">727236</a>	19,64 €
96	friction disc (autm clutch K1) eg W4A040	<a href="#">727736</a>	3,63 €	97	friction disc (autm clutch Rev) eg W4A040	<a href="#">727239</a>	19,64 €
97	friction disc (autm clutch Rev) eg W4A040	<a href="#">727739</a>	3,74 €	98	friction disc (autm clutch K2) eg W4A040	<a href="#">727727</a>	3,92 €

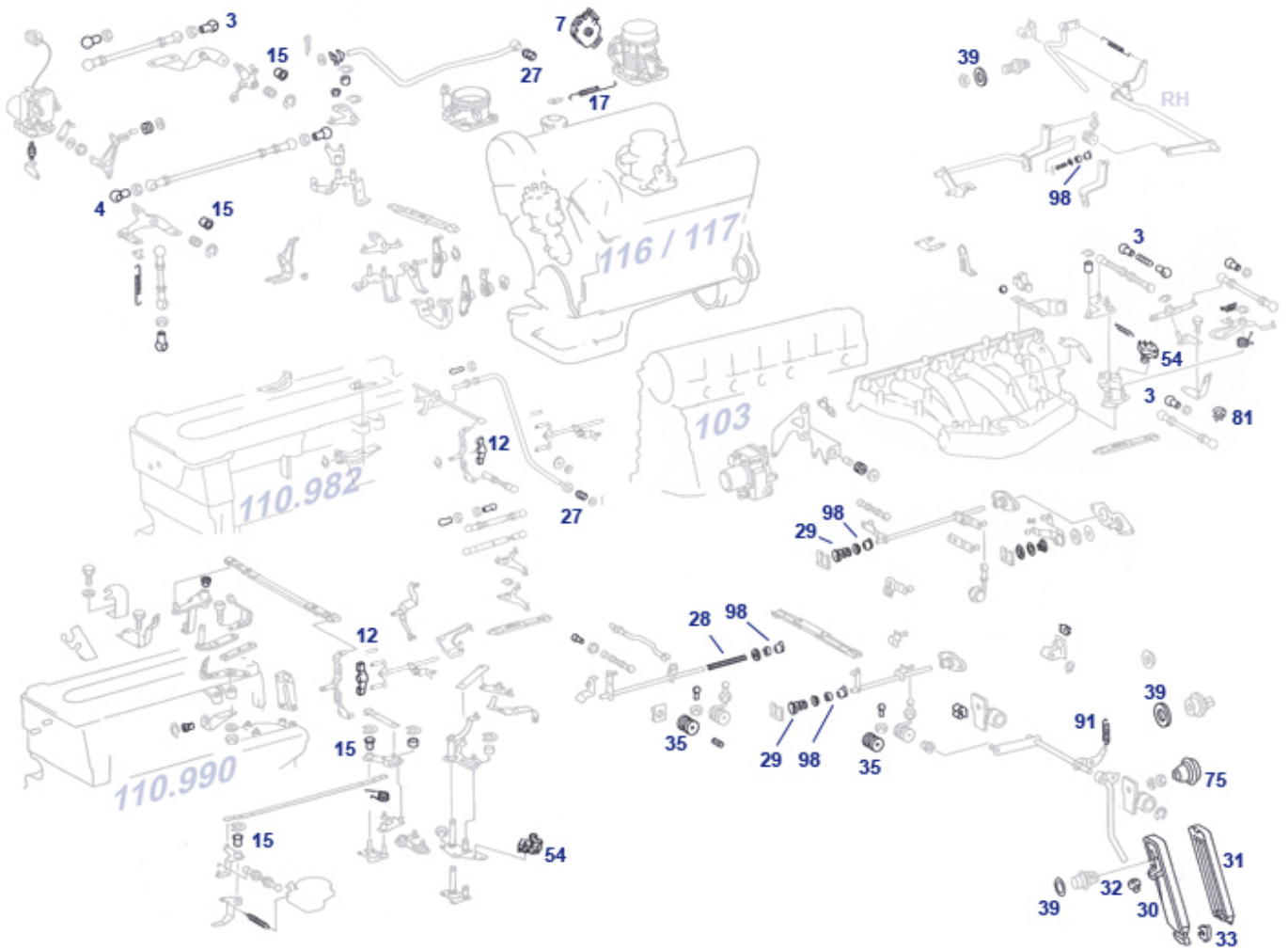
## 29 clutch hydraulic and pedals



link upper Accelerator Linkage Ball Bush fits 830998	<a href="#">830999</a>	2,44 €	link upperbushing, acc shaft with 830999	<a href="#">830998</a>	1,34 €
1 Mastercyl. 280/350SL/C early 19,05mm FEBI	<a href="#">729702</a>	30,02 €	1 Clutch mastercyl R107 6-cyl from 4.84	<a href="#">729104</a>	315,86 €
1 As long as stock lasts! Mastercyl. 280/350SL/C early 19,05mm	<a href="#">729102</a>	73,60 €	5 Rep.-Satz Geberzylinder zB 350SL/C FN	<a href="#">729034</a>	22,68 €
5 Rep.-Kit CI-mastercyl R107 from 4.84	<a href="#">729105</a>	40,36 €	5 Rep-Kit CI-M-cyl.fits 729102 (280->3.84	<a href="#">729103</a>	19,22 €
10 Slave cylinder 6-cyo from 09.'81, ATE	<a href="#">729101</a>	67,66 €	10 Slave Cyl 280SL/C ->08'81	<a href="#">729002</a>	23,56 €
15 Rep.-kit, clutch slave cyl., 350SL/C	<a href="#">729031</a>	17,95 €	15 Rep.-Satz Nehmerzylinder	<a href="#">729033</a>	30,84 €
20 Hose, clutch hydraulic	<a href="#">729107</a>	40,28 €	30 Floor/Body Panel Plug - 26mm	<a href="#">298782</a>	1,30 €
35 Grommet 6/26, 45°, e.g. hydr-line clutc	<a href="#">299001</a>	2,68 €	45 rubber, brake pedal "wide" (Autom.)	<a href="#">729805</a>	5,68 €
45 Rubber pad, brake and clutch pedal, no name	<a href="#">229005</a>	4,71 €	49 excentrical nut for clutch pedal	<a href="#">529999</a>	10,71 €
51 A1102910750 Bush, clutch return spring	<a href="#">229028</a>	23,50 €	60 Pedal rubber brake "wide" (Autom)	<a href="#">729005</a>	10,79 €
65 seal pedal bracket/firewall, ca. '68-'85	<a href="#">743028</a>	2,94 €	70 brake light swich, 4-pole, see illustration	<a href="#">954019</a>	37,26 €
80 Rest ! Acc pedal from 1975, with joint	<a href="#">730000</a>	31,00 €	81 Covering, acc pedal	<a href="#">730001</a>	9,76 €
85 Grommet, acc linkage->firewall, Repro	<a href="#">798775</a>	4,25 €	90 Rubber dust boot (at Gen. .)	<a href="#">254051</a>	3,25 €

## 30 Linkage, accell pedal to throttle

Very varied, confusing assembly: Drawing only for rough orientation, please open the tabular article display (list view with photos) in the browser below the drawing. In case of inquiries, please answer the cruise control question in addition to the VIN and engine number and/or send photos of the parts you are looking for.

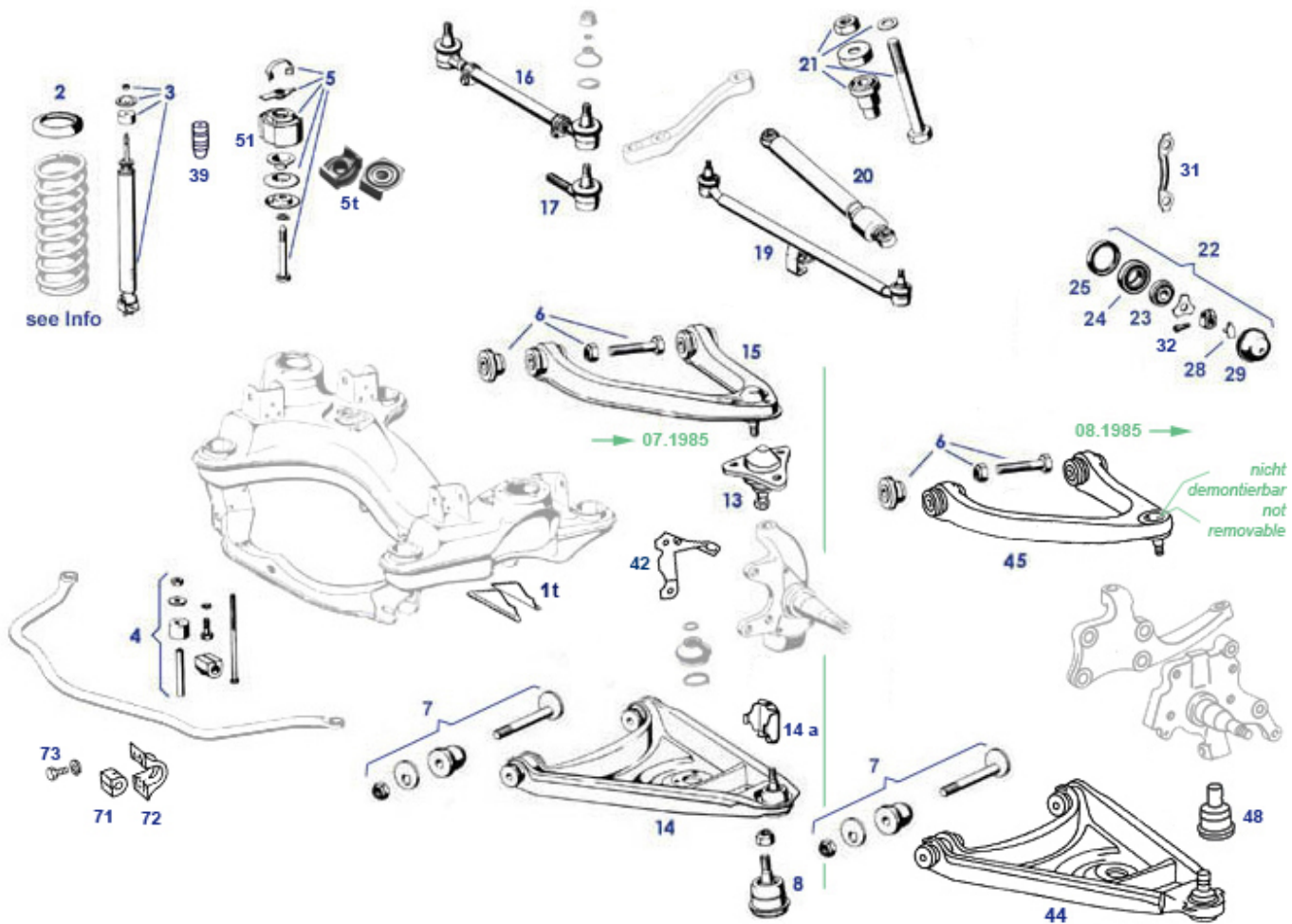


	Acc push rod, length (overall) 75	<a href="#">730062</a>	25,29 €		nylon roll für acc linkage levers with	<a href="#">207873</a>	1,96 €
	rest: panelling screw N9140310052	<a href="#">999899</a>	2,88 €	12	Joint at acc linkage M110	<a href="#">730615</a>	2,48 €
15	NI Lock disc,in. bowden cable	<a href="#">283036</a>	0,19 €	15	locking shim, acc link mounts	<a href="#">707277</a>	1,36 €
15	Bushing, acc linkage near engine	<a href="#">230015</a>	5,43 €	17	Spring, throttle flap D-Jet	<a href="#">730017</a>	6,31 €
17	Spring, throttle flap, e.g. M117 K-Jet	<a href="#">730417</a>	12,14 €	28	Spring, acc turn shaft	<a href="#">730028</a>	3,68 €
30	Rest ! Acc pedal from 1975, with joint	<a href="#">730000</a>	31,00 €	31	Covering, acc pedal	<a href="#">730001</a>	9,76 €
33	Clip, Acc pedal	<a href="#">730009</a>	1,00 €	35	Buffer ring, acc linkage (60°SH)	<a href="#">230200</a>	7,79 €
35	Buffer ring, acc linkage (60°SH)	<a href="#">230800</a>	6,39 €	75	Grommet, acc linkage->firewall, Repro	<a href="#">798775</a>	4,25 €
91	Spring, e.g. throttle linkage R113	<a href="#">199091</a>	20,29 €	92	throttle flap spring	<a href="#">730317</a>	5,40 €
98	Accelerator Linkage Ball Bush fits 830998	<a href="#">830999</a>	2,44 €	98	bushing, acc shaft with 830999	<a href="#">830998</a>	1,34 €



## 32,33 Front Axle, Suspension Springs

### 33 Front suspension



Große Modelländerung 1985, offiziell per 01.08.1985, jedoch mit Abweichungen: 280/380SL alte Radaufhängung, 300/420SL neue Radaufhängung. 500SL spätestens ab FG 034907, in Vorserie einzelne FG auch früher. Nachrüstung möglich, sofern alle Teile (Lenker bis Naben) zusammen. Die Geometrie des zentralen Achsträgers (vom "Strich Acht" stammend) ist durchgängig unverändert, erhielt aber Verstärkungen während der 107-Bauzeit und kleine Änderungen bei 280-RHD.

Erkennungszeichen Radaufhängung "früh": Dreieckslenker komplett aus Stahlblech mit demontierbaren Kugeln, die auch als Einzelteil erhältlich sind. Tausch des oberen Kugeln (Führungsgelenk einzeln) ist spezialisierten Werkstätten aufgrund der Vernietung möglich (MB verweist auf kompletten Lenker). Bremsscheibe innenseitig an der Radnabe. Für Felgen 6 1/2 x 14" ET30 oder 7 x 15" ET25 (SA11186/03).

Radaufhängung "spät": obere Lenker massiv, Kugeln nicht austauschbar (Zerlegung herstellerseitig nicht vorgesehen). Untere Lenker und Radträger in Konstruktion und Geometrie geändert. Bremsscheibe außenseitig an der Radnabe. Für Felgen 7 x 15" ET25.

Castle nut M10X1, long shape, early joint	<a href="#">133006</a>	2,38 €	Shock absorber R/C107,114-5 front, KONI - Classic	<a href="#">732103</a>	210,00 €
Nut, track rod end, self locking	<a href="#">233894</a>	1,13 €	Self locking nut M12 X 1,5	<a href="#">733113</a>	1,93 €
Wheel br. set R/C107 from 9.85	<a href="#">733181</a>	17,75 €	Upper ball joint 107->08.85, aftermarke	<a href="#">733812</a>	14,01 €
brake dust cover plate frt RH, non ABS	<a href="#">742220</a>	79,67 €	brake dust cover plate frt LH, non ABS	<a href="#">742210</a>	79,67 €
Bilstein shocker R/C107to 8.85	<a href="#">732101</a>	232,16 €	Bilstein shocker R/C107fr.9.85	<a href="#">732105</a>	208,25 €
2 Buffer, rubber, front, 18mm	<a href="#">732013</a>	6,13 €	2 Buffer, rubber, front, 23mm	<a href="#">732014</a>	8,69 €
2 Buffer, rubber, front, 8mm	<a href="#">732011</a>	14,53 €	2 rubber buffer, frt spring, 13mm	<a href="#">732812</a>	6,76 €
4 Repr.kit, torsion bar, 107 up to 08.'85, /8,.. FEBI	<a href="#">733070</a>	21,35 €	4 small rubber donut at roll bar bracket rods	<a href="#">732817</a>	2,74 €
5 Repr.kit, front sub-frame	<a href="#">758101</a>	140,47 €	5t Se 4 pcs PU fillers, fitting genuine subframe rubbers	<a href="#">733863</a>	204,15 €
5 Frt axle mount kit "Meyle"	<a href="#">758801</a>	48,61 €	6 Repr. kit, swing arm, upper in. FEBI	<a href="#">733020</a>	61,75 €
6 Front Upper Suspension Arm Bolt	<a href="#">733929</a>	3,20 €	7 Repr. kit, swing arm, lower in.	<a href="#">733030</a>	64,88 €
7a Bolt, lower ctrl arm, inner, 1pce	<a href="#">733031</a>	8,59 €	7a hex nut M14 X 1,5	<a href="#">733032</a>	1,44 €
8 Knuckle jt.(lower) 114..,107 up to	<a href="#">733110</a>	13,73 €	13 Upper Ball Joint R/C107 up. to	<a href="#">733112</a>	15,71 €



13	85 Nut, flex disc studs, ball joints	<a href="#">733822</a>	2,30 €	14	08.1985 control arm lower left ->08.85	<a href="#">733847</a>	384,00 €
14	control arm lower right ->08.85	<a href="#">733849</a>	395,90 €	14a	Limiting plate at lower ctrl arms, up to 08.'85	<a href="#">733844</a>	18,92 €
15	Swinging arm, upper, Rt. to 8.85 FEB	<a href="#">733800</a>	123,28 €	15	Swinging arm, upper, Rt. to 8.85 FEB	<a href="#">733801</a>	123,28 €
15	Swinging arm, upper, left. up to 08.1985, FEB	<a href="#">733100</a>	107,16 €	15	Swinging arm, upper, Rt. to 8.85 FEBI	<a href="#">733101</a>	107,16 €
17	Tie rod end, Lt. thread, brand MEYLE	<a href="#">233191</a>	8,60 €	17	Left Tie Rod end -"Febi"	<a href="#">233091</a>	7,25 €
17	Tie rod end, Rt. thread, brand Meyle	<a href="#">233192</a>	8,60 €	17	Right Tie Rod end -"Febi"	<a href="#">233092</a>	7,25 €
18	hex nut M10 X 1, prevailing torque type, tie rod end	<a href="#">233094</a>	1,51 €	18	Split pin 2,5 x 25, fits crown nuts seering linkage	<a href="#">133007</a>	0,24 €
18	Castle nut M10X1, thin shape, early joint	<a href="#">133706</a>	2,45 €	19	Drag Link 280-560SL/SLC FEBI	<a href="#">746180</a>	39,96 €
20	Steering damper	<a href="#">246080</a>	45,09 €	21	Steering arm repair kit from '68 FEBI	<a href="#">246062</a>	19,21 €
22	Wheel br. set "short" R/C107 from 9.85	<a href="#">733183</a>	17,75 €	22	Wheel br. set R/C107 from 9.85, 201+124 FN, FEBI	<a href="#">733081</a>	18,77 €
23	Wheel bearing, outer	<a href="#">142630</a>	4,58 €	24	Wheel bearing, inner, 06.61 -> 89	<a href="#">142580</a>	7,14 €
25	Bearing retainer ring 06.61 ->	<a href="#">142608</a>	23,75 €	25	Seal ring @ frt wheel bearings	<a href="#">142625</a>	8,88 €
25	Seal ring frt wheel bearg 1985->	<a href="#">733089</a>	3,18 €	25	Seal ring eg. frt wheel bearg.114...107	<a href="#">733082</a>	10,71 €
28	Contact	<a href="#">233078</a>	1,56 €	29	Cap, front wheel bearings 110-115, ..	<a href="#">233079</a>	7,96 €
29	Cap, wheel bearing hub '85->	<a href="#">733079</a>	1,06 €	31	locking plate, caliper frt '66-12'76	<a href="#">242008</a>	6,19 €
32	hex.socket head cap screw M7X20 fits to 233077	<a href="#">233074</a>	0,92 €	32	hex. socket head cap screw 10.9 M6 X 20,	<a href="#">233076</a>	1,08 €
33	Clamp nut   multiple cars from 1956-1985   A1203340772	<a href="#">233077</a>	32,53 €	42	bracket for brake hose front left, non-ABS	<a href="#">742999</a>	20,84 €
42	bracket for brake hose front right, non-ABS	<a href="#">742998</a>	20,84 €	44	Lower suspension arm RH, from 09.'85	<a href="#">733804</a>	398,65 €
44	Lower suspension arm LH, from 09.'85	<a href="#">733803</a>	398,65 €	45	Swinging arm, upper, Lt. fr. 08.1985, Repro	<a href="#">733846</a>	350,00 €
45	Swinging arm, upper, Rt. fr 8.1985, Repro	<a href="#">733848</a>	395,90 €	48	Knuckle jt. R/C107 lr. fr. 9.85	<a href="#">733111</a>	10,07 €
51	Rubber, front sub-frame	<a href="#">733060</a>	18,97 €	71	Rubber, anti-roll bar 107 up to 85, 114,115	<a href="#">732050</a>	11,96 €
72	bracket for torsion bar, ref-No. A1153200845	<a href="#">733078</a>	59,50 €	73	galvanized Spring washer M8	<a href="#">233059</a>	0,21 €

## 32.i Info nec. find correct Spring

## Fahrwerksfedern R/C 107 und weitere Typen

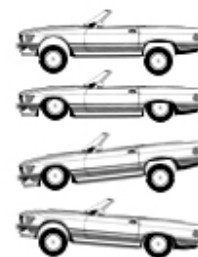
### Voraussetzung für die richtige Wahl von Fahrwerksfedern:

Fahrgestellnummer  
Bestimmungsland (Landesausführung)

#### Fahrzeugausstattung

Klimaanlage  
Klimaautomatik (andere Bewertung als Klimaanlage)  
Stahlschiebedach, elektrisch (Cpe)  
Automatikgetriebe  
Zusatzheizung (Standheizung)

Batterieposition Kofferraum  
Anhängerkupplung  
Autotelefon  
Notsitzbank (SL)  
Katalysator  
elektrische Fensterheber  
Airbag  
Stahblech-Unterschutz



Einige der oben genannten Ausstattungen gehören abhängig von Typ, Baujahr und Bestimmungsland zur Serie, wir bitten trotzdem um Angabe der Daten.

Der Bewertungsschlüssel hat sich im Laufe der Bauzeit der R/C 107 verändert, so dass eine Tabellendarstellung nicht möglich ist. SLS GmbH bietet Federn an, die von OEM Federnherstellern nach europäischen Standards in Bezug auf Gewähr und Fertigungsgenauigkeit hergestellt werden.

Aktuell produzierte Federn können in einzelnen Kriterien ( ungespannte Länge, Drahtdurchmesser oder Windungszahl ) von alten Federn abweichen. Hauptkriterien sind Federrate und Länge bei Normalbelastung. Schwankungen dieser Größen werden bei den verschiedenen Herstellern unterschiedlich (Farbstriche) gekennzeichnet und ein Ausgleich durch Variieren der Gummizwischenlage kann sinnvoll werden.

Gebrauchte Federn oder neue Federn mit Einbauspuren können nicht zurückgenommen werden.

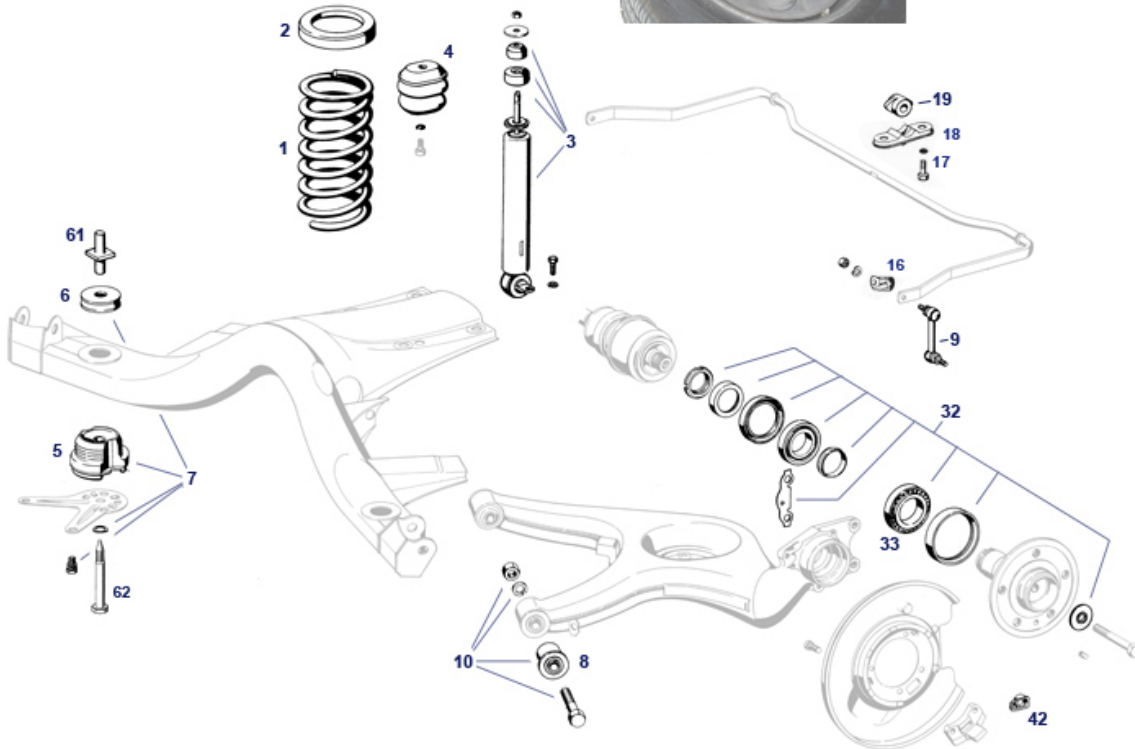
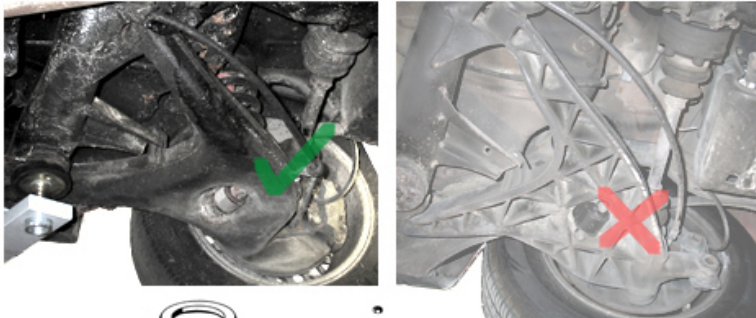
Bitte beachten Sie, dass einige Stoßdämpfersorten (insbesondere neue Gasdruck-Stoßdämpfer) eine eigene Vorspannung besitzen, die auch Einfluss auf das Fahrzeugniveau hat.

Feder zB Vorderfeder 107FN, 114FN	<a href="#">732002</a>	105,90 €	Feder zB Frt spring 6-Cyl->80 1SW/ 80->3SW 15,30	<a href="#">732005</a>	100,51 €
Feder zB Frt spring 2.8: 3SW, 3.5: 2-3SW	<a href="#">732006</a>	116,62 €	Gummi Buffer, rubber, front, 8mm zB	<a href="#">732011</a>	14,53 €
Gummi Buffer, rubber, front, 18mm zB	<a href="#">732013</a>	6,13 €	Gummi Buffer, rubber, front, 23mm zB	<a href="#">732014</a>	8,69 €
Gummi Rubber distancer 14mm, rr upper zB	<a href="#">732022</a>	7,35 €	Gummi Rubber distancer 19mm, rr upper zB	<a href="#">732023</a>	5,91 €
Feder zB Spring, rear R/C 107 350mm	<a href="#">732090</a>	107,04 €	Feder zB Spring, rear 300SL	<a href="#">732092</a>	112,76 €

## 35 Rear Axle

### 35.b Wheel suspension, standard diag.ctrl.arm

35.b Wheel suspension, standard diag.ctrl.arm

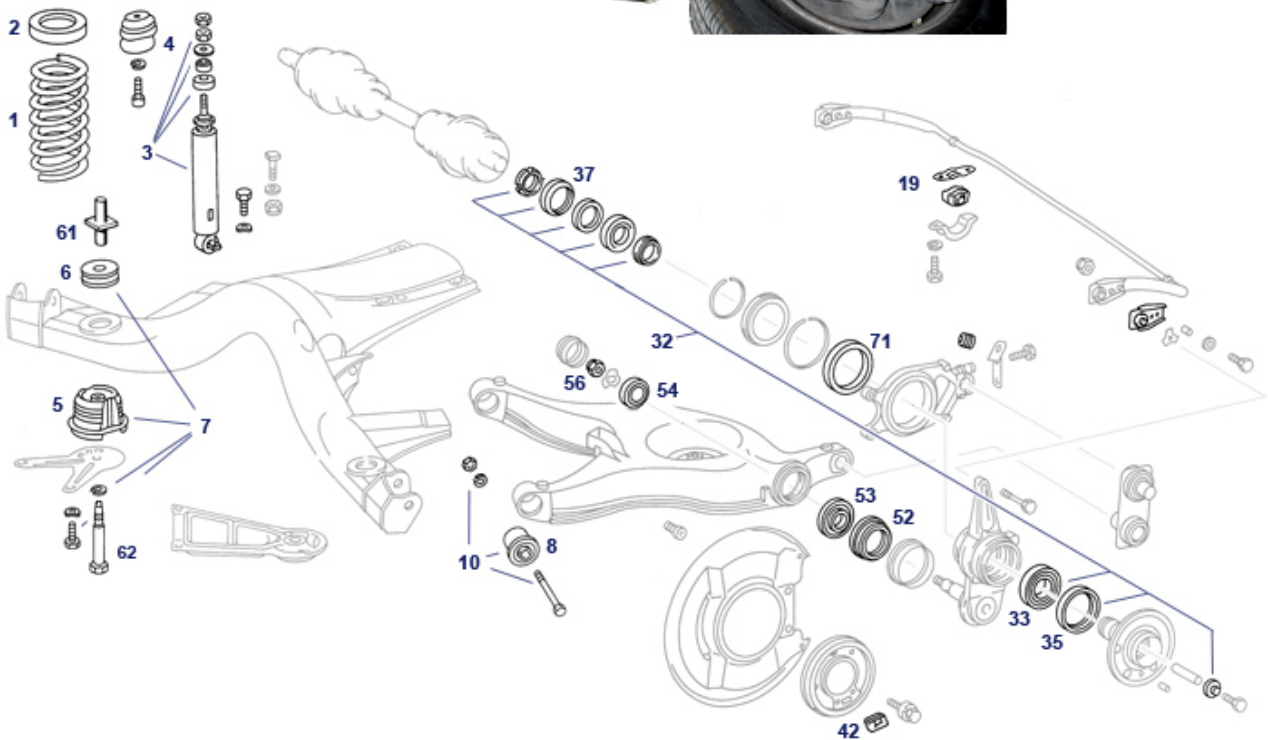


1	Spring, rear R/C 107 350mm	<a href="#">732090</a>	107,04 €	1	Spring, rear, some 420/500/560, data required	<a href="#">732094</a>	130,00 €
1	Spring, rear 300SL	<a href="#">732092</a>	112,76 €	2	Rubber distancer 14mm, rr upper	<a href="#">732022</a>	7,35 €
2	Rubber distancer 19mm, rr upper	<a href="#">732023</a>	5,91 €	3	Bilstein shocker R/C107 rear	<a href="#">732111</a>	236,20 €
3	Shock absorber R/C107, 114-5 rear, KONI - Classic	<a href="#">732113</a>	174,99 €	4	Rebound buffer, rear axle	<a href="#">732880</a>	7,58 €
4	Rebound buffer, rear axle	<a href="#">732080</a>	7,89 €	5	Rubber mount rr axle, SL only	<a href="#">735820</a>	71,79 €
6	Rubbershim, rear axle	<a href="#">735021</a>	7,79 €	7	Repr. kit, rear subframe 114...123, 107-Cpe, MEYLE	<a href="#">735022</a>	62,89 €
7	Repr. kit, rear subframe 114...123, 107-Cpe, FEBI	<a href="#">535022</a>	38,02 €	8	Rubber bush, swing arm	<a href="#">735064</a>	7,01 €
9	Linkage, rear torsion bar	<a href="#">732085</a>	9,63 €	10	Rep-kit rr ctrl arm bushings, brand FEBI	<a href="#">733213</a>	18,97 €
10	Rep-kit rr ctrl arm bushings galvanized	<a href="#">733813</a>	31,00 €	15	M12-127 lock washer	<a href="#">235316</a>	0,26 €
15	Spring washer M8	<a href="#">233059</a>	0,21 €	15	Nut, flat style, zined, pedals, kardan.	<a href="#">129073</a>	1,49 €
17	Screw, bumper bracket	<a href="#">288116</a>	0,76 €	17	M12 DIN 127 lock washer	<a href="#">233042</a>	0,39 €
17	Hex head screw, fine thread M12X1,5X25	<a href="#">733979</a>	1,31 €	18	bracket for rear torsion bar, ref-No. A1073260826	<a href="#">733074</a>	38,95 €
19	rbr mount, rear standard axle torsion bar	<a href="#">732760</a>	19,99 €	32	Kit, wheel bearing, rear, 107 , 115-126	<a href="#">733085</a>	40,28 €
33	Roller bearing SKF, e.g. wheel rr outer 107, diff. div...	<a href="#">735005</a>	59,49 €	35	Seal ring rr.whl.bearg., outer	<a href="#">735226</a>	6,97 €
37	Shaft seal ring rr.whl. bearing	<a href="#">735225</a>	5,77 €	38	Spacer ring at the rear wheel	<a href="#">735228</a>	4,12 €

42	Grommet, rear brake wires @ axle/anchor	<a href="#">742059</a>	3,99 €	61	bearing bushing rear axle mounting	<a href="#">761168</a>	24,24 €
62	Schraube M10x20 feuerverz.	<a href="#">799949</a>	1,75 €	62	spring lock washer A16	<a href="#">235321</a>	0,52 €

### 35.c Rear control arm, type interlinked hub

35.c Rear control arm, type interlinked hub

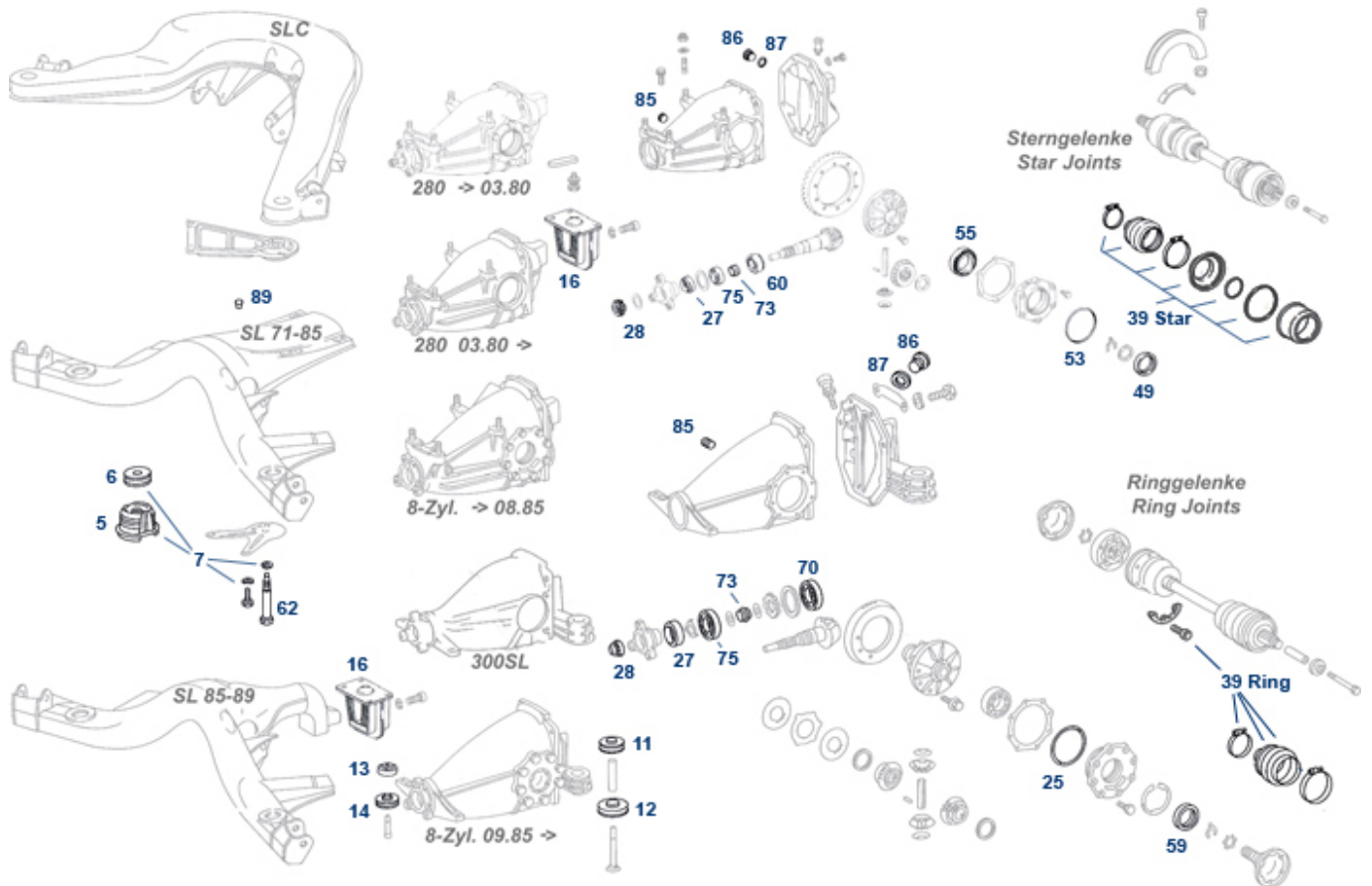


	galvanized Spring washer M8	<a href="#">233059</a>	0,21 €		Scheibe an Radlager	<a href="#">735163</a>	4,01 €
	Spacer ring at the rear wheel bearing	<a href="#">735228</a>	4,12 €		Screw, bumper bracket	<a href="#">288116</a>	0,76 €
1	Spring, rear R/C 107 350mm	<a href="#">732090</a>	107,04 €	1	Spring, rear 300SL	<a href="#">732092</a>	112,76 €
1	Spring, rear, some 420/500/560, data required	<a href="#">732094</a>	130,00 €	2	Rubber distancer 14mm, rr upper	<a href="#">732022</a>	7,35 €
2	Rubber distancer 19mm, rr upper	<a href="#">732023</a>	5,91 €	3	Bilstein shocker R/C107 rear	<a href="#">732111</a>	236,20 €
3	Shock absorber R/C107, 114-5 rear, KONI - Classic	<a href="#">732113</a>	174,99 €	4	Rebound buffer, rear axle	<a href="#">732080</a>	7,89 €
4	Rebound buffer, rear axle	<a href="#">732880</a>	7,58 €	5	Rubber mount rr axle, SL only	<a href="#">735820</a>	71,79 €
6	Rubbershim, rear axle	<a href="#">735021</a>	7,79 €	7	Repr. kit, rear subframe 114...123, 107-Cpe, FEBI	<a href="#">535022</a>	38,02 €
7	Repr. kit, rear subframe 114...123, 107-Cpe, MEYLE	<a href="#">735022</a>	62,89 €	8	Rubber bush, swing arm	<a href="#">735064</a>	7,01 €
10	Rep-kit rr ctrl arm bushings	<a href="#">733813</a>	31,00 €	10	Rep-kit rr ctrl arm bushings, brand FEBI	<a href="#">733213</a>	18,97 €
19	Hex head screw, fine thread M12X1,5X25	<a href="#">733979</a>	1,31 €	19	bracket, upper, for rr torsion bar, sway-link axles	<a href="#">733077</a>	28,20 €
32	Kit, wheel bearing, rear, 107, 115-126	<a href="#">733085</a>	40,28 €	33	Roller bearing SKF, e.g. wheel rr outer 107, diff. div,...	<a href="#">735005</a>	59,49 €



35	Seal ring rr.whl.bearg.,outer	<a href="#">735226</a>	6,97 €	37	Shaft seal ring rr.whl. bearing	<a href="#">735225</a>	5,77 €
52	seal ring rr ctrl link	<a href="#">735162</a>	8,71 €	53	Wheel bearing, inner, 06.61 -> 89	<a href="#">142580</a>	7,14 €
54	Wheel bearing, outer	<a href="#">142630</a>	4,58 €	56	Nut, wheel link rear	<a href="#">735164</a>	3,82 €
61	del-t: special bolt rr shockers @ 126-design-axle	<a href="#">732061</a>	37,49 €	62	Schraube M10x20 feuerverz.	<a href="#">799949</a>	1,75 €
62	spring lock washer A16	<a href="#">235321</a>	0,52 €	62	M12-127 lock washer	<a href="#">235316</a>	0,26 €
62	Hex screw with tip and fine thread	<a href="#">735209</a>	21,72 €	63	bushing rear axle mounting	<a href="#">761168</a>	24,24 €

## 35.d Differential gear + drive shafts

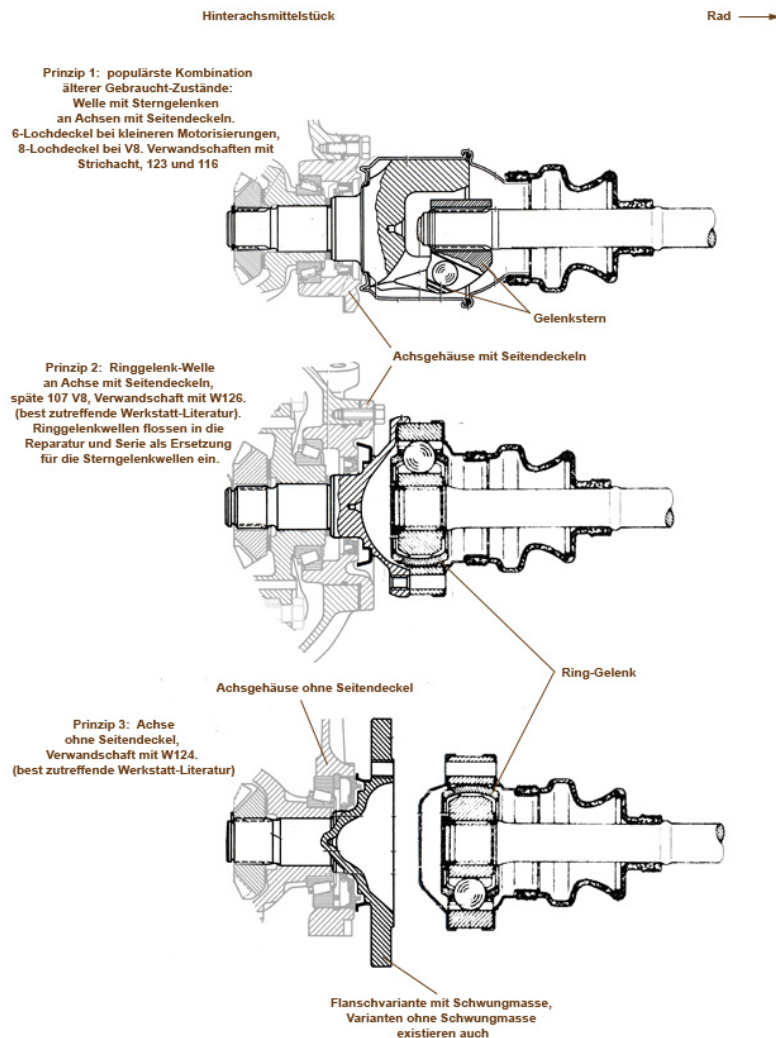


replaced	Drive shaft, replaced version "123-style", star joints	<a href="#">735280</a>	604,15 €	ABS	O-Ring ABS-sensor rear axle	<a href="#">735243</a>	0,98 €
replaced	Drive shaft fits 107 350 3310 / 4310	<a href="#">735275</a>	457,70 €	replaced	Drive shaft, nominal L 627mm, ring joints	<a href="#">735350</a>	165,01 €
	Repr. kit, rear subframe SL107	<a href="#">735842</a>	211,80 €		Plug screw M22 with collar	<a href="#">114035</a>	24,61 €
5	Rubber mount rr axle, SL only	<a href="#">735820</a>	71,79 €	6	Rubbershim, rear axle	<a href="#">735021</a>	7,79 €
7	Repr. kit, rear subframe 114...123, 107-Cpe, MEYLE	<a href="#">735022</a>	62,89 €	7	Repr. kit, rear subframe 114...123, 107-Cpe, FEBI	<a href="#">535022</a>	38,02 €
11	Rubber bush, diff.,rr.up.,from '85	<a href="#">735036</a>	14,48 €	12	Rubber bush, diff.,rr.lr.,from 09.'85	<a href="#">735037</a>	23,79 €
13	Rubber bush, diff.,fr.up.,from 09.'85	<a href="#">735038</a>	21,19 €	16	Diff. Support, all from 12.'72. early models see info	<a href="#">735030</a>	53,37 €
16	Hex bolt M8 x 30	<a href="#">915057</a>	1,14 €	25	O' Ring, diff. housing	<a href="#">735210</a>	1,46 €
27	Seal ring, diff. pinion shaft, div MB 73-98	<a href="#">735015</a>	10,14 €	27	Seal Ring -> Differential Entry "FEBI"	<a href="#">535015</a>	9,65 €
28	Nut,diff.end,350/450SL/C FN&	<a href="#">735230</a>	2,93 €	39 Ring	Manschette innen,RINGGELENK (6xM10)	<a href="#">735218</a>	26,75 €
39 Ring	Manschette innen,RINGGELENK 350-420 M12	<a href="#">735133</a>	38,45 €	39 Star	bellow, shaft inner, fits "star"-joint	<a href="#">735131</a>	9,66 €
39 Star	Repr. kit, drive shaft sleeve, star-typ, incl. bowls	<a href="#">735130</a>	19,04 €	39 Star	Repr. kit, drive shaft sleeve	<a href="#">733218</a>	19,31 €
39 Ring	Repr. kit, drive shaft sleeve inner, 500/560 "Ring"	<a href="#">735832</a>	6,49 €	39 Ring	Shaft bellow, (no Set), MEYLE	<a href="#">735939</a>	10,17 €
49	Seal ring Diff / rr axle shaft	<a href="#">735221</a>	7,65 €	49	seal ring	<a href="#">735222</a>	24,97 €
53	Seal ring diff-out L/R 114/107 2.8	<a href="#">535210</a>	1,29 €	55	taper roller bearing, diff, 280FN,	<a href="#">735039</a>	30,94 €



55	FN Roller bearing SKF, e.g. wheel rr outer 107, diff. div,...	<a href="#">735005</a>	59,49 €	55c	300 Shim ring 1.0mm, diff early 107	<a href="#">735850</a>	25,49 €
55c	Shim ring 0.5 mm, diff early 107	<a href="#">735855</a>	30,35 €	55c	Shim ring 0.2 mm, diff early 107	<a href="#">735852</a>	25,49 €
55d	Shim ring 1.0mm, diff early 107	<a href="#">735870</a>	9,10 €	55d	Shim ring 0.5mm, diff early 107	<a href="#">735875</a>	9,10 €
55d	Shim ring 1.0mm, diff early 107	<a href="#">735872</a>	9,10 €	59	Seal ring rr axle->drive shafts FN	<a href="#">735220</a>	9,75 €
59	Seal ring Diff axle shaft 45 x 85,3	<a href="#">735223</a>	8,04 €	60	Bearing, pinionshaft, rear	<a href="#">235818</a>	35,33 €
62	Hex screw with tip and fine thread	<a href="#">735209</a>	21,72 €	70	Bearing diff @ pinion	<a href="#">735018</a>	55,16 €
73	spacer sleeve, diff. 250-280S/SE/SEL/SL, FEBI	<a href="#">235809</a>	4,93 €	75	Bearing pinion shaft front	<a href="#">735011</a>	47,59 €
85	Plug screw M24 conical, no collar	<a href="#">114025</a>	8,98 €	85	O-Ring ABS-sender @ diff housing	<a href="#">735242</a>	1,33 €
86	Plug screw with collar, M24	<a href="#">226046</a>	1,61 €	87	Seal Ring   gear box drain plug	<a href="#">226047</a>	0,44 €
89	Rubber plug 12mm	<a href="#">798746</a>	1,44 €	91	M12-127 lock washer	<a href="#">235316</a>	0,26 €
91	hex head screw M10 X 20, 10.9 zinc plated	<a href="#">235315</a>	1,40 €	91	hex.head screw M10 X 25 AF16	<a href="#">735942</a>	1,10 €

## 35.g Info drive shafts



stern	Repr. kit, drive shaft sleeve	<a href="#">733218</a>	19,31 €	stern	Repr. kit, drive shaft sleeve, startyp, incl. bowls	<a href="#">735130</a>	19,04 €
stern	bellow, shaft inner, fits "star"-joint	<a href="#">735131</a>	9,66 €	ring	Manschette innen,RINGGELENK 350-420 M12	<a href="#">735133</a>	38,45 €
ring	Manschette innen,RINGGELENK (6xM10)	<a href="#">735218</a>	26,75 €	stern	Drive shaft, replaced version "123-style", star joints	<a href="#">735280</a>	604,15 €
ring	Shaft bellow, (no Set), MEYLE	<a href="#">735939</a>	10,17 €	ring	Drive shaft, nominal L 627mm, ring joints	<a href="#">735350</a>	165,01 €
stern	Drive shaft fits 107 350 3310 / 4310	<a href="#">735275</a>	457,70 €	ring	Repr. kit, drive shaft sleeve inner, 500/560 "Ring"	<a href="#">735832</a>	6,49 €

lock, drive shafts in differential

[735934](#)

1,35 €

stern

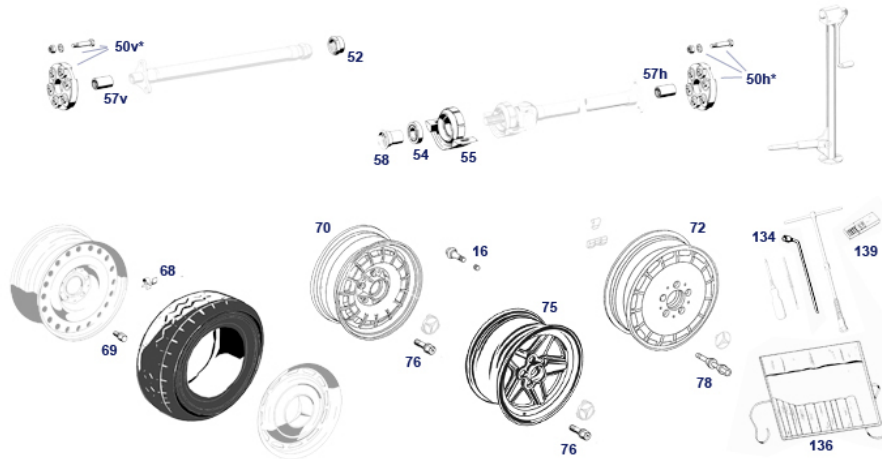
Repr. kit, drive shaft sleeve, startyp, incl. bowls

[735830](#)

27,02 €

## 40,41 main prop shaft, wheels

R/C107 were factory-equipped with the tire width 205mm, until 1985 with height 70 on wheels 6.5R14, from front axle MOPF 1985 with height 65 on wheels 7.0R15. The technical axle relationship before 1985 with W115/116 and from MOPF 1985 with W126, always pitch circle 112/hub66,5 holds out the prospect of mounting larger accessory wheels with parts certificates, however, there are neither ABE nor MB approvals for this, but the very tight space conditions at the front must always be checked by a technical inspection center for registration. .Please note that wheel bolts must be compatible with the rim, for this there are SLS-YouTube videos and a catalog table in <https://www.sls-hh-shop.de/main/de/mercedes-w111-w108-w114-40-radbolzen-nach-gesamtlänge> The Hardy disc table shown here is valid for factory combinations of transmissions and axles: Unit conversions may entail adjustments to the cardan shaft.



### \* 50v, 50h Zuordnung der Hardyscheiben / Flex.Discs

Typen **ohne** Änderungstermine, eindeutige Einbauübersicht  
Types with no changes, uniqueness purpose chart

	vorn/front	hinten/rear
350SL/SLC	741000	741000
450SL/SLC und 5.0, 420/500/560SL (= alle mit M117)	741120	741120
300SL	741010	741003

Typen **mit** Änderungsterminen, FG oder Altteil vergleichen  
Types with changes, pls. compare VIN or old part

	vorn/front	hinten/rear
380SL/SLC früh, bis ca. 08.1980	741000	741000
380SL/SLC spät, ab ca. 09.1980*	741120	741120
* Cab ab 001194, Cpe ab 000839		
280SL/SLC Automatic bis ca. 06.1980	741000	741000
280SL/SLC Automatic ab ca. 07.1980	741002	741000
280SL/SLC Schaltgetr. bis ca. 06.1980	741000	741000
280SL/SLC Schalt. ca. 07.1980 bis 08.1981	741002	741000
280SL Schaltgetr. ca. 09.1981 bis 03.1984	741001	741001
280SL Schaltgetr. ca. 04.1984 bis Auslauf	741001	741000

Der unveränderte Lochkreisdurchmesser bei allen 280SL/SLC würde eine Vereinfachung der Zuordnung erlauben, allerdings variieren einige Scheibendicken und die Werkstattliteratur verweist in den Zuordnungen auf Variantenänderungen bei den Zentrierhülsen.  
Bitte ziehen Sie zu Vergleichszwecken das Altteil heran.

Sortiert nach technischen Merkmalen von Hardyscheibe oder Bolzen weitere Erkennungszeichen







LK90, schmale, symmetrische Bauform, Buchsenlänge 26	Gummidicke 15/22	741000
LK90, Sonderform "Schubweich", ohne Stahlscheiben	Sternanordnung nicht gleichwinklig	741002
LK90, Zug-/Schubweich, Bolzenset-L 50+60	Formscheiben an den Hülsen	741001
LK90, Zug-/Schubweich, Bolzenset-L 55+60	Formscheiben an den Hülsen	741010
LK90, symmetrische Bauform, Buchsenlänge 28,5mm	Gummidicke 17/24,5	741003
LK110, großer Durchmesser	Bolzen M12	741120

retaining ring @ propeller shaft, ref.-No. N900055030200	<a href="#">741123</a>	1,20 €	wheel bolt, total 86mm, zinc plated, without chrome cap	<a href="#">740807</a>	10,53 €
alloy rim, repro. flatface design, Maxilite 8 X 17"	<a href="#">940817</a>	341,53 €	alloy rim, repro. flatface design, Maxilite 8 X 16"	<a href="#">940816</a>	296,91 €
Set prop shaft disc, M117 models + 380from VIN	<a href="#">741710</a>	60,69 €	hex nut M12 fine, locking, flat shape	<a href="#">741048</a>	0,57 €
wheel bolt for MB rim R107 from Sept. 1985	<a href="#">740514</a>	4,14 €	Alloy rim 7 x 15, design meets 15-hole '85->	<a href="#">740709</a>	269,99 €
Set 20 Bolt, fits Retrofit-wheels	<a href="#">740805</a>	51,29 €	Alloy rim Maxilite "Barock" 6x14 ET 30	<a href="#">240808</a>	196,35 €
bolt, piece, fits alloy rim 300-500SL, 09.1985->	<a href="#">740004</a>	13,33 €	Rest: valve	<a href="#">740034</a>	3,50 €
16 Valve, tyre, metal, fits Fuchs-Baroque	<a href="#">240033</a>	69,90 €	16 valve cap, black	<a href="#">740035</a>	0,07 €
40 Reifen 205/70 R 14 H "Maxxis"	<a href="#">340036</a>	196,35 €	48 Washer 13mm e.g. prop shaft disc bolts	<a href="#">741122</a>	0,50 €

49	Nut, flex disc studs, ball joints	<a href="#">733822</a>	2,30 €	50v	Set prop shaft disc, M117 models + 380from VIN	<a href="#">741120</a>	109,09 €
52	Nut, prop shaft, near ctr. slip joint	<a href="#">741811</a>	32,14 €	54	Ball bearing, e.g. prop shaft	<a href="#">241015</a>	10,07 €
55	Trans.shaft middle br. to 08.85	<a href="#">741018</a>	25,97 €	55	Trans.shaft middle br. fr. 08.85	<a href="#">741019</a>	17,83 €
57h	Bushing prop shaft 4.gen	<a href="#">741041</a>	31,68 €	57v	Driveshaft Centering Bushing   A1244101032	<a href="#">741042</a>	39,15 €
57h	Centering bushing, 108,111, 107:FN	<a href="#">841040</a>	33,55 €	58	plastic grommet, prop shaft Repro, ref. A 202 411 0497	<a href="#">541012</a>	3,45 €
68	spring clip for wheel cover 14" 1968->	<a href="#">240041</a>	3,13 €	69	Wheel bolt, steel wheels MB from 1967	<a href="#">240005</a>	1,59 €
70	Wheel, alloy,6.5x14 'Baroque' ET30  incl. ABE approval	<a href="#">740702</a>	199,99 €	70	Alloy rim Maxilite "Barock" 7x15", up to 07.'85	<a href="#">740008</a>	259,99 €
70	repro wheel rim 7,0 X 15 ET23	<a href="#">740705</a>	249,90 €	72	Wheel bolt fitting 740809, no longer available!	<a href="#">740574</a>	19,04 €
72	Alloy rim Maxilite 7 x 15, design meets 15-hole '85->	<a href="#">740809</a>	261,00 €	75	Alloy rim "Penta" 8x16"	<a href="#">740808</a>	299,95 €
75	Alloy rim Maxilite "AMG AERO" 9 x17	<a href="#">940819</a>	364,14 €	75	Alloy rim Maxilite "Penta" 9x16"	<a href="#">740818</a>	285,60 €
75	Alloy rim Maxilite "AMG AERO" 8 x17	<a href="#">940818</a>	327,25 €	76	Wheel bolt+cap,alloy whl.to 85	<a href="#">740005</a>	1,90 €
76	wheel bolt-set, 20pcs. M12X1,5 X25 cone hub	<a href="#">740801</a>	30,39 €	77	BARULLI -Design Rim, 7 by nearly15, depths 23 or 25 who knows	<a href="#">740777</a>	660,45 €
78	wheel stud	<a href="#">740414</a>	4,14 €	134	Wheel nut wrench, orig, latest version	<a href="#">259101</a>	23,50 €
136	Tool bag without tools	<a href="#">258806</a>	48,79 €	136	wheel mounting aid, aluminium, 100mm, M12 X 1,5	<a href="#">740210</a>	12,95 €
136	wheel mounting aid, aluminium, 130mm, M12 X 1,5	<a href="#">740213</a>	14,25 €	136	Mounting bolt for tyre service, chromed	<a href="#">259809</a>	49,24 €
741000	Repr.kit,cardan disc,rear 350 SL/C, 280/380 Chassisnumber	<a href="#">741000</a>	57,19 €	741000	Flex disc, prop shaft, no bolts	<a href="#">741111</a>	52,36 €
741001	Repr.kit,cardan disc,rear 280SL/C cn	<a href="#">741001</a>	70,07 €	741001	Flex disc, prop shaft, no bolts	<a href="#">741114</a>	51,17 €
741002	Flex disc, prop shaft, no bolts	<a href="#">741112</a>	82,11 €	741002	Repr.kit,prop-disc 2.8 autm. late	<a href="#">741002</a>	79,71 €
741003	Flex disc, prop shaft, no bolts	<a href="#">741124</a>	60,63 €	741003	Repr.kit,cardan disc	<a href="#">741003</a>	53,66 €
741010	Repr.kit,cardan disc,fr. 300SL	<a href="#">741010</a>	78,09 €	741120	Flex disc, prop shaft large M117 models + 380from VIN	<a href="#">741121</a>	74,46 €

## 40.c Rims and wheel bolts

With a special focus on R/C107, here is a tabular comparison of compatible axle generations, replica rims and wheel bolts. Maxilite and CWDenm. (ClassicWheelsDenmark) are currently leading reproducers of the old rim designs. Follow the respective lines to the right to the compatible wheel bolts. Wheel dimensions in inches width x inches in diameter, 6-digit numbers are SLS catalog numbers, 10-digit numbers can be MB spare part numbers with former or current validity. Rim details such as offset, photos, documents, set containers can be accessed by clicking on the blue digits. In the SLS catalogue figure <https://www.sls-hh-shop.de/main/de/mercedes-w111-w108-w114-/40-radbolzen-m12-nach-gesamtlaenge> there is a bolt line-up sorted purely by length and going beyond the model 107. Axle generation Rim design Dimension Manufacturer rim SLS no. Bolt SLS no. / alternative

Achsgeneration	Felgendesign	Abmessung	Hersteller	Felge-SLS-Nr	Bolzen SLS   Altern.	
<b>71-85 107 (6": 113)</b> 	<b>Barock</b> 	6 x 14 (nicht 107)	MB-Serie(Fu)	1264001902	740005	
		6 x 14 (nicht 107)	Maxilite	240808	740802	
		6 x 14 (nicht 107)	CWDenm.	240708	740005	
		6,5 x 14	MB-Serie(Fu)	1264002102	740005	
		6,5 x 14	CWDenm.	740702	740005	
		7 x 15	MB-SA	1264003702	740005	
		7 x 15	Maxilite	740008	740802   740888	
			7 x 15	CWDenm.	740705	740005
		<b>Penta</b> 	8 x 16	Maxilite	740808	740802   740888
			9 x 16	Maxilite	740818	740802   740888
		(Penta: das ursprüngliche Design reicht zurück in die Zeit der MB C111 und markenübergreifende Motorsport-Ausstattungen. Und es stellt im R/C107 zeitgenössisches Zubehör dar.)				
	<b>85-89 107</b> 	<b>Kanaldeckel</b> 	7 x 15	MB-Serie(Fu)	1264003002	740414   740814p, ...
			7 x 15	Maxilite	740809	740574 i.V.   740005
			7 x 15	CWDenm.	740709 i.V.	in Vorb.
8 x 16			Maxilite	940816	in Vorb.	
8 x 17			Maxilite	940817	in Vorb.	
		<b>Aero</b> 	8 x 17	Maxilite	940818	740007   740414, ..
			9 x 17	Maxilite	940819	740007   740414, ..
			(Aero: das ursprüngliche Design verbreitete sich durch AMG Ende der 1980er Jahre als Zubehör bei W126, 129, 124 .. und wird wegen Passung zur späten SL107-Achse hier erwähnt. Alle Räder außerhalb der sehr begrenzten MB-Freigaben sind eintragungspflichtig.)			

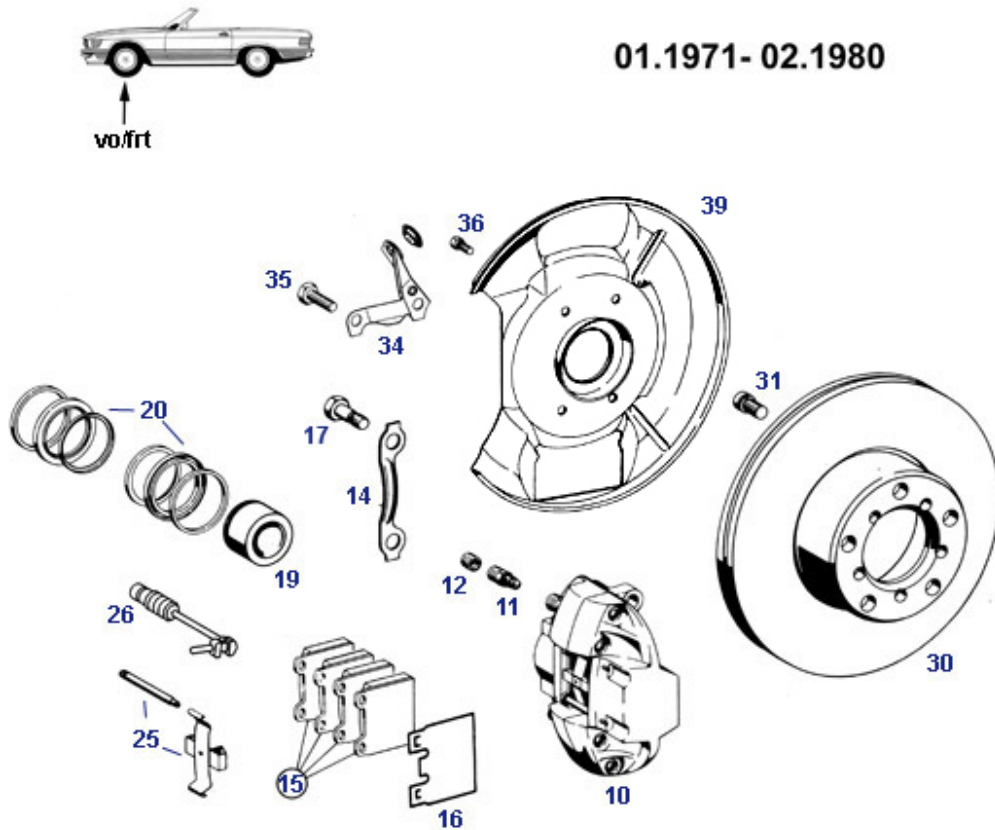
Penta: The design dates back to the days of the MB C111 and cross-brand motorsport equipment. It represents contemporary accessories in the R/C 107. Aero: The original design was spread by AMG at the end of the 1980s as an accessory on models M126, 129, 124 and is mentioned here because of its fit with the late R107 axle. All bikes outside the very limited MB clearances are subject to registration.

	Cylinder head gasket 190SL	<a href="#">101020</a>	74,90 €		BARULLI -Design Rim, 7 by nearly15, depths 23 or 25 who knows	<a href="#">740777</a>	660,45 €
240808	Alloy rim Maxilite "Barock" 6x14 ET 30	<a href="#">240808</a>	196,35 €	740005	Wheel bolt+cap,alloy whl.to 85	<a href="#">740005</a>	1,90 €
740007	wheel bolt M12X1,5	<a href="#">740007</a>	2,24 €	740008	Alloy rim Maxilite "Barock" 7x15", up to 07.'85	<a href="#">740008</a>	259,99 €
740414	wheel stud	<a href="#">740414</a>	4,14 €	740414	wheel bolt for MB rim R107 from Sept. 1985	<a href="#">740514</a>	4,14 €
740574	Wheel bolt fitting 740809, no longer available!	<a href="#">740574</a>	19,04 €	740702	Wheel, alloy,6.5x14 "Baroque" ET30  incl. ABE approval	<a href="#">740702</a>	199,99 €
740705	repro wheel rim 7,0 X 15 ET23	<a href="#">740705</a>	249,90 €	740709	Alloy rim 7 x 15, design meets 15-hole '85->	<a href="#">740709</a>	269,99 €
740802	wheel bolt-set, 20pcs. M12 x 1,5 x 20 cone hub	<a href="#">740802</a>	22,34 €	740802	Set 20 wheel bolts Maxilite, cone, L24	<a href="#">740888</a>	49,98 €
740808	Alloy rim "Penta" 8x16"	<a href="#">740808</a>	299,95 €	740809	Alloy rim Maxilite 7 x 15, design meets 15-hole '85->	<a href="#">740809</a>	261,00 €
740818	Alloy rim Maxilite "Penta" 9x16"	<a href="#">740818</a>	285,60 €	940816	alloy rim, repro. flatface design, Maxilite 8 X 16"	<a href="#">940816</a>	296,91 €
940817	alloy rim, repro. flatface design, Maxilite 8 X 17"	<a href="#">940817</a>	341,53 €	940818	Alloy rim Maxilite "AMG AERO" 8 x17	<a href="#">940818</a>	327,25 €

## 42 Brakes

### 42.c Front wheel brake up to 02.1980

42.c Front wheel brake up to 02.1980

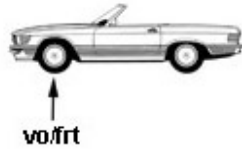


10	Caliper 01.73->08.80 front right, Budweg	<a href="#">742820</a>	144,63 €	10	Caliper 350SL/SLC front left side 1971+1972	<a href="#">742009</a>	490,65 €
10	Caliper 01.73->02.80 front left, budweg	<a href="#">742810</a>	144,63 €	10	Caliper 350SL/SLC front RH early 1971+1972	<a href="#">742019</a>	490,65 €
10	Caliper 01.73->02.80 front Lt.	<a href="#">742010</a>	455,87 €	10	Caliper 01.73->08.80 fr. Rt.	<a href="#">742020</a>	437,55 €
11	Valve, brake cyl bleeder	<a href="#">242001</a>	6,72 €	12	Bleeder valve cap, brake, steering	<a href="#">143041</a>	2,05 €
14	locking plate, caliper frt '66-12'76	<a href="#">242008</a>	6,19 €	15	Set brake pads frt. calipers '65-'72,ATE	<a href="#">242030</a>	31,12 €
15	Brk.pads 280/350/450SL/SLC frt 73-80 ATE	<a href="#">742030</a>	30,08 €	20	Rep-kit calip.frt.01.73->02.80	<a href="#">742016</a>	28,98 €
20	Brake caliper seal kit, fits ATE 66-72	<a href="#">242015</a>	47,60 €	20	Brake caliper seal kit, 66-72	<a href="#">242815</a>	20,68 €
25	Fitting kit, brake pads	<a href="#">242081</a>	9,41 €	25	Brake fittings, fr. 107+116	<a href="#">742028</a>	15,53 €
26	Wear contact, brake pad	<a href="#">742025</a>	2,52 €	34	bracket for brake hose front right, non-ABS	<a href="#">742998</a>	20,84 €
34	bracket for brake hose front left, non-ABS	<a href="#">742999</a>	20,84 €	35	fine thread screw, steering arm to steering nuckle	<a href="#">733978</a>	0,93 €
39	brake dust cover plate frt LH, non ABS	<a href="#">742210</a>	79,67 €	39	brake dust cover plate frt RH, non ABS	<a href="#">742220</a>	79,67 €

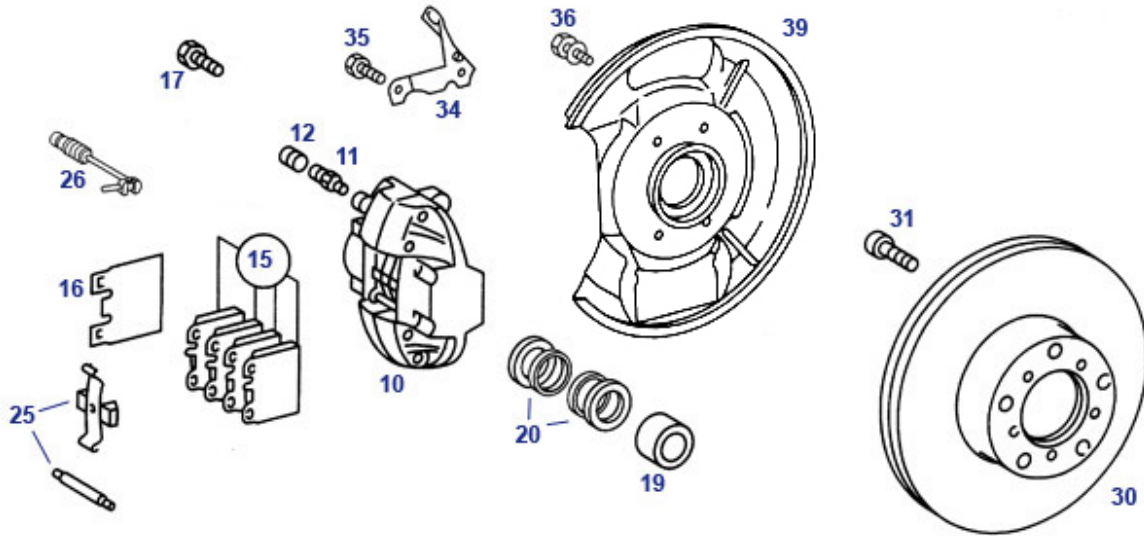
### 42.d Front wheel brake 03.1980-08.1985

42.d Front wheel brake 03.1980-08.1985





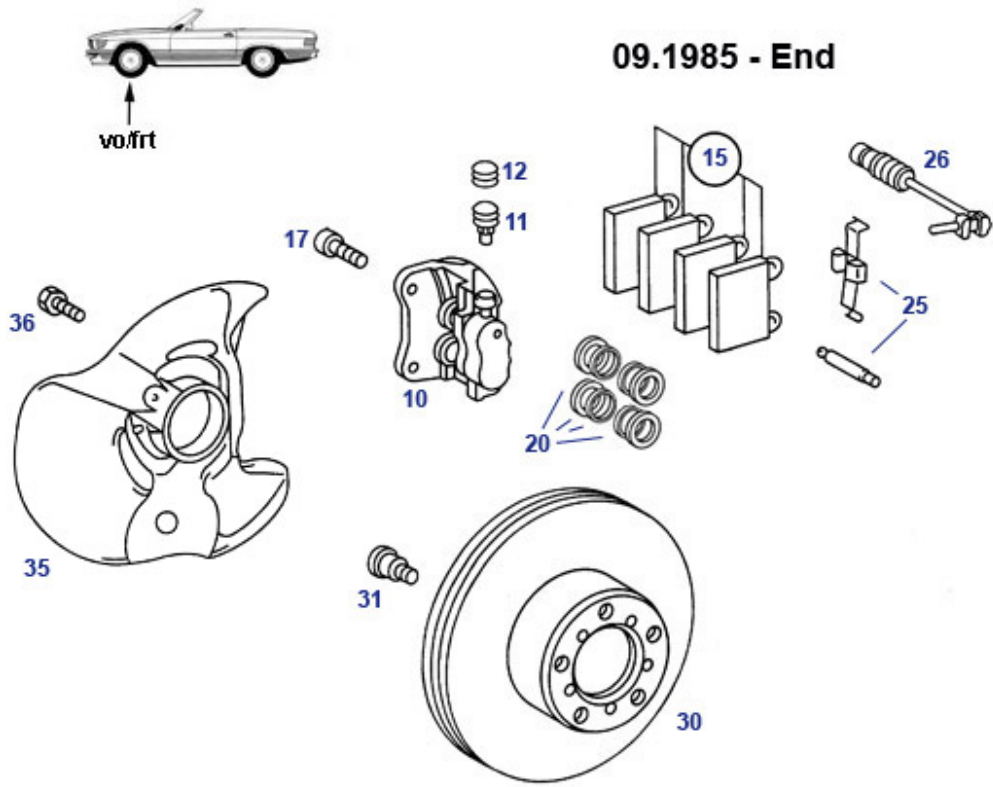
03.1980 - 08.1985



10	Caliper 03.80->08.85 front Lt. ATE	<a href="#">742011</a>	430,23 €	10	Caliper 03.80->08.85 fr. Rt. ATE	<a href="#">742021</a>	430,23 €
10	Caliper 03.80->08.85 front Left	<a href="#">742811</a>	139,13 €	10	Caliper 03.80->08.85 frront right	<a href="#">742821</a>	139,13 €
11	Valve, brake cyl bleeder	<a href="#">242001</a>	6,72 €	12	Bleeder valve cap, brake, steering	<a href="#">143041</a>	2,05 €
15	Brake pad set frt. ca. 3.'80 - 8.'85 (17mm) ATE	<a href="#">742031</a>	31,04 €	20	Caliper repr. kit,fr.03.80->08.85	<a href="#">742015</a>	27,30 €
25	Front Fitting kit, brake.pads   03.1980 ->	<a href="#">742029</a>	9,42 €	26	Wear contact, brake pad	<a href="#">742025</a>	2,52 €
34	bracket for brake hose front right, non-ABS	<a href="#">742998</a>	20,84 €	34	bracket for brake hose front left, non-ABS	<a href="#">742999</a>	20,84 €
35	fine threat screw, steering arm to steering nuckle	<a href="#">733978</a>	0,93 €	39	brake dust cover plate frt LH, non ABS	<a href="#">742210</a>	79,67 €

## 42.e Front wheel brake from 09.1985

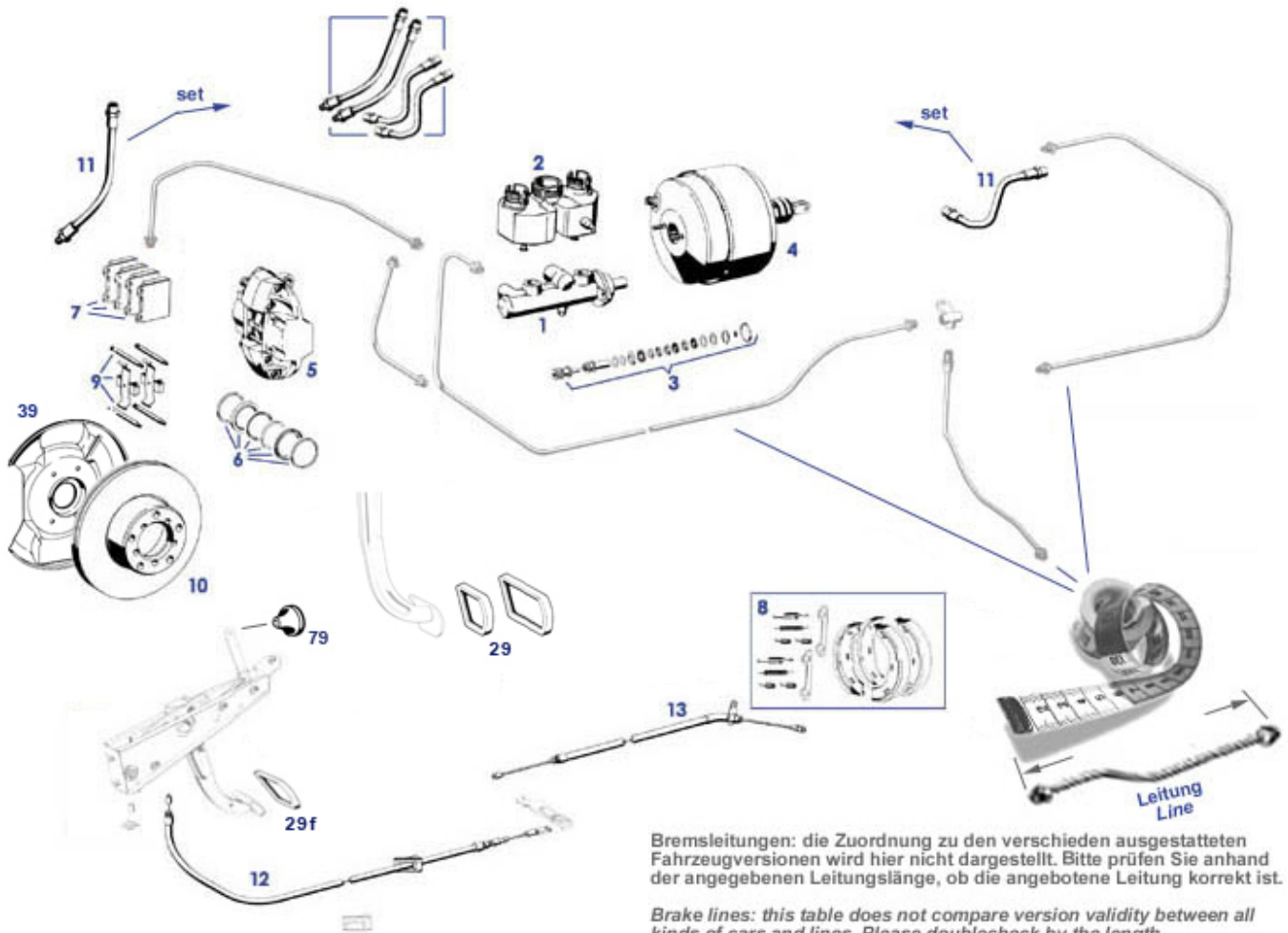
42.e Front wheel brake from 09.1985



10	Caliper 300-500SL front left side from 08.85 ATE	<a href="#">742012</a>	470,60 €	10	Cal. 300-500SL frt rt 09.85-> ATE	<a href="#">742022</a>	462,27 €
10	Caliper 300-500SL front left side from 08.85	<a href="#">742812</a>	137,30 €	10	Cal. 300-500SL frt rt 09.85->	<a href="#">742822</a>	137,30 €
11	A3075530107 Bleeder screw at booster	<a href="#">242007</a>	8,70 €	12	Bleeder valve cap, brake, steering	<a href="#">143041</a>	2,05 €
15	Brk.p.set 300-500SL, fr. fm.'85	<a href="#">742033</a>	57,67 €	20	Rep-kit, '85-> frt per caliper (4piston	<a href="#">742017</a>	65,87 €
25	Front Fitting kit, brake.pads   03.1980 ->	<a href="#">742029</a>	9,42 €	26	Wear contact, brake pad	<a href="#">742025</a>	2,52 €
31	Sicherungsschraube Bremsscheibe vo.85->	<a href="#">743101</a>	0,51 €	35	Cover/mudguard left (brake disc) front 85->	<a href="#">742213</a>	34,96 €

## 42.a Brake small compendium

42.a Brake small compendium



line	Brake line, ca. 239cm, 190SL w.T-50, front Rt.	<a href="#">142013</a>	22,00 €	line	Nut	<a href="#">742199</a>	0,35 €
	Caliper V8, rear Left., FN	<a href="#">742953</a>	108,02 €		Caliper R/C107 rear Rt.	<a href="#">742952</a>	219,29 €
	Stift, Bremsbelagmontage	<a href="#">742929</a>	2,69 €		Rep.-Satz Bremssattel hinten	<a href="#">742926</a>	27,79 €
	Satz-Bremsklötze 300-500SL, vo. TEXTAR	<a href="#">742833</a>	58,95 €		Satz-Bremsklötze '80-'85 vorn	<a href="#">742831</a>	45,97 €
	Satz-Bremsklötze ??->'80 vorn Textar	<a href="#">742830</a>	30,64 €	line	Brake line, e.g. ABS->wheel frt.rt.	<a href="#">742168</a>	12,02 €
	bracket for brake hose front right, non-ABS	<a href="#">742998</a>	20,84 €	line	Brake line 2510mm, eg LHD-ABS->wheel f.	<a href="#">742167</a>	24,40 €
line	Brake line 2295mm,e.g.LHD mastercyl->	<a href="#">742166</a>	38,50 €	line	Brake line 195mm :, 230frt Lt.,107 rear	<a href="#">742104</a>	14,28 €
line	Brake line e.g. rr.lt, 255mm	<a href="#">742102</a>	5,70 €		Anbausatz BENDIX-Bremse hinten	<a href="#">742089</a>	12,99 €
line	Brake line, ctre/long, LHD+FN, 3270mm	<a href="#">742069</a>	29,37 €	line	Brake line, Mastercyl.->Wheel drv-side	<a href="#">742068</a>	8,13 €
	Caliper V8, rear Rgght., FN	<a href="#">742954</a>	108,02 €		bracket for brake hose front left, non-ABS	<a href="#">742999</a>	20,84 €
line	Brake line 103cm, e.g. rr m / rr rt	<a href="#">742066</a>	15,17 €		Caliper 300-500SL front left side from 08.85	<a href="#">742812</a>	137,30 €
	A0004230061 additional pad	<a href="#">742989</a>	4,99 €	line	Bracket 250-280SL	<a href="#">243658</a>	1,06 €
	Sheet metal screw with hexagon 5.5 X 13 galvanized	<a href="#">990102</a>	0,20 €	line	5 meter brake steel tube 4.75, zincd, painted	<a href="#">942967</a>	17,55 €
line	workshop fitting for 4.75 lines, male thread, hex 11	<a href="#">942966</a>	0,36 €		Seal ring, servo, front	<a href="#">743417</a>	1,61 €
	Cal. 300-500SL frt rt 09.85->	<a href="#">742822</a>	137,30 €		Caliper 03.80->08.85 front right	<a href="#">742821</a>	139,13 €
	Brake disc front ->12.72, 273mm, brand: Zimmermann	<a href="#">743099</a>	77,29 €		Caliper 03.80->08.85 front Left	<a href="#">742811</a>	139,13 €
	Grommet, rear brake wires @ axle/anchor	<a href="#">742059</a>	3,99 €		B.m.c.280/350/380/450/500SL/C	<a href="#">743712</a>	108,02 €
	Mastercyl. ca. 07.83-08.85 FEBI	<a href="#">743813</a>	109,50 €		brake disc 300-560SL front, FEBI	<a href="#">743399</a>	41,63 €
	Brake disc front '80->'85, brand Zimmermann	<a href="#">743299</a>	64,50 €		Brake disc front 01.73-02.80 278mm ! brand: FEBI	<a href="#">743199</a>	46,51 €

	Sicherungsschraube Bremsscheibe vo.85->	<a href="#">743101</a>	0,51 €	line	Brake line 1495mm,RHD-Mastercyl->connct	<a href="#">742067</a>	18,93 €
line	brake line 300mm, div. purpose	<a href="#">742165</a>	5,87 €	line	Brake pipe master cyl./junction, LHD	<a href="#">742065</a>	36,89 €
line	Brake line 420mm, div. purpose	<a href="#">742064</a>	7,50 €	line	Brake pipe, front Rt.,late 165 cm	<a href="#">742067</a>	32,00 €
line	Brake line 340mm	<a href="#">542066</a>	5,95 €		Brake fluid.res. 09.75->08.85, ref.No. A0014315302	<a href="#">743806</a>	329,99 €
line	Brake line ctre, ca. 364cm, SLC-LHD up to FN	<a href="#">742063</a>	20,00 €	1	Mastercyl ATE, ABS Cars from 09.'85	<a href="#">743014</a>	162,93 €
1	Master cylinder 250 - 280 SL, R107 -> '74, brand AIC	<a href="#">243811</a>	103,99 €	1	B.m.c.280/350/380/450/500SL/C	<a href="#">743012</a>	197,72 €
1	Main brake cylinder FEBI	<a href="#">743812</a>	60,34 €	1	Mastercyl FEBI, ABS Cars from 09.'85	<a href="#">743814</a>	83,30 €
1	B.m.c. 07.74->08.75 ATE	<a href="#">743011</a>	254,22 €	1	Master cylinderFN	<a href="#">243011</a>	215,26 €
1	Master cylinder 250 - 280 SL, R107 -> '74, brand Textar or	<a href="#">243711</a>	250,82 €	2	Reservoir12.67->7.75,replaced!see pic	<a href="#">243006</a>	289,27 €
2	Rubber grommet, Mastercyl. up to '67	<a href="#">243019</a>	2,62 €	2	Floater+connector insert, brake reservoir from 1968	<a href="#">743008</a>	38,08 €
2	rbr cap @ reservoir "ATE"	<a href="#">743049</a>	2,75 €	2	Grommet, reservoir to mastercyl, ca 9.'75-8.'85	<a href="#">743029</a>	2,55 €
2	Rubber grommet, Mastercyl. 11.'67 -> 08.'75	<a href="#">743027</a>	3,02 €	3	Repair kit m.c.FN	<a href="#">243015</a>	92,92 €
3	Repr. kit, b.m.c. 07.83->08.85 ATE	<a href="#">743018</a>	68,14 €	3	Repr. kit, b.m.c.280-450SL/SLC	<a href="#">743017</a>	85,80 €
4	Eccentric bolt, brake pedal, repro	<a href="#">243028</a>	24,99 €	4	Brake Servo T52-9, ATE, ca. '68-'85, div. SL/SE, ..	<a href="#">243030</a>	617,00 €
4	Brake Servo ATE, 107 from '85, div. 129, 126, 124	<a href="#">743030</a>	297,45 €	4	Brake Servo Textar, 107 from '85, div. 129, 126, 124	<a href="#">743730</a>	292,92 €
4	seal pedal bracket/firewall, ca. '68-'85	<a href="#">743028</a>	2,94 €	5	Caliper 03.80->08.85 front Lt. ATE	<a href="#">742011</a>	430,23 €
5	Caliper 01.73->02.80 front Lt.	<a href="#">742010</a>	455,87 €	5	Caliper 300-500SL front left side from 08.85 ATE	<a href="#">742012</a>	470,60 €
5	Caliper V8, rear Rt., V8 EUR 73-> FN !	<a href="#">742054</a>	352,04 €	5	Caliper R/C107 rear left (ATE)	<a href="#">742051</a>	329,53 €
5	Caliper 01.73->08.80 front right, Budweg	<a href="#">742820</a>	144,63 €	5	Caliper R/C107 rear Rt.	<a href="#">742052</a>	342,65 €
5	Caliper V8, rear left, FN	<a href="#">742053</a>	264,48 €	5	Caliper 01.73->02.80 front left, budweg	<a href="#">742810</a>	144,63 €
5	Caliper R/C107 rear Lt.	<a href="#">742851</a>	100,70 €	5	Caliper R/C107 rear Rt.	<a href="#">742852</a>	100,70 €
5	Caliper 350SL/SLC front RH early 1971+1972	<a href="#">742019</a>	490,65 €	5	Caliper 01.73->08.80 fr. Rt.	<a href="#">742020</a>	437,55 €
5	Caliper 03.80->08.85 fr. Rt. ATE	<a href="#">742021</a>	430,23 €	5	Cal. 300-500SL frt rt 09.85-> ATE	<a href="#">742022</a>	462,27 €
5	Caliper 350SL/SLC front left side 1971+1972	<a href="#">742009</a>	490,65 €	6	Caliper repair kit, rear, all	<a href="#">742026</a>	21,05 €
6	Caliper repr. kit,fr.03.80->08.85	<a href="#">742015</a>	27,30 €	6	Rep-kit calip.frt.01.73->02.80	<a href="#">742016</a>	28,98 €
6	Rep-kit, '85-> frt per caliper (4piston	<a href="#">742017</a>	65,87 €	6	Brake caliper seal kit, fits ATE 66-72	<a href="#">242015</a>	47,60 €
7	Rest: Brake pad set rear '72-'89, brand ATE	<a href="#">742088</a>	31,25 €	7	Set of ATE rear brake pads 1965-19'72   W113-108	<a href="#">242088</a>	26,55 €
7	Brake pad set rear '72-'89, brand BOSCH	<a href="#">742788</a>	27,37 €	7	Brake pad set rear '72-'89, brand TEXTAR	<a href="#">742888</a>	33,19 €
7	Brk.p.set 300-500SL, fr. fm.'85	<a href="#">742033</a>	57,67 €	7	Brake pad set frt. ca. 3.'80 - 8.'85 (17mm) ATE	<a href="#">742031</a>	31,04 €
7	Brk.pads 280/350/450SL/SLC frt 73-80 ATE	<a href="#">742030</a>	30,08 €	7	Set brake pads frt. calipers '65-'72,ATE	<a href="#">242030</a>	31,12 €
8	Brake shoes and fitment parts, ATE	<a href="#">242200</a>	32,40 €	9	ATE Accessory kit for rear brake pads	<a href="#">242082</a>	6,40 €
9	Fitting kit, brake pads	<a href="#">242081</a>	9,41 €	9	Brake cable SL rr. V8 FN, Rt	<a href="#">742086</a>	39,98 €
9	Front Fitting kit, brake.pads   03.1980 ->	<a href="#">742029</a>	9,42 €	9	Wear contact, brake pad	<a href="#">742025</a>	2,52 €
9	Brake fittings, fr. 107+116	<a href="#">742028</a>	15,53 €	11	Brake hose,rr, fits "direct@caliper"	<a href="#">742106</a>	33,20 €
11	Brake hose, front Lt.or Rt.	<a href="#">242040</a>	30,40 €	11	Brake hose, 300-500SL fr.	<a href="#">742101</a>	79,99 €
11	Brake hose R/C107,C114,116rr.	<a href="#">742105</a>	34,99 €	12	Spring, brake cables up to 08.'76	<a href="#">742555</a>	7,62 €
12	Brk. cable fr. R/C107 FN	<a href="#">742080</a>	21,90 €	12	Brake cable front LHD up to 07.'76	<a href="#">742870</a>	21,42 €
13	Cotter pin 1,6 x 16	<a href="#">780888</a>	0,12 €	13	Brk. cable SL rr. FN+300 Lt.+Rt.	<a href="#">742081</a>	61,75 €
13	brake cable LH-side, repro referring MB A1074201685	<a href="#">742083</a>	67,24 €	13	brake cable RH-side, repro referring MB A1074201785	<a href="#">742084</a>	67,24 €
13	Brk. cable SL rr. V8 FN, Lt.	<a href="#">742085</a>	34,59 €	13	Brk. cable SLC RH, 450 from 8.76, 500	<a href="#">742076</a>	23,75 €
13	Brk.cable SLC rr L/R simple axle from'7	<a href="#">742072</a>	30,33 €	13	Brk. cable SLC left. 450 from 8.76, 500	<a href="#">742075</a>	23,75 €
29f	Rubber, wide, park brake pedal	<a href="#">742890</a>	13,35 €	39	brake dust cover plate frt RH, non	<a href="#">742220</a>	79,67 €

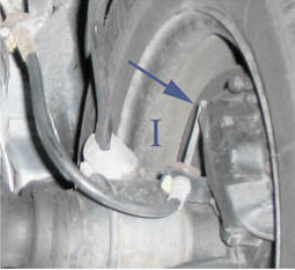
39	LHD brake dust cover plate frt LH, non ABS	<a href="#">742210</a>	79,67 €	79	ABS knob "brake release", LHD	<a href="#">742079</a>	28,60 €
----	--	------------------------	---------	----	----------------------------------	------------------------	---------

## 42.e Info Axle-type Brake hoses


### 42.e Info Axle-type Brake hoses

**Bremsschlauch-Anschlussweise Hinterachse**


**Bild rechts oben:** erste Generation, Hinterachse mit einfachem Lenker/Radträger (hier W114), kurze Bremsleitung führt oben zum Sattel, → **Bremsschlauch nicht direkt an Sattel**. Nur bis ca. 03. 73. Achtung: bei Erneuerung des Bremssattels wird ersetzt in die nachfolgende Bauweise (dann mittlere Bildreihe)




**Bildreihe mitte:** Hinterachse mit einfachem Lenker/Radträger (hier 300SL und 280SL), Bremssattel hinter Achsmitte mit seitlichem Anschluss. → **Bremsschlauch direkt an Sattel**.



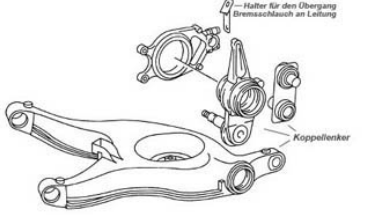
**Bildreihe unten:** Achse m. „Koppellenker“ (hier 500SL + 500SE), **Bremsschlauch nicht direkt an Sattel**, sondern Extraleitung zur Sattelposition vor der Achsmitte. Schnelle Erkennung: Lenker aus Leichtmetall mit auffälliger Wabenstruktur.



Ersatzzeilustrationen berücksichtigen meist nur eine der drei möglichen Leitungsschemas. Wenn eine Koppellenker-Achse verbaut ist, sitzen die Bremssättel vor der Achsmitte.



Halter für den Übergang Bremsschlauch an Leitung



hose-type-1	Brake hose R/C107,C114,116rr.	<a href="#">742105</a>	34,99 €	hose-type-2	Brake hose,rr, fits "direct@caliper"	<a href="#">742106</a>	33,20 €
-------------	-------------------------------	------------------------	---------	-------------	--------------------------------------	------------------------	---------

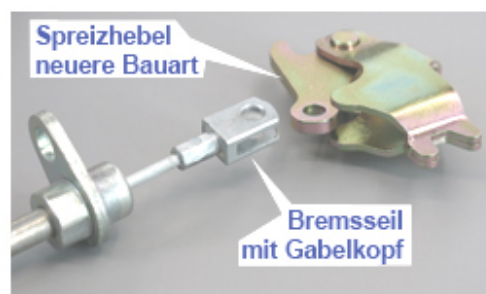
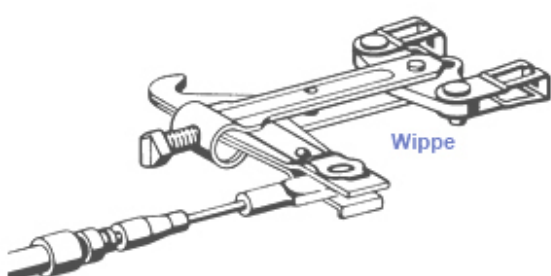
## 42.h rear ropes parking brake

The large number of rear brake cable variants is unfortunately the result of the equally varied construction environment: - Change of the expansion levers in the anchor plates from approx. 12.'74 (new ropes with clevis) - Relocation of the train rocker at the cardan tunnel from approx. 09.'76 (relocation to the rear edge of the tunnel) - Variants coupling or semi-trailing arm axle (can be extras, not necessarily according to VIN, when the coupling arm axle was installed, identical leftright ropes could no longer be used) - Variants Coupe/Roadster Unfortunately, only a small part of the formerly assigned part numbers for various rear brake cables are still available: Please check with a Type 107 specialist to see if replacement is possible by adjusting other parts. (Modification of the rocker, replacement of the spreader levers)



**Hintere Seile der Feststellbremse. Typen LHD = Pedalfeststellbremse, Handhebeltypen(RHD) nur hinten identisch**

	Generation Wippe	Roadster mit Schräglenkerachse	Roadster mit Koppelachse	Coupe mit Schräglenkerachse	Coupe mit Koppelachse
Einbau-Seite	links <i>Wippe vor 08.'76</i>	107 420 1385 ersetzt d. 107 420 1485 (erf: neue Spreizhebel Ankerplatte)	107 420 1685 = <b>742083</b>	107 420 0385 ersetzt d. 107 420 1585 (erf: neue Spreizhebel Ankerplatte)	107 420 1185 ersetzt d. 107 420 1885 (erf: neue Spreizhebel Ankerplatte)
Einbau-Seite	links <i>Wippe nach 09.'76</i>	107 420 2185 = <b>742081</b>	107 420 2385 = <b>742085</b>	107 420 2285 = <b>742072</b>	107 420 2585 = <b>742075</b>
Einbau-Seite	rechts <i>Wippe vor 08.'76</i>	107 420 1385 ersetzt d. 107 420 1485 (erf: neue Spreizhebel Ankerplatte)	107 420 1785 = <b>742084</b>	107 420 0385 ersetzt d. 107 420 1585 (erf: neue Spreizhebel Ankerplatte)	107 420 1285 ersetzt d. 107 420 1985 (erf: neue Spreizhebel Ankerplatte)
Einbau-Seite	rechts <i>Wippe nach 09.'76</i>	107 420 2185 = <b>742081</b>	107 420 2485 = <b>742086</b>	107 420 2285 = <b>742072</b>	107 420 2685 = <b>742076</b>



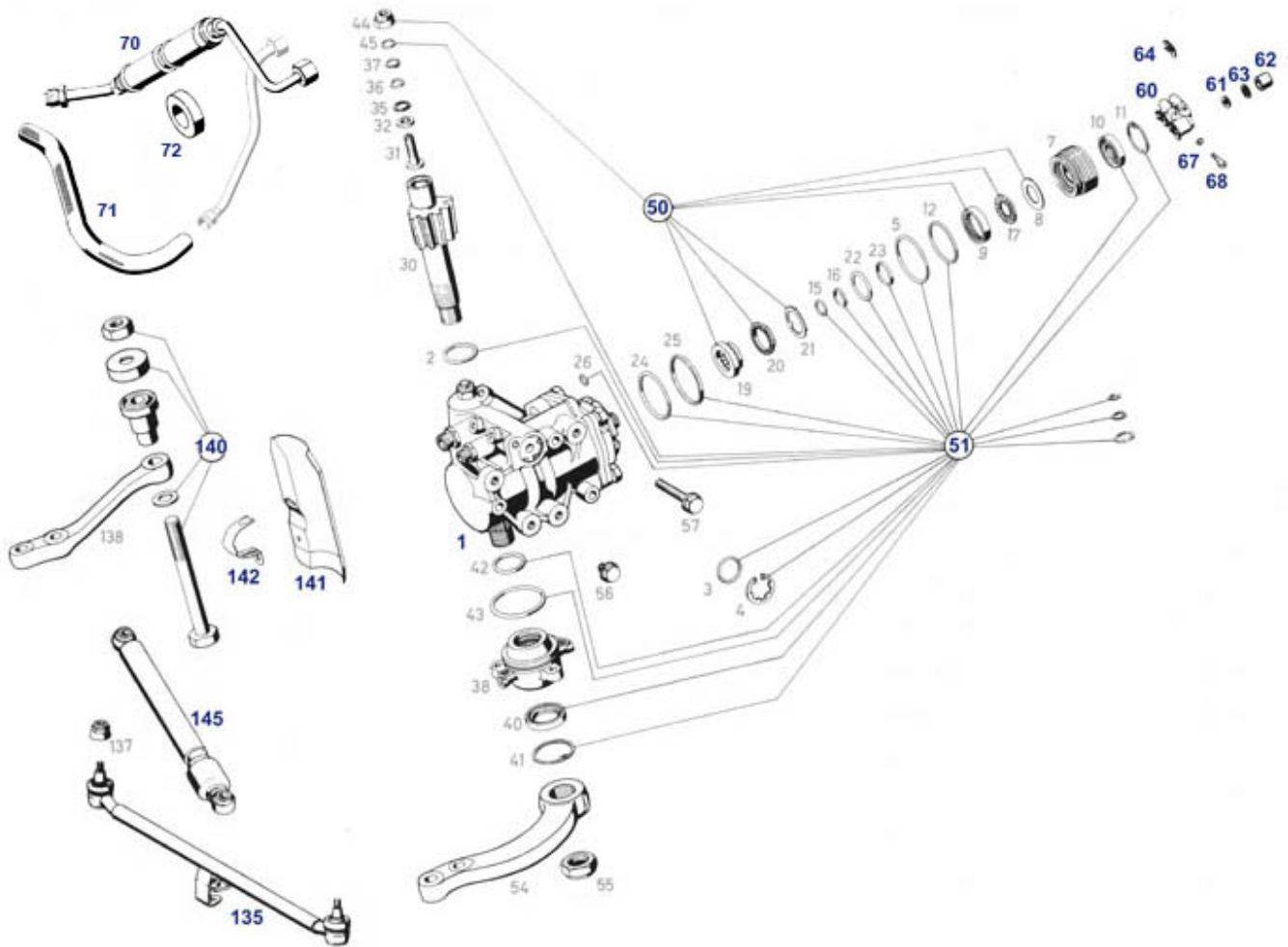
	link, fits new brake rope eye	<a href="#">242855</a>	10,65 €		Grommet, rear brake wires @ axle/anchor	<a href="#">742059</a>	3,99 €
	Spring, brake cables up to 08.'76	<a href="#">742555</a>	7,62 €	742072	Brk.cable SLC rr L/R simple axle from'7	<a href="#">742072</a>	30,33 €
742075	Brk. cable SLC left. 450 from 8.76, 500	<a href="#">742075</a>	23,75 €	742076	Brk. cable SLC RH, 450 from 8.76, 500	<a href="#">742076</a>	23,75 €
742081	Brk. cable SL rr. FN+300 Lt.+Rt.	<a href="#">742081</a>	61,75 €	742085	Brk. cable SL rr. V8 FN, Lt.	<a href="#">742085</a>	34,59 €

**42.g Equipment for ABS**

Brake line, ca. 239cm, 190SL w.T-50, front Rt.	<a href="#">142013</a>	22,00 €		2 pole terminal	<a href="#">154052</a>	44,85 €
3-way Clamp Fuel Pipes, W113 (EU)	<a href="#">247040</a>	2,90 €		O-Ring ABS-sender @ diff housing	<a href="#">735242</a>	1,33 €
Brake line 2295mm,e.g.LHD mastercyl->	<a href="#">742166</a>	38,50 €		Brake line 2510mm, eg LHD-ABS->wheel f.	<a href="#">742167</a>	24,40 €
Brake line, e.g. ABS->wheel frt.rt.	<a href="#">742168</a>	12,02 €		Mastercyl ATE, ABS Cars from 09.'85	<a href="#">743014</a>	162,93 €
tension guard, 4-pole US-V8 79-81	<a href="#">754238</a>	66,20 €		El. relay, 5-pin see pict, div. applications	<a href="#">754329</a>	17,85 €
Mastercyl FEBI, ABS Cars from 09.'85	<a href="#">743814</a>	83,30 €		del-t: sensor frt wheel speed ABS'85-> 107 LH	<a href="#">754442</a>	161,10 €
del-t: sensor frt wheel speed ABS'85-> 107 LH	<a href="#">754443</a>	161,10 €		O-Ring ABS-sensor rear axle	<a href="#">735243</a>	0,98 €

## 46 Steering

### 46.a Steering Gear and Linkage LHD 1st Generation



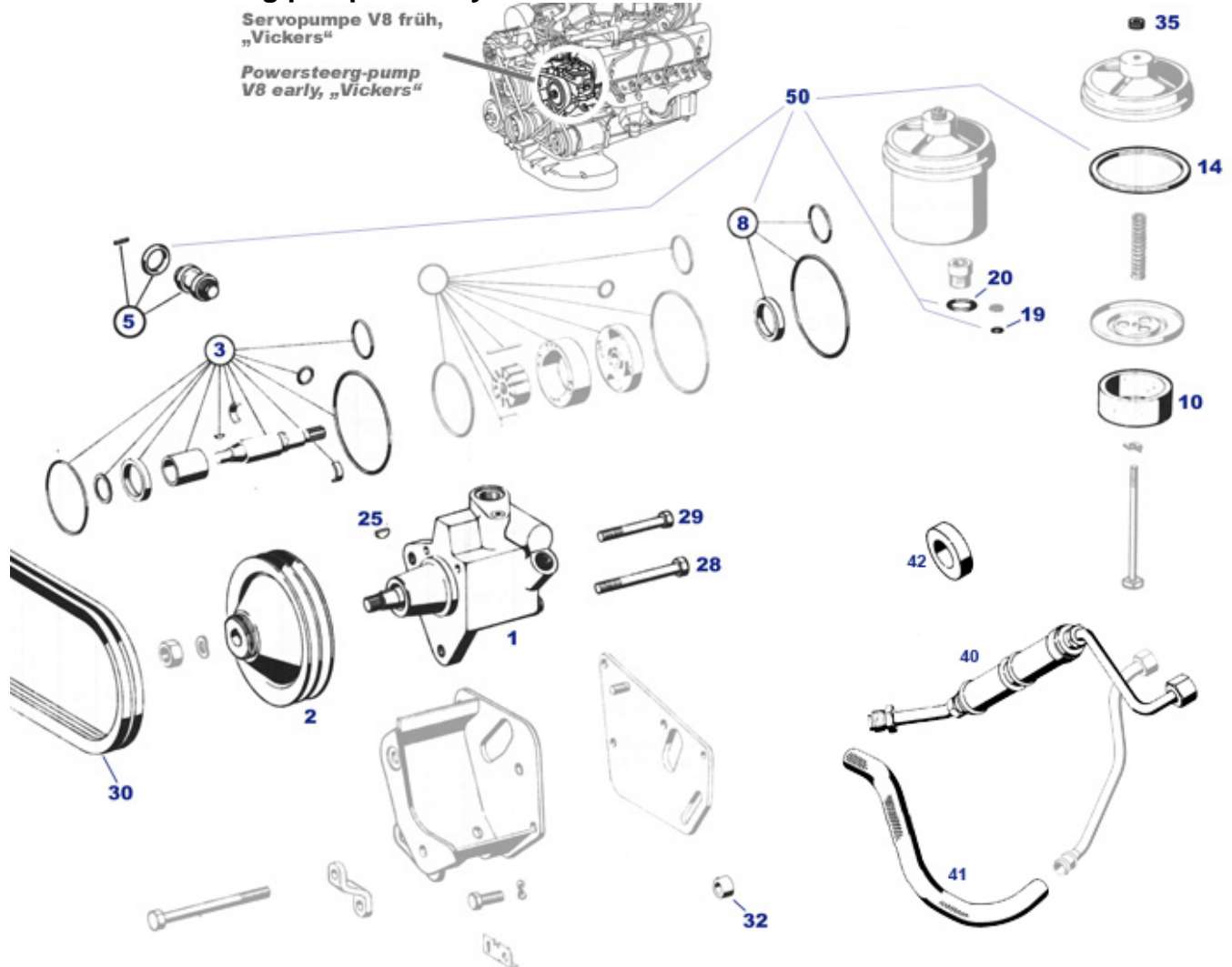
	Castle nut M10X1, long shape, early joint	<a href="#">133006</a>	2,38 €		centering screw to fix steering middle position	<a href="#">758460</a>	20,09 €
	Castle nut M10X1, thin shape, early joint	<a href="#">133706</a>	2,45 €		Handle, key, fits up to 11.'78 ca	<a href="#">789190</a>	12,05 €
	Split pin 2,5 x 25, fits crown nuts steering linkage	<a href="#">133007</a>	0,24 €	51	Gasket kit pwr steerg-box '85-> (107, 123)	<a href="#">746106</a>	46,04 €
51	Gasket set pws steerg.gear up to '85	<a href="#">746115</a>	27,63 €	60	Steering coupling, repro, no maintenanc	<a href="#">746875</a>	99,37 €
60	Steering coupling, repro, no maintenanc	<a href="#">746775</a>	50,35 €	62	del.- t. Nylon bushing, Repro, early column	<a href="#">246876</a>	5,52 €
62	Nylon bushing, coupling,early PU	<a href="#">246776</a>	17,59 €	64	clamp for bolt 798024 SL10	<a href="#">798724</a>	0,95 €
67	Locking shim, M8 bolts	<a href="#">746299</a>	0,38 €	70	PWS-hose 280SL/C LHD 1st gen. FN	<a href="#">799221</a>	121,38 €
70	PWS hose V8 LHD FN	<a href="#">799322</a>	127,45 €	70	PWS hose V8 LHD from ca. 82	<a href="#">799521</a>	129,76 €
70	PWS hose 4.5 USA, middl. Gen FN	<a href="#">799422</a>	127,45 €	70	PWS hose 4.5 USA early	<a href="#">799421</a>	132,59 €
70	PWS hose V8 LHD early	<a href="#">799321</a>	127,45 €	71	1m oil hose pws-return line, i.d.15mm	<a href="#">299020</a>	28,75 €
71	1m PWS oil return hose, 12/18,5mm, from ca. 8.74	<a href="#">799020</a>	34,50 €	99	A1164620093 Switch.ignition ca 67-80	<a href="#">246091</a>	79,99 €
99	Rubberboot, indicator switch from 09.'75 ->	<a href="#">746810</a>	23,40 €	99	Ign lock cylinder, no dedicated code, GenII	<a href="#">746052</a>	193,40 €
99	Ign switch e.g. 107 81-89, data req.	<a href="#">746091</a>	58,75 €	99	Needle bearing, steering column from 1967, ref.-No. A0189816110	<a href="#">246163</a>	9,33 €
99	Multiswitch, LHD, from 09.'75 reproduction	<a href="#">746802</a>	74,38 €	135	Lenkstange orig	<a href="#">746980</a>	148,99 €
135	Drag Link 280-560SL/SLC FEBI	<a href="#">746180</a>	39,96 €	140	Steering arm repair kit from '68 FEBI	<a href="#">246062</a>	19,21 €

141	Shield LHD, 107, 111/108late	<a href="#">749070</a>	78,43 €	142	Fixing, shield, steering li	<a href="#">249079</a>	7,89 €
145	hex head screw 10.9 zinc plated M10X1X40, eg. steering damper	<a href="#">233146</a>	1,23 €	145	Steering damper	<a href="#">246080</a>	45,09 €

### 46.b Steering Column

Nardi-hub, Mercedes fr.08.79 inc. ABE	<a href="#">746005</a>	166,60 €	Multiswitch LHD from 09.75 "Meyle"	<a href="#">746302</a>	78,36 €
lock cylinder, generation see picture of key	<a href="#">746049</a>	46,41 €	Rubber cover, el.switch lever to steerg. column	<a href="#">746809</a>	22,61 €
grommet, lower steering tube to spindle	<a href="#">246849</a>	16,99 €	Rubberboot, indicator switch from 09.'75 ->	<a href="#">746810</a>	23,40 €
escutcheon, fits steering lock from ca. 07.'79	<a href="#">768241</a>	41,00 €	Multiswitch, LHD, from 09.'75 reproduction	<a href="#">746802</a>	74,38 €
Ign switch e.g. 107 81-89, data req.	<a href="#">746091</a>	58,75 €	Nardi-hub, Mercedes'76->07.79 w/o Tüv	<a href="#">746006</a>	143,99 €
Ign. lock cylinder, gen from ca.'85	<a href="#">746053</a>	11,19 €	Ign lock cylinder, no dedicated code, GenII	<a href="#">746052</a>	193,40 €
Aluring für Nardi-Classico	<a href="#">746018</a>	34,44 €	Nardi-Classico, wd/alu 39cm no hub	<a href="#">746010</a>	575,00 €
Nardi s'wheel horn button, 2-Pole	<a href="#">746009</a>	133,16 €	Aluring, Nardi-Classico silber 2005-->	<a href="#">746008</a>	34,44 €

### 46.c Power steering pump V8 early "Vickers"



hex. head screw with UNC thread, for Vickers cast iron pump	<a href="#">246896</a>	3,45 €	late	O-rings for pws pump "Vickers", please send pump ID	<a href="#">746109</a>	1,74 €
---	------------------------	--------	------	---	------------------------	--------

late	O-rings for pws-pump "ZF", pls send pump ID	<a href="#">746112</a>	5,47 €	1	Pump,pwrsteerg, used, sealed, tested, (old part required!)	<a href="#">246100</a>	607,14 €
3	Oil seal, PWS pump VT27	<a href="#">246144</a>	6,14 €	8	Short gasket kit , pws pump "cyl-shaft"	<a href="#">246104</a>	2,62 €
8	O-rings for 116 460 1780/1880, no shaft seal	<a href="#">746111</a>	2,08 €	8	Gasket set, pws pump "kone shaft"	<a href="#">746105</a>	5,36 €
10	Filter, pws. fluid tank	<a href="#">299022</a>	29,99 €	14	Sealing ring, fluid tank cap	<a href="#">299023</a>	3,68 €
19	O-Ring pws-reservoir->pump, small	<a href="#">746243</a>	1,20 €	20	hollow screw, oil reservoir @ VT27	<a href="#">746089</a>	13,89 €
20	O-ring Vickers pump,housing,reservoirV8	<a href="#">746246</a>	1,87 €	25	woodruff key, pump shaft pws	<a href="#">246116</a>	9,50 €
30	Fan belt 10 x 1184, z.B. 3.5 Servo,FN	<a href="#">799123</a>	11,90 €	30	Fan belt 10 x 1160, z.B. 4.5 Servo,FN	<a href="#">799126</a>	10,95 €
35	Milled nut, pws reservoir	<a href="#">799462</a>	1,50 €	40	PWS hose V8 LHD from ca. 82	<a href="#">799521</a>	129,76 €
40	PWS-hose 280SL/C LHD 1st gen. FN	<a href="#">799221</a>	121,38 €	40	PWS hose V8 LHD early	<a href="#">799321</a>	127,45 €
40	PWS hose V8 LHD FN	<a href="#">799322</a>	127,45 €	40	PWS hose 4.5 USA early	<a href="#">799421</a>	132,59 €
40	PWS hose 4.5 USA, middl. Gen FN	<a href="#">799422</a>	127,45 €	41	1m PWS oil return hose, 12/18,5mm, from ca. 8.74	<a href="#">799020</a>	34,50 €
41	1m oil hose pws-return line, i.d.15mm	<a href="#">299020</a>	28,75 €	246145	O Ring, pressure valve	<a href="#">246145</a>	3,50 €

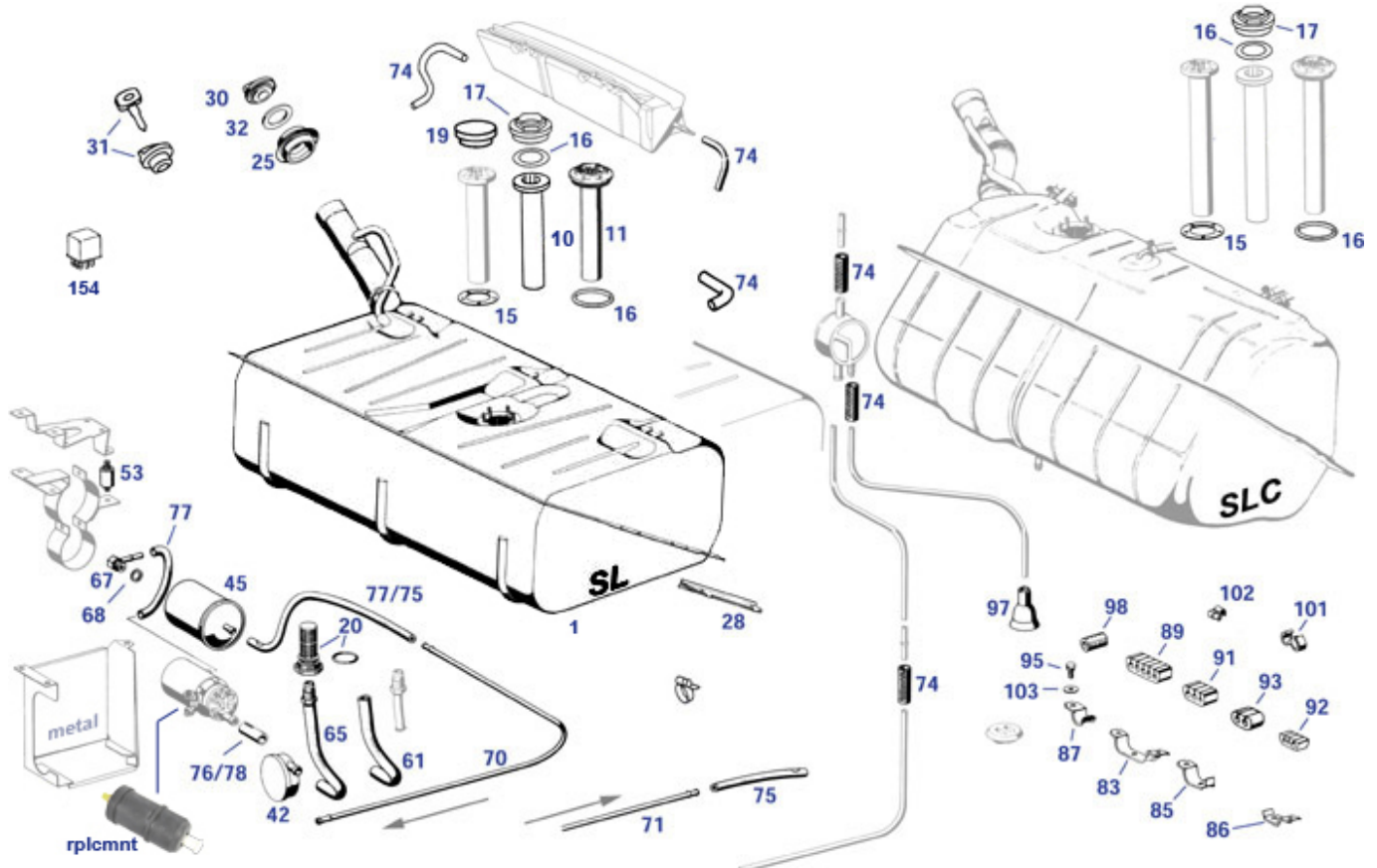
#### 46.d PWS Pump late, Alu-style

	woodruff key, pump shaft pws	<a href="#">246116</a>	9,50 €		Oil seal, PWS pump VT27	<a href="#">246144</a>	6,14 €
	O-rings for pws pump "Vickers", please send pump ID	<a href="#">746109</a>	1,74 €		Filter, pwsteerg.pump e.g. M117-119, ...	<a href="#">799022</a>	13,29 €

## 47 Gas Tank and Fuel Pump

### 47.a Fuel System 1971-1976

Tank: the body environment remained almost unchanged over the construction period, so that the choice of the right tank generation could be based on the available immersion tube sensor or upgraded to the latest generation with the help of the surrounding parts. Please plan for freight costs. Roadster and coupe tanks (and fuel gauges) are not interchangeable. The horizontal SL expansion tank was changed from sheet metal to plastic at an early stage, a rare first generation of tanks came with only one ventilation nozzle (later all tanks 5 nozzles). Meanwhile irrelevant: The filling pipe barrier against leaded nozzles as a catalytic converter retrofit additive is obsolete and the cross-section is basically tuned to lead-free in a simplified way. Locking lids for types without central locking can be requested with delivery of documents from MB with desired locking. Pump package: this illustration is valid for types D-Jetronic, version without evaporation system, pump package without pressure accumulator, if original pump is installed, recognizable by the side pressure outlet. Due to the poor delivery situation, conversion to more modern pumps (inline design) is popular, so that assembly parts can differ individually, see illustration of more modern types. Use K-Jetronic 4.5 US already 09.'75. Fuel gauges: fluctuating delivery situations and weaknesses in reproductions may suggest a request from professional overtakers. The design generation change was carried out without any influence on the electrical function, there is a sls-hh Youtube video for pin assignment and pre-fault encirclement.



	Fuel Tank SLC, please ask for freight quote	<a href="#">747801</a>	899,00 €	rplcmnt	Universal Fuel pump, alternative for <a href="#">347005</a> D-Jet	164,59 €
	Relay, idle contr., fuel-pump, 7-pin, 380US '83->	<a href="#">754305</a>	93,99 €		Rest: Meyle FP-Relay 0148000032 (0035452405)	<a href="#">754321</a> 101,15 €
	fuel pump relays 3.8/5.0 early models	<a href="#">754322</a>	173,74 €		Fuel pump relay, V8 from '85, 10-Pin	<a href="#">754325</a> 36,21 €
	Fuel pump relay 3.8/4.5 US, FN ! 6-pin, URO	<a href="#">754384</a>	94,00 €	Clamp	clamp, fits e.g. 747004	<a href="#">999896</a> 2,25 €
Clamp	hose clamp for diam. 11mm, stainless steel	<a href="#">999897</a>	2,38 €	Clamp	Hose clamp 18-27, worm thread style	<a href="#">999898</a> 4,07 €
	Bracket for 1 pump and 1 filter	<a href="#">547081</a>	82,40 €		Fuel pump, Bosch 0 580 464 999	<a href="#">747905</a> 291,10 €
	Upper Bracket, fuel pump assy	<a href="#">547080</a>	19,90 €		Fuel strainer in fuel tank, w.seal	<a href="#">747713</a> 35,76 €
	rubber inlay, for 3 pipes (8 + 8 + 5mm)	<a href="#">247859</a>	5,63 €		Fuel pump relay, V8 from '85, 10-Pin	<a href="#">754825</a> 58,85 €
	Rubber grommet 3/26 e.g. fuel tank vent pipe	<a href="#">798860</a>	1,87 €		grommet, hose protection, e.g. fuel hose	<a href="#">798847</a> 1,87 €
	Fuel accumulator K-Jet up to 02.'79, Repro	<a href="#">747609</a>	142,75 €		Ring eyelet, crimp, uninsulated, high-temp. MS sn, ID5.3	<a href="#">997988</a> 0,33 €
Clamp	Hose clamp 13mm	<a href="#">747997</a>	1,99 €		Pump relay V8, ca. 81-85, 7 pin	<a href="#">754327</a> 70,21 €
	Fuel hose 13 x 20mm, plain mantle	<a href="#">747027</a>	27,19 €		Hose adapter diam 15->12mm, new	<a href="#">347998</a> 7,66 €



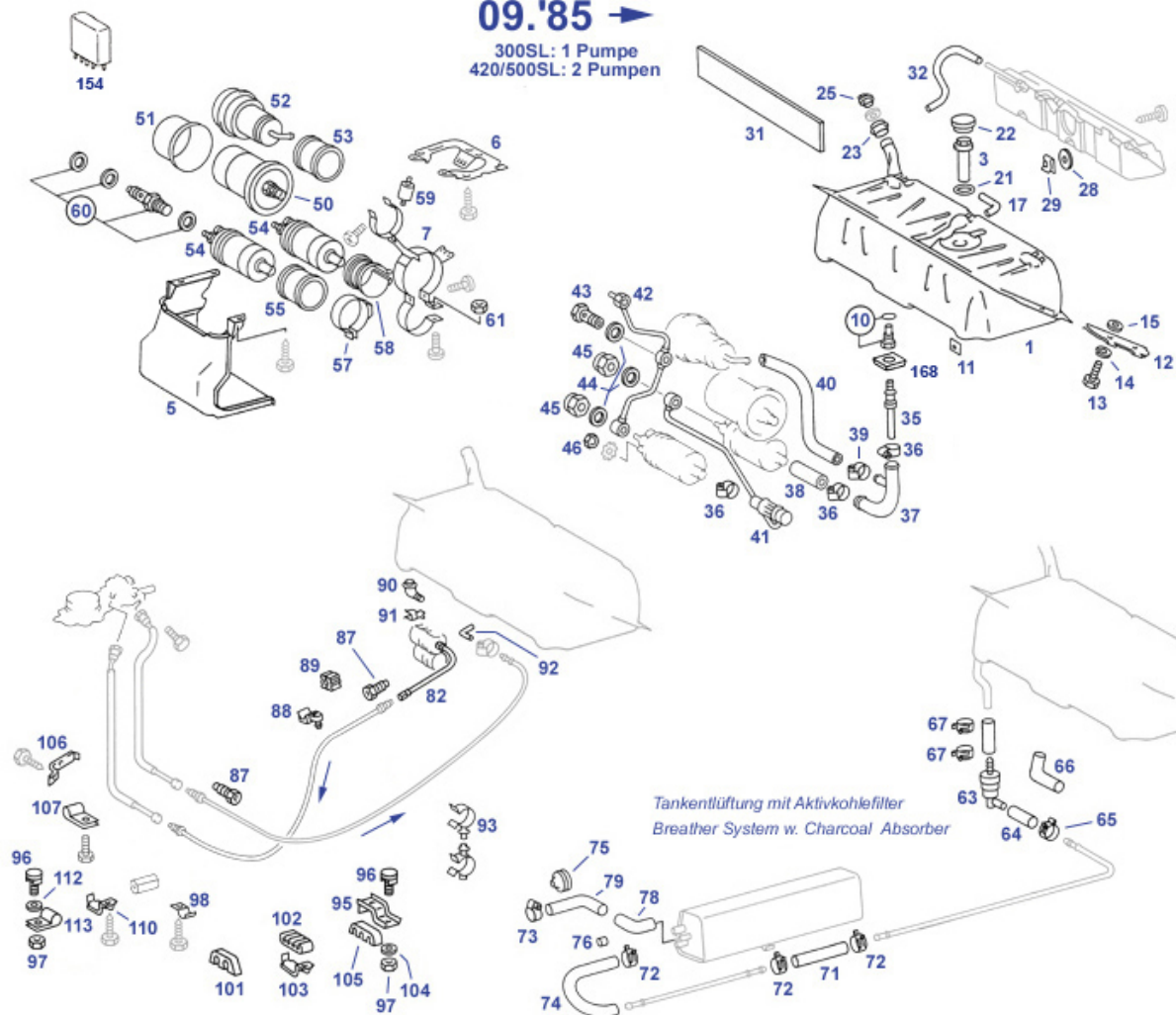
	rubber buffer, fuel filler door 108,111,SLC107	<a href="#">398795</a>	2,30 €	1	pumps @ 82ltr Fuel tank SL107, last generation	<a href="#">747000</a>	690,20 €
1	Fuel tank SL107, first generation	<a href="#">747008</a>	474,81 €	1	del-t: Fuel tank SL107, middle generation	<a href="#">747019</a>	595,00 €
1	neoprene 6mm, self-adhesive, 1/sqm	<a href="#">968035</a>	31,50 €	1	insulation sheet 70x9cm, self- adhesive	<a href="#">747683</a>	7,02 €
5	Spring clip nut, 4,2, e.g. wing 107,..	<a href="#">299028</a>	0,33 €	5	Nut	<a href="#">798166</a>	0,58 €
5	Screw, e.g. Headlamp to Wing	<a href="#">788081</a>	0,88 €	10	Fuel sender "SL GenII" fits ring nut, Repro	<a href="#">747816</a>	172,55 €
11	Fuel Sender SL from ca. 08.'76 (hex- head), repro	<a href="#">747736</a>	118,99 €	15	Hex serrated flange nut M5	<a href="#">999038</a>	0,54 €
15	Gasket for fuel sender 1956-1972   A1104710180	<a href="#">147015</a>	1,48 €	16	Sealing ring fuelsender unit 12.'72-->	<a href="#">747316</a>	1,96 €
17	flange ring e.g. W107 mid fuel tank Gen.	<a href="#">747317</a>	44,95 €	19	round cover above fuel sender,Repro	<a href="#">247814</a>	5,20 €
20	Damping insert tank on screw screen	<a href="#">747682</a>	5,31 €	20	Fuel strainer in fuel tank, W107, W116, ... does not fit Diesel	<a href="#">747612</a>	20,23 €
25	rubber boot, filler neck, fits from ca. 07.'80	<a href="#">747818</a>	6,70 €	25	A1079972481 grommet, fits ca up to 07.'80	<a href="#">747017</a>	10,00 €
25	Rubber buffer SL filler flap, 2x needed	<a href="#">798787</a>	2,21 €	30	Fuel cap, plastic, no lock, FEBI	<a href="#">747009</a>	11,04 €
31	Cap with 1 key, genuine, fuel tank up to ca. '79	<a href="#">747010</a>	59,99 €	32	Seal ring @ gas cap	<a href="#">247010</a>	2,98 €
40	Grommet for Fuel Pump Wiring	<a href="#">299018</a>	2,53 €	42	Flow damper, fits D-Jet pump assy, 2 studs	<a href="#">747717</a>	96,82 €
45	Fuel filter R/C 107 -> 06.1976	<a href="#">747702</a>	29,21 €	53	Rubber buffer,fuel pump,late	<a href="#">247023</a>	4,74 €
61	hose clamp 17mm	<a href="#">747993</a>	1,32 €	65	Fuel hose 11x17 w. tank fitting	<a href="#">747004</a>	40,28 €
67	Threaded fittig to filter 747702	<a href="#">747147</a>	9,75 €	68	Seal ring 14mm Alu	<a href="#">207186</a>	1,08 €
74	hose clamp 10-16, worm thread style	<a href="#">999888</a>	1,84 €	74	1m Fuel hose 5,5mm e.g. 107-fuel vent.	<a href="#">247847</a>	3,92 €
74	hose clamp 12mm	<a href="#">747992</a>	1,32 €	75	Damping insert tank on the return nozzle	<a href="#">747681</a>	2,28 €
76	1m Fuel hose tank->pump 11/17mm, fabric	<a href="#">247005</a>	10,41 €	77	1m. Fuel hose 7,5x13,0 flat surface	<a href="#">247007</a>	8,50 €
83	clamp 37,5 mm	<a href="#">747040</a>	5,24 €	85	3-way Clamp Fuel Pipes, W113 (EU)	<a href="#">247040</a>	2,90 €
85	Clamp, fuel pipes	<a href="#">247049</a>	2,68 €	86	Fuel and brake line clamp, for 30mm rubbers	<a href="#">147014</a>	2,32 €
89	rubber inlay, clamp	<a href="#">747039</a>	2,11 €	91	Rubber protect. 2+1 pipes in clamp	<a href="#">247839</a>	7,09 €
91	clamp inlay	<a href="#">747038</a>	1,84 €	92	Rubber inlay, clamp, 3 line, 1x8 + 2x5mm	<a href="#">847039</a>	2,82 €
95	Clamping Bolt M6 for square bodypanel holes	<a href="#">188036</a>	7,90 €	97	Rubber trumpet, fuel tank ventilation	<a href="#">747079</a>	10,00 €
98	Hose, 8,5/15mm, 1 metre	<a href="#">247050</a>	12,60 €	101	Clip fits 2 pipes ea 8mm	<a href="#">798177</a>	0,55 €
103	rubber washer fits M6	<a href="#">299081</a>	1,19 €	154	El. relay, 5-pin see pict, div. applications	<a href="#">754329</a>	17,85 €

## 47.d Fuel System from 09.'1985

47.d Fuel System from 09.'1985

09.'85 →

300SL: 1 Pumpe  
420/500SL: 2 Pumpen

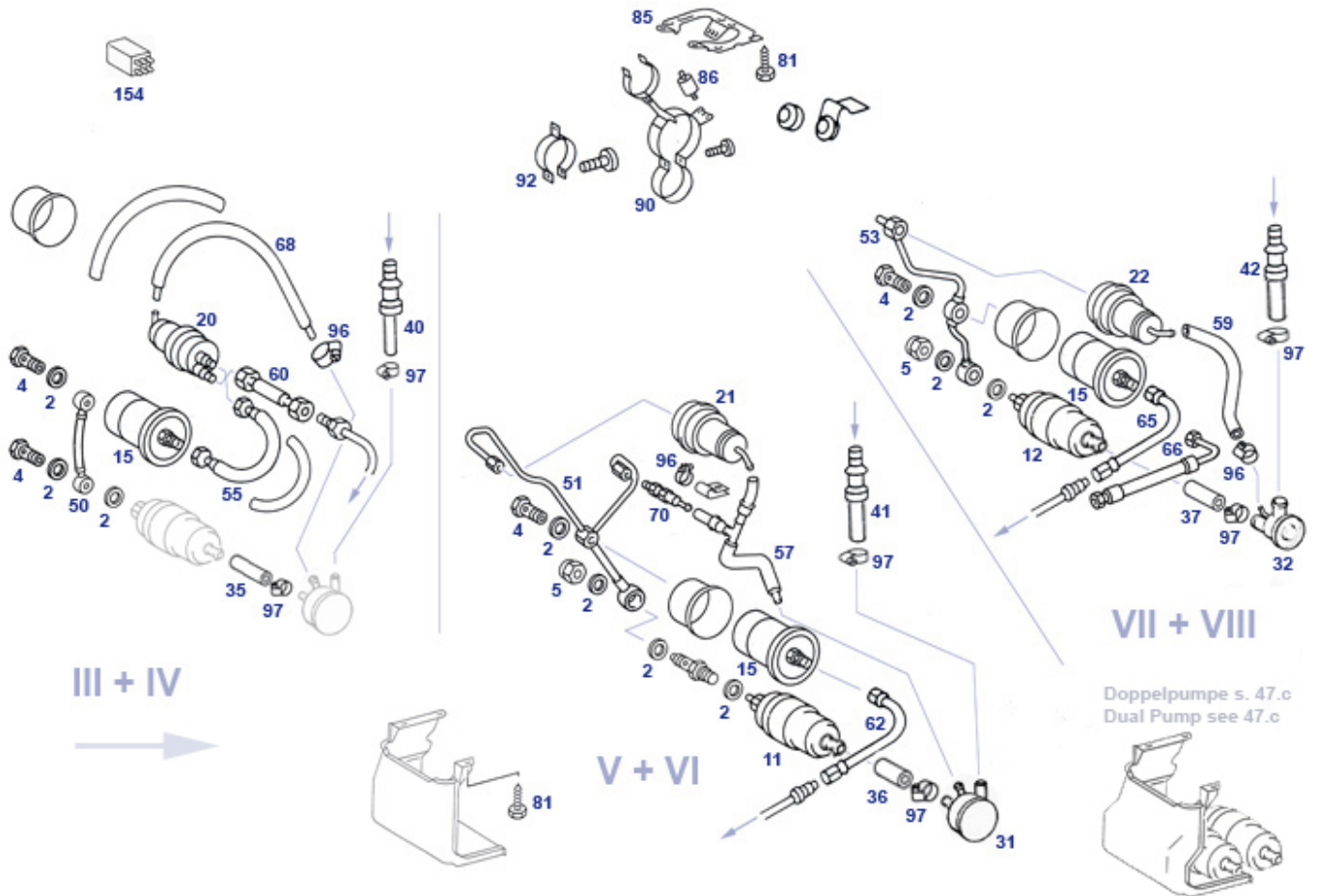


	Ring eyelet, crimp, uninsulated, high-temp. MS sn, ID5.3	<a href="#">997988</a>	0,33 €		Fuel Pump Check Valve	<a href="#">747141</a>	29,69 €
	hose clamp 10-16, worm thread style	<a href="#">999888</a>	1,84 €		grommet, hose protection, e.g. fuel hose	<a href="#">798847</a>	1,87 €
	Rubber grommet 3/26 e.g. fuel tank vent pipe	<a href="#">798860</a>	1,87 €		rubber inlay, for 3 pipes (8 + 8 + 5mm)	<a href="#">247859</a>	5,63 €
	Fuel strainer in fuel tank, w.seal	<a href="#">747713</a>	35,76 €		Screw, e.g. Headlamp to Wing	<a href="#">788081</a>	0,88 €
	Fuel pump relay 3.8/4.5 US, FN !	<a href="#">754384</a>	94,00 €	scrw	El. relay, 5-pin see pict, div. applications	<a href="#">754329</a>	17,85 €
	6-pin, URO				fuel pump relais 3.8/5.0 early models	<a href="#">754322</a>	173,74 €
	Pump relay V8, ca. 81-85, 7 pin	<a href="#">754327</a>	70,21 €		Fuel tank SL107, last generation	<a href="#">747000</a>	690,20 €
	Relay, idle contr., fuel-pump, 7-pin, 380US '83->	<a href="#">754305</a>	93,99 €	1			
3	Fuel Sender SL from ca. 08.'76 (hex- head), repro	<a href="#">747736</a>	118,99 €	6	Upper Bracket, fuel pump assy	<a href="#">547080</a>	19,90 €
7	Bracket for 1 pump and 1 filter	<a href="#">547081</a>	82,40 €	7	bracket for fuel pressure reservoir repro ref 1264700281	<a href="#">747082</a>	23,07 €
10	Fuel strainer in fuel tank, W107, W116, ... does not fit Diesel	<a href="#">747612</a>	20,23 €	11	Damping insert tank on the return nozzle	<a href="#">747681</a>	2,28 €
13	Hex. head screw M8 X 50 zinc plated, N304017008034	<a href="#">799943</a>	0,54 €	14	galvanized Spring washer M8	<a href="#">233059</a>	0,21 €
15	Shim, Exh/Tank support	<a href="#">298776</a>	2,83 €	17	hose clamp 12mm	<a href="#">747992</a>	1,32 €
21	Sealing ring fuelsender unit 12.'72-->	<a href="#">747316</a>	1,96 €	23	rubber boot, filler neck, fits from ca. 07.'80	<a href="#">747818</a>	6,70 €
23	Rubber buffer SL filler flap, 2x needed	<a href="#">798787</a>	2,21 €	25	Fuel cap, plastic, no lock, FEBI	<a href="#">747009</a>	11,04 €
28	Washer, Star/frame	<a href="#">288047</a>	0,55 €	29	Spring clip nut, 4,2, e.g. wing 107,..	<a href="#">299028</a>	0,33 €
31	insulation sheet 70x9cm, self-adhesive	<a href="#">747683</a>	7,02 €	31	neoprene 6mm, self-adhesive, 1/sqm	<a href="#">968035</a>	31,50 €

32	1m Fuel hose 5,5mm e.g. 107-fuel vent.	<a href="#">247847</a>	3,92 €	35	Fuel hose 14x20 w. threaded fitting	<a href="#">747002</a>	19,50 €
36	Hose clamp 18-27, worm thread style	<a href="#">999898</a>	4,07 €	36	Hose clamp 18-27, worm thread style	<a href="#">999898</a>	4,07 €
37	pipe bow with junction, fits pump assy 09.'85->	<a href="#">747130</a>	50,40 €	38	Fuel hose 13 x 20mm, plain mantle	<a href="#">747027</a>	27,19 €
38	1m Fuel Hose 14/22mm	<a href="#">747029</a>	37,28 €	39	hose clamp for diam. 11mm, stainless steel	<a href="#">999897</a>	2,38 €
40	wire strap with rivet plug, 160mm	<a href="#">854087</a>	1,29 €	41	pump 1 to pump 2 line, comes w/o rbr hose	<a href="#">747840</a>	26,47 €
43	Hollow screw M12 x 1,5	<a href="#">747146</a>	2,64 €	44	Seal ring, sump plug	<a href="#">299303</a>	0,13 €
45	threaded cap, fuel studs	<a href="#">747143</a>	3,96 €	46	Hex Nut, M4	<a href="#">799919</a>	0,20 €
50	Fuel filter 82mm, BOSCH 300-560SL '85->	<a href="#">747781</a>	45,39 €	50	Fuel filter D 81mm, all from '85->	<a href="#">747701</a>	40,73 €
52	Fuel accumulator e.g. 300SL, ..., Rebro	<a href="#">747811</a>	196,35 €	52	Fuel accumulator V8 from 09.'85 Bosch	<a href="#">747812</a>	367,98 €
52	Fuel accumulator V8 from 09.'85	<a href="#">747712</a>	150,00 €	52	Fuel accumulator e.g. 300SL, ..., Bosch	<a href="#">747711</a>	356,36 €
54	Grommet for Fuel Pump Wiring	<a href="#">299018</a>	2,53 €	54	Fuel pump 06.76->08.85+300SL	<a href="#">747006</a>	71,61 €
54	Fuel pump e.g. KE-types, Pierburg	<a href="#">747047</a>	200,84 €	54	Fuel pump, fits K/KE- singlepump arrangement, BOSCH	<a href="#">747947</a>	114,24 €
54	Fuel Pump, fits KE - twin arrangement, Bosch	<a href="#">947147</a>	148,63 €	54	Fuel pump div. K-Jet, Pierburg	<a href="#">747106</a>	176,49 €
59	Rubber buffer,fuel pump,late	<a href="#">247023</a>	4,74 €	60	A0000900310	<a href="#">747142</a>	22,50 €
61	Nut, 5mm, right hand thread	<a href="#">199095</a>	0,24 €	64	1m. Fuel hose 7,5x13,0 flat surface	<a href="#">247007</a>	8,50 €
65	Spring clamp 13mm	<a href="#">747995</a>	2,25 €	67	Spring clamp fits 15mm Hose	<a href="#">747996</a>	1,79 €
75	116 997 3481 Rubber grommet	<a href="#">798760</a>	2,38 €	79	1m Vac line PA, black, 4x6 (=6x1)	<a href="#">747175</a>	0,62 €
79	Vac hose conn. w.reducer	<a href="#">707187</a>	4,78 €	82	Hose, filter->feed line from 85->	<a href="#">747931</a>	50,50 €
88	A1244760240	<a href="#">747042</a>	4,11 €	90	Grommet 6/26, 45°, e.g. hydr-line clutc	<a href="#">299001</a>	2,68 €
93	cable clip e.g. fuel hose	<a href="#">747994</a>	1,42 €	95	3-way Clamp Fuel Pipes, W113 (EU)	<a href="#">247040</a>	2,90 €
96	Clamping Bolt M6 for square bodypanel holes	<a href="#">188036</a>	7,90 €	97	Hex nut M6, yellow zinc.	<a href="#">181023</a>	0,18 €
103	Clamp, fuel pipes	<a href="#">247049</a>	2,68 €	104	Rubber ring, wiper motor	<a href="#">282407</a>	0,77 €
105	clamp inlay	<a href="#">747038</a>	1,84 €	106	Fuel and brake line clamp, for 30mm rubbers	<a href="#">147014</a>	2,32 €
154	Fuel pump relay, V8 from '85, 10-Pin	<a href="#">754825</a>	58,85 €	154	Fuel pump relay, V8 from '85, 10-Pin	<a href="#">754325</a>	36,21 €
154	Rest: Meyle FP-Relay 0148000032 (0035452405)	<a href="#">754321</a>	101,15 €	168	Damping insert tank on screw screen	<a href="#">747682</a>	5,31 €

## 47.b Pump packages between 1976 and 1985

Picture for the years of construction 1976 to 1985 (K-Jet with single pump): with numerous small changes, the pump environment was gradually developed: - after replacement of the D-Jetronic: installation of a pressure accumulator (behind the filter) - Use of in-line pump (replacement of the pump with transverse outlet) - Arrangement changed: accumulator turned and pipe connection parallel to the filter - Pressure compensation line with valve added, pressure side of the accumulator only one connection - Non-return valve on the pump pressure side (later included in the scope of delivery of all pumps) - Pressure compensation line with valve is omitted again - cross-section of the suction side enlarged, affects the pump, suction hose and suction damper (nozzle larger, housing diameter smaller), as a result, the connected hoses are also different. Pump holder and cover changed several times. All changes to the filter were environmentally compatible, the latest version fits all of them, but diameter adjustment before ordering is strongly recommended. When ordering the other components, the execution must be viewed beforehand. Hoses sold by the meter are supplied without a protective cover or insulation.



	Fuel pump relay, V8 from '85, 10-Pin	<a href="#">754325</a>	36,21 €	clamp inlay	<a href="#">747038</a>	1,84 €
	round cover above fuel sender,Repro	<a href="#">247814</a>	5,20 €	Fuel strainer in fuel tank, w.seal	<a href="#">747713</a>	35,76 €
	Rest: Meyle FP-Relay 0148000032 (0035452405)	<a href="#">754321</a>	101,15 €	rubber inlay, for 3 pipes (8 + 8 + 5mm)	<a href="#">247859</a>	5,63 €
	Fuel pump relay, V8 from '85, 10-Pin	<a href="#">754825</a>	58,85 €	Fuel Pump Check Valve	<a href="#">747141</a>	29,69 €
	Hose, filter->feed line from 85->	<a href="#">747931</a>	50,50 €	Rubber grommet 3/26 e.g. fuel tank vent pipe	<a href="#">798860</a>	1,87 €
	El. relay, 5-pin see pict, div. applications	<a href="#">754329</a>	17,85 €	grommet, hose protection, e.g. fuel hose	<a href="#">798847</a>	1,87 €
	Fuel pressure accumulator 02/79 - 08/85, Repro	<a href="#">747810</a>	215,39 €	A1079972481 grommet, fits ca up to 07.'80	<a href="#">747017</a>	10,00 €
	Ring eyelet, crimp, uninsulated, high-temp. MS sn, ID5.3	<a href="#">997988</a>	0,33 €	rubber buffer, fuel filler door 108,111,SLC107	<a href="#">398795</a>	2,30 €
	Fuel strainer in fuel tank, W107, W116, ... does not fit Diesel	<a href="#">747612</a>	20,23 €	hose clamp 10-16, worm thread style	<a href="#">999888</a>	1,84 €
	hose clamp 12mm	<a href="#">747992</a>	1,32 €	Rubber buffer SL filler flap, 2x needed	<a href="#">798787</a>	2,21 €
2	Seal ring, sump plug	<a href="#">299303</a>	0,13 €	4 Hollow screw M12 x 1,5	<a href="#">747146</a>	2,64 €
5	threaded cap, fuel studs	<a href="#">747143</a>	3,96 €	10 Fuelpump 06.76->08.85+300SL	<a href="#">747006</a>	71,61 €
10	Fuel pump div. K-Jet, Pierburg	<a href="#">747106</a>	176,49 €	15 Fuel filter 6.'76 up to FN, D75mm "Mann"	<a href="#">747700</a>	28,42 €
15	Fuel filter D 81mm, all from '85->	<a href="#">747701</a>	40,73 €	20 Fuel accumulator K-Jet up to 02.'79, Repro	<a href="#">747609</a>	142,75 €
20	Fuel accumulator K-Jet up to 02.'79, Bosch	<a href="#">747709</a>	298,99 €	21 Fuel pressure accumulator 02/79 - 08/85, Bosch	<a href="#">747710</a>	359,75 €
31	flow damper from ca.5'77, 3 studs	<a href="#">747716</a>	96,82 €	35 1m Fuel hose tank->pump 11/17mm, fabric	<a href="#">247005</a>	10,41 €
35	1m Fuel Hose 14/22mm	<a href="#">747029</a>	37,28 €	36 Fuel hose 13 x 20mm, plain mantle	<a href="#">747027</a>	27,19 €
40	Fuel hose 11x17 w. tank fitting	<a href="#">747004</a>	40,28 €	42 Fuel hose 14x20 w. threaded fitting	<a href="#">747002</a>	19,50 €
50	Fuel hose line, pump to filter	<a href="#">747138</a>	21,00 €	50 1m fuel hose 7,5x12,5 fabric surface	<a href="#">247807</a>	7,13 €

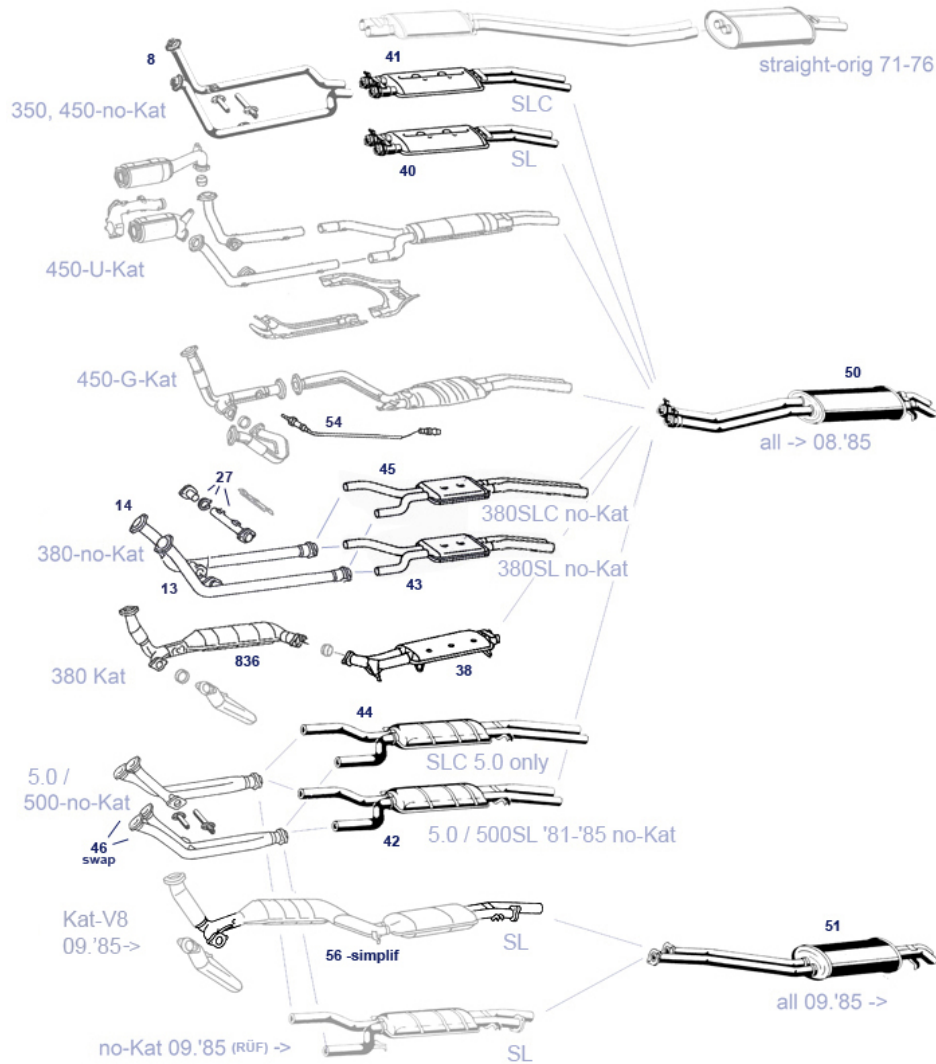
53	fuel line, pump to reservoir, 107: 03.'80 - 08.'85. 126 div	<a href="#">747151</a>	69,90 €	55	Fuel hose filter->damper K-Jet->78	<a href="#">747110</a>	20,69 €
60	Fuel hose line, filter to feed-line	<a href="#">747028</a>	6,94 €	60	Fuel hose, damper->feed line, FN !	<a href="#">747148</a>	16,90 €
63	Fuel hose, return, 8-Cyl. EUR ->85	<a href="#">747041</a>	105,55 €	65	fuel hose filter to supply line	<a href="#">747728</a>	49,99 €
66	Fuel hose, filter->feed line	<a href="#">747127</a>	55,99 €	68	1m Fuel hose 5,5mm e.g. 107-fuel vent.	<a href="#">247847</a>	3,92 €
81	Counter sunk screw, eg wing to rail	<a href="#">799930</a>	0,38 €	85	Upper Bracket, fuel pump assy	<a href="#">547080</a>	19,90 €
86	Rubber buffer,fuel pump,late	<a href="#">247023</a>	4,74 €	90	Bolt M5 x 40 eg. FP-support	<a href="#">799847</a>	0,56 €
90	Bracket for 1 pump and 1 filter	<a href="#">547081</a>	82,40 €	92	bracket for fuel pressure reservoir repro ref 1264700281	<a href="#">747082</a>	23,07 €
97	hose clamp 17mm	<a href="#">747993</a>	1,32 €	97	hose clamp, stainless steel, for 20mm	<a href="#">997898</a>	12,79 €
154	fuel pump relais 3.8/5.0 early models	<a href="#">754322</a>	173,74 €	154	Relay, idle contr., fuel-pump, 7-pin, 380US '83->	<a href="#">754305</a>	93,99 €
154	Pump relay V8, ca. 81-85, 7 pin	<a href="#">754327</a>	70,21 €	154	Fuel pump relay 3.8/4.5 US, FN ! 6-pin, URO	<a href="#">754384</a>	94,00 €



## 49 Exhaust System

### 49.b Exhaust systems 8-Cylinder

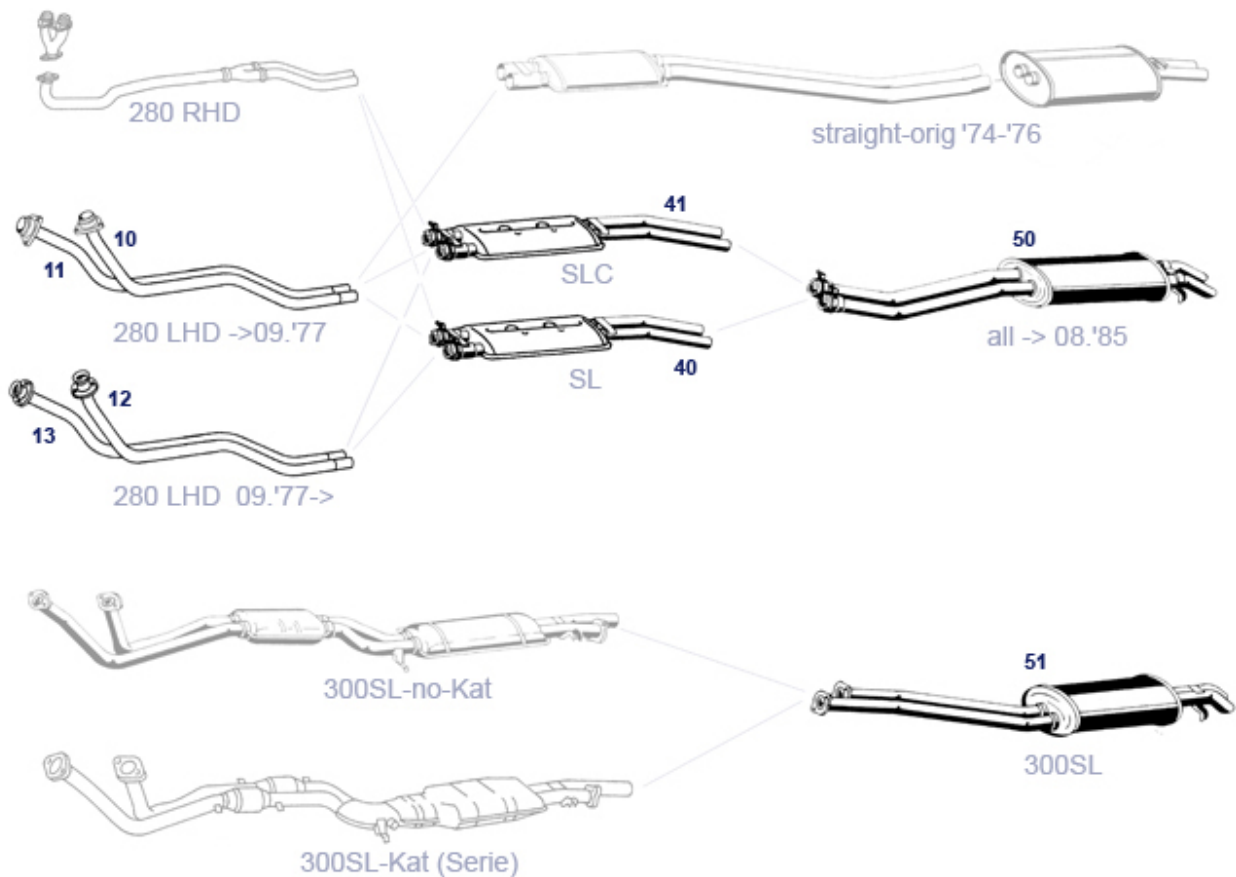
49.b Exhaust systems 8-Cylinder



	Lambda sond e.g. 560 US	<a href="#">754620</a>	130,50 €		universal catalytic converter for welding	<a href="#">749766</a>	311,78 €
8	Hex. bolts zinc plated, M8 X 65	<a href="#">749850</a>	1,21 €	8	sleeve clamp 50mm	<a href="#">949018</a>	8,95 €
14	Set front pipes 350SL/SLC 1st generation	<a href="#">749805</a>	190,40 €	13	Frontpipe LHD-Euro- 380SL/C, 420SL Lt	<a href="#">749813</a>	269,99 €
27	Frontpipe LHD-Euro- 380SL/C, 420SL Rt	<a href="#">749814</a>	269,99 €	27	Exh.clamp 36mm, 8-cyl. fr. w/o cat.	<a href="#">749858</a>	4,70 €
38	Balance pipes late Euro-V8	<a href="#">749727</a>	239,00 €	38	ctre silencer after 380SL-US-Cat	<a href="#">749721</a>	368,50 €
40	O' ring, front V8: 5 Ltr+300,420SL	<a href="#">749072</a>	2,67 €	40	Mid.-Silencer	<a href="#">749720</a>	219,00 €
41	Mid.-Silencer 280SL, 350-450SL, no Kat,Aftermarket	<a href="#">749120</a>	195,35 €	41	280,350,450SL,8kg,nearly OE-shape		
42	Ctre silencer 380SL, Aftermarket	<a href="#">749824</a>	505,69 €	47	Ctre silencer SLC->'80,zn-al-plated	<a href="#">749121</a>	333,33 €
50	rr "sport" muffler, stainless, brand "Eisenmann"	<a href="#">749530</a>	1.199,00 €	50	A1074913301 Mid. box 420-500SL "RÜF"	<a href="#">749029</a>	698,99 €
50	Rr.silencer->8.85,zn-al-plated	<a href="#">749130</a>	196,35 €	51	Rear silencer R107, up to 8.85, brand Walker	<a href="#">749131</a>	205,86 €
54	O2-sond e.g. 380US up to VIN	<a href="#">754218</a>	55,19 €	56-simplif	End box 300/420/500SL from 09.1985	<a href="#">749835</a>	287,59 €
				56-simplif	catalytic converter 560SL, US, EPA signed	<a href="#">749837</a>	1.277,71 €

## 49.c Exhaust systems 6-Cylinder

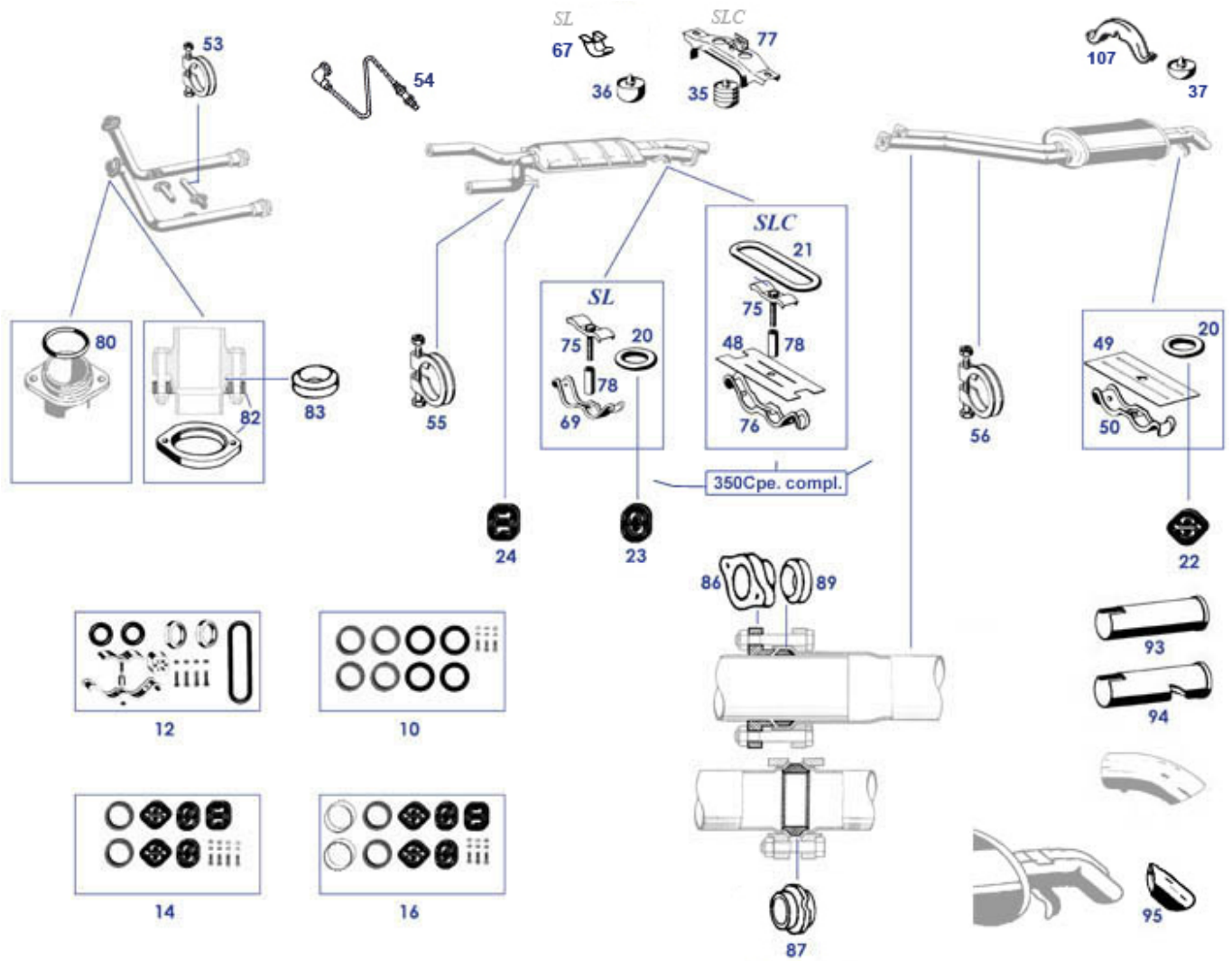
49.c Exhaust systems 6-Cylinder



	Mid.-Silencer 280,350,450SL,8kg,nearly OE- shape	<a href="#">749720</a>	219,00 €		Hex. bolts zinc plated, M8 X 65	<a href="#">749850</a>	1,21 €
10	Frontpipe 280SL/SLC, Lt. FN	<a href="#">749901</a>	169,00 €	11	Frontpipe 280SL/SLC, Rt. FN	<a href="#">749902</a>	169,00 €
12	Frontpipe 280SL/SLC LHD, late, LH	<a href="#">749003</a>	188,50 €	13	Frontpipe 280SL/SLC LHD late RH	<a href="#">749004</a>	188,50 €
16	Frontpipe + mid. box 300SL 107.041 LHD-No-Kat	<a href="#">749817</a>	2.499,00 €	40	Mid.-Silencer 280SL, 350-450SL, no Kat,Aftermarket	<a href="#">749120</a>	195,35 €
41	Ctre silencer SLC->'80,zn-al-plated	<a href="#">749121</a>	333,33 €	50	Rr.silencer->8.85,zn-al-plated	<a href="#">749130</a>	196,35 €
50	Rear silencer R107, up to 8.85, brand Walker	<a href="#">749131</a>	205,86 €	50	rr "sport" muffler, stainless, brand "Eisenmann"	<a href="#">749530</a>	1.199,00 €

## 49.e Exhaust Fitment Parts

49.e Exhaust Fitment Parts



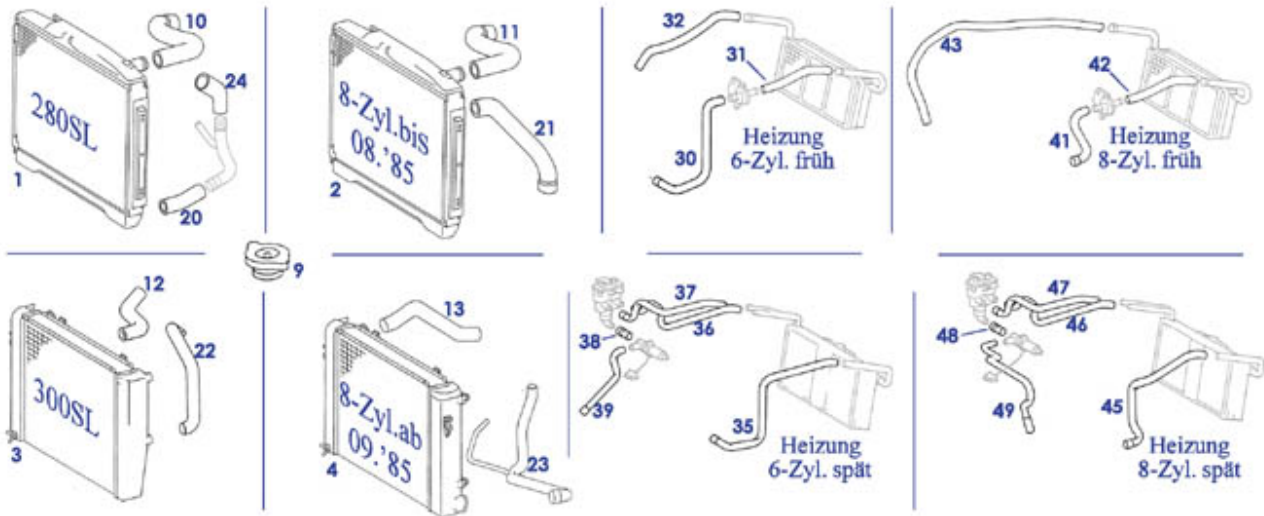
	Lambda sond e.g. 560 US	<a href="#">754620</a>	130,50 €		Double hanger bracket, R107	<a href="#">749048</a>	7,44 €
	seal ring AL-shells, 45mm, 09.85->rr.Rt.	<a href="#">749863</a>	1,21 €		Shield LHD, 107, 111/108late	<a href="#">749070</a>	78,43 €
10	Basic fittings,280,350,450SL/SLC	<a href="#">749045</a>	18,21 €	12	Add. fittings, V8: 03.80->08.85	<a href="#">749041</a>	43,90 €
14	Additional fittings 300SL	<a href="#">749043</a>	30,35 €	16	Small kit, exh.-mounts V8 '85->, aftermarket quality	<a href="#">749840</a>	26,70 €
20	inner diameter 30, rubberstring 15	<a href="#">249019</a>	1,90 €	21	Rubber exhaust hanger, long = SLC center	<a href="#">749038</a>	4,45 €
22	Hanger, rbr., end box 09.85->	<a href="#">749019</a>	12,16 €	23	Rubber mount ring, ctre, from 09.85	<a href="#">749059</a>	3,20 €
24	O' ring, front V8: 5 Ltr+300,420SL	<a href="#">749072</a>	2,67 €	24	Rubbermount, front V8: 5 Ltr+300,420SL	<a href="#">749972</a>	1,43 €
35	Rubber buffer, exhaust	<a href="#">798747</a>	0,92 €	37	Rubber buffer R/C 107 end silencer	<a href="#">798649</a>	3,81 €
50	exhaust hanger, fits 107 rear up to FN, 111FN	<a href="#">749853</a>	9,64 €	53	Exh.clamp 36mm, 8-cyl. fr. w/o cat.	<a href="#">749858</a>	4,70 €
53	Bolt M8 V8 early cross pipe frt exhaust	<a href="#">749348</a>	0,64 €	54	Lambda sond e.g. 420/500 '85->, MTE	<a href="#">754719</a>	76,47 €
54	O2 sensor, e.g. R129 3.0 / 5.0, repl.0095420617	<a href="#">949154</a>	78,84 €	54	Lambda sond MTE, e.g. KE 4-Zyl. M102	<a href="#">754319</a>	78,90 €
54	O2-sond e.g. 380US up to VIN	<a href="#">754218</a>	55,19 €	54	Universal Lambda-Sond, Bosch, 3-wire	<a href="#">754119</a>	103,80 €
55	Exh.clamp 53.5mm, ->03.80	<a href="#">749057</a>	1,93 €	55	sleeve clamp 50mm	<a href="#">949018</a>	8,95 €
56	Exhaust clamp, 51mm	<a href="#">149017</a>	3,96 €	69	Double hanger bracket, R107 behind ctre.sil.	<a href="#">749848</a>	7,74 €
75	Exhaust Bracket R/C107, W111 Coupe.3.5   A1094900343	<a href="#">749046</a>	9,22 €	76	Double hanger bracket. SLC, C111..	<a href="#">749854</a>	16,24 €
77	Bracket, SLC-floor, ref.-No. A1074900240	<a href="#">749047</a>	82,15 €	78	Spacer for Exhaust Hanger Bracket	<a href="#">249847</a>	3,99 €
80	Dichtung Krümmer M110	<a href="#">714298</a>	0,81 €	80	Gkt.,outlet manif./cyl. head gasket ring, 45 / 53,5	<a href="#">714290</a>	0,57 €
80	Sealing ring, exhaust manif.	<a href="#">249060</a>	2,37 €	80		<a href="#">749060</a>	2,50 €

80	Manif.ring 350/350SL/C ->11.78	<a href="#">749066</a>	1,63 €	82	Bolt M8x50, e.g. exh front pipe flange	<a href="#">249049</a>	1,26 €
82	Nut M8, copper, hex 12	<a href="#">514008</a>	1,90 €	83	Ball ring 280SL/C FN	<a href="#">749064</a>	10,45 €
86	Hex. bolts zinc plated, M8 X 65	<a href="#">749850</a>	1,21 €	87	Sintered metal ring 41mm	<a href="#">749061</a>	3,31 €
87	Sintered metal ring 46mm, eg. 107-85-> cat crosspipe	<a href="#">749062</a>	3,95 €	89	Seal ring, frt pipe 49mm	<a href="#">749968</a>	10,40 €
89	Al. gr. ring 45mm, 09.85-> rr.Rt.	<a href="#">749063</a>	2,56 €	89	Steel gauze seal ring, frt pipe 49mm	<a href="#">749068</a>	5,65 €
94							

## 50, 20, 83 Cooling System

### 50, 20, 83 Radiator and Waterhoses, main

50, 20, 83 Radiator and Waterhoses, main



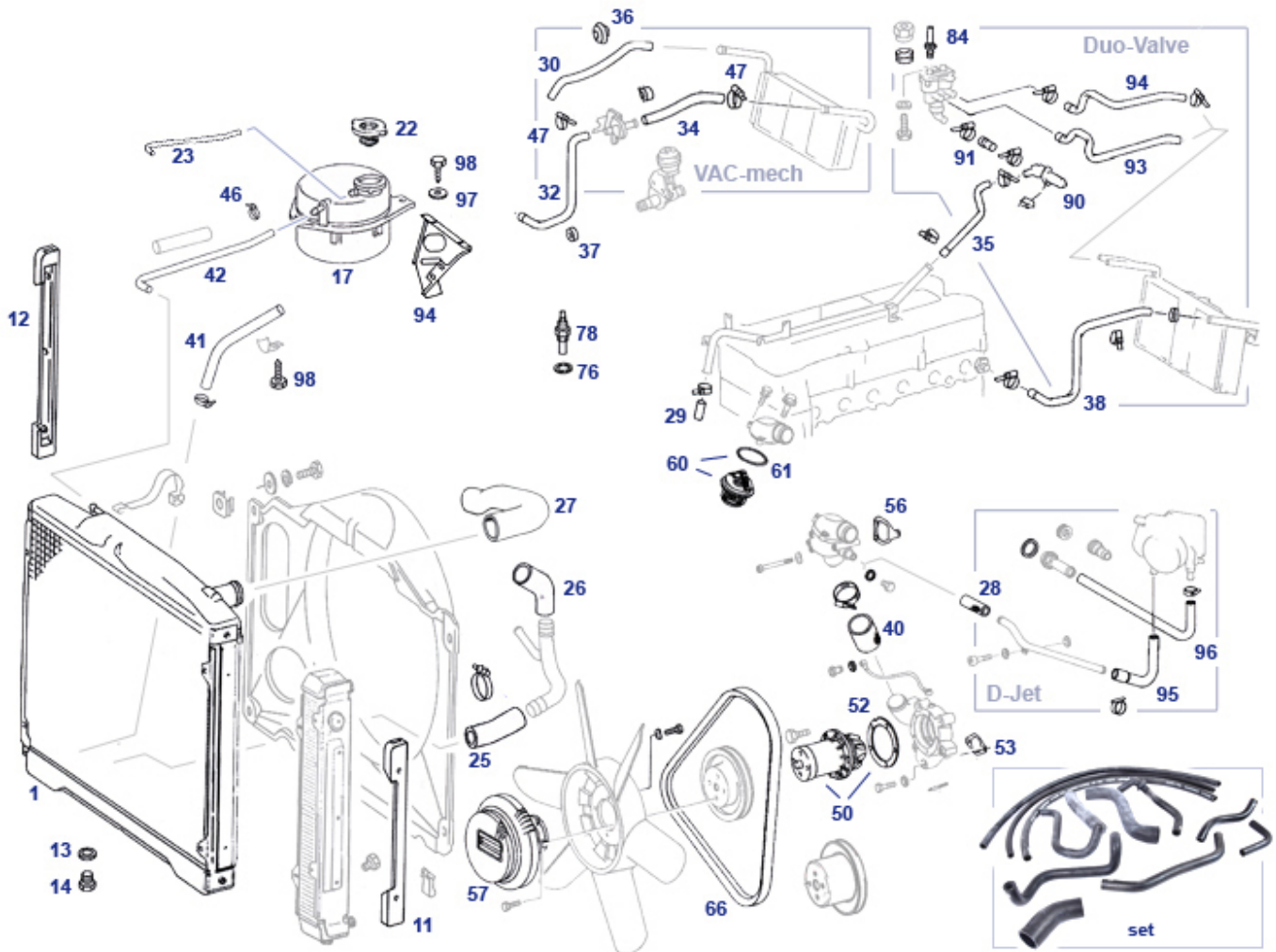
	1m cooling water hose 12/19mm	<a href="#">250823</a>	7,14 €		bracket for reservoir, can replace other variants	<a href="#">750039</a>	36,00 €
	Pipe,water air venting M110	<a href="#">720205</a>	2,32 €		Rest: Water Pump 3.5/4.5, Version ...0801	<a href="#">720018</a>	146,87 €
	Hose V8 late, waterpump->intake, D42/L58	<a href="#">750605</a>	5,80 €		1 m water hose i-D 42mm	<a href="#">750705</a>	36,16 €
	Rad.hose lr.280SL/C FN	<a href="#">750814</a>	10,50 €		fan clutch M116/117	<a href="#">720630</a>	89,00 €
	hex. head tapping screw with cone end, zinc plated 4,8 X 19	<a href="#">799723</a>	0,19 €	2	Fan blade M116/M117 from FN	<a href="#">720403</a>	202,70 €
2	Water pump V8 FN (.962), comes with pulley	<a href="#">720025</a>	142,79 €	2	Plastic rivet e.g. lower fan duct	<a href="#">788992</a>	0,43 €
3	waterpump M103 Autom.	<a href="#">720829</a>	133,18 €	3	Seal ring M103... water pump to engine	<a href="#">920311</a>	1,36 €
4	Radiator 420SL, 500SL from 09.'85, 560SL	<a href="#">750008</a>	1.844,50 €	4	buffer water cooler	<a href="#">750856</a>	5,36 €
4	Water pump 420SL, 500SL '85->, 560SL	<a href="#">720024</a>	151,00 €	4	Plug rivet for square hole eg, lower rad.cover	<a href="#">788991</a>	1,32 €
9	coolant reservoir, late version = fits level sensor	<a href="#">750732</a>	120,90 €	9	Radiator cap ref A 123 501 0215 char-id 110	<a href="#">550016</a>	5,36 €
9	Radiator cap ref A 123 501 0215 char-id 120	<a href="#">750016</a>	4,41 €	10	Rad.hose280SL/C Rad./thermo	<a href="#">750012</a>	26,64 €
11	Rad.hose upper, 380/500SL 09.81->	<a href="#">750022</a>	19,00 €	11	Rad.hose up. 380/500SL/C->08.81	<a href="#">750021</a>	32,78 €
11	Rad.hose up. 350/450SL/C	<a href="#">750019</a>	13,70 €	12	Cooling w.hose 300SL radiator/reservoir	<a href="#">750018</a>	24,59 €
12	Radiator hose upper, 300SL	<a href="#">750023</a>	17,08 €	12	Water hose, thermostate->head e.g. 129.060	<a href="#">950304</a>	5,95 €
13	Rad.hose upper, V8 from 09.85->	<a href="#">750020</a>	20,44 €	21	Rad.hose 350/450SL/C	<a href="#">750024</a>	37,00 €
21	Radiator hose 380-500SL, data required	<a href="#">750015</a>	32,78 €	21	Rad.hose lower, various 8-cyl. W107	<a href="#">750025</a>	39,60 €
21	Lower Rad hose 380SL/C Export (AUS/S/JP)	<a href="#">750037</a>	7,34 €	22	Rad.hose lr.300SL fr. A 082029->	<a href="#">750029</a>	21,59 €
22	Rad.hose lr.300SL -> A 082028	<a href="#">750028</a>	30,06 €	23	Rad.hose lr.420/500/560 from 09.85	<a href="#">750027</a>	96,50 €
24	Rad.hose to WaPu 280SL/C	<a href="#">750033</a>	15,70 €	24	Water pump M110-Limo: 280/C/C/SE VIN!pl	<a href="#">620020</a>	59,95 €
30	Rad.hose htg. left - FN -	<a href="#">750083</a>	28,00 €	30	Rad.hose htg. Lt. 2.8 FN	<a href="#">750084</a>	7,13 €
30	Rad.hose htg. left	<a href="#">750082</a>	23,22 €	30	Hose clamp 23-31mm, worm thread style	<a href="#">750042</a>	1,09 €
31	CL hose heater, feed, all RHD, LHD->82	<a href="#">750881</a>	19,14 €	32	CL hose, heater return R6 RHD (LHD->82)	<a href="#">750880</a>	19,14 €
35	Rad.hose htg. 280SL Lt.	<a href="#">750085</a>	23,91 €	36	Return hose, heater to Duovalve, (rh hose)	<a href="#">750086</a>	16,37 €



37	Return hose, heater to Duovalve, (rh hose)	<a href="#">750087</a>	24,59 €	39	Water hose 280SL el-pump -> return pipe	<a href="#">750089</a>	15,71 €
39	Rad.hose htg. Rt.	<a href="#">750070</a>	14,73 €	41	CL hose heater, feed, 3,5 , 3.8 FN	<a href="#">750879</a>	19,14 €
41	CL hose heater, feed, M117 w.vac-valve	<a href="#">750876</a>	15,02 €	43	return water pipe M116.98xx	<a href="#">783885</a>	49,98 €
43	Heater return hose, early V8 (Vac-valve)	<a href="#">750877</a>	19,14 €	43	Rad.hose htg. 380-500 FN Rt.	<a href="#">750073</a>	23,22 €
45	Cooling hose engheater please vehicle data	<a href="#">750074</a>	29,14 €	45	Water hose M117 LHD heater feed from ca. 08.'81	<a href="#">750072</a>	15,71 €

## 50.b 20, 83 Cooling system 280 only

50.b 20, 83 Cooling system 280 only

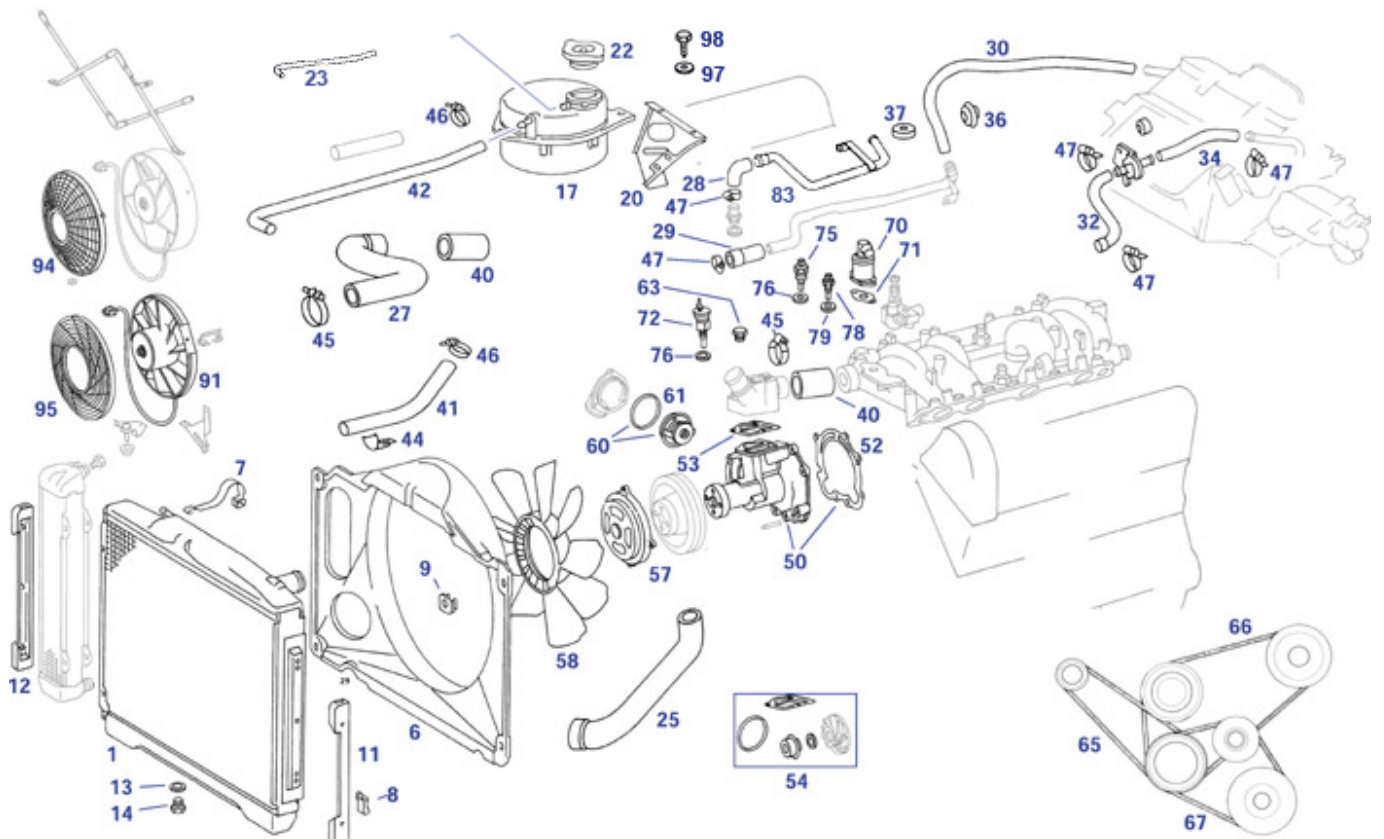


	Seal ring 18x22 Al	<a href="#">109019</a>	0,94 €		el. aux fan (frt mounted) div. 123, 107, ..	<a href="#">750851</a>	149,99 €
	Washer, Star/frame	<a href="#">288047</a>	0,55 €		see 207115 Copper shim	<a href="#">799309</a>	1,06 €
vac early	Vac-diaphragm, valve open housg	<a href="#">783146</a>	21,12 €	vac early	Vac diaphragm, valve "closed housg"	<a href="#">783145</a>	19,99 €
vac early	A1078002475 Vac Element e.g. heater ctrl FN	<a href="#">780103</a>	226,10 €		el. aux fan (frt mounted) div. 123, 107, ..	<a href="#">750751</a>	137,30 €
bolt	Screw W108 front cross member	<a href="#">233067</a>	0,43 €	1	cage nut M5	<a href="#">750063</a>	0,94 €
11	Rubber support, radiator LH	<a href="#">750057</a>	7,96 €	11	A0039880678	<a href="#">750062</a>	2,20 €
12	Rubber support, radiator RH	<a href="#">750058</a>	7,96 €	13	Copper seal ring	<a href="#">207115</a>	0,18 €
14	Drain plug screw M14 x 1,5 (rad. / eng,...)	<a href="#">250027</a>	2,70 €	17	Expension Tank for Cooling Water (mid. Gen.)	<a href="#">750831</a>	168,50 €
22	Radiator cap ref A 123 501 0215 char-id 120	<a href="#">750016</a>	4,41 €	22	Radiator cap ref A 123 501 0215 char-id 110	<a href="#">550016</a>	5,36 €
25	Rad.hose lr.280SL/C FN	<a href="#">750814</a>	10,50 €	26	Rad.hose to WaPu 280SL/C	<a href="#">750033</a>	15,70 €
27	Rad.hose280SL/C Rad./thermo	<a href="#">750012</a>	26,64 €	27	Hose clamp 46-54mm	<a href="#">750346</a>	1,08 €
28	1m water hose 15 x 24mm	<a href="#">350016</a>	19,99 €	29	Hose clamp 23-31mm, worm thread	<a href="#">750042</a>	1,09 €

30	CL hose, heater return R6 RHD (LHD:>82)	<a href="#">750880</a>	19,14 €	32	style Rad.hose htg. Lt. 2.8 FN	<a href="#">750084</a>	7,13 €
32	Rad.hose htg. left - FN -	<a href="#">750083</a>	28,00 €	34	CL hose heater, feed, all RHD, LHD->82	<a href="#">750881</a>	19,14 €
35	Water hose 280SL el-pump -> return pipe	<a href="#">750089</a>	15,71 €	36	Rubbergrommet, e.g:waterpipe	<a href="#">799004</a>	9,97 €
36	Rubbergrommet, heat.return Rt. or drain 108boot	<a href="#">799003</a>	13,01 €	37	Foam ring, heater tube	<a href="#">750395</a>	3,32 €
38	Rad.hose htg. 280SL Lt.	<a href="#">750085</a>	23,91 €	41	Hoseclamp 15mm to 21mm, worm thread style	<a href="#">250042</a>	2,07 €
41	Water hose, i/D 18mm per metre	<a href="#">250019</a>	19,10 €	42	Water hose, 8/15mm per metre	<a href="#">250016</a>	24,50 €
50	Water pump 280SL/SE, 107: M110, 90mm	<a href="#">220825</a>	83,60 €	50	Water pump 90mm, most 280 (113 108 107)	<a href="#">220025</a>	38,52 €
52	Water Pump to Hsg. gasket	<a href="#">120009</a>	1,02 €	53	Gasket, housing to engine	<a href="#">220014</a>	1,25 €
56	Sealing ring ID8, eg. for hollow screw	<a href="#">220011</a>	0,10 €	57	Visco fan coupling, M129,130E,110, FEBI	<a href="#">220530</a>	147,25 €
57	Visco fan coupling, M129,130E,110, DASIS	<a href="#">220630</a>	129,89 €	57	Visco fan coupling, M129,130E,110, Meyle	<a href="#">220030</a>	93,19 €
57	Bolt M8 x 15 hex 10, fan pulley to water pump	<a href="#">220049</a>	5,97 €	58	Pipe,water air venting M110	<a href="#">720205</a>	2,32 €
58	Hollow screw, air venting	<a href="#">220010</a>	2,48 €	60	Thermostate element 280SL/C+300SL 87°	<a href="#">720008</a>	13,90 €
60	Thermostat cartridge/gkt. 83°	<a href="#">220009</a>	16,21 €	60	thermostat 87°C, 280SL + 300SL, Marelli, ref.No. A1102000515	<a href="#">720108</a>	6,25 €
61	Seal ring	<a href="#">220016</a>	1,31 €	66	V belt 10 X 960/965	<a href="#">799119</a>	5,36 €
78	Sender unit, coolant temp.gauge	<a href="#">754097</a>	6,66 €	84	Rubber grommet 10/15, taillight bucket 190SL, 107	<a href="#">199020</a>	1,08 €
84	Rep-kit for electrical heater valve	<a href="#">783054</a>	26,00 €	93	Hose clamp 18-27, worm thread style	<a href="#">999898</a>	4,07 €
93	Hose clamp 24-32, worm thread style	<a href="#">999889</a>	1,51 €	93	Return hose, heater to Duovalve, (rh hose)	<a href="#">750086</a>	16,37 €
94	A1079973881 Grommet 10/58mm, 2 heater t	<a href="#">799002</a>	8,43 €	94	Return hose, heater to Duovalve, (rh hose)	<a href="#">750087</a>	24,59 €
94	bracket for reservoir, can replace other variants	<a href="#">750039</a>	36,00 €	95	water hose M110.982 @throttle flap	<a href="#">750221</a>	8,81 €
96	1m cooling water hose 12/19mm	<a href="#">250823</a>	7,14 €	98	panelling screw Hex8, e.g. bumper 12 frt / 26 rr	<a href="#">799938</a>	0,32 €
98	holding clamp for water hose	<a href="#">750098</a>	7,38 €	98	Metal screw 4,2x13 SW7   N007976004203	<a href="#">299044</a>	0,44 €

## 50.a, 20, 83 Cooling System 3.5 / 4.5 only

50.a, 20, 83 Cooling System 3.5 / 4.5 only



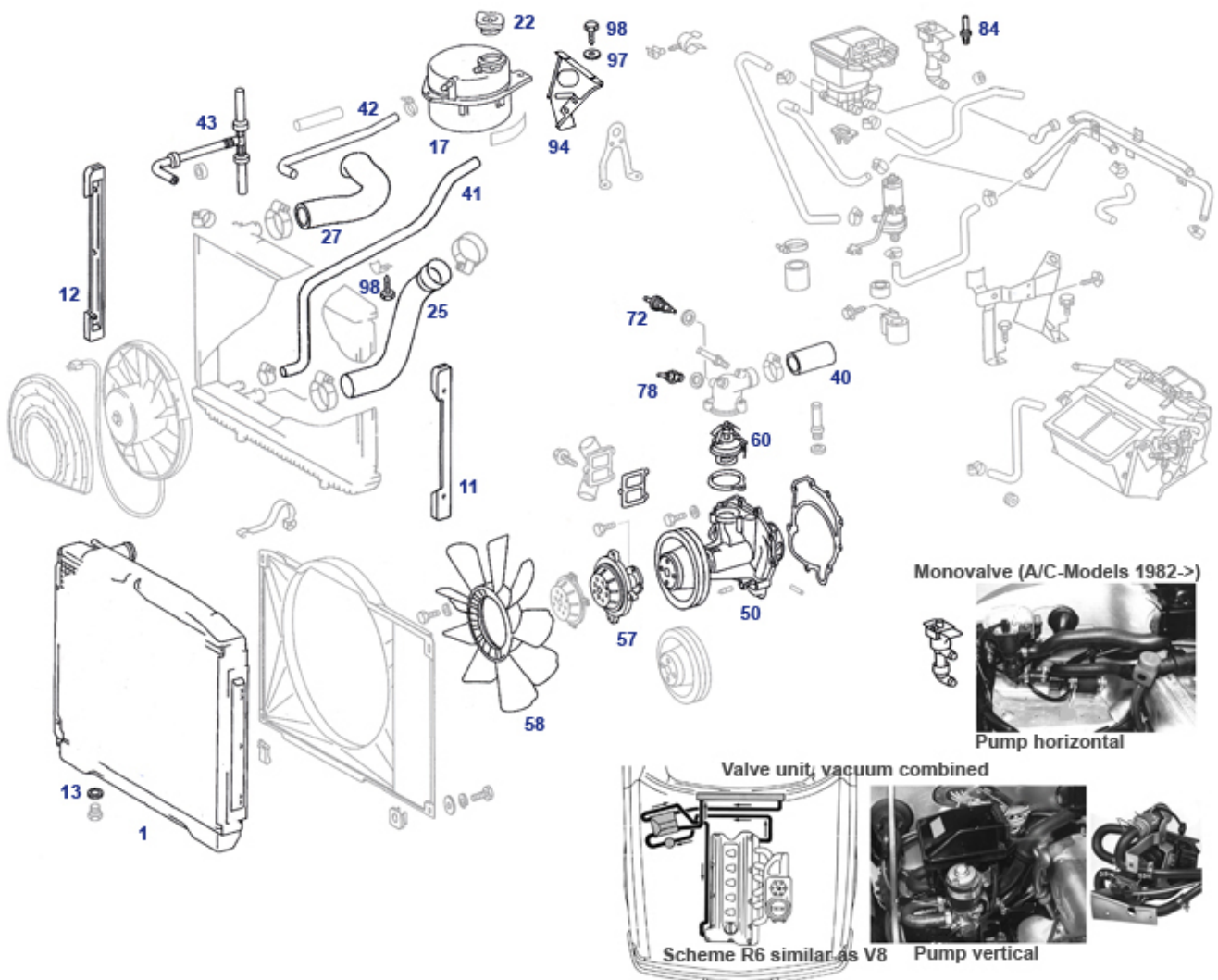
Cooling system circuit for iron cast V8, standard equipped / european:  
illustration no A/C, no electric pump

	Hose V8 late, waterpump->intake, D42/L58	<a href="#">750605</a>	5,80 €		1m cooling water hose 12/19mm	<a href="#">250823</a>	7,14 €
	Rest: Water Pump 3.5/4.5, Version ...0801	<a href="#">720018</a>	146,87 €		Hose, heater feed pipe to el.pump, 450from, 380up-to	<a href="#">750893</a>	8,93 €
	Hose, heater return to US valve-block unit 450+380->81	<a href="#">750894</a>	12,11 €		belt pulley e.g. A/C, data required	<a href="#">713399</a>	48,97 €
	water stud M116 heat return to pump	<a href="#">720091</a>	36,62 €		1 m water hose i-D 42mm	<a href="#">750705</a>	36,16 €
	Water hose to engine450 return pipe	<a href="#">750810</a>	20,13 €		O-ring, eng. housg	<a href="#">218412</a>	0,55 €
8	A0039880678	<a href="#">750062</a>	2,20 €	9	cage nut M5	<a href="#">750063</a>	0,94 €
11	Rubber support, radiator LH	<a href="#">750057</a>	7,96 €	12	Rubber support, radiator RH	<a href="#">750058</a>	7,96 €
13	see 207115 Copper shim	<a href="#">799309</a>	1,06 €	17	Expension Tank for Cooling Water (mid. Gen.)	<a href="#">750831</a>	168,50 €
17	Coolg liquid reservoir, mid.generation	<a href="#">750031</a>	97,04 €	20	bracket for reservoir, can replace other variants	<a href="#">750039</a>	36,00 €
22	Radiator cap ref A 123 501 0215 char-id 120	<a href="#">750016</a>	4,41 €	25	Rad.hose 350/450SL/C	<a href="#">750024</a>	37,00 €
27	Rad.hose up. 350/450SL/C	<a href="#">750019</a>	13,70 €	28	water hose, V8 return pipe to thermhous	<a href="#">750304</a>	14,99 €
29	Hose,thermostate housg. 3.5/4.5 K-Jet	<a href="#">750404</a>	18,92 €	30	Heater return hose, early V8 (Vac-valve)	<a href="#">750877</a>	19,14 €
32	CL hose heater, feed, M117 w.vac-valve	<a href="#">750876</a>	15,02 €	32	CL hose heater, feed, 3.5 , 3.8 FN	<a href="#">750879</a>	19,14 €
34	CL hose heater, feed, all RHD, LHD->82	<a href="#">750881</a>	19,14 €	36	Rubbergrommet, heat.return Rt. or drain 108boot	<a href="#">799003</a>	13,01 €
37	Foam ring, heater tube	<a href="#">750395</a>	3,32 €	41	Water hose, i/D 18mm per metre	<a href="#">250019</a>	19,10 €
42	Hose CL overflow T-pipe	<a href="#">750316</a>	48,90 €	42	Water hose, 8/15mm per metre	<a href="#">250016</a>	24,50 €
44	holding clamp for water hose	<a href="#">750098</a>	7,38 €	45	Hose clamp 46-54mm	<a href="#">750346</a>	1,08 €
46	Hoseclamp 15mm to 21mm, worm thread style	<a href="#">250042</a>	2,07 €	47	Hose clamp 23-31mm, worm thread style	<a href="#">750042</a>	1,09 €
50	Water pump 3.5/4.5, FEBI	<a href="#">720020</a>	79,49 €	57	visco blower clutch V8, mid.gen. hole circle 4 x 44,3 /	<a href="#">720330</a>	149,99 €
60	thermostat 350-500SL/SLC, 75°C+o-ring	<a href="#">720009</a>	13,13 €	60	thermostat 350-500SL/SLC, 75°C+o-ring, Marelli, ref.-No	<a href="#">720109</a>	6,45 €
61	Seal ring	<a href="#">220016</a>	1,31 €	65	V belt alt./wapu/fan 10 x 980	<a href="#">799113</a>	10,10 €

65	V belt 10 X 913	<a href="#">799115</a>	6,10 €	65	Fan belt 10x1000 eg 4.5 generator FN	<a href="#">799121</a>	9,70 €
65	Fan belt 10 x 950 egM116early generator	<a href="#">799122</a>	3,50 €	65	Fan belt 10x1025 z.B. 4.5 US FN	<a href="#">799124</a>	5,95 €
66	V belt 10 x 1200 , WaPu/p.w.s.(2xreq)	<a href="#">799117</a>	7,20 €	66	Fan belt 10 x 1184, z.B. 3.5 Servo, FN	<a href="#">799123</a>	11,90 €
66	Fan belt 10 x 1160, z.B. 4.5 Servo, FN	<a href="#">799126</a>	10,95 €	67	V belt 13 X 850	<a href="#">799116</a>	5,95 €
67	Keilriemen 13 x 868 Klima V8 FN	<a href="#">799128</a>	16,18 €	72	Temp.-switch 100° Celsius	<a href="#">207163</a>	23,80 €
75	Thermo switch, idle M116 US	<a href="#">707326</a>	103,40 €	76	Seal ring 14mm Alu	<a href="#">207186</a>	1,08 €
78	Temp. sender , not usable replacement	<a href="#">754396</a>	27,27 €	78	Sender unit, coolant temp.gauge	<a href="#">754097</a>	6,66 €
79	Seal ring 10x13,5, Alu, e.g. sender, hollow bolts	<a href="#">227023</a>	0,50 €	83	return water pipe M116.98xx	<a href="#">783885</a>	49,98 €
91	el. aux fan (frt mounted) div. 123, 107, ..	<a href="#">750851</a>	149,99 €	91	el. aux fan (frt mounted) div. 123, 107, ..	<a href="#">750751</a>	137,30 €

## 50.c, 20, 83 Cooling System 380 USA only

50.c, 20, 83 Cooling System 380 USA only

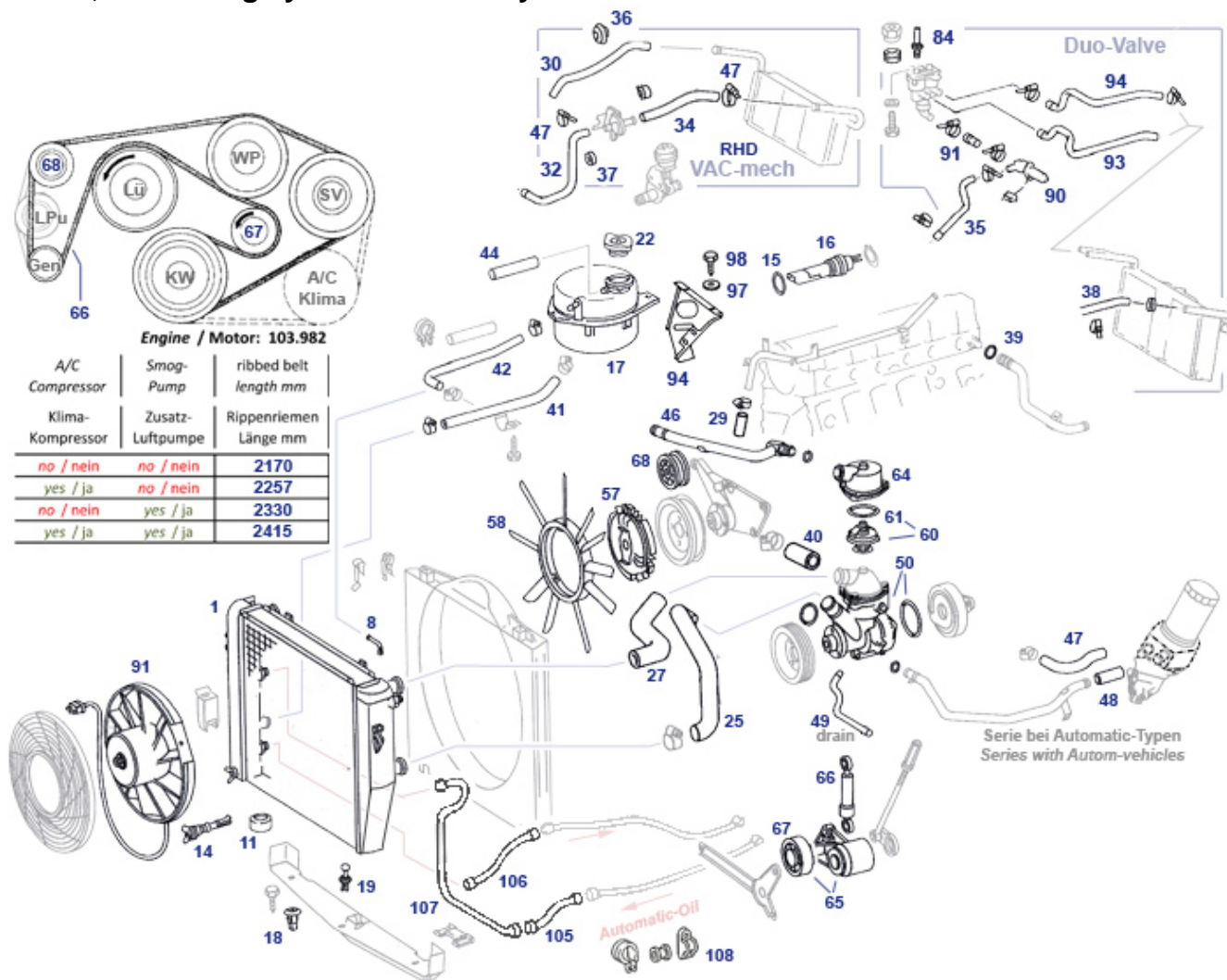


A0039880678	<a href="#">750062</a>	2,20 €	Hose, heater feed pipe to el.pump, 450from, 380up-to	<a href="#">750893</a>	8,93 €
1 m water hose i-D 42mm	<a href="#">750705</a>	36,16 €	1m cooling water hose 12/19mm	<a href="#">250823</a>	7,14 €
Hose V8 late, waterpump->intake, D42/L58	<a href="#">750605</a>	5,80 €	aux el pump, heater hose LHD, BOSCH	<a href="#">583160</a>	129,03 €
radiator hose to heater valve	<a href="#">750091</a>	15,78 €	Rad.hose htg. Rt.	<a href="#">750075</a>	10,81 €
Rad.hose up. 350/450SL/C	<a href="#">750019</a>	13,70 €	cage nut M5	<a href="#">750063</a>	0,94 €
Rad.hose lower, various 8-cyl.	<a href="#">750025</a>	39,60 €	11 Rubber support, radiator LH	<a href="#">750057</a>	7,96 €



W107						
12	Rubber support, radiator RH	<a href="#">750058</a>	7,96 €	13	Copper seal ring	<a href="#">207115</a> 0,18 €
17	Expension Tank for Cooling Water (mid. Gen.)	<a href="#">750831</a>	168,50 €	22	Radiator cap ref A 123 501 0215 char-id 120	<a href="#">750016</a> 4,41 €
25	Lower Rad hose 380SL/C Export (AUS/S/JP)	<a href="#">750037</a>	7,34 €	27	Water hose, upper 116/117.960	<a href="#">750036</a> 6,41 €
27	Rad.hose upper, 380/500SL 09.81->	<a href="#">750022</a>	19,00 €	41	Water hose, i/D 18mm per metre	<a href="#">250019</a> 19,10 €
42	Water hose, 8/15mm per metre	<a href="#">250016</a>	24,50 €	43	Hose CL overflow T-pipe	<a href="#">750316</a> 48,90 €
58	Fan blade M116/M117 from FN	<a href="#">720403</a>	202,70 €	60	Gasket, WaPu -> thermostat, e.g. 380FN / to 720025	<a href="#">720312</a> 2,05 €
60	Thermostat 380/500SL/SE/SEC 84°C, BEHR	<a href="#">720910</a>	47,39 €	60	Pump housing gasket RHside, fits some 380	<a href="#">720313</a> 4,28 €
60	Thermostat 380/500SL/SE/SEC 84°C	<a href="#">720010</a>	27,35 €	72	Temp.-switch 100° Celsius	<a href="#">207163</a> 23,80 €
78	Sender unit, coolant temp.gauge	<a href="#">754097</a>	6,66 €	84	Rep-kit for electrical heater valve	<a href="#">783054</a> 26,00 €
91	el. aux fan (frt mounted) div. 123, 107, ...	<a href="#">750851</a>	149,99 €	91	el. aux fan (frt mounted) div. 123, 107, ...	<a href="#">750751</a> 137,30 €
94	bracket for reservoir, can replace other variants	<a href="#">750039</a>	36,00 €	97	Washer, Star/frame	<a href="#">288047</a> 0,55 €

### 50.b 20, 83 Cooling system 300SL only

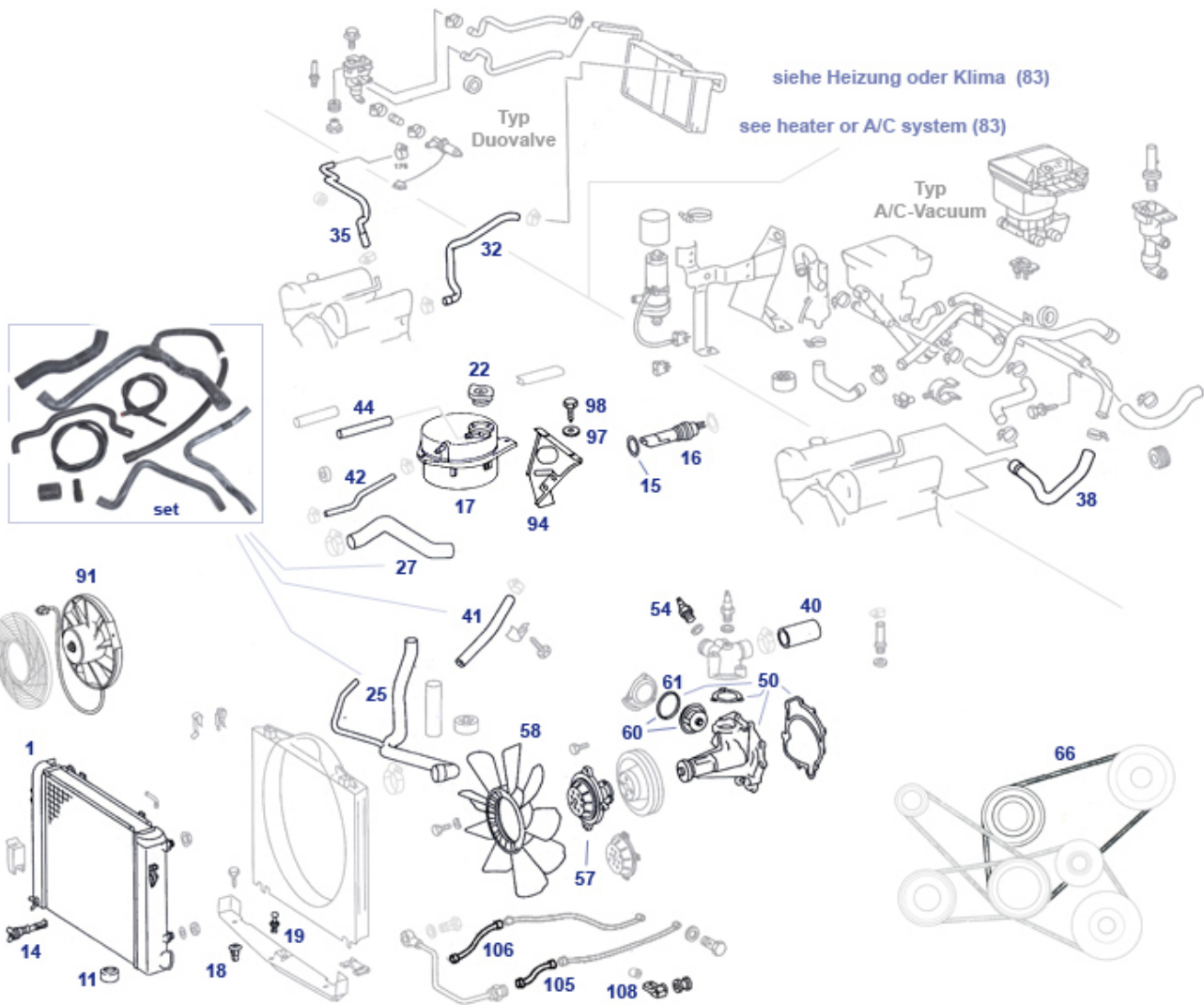


aux el pump, heater hose LHD	<a href="#">783860</a>	196,35 €	1m cooling water hose 12/19mm	<a href="#">250823</a>	7,14 €
thermostat 87°C, 280SL + 300SL, Marelli, ref.No. A1102000515	<a href="#">720108</a>	6,25 €	Water hose, rad. upper, eg 129.060	<a href="#">950312</a>	17,85 €
leaf spring, radiator to shroud	<a href="#">950022</a>	1,77 €	Temp. sender unit, 4-Pole, KE-Jet / EZL	<a href="#">954396</a>	23,53 €



	Support base with reroute pulley	<a href="#">920835</a>	70,48 €	8	A0005000894 - N/A -Stud, hose to radiator	<a href="#">750307</a>	13,98 €
11	buffer water cooler	<a href="#">750856</a>	5,36 €	14	Drain plug, radiators from ca.'85	<a href="#">950021</a>	3,90 €
15	Seal ring, sender in reservoir	<a href="#">750049</a>	4,57 €	16	sender/switch, coolant low level	<a href="#">750854</a>	24,99 €
16	sender/switch, coolant low level	<a href="#">750054</a>	39,09 €	17	coolant reservoir, late version = fits level sensor	<a href="#">750732</a>	120,90 €
18	Plug rivet for square hole eg, lower rad.cover	<a href="#">788991</a>	1,32 €	19	Plastic rivet e.g. lower fan duct	<a href="#">788992</a>	0,43 €
25	Rad.hose lr.300SL -> A 082028	<a href="#">750028</a>	30,06 €	25	Rad.hose lr.300SL fr. A 082029->	<a href="#">750029</a>	21,59 €
27	hose clamp 36-48mm	<a href="#">850346</a>	2,28 €	27	Radiator hose upper, 300SL	<a href="#">750023</a>	17,08 €
29	Hose clamp 23-31mm, worm thread style	<a href="#">750042</a>	1,09 €	29	Water hose, i/D 18mm per metre	<a href="#">250019</a>	19,10 €
30	CL hose, heater return R6 RHD (LHD:>82)	<a href="#">750880</a>	19,14 €	32	Return hose, heater to Duovalve, (rh hose)	<a href="#">750087</a>	24,59 €
35	Rad.hose htg. Rt.	<a href="#">750070</a>	14,73 €	35	Water hose 280SL el-pump -> return pipe	<a href="#">750089</a>	15,71 €
36	Rubbergrommet, e.g:waterpipe	<a href="#">799004</a>	9,97 €	36	Rubbergrommet, heat.return Rt. or drain 108boot	<a href="#">799003</a>	13,01 €
37	Foam ring, heater tube	<a href="#">750395</a>	3,32 €	38	CL hose heater, feed, all RHD, LHD->82	<a href="#">750881</a>	19,14 €
40	Water hose, thermostate->head e.g. 129.060	<a href="#">950304</a>	5,95 €	41	Hose clamp 24-32, worm thread style	<a href="#">999889</a>	1,51 €
41	Cooling w.hose 300SL radiatorreservoir	<a href="#">750018</a>	24,59 €	42	Hoseclamp 15mm to 21mm, worm thread style	<a href="#">250042</a>	2,07 €
42	Water hose, 8/15mm per metre	<a href="#">250016</a>	24,50 €	44	1m radiator overflow hose	<a href="#">350023</a>	6,90 €
46	coolant pipe 300SL	<a href="#">720370</a>	31,05 €	47	Water hose, eng. to oil filter base	<a href="#">950306</a>	6,63 €
47	Water hose, eng. to oil filter base	<a href="#">950305</a>	9,57 €	48	1m water hose 15 x 24mm	<a href="#">350016</a>	19,99 €
50	waterpump M103 Autom.	<a href="#">720829</a>	133,18 €	50	waterpump M103, with thermostate	<a href="#">720728</a>	117,36 €
50	Waterpump 300SL manuell gear box	<a href="#">720027</a>	155,00 €	58	Lüfterrad M103 (300SL...)	<a href="#">720302</a>	59,50 €
60	Thermostate element 280SL/C+300SL 87°	<a href="#">720008</a>	13,90 €	60	Thermostat cartridge/gkt. 83°	<a href="#">220009</a>	16,21 €
61	Seal ring	<a href="#">220016</a>	1,31 €	64	Plug screw M8 x 1	<a href="#">720319</a>	1,64 €
64	Thermostate housing, Alloy, w.hole	<a href="#">720314</a>	11,90 €	65	Roll w.support, belt tensioner M103 FEB	<a href="#">920101</a>	101,15 €
65	Roll w.support, belt tensioner M103	<a href="#">920801</a>	71,40 €	66	Damper, belt tensioner, (gas spring), Stabilus	<a href="#">920131</a>	37,53 €
67	Roll, belt guide / tensioner e.g. 103.982, FEBI	<a href="#">920133</a>	17,08 €	67	Roll, belt guide / tensioner e.g. 103.982	<a href="#">920833</a>	14,10 €
68	Roll, belt guide/tensioner	<a href="#">920830</a>	13,73 €	68	Roll, belt guide/tensioner	<a href="#">920130</a>	26,80 €
90	aux el pump, heater hose LHD, BOSCH	<a href="#">583160</a>	129,03 €	91	Ballast Resistor 0,2 Ohm, Reproduction	<a href="#">754868</a>	31,66 €
91	el. aux fan (frt mounted) div. 126, 107, ..	<a href="#">750752</a>	62,48 €	91	water hose	<a href="#">750068</a>	6,74 €
93	Return hose, heater to Duovalve, (rh hose)	<a href="#">750086</a>	16,37 €	93	Hose clamp 18-27, worm thread style	<a href="#">999898</a>	4,07 €
94	bracket for reservoir, can replace other variants	<a href="#">750039</a>	36,00 €	94	A1079973881 Grommet 10/58mm, 2 heater t	<a href="#">799002</a>	8,43 €
98	holding clamp for water hose	<a href="#">750098</a>	7,38 €	105	Autm.-oil hose, 107.041 Left side, 129.060	<a href="#">727012</a>	52,99 €
106	hose, autm. oil at radiator 300SL RH	<a href="#">727913</a>	20,83 €	108	Clamp, oil pipe, autom.	<a href="#">227099</a>	4,46 €
108	alu seal ring M12, eg.eng.block @ chain	<a href="#">298712</a>	0,13 €	108	Grommet for oilpipe, autom.	<a href="#">227059</a>	2,96 €
311	Seal ring M103... water pipes to head or pump	<a href="#">920312</a>	0,95 €	311	Seal ring M103... water pump to engine	<a href="#">920311</a>	1,36 €
2170	Ribbed fan belt 2175mm, e.g. M103 no A/	<a href="#">999106</a>	39,98 €	2170	Belt, 2170mm	<a href="#">999112</a>	30,33 €
2257	Ribbed fan belt 2257mm, e.g. 103 A/C	<a href="#">999108</a>	49,99 €	2330	Rippenriemen 2330mm, zB 103 m.LuPu o.KI	<a href="#">999104</a>	65,00 €

## 50.e 20, 83 Cooling system V8 from 09.'85



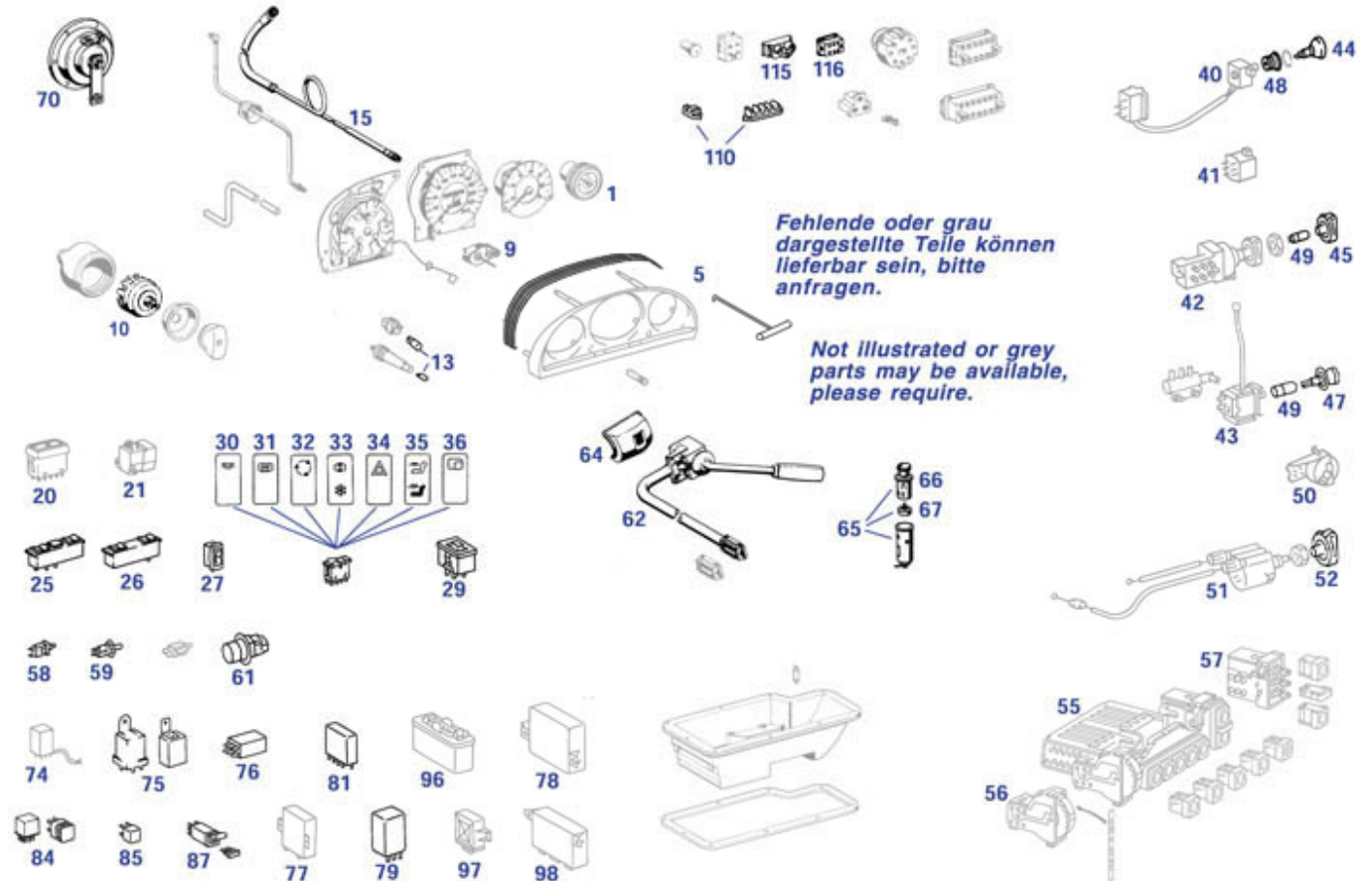
	aux el pump, heater hose LHD	<a href="#">783860</a>	196,35 €	1m radiator overflow hose	<a href="#">350023</a>	6,90 €
	cap for coolant reservoir "140", ref.No. A1245000406	<a href="#">750817</a>	3,84 €	Thermo switch 3-pin, 100/115°C, e.g. fan	<a href="#">707526</a>	50,69 €
	Rad.hose up. 380/500SL/C->08.81	<a href="#">750021</a>	32,78 €	Radiator cap ref A 123 501 0215 char-id 120	<a href="#">750016</a>	4,41 €
	Thermoschalter 105/115° 3xRundpol, M14	<a href="#">954129</a>	18,99 €	leaf spring, radiator to shroud	<a href="#">950022</a>	1,77 €
	sensor, temp, e.g. M117 water	<a href="#">954397</a>	17,85 €	Seal ring	<a href="#">701299</a>	0,37 €
	1m cooling water hose 12/19mm	<a href="#">250823</a>	7,14 €	Washer, Star/frame	<a href="#">288047</a>	0,55 €
1	Radiator 420SL, 500SL from 09.'85, 560SL	<a href="#">750008</a>	1.844,50 €	11 buffer water cooler	<a href="#">750856</a>	5,36 €
14	Drain plug, radiators from ca.'85	<a href="#">950021</a>	3,90 €	15 Seal ring, sender in reservoir	<a href="#">750049</a>	4,57 €
16	sender/switch, coolant low level	<a href="#">750054</a>	39,09 €	17 coolant reservoir, late version = fits level sensor	<a href="#">750732</a>	120,90 €
18	Plug rivet for square hole eg, lower rad.cover	<a href="#">788991</a>	1,32 €	19 Plastic rivet e.g. lower fan duct	<a href="#">788992</a>	0,43 €
25	Rad.hose lr.420/500/560 from 09.85	<a href="#">750027</a>	96,50 €	27 Rad.hose upper, V8 from 09.85->	<a href="#">750020</a>	20,44 €
35	Rad.hose htg. Rt.	<a href="#">750075</a>	10,81 €	40 Hose V8 late, waterpump->intake, D42/L58	<a href="#">750605</a>	5,80 €
40	1 m water hose i-D 42mm	<a href="#">750705</a>	36,16 €	41 Water hose, i/D 18mm per metre	<a href="#">250019</a>	19,10 €
42	Water hose, 8/15mm per metre	<a href="#">250016</a>	24,50 €	50 Water pump 420SL, 500SL '85->, 560SL	<a href="#">720024</a>	151,00 €
54	Sender unit, coolant temp.gauge	<a href="#">754097</a>	6,66 €	58 Fan blade M116/M117 from FN	<a href="#">720403</a>	202,70 €
60	Thermostate element 420-500SL/SE 80°C	<a href="#">720011</a>	15,80 €	61 Seal ring	<a href="#">220016</a>	1,31 €
66	V belt 10 X 1100, e.g. WaPu/PWS V8-FN	<a href="#">799118</a>	7,40 €	91 Ballast Resistor 0,2 Ohm, Reproduction	<a href="#">754868</a>	31,66 €
91	el. aux fan (frt mounted) div. 126,	<a href="#">750752</a>	62,48 €	94 bracket for reservoir, can replace	<a href="#">750039</a>	36,00 €

98	107, .. hex. head tapping screw with cone end, zinc plated 4,8 X 19	<a href="#">799723</a>	0,19 €	106	other variants Hose autm-oil -> radiator, except 300SL	<a href="#">727001</a>	46,99 €
108	Grommet for oilpipe, autom.	<a href="#">227059</a>	2,96 €	108	Clamp, oil pipe, autom.	<a href="#">227099</a>	4,46 €
199924	Alu ring 22mm	<a href="#">199924</a>	0,60 €	207186	Seal ring 14mm Alu	<a href="#">207186</a>	1,08 €
207186	Seal ring 14mm copper	<a href="#">207886</a>	1,08 €	207276	Hollow screw, M14 x 1,5	<a href="#">207276</a>	2,34 €
250042	Hose clamp 18-27, worm thread style	<a href="#">999898</a>	4,07 €	250042	Hoseclamp 15mm to 21mm, worm thread style	<a href="#">250042</a>	2,07 €
720406	Gasket, pump to thermostat	<a href="#">720406</a>	2,30 €	720409	Gasket, water pump to eng.frt hsg.11696	<a href="#">720409</a>	3,68 €
750068	water hose	<a href="#">750068</a>	6,74 €	750086	Return hose, heater to Duovalve, (rh hose)	<a href="#">750087</a>	24,59 €
750086	Return hose, heater to Duovalve, (rh hose)	<a href="#">750086</a>	16,37 €	750098	holding clamp for water hose	<a href="#">750098</a>	7,38 €
783160	aux el pump, heater hose LHD, BOSCH	<a href="#">583160</a>	129,03 €	783160	aux el pump, heater hose, universal, FEBI	<a href="#">583760</a>	89,43 €
783446	MB Tempmatic Servo, repro w.Alu housing	<a href="#">783446</a>	1.155,00 €	799306	Seal ring 14x20x1,5 copper, e.g. oilpan	<a href="#">799306</a>	0,14 €
850346	Hose clamp 46-54mm	<a href="#">750346</a>	1,08 €	850346	Hoseclamp 31 to 44mm	<a href="#">250046</a>	1,05 €

## 54 Electric, Body

### 46, 54 Cockpit and Switches

46, 54 Cockpit and Switches

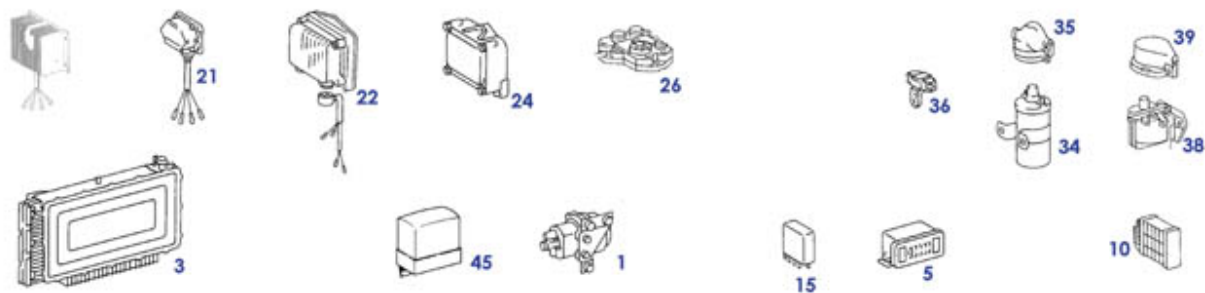


	switch and wire, @ steer lock for buzzer funct	<a href="#">754308</a>	15,65 €		control knob for Becker radios with nose	<a href="#">754650</a>	20,16 €
	Flat fuse 10A (red) type ATO std	<a href="#">558094</a>	0,18 €	o.A.	Rubber cap for 2 pole connector	<a href="#">754352</a>	16,99 €
o.A.	wire strap with rivet plug, 160mm	<a href="#">854087</a>	1,29 €	o.A.	Clips clamp, plastic, 13mm	<a href="#">754069</a>	1,09 €
o.A.	Gummikappe, El.Anschluss zB Warmlaufg.	<a href="#">754170</a>	9,92 €		plastic gear, 3 pcs repair set, speedo 107, others	<a href="#">754857</a>	23,80 €
	Resistor, as A 1078350006	<a href="#">782448</a>	416,50 €		control knob for Becker radios without nose	<a href="#">754651</a>	20,16 €
	socket, warning lamp Brake-II, fits 299096	<a href="#">754042</a>	3,64 €	5	Rbr profile instrument cluster surround	<a href="#">754027</a>	5,36 €
5	hook pair for dismounting instrument panel	<a href="#">758054</a>	58,66 €	10	A0005453704	<a href="#">754028</a>	86,60 €
13	bulb 3W Philips	<a href="#">299696</a>	0,92 €	13	Bulb 1.2W, glass socket, switch-knob, cockpit	<a href="#">299097</a>	1,79 €
13	Bulb, passenger compt. 3W, NoName	<a href="#">299096</a>	1,79 €	13	bulb 1,2W Philips	<a href="#">299697</a>	0,81 €
13	mini bulb Bi-Pin 14V, 80mA	<a href="#">799695</a>	2,29 €	13	Lamp socket 107, 108, ..	<a href="#">854048</a>	18,91 €
13	Bulb 12V/0,5W, see picture	<a href="#">799083</a>	1,52 €	13	Lamp 1,2W, cockpit check lights several	<a href="#">999096</a>	1,25 €
14	Pan head screws with collar, with screw thread for plastic	<a href="#">754435</a>	0,38 €	14	plastic gear, 3 pcs repair set, speedo 107, others	<a href="#">754859</a>	23,80 €
15	Speedo cbl. 280SL/C, 4-gear LHD -->03.8	<a href="#">754115</a>	33,05 €	15	Tachowelle 400mm SA, Oberteil	<a href="#">754140</a>	18,67 €
15	Speedom.shaft 280SL RHD ,autom.	<a href="#">754135</a>	45,27 €	15	Speedom.shaft 350/450SL/C RHD ,autom.	<a href="#">754125</a>	45,27 €
15	Speedo cbl. 280SL/C, auto.LHD -->03.80	<a href="#">754120</a>	33,34 €	15	Speedom.shaft 350SL/C RHD ,4-speed	<a href="#">754110</a>	39,07 €
15	Speedo cbl. 350SL/C, 4-gear LHD -->03.8	<a href="#">754105</a>	36,74 €	15	Speedo cbl. 350-450SL/C auto.LHD-->03.8	<a href="#">754100</a>	50,80 €
25	Switch, el.w.,2 way+fuse SL	<a href="#">782374</a>	71,39 €	26	Switch, el.windows, 2 way SLC, RH	<a href="#">782375</a>	71,39 €

27	El. switch, power window,1x, Reprö, 4-pole	<a href="#">782877</a>	69,90 €	34	side		
35	el. switch SE seat heater l/r	<a href="#">782369</a>	154,70 €	36	El. switch, hazard indicator	<a href="#">782359</a>	18,20 €
36	power window switch l/r	<a href="#">782079</a>	11,00 €	36	el. Schalter EFH 81->87 li/re REPRO	<a href="#">782979</a>	12,20 €
36	el. switch, pwr window 300-500SL, RH, from ca '87	<a href="#">782372</a>	7,62 €	36	el. switch, pwr-window from 81 to 87 LH/RH, FEBI	<a href="#">782379</a>	14,07 €
56	Symbol label, heater adj. wheel	<a href="#">783909</a>	9,07 €	36	el. switch, pwr window 300-500SL, LH, from ca '87	<a href="#">782371</a>	14,90 €
58	el.switch, glovebox,bonnet...	<a href="#">782885</a>	3,26 €	56	Symbol label, heater adj. wheel	<a href="#">783709</a>	9,07 €
62	Multiswitch LHD from 09.75 "Meyle"	<a href="#">746302</a>	78,36 €	59	Switch, flat connectors	<a href="#">282031</a>	10,21 €
64	Rubber cover, el.switch lever to steerg. column	<a href="#">746809</a>	22,61 €	64	Rubberboot, indicator switch from 09.75 ->	<a href="#">746810</a>	23,40 €
70	Horn 400Hz (higher note), brand Hella	<a href="#">754013</a>	15,89 €	67	Spiral element, fits genuine cigar lighter	<a href="#">154049</a>	18,49 €
79	Relay, indicator ->08.77	<a href="#">782355</a>	73,57 €	70	Horn,335Hz = lower tone, brand Hella	<a href="#">754014</a>	33,14 €
81	Fuel pump relay 3.8/4.5 US, FN ! 6-pin, URO	<a href="#">754384</a>	94,00 €	81	Relay, idle contr., fuel-pump, 7-pin, 380US '83->	<a href="#">754305</a>	93,99 €
81	Pump relay V8, ca. 81-85, 7 pin	<a href="#">754327</a>	70,21 €	81	Fuel pump relay, V8 from '85, 10-Pin	<a href="#">754325</a>	36,21 €
84	El. relay, 5-pin see pict, div. applications	<a href="#">754329</a>	17,85 €	81	Fuel pump relay, V8 from '85, 10-Pin	<a href="#">754825</a>	58,85 €
87	5-Pin Relay, Over volt guard	<a href="#">754738</a>	155,00 €	87	tension guard, 4-pole US-V8 79-81	<a href="#">754238</a>	66,20 €
110	wire strap with rivet plug, short (120mm)	<a href="#">554087</a>	1,26 €	110	2 pole terminal	<a href="#">154052</a>	44,85 €
116	Sold on sleeve 4mm	<a href="#">254055</a>	2,69 €	110	5-pole block terminal	<a href="#">154054</a>	55,16 €
117	Ign switch e.g. 107 81-89, data req.	<a href="#">746091</a>	58,75 €	116	metal pin f. el. connectors	<a href="#">754054</a>	0,77 €
				117	A1164620093 Switch.ignition ca 67-80	<a href="#">246091</a>	79,99 €

## 15, 54 El. Control Units & Relay

15, 54 El. Control Units & Relay

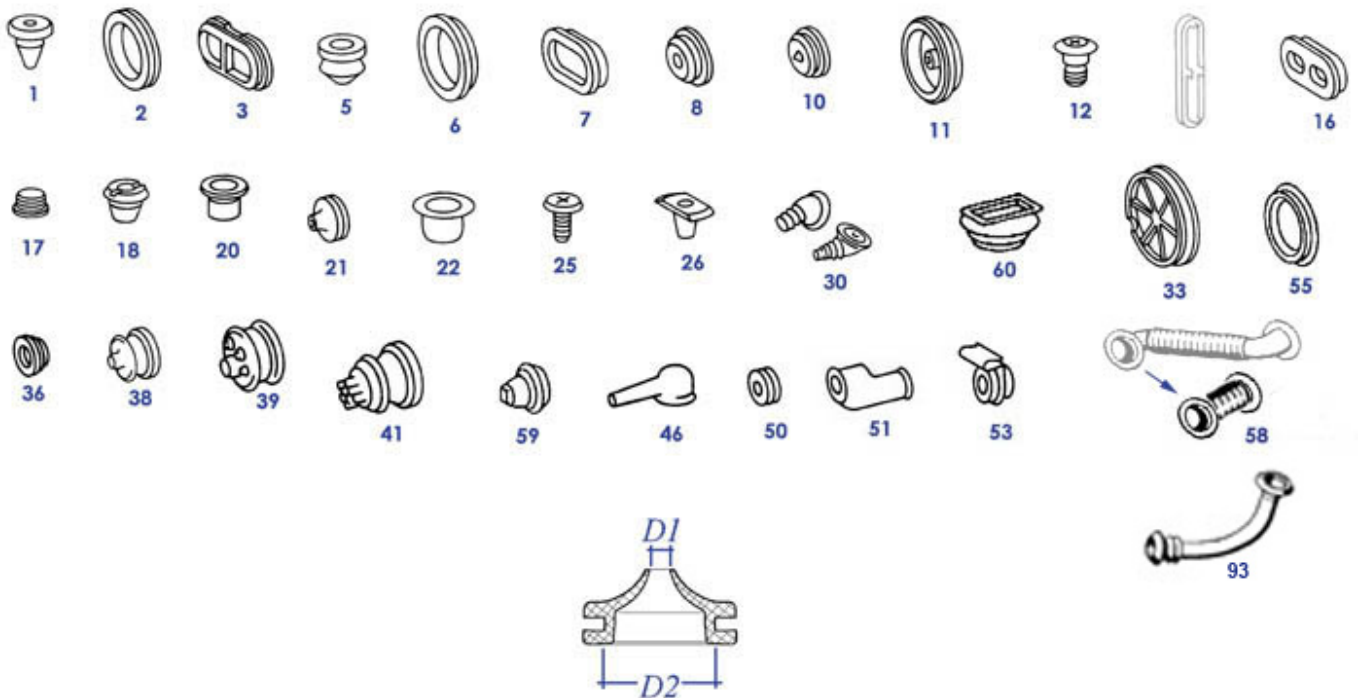


	switch and wire, @ steer lock for buzzer funct	<a href="#">754308</a>	15,65 €		Turn signal transmitter	<a href="#">254760</a>	42,39 €
	Switch, flat connectors	<a href="#">282031</a>	10,21 €		Flat fuse 10A (red) type ATO std	<a href="#">558094</a>	0,18 €
3	FP relay e.g. 300SE/SL/E, FN set 24/25-pole terminal components, D-Jet-Ecu	<a href="#">754921</a>	49,99 €	10	Ground strap, bonnet 107, 111, 108	<a href="#">754888</a>	29,37 €
15	5-Pin Relay, Over volt guard	<a href="#">754845</a>	109,24 €	15	Control box KE-Jet 500SL	<a href="#">754314</a>	1.401,82 €
15	Fuel pump relay, V8 from '85, 10-Pin	<a href="#">754738</a>	155,00 €	15	relay, multi purpose, e.g cooling fan 201/123	<a href="#">554328</a>	20,23 €
15	Pump relay V8, ca. 81-85, 7 pin	<a href="#">754825</a>	58,85 €	15	Fuel pump relay 3.8/4.5 US, FN ! 6-pin, URO	<a href="#">754384</a>	94,00 €
15	Fuel pump relay, V8 from '85, 10-Pin	<a href="#">754327</a>	70,21 €	15	fuel pump relais 3.8/5.0 early models	<a href="#">754322</a>	173,74 €
15	Relay, idle contr., fuel-pump, 7-pin, 380US '83->	<a href="#">754325</a>	36,21 €	15	Rest: Meyle FP-Relay 0148000032 (0035452405)	<a href="#">754321</a>	101,15 €
24	Trans.ign.380/500SL->8.85, Bosch	<a href="#">754305</a>	93,99 €	24	Ignition Transistor unit, ca. 09.'81-'85, Hella	<a href="#">754993</a>	74,15 €
		<a href="#">754295</a>	654,94 €	26	nut M6 w. flange, zinc plated	<a href="#">799913</a>	0,37 €



26	N/A ! RPM Sensor e.g. 103.982 FN <a href="#">715364</a>	69,94 €	34	Ign.coil 113TCI + R/C107 early, BOSCH	<a href="#">754020</a>	85,00 €
34	Ign. coil 280SL ab 09.'81 BOSC <a href="#">754021</a>	109,44 €	34	Ignition coil 380/500SL/SLC   BOSCH	<a href="#">754022</a>	121,75 €
36	Resistor 0.6 Ohms, TCI, BERU <a href="#">254967</a>	70,35 €	36	Ballast resistor .6 Ohm, silver, TSZ	<a href="#">254166</a>	59,81 €
36	Ballast Resistor 0,4 Ohm, Reproduction <a href="#">254768</a>	28,54 €	36	Ballast Resistor 0,6 Ohm, Reproduction <a href="#">254767</a>		26,45 €
36	Resistor, 0.4 Ohm <a href="#">254266</a>	45,49 €	38	Ign. coil 300SL(107/129), ... , BOSCH	<a href="#">754023</a>	111,86 €
38	Ign. coil 300SDL (107/129) no-name-bran <a href="#">754883</a>	47,99 €	38	Ign. Coil 420/500SL <a href="#">754824</a>		98,20 €
38	Ign. coil 420/500SL <a href="#">754024</a>	107,24 €	45	Extr. reg.,alternators '65->'74 <a href="#">254021</a>		690,57 €

## 54.b, 61 Rubbergrommets



o.A.	Clips clamp, plastic, 13mm <a href="#">754069</a>	1,09 €		Floor/Body Panel Plug, 6mm	<a href="#">998781</a>	2,14 €
1	Rubber buffer 5mm,121,113,10 <a href="#">298066</a>	0,89 €	2	rubber disc 18mm	<a href="#">798153</a>	2,01 €
5	Rubber plug 12mm <a href="#">798746</a>	1,44 €	5	Rbr plug 10mm	<a href="#">798781</a>	1,17 €
5	Rubber buffer SL filler flap, 2x needed <a href="#">798787</a>	2,21 €	7	Rubber plug, oval 45 x 28mm	<a href="#">598782</a>	2,24 €
7	rubber plug, oval shape, fits holes ca 38x18 <a href="#">798770</a>	1,75 €	8	Rubber plug, 20mm	<a href="#">298780</a>	0,94 €
10	Rbr plug 17,5mm <a href="#">398995</a>	1,17 €	11	Sealing disc, rbr. 34mm	<a href="#">798154</a>	1,65 €
12	threaded plug, belt holes <a href="#">799899</a>	1,18 €	16	Rubber plug, 22mm	<a href="#">798763</a>	7,82 €
18	Grommet 4/20mm, 1 hole, drain <a href="#">399009</a>	1,71 €	20	plastic collar 13,5 / 11mm	<a href="#">798789</a>	2,38 €
20	plug, plastic, closes 9.5mm holes <a href="#">298688</a>	0,42 €	20	Grommet,multihole 27mm	<a href="#">798777</a>	2,59 €
20	see 298688 <a href="#">298788</a>	0,40 €	21	Grommet 2/13mm, 1 hole	<a href="#">798784</a>	2,89 €
21	Grommet 6/26, 45°, e.g. hydr-line clutc <a href="#">299001</a>	2,68 €	21	Rubber grommet 3/18, 121,113,107 and other <a href="#">199010</a>		1,67 €
21	Grommet 3 cable 3/20 <a href="#">199008</a>	1,23 €	21	Grommet 4/18mm, 1 hole	<a href="#">798778</a>	2,89 €
30	Grommet, angled, 18/25mm oval <a href="#">798765</a>	9,97 €	33	Cover above fuel sender, plastic,black	<a href="#">347014</a>	7,79 €
33	round cover above fuel sender,Repro <a href="#">247814</a>	5,20 €	36	Floor/Body Panel Plug - 26mm	<a href="#">298782</a>	1,30 €
38	Grommet,cable,bulkhead 17/40 <a href="#">299007</a>	3,05 €	39	Grommet 17/53mm, multihole	<a href="#">798757</a>	5,80 €
41	Grommet,multiple holes, /35 <a href="#">298789</a>	3,05 €	46	Gummikappe, El.Anschluss zB Warmlaufg.	<a href="#">754170</a>	9,92 €
46	Grommet for Fuel Pump Wiring <a href="#">299018</a>	2,53 €	50	Grommet, 4,5/10mm, cable@wheelarch <a href="#">182005</a>		2,53 €

51	Cap, starter terminal	<a href="#">154056</a>	5,71 €	53	Rubber grommet 11/30, bulkh(190),107,..	<a href="#">299017</a>	1,59 €
55	Sealing disc, rubber 40,5 mm	<a href="#">798184</a>	1,13 €	58	Rubber sleeve, doors to pillar ->1985	<a href="#">780920</a>	5,21 €
59	Grommet, acc linkage->firewall, Repro	<a href="#">798775</a>	4,25 €	60	Bellows, gear shift selector, lower, up to 85	<a href="#">726007</a>	20,03 €

## 54.c Wires, Main Harness, Add On Selections

Hauptleitungssatz	<a href="#">754504</a>	2.721,29 €	Wiring harness/loom FN !!	<a href="#">754763</a>	999,99 €
Leitungssatz	<a href="#">754693</a>	164,99 €	Leitungssatz	<a href="#">754697</a>	235,00 €
Leitungssatz Autom.Getriebe früh	<a href="#">754748</a>	104,76 €	Engine wiring kit 350SL D-Jet 1st Gen LHD	<a href="#">754751</a>	999,99 €
Motorleitungssatz 3.5 D-Jet LHD FN	<a href="#">754759</a>	999,99 €	Wiring harness/loom M117 early / FN !!	<a href="#">754760</a>	999,99 €
Leitung, Transistor 2.Generation	<a href="#">754767</a>	149,99 €	Leitungssatz	<a href="#">754681</a>	93,00 €
Leitungssatz	<a href="#">754773</a>	151,90 €	Wire, Starter, 350+450 up to FN	<a href="#">754778</a>	447,50 €
Wire 350/450 between Batt+, starter and terminal	<a href="#">754781</a>	499,80 €	Leitungssatz	<a href="#">754782</a>	358,07 €
Leitungssatz	<a href="#">754784</a>	224,79 €	Wiring, ref. 1075403730	<a href="#">754790</a>	105,79 €
Leitungssatz	<a href="#">754796</a>	649,99 €	Leitungssatz	<a href="#">754689</a>	65,09 €
Leitungssatz	<a href="#">754680</a>	225,01 €	Hauptleitungssatz	<a href="#">754506</a>	3.999,00 €
Hauptleitungssatz	<a href="#">754571</a>	3.699,00 €	Hauptleitungssatz 280SL/C LHD	<a href="#">754515</a>	3.195,00 €
Hauptleitungssatz	<a href="#">754535</a>	3.899,99 €	Hauptleitungssatz 280/350/450SL/C LHD	<a href="#">754539</a>	3.860,00 €
Hauptleitungssatz 280/350/450SL/C RHD	<a href="#">754540</a>	3.998,40 €	Hauptleitungssatz	<a href="#">754551</a>	3.749,99 €
Main wire harness W107 280SL/C RHD	<a href="#">754567</a>	3.725,00 €	Hauptleitungssatz 350/450/5.0SL/C LHD	<a href="#">754568</a>	3.999,99 €
Hauptleitungssatz 280SL/C RHD	<a href="#">754575</a>	3.899,99 €	Leitungssatz	<a href="#">754673</a>	112,95 €
Hauptleitungssatz 380/500SL RHD	<a href="#">754606</a>	4.484,99 €	Hauptleitungssatz 280SL RHD	<a href="#">754608</a>	3.850,00 €
Hauptleitungssatz	<a href="#">754611</a>	3.500,00 €	Hauptleitungssatz	<a href="#">754613</a>	3.250,00 €
Hauptleitungssatz 420/500SL LHD	<a href="#">754619</a>	3.999,00 €	Leitungssatz	<a href="#">754670</a>	235,00 €
Leitungssatz	<a href="#">754672</a>	199,99 €	ground wire for front mounted battery, ref.-No. A1265400531	<a href="#">754742</a>	82,90 €

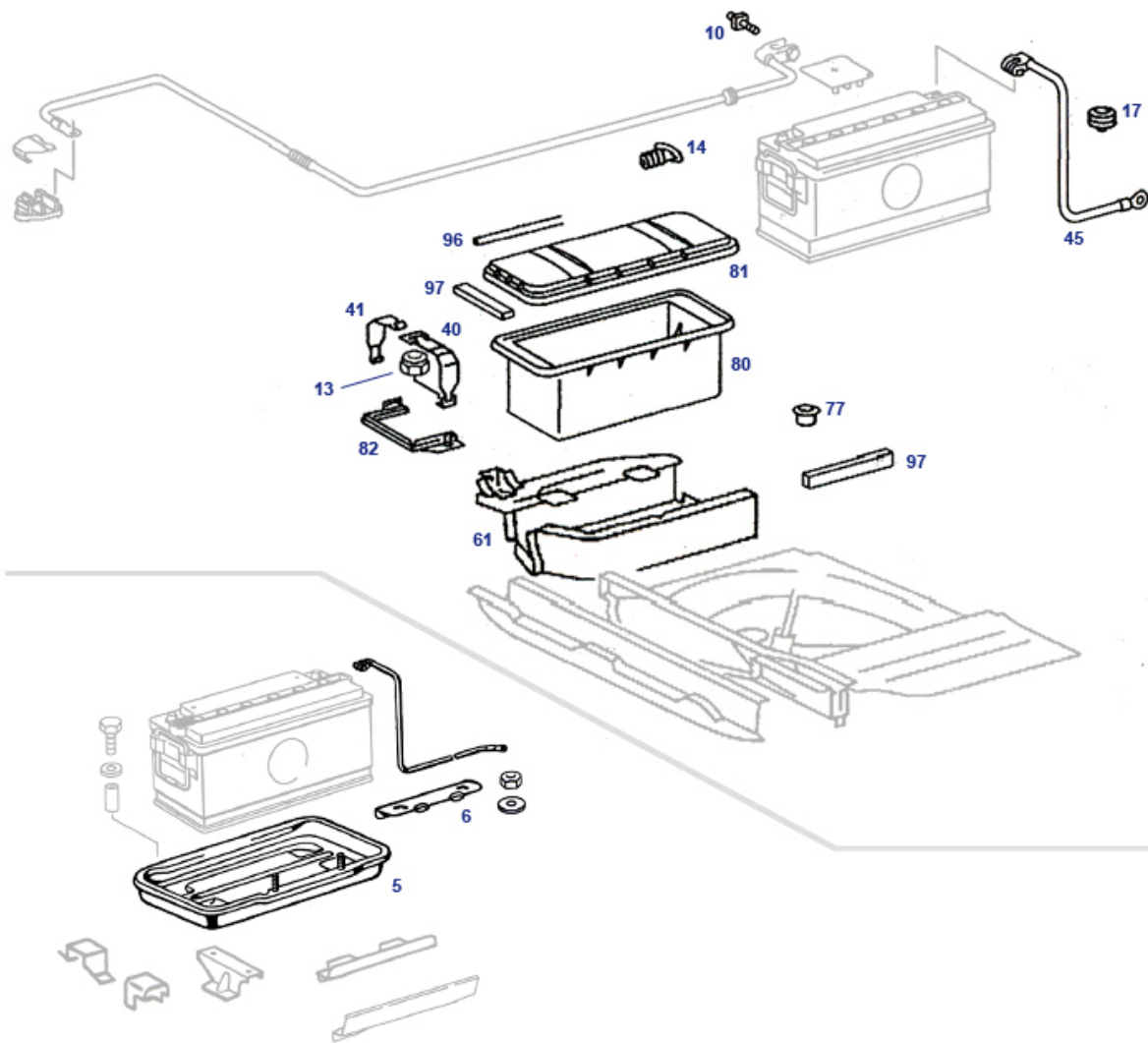
## 54.d Accessories for Wiring Harness

2 pole terminal	<a href="#">154052</a>	44,85 €	female contact 2,5mm	<a href="#">954153</a>	0,48 €
Rubber grommet 8/34mm, diag	<a href="#">798785</a>	2,19 €	Waved spring washer M8	<a href="#">799911</a>	0,18 €
A0035452626 Solder bushing 4mm, connect	<a href="#">854055</a>	0,58 €	wire strap with rivet plug, 160mm	<a href="#">854087</a>	1,29 €
part of housg, el. conn. see 754956 or 754054	<a href="#">954945</a>	2,20 €	Clips, wire @ body	<a href="#">998181</a>	0,90 €
Rubber grommet 11/30, blue silicon rubber	<a href="#">754156</a>	0,82 €	crimp connector	<a href="#">997992</a>	0,43 €
Set D-Jet "450" connectors and caps	<a href="#">299517</a>	1,59 €	Plasticrivet with locking pin	<a href="#">999822</a>	0,42 €
Set D-Jet "280" connectors and caps	<a href="#">754835</a>	151,73 €	Set D-Jet "350" connectors and caps	<a href="#">754834</a>	145,66 €
Con.housing, 2 pole flat	<a href="#">754833</a>	148,69 €	El. Pin 2,5mm	<a href="#">954154</a>	0,38 €
Door switch round pin connectors	<a href="#">254103</a>	0,54 €	part of housg. el connector, to 754955	<a href="#">754957</a>	7,93 €
metal strip left part for batt. mounting	<a href="#">282721</a>	82,26 €	metal strip right part for batterie mounting	<a href="#">784641</a>	26,07 €
8-pole housing (plastic base & cap), no metal bushings	<a href="#">784640</a>	55,55 €	switch and wire, @ steer lock for buzzer funct	<a href="#">754308</a>	15,65 €
4-pole housing (plastic base & cap), no metal bushings	<a href="#">254181</a>	8,69 €	6-pole housing (plastic base & cap), no metal bushings	<a href="#">254180</a>	8,45 €
set 24/25-pole terminal components, D-Jet-Ecu	<a href="#">254883</a>	8,09 €	Brass disc 6mm	<a href="#">754968</a>	0,21 €
	<a href="#">754845</a>	109,24 €	Brass disc 5mm	<a href="#">754967</a>	0,16 €

Brass disc 4mm	<a href="#">754966</a>	0,05 €	Screw for cable connections MS M6 X 8	<a href="#">754965</a>	0,59 €
Screw for cable connections MS M5 X 8	<a href="#">754964</a>	0,37 €	Screw for cable connections MS M4 X 8	<a href="#">754963</a>	0,27 €
Screw, M4X6 Phillips, e.g switch contact pin 4mm brass silver plated	<a href="#">799546</a>	0,24 €	Grommet, angled, 18/25mm oval	<a href="#">798765</a>	9,97 €
part of housg. 2-pole male connector	<a href="#">754956</a>	0,54 €	Cap, starter terminal	<a href="#">154056</a>	5,71 €
H4 Connector housg w.3x flag crimps	<a href="#">254087</a>	5,12 €	Light bulb 12V/2W, BA7s	<a href="#">299079</a>	1,99 €
Trunk(boot) light and switch '59-'85	<a href="#">282041</a>	5,83 €	Bulb, e.g. trunk light	<a href="#">282033</a>	2,50 €
2-pole housing (plastic base & cap), no metal bushings	<a href="#">282022</a>	40,58 €	contact bushing 4mm brass, silver plated	<a href="#">254855</a>	1,40 €
wire strap with rivet plug, short (120mm)	<a href="#">254182</a>	7,97 €	Plug hsnng,Regulator, 3xflat	<a href="#">254080</a>	7,28 €
Rubber dust boot (at Gen. .)	<a href="#">554087</a>	1,26 €	Spring clip for Rt.+Lt. cable	<a href="#">254071</a>	0,83 €
A1164620093 Switch.ignition ca 67-80	<a href="#">254051</a>	3,25 €	Hose strap, replaces hose clamp	<a href="#">250099</a>	0,55 €
Housing for Bilux/H4 connector	<a href="#">246091</a>	79,99 €	Screw engine mount rear	<a href="#">222025</a>	0,80 €
Ign switch e.g. 107 81-89, data req.	<a href="#">182042</a>	4,74 €	Grommet 6/26	<a href="#">299819</a>	3,15 €
Rubber cap for 2 pole connector	<a href="#">746091</a>	58,75 €	Part of housg. 2-pole connector w.nose	<a href="#">754955</a>	3,75 €
Wire 350/450 between Batt+, starter and terminal	<a href="#">754352</a>	16,99 €	Ground strap, bonnet 107, 111, 108	<a href="#">754888</a>	29,37 €
connector plastic insert 2-pole	<a href="#">754781</a>	499,80 €	connector plastic insert 4-pole	<a href="#">754374</a>	6,68 €
rubber cap 4 pole connector	<a href="#">754372</a>	1,82 €	Gummikappe für 5-Pol-Stecker, zB bei"Gebiss" D-Jet	<a href="#">754355</a>	13,35 €
Rubber cap, starter wire, small	<a href="#">754354</a>	29,99 €	wire strap, ref as 001 997 4390	<a href="#">754179</a>	0,65 €
battery box cover for optional equipment trunk mounted	<a href="#">754026</a>	6,14 €	Set 2-pole-connector (m), narrow style	<a href="#">754158</a>	10,92 €
flat crimp shoe, with nose, female, ... 2,5mm²	<a href="#">754081</a>	55,16 €	Clips clamp, plastic, 13mm	<a href="#">754069</a>	1,09 €
Protection sleeve, headlamp wiring, fits L or R	<a href="#">754055</a>	0,65 €	metal pin f. el. connectors	<a href="#">754054</a>	0,77 €
	<a href="#">754046</a>	25,95 €	plug base for overvoltage protection relays	<a href="#">954177</a>	10,50 €

## 54.e Battery mounts, front or trunk

Batterie im Kofferraum ab 08.74 für USA-450SL/C (Roadster ab FG..021762, Coupe ab FG..008203) in Verbindung mit "USA-Abgas75", nachfolgend alle USA-V8 (380 bis 560), oder als Sonderausstattung SA 56200 auch in weiteren Modellen. Neben der tieferen Kofferraum-Blechmulde gibt es mehrere Einschweiß-Halter, die an den Karosserien abweichen, zB. Wegfall / Änderung von Haltekonsolen auf dem vorderen Längsträger. Heckbatterien 100AH mit niedriger Wunschbauhöhe (175mm) sind mit Platzreserve passend, populäre Ersetzungen mit Höhe 195mm können am abgerundeten Originaldeckel zu Gewaltschäden führen: die Instandhaltung des geschlossenen Kastens kann TÜV-Relevant sein wegen seiner Haltefunktion und Fernhaltung der Lade-Gase.



	adhesive label, symbol "critical accu height"	<a href="#">799950</a>	14,23 €		Rubber grommet 11/30, bulkh(190),107,...	<a href="#">299017</a>	1,59 €
	raised csk.head tapping screw 3,9 X19 zinc plated	<a href="#">788709</a>	0,19 €		Rubber grommet 11/30, blue silicon rubber	<a href="#">299517</a>	1,59 €
6	Washer 6,5 x 13	<a href="#">799915</a>	0,17 €	5	Battery holder frame R/C107	<a href="#">761226</a>	64,26 €
	del.-t. battery fixing bracket A1076260612	<a href="#">762154</a>	17,40 €	6	nut M6 w. flange, zinc plated	<a href="#">799913</a>	0,37 €
10	battery terminal screw M8 X28	<a href="#">554010</a>	0,62 €	13	hex.nut with non metallic insert M6, zinc plated	<a href="#">799812</a>	0,19 €
14	Rubber grommet 10/42, starter/generator wire	<a href="#">199014</a>	2,75 €	14	del-t: plastic grommet, starter wire @ boot	<a href="#">798876</a>	2,26 €
17	Grommet 6/26	<a href="#">299819</a>	3,15 €	40	metal strip left part for batt. mounting	<a href="#">784640</a>	55,55 €
41	metal strip right part for batterie mounting	<a href="#">784641</a>	26,07 €	45	Ground wire, trunk mounted battery	<a href="#">754245</a>	69,62 €
61	Trunk floor RH,Repro "Batt in trunk"	<a href="#">761881</a>	391,99 €	61	bracket rear body, similar 1076160431	<a href="#">761415</a>	31,40 €
61	Rep.panel trunk floor right	<a href="#">761083</a>	104,96 €	77	Grommet,multihole 27mm	<a href="#">798777</a>	2,59 €
80	Box for optional equipment "battery in trunk"	<a href="#">754080</a>	124,95 €	81	battery box cover for optional equipment trunk mounted	<a href="#">754081</a>	55,16 €
82	holding frame for batt.-box (trunk mounted) front part	<a href="#">754082</a>	40,17 €	82	holding frame for batt.-box (trunk mounted) rear part	<a href="#">754083</a>	40,17 €
96	1m round profile	<a href="#">799696</a>	1,31 €	97	Multi-Purpose Adhesive Insulation Seal	<a href="#">298001</a>	9,40 €

## 54.f switch elements, operating controls

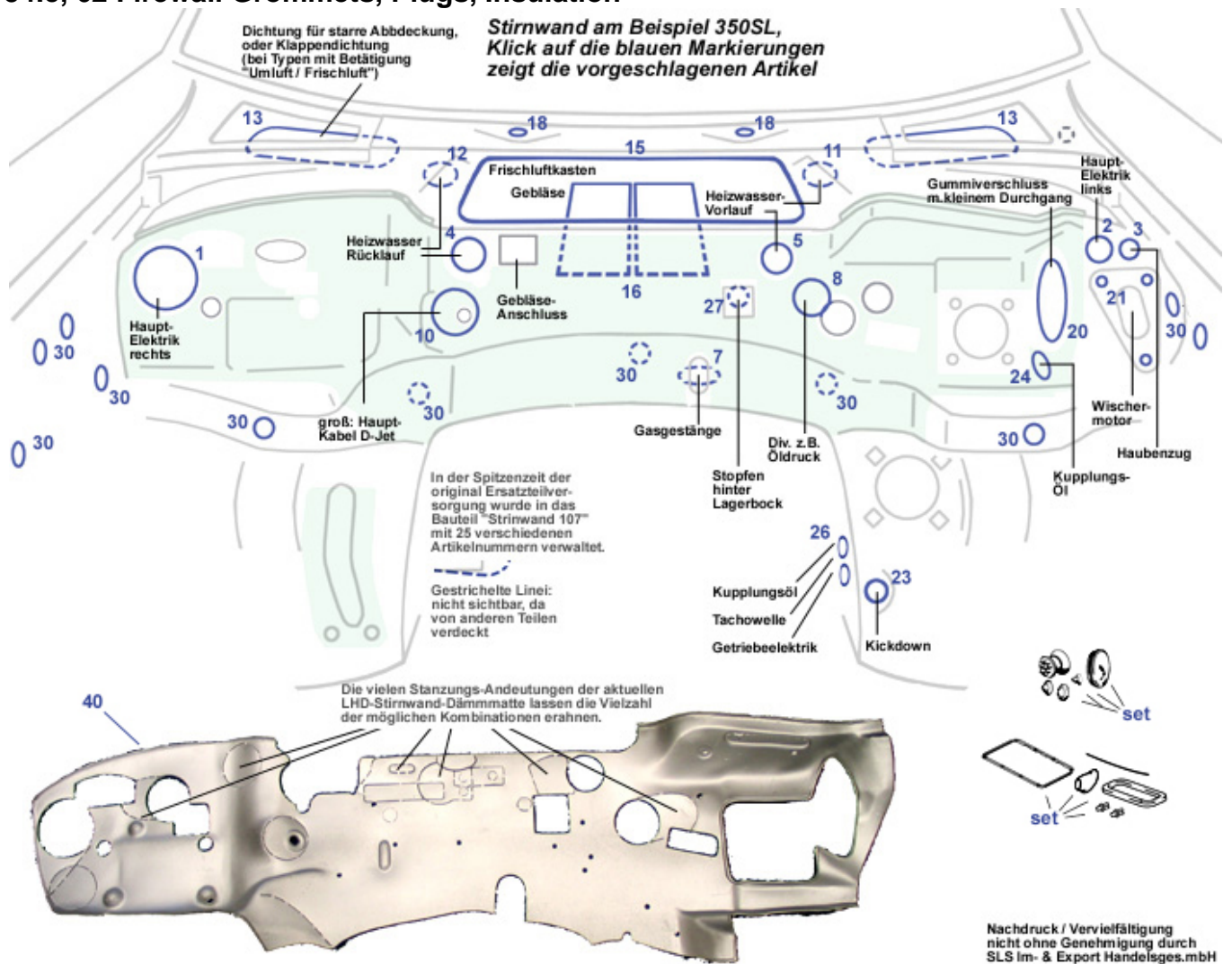


8	Lever handle, heater control GenII, 4x req	<a href="#">783482</a>	10,21 €	10	Nardi horn button 1-pole	<a href="#">246023</a>	133,16 €
10	Nardi s'wheel horn button, 2-Pole	<a href="#">746009</a>	133,16 €	13	Lamp 1,2W, cockpit check lights several	<a href="#">999096</a>	1,25 €
13	Bulb 12V/0,5W, see picture	<a href="#">799083</a>	1,52 €	27	El. switch, power window, 1x, Repro, 4-pole	<a href="#">782877</a>	69,90 €
34	El. switch, hazard indicator	<a href="#">782359</a>	18,20 €	35	el. switch SE seat heater l/r	<a href="#">782369</a>	154,70 €
36	el. switch, pwr window 300-500SL, LH, from ca '87	<a href="#">782371</a>	14,90 €	36	el. switch, pwr window 300-500SL, RH, from ca '87	<a href="#">782372</a>	7,62 €
36	el. Schalter EFH 81->87 li/re REPRO	<a href="#">782979</a>	12,20 €	36	power window switch l/r	<a href="#">782079</a>	11,00 €
40	Door switch round pin connectors	<a href="#">282721</a>	82,26 €	58	el.switch, glovebox,bonnet...	<a href="#">782885</a>	3,26 €
59	Switch, flat connectors	<a href="#">282031</a>	10,21 €	62	Rubber cover, el.switch lever to steerg. column	<a href="#">746809</a>	22,61 €
62	Rubberboot, indicator switch from 09.'75 ->	<a href="#">746810</a>	23,40 €	62	multiswitch LHD, 107 from ca. 09.'75, Marelli	<a href="#">746502</a>	76,10 €
62	Multiswitch LHD from 09.75 "Meyle"	<a href="#">746302</a>	78,36 €	67	Spiral element, fits genuine cigar lighter	<a href="#">154049</a>	18,49 €
99	Ign lock cylinder, no dedicated code, GenII	<a href="#">746052</a>	193,40 €	117	Ign switch e.g. 107 81-89, data req.	<a href="#">746091</a>	58,75 €
117	A1164620093 Switch.ignition ca 67-80	<a href="#">246091</a>	79,99 €	120	Set 3 knobs, vent levers at dashb.	<a href="#">783400</a>	34,96 €



## 60 Body, raw Frame, Floors and Panelling

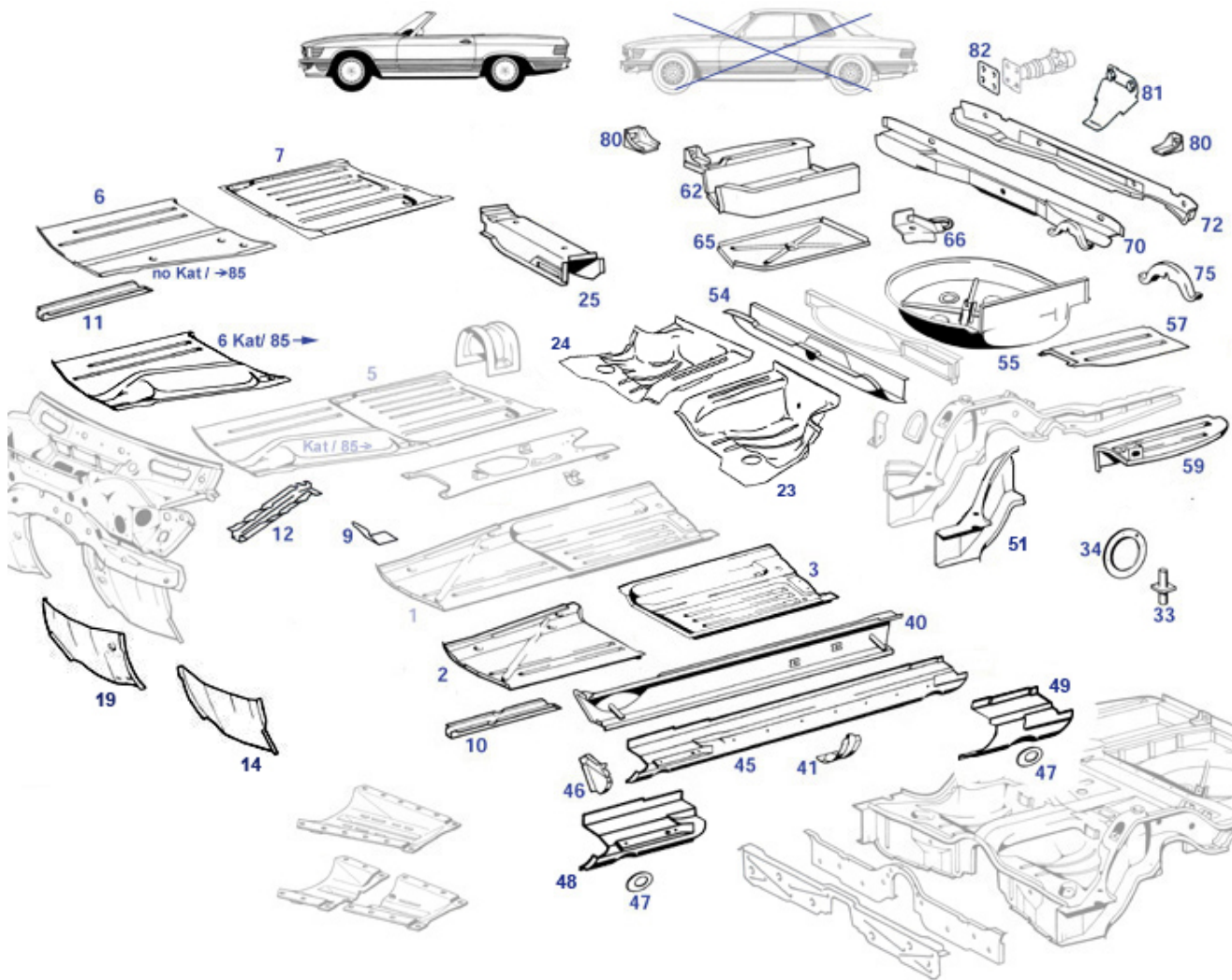
### 54.c, 62 Firewall Grommets, Plugs, Insulation



o.A.	seal pedal bracket/firewall, ca. '68-'85	<a href="#">743028</a>	2,94 €		del.-t.Grommet, rear hood lock	<a href="#">798766</a>	3,34 €
1	Grommet 17/53mm, multihole	<a href="#">798757</a>	5,80 €	2	Grommet,multiple holes, /35	<a href="#">298789</a>	3,05 €
4	Rubbergrommet, heat.return Rt. or drain 108boot	<a href="#">799003</a>	13,01 €	5	Foam ring, heater tube	<a href="#">750395</a>	3,32 €
7	Grommet, acc linkage->firewall, Repro	<a href="#">798775</a>	4,25 €	10	Grommet, angled, 18/25mm oval	<a href="#">798765</a>	9,97 €
12	Rubbergrommet, e.g.waterpipe	<a href="#">799004</a>	9,97 €	13R	Seal profile f.a. inlet	<a href="#">783819</a>	5,37 €
13R	Seal, firewall cover ->08.81	<a href="#">783037</a>	4,74 €	13R	Profile, rubber, 1m, on air inlet	<a href="#">783021</a>	4,97 €
15	Seal, heater cover, similar to genuine material	<a href="#">783110</a>	37,00 €	15	Rubberseal, firewall heater aperture	<a href="#">783810</a>	16,33 €
16	Seal, heater fan   A1078350123	<a href="#">783036</a>	28,50 €	18	Rubber shim, wiper linkage to body 107/108	<a href="#">782248</a>	0,74 €
20	Grommet, large, firewall 107	<a href="#">798759</a>	15,90 €	21	Rubber ring, wiper motor	<a href="#">282407</a>	0,77 €
24	Grommet 6/26, 45°, e.g. hydr-line clutc	<a href="#">299001</a>	2,68 €	24	Floor/Body Panel Plug - 26mm	<a href="#">298782</a>	1,30 €
26	Sealing disc, rbr. 34mm	<a href="#">798154</a>	1,65 €	26	Rbr plug 17,5mm	<a href="#">398995</a>	1,17 €

## 61.c Floors, SL Body

61.c Floors, SL Body

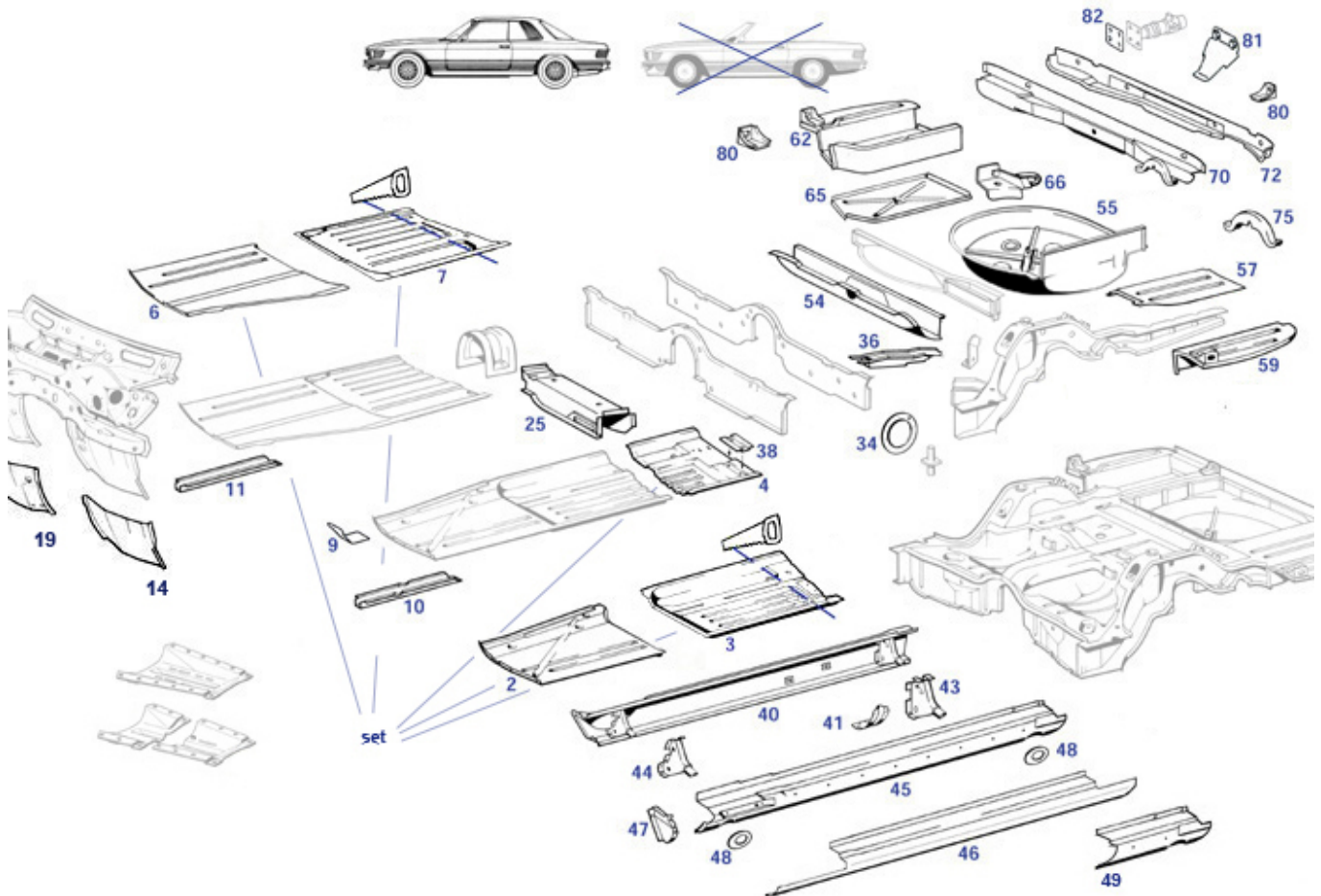


	Patch rocker panel SL107 RH, simplified	<a href="#">763821</a>	160,22 €		exhaust bracket, body-floor attachment 1 pce	<a href="#">761211</a>	12,70 €
	Patch rocker panel SL107 LH, simplified	<a href="#">763811</a>	160,22 €		Rear wheel house panel RH, inner shell near rail	<a href="#">763840</a>	243,95 €
	Rear wheel house panel LH, inner shell near rail	<a href="#">763830</a>	243,95 €		Distancer plate 1mm @ hinge	<a href="#">777289</a>	6,70 €
2	Rep.Floor panel front left	<a href="#">761031</a>	119,95 €	3	RR floor section LH	<a href="#">761035</a>	124,95 €
6	Rep.Floor panel frt RH early (no cat)	<a href="#">761041</a>	107,91 €	6kat	Fr RH 107 floor, kat buckle version	<a href="#">761042</a>	73,82 €
7	Rear Right Repair Floor Panel	<a href="#">761045</a>	124,95 €	9	mounting accelerator pedal	<a href="#">761140</a>	19,97 €
10	Rail under frt-floor LH Repro	<a href="#">761831</a>	90,83 €	11	Rail RH Repro "no Cat / flatfloor"	<a href="#">761832</a>	106,73 €
12	Rail RH floor@ Cat-bubble	<a href="#">761834</a>	106,73 €	14	Rep.-Blech Pedalboden links	<a href="#">762210</a>	129,97 €
19	Rep.-Blech Pedalboden rechts	<a href="#">762220</a>	129,97 €	23	Rep.-floor rear section LH	<a href="#">761038</a>	215,30 €
24	Rep.-floor rear section RH	<a href="#">761048</a>	215,30 €	33	bushing rear axle mounting	<a href="#">761168</a>	24,24 €
40	Rail 107 Cab left inner, Repro	<a href="#">761810</a>	450,00 €	40	Rail 107Cab inner RH up to FN	<a href="#">761820</a>	450,00 €
41	drain panel in rail LH	<a href="#">763007</a>	35,14 €	41	drain panel in rail RH	<a href="#">763008</a>	35,14 €
45	Outer sill SL, LH, Repro	<a href="#">763011</a>	459,99 €	45	Outer sill SL, RH, Repro	<a href="#">763021</a>	459,99 €
45	Sill, R107 (SL) outer, left side	<a href="#">763910</a>	279,65 €	45	Sill, R107 (SL) outer, right side	<a href="#">763920</a>	279,65 €
46	Cap, outer rail RT frt	<a href="#">763006</a>	44,80 €	46	Cap, outer rail LT frt	<a href="#">763005</a>	44,80 €
47	Reinforcement ring, jacking tubes	<a href="#">763110</a>	10,71 €	48	Rep. section SL around jackhole front left	<a href="#">763815</a>	126,00 €
48	Rep. section SL around jackhole frt RH	<a href="#">763825</a>	126,00 €	49	Rep. section SL around jackhole rear øft	<a href="#">763835</a>	116,05 €
49	Rep. section SL around jackhole rr RH	<a href="#">763845</a>	126,00 €	51	Rep-section inner rail rear LH	<a href="#">761092</a>	269,07 €
51	Rep-section rail RH	<a href="#">761102</a>	269,07 €	55	Spare Tire Fixing Mount (3rd Gen.)	<a href="#">740015</a>	40,39 €
55	B-quality Spare tire well R/C107	<a href="#">761800</a>	209,52 €	57	Trunk floor LH near bowl	<a href="#">761410</a>	59,50 €
59	Boot floor, Lt. R/C107	<a href="#">761070</a>	117,63 €	62	metal strip right part for batterie mounting	<a href="#">784641</a>	26,07 €

62	battery box cover for optional equipment trunk mounted	<a href="#">754081</a>	55,16 €	62	metal strip left part for batt. mounting	<a href="#">784640</a>	55,55 €
65	Rep.panel trunk floor right	<a href="#">761083</a>	104,96 €	65	Grommet,multihole 27mm	<a href="#">798777</a>	2,59 €
70	Front shell of rear cross member, incl.Exh-Brkt	<a href="#">761720</a>	202,65 €	70	Front shell of rear cross member, no.Exh-Brkt	<a href="#">761719</a>	172,06 €
72	Rear outer shell of rear crossmember (tailpanel) EURO	<a href="#">761730</a>	107,05 €	75	Rear exhaust bracket, weld at rr crossmember	<a href="#">761710</a>	30,58 €

## 61.c Floors, SLC Body

61.c Floors, SLC Body



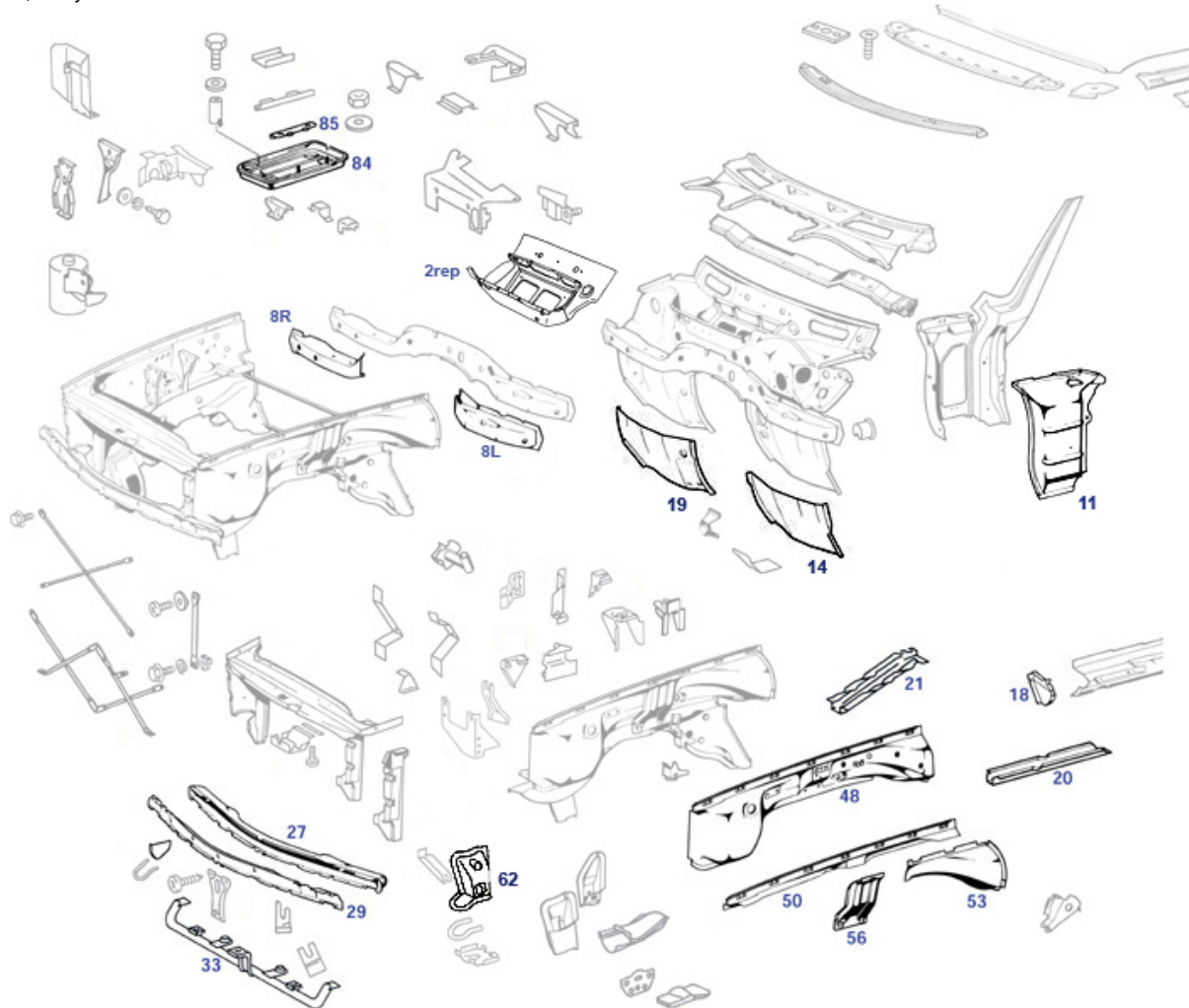
3	Repr. skirt patch SLC rear left	<a href="#">763877</a>	54,60 €	9	Repr. skirt patch SLC rear right	<a href="#">763887</a>	54,60 €
4	RR floor section LH	<a href="#">761035</a>	124,95 €	4	Floor panel C107, rear Lt.	<a href="#">761050</a>	87,04 €
4	Floor panel SLC, rear Rt.	<a href="#">761060</a>	87,04 €	6	Rep.Floor panel frt RH early (no cat)	<a href="#">761041</a>	107,91 €
7	Rear Right Repair Floor Panel	<a href="#">761045</a>	124,95 €	9	mounting accelerator pedal	<a href="#">761140</a>	19,97 €
11	Rail RH Repro "no Cat / flatfloor"	<a href="#">761832</a>	106,73 €	14	Rep.-Blech Pedalboden links	<a href="#">762210</a>	129,97 €
19	Rep.-Blech Pedalboden rechts	<a href="#">762220</a>	129,97 €	34	Metal cover round, strut, sp.tyre well, ..	<a href="#">268070</a>	7,70 €
44	Jacking point SLC, rr L+R,frt R	<a href="#">761029</a>	63,74 €	45	Outrigger / outer sill rocker panel SLC (Coupe) RH	<a href="#">763925</a>	279,65 €
45	Outrigger / outer sill rocker panel SLC (Coupe) LH	<a href="#">763915</a>	279,65 €	46	Rail patch outer SLC Rt, simplified	<a href="#">763026</a>	127,45 €
46	Rail patch outer SLC Lt, simplified	<a href="#">763016</a>	127,45 €	47	Cap, outer rail LT frt	<a href="#">763005</a>	44,80 €
47	Cap, outer rail RT frt	<a href="#">763006</a>	44,80 €	48	Reinforcement ring, jacking tubes	<a href="#">763110</a>	10,71 €
49	Rep-section rear sill SLC LH	<a href="#">763816</a>	100,44 €	49	Rep-section rear sill SLC RH	<a href="#">763826</a>	100,44 €
55	Spare Tire Fixing Mount (3rd Gen.)	<a href="#">740015</a>	40,39 €	55	B-quality Spare tire well R/C107	<a href="#">761800</a>	209,52 €
57	Trunk floor LH near bowl	<a href="#">761410</a>	59,50 €	59	Boot floor, Lt. R/C107	<a href="#">761070</a>	117,63 €
59	bracket rear body, similar 1076160431	<a href="#">761415</a>	31,40 €	62	Trunk floor RH,Repro "Batt in trunk"	<a href="#">761881</a>	391,99 €



62	Grommet,multihole 27mm	<a href="#">798777</a>	2,59 €	62	Trunk floor RH,Repro "Batt@front"	<a href="#">761880</a>	308,20 €
65	Rep.panel trunk floor right	<a href="#">761083</a>	104,96 €	70	Front shell of rear cross member, incl.Exh-Brkt	<a href="#">761720</a>	202,65 €
70	Front shell of rear cross member, no.Exh-Brkt	<a href="#">761719</a>	172,06 €	72	Rear outer shell of rear crossmember (tailpanel) EURO	<a href="#">761730</a>	107,05 €

## 62.b Front, Body / Frame

62.b Front, Body / Frame

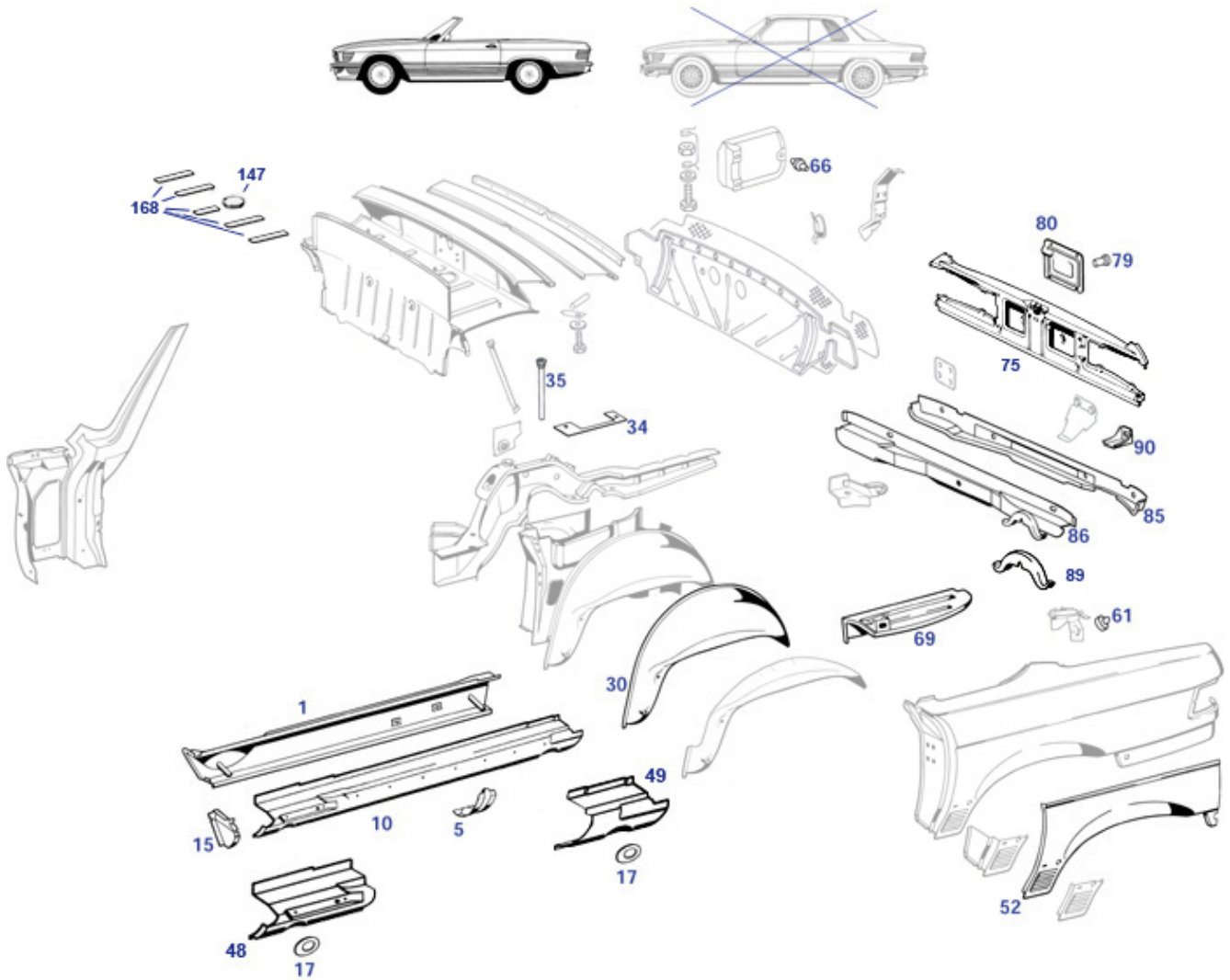


	A1076200686 Crosspiece, front, rear par	<a href="#">762030</a>	215,00 €	2rep	Rep section bulkhead @ blower box	<a href="#">762838</a>	713,99 €
11	'A' pillar, outer, Lt., Repro	<a href="#">761770</a>	95,00 €	11	'A' pillar, outer, Rt., Repro	<a href="#">761780</a>	95,00 €
13	mounting accelerator pedal	<a href="#">761140</a>	19,97 €	14	Rep.-Blech Pedalboden links	<a href="#">762210</a>	129,97 €
18	Cap, outer rail RT frt	<a href="#">763006</a>	44,80 €	18	Cap, outer rail LT frt	<a href="#">763005</a>	44,80 €
19	Rep.-Blech Pedalboden rechts	<a href="#">762220</a>	129,97 €	20	Rail under frt-floor LH Repro	<a href="#">761831</a>	90,83 €
21	Rail RH Repro "no Cat / flatfloor"	<a href="#">761832</a>	106,73 €	21	Rail RH floor@ Cat-bubble	<a href="#">761834</a>	106,73 €
27	Rear shell of front cross member	<a href="#">762730</a>	137,65 €	29	front cap for european crossmember front	<a href="#">762720</a>	98,18 €
33	tube, radiator support, repro similar 1076200886	<a href="#">762038</a>	116,63 €	33	buffer water cooler	<a href="#">750856</a>	5,36 €
48	Inner wing, front, Lt.	<a href="#">762130</a>	317,74 €	48	Inner wing, front, Rt.	<a href="#">762140</a>	317,74 €
50	Rest: Inner wing repair piece, rt.	<a href="#">762141</a>	47,27 €	50	Rest: Inner wing repair piece, left	<a href="#">762131</a>	47,27 €
53	wheelarch reinforcement LH	<a href="#">762810</a>	59,36 €	53	wheelarch reinforcement RH	<a href="#">762820</a>	59,36 €
56	Shock absorber support LH	<a href="#">762135</a>	113,59 €	56	Shock absorber support RH	<a href="#">762145</a>	113,59 €
62	support bracket, RH frame to torsion bar frt late	<a href="#">761842</a>	409,44 €	62	support bracket, RH frame to torsion bar frt early	<a href="#">761824</a>	284,47 €
84	adhesive label, symbol "critical accu height"	<a href="#">799950</a>	14,23 €	84	Battery holder frame R/C107	<a href="#">761226</a>	64,26 €

85	del.-t. battery fixing bracket A1076260612	<a href="#">762154</a>	17,40 €	85	nut M6 w. flange, zinc plated	<a href="#">799913</a>	0,37 €
----	---	------------------------	---------	----	-------------------------------	------------------------	--------

## 63,64.c Boot, Boot Floors, Tail Panels, SL

63,64.c Boot, Boot Floors, Tail Panels, SL



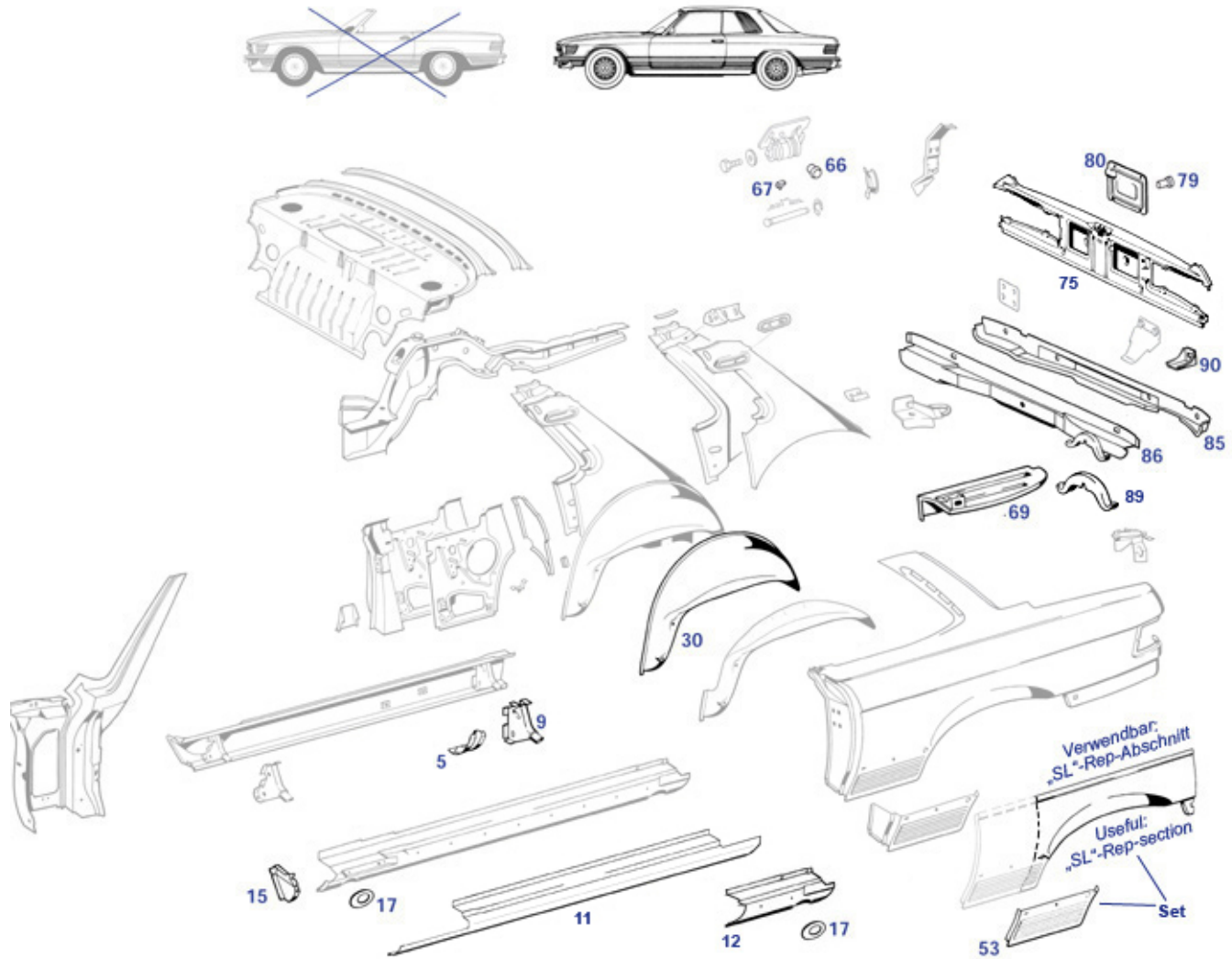
	Patch panel rear wheel arch /wing LH, see pict	<a href="#">763871</a>	46,93 €	flap	Secand Choice; Forced ventilation flap	<a href="#">783075</a>	30,94 €
	battery box cover for optional equipment trunk mounted	<a href="#">754081</a>	55,16 €		metal strip left part for batterie mounting	<a href="#">784640</a>	55,55 €
	metal strip right part for batterie mounting	<a href="#">784641</a>	26,07 €		nut M6 w. flange, zinc plated	<a href="#">799913</a>	0,37 €
	Patch panel rear wheel arch /wing RH, see pict	<a href="#">763881</a>	46,93 €	1	Rail 107 Cab left inner, Repro	<a href="#">761810</a>	450,00 €
1	Rail 107Cab inner RH up to FN	<a href="#">761820</a>	450,00 €	5	drain panel in rail LH	<a href="#">763007</a>	35,14 €
5	drain panel in rail RH	<a href="#">763008</a>	35,14 €	10	Outer sill SL, RH, Repro	<a href="#">763021</a>	459,99 €
10	Outer sill SL, LH, Repro	<a href="#">763011</a>	459,99 €	15	Cap, outer rail RT frt	<a href="#">763006</a>	44,80 €
15	Cap, outer rail LT frt	<a href="#">763005</a>	44,80 €	17	Reinforcment ring, jacking tubes	<a href="#">763110</a>	10,71 €
30	Inner wheel arch R/C107 rr.LH	<a href="#">763050</a>	182,75 €	30	Inner wheel arch R/C107 rr.RH	<a href="#">763060</a>	140,60 €
34	Distancer plate 1mm @ hinge	<a href="#">777289</a>	6,70 €	35	Run-off hose (box drain)	<a href="#">779032</a>	9,39 €
45	Washer 6.4 large, yellow zinced	<a href="#">299276</a>	0,18 €	45	nut, coverings, fits M6 bolts	<a href="#">799097</a>	1,26 €
48	Rep. section SL around jackhole front left	<a href="#">763815</a>	126,00 €	48	Rep. section SL around jackhole frt RH	<a href="#">763825</a>	126,00 €
49	Rep. section SL around jackhole rear öeft	<a href="#">763835</a>	116,05 €	49	Rep. section SL around jackhole rr RH	<a href="#">763845</a>	126,00 €
52	Whl.arch R107 rear left	<a href="#">763073</a>	130,90 €	52	Whl.arch R107 rear Rt.	<a href="#">763083</a>	130,90 €
66	Rubber buffer SL filler flap, 2x needed	<a href="#">798787</a>	2,21 €	69	bracket rear body, similar 1076160431	<a href="#">761415</a>	31,40 €



69	Boot floor, Lt. R/C107	<a href="#">761070</a>	117,63 €	75	Outer shell only, tail panel 107	<a href="#">764691</a>	218,66 €
75	Tail panel, inner shell only	<a href="#">764692</a>	156,19 €	75	Tail panel, repro	<a href="#">764890</a>	327,25 €
79	M5 riveted nut eg lic-plate	<a href="#">764099</a>	0,64 €	80	cover, rear panel, inner	<a href="#">269033</a>	43,61 €
85	Rear outer shell of rear crossmember (tailpanel) EURO	<a href="#">761730</a>	107,05 €	86	Front shell of rear cross member, incl.Exh-Brkt	<a href="#">761720</a>	202,65 €
86	Front shell of rear cross member, no.Exh-Brkt	<a href="#">761719</a>	172,06 €	89	Rear exhaust bracket, weld at rr crossmember	<a href="#">761710</a>	30,58 €

## 63,64.c Boot, Boot Floors, Tail Panels, SLC

63,64.c Boot, Boot Floors, Tail Panels, SLC

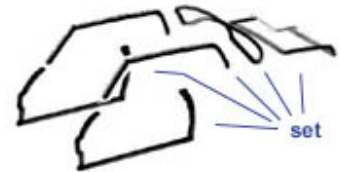
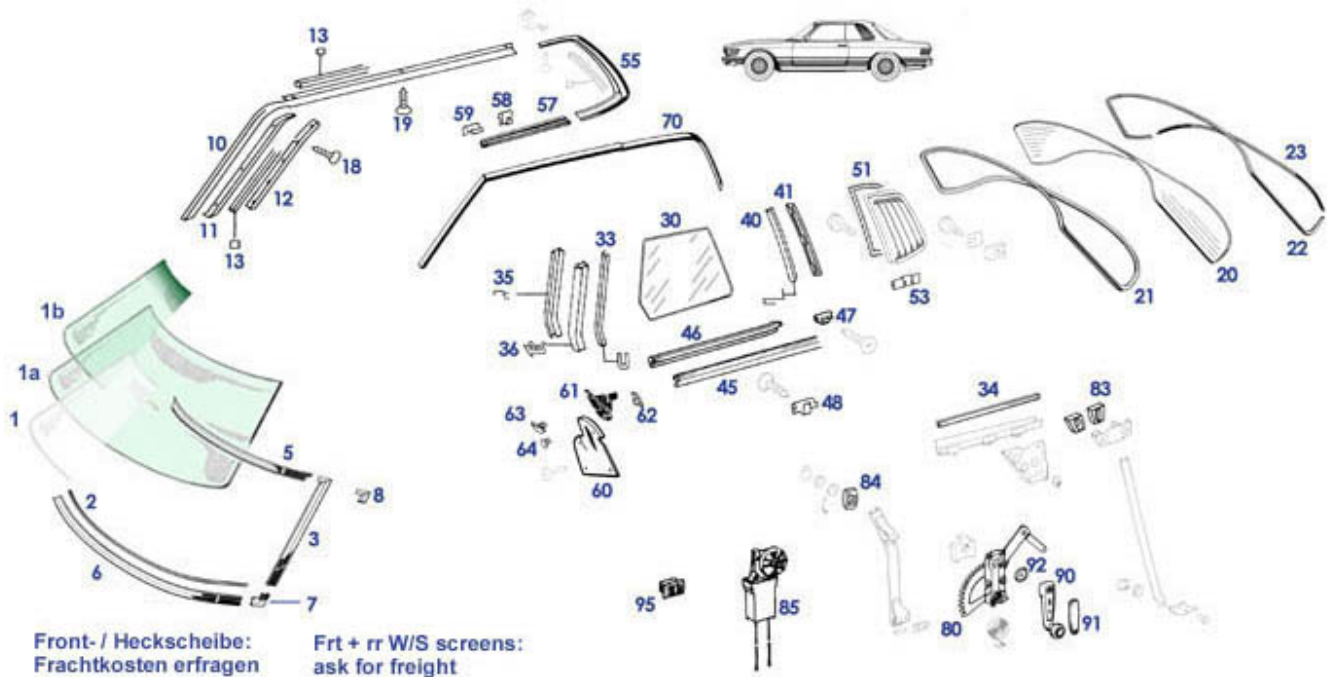


	Patch panel rear wheel arch /wing RH, see pict	<a href="#">763881</a>	46,93 €		Patch panel rear wheel arch /wing LH, see pict	<a href="#">763871</a>	46,93 €
SLnotSL C	Whl.arch R107 rear Rt.	<a href="#">763083</a>	130,90 €	SLnotSL C	Whl.arch R107 rear left	<a href="#">763073</a>	130,90 €
	battery box cover for optional equipment trunk mounted	<a href="#">754081</a>	55,16 €	5	drain panel in rail LH	<a href="#">763007</a>	35,14 €
5	drain panel in rail RH	<a href="#">763008</a>	35,14 €	9	Jacking point SLC, rr L+R,frt R	<a href="#">761029</a>	63,74 €
11	Rail patch outer SLC Lt, simplified	<a href="#">763016</a>	127,45 €	11	Rail patch outer SLC Rt, simplified	<a href="#">763026</a>	127,45 €
12	Rep-section rear sill SLC LH	<a href="#">763816</a>	100,44 €	12	Rep-section rear sill SLC RH	<a href="#">763826</a>	100,44 €
17	Reinforcement ring, jacking tubes	<a href="#">763110</a>	10,71 €	53	Repr. skirt SLC rear Rt., repro	<a href="#">763088</a>	152,51 €
53	Repr. skirt SLC rear Lt., repro.	<a href="#">763078</a>	152,51 €	53	Repr. skirt patch SLC rear left	<a href="#">763877</a>	54,60 €
53	Repr. skirt patch SLC rear right	<a href="#">763887</a>	54,60 €	66	rubber buffer, fuel filler door 108,111,SLC107	<a href="#">398795</a>	2,30 €
69	bracket rear body, similar 1076160431	<a href="#">761415</a>	31,40 €	69	Boot floor, Lt. R/C107	<a href="#">761070</a>	117,63 €
75	Outer shell only, tail panel 107	<a href="#">764691</a>	218,66 €	75	Tail panel, inner shell only	<a href="#">764692</a>	156,19 €
75	Tail panel, repro	<a href="#">764890</a>	327,25 €	79	M5 riveted nut eg lic-plate	<a href="#">764099</a>	0,64 €

80	cover, rear panel, inner	<a href="#">269033</a>	43,61 €	85	Rear outer shell of rear crossmember (tailpanel) EURO	<a href="#">761730</a>	107,05 €
86	Front shell of rear cross member, incl.Exh-Brkt	<a href="#">761720</a>	202,65 €	86	Front shell of rear cross member, no.Exh-Brkt	<a href="#">761719</a>	172,06 €

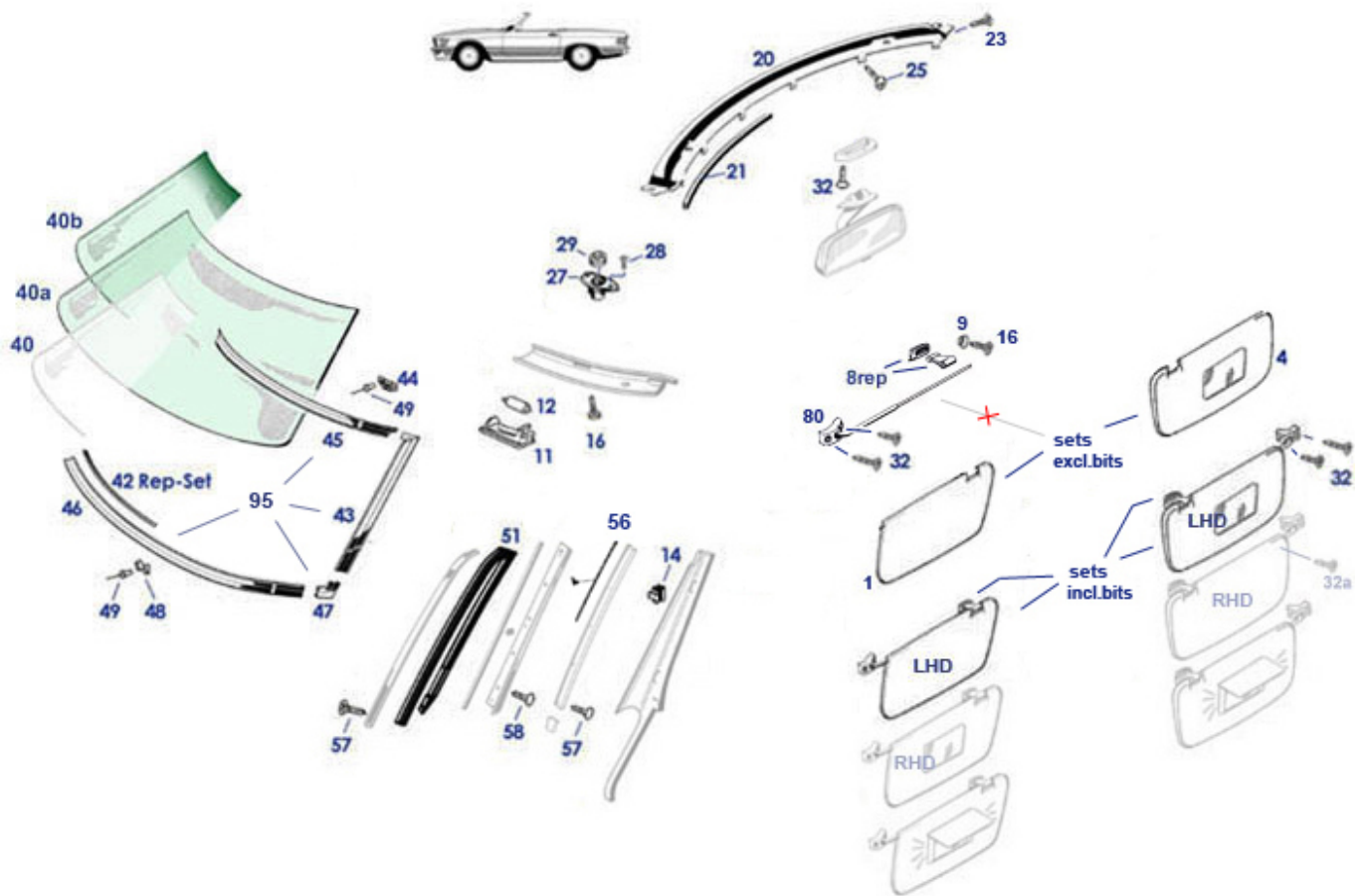
## 67 Windows and Weatherstrips

### 67.c SLC Windows, weatherstrips



	Clip, door seal	<a href="#">873159</a>	0,60 €		Window crank handle 63-70 replacemt	<a href="#">276001</a>	133,64 €
	Grommet, for wiring at heated rear window	<a href="#">798782</a>	3,34 €	1	Windscreen SLC,clear aftm.	<a href="#">767100</a>	259,99 €
1a	Windscreen SLC,green aftm.	<a href="#">767200</a>	266,50 €	1b	Wind screen SLC green + stripe	<a href="#">767220</a>	259,99 €
1	W/S glastransp. incl. box(Germany)	<a href="#">967999</a>	121,25 €	2	1m rubber profile, window garnish trim	<a href="#">779030</a>	1,19 €
18	Screw, R/C107, R113	<a href="#">272724</a>	0,51 €	19	panelling screw, phillips, chromed	<a href="#">268133</a>	1,32 €
21	Seal, rear window SLC, OE-quality	<a href="#">767033</a>	99,00 €	33	1m rubber inlay profile, glasses to frames	<a href="#">767860</a>	3,55 €
34	1m Inlay, rubber. lifting channel	<a href="#">767509</a>	13,47 €	45	Brush profile, outer Lt. rear	<a href="#">773513</a>	14,89 €
45	Brush profile, outer Rt. rear	<a href="#">773512</a>	14,89 €	46	Brush profile, inner Lt. rear	<a href="#">773511</a>	15,59 €
46	Brush profile, inner Rt. rear	<a href="#">773510</a>	15,59 €	47	Clip for brush 872500, early 107, up to 20 pcs.	<a href="#">772503</a>	1,56 €
48	Clip, brush strip, inner @ coupe-window	<a href="#">772504</a>	3,09 €	58	Clip, outer door decoration trim, front end	<a href="#">772505</a>	3,13 €
61	Seal, 1/4 window, front Lt. SLC	<a href="#">767221</a>	59,10 €	61	Seal, 1/4 window, front Rt. SLC	<a href="#">767222</a>	59,10 €
63	Stopper for seal	<a href="#">772159</a>	0,40 €	70	Seal, SLC side window, Rt.	<a href="#">772211</a>	172,55 €
70	Seal, SLC side window, Lt.	<a href="#">772216</a>	172,55 €	85	El. motor, el. window Rt. replaced design	<a href="#">772548</a>	199,00 €
85	El. motor, el. window Lt., replaced design	<a href="#">772547</a>	208,90 €	90	Handle MB,W123-design, usable '70-'82	<a href="#">776001</a>	3,67 €
95	Switch, el.w.,2 way+fuse SL	<a href="#">782374</a>	71,39 €	95	Switch, el.windows, 2 way SLC, RH	<a href="#">782375</a>	71,39 €

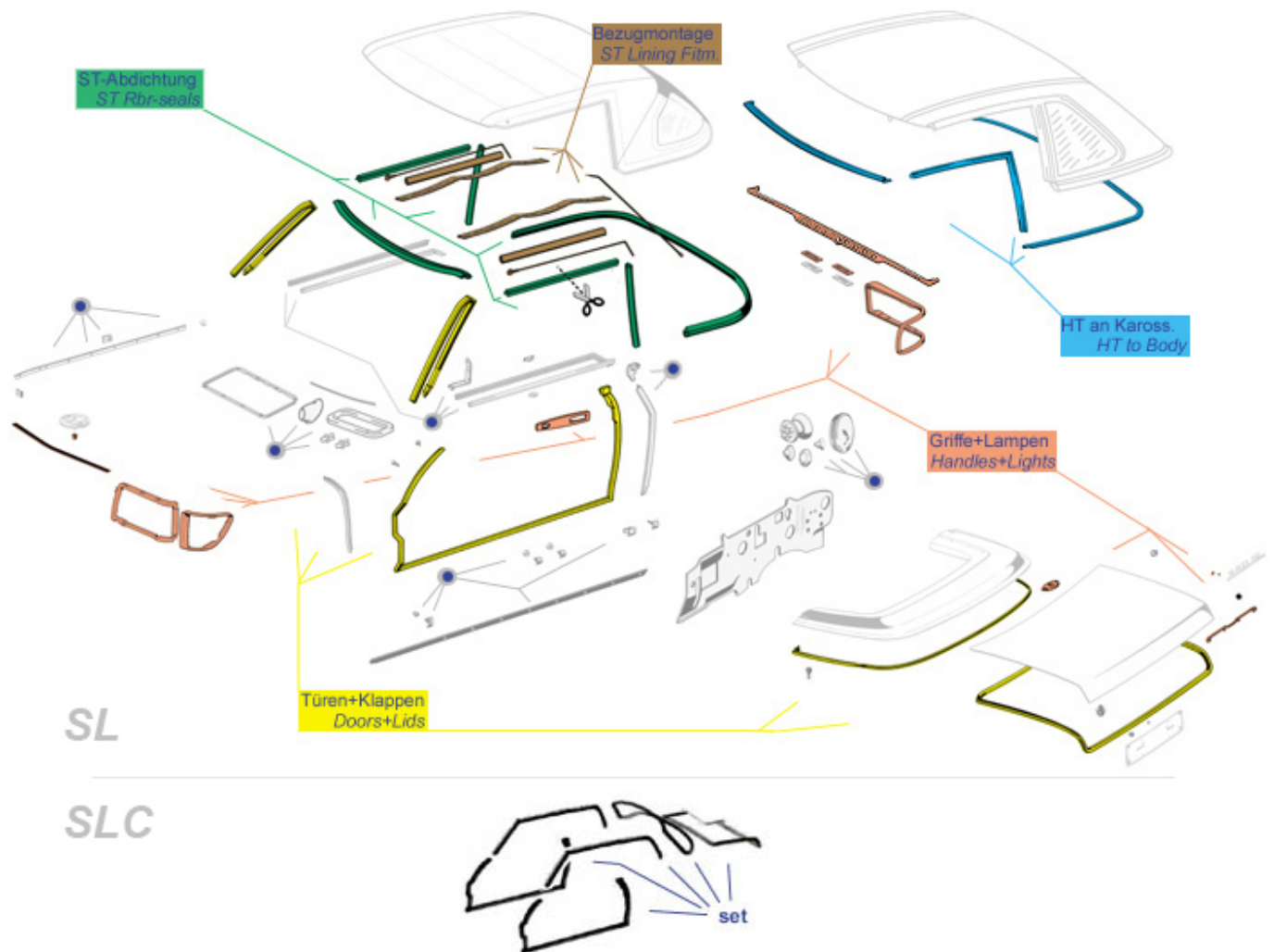
### 67.b, 69, 81 Windscreen and Window Frame Attachment Parts



	Set sunvisors SL LHD creme	<a href="#">781785</a>	236,81 €	incl_bits	Set sunvisors SL incl brackets LHD	<a href="#">781187</a>	356,99 €
	Set sunvisors SL LHD darkblue	<a href="#">781755</a>	236,81 €	incl_bits	Set sunvisors SL incl brackets LHD	<a href="#">781175</a>	399,99 €
incl_bits	Set sunvisors SL incl brackets LHD	<a href="#">781185</a>	388,70 €	incl_bits	Set sunvisors SL incl brackets LHD	<a href="#">781186</a>	356,99 €
incl_bits	Set sunvisors SL incl brackets LHD	<a href="#">781155</a>	399,99 €	incl_bits	Set sunvisors SL incl brackets LHD	<a href="#">781165</a>	414,00 €
incl_bits	Set sunvisors SL incl brackets LHD	<a href="#">781195</a>	399,99 €		Set sunvisors SL LHD beige	<a href="#">781765</a>	236,81 €
	Cover deco rail, w/s frame upper,	<a href="#">767715</a>	245,00 €	1	Sunvisor SL without brackets, LH,	<a href="#">781873</a>	53,55 €
1	repro				grey, without mirror		
1	Sunvisor SL w/o brackets LH black,	<a href="#">781891</a>	53,55 €	1	As long as stock lasts! Sunvisor SL	<a href="#">781173</a>	194,99 €
1	no mirror				w/o brackets LH grey		
1	sunvisor SL LH, without brackets,	<a href="#">781881</a>	53,55 €	1	As long as stock lasts! Sunvisor SL	<a href="#">781191</a>	163,18 €
1	dark brown, without mirror				w/o brackets LH black		
1	sunvisor SL, without brackets, LH,	<a href="#">781801</a>	53,55 €	1	As long as stock lasts! Sunvisor SL	<a href="#">781123</a>	178,50 €
1	light brown, without mirror				w/o brackets LH creme		
1	As long as stock lasts ! Sunvisor SL	<a href="#">781151</a>	173,39 €	1	sunvisor SL, without brackets, LH	<a href="#">781751</a>	53,55 €
4	w/o brackets LH blue				blue, without mirror		
4	As long as stock lasts! Sunvisor SL	<a href="#">781192</a>	173,39 €	4	As long as stock lasts! Sunvisor SL	<a href="#">781174</a>	194,99 €
4	w/o brackets RH black				w/o brackets RH grey		
4	As long as stock lasts! Sunvisor SL	<a href="#">781124</a>	183,95 €	4	Sunvisor SL w/o brackets RH blue	<a href="#">781152</a>	173,39 €
4	w/o brackets RH creme						
4	sunvisor SL, without brackets,RH	<a href="#">781752</a>	53,55 €	4	Sunvisor SL w/o brackets RH black,	<a href="#">781892</a>	53,55 €
4	blue, with mirror				w.mirror		
4	Sunvisor SL without brackets RH	<a href="#">781874</a>	53,55 €	4	sunvisor SL RH without brackets,	<a href="#">781882</a>	53,55 €
4	grey, with mirror				dark brown, with mirror		
4	sunvisor SL, without brackets, RH,	<a href="#">781802</a>	53,55 €	8rep	pin+bushing, sunvisor olive	<a href="#">781406</a>	14,99 €
4	light brown, with mirror						
8rep	pin+bushing, sunvisor red	<a href="#">781407</a>	14,99 €	8rep	pin+bushing, sunvisor black	<a href="#">781400</a>	5,95 €
8rep	pin+bushing, sunvisor blue	<a href="#">781401</a>	5,95 €	8rep	pin+bushing, sunvisor light brown	<a href="#">781402</a>	14,99 €
8rep	pin+bushing, sunvisor cream	<a href="#">781403</a>	5,95 €	8rep	pin+bushing, sunvisor grey	<a href="#">781404</a>	14,99 €
8rep	pin+bushing, sunvisor henna	<a href="#">781405</a>	14,99 €	9	Escutcheon fitting panelling screws	<a href="#">267014</a>	0,89 €

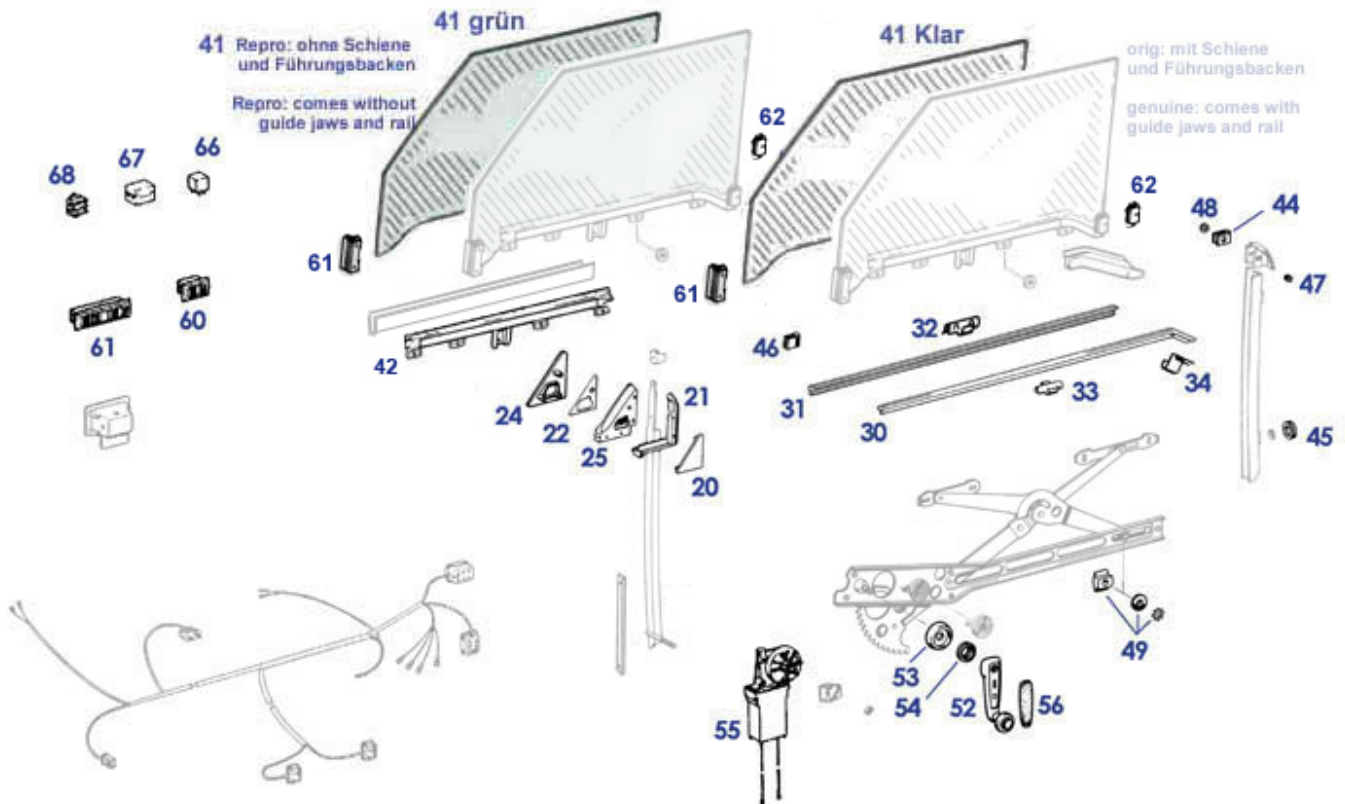
11	Interior light without bulb, version'	<a href="#">77782829</a>	5,83 €	12	diam 3,9 Bulb 12V / 5W, torpedo, total length	<a href="#">299098</a>	1,54 €
16	Screw	<a href="#">799929</a>	0,38 €	23	panelling screw, phillips, chromed	<a href="#">268133</a>	1,32 €
25	Screw	<a href="#">799931</a>	0,24 €	28	Screw, 6x16 e.g. door catch, ..	<a href="#">777021</a>	1,24 €
29	rubber ring at windscreen frame	<a href="#">777015</a>	2,63 €	32	raised countersunk head tapping screws, chrome plated 4,8X19	<a href="#">798981</a>	2,25 €
32	raised countersunk head tapping screw, chrome plated, 4,8x25	<a href="#">798982</a>	2,25 €	32	Screw, interior mirror	<a href="#">799928</a>	0,50 €
40a	Windscreen R107, green aftm.	<a href="#">767010</a>	344,51 €	40	Windscreen R107, clear aftm.	<a href="#">767110</a>	350,54 €
40b	Windscreen R107   Green w/ Green Sunstripe	<a href="#">767020</a>	499,99 €	40a	W/S glastransp. incl. box(Germany)	<a href="#">967999</a>	121,25 €
40b	W.S.R107,green+blue stripe	<a href="#">767022</a>	293,80 €	42	1m rubber profile, window garnish trim	<a href="#">779030</a>	1,19 €
43	Clip, w/s dec. trim strips	<a href="#">767846</a>	1,19 €	44	Clip, dec. strip, upper windscreen 6x req.	<a href="#">798735</a>	0,20 €
48	Clip Windscreen trims   A1079881578	<a href="#">767046</a>	1,39 €	49	Rivet, rear window drip strips	<a href="#">270691</a>	0,20 €
51	Seal A-pillar R107 leftrepro	<a href="#">772825</a>	94,49 €	51	Seal, 'A' pillar, R107 Rt.	<a href="#">772220</a>	160,00 €
51	Seal, 'A' pillar, R107 lft.	<a href="#">772225</a>	160,00 €	51	Seal A-pillar R107 rightrepro	<a href="#">772820</a>	94,49 €
56	1m Seal, drip mould, ..	<a href="#">772622</a>	5,95 €	57	countersunk head tapping screw 3,5X13, sealing rail 230SL	<a href="#">272723</a>	0,13 €
80	visor rod w. metal bracket LH, black	<a href="#">781511</a>	86,52 €	80	visor rod w. metal bracket RH, black	<a href="#">781512</a>	86,52 €
80	visor rod w. metal bracket LH, unpaunte	<a href="#">781513</a>	69,63 €	80	visor rod w. metal bracket RH, unpaunte	<a href="#">781514</a>	69,63 €

## 72, 75, 77, .. Body Rubber Seals / Weatherstrip Kits





## 72.c Door Window

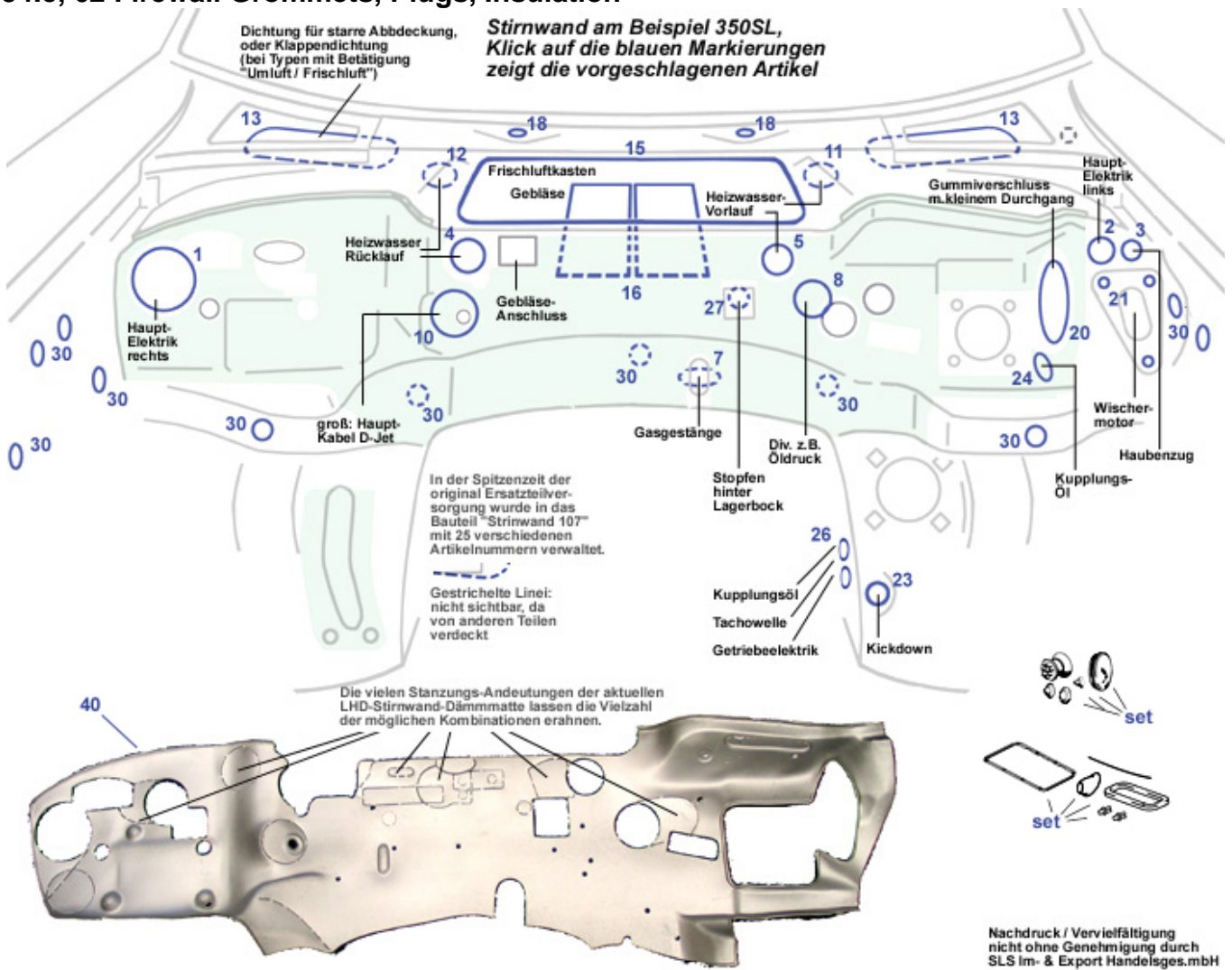


	Clip, brush strip, inner @ coupe-window	<a href="#">772504</a>	3,09 €	20	Inner cover plate, mirror RT, early, Repro	<a href="#">781044</a>	8,33 €	
20	Inner cover plate, mirror LT, early, Repro	<a href="#">781034</a>	8,33 €	20	A1077200311 Cover,RHD Lt. electric mirr	<a href="#">781554</a>	10,61 €	
20	Cover,LHD Rt. electric mirrow	<a href="#">781064</a>	15,20 €	20	Cover plate, LHD,I, for Ig.	<a href="#">781056</a>	15,20 €	
21	Guide, window, front Lt.	<a href="#">772511</a>	38,83 €	21	Guide, window, front Rt.	<a href="#">772512</a>	38,83 €	
22	Seal, mirror plate, outer	<a href="#">772782</a>	4,62 €	30	Profile, door inner->glass, late style l or r	<a href="#">772510</a>	39,38 €	
31	1m brush profile? Window Scraper Seal - 1157250965	<a href="#">872500</a>	21,19 €	31	Profile, door outer->glass, late style	<a href="#">772500</a>	24,07 €	
32	Clip for brush 872500, early 107, up to 20 pcs.	<a href="#">772503</a>	1,56 €	32	Clip, fits new style brush, black	<a href="#">772508</a>	0,73 €	
33	Clip inner brush, late (from ca. 11.1982)	<a href="#">773804</a>	3,00 €	34	Clip, brush strip, inner rear (2req), up to 12.'83	<a href="#">772506</a>	3,13 €	
41gn	Door glass SL RH, green, no brackets	<a href="#">772721</a>	205,00 €	41gn	Door glass SL LH green, no brackets	<a href="#">772711</a>	205,00 €	
41gn	Door glass SL LH green, no brackets	<a href="#">772811</a>	208,25 €	41gn	Door glass SL RH, green, no brackets	<a href="#">772821</a>	208,25 €	
41cl	Door glass SL RH, clear, no brackets	<a href="#">772720</a>	218,00 €	41cl	Door glass SL LH, clear, no brackets	<a href="#">772710</a>	218,00 €	
42	Glass supporting rubber profile, to be glued (70cm)	<a href="#">772075</a>	6,55 €	42	glass supporting rail, door RH	<a href="#">772074</a>	164,99 €	
42	Glass supporting rail, door LH	<a href="#">772073</a>	164,99 €	44	Insert, guide channel,rear	<a href="#">770624</a>	4,56 €	
45	Plug, oval, door rear face	<a href="#">798851</a>	1,18 €	46	slide insert for guide jaws at doorglass	<a href="#">772829</a>	6,19 €	
47	Grub screw	<a href="#">270722</a>	6,66 €	48	Rubber washer,adjusted slide rail inser	<a href="#">270723</a>	0,99 €	
49	Washer Kit for Mounting Window Regulator - 1237200114	<a href="#">272752</a>	10,88 €	52	Handle MB,W123-design, usable '70-'82	<a href="#">776001</a>	3,67 €	
55	2 pole terminal	<a href="#">154052</a>	44,85 €	55	El. motor, el. window Lt., replaced design	<a href="#">772547</a>	208,90 €	
55	El. motor, el. window Rt. replaced design	<a href="#">772548</a>	199,00 €	61	Switch, el.w.,2 way+fuse SL	<a href="#">782374</a>	71,39 €	
61	El. switch, power window,1x,	<a href="#">782877</a>	69,90 €	61	el. switch, pwr window 300-500SL,	<a href="#">782372</a>	7,62 €	

61	Repro, 4-pole Door glass front guide jaw L or R <a href="#">772824</a>	58,31 €	61	RH, from ca '87 el. switch, pwr window 300-500SL, <a href="#">782371</a>	14,90 €
61	Switch, el.windows, 2 way SLC, RH <a href="#">782375</a> side	71,39 €	62	LH, from ca '87 Door glass rear guide jaw L <a href="#">772827</a>	55,99 €
62	Door glass rear guide jaw R <a href="#">772828</a>	55,99 €	66	El. relay, 5-pin see pict, div. applications <a href="#">754329</a>	17,85 €

## 68, 69 Interior Covering, Damping, Insulation

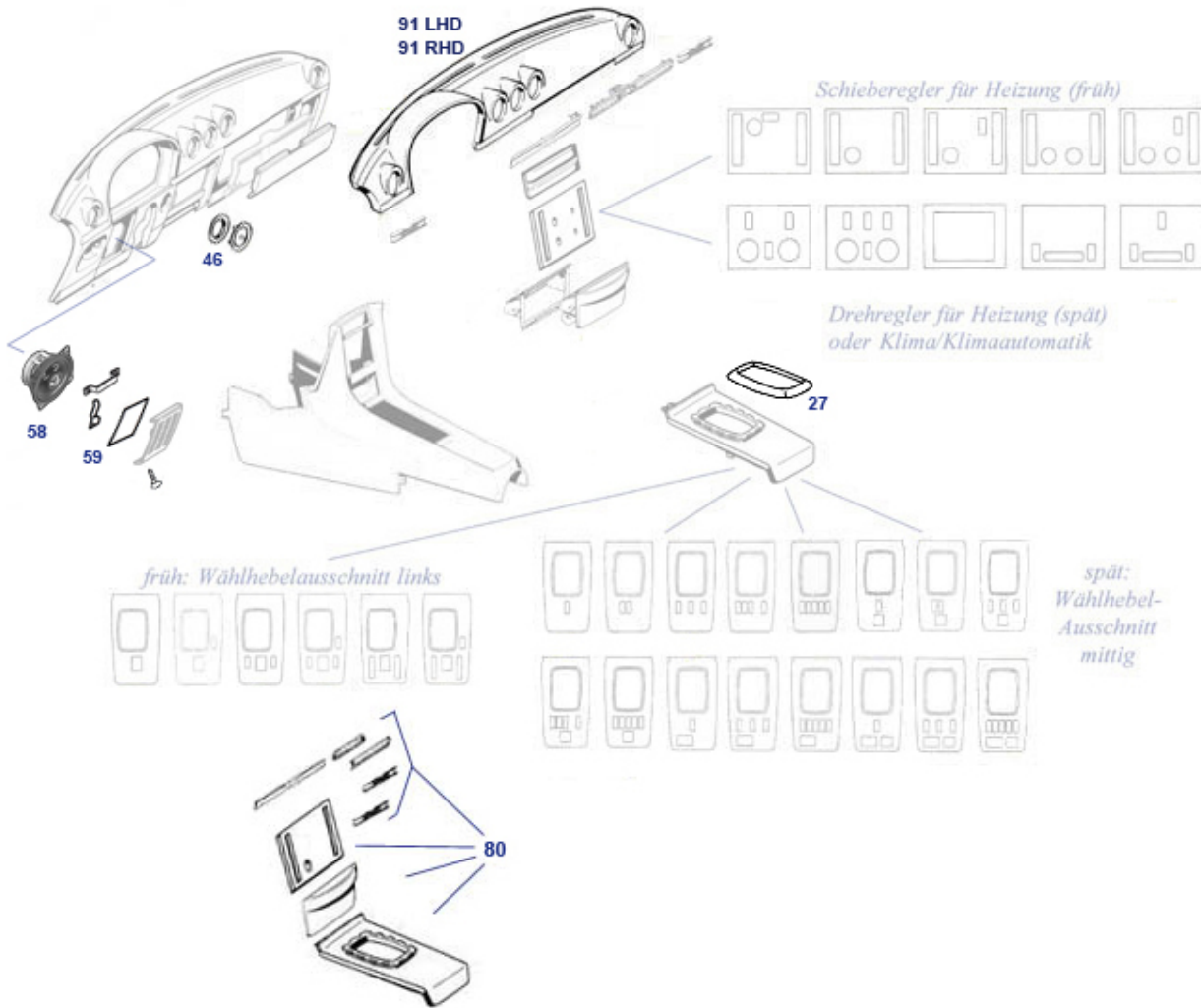
### 54.c, 62 Firewall Grommets, Plugs, Insulation



o.A.	seal pedal bracket/firewall, ca. '68-'85	<a href="#">743028</a>	2,94 €		del.-t.Grommet, rear hood lock	<a href="#">798766</a>	3,34 €
1	Grommet 17/53mm, multihole	<a href="#">798757</a>	5,80 €	4	Rubbergrommet, heat.return Rt. or drain 108boot	<a href="#">799003</a>	13,01 €
5	Foam ring, heater tube	<a href="#">750395</a>	3,32 €	7	Grommet, acc linkage->firewall, Repro	<a href="#">798775</a>	4,25 €
8	Grommet,mutiple holes, /35	<a href="#">298789</a>	3,05 €	10	Grommet, angled, 18/25mm oval	<a href="#">798765</a>	9,97 €
12	Rubbergrommet, e.g:waterpipe	<a href="#">799004</a>	9,97 €	13R	Seal profile f.a. inlet	<a href="#">783819</a>	5,37 €
13R	Seal, firewall cover ->08.81	<a href="#">783037</a>	4,74 €	13R	Profile, rubber, 1m, on air inlet	<a href="#">783021</a>	4,97 €
15	Seal, heater cover, similar to genuine material	<a href="#">783110</a>	37,00 €	15	Rubberseal, firewall heater aperture	<a href="#">783810</a>	16,33 €
16	Seal, heater fan   A1078350123	<a href="#">783036</a>	28,50 €	18	Rubber shim, wiper linkage to body 107/108	<a href="#">782248</a>	0,74 €
20	Grommet, large, firewall 107	<a href="#">798759</a>	15,90 €	21	Rubber ring, wiper motor	<a href="#">282407</a>	0,77 €
24	Grommet 6/26, 45°, e.g. hydr-line clutc	<a href="#">299001</a>	2,68 €	24	Floor/Body Panel Plug - 26mm	<a href="#">298782</a>	1,30 €
26	Sealing disc, rbr. 34mm	<a href="#">798154</a>	1,65 €	26	Rbr plug 17,5mm	<a href="#">398995</a>	1,17 €

## 68.a Dashboard and wooden covers

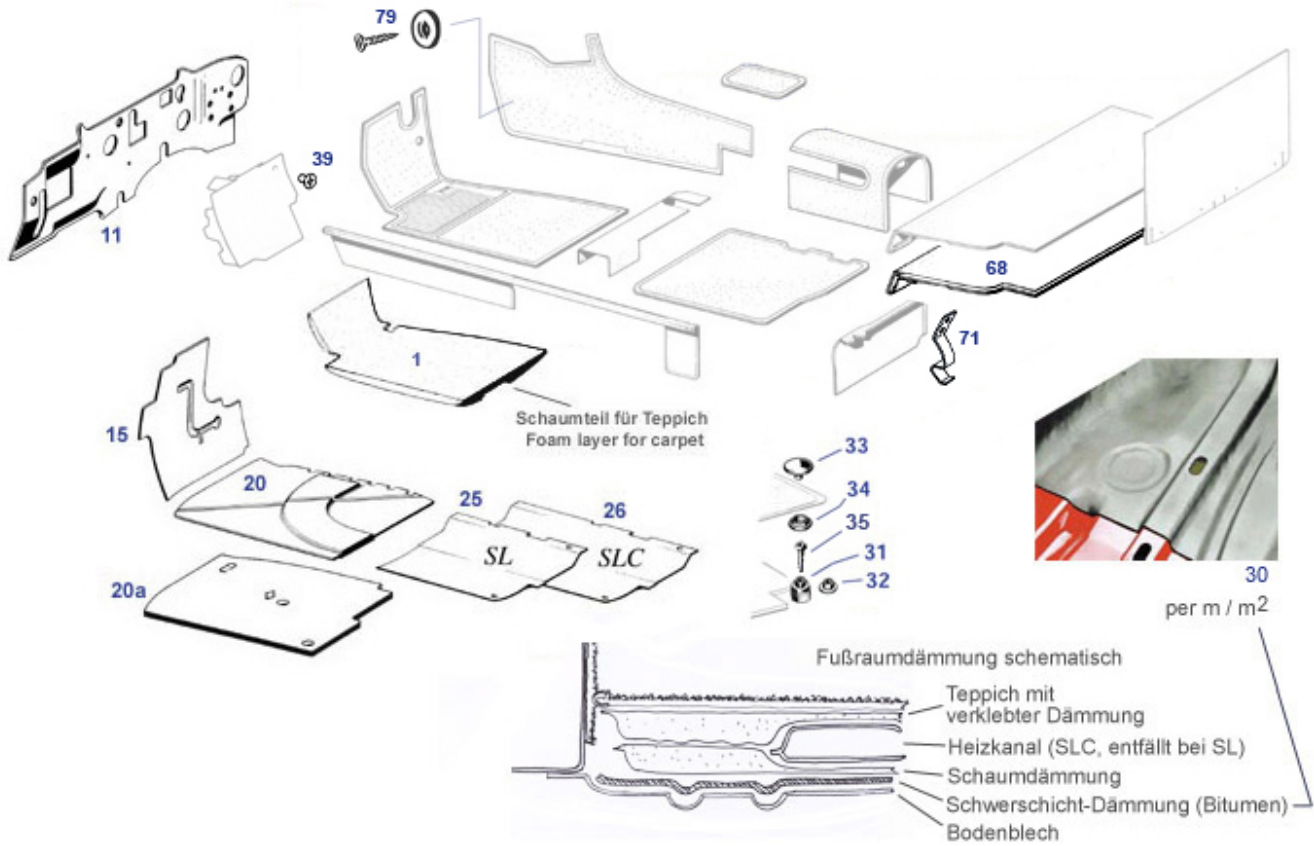
68.a Dashboard and wooden covers



	Ornamental ring, air jet @dashboard 107, .. rear shelf without carpet, instead of rear seats R107	<a href="#">783068</a>	6,00 €		Exchange in OE-quality: Dashboard	<a href="#">768801</a>	2.063,46 €
	mounting clip 3mm	<a href="#">798727</a>	0,54 €	27	Self-tapping screw with Phillips 4.2 X13 galvanized	<a href="#">990103</a>	0,07 €
28	A10768045098272 Console cover	<a href="#">768528</a>	160,00 €	46	Rubber surround, lever box ->85	<a href="#">727005</a>	6,05 €
46	Rubber ring   1967 -> 07..1979   A1156890097	<a href="#">268044</a>	4,61 €	46	Rest: escutcheon from '67, brass, chromed	<a href="#">268743</a>	14,99 €
58	Speaker, dashboard 107	<a href="#">768015</a>	46,89 €	46	escutcheon, fits steering lock from ca. 07.'79	<a href="#">768241</a>	41,00 €
59	Large sheet, speaker protection fabric 1400 x 700	<a href="#">268128</a>	45,22 €	59	Sheet metal screw countersunk head 2.9X13 galvanized	<a href="#">990106</a>	0,06 €
59	bracket for speaker cover	<a href="#">768987</a>	8,30 €	59	clamp for speaker cover	<a href="#">798723</a>	3,77 €
80	Burl wood trim set for US models 78 - 85	<a href="#">768122</a>	211,99 €	80	Burled wood trim set for US models 85-89	<a href="#">768123</a>	699,99 €
80	burl wood kit, late version	<a href="#">768819</a>	1.249,50 €	80	Zebrano wood trim set for US models 78 - 85	<a href="#">768121</a>	211,99 €
80	Zebrano wood trim set for EUR models 78 - 85	<a href="#">768113</a>	212,00 €	80	Burled wood trim set for EUR LHD models 78 - 85	<a href="#">768115</a>	212,00 €
80	LHD root wood set 10pcs. until model yearr 1981	<a href="#">768120</a>	649,99 €	80	10pcs wood set -> 1981 (LHD)	<a href="#">768119</a>	649,99 €
91LHD	Dashboard repr. cover blue LHD	<a href="#">768852</a>	249,90 €	91LHD	Dashboard repr. cover black LHD	<a href="#">768850</a>	205,00 €
91RHD	Dashboard repr. cover black RHD	<a href="#">768820</a>	199,00 €	91LHD	Dashboard repr. cover brown LHD	<a href="#">768851</a>	205,00 €
				93L	Plastic rivet	<a href="#">769034</a>	0,54 €

## 68.b Noise reduction passenger compartment

68.b Noise reduction passenger compartment



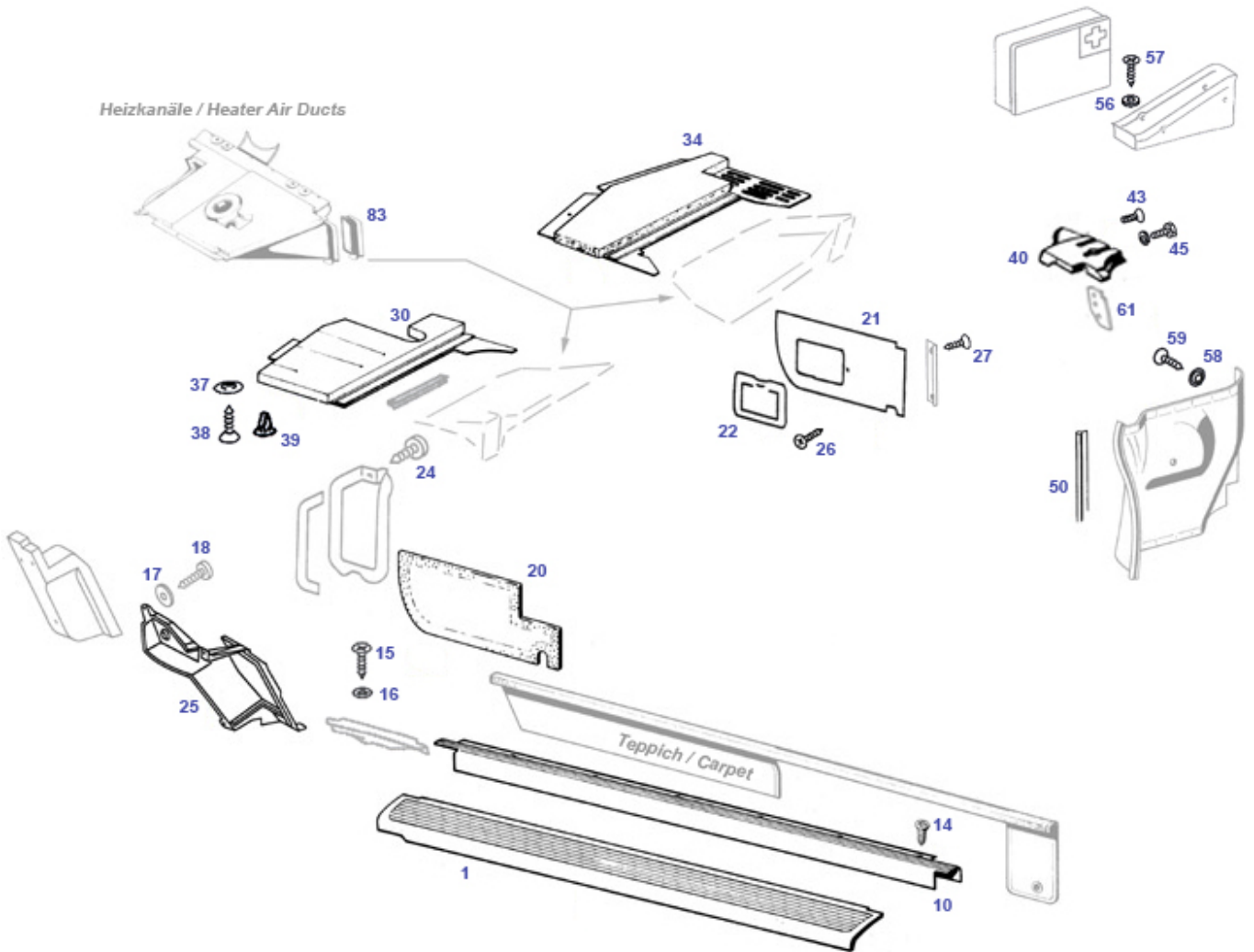
	insulating mat, selfadhesive, 10mm thickness, 120 X 60cm	<a href="#">768950</a>	16,90 €		Front LeftFoam (LHD / 1s tGen.)	<a href="#">768341</a>	125,00 €
	Set of holding clamps and rivets for rear floor wood	<a href="#">768140</a>	20,43 €		Softtop box insulation	<a href="#">768793</a>	19,04 €
	Foam rr LH, SLC (can be shortened)	<a href="#">768361</a>	23,68 €		Foam frt RH LHD, generation w. cat floors	<a href="#">768346</a>	125,00 €
	Foam frt LH LHD late gen	<a href="#">768345</a>	117,20 €		Foam frt RH LHD first gen	<a href="#">768342</a>	120,00 €
	Foam rr RH, SLC (can be shortened)	<a href="#">768362</a>	23,68 €		Foam pad set attach carpet LHD, RH & LH complete 4pcs	<a href="#">768254</a>	207,66 €
Adhesive	1sqm mat, Terodem SP300 self adhesive	<a href="#">968170</a>	75,45 €	Adhesive	Dämmung selbstklebend 2mm x 1,6qm	<a href="#">968171</a>	119,99 €
escutche on	Escutcheon fitting panelling screws diam 3,9	<a href="#">267014</a>	0,89 €	15	Set insulation mats inner firewall 107 LHD	<a href="#">768605</a>	176,12 €
15	collar plastic clips nut, covers+insulation	<a href="#">798159</a>	2,43 €	15	Pedal footwell ins. LHD rt., late	<a href="#">768223</a>	58,26 €
20a	Set 15-pcs adhesive floor inulation 107	<a href="#">768773</a>	528,88 €	20a	insulation heavy mat floor frt RH LHD	<a href="#">768694</a>	130,90 €
20a	insulation heavy mat floor frt LH LHD	<a href="#">768693</a>	160,00 €	20a	Set insulation mats floors and tunnel R107 LHD	<a href="#">768671</a>	634,98 €
20	Set 10-pcs adhesive floor inulation 107	<a href="#">768772</a>	399,99 €	31	knob, plastic base, carpet fixture	<a href="#">798006</a>	3,19 €
32	Ball to screw, part of snap	<a href="#">177003</a>	0,43 €	33	Cap part of snap	<a href="#">177005</a>	1,79 €
34	Spring eye part of snap	<a href="#">177006</a>	0,39 €	35	pan head tapping screw w. Phillips cross and flat end 3,5X25	<a href="#">798806</a>	0,30 €
68	rear shelf without carpet, instead of rear seats R107	<a href="#">768535</a>	122,55 €	71	holding clamp rear floor wood	<a href="#">768039</a>	8,45 €
71	rivet for spring mounting	<a href="#">768139</a>	1,10 €	79	Panelling screw	<a href="#">268108</a>	0,44 €

68.c, 69 Covers door step / rocker panel

68.c, 69 Covers door step / rocker panel



Heizkanäle / Heater Air Ducts

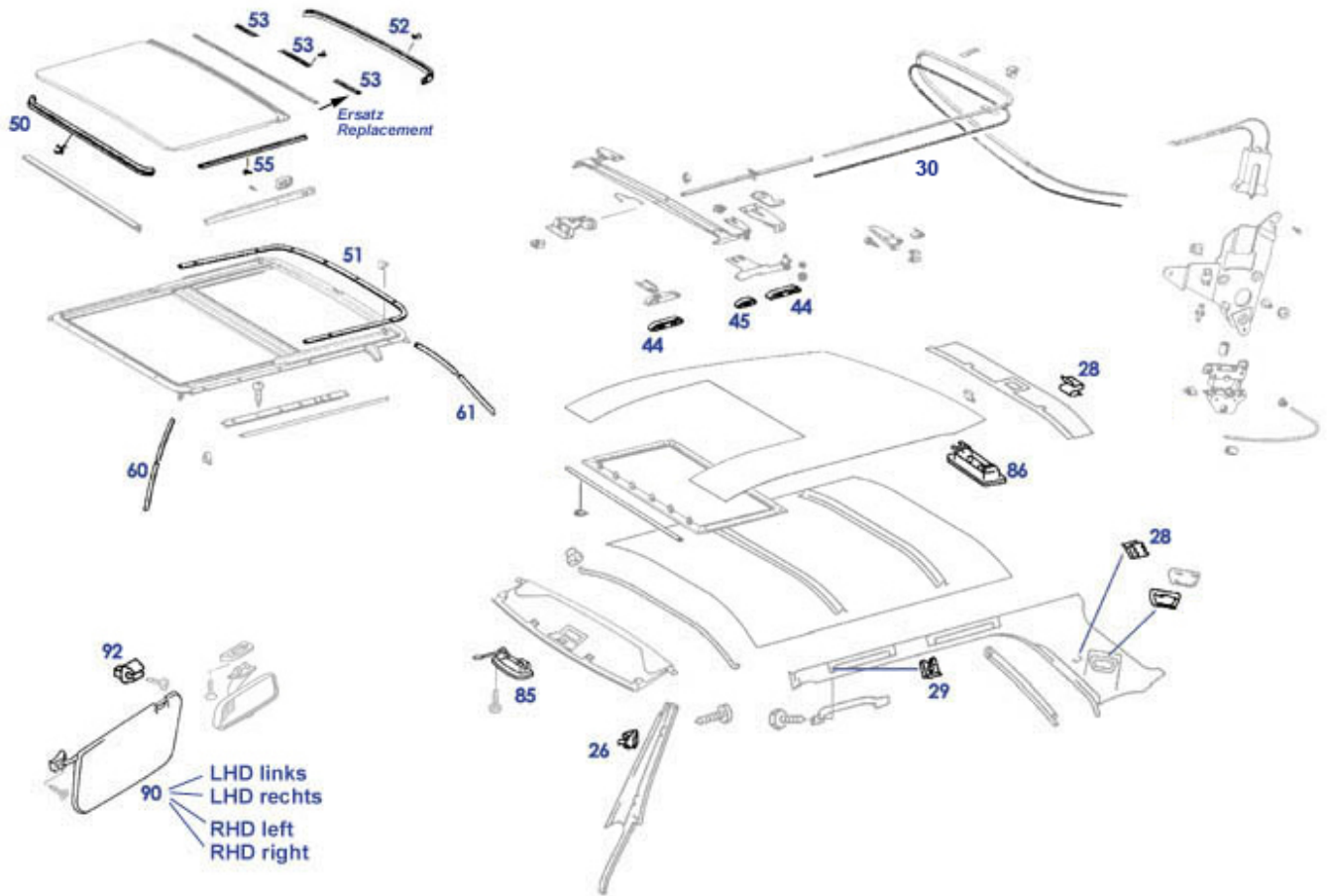


	Sheet metal screw countersunk head 2,9X9,5 galvanized sheet angle stainless steel, fits R+L	<a href="#">990105</a>	0,15 €		Flat headed screw M4x7 chrome	<a href="#">269243</a>	0,19 €
	damaged: garnish rail 768160, dent@frt section	<a href="#">B768160</a>	24,99 €		Set of holding clamps and rivets for rear floor wood	<a href="#">768140</a>	20,43 €
	complete screw set, chrome plated, C107, all SLC models	<a href="#">799335</a>	296,44 €		Metal Clip, covers,	<a href="#">268676</a>	1,79 €
	complete screw set, chrome plated, R107, '72-'85	<a href="#">799333</a>	290,11 €		complete screw set, chrome plated, R107, '85-	<a href="#">799334</a>	271,86 €
1	Rubbermat sill nougat, pair ( left+ right)	<a href="#">768023</a>	116,97 €	1	Plastic-clip universal/VW, may replace SLS 268726	<a href="#">968275</a>	0,60 €
1	Rubbermat sill red, pair ( left+ right)	<a href="#">768024</a>	109,99 €	1	Rubbermat sill brasil pair ( left+ right)	<a href="#">768026</a>	124,95 €
1	Rubbermat sill caramel, pair ( left+ right)	<a href="#">768022</a>	99,95 €	1	Rubbermat sill anthrazit, pair ( left+ right)	<a href="#">768830</a>	59,90 €
1	Rubbermat sill anthrazit, pair ( left+ right)	<a href="#">768730</a>	83,75 €	1	Rubbermat sill creme, pair ( left+ right)	<a href="#">768021</a>	99,95 €
1	Rubbermat sill anthrazit, pair ( left+ right)	<a href="#">768025</a>	99,95 €	1	Rubbermat sill grey, pair ( left+ right)	<a href="#">768735</a>	86,28 €
1	Rubbermat sill grey, pair ( left+ right)	<a href="#">768019</a>	109,99 €	1	Rubbermat sill dark green, pair ( left+ right)	<a href="#">768020</a>	99,95 €
1	Rubbermat sill dark blue, pair ( left+ right)	<a href="#">768017</a>	109,99 €	10	Rubbermat sill grey beige, pair ( left+ right)	<a href="#">768018</a>	99,95 €
10	Covering rocker panel SL LH, Repro	<a href="#">768150</a>	43,33 €	14	Covering rocker panel SL RH, Repro	<a href="#">768160</a>	43,33 €
14	Counter sunk screw 4,2x13, chrome plated	<a href="#">799832</a>	1,45 €	15	Senkschraube LiKo VA, 4,2 x 16	<a href="#">999932</a>	0,56 €
16	countersunk washer / screw escutcheon	<a href="#">373113</a>	0,70 €	17	Counter sunk screw 4,2x14, industrial chromed	<a href="#">799932</a>	0,58 €
					Washer, entry trim strip,fr.	<a href="#">268132</a>	0,18 €

18	Screw 3,9 x 19 e.g. Bonnet-rubber	<a href="#">788609</a>	0,32 €	20	1 pair black covers foot well side wall	<a href="#">768770</a>	66,99 €
20	1 pair raw covers foot well side wall	<a href="#">768760</a>	37,49 €	22	cover fuse box dark blue	<a href="#">768455</a>	13,73 €
22	cover fuse box color see photo (8326)	<a href="#">768452</a>	13,73 €	22	fuse box cover dark red	<a href="#">768462</a>	13,73 €
22	cover fuse box brasil	<a href="#">768451</a>	13,73 €	22	cover fuse box black	<a href="#">768450</a>	13,73 €
22	cover fuse box grey	<a href="#">768457</a>	13,73 €	22	cover fuse box color see photo (8412)	<a href="#">768459</a>	13,73 €
22	fuse box cover color see photo	<a href="#">768464</a>	13,73 €	22	fuse box cover green	<a href="#">768463</a>	13,73 €
22	fuse box cover, color see photo (1655)	<a href="#">768461</a>	13,73 €	25	LHD foot rest, reproduction	<a href="#">768859</a>	99,95 €
26	Screw	<a href="#">799931</a>	0,24 €	27	Ctr sunk screw @ 272033/044/300/400	<a href="#">272034</a>	1,44 €
30	insulating mat, selfadhesive, 10mm thickness, 120 X 60cm	<a href="#">768950</a>	16,90 €	30	Covering LH, LHD/man, upper footcomp.	<a href="#">768751</a>	142,80 €
30	Cover board above pedals LH LHD Autm	<a href="#">768753</a>	57,98 €	34	Cover board RH LHD (not heater channel)	<a href="#">768768</a>	57,98 €
34	Verkl.unter Armat-brett re.RHD	<a href="#">768784</a>	92,25 €	34	Verkl.unter Armat-brett in.RHD Schalter	<a href="#">768788</a>	92,25 €
37	countersunk washer	<a href="#">999041</a>	3,95 €	38	Self-tapping screw 4.2 x 32 galvanized, countersunk lens head	<a href="#">999984</a>	0,15 €
40	Chrome cover R107 ->8.81, B-pillar RH	<a href="#">769240</a>	275,00 €	40	Chrome cap B-pillar left, from 08.1981	<a href="#">769830</a>	298,99 €
40	Chrome cover R107 ->8.81 B-pillar LH	<a href="#">769230</a>	275,00 €	40	Chrome cap B-pillar RH from 08.1981	<a href="#">769840</a>	298,99 €
40	Gkt., R107 B-pillar upper Lt	<a href="#">772106</a>	29,99 €	40	Seal R107 B-pillar top left Repro	<a href="#">772816</a>	20,59 €
40	Top right B-Pillar Seal R107	<a href="#">772826</a>	18,99 €	40	Gkt., R107 B-pillar upper Rt.	<a href="#">772206</a>	29,99 €
45	bolt M6x12, hot-dipped, skirt	<a href="#">799945</a>	1,02 €	56	escutcheon e.g. screw 277052, ..	<a href="#">277053</a>	3,02 €
57	Counter sunk screw 3,9 Phillips	<a href="#">281139</a>	0,26 €	58	countersunk washer fits e.g. screws 2,9	<a href="#">199021</a>	0,51 €
59	screw countersunk PH 2,9x13 stainless	<a href="#">769179</a>	0,24 €	61	Screw M6 e.g. Bonnet hinges	<a href="#">299289</a>	0,38 €
61	Spring washer, fits M6	<a href="#">181028</a>	0,18 €	80	Interior light without bulb, version 77	<a href="#">782829</a>	5,83 €
80	Bulb 12V / 10W, torpedo, total length 44	<a href="#">299094</a>	0,51 €	83	Rubberseal A-pillar LH, door air duct	<a href="#">783803</a>	18,08 €

## 68.d, 81, 78 SLC inner roof attachments and covering

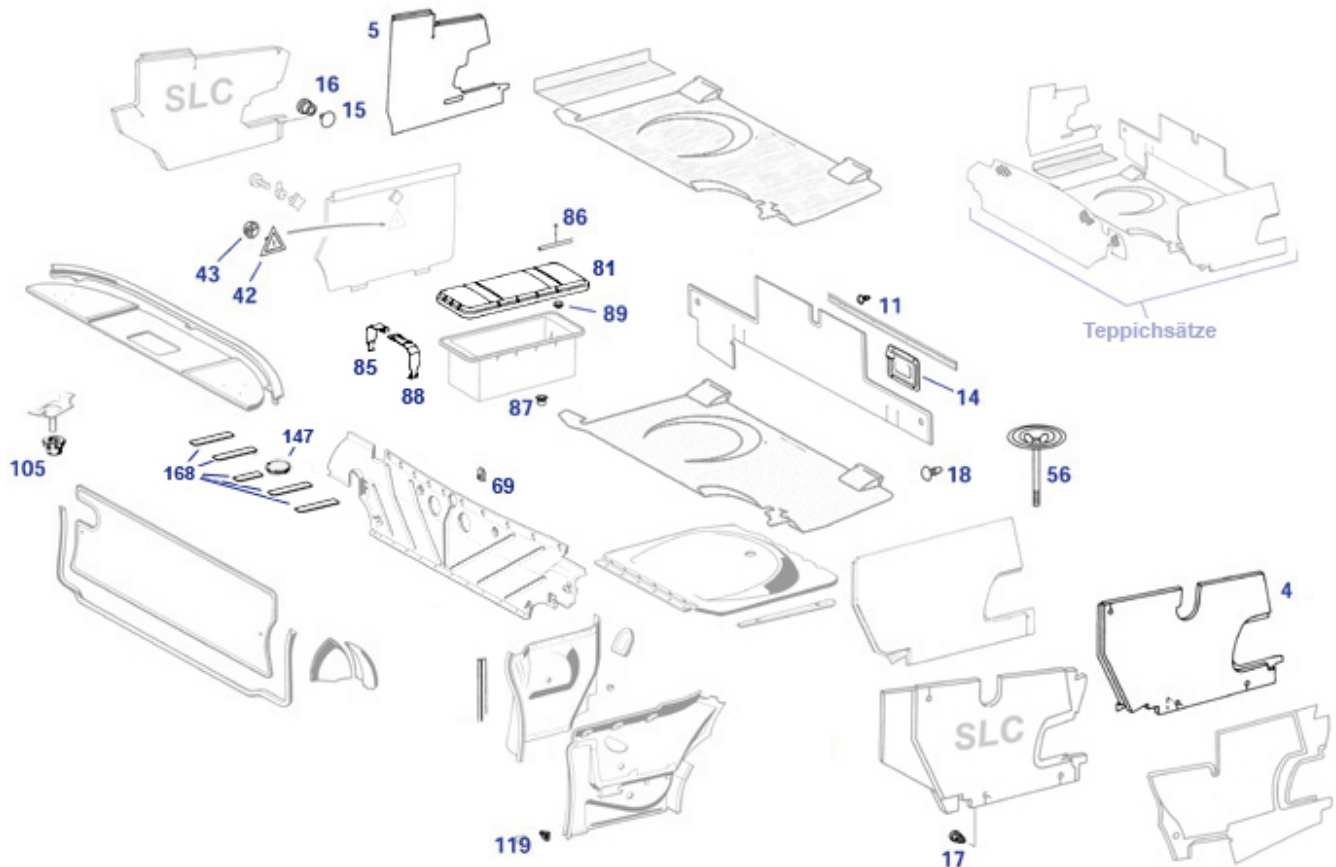
68.d, 81, 78 SLC inner roof attachments and covering



	Clip, w/s dec. trim strips	<a href="#">767846</a>	1,19 €	15	Foam sheet per square mtr, D=5mm	<a href="#">368037</a>	8,65 €
29	Spire nut for handle	<a href="#">798739</a>	0,45 €	30	Sunroof cable 107SLC	<a href="#">778031</a>	199,80 €
45	Slider, s'shine roof, middle	<a href="#">778975</a>	40,45 €	55	Niete z.B. ESSD-Anschlag	<a href="#">798168</a>	0,39 €

## 68.e, 69 Trunk covers and noise reduction

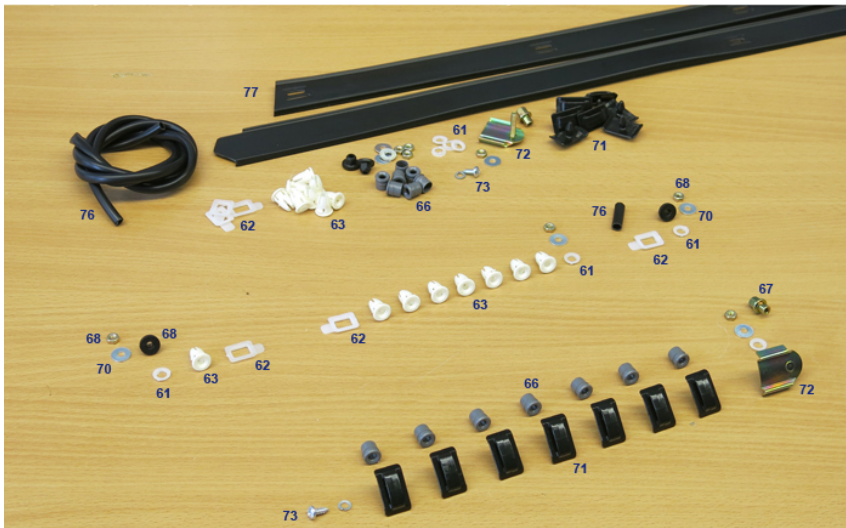
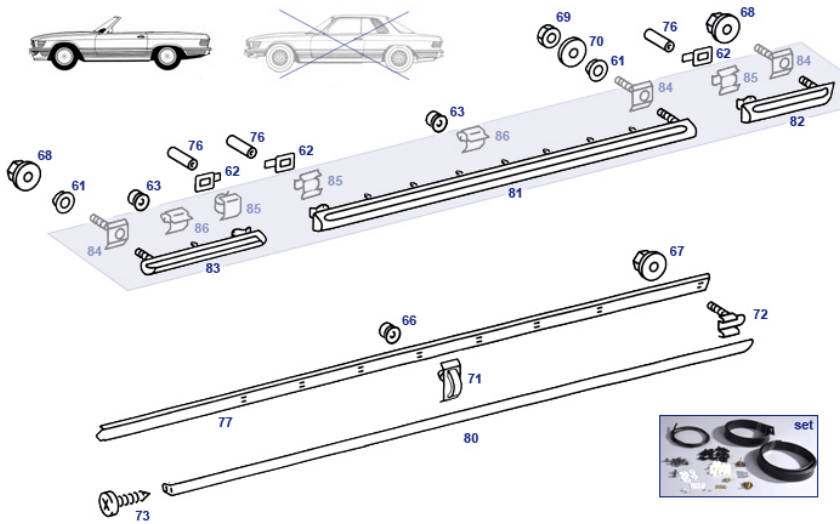
68.e, 69 Trunk covers and noise reduction



speaker	rr speaker SLC	<a href="#">768016</a>	51,97 €		Plastic-clip universal/VW, may replace SLS 268726	<a href="#">968275</a>	0,60 €
4	Cover boot LH, black paper ->'75	<a href="#">768611</a>	74,71 €	5	Boot covering RH(blck card style,->'76)	<a href="#">768612</a>	56,03 €
11	screw countersunk PH 2,9x13 stainless	<a href="#">769179</a>	0,24 €	14	Tapping screw Phillips 4,2x9,5	<a href="#">799936</a>	0,15 €
14	cover, rear panel, inner	<a href="#">269033</a>	43,61 €	15	Cap part of snap	<a href="#">177005</a>	1,79 €
15	Rivet part of snap	<a href="#">177004</a>	0,27 €	16	Ball to screw, part of snap	<a href="#">177003</a>	0,43 €
16	Spring eye part of snap	<a href="#">177006</a>	0,39 €	17	Metal Clip, covers,	<a href="#">268676</a>	1,79 €
32	nut M6 w. flange, zinc plated	<a href="#">799913</a>	0,37 €	43	Clip, 230-280SL	<a href="#">281026</a>	1,18 €
56	Spare Tire Fixing Mount (3rd Gen.)	<a href="#">740015</a>	40,39 €	60	nut, coverings, fits M6 bolts	<a href="#">799097</a>	1,26 €
80	Box for optional equipment "battery in trunk"	<a href="#">754080</a>	124,95 €	81	battery box cover for optional equipment trunk mounted	<a href="#">754081</a>	55,16 €
85	metal strip right part for batterie mounting	<a href="#">784641</a>	26,07 €	86	1m round profile	<a href="#">799696</a>	1,31 €
87	Grommet,multihole 27mm	<a href="#">798777</a>	2,59 €	88	metal strip left part for batt. mounting	<a href="#">784640</a>	55,55 €
89	Rubber grommet 11/30, blue silicon rubber	<a href="#">299517</a>	1,59 €	89	battery terminal screw M8 X28	<a href="#">554010</a>	0,62 €
89	Rubber grommet 11/30, bulkh(190),107,..	<a href="#">299017</a>	1,59 €	89	Rubber grommt 10/42, starter/generator wire	<a href="#">199014</a>	2,75 €
105	Fastener for window frame	<a href="#">267105</a>	1,25 €	119	Clip, eg door covering	<a href="#">772229</a>	1,23 €
119	Clip on door trim (16x veh.)	<a href="#">772228</a>	0,48 €	147	round cover above fuel sender,Repro	<a href="#">247814</a>	5,20 €

## 69-72.c side wall garnish trims and mounting bits

69-72.c side wall garnish trims and mounting bits

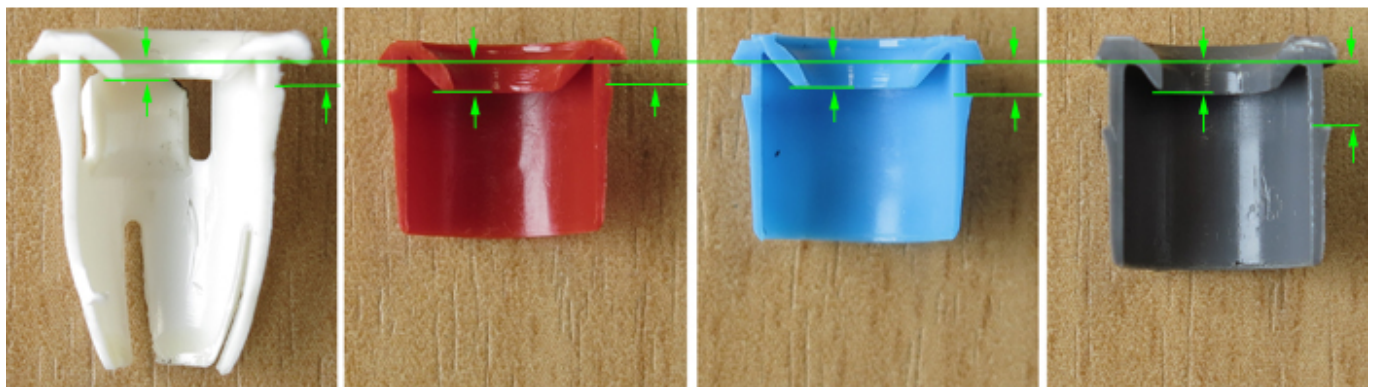


	decor. trim SL/C rear wing right	<a href="#">769621</a>	57,36 €				
	decor. trim SLC rear wing left	<a href="#">769611</a>	57,36 €				
	Underlay, dec. strip, SLC Rt	<a href="#">769764</a>	19,84 €	61		Underlay, dec. strip, SLC Lt	<a href="#">769754</a> 19,84 €
62	Slot protection, trim mounts	<a href="#">772856</a>	0,23 €			set 6 pcs SL R107 Complete Side Moulding	<a href="#">772309</a> 285,59 €
63	Adaptor shape, if genuine plug no success	<a href="#">772783</a>	0,25 €			Escutcheon, protection, trim mounts	<a href="#">772807</a> 0,23 €
67	Special Nut	<a href="#">769158</a>	5,15 €		63	Bushing for clip, white	<a href="#">772005</a> 0,48 €
68	Plastic nut M4	<a href="#">769156</a>	0,54 €		66	Plug, trim fitment, grey	<a href="#">772082</a> 1,02 €
71	Insertion clip, dec. strip	<a href="#">772006</a>	0,60 €		67	Hex Nut, M4	<a href="#">799919</a> 0,20 €
73	Screw	<a href="#">799931</a>	0,24 €		70	Washer, entry trim strip,fr.	<a href="#">268132</a> 0,18 €
77	Underlay, dec. strip, SL, Lt	<a href="#">769753</a>	17,16 €		72	Screw clip for dec.strip	<a href="#">769155</a> 6,88 €
80	Dec. strip R107, under door, left side	<a href="#">769050</a>	219,50 €		76	rubber hose, protection, 1m	<a href="#">799909</a> 1,00 €
81	decor. trim R/C 107 door left, repro.	<a href="#">772650</a>	92,39 €	81	Underlay, dec. strip, SL, Rt	<a href="#">769763</a> 17,16 €	
82	decor. trim rear wing left, repro.	<a href="#">769610</a>	35,95 €	80	Dec.strip R107, under door, right side	<a href="#">769060</a> 219,50 €	
83	Decor. trim,R/C107,left frontwing	<a href="#">769670</a>	50,22 €	82	Right Decor Ttrim R/C 107	<a href="#">772660</a> 92,39 €	
85	Clip, part of trims (1 each trim)	<a href="#">772002</a>	0,42 €	83	decor. trim rear wing right	<a href="#">769620</a> 35,95 €	
				86	Decor. trim, R/C107, frontwing right	<a href="#">769680</a> 50,22 €	
					Clip	<a href="#">772003</a> 0,17 €	

## 69-72.b Info clips and plugs garnish trim mounting

69-72.b Info clips and plugs garnish trim mounting





geringe Rasttiefe und für dünnwandige beplankung

große Rasttiefe und für dünnwandige Beplankung

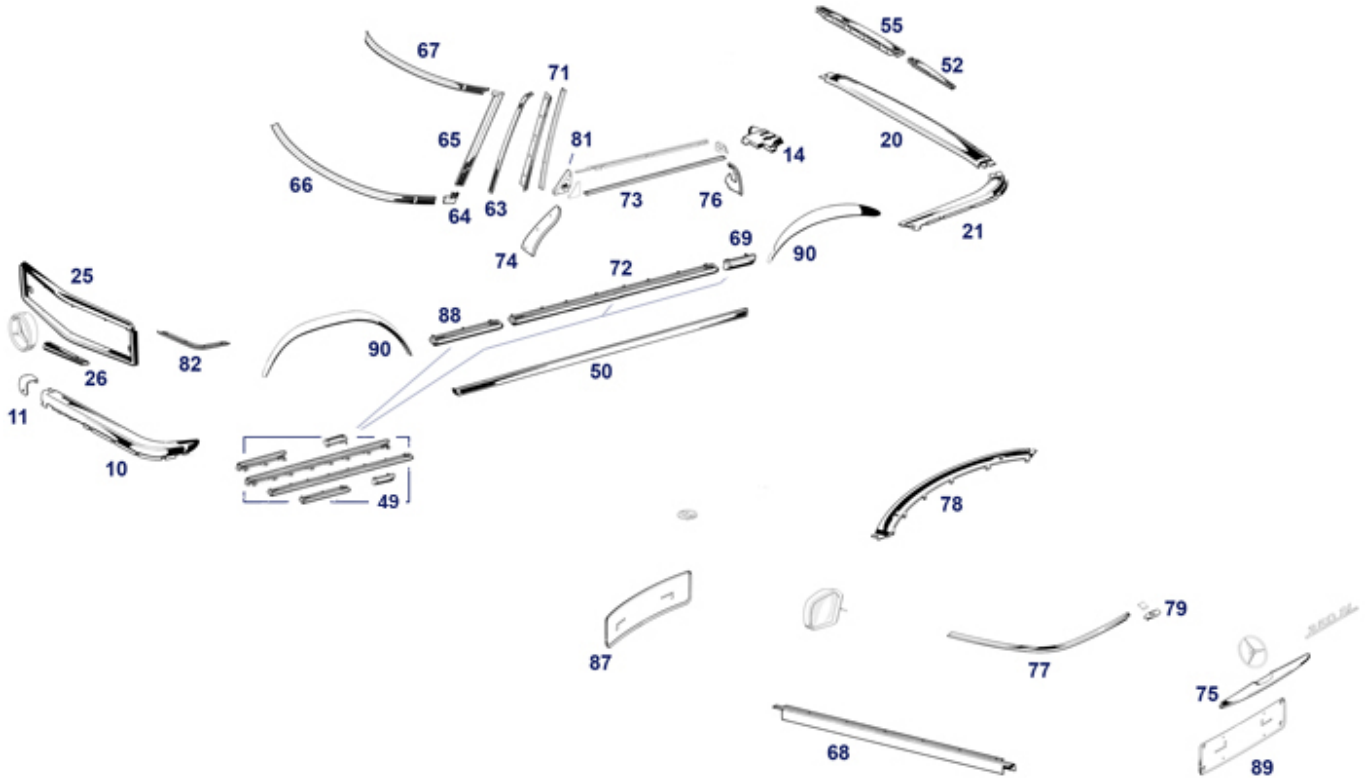
große Rasttiefe und für mittelstarke Beplankung

große Rasttiefe und für große Wandstärke

alternativ Adaptor shape, if genuine plug no <a href="#">772783</a>	0,25 €	772005	Bushing for clip, white	<a href="#">772005</a>	0,48 €
success					
772055 Clip, dec. strip, SLC	<a href="#">772055</a>	0,69 €	772082 Plug, trim fitment, grey	<a href="#">772082</a>	1,02 €

## 69, 88 Deco- and Chrome Attachments

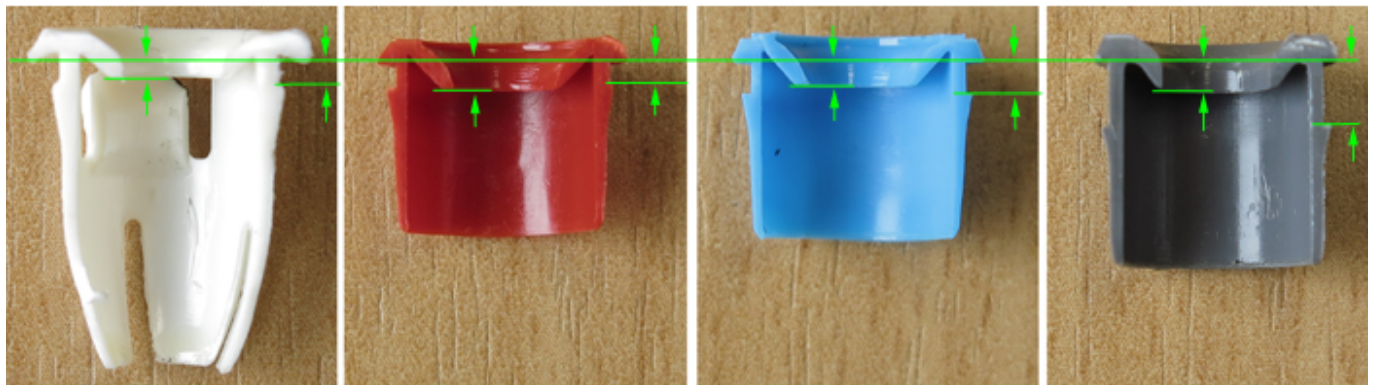
### 69 Summary Deco- and Chrome Attachments, SL-Body



	Clip Windscreen trims   A1079881578	<a href="#">767046</a>	1,39 €		Rubber buffer on radiator grille frame	<a href="#">788209</a>	5,99 €
10	Pair L+R Chrome shells frt (L+R), Repro	<a href="#">788801</a>	821,10 €	11	chrome bumper joint, fits front & rear	<a href="#">788910</a>	109,00 €
14	Chrome cap B-pillar left, from 08.1981	<a href="#">769830</a>	298,99 €	14	Chrome cap B-pillar RH from 08.1981	<a href="#">769840</a>	298,99 €
14	Chrome cover R107 ->8.81 B-pillar LH	<a href="#">769230</a>	275,00 €	14	Chrome cover R107 ->8.81, B-pillar RH	<a href="#">769240</a>	275,00 €
20	Set Chrome shells rr (L+C+R), Repro	<a href="#">788802</a>	920,47 €	25	Rubber ring, wiper motor	<a href="#">282407</a>	0,77 €
25	Rad. grille frame,R/C107, repro. Q-deficite	<a href="#">788203</a>	249,90 €	26	Pair of trims, repro, quality problems	<a href="#">B788836</a>	141,61 €
26	Pair of trims, repro	<a href="#">788836</a>	199,00 €	49	set 6 pcs SL R107 Complete Side Moulding	<a href="#">772309</a>	285,59 €
50	Underlay, dec. strip, SL, Lt	<a href="#">769753</a>	17,16 €	50	Dec.strip R107, under door, right side	<a href="#">769060</a>	219,50 €
50	Underlay, dec. strip, SL, Rt	<a href="#">769763</a>	17,16 €	50	Dec. strip R107, under door, left side	<a href="#">769050</a>	219,50 €
55	Bolt M5	<a href="#">769859</a>	0,70 €	55	underlay rubber for decor. trim middle	<a href="#">769055</a>	44,99 €
66	Rivet, rear window drip strips	<a href="#">270691</a>	0,20 €	66	Clip, w/s dec. trim strips	<a href="#">767846</a>	1,19 €
67	Clip, dec. strip, upper windscreen	<a href="#">798735</a>	0,20 €	68	Counter sunk screw 4,2x14, industrial chromed	<a href="#">799932</a>	0,58 €
68	Covering rocker panel SL LH, Repro	<a href="#">768150</a>	43,33 €	68	Covering rocker panel SL RH, Repro	<a href="#">768160</a>	43,33 €
68	Senkschraube LiKo VA, 4,2 x 16	<a href="#">999932</a>	0,56 €	69	decor. trim rear wing right	<a href="#">769620</a>	35,95 €
69	decor. trim rear wing left, repro.	<a href="#">769610</a>	35,95 €	71	panelling screw, phillips, chromed	<a href="#">268133</a>	1,32 €
71	countersunk head tapping screw	<a href="#">272723</a>	0,13 €	72	Right Decor Ttrim R/C 107	<a href="#">772660</a>	92,39 €
72	3,5X13, sealing rail 230SL			73	Underlay, dec. strip door upper (paint prot), up to 12.'82	<a href="#">772607</a>	3,09 €
72	decor. trim R/C 107 door left, repro.	<a href="#">772650</a>	92,39 €	75	Boot lid handle R/C107, Repro	<a href="#">775710</a>	130,90 €
74	Screw, countersunk, 3,5 door-chr.	<a href="#">799927</a>	1,14 €	75b	Grommet for Mercedes Star at boot lid   1985 ->	<a href="#">798756</a>	0,50 €
75	Screw, M4 Phillips, e.g boot handle	<a href="#">775899</a>	0,19 €				

76	complete screw set, chrome plated, <a href="#">799334</a>	271,86 €	76	complete screw set, chrome plated, <a href="#">799335</a>	296,44 €
	R107, '85-			C107, all SLC models	
76	complete screw set, chrome plated, <a href="#">799333</a>	290,11 €	78	Screw <a href="#">799931</a>	0,24 €
	R107, '72-'85				
79	underlay, escution <a href="#">775113</a>	0,73 €	79	Esc. on lock, s. top c.lid <a href="#">775112</a>	84,89 €
81	Inner cover plate, mirror RT, early, <a href="#">781044</a>	8,33 €	81	Inner cover plate, mirror LT, early, <a href="#">781034</a>	8,33 €
	Repro			Repro	
81	A1077200311 Cover,RHD Lt. <a href="#">781554</a>	10,61 €	81	Cover,LHD Rt. electric mirrow <a href="#">781064</a>	15,20 €
	electric mirr				
82	Trim above headlamp @ LH wing, <a href="#">788819</a>	44,24 €	82	Trim above headlamp @ RH wing, <a href="#">788818</a>	44,24 €
	Repro			Repro	
87	Bolt slot head M5 x 16 A4, e.g.Lic- <a href="#">988999</a>	0,83 €	87	Licence plate underlay, stainless <a href="#">988788</a>	29,75 €
	plat			steel, inner width 46cm	
87	Licence plate underlay, fr./rear, s- <a href="#">588088</a>	11,90 €	87	universal lic-plate underlay <a href="#">988088</a>	41,06 €
	steel polished, fits 520mm			520x110, stainless steel	
88	Decor. trim,R/C107,left frontwing <a href="#">769670</a>	50,22 €	88	Decor. trim, R/C107, frontwing right <a href="#">769680</a>	50,22 €
89	M5 chrome bolt PH, e.g. licence <a href="#">988998</a>	2,20 €	89	M5 riveted nut eg lic-plate <a href="#">764099</a>	0,64 €
	plates				

### 69-72.b Info clips and plugs garnish trim mounting



geringe Rasttiefe und für dünnwandige Beplankung

große Rasttiefe und für dünnwandige Beplankung

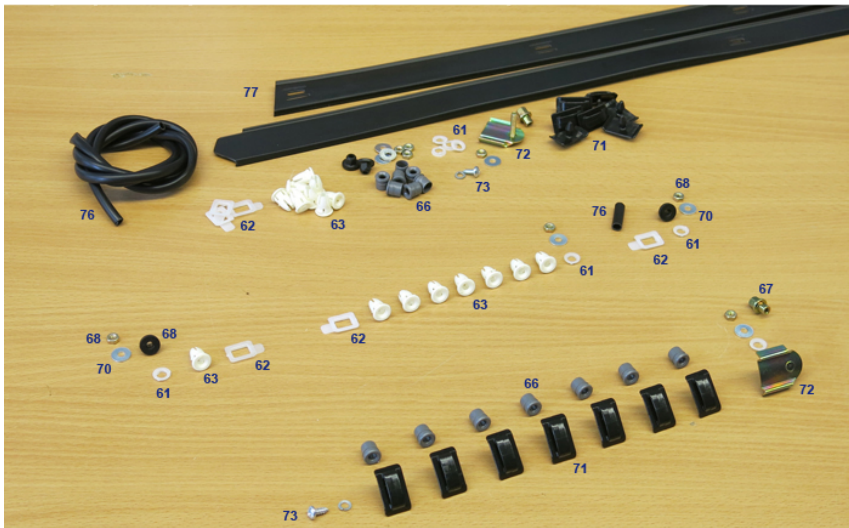
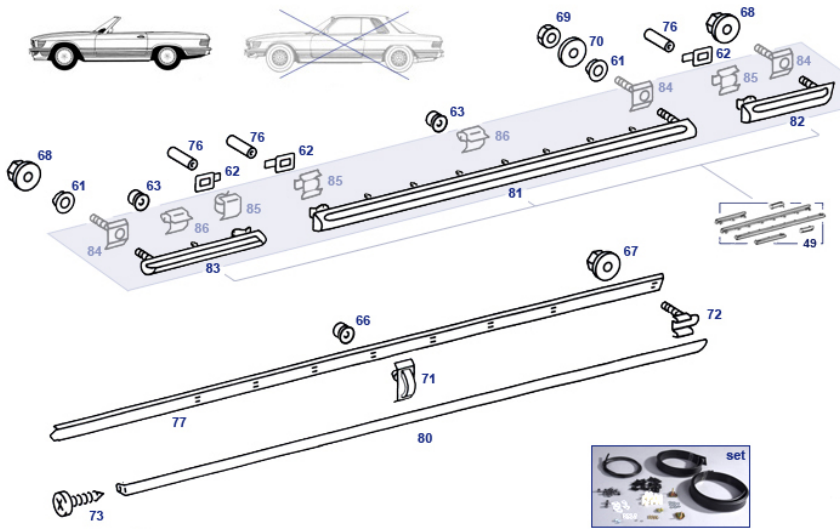
große Rasttiefe und für mittelstarke Beplankung

große Rasttiefe und für große Wandstärke

772005	Bushing for clip, white <a href="#">772005</a>	0,48 €	772055	Clip, dec. strip, SLC <a href="#">772055</a>	0,69 €
772082	Plug, trim fitment, grey <a href="#">772082</a>	1,02 €	772083	Trim plug, red <a href="#">772083</a>	0,24 €

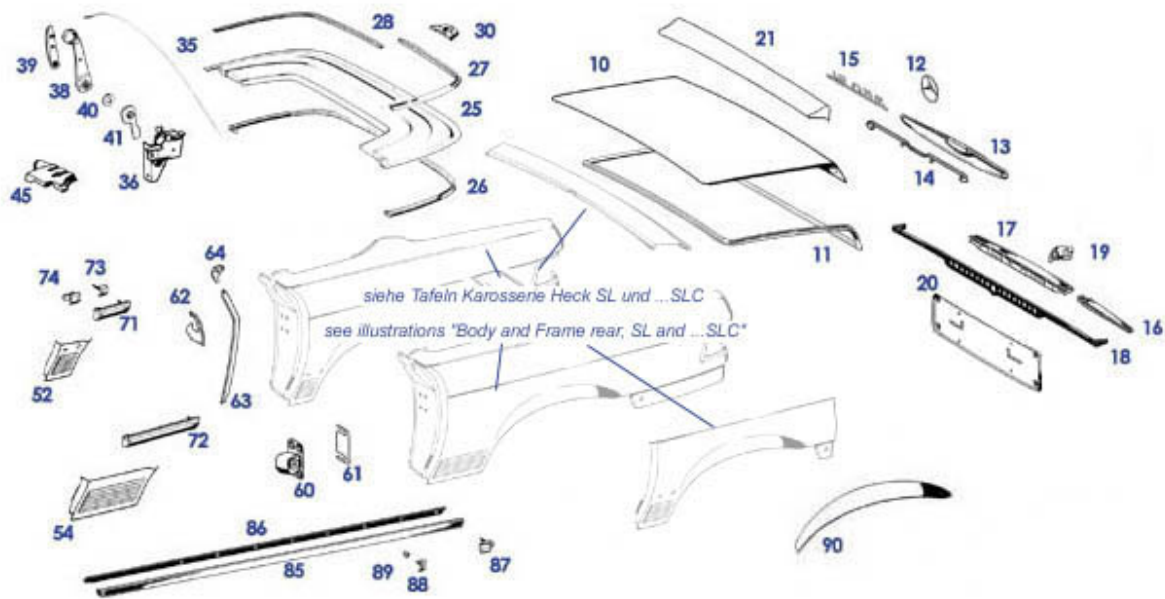
### 69-72.c side wall garnish trims and mounting bits





	decor. trim SL/C rear wing right	<a href="#">769621</a>	57,36 €		Underlay, dec. strip, SLC Lt	<a href="#">769754</a>	19,84 €
	decor. trim SLC rear wing left	<a href="#">769611</a>	57,36 €		Underlay, dec. strip, SLC Rt	<a href="#">769764</a>	19,84 €
49	set 6 pcs SL R107 Complete Side Moulding	<a href="#">772309</a>	285,59 €	61	Escutcheon, protection, trim mounts	<a href="#">772807</a>	0,23 €
62	Slot protection, trim mounts	<a href="#">772856</a>	0,23 €	63	Bushing for clip, white	<a href="#">772005</a>	0,48 €
63	Adaptor shape, if genuine plug no success	<a href="#">772783</a>	0,25 €	66	Plug, trim fitment, grey	<a href="#">772082</a>	1,02 €
67	Special Nut	<a href="#">769158</a>	5,15 €	67	Plastic nut M4	<a href="#">769156</a>	0,54 €
67	Hex Nut, M4	<a href="#">799919</a>	0,20 €	70	Washer, entry trim strip,fr.	<a href="#">268132</a>	0,18 €
71	Insertion clip, dec. strip	<a href="#">772006</a>	0,60 €	72	Screw clip for dec.strip	<a href="#">769155</a>	6,88 €
73	Screw	<a href="#">799931</a>	0,24 €	76	rubber hose, protection, 1m	<a href="#">799909</a>	1,00 €
77	Underlay, dec. strip, SL, Lt	<a href="#">769753</a>	17,16 €	77	Underlay, dec. strip, SL, Rt	<a href="#">769763</a>	17,16 €
80	Dec. strip R107, under door, left side	<a href="#">769050</a>	219,50 €	80	Dec.strip R107, under door, right side	<a href="#">769060</a>	219,50 €
81	decor. trim R/C 107 door left, repro.	<a href="#">772650</a>	92,39 €	81	Right Decor Ttrim R/C 107	<a href="#">772660</a>	92,39 €
82	decor. trim rear wing left, repro.	<a href="#">769610</a>	35,95 €	82	decor. trim rear wing right	<a href="#">769620</a>	35,95 €
83	Decor. trim,R/C107,left frontwing	<a href="#">769670</a>	50,22 €	83	Decor. trim, R/C107, frontwing right	<a href="#">769680</a>	50,22 €
85	Clip, part of trims (1 each trim)	<a href="#">772002</a>	0,42 €	86	Clip	<a href="#">772003</a>	0,17 €

## 75, 69, .. Rear Body Attachment Parts



	Rest: Underlay, dec. strip, SLC, RH <a href="#">769064</a>	41,67 €		Bolt A2 M5X12, frt grille mouldings, <a href="#">788207</a>	0,74 €
	Adaptor shape, if genuine plug no success <a href="#">772783</a>	0,25 €		M5 chrome bolt PH, e.g. licence plates <a href="#">988998</a>	2,20 €
10	Rest: Underlay, dec. strip, SLC, Bulb 12V / 10W, torpedo, total length 44 <a href="#">769054</a> <a href="#">299094</a>	41,67 € 0,51 €	10	Torsion spring set, boot- + s.t <a href="#">777229</a>	109,00 €
10	Lamp holder trunk w/o switch <a href="#">782822</a>	70,00 €	10	shim 1mm, catch underlay, height adjustment <a href="#">375039</a>	8,01 €
11	Boot seal 280-500SLC orig. <a href="#">775025</a>	218,00 €	11	el.switch, glovebox, bonnet... <a href="#">782885</a>	3,26 €
11	Boot seal, 280-500SL (not SLC) <a href="#">775820</a>	61,50 €	11	Boot seal, 280-500SL (not SLC), most genuine Q <a href="#">775020</a>	129,70 €
13	Screw, M4 Phillips, e.g boot handle <a href="#">775899</a>	0,19 €	12	Grommet for Mercedes Star at boot lid   1985 -> <a href="#">798756</a>	0,50 €
14	Underlay, boot handle 107 <a href="#">775811</a>	8,51 €	13	Boot lid handle R/C107, Repro <a href="#">775710</a>	130,90 €
18	underlay rubber for decor. trim middle <a href="#">769055</a>	44,99 €	16	Bolt M5 <a href="#">769859</a>	0,70 €
19	Buffer, trunk lid catch, fits casted bod <a href="#">775138</a>	3,00 €	18	screw countersunk PH 2,9x13 stainless <a href="#">769179</a>	0,24 €
19	Bootlock, key no car belong, knobdiam 19.8 <a href="#">775838</a>	460,11 €	19	Early Bootlock (up to 1980, without ctrl.lock syst) <a href="#">775030</a>	474,99 €
20	universal lic-plate underlay 520x110, stainless steel <a href="#">988088</a>	41,06 €	20	Bolt slot head M5 x 16 A4, e.g. Licence plate <a href="#">988999</a>	0,83 €
20	M5 riveted nut eg lic-plate <a href="#">764099</a>	0,64 €	20	Licence plate underlay, stainless steel, inner width 46cm <a href="#">988788</a>	29,75 €
20	rbr buffer, rr lic plate, ... ref 1089870540 <a href="#">898044</a>	7,90 €	20	Licence plate underlay, fr./rear, s-steel polished, fits 520mm <a href="#">588088</a>	11,90 €
21	rubber washer fits M6 <a href="#">299081</a>	1,19 €	21	Spoiler, boot lid, R/C107 <a href="#">779320</a>	799,00 €
26	Seal Box cover repro <a href="#">775860</a>	66,20 €	25	foam cube self adhesive <a href="#">775111</a>	1,61 €
30	underlay, escution <a href="#">775113</a>	0,73 €	26	Seal, soft top compt. lid <a href="#">775060</a>	164,99 €
30	Rubber washer, rear compt. <a href="#">299036</a>	0,26 €	30	Esc. on lock, s. top c.lid <a href="#">775112</a>	84,89 €
30	Washer for 299034 <a href="#">299038</a>	0,12 €	30	Nut <a href="#">299035</a>	0,17 €
38	Set 3-pcs crank+lever+cushion, Repro <a href="#">777825</a>	138,87 €	35	wire softtop compt. <a href="#">775859</a>	83,00 €
40	Distance ring under handle <a href="#">777227</a>	4,56 €	39	Inlay, handle, black   A1077500066 <a href="#">777225</a>	31,00 €
45	Chrome cover R107 ->8.81, B-pillar RH <a href="#">769240</a>	275,00 €	45	Chrome cover R107 ->8.81 B-pillar LH <a href="#">769230</a>	275,00 €
45	Chrome cap B-pillar RH from 08.1981 <a href="#">769840</a>	298,99 €	45	Chrome cap B-pillar left, from 08.1981 <a href="#">769830</a>	298,99 €
54	Repr. skirt SLC rear Rt., repro <a href="#">763088</a>	152,51 €	54	Repr. skirt SLC rear Lt., repro. <a href="#">763078</a>	152,51 €
62	Seal, 1/4 window, front Lt. SLC <a href="#">767221</a>	59,10 €	60	C.d.c.Lt., Rt., 09.85-> <a href="#">772054</a>	15,10 €
63	Left Seal B-Pillar   . SL / -> 1985 <a href="#">772180</a>	29,99 €	62	Seal, 1/4 window, front Rt. SLC <a href="#">767222</a>	59,10 €
63	Seal B-pillar, Lt. SLC <a href="#">772182</a>	34,99 €	63	Seal B-pillar, left SL'85-> <a href="#">772181</a>	44,85 €
			63	Right Seal B-Pillar   . SL / -> 1985 <a href="#">772280</a>	29,99 €

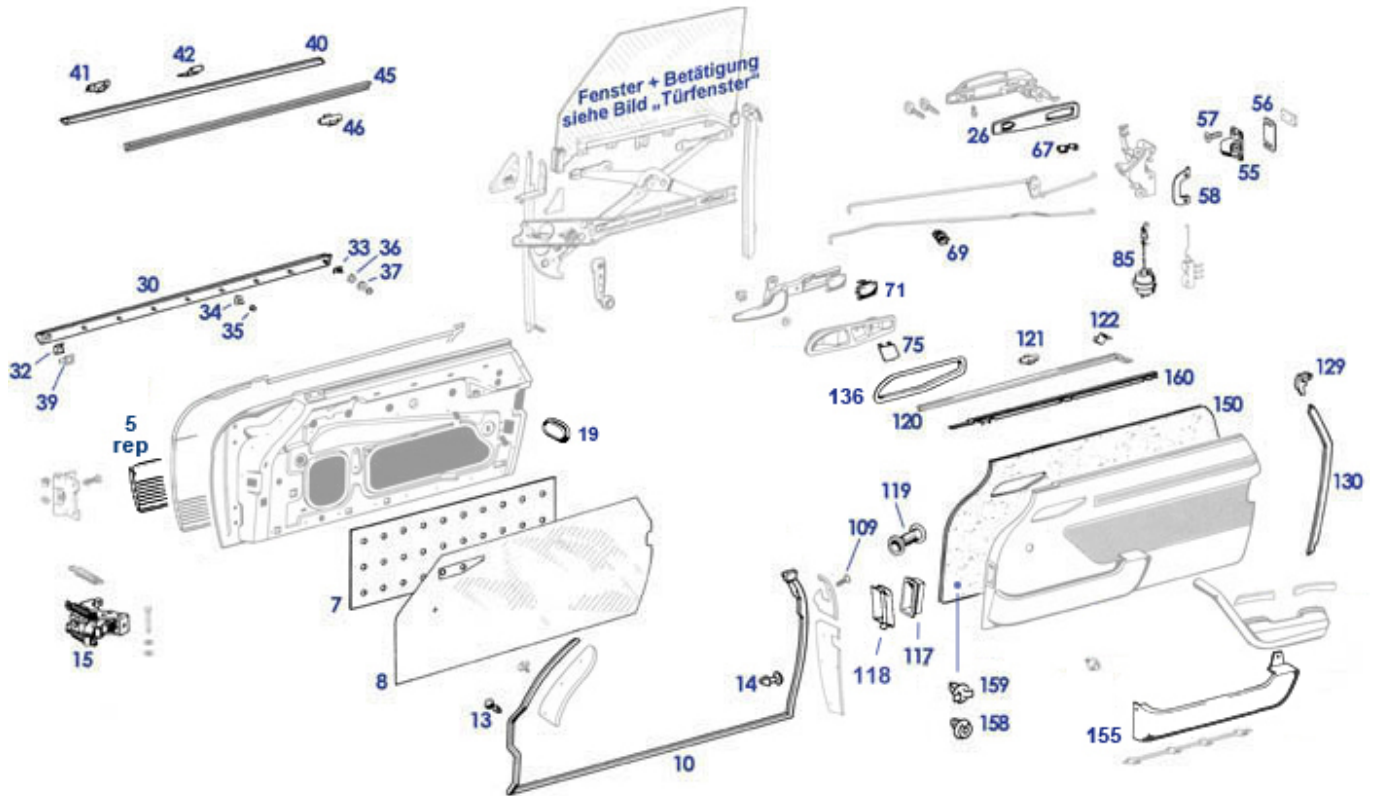


63	Seal B-pillar, Rt. SL'85->	<a href="#">772281</a>	44,85 €	63	Seal B-pillar, Rt. SLC	<a href="#">772282</a>	34,99 €
64	Top right B-Pillar Seal R107	<a href="#">772826</a>	18,99 €	64	Seal R107 B-pillar top left Repro	<a href="#">772816</a>	20,59 €
64	Gkt., R107 B-pillar upper Lt	<a href="#">772106</a>	29,99 €	64	Gkt., R107 B-pillar upper Rt.	<a href="#">772206</a>	29,99 €
71	decor. trim rear wing right	<a href="#">769620</a>	35,95 €	71	decor. trim rear wing left, repro.	<a href="#">769610</a>	35,95 €
72	decor. trim SLC rear wing left	<a href="#">769611</a>	57,36 €	72	decor. trim SL/C rear wing right	<a href="#">769621</a>	57,36 €
73	Special Nut	<a href="#">769158</a>	5,15 €	73	Escutcheon, protection, trim mounts	<a href="#">772807</a>	0,23 €
73	Bushing for clip, white	<a href="#">772005</a>	0,48 €	73	Clip	<a href="#">772003</a>	0,17 €
74	Slot protection, trim mounts	<a href="#">772856</a>	0,23 €	74	Clip, part of trims (1 each trim)	<a href="#">772002</a>	0,42 €
74	rubber hose, protection, 1m	<a href="#">799909</a>	1,00 €	85	Dec. strip R107, under door, left side	<a href="#">769050</a>	219,50 €
85	Dec.strip R107, under door, right side	<a href="#">769060</a>	219,50 €	86	Underlay, dec. strip, SLC Rt	<a href="#">769764</a>	19,84 €
86	Underlay, dec. strip, SLC Lt	<a href="#">769754</a>	19,84 €	86	Underlay, dec. strip, SL, Rt	<a href="#">769763</a>	17,16 €
86	Underlay, dec. strip, SL, Lt	<a href="#">769753</a>	17,16 €	87	Screw clip for dec.strip	<a href="#">769155</a>	6,88 €
87	Spring washer M4, e.g. trim fixing	<a href="#">799918</a>	0,12 €	88	Insertion clip, dec. strip	<a href="#">772006</a>	0,60 €
89	Clip, dec. strip, SLC	<a href="#">772055</a>	0,69 €	89	Plug, trim fitment, grey	<a href="#">772082</a>	1,02 €

## 72 Doors

### 72.b Door, frequently asked Items, Overview

72.b Door



	A1077280097 Underlay,dec. strip to doo clip	<a href="#">772507</a>	6,75 €		El. switch, power window,1x, Repro, 4-pole	<a href="#">782877</a>	69,90 €
		<a href="#">772227</a>	2,49 €		door striker LH, e.g. 107 from 09.'85, repro	<a href="#">772853</a>	21,42 €
	door striker RH, e.g. 107 from 09.'85, repro	<a href="#">772854</a>	21,42 €		spring clip, linkage vac locking	<a href="#">780972</a>	2,61 €
	A1266980358 Escutcheon by spire nut	<a href="#">772007</a>	0,17 €		sheet angle stainless steel, fits R+L	<a href="#">772037</a>	21,21 €
5rep	Door lip dec. strips,(2), rear	<a href="#">772999</a>	132,99 €	5rep	Patch panel lower door skin RH	<a href="#">772708</a>	55,55 €
5rep	Patch panel lower door skin LH	<a href="#">772707</a>	55,55 €	7	Dämmung selbstklebend 2mm x 1,6qm	<a href="#">968171</a>	119,99 €
7	Rst: A1077270097 foam block	<a href="#">772111</a>	1,18 €	7	Insulation, adhesive, at door skin inside R/C107	<a href="#">772168</a>	49,99 €
7	0,75 sqm mat, Teroson BT-SP100 self adhesive	<a href="#">968173</a>	67,20 €	8	Door cover foil sheet, non self adhesiv	<a href="#">772195</a>	5,71 €
8	16 m sealing compound strip 3mm black	<a href="#">699996</a>	10,59 €	10	Door seal R/C107 Lt.->12.'82	<a href="#">772100</a>	164,99 €
10	Door seal R/C107 Rt. 01.'83->	<a href="#">772202</a>	169,99 €	10	Door seal ->12.82. LeftRepro	<a href="#">772809</a>	88,00 €
10	Door seal ->12.82. Rightrepro	<a href="#">772819</a>	88,00 €	10	Door seal R/C107 Lt.01.'83->	<a href="#">772102</a>	169,99 €
10	Door seal R/C107 Rt.->12.'82	<a href="#">772200</a>	164,99 €	12	Plug clips, door seal front/upper fixation	<a href="#">772857</a>	0,89 €
13	Stopper for seal	<a href="#">772159</a>	0,40 €	14	Clip, door seal, rear	<a href="#">772158</a>	0,60 €
15	Locking clips, door catch bolt	<a href="#">772118</a>	0,73 €	15	roll, door stop repair	<a href="#">772079</a>	32,73 €
15	A1077200016 Hinge, Lt. or Rt.	<a href="#">772305</a>	129,71 €	19	Plug, oval, door rear face	<a href="#">798851</a>	1,18 €
19	rubber disc 18mm	<a href="#">798153</a>	2,01 €	26	A1267660105 U'lay,door handle, Lt.+Rt.	<a href="#">776150</a>	11,50 €
26	Underlay,door handle, Lt.+Rt.->8.85	<a href="#">776140</a>	2,76 €	30	decor. trim R/C 107 door left, repro.	<a href="#">772650</a>	92,39 €
30	Right Decor Ttrim R/C 107	<a href="#">772660</a>	92,39 €	32	Clip, part of trims (1 each trim)	<a href="#">772002</a>	0,42 €
34	Clip	<a href="#">772003</a>	0,17 €	35	Bushing for clip, white	<a href="#">772005</a>	0,48 €
35	Adaptor shape, if genuine plug no	<a href="#">772783</a>	0,25 €	36	Escutcheon, protection, trim	<a href="#">772807</a>	0,23 €

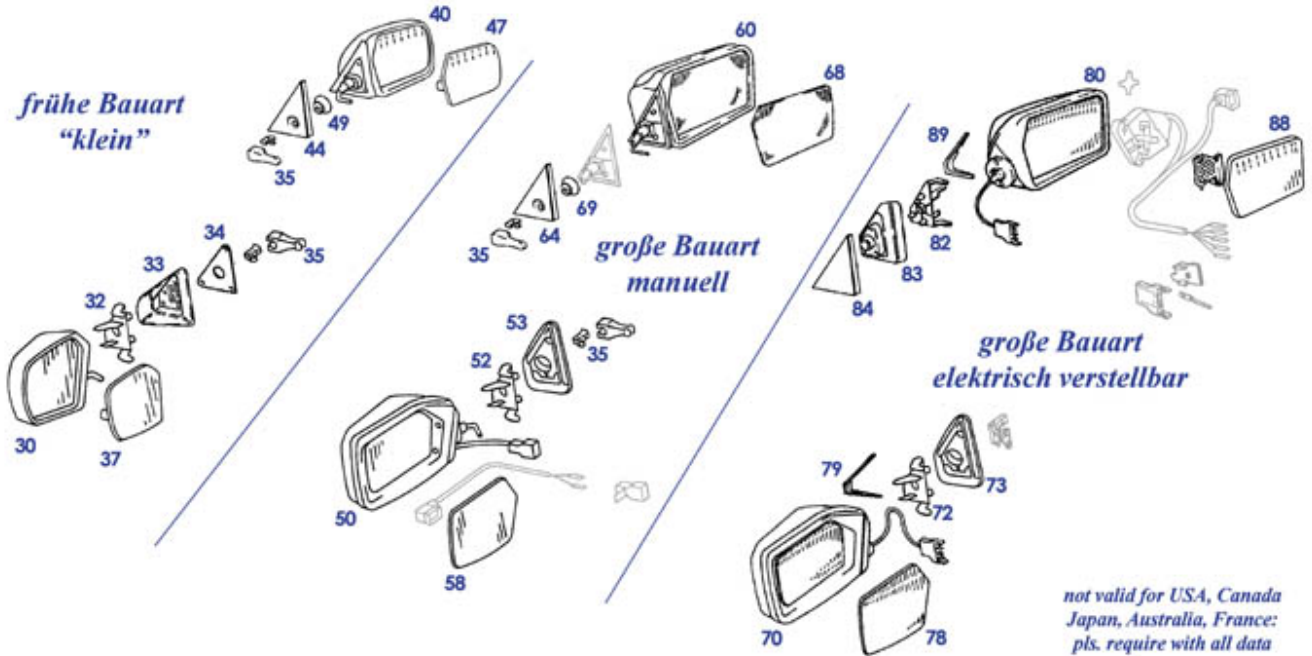
	success						
37	Washer, entry trim strip,fr.	<a href="#">268132</a>	0,18 €	37	mounts		
39	rubber hose, protection, 1m	<a href="#">799909</a>	1,00 €	39	Spring washer M4, e.g. trim fixing	<a href="#">799918</a>	0,12 €
41	Clip, outer door decoration trim, front end	<a href="#">772505</a>	3,13 €	42	Slot protection, trim mounts	<a href="#">772856</a>	0,23 €
45	1m brush profile? Window Scraper Seal - 1157250965	<a href="#">872500</a>	21,19 €	45	Underlay, dec. strip door upper (paint prot), up to 12.'82	<a href="#">772607</a>	3,09 €
46	Clip for brush 872500, early 107, up to 20 pcs.	<a href="#">772503</a>	1,56 €	46	Profile, door outer->glass, late style	<a href="#">772500</a>	24,07 €
55	C.d.c.Lt., Rt., 09.85->	<a href="#">772054</a>	15,10 €	56	Clip, fits new style brush, black	<a href="#">772508</a>	0,73 €
56	Distancer, 1,5mm, door catch '69->..	<a href="#">572012</a>	4,76 €	57	distancer 0,5mm flat , door catch '69->	<a href="#">872012</a>	4,76 €
57	Screw, 6x16 e.g. door catch, ..	<a href="#">777021</a>	1,24 €	58	Countersunk screw, lock frame, chrome plated	<a href="#">277265</a>	1,26 €
58	complete screw set, chrome plated, C107, all SLC models	<a href="#">799335</a>	296,44 €	58	complete screw set, chrome plated, R107, '85-	<a href="#">799334</a>	271,86 €
58	Screw, door catch surround M4 x 10 chrome plated	<a href="#">777829</a>	0,69 €	58	complete screw set, chrome plated, R107, '72-'85	<a href="#">799333</a>	290,11 €
58	Door catch garnish LH,107->85,some 4-d	<a href="#">872029</a>	49,52 €	58	Screw, door catch surround M4 x 10	<a href="#">777029</a>	1,90 €
58	1 pair door catch garnish 113,111Cab/Cp,C107 early	<a href="#">272815</a>	109,00 €	58	Door catch garnish RH,107->85,some 4-d	<a href="#">872028</a>	49,52 €
69	Guide, door opener rod	<a href="#">798005</a>	1,39 €	58	Chrome surround Lt. door '85->	<a href="#">772019</a>	15,17 €
75	Cover, handle escutcheon, LHD drivers side only	<a href="#">776810</a>	4,56 €	71	Lever separate for inner lock link L/R	<a href="#">776811</a>	120,00 €
85	Rbr bellow 50mm, vac element, early locking	<a href="#">780875</a>	17,85 €	80	Vac. activator valve, ctrl-locks, drvdoos	<a href="#">780170</a>	71,03 €
117	plastic frame air duct at door cover right, reproduction	<a href="#">772882</a>	10,20 €	100	Screw, countersunk, 3,5 door-chr.	<a href="#">799927</a>	1,14 €
118	Rubberseal A-pillar RH, door air duct	<a href="#">783804</a>	18,08 €	117	plastic frame air duct at door cover left, reproduction	<a href="#">772881</a>	10,20 €
119	Switch, flat connectors	<a href="#">282031</a>	10,21 €	118	Rubberseal A-pillar LH, door air duct	<a href="#">783803</a>	18,08 €
119	Rubber sleeve, doors to pillar ->1985	<a href="#">780920</a>	5,21 €	119	del-t: protection hose ctrl lock vac, late doors 107	<a href="#">780921</a>	8,93 €
121	Clip inner brush, late (from ca. 11.1982)	<a href="#">773804</a>	3,00 €	120	Profile, door inner->glass, late style l or r	<a href="#">772510</a>	39,38 €
122	Clip, brush strip, inner rear (2req), up to 12.'83	<a href="#">772506</a>	3,13 €	121	Clip, brush strip, inner @ coupe-window	<a href="#">772504</a>	3,09 €
129	Gkt., R107 B-pillar upper Lt	<a href="#">772106</a>	29,99 €	129	Gkt., R107 B-pillar upper Rt.	<a href="#">772206</a>	29,99 €
129	Top right B-Pillar Seal R107	<a href="#">772826</a>	18,99 €	129	Seal R107 B-pillar top left Repro	<a href="#">772816</a>	20,59 €
130	Seal B-pillar, Rt. SLC	<a href="#">772283</a>	18,21 €	130	Left Seal B-Pillar   . SL / -> 1985	<a href="#">772180</a>	29,99 €
130	Seal B-pillar, Rt. SL'85->	<a href="#">772281</a>	44,85 €	130	Right Seal B-Pillar   . SL / -> 1985	<a href="#">772280</a>	29,99 €
130	Seal B-pillar, Lt. SLC	<a href="#">772182</a>	34,99 €	130	Seal B-pillar, left SL'85->	<a href="#">772181</a>	44,85 €
136	Escutcheon frame, plastic, LH covers	<a href="#">772203</a>	27,97 €	130	Seal B-pillar, Rt. SLC	<a href="#">772282</a>	34,99 €
150	foam for door panel, pair	<a href="#">772197</a>	99,95 €	136	Escutcheon frame, plastic, RH covers	<a href="#">772204</a>	27,97 €
155	1 pair of raw door pockets early = long	<a href="#">772534</a>	136,85 €	150	Door cover inner blank w/o 3D-parts	<a href="#">772133</a>	57,91 €
155	Escutcheon fitting panelling screws diam 3,9	<a href="#">267014</a>	0,89 €	155	Counter sunk screw 4,2x14, industrial chromed	<a href="#">799932</a>	0,58 €
159	Clip, eg door covering	<a href="#">772229</a>	1,23 €	158	Clip on door trim (16x veh.)	<a href="#">772228</a>	0,48 €
				165	Pair doorcover layers, vinyl black	<a href="#">772490</a>	301,02 €

## 72 Door Locking Mechanism and Central Vacuum Locking

Distancer, 1,5mm, door catch '69->..	<a href="#">572012</a>	4,76 €	C.d.c.Lt., Rt., 09.85->	<a href="#">772054</a>	15,10 €
Underlay,door handle, Lt.+Rt.->8.85	<a href="#">776140</a>	2,76 €	A1267660105 U'lay,door handle, Lt.+Rt.	<a href="#">776150</a>	11,50 €
Lever separate for inner lock link L/R	<a href="#">776811</a>	120,00 €	Vac. activator valve, ctrl-locks, drvdoos	<a href="#">780170</a>	71,03 €
Rbr bellow 50mm, vac element, early locking	<a href="#">780875</a>	17,85 €	1m vac pipe 3/5mm white	<a href="#">780901</a>	2,25 €
Rubber sleeve, doors to pillar ->1985	<a href="#">780920</a>	5,21 €	spring clip, linkage vac locking	<a href="#">780972</a>	2,61 €
Handle, key, fits up to 11.'78 ca	<a href="#">789190</a>	12,05 €	Guide, door opener rod	<a href="#">798005</a>	1,39 €
distancer 0,5mm flat , door catch	<a href="#">872012</a>	4,76 €	Door catch LH, ca. 06.'69 to 08.'85	<a href="#">272621</a>	107,10 €

## 81 Door Mirror

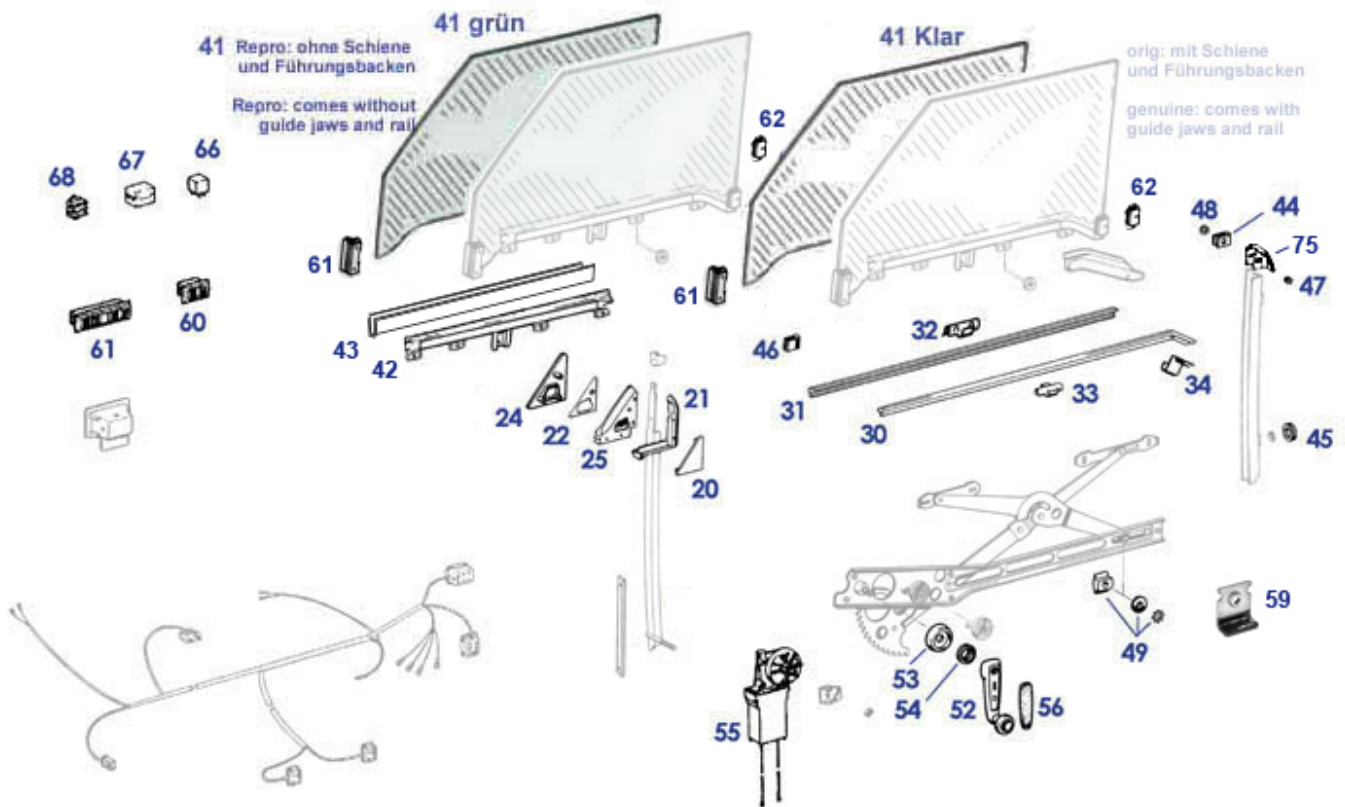
81 Door Mirror



34	Inner cover plate, mirror LT, early, Repro	<a href="#">781034</a>	8,33 €	35	Handle for adjusting ext. mirror	<a href="#">781835</a>	22,50 €
37	mirror glass early lt.	<a href="#">781837</a>	17,85 €	44	Inner cover plate, mirror RT, early, Repro	<a href="#">781044</a>	8,33 €
47	mirror glass early rt	<a href="#">781847</a>	17,85 €	49	Rubber sleeve, adj. handle	<a href="#">781049</a>	2,11 €
50	Rest: Ext. mirror,LHD,Lt., lg. man.	<a href="#">781050</a>	249,90 €	53	Seal mirror base, outer left side, large mirror type	<a href="#">781053</a>	59,90 €
58	mirror glass,LH, late version, colorless, with base plate,	<a href="#">781757</a>	26,78 €	58	mirror glass,LH, late version, blue colored, with base plate,	<a href="#">781157</a>	29,99 €
64	Cover plate, LHD,l, for lg.	<a href="#">781056</a>	15,20 €	68	DIY mirr glass RH/LHD, late	<a href="#">781867</a>	15,41 €
68	mirror glass,RH, late version, colorless, with base plate,	<a href="#">781768</a>	26,78 €	68	mirror glass,RH, late version, blue colored, with base plate,	<a href="#">781168</a>	47,48 €

## 72.c Door Window

72.c Door Window

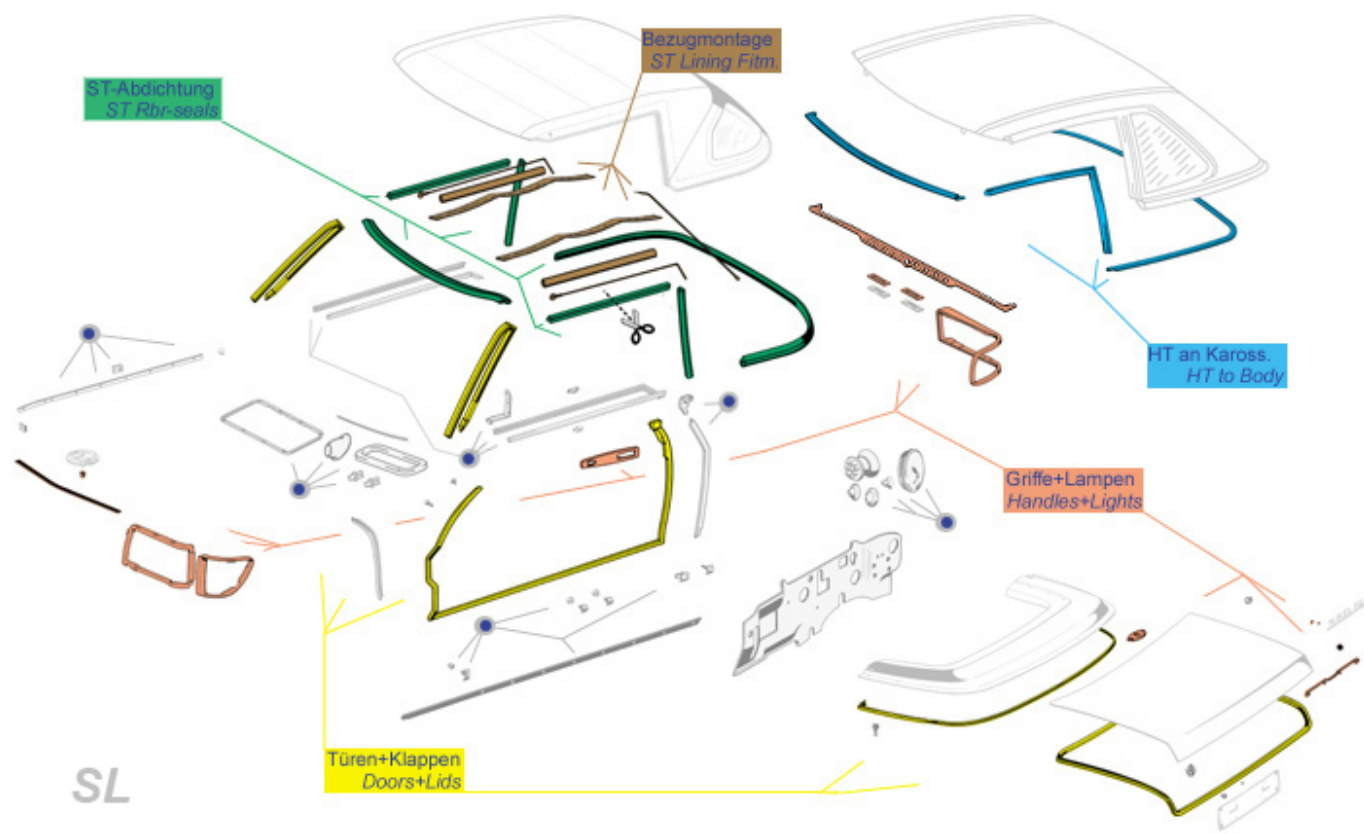


	drip rail right at door window	<a href="#">772764</a>	42,00 €		Clip, brush strip, inner @ coupe-window	<a href="#">772504</a>	3,09 €
	drip rail left at door window	<a href="#">772763</a>	42,00 €		bracket door window stop, rubber plated	<a href="#">772071</a>	9,50 €
	Door glass SL RH, green, no brackets	<a href="#">772821</a>	208,25 €		Door glass SL LH green, no brackets	<a href="#">772811</a>	208,25 €
20	A1077200311 Cover,RHD Lt. electric mirr	<a href="#">781554</a>	10,61 €	20	Cover plate, LHD,I, for lg.	<a href="#">781056</a>	15,20 €
20	Inner cover plate, mirror RT, early, Repro	<a href="#">781044</a>	8,33 €	20	Inner cover plate, mirror LT, early, Repro	<a href="#">781034</a>	8,33 €
20	Cover,LHD Rt. electric mirrow	<a href="#">781064</a>	15,20 €	21	Guide, window, front Lt.	<a href="#">772511</a>	38,83 €
21	Guide, window, front Rt.	<a href="#">772512</a>	38,83 €	22	Seal, mirror plate, outer	<a href="#">772782</a>	4,62 €
30	Profile, door inner->glass, late style l or r	<a href="#">772510</a>	39,38 €	31	1m brush profile? Window Scraper Seal - 1157250965	<a href="#">872500</a>	21,19 €
31	Profile, door outer->glass, late style	<a href="#">772500</a>	24,07 €	32	Clip, fits new style brush, black	<a href="#">772508</a>	0,73 €
32	Clip for brush 872500, early 107, up to 20 pcs.	<a href="#">772503</a>	1,56 €	33	Clip inner brush, late (from ca. 11.1982)	<a href="#">773804</a>	3,00 €
34	Clip, brush strip, inner rear (2req), up to 12.'83	<a href="#">772506</a>	3,13 €	41cl	Door glass SL RH, clear, no brackets	<a href="#">772720</a>	218,00 €
41cl	Door glass SL LH, clear, no brackets	<a href="#">772710</a>	218,00 €	41gn	Door glass SL RH, green, no brackets	<a href="#">772721</a>	205,00 €
41gn	Door glass SL LH green, no brackets	<a href="#">772711</a>	205,00 €	42	Glass supporting rail, door LH	<a href="#">772073</a>	164,99 €
42	glass supporting rail, door RH	<a href="#">772074</a>	164,99 €	43	Glass supporting rubber profile, to be glued (70cm)	<a href="#">772075</a>	6,55 €
44	Insert, guide channel,rear	<a href="#">770624</a>	4,56 €	45	hexagon socket head cap screw 8.8 M6 X 8	<a href="#">799722</a>	0,27 €
45	Plug, oval, door rear face	<a href="#">798851</a>	1,18 €	46	slide insert for guide jaws at doorglass	<a href="#">772829</a>	6,19 €
47	Grub screw	<a href="#">270722</a>	6,66 €	48	Rubber washer,adjusted slide rail inser	<a href="#">270723</a>	0,99 €
49	Washer Kit for Mounting Window Regulator - 1237200114	<a href="#">272752</a>	10,88 €	52	Handle MB,W123-design, usable '70-'82	<a href="#">776001</a>	3,67 €
52	Handle w.knob, ca. 1970-1976	<a href="#">276004</a>	41,50 €	55	2 pole terminal	<a href="#">154052</a>	44,85 €
55	El. motor, el. window Lt., replaced design	<a href="#">772547</a>	208,90 €	55	El. motor, el. window Rt. replaced design	<a href="#">772548</a>	199,00 €
59	bracket door window stop	<a href="#">772072</a>	4,56 €	59	bracket door window stop, rubber plated	<a href="#">772070</a>	11,99 €



61	Door glass front guide jaw L or R	<a href="#">772824</a>	58,31 €	61	El. switch, power window,1x, Repro, 4-pole	<a href="#">782877</a>	69,90 €
61	Switch, el.w.,2 way+fuse SL	<a href="#">782374</a>	71,39 €	61	el. switch, pwr window 300-500SL, RH, from ca '87	<a href="#">782372</a>	7,62 €
61	el. switch, pwr window 300-500SL, LH, from ca '87	<a href="#">782371</a>	14,90 €	61	Switch, el.windows, 2 way SLC, RH side	<a href="#">782375</a>	71,39 €
62	Door glass rear guide jaw R	<a href="#">772828</a>	55,99 €	62	Door glass rear guide jaw L	<a href="#">772827</a>	55,99 €
66	El. relay, 5-pin see pict, div. applications	<a href="#">754329</a>	17,85 €	67	Fuse box, additional,2 fuses, cap with screw	<a href="#">254099</a>	9,71 €
75	Upper chrome partition of rear RH glass guide	<a href="#">772865</a>	79,94 €	75	Upper chrome partition of rear LH glass guide	<a href="#">772855</a>	79,94 €

## 72.x Body Rubber Seals / Weatherstrip Kits

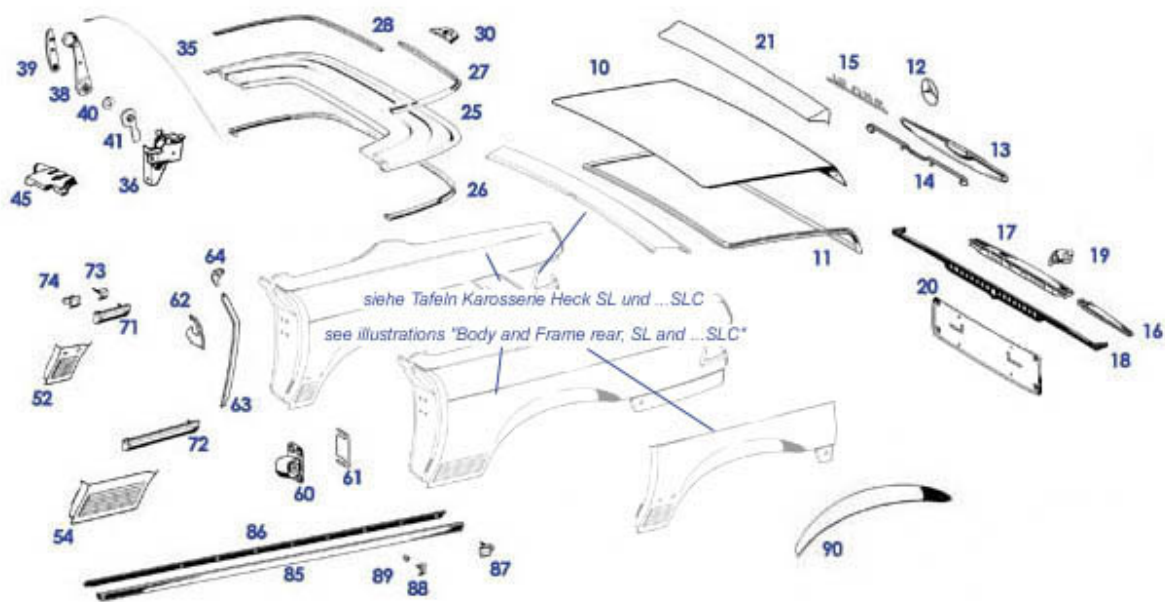


SLC



## 75, 77, 78, 88 Body Lids, Bonnet

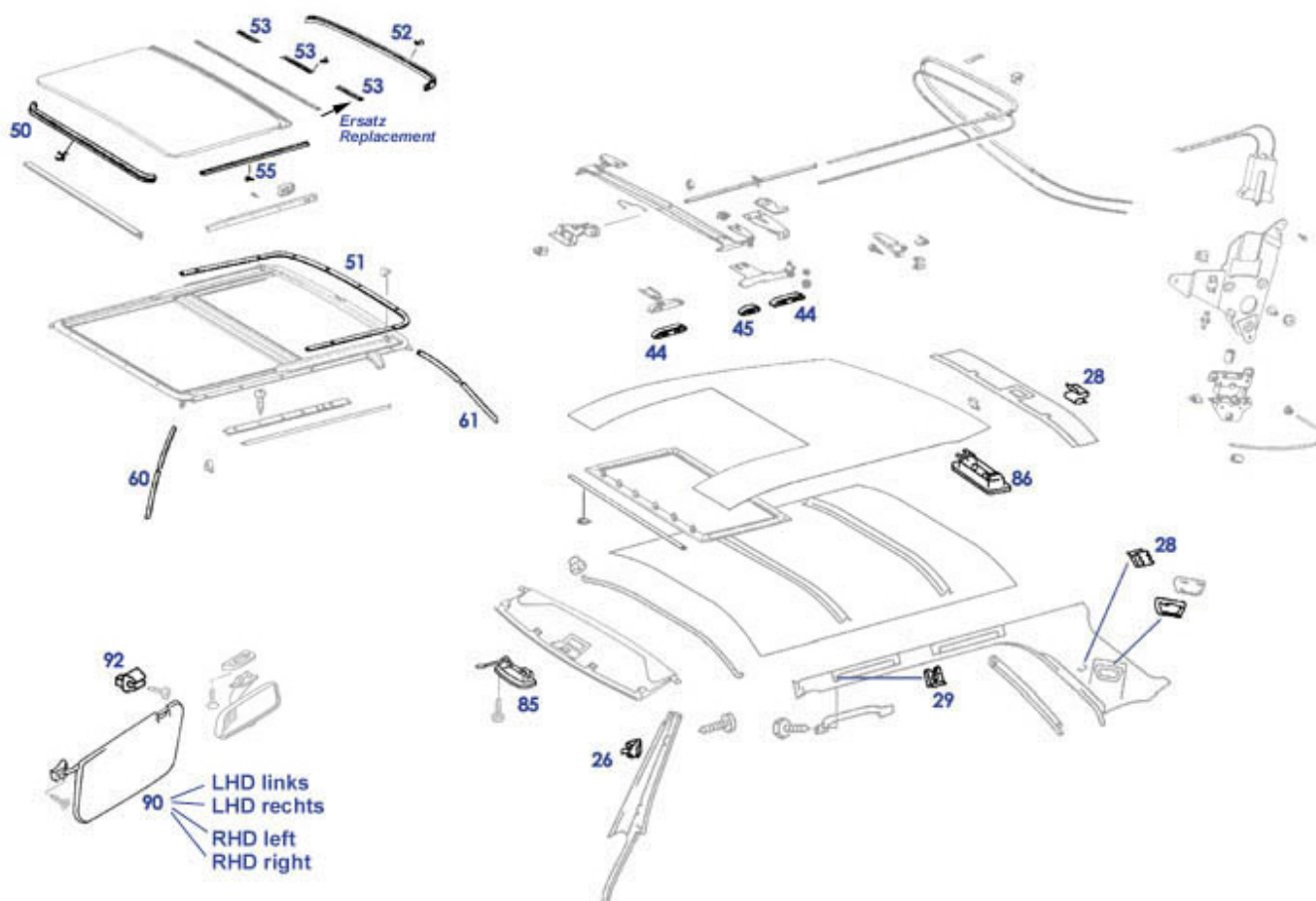
## 75, 69, .. Rear Body Attachment Parts



	washer 5,3 X 9 X 1mm, zinc plated	<a href="#">799277</a>	0,12 €		rubber washer fits M6	<a href="#">299081</a>	1,19 €
	hexagon flange bolts M6 X 12 zinc plated	<a href="#">799955</a>	0,56 €		rubber washer 5,4mm X 14,0mm	<a href="#">999044</a>	0,52 €
	support for wire mount, improved retrofit, without throttle	<a href="#">775886</a>	90,00 €		Adaptor shape, if genuine plug no success	<a href="#">772783</a>	0,25 €
	spring washer mech. zinc plated B4	<a href="#">799926</a>	0,12 €	10	Lamp holder trunk w/o switch	<a href="#">782822</a>	70,00 €
10	Bulb 12V / 10W, torpedo, total length 44	<a href="#">299094</a>	0,51 €	10	shim 1mm, catch underlay, height adjustment	<a href="#">375039</a>	8,01 €
10	Buffer, conical shape, boot lid div.	<a href="#">398043</a>	1,65 €	10	Torsion spring set, boot- + s.t	<a href="#">777229</a>	109,00 €
10	el.switch, glovebox,bonnet...	<a href="#">782885</a>	3,26 €	11	Boot seal, 280-500SL (not SLC), most genuine Q	<a href="#">775020</a>	129,70 €
11	Boot seal, 280-500SL (not SLC)	<a href="#">775820</a>	61,50 €	11	Boot seal 280-500SLC orig.	<a href="#">775025</a>	218,00 €
11	Boot seal, 280-500SL (not SLC)	<a href="#">775720</a>	78,54 €	12	Grommet for Mercedes Star at boot lid   1985 ->	<a href="#">798756</a>	0,50 €
13	Boot lid handle R/C107, Repro	<a href="#">775710</a>	130,90 €	13	Screw, M4 Phillips, e.g boot handle	<a href="#">775899</a>	0,19 €
14	Underlay, boot handle 107	<a href="#">775811</a>	8,51 €	16	Bolt M5	<a href="#">769859</a>	0,70 €
18	underlay rubber for decor. trim middle	<a href="#">769055</a>	44,99 €	18	screw countersunk PH 2,9x13 stainless	<a href="#">769179</a>	0,24 €
19	Early Bootlock (up to 1980,without ctrl.lock syst)	<a href="#">775030</a>	474,99 €	19	Buffer, trunk lid catch,fits casted bod	<a href="#">775138</a>	3,00 €
19	retaining ring for shafts 7 X 0,8, e.g trunk 107	<a href="#">775036</a>	0,42 €	19	Bootlock, key no car belong, knobdiam 19.8	<a href="#">775838</a>	460,11 €
20	universal lic-plate underlay 520x110, stainless steel	<a href="#">988088</a>	41,06 €	20	M5 riveted nut eg lic-plate	<a href="#">764099</a>	0,64 €
20	M5 chrome bolt PH, e.g. licence plates	<a href="#">988998</a>	2,20 €	20	rbr buffer, rr lic plate, ... ref 1089870540	<a href="#">898044</a>	7,90 €
20	Licence plate underlay, fr./rear, s-steel polished, fits 520mm	<a href="#">588088</a>	11,90 €	20	Bolt slot head M5 x 16 A4, e.g.Lic-plat	<a href="#">988999</a>	0,83 €
20	Licence plate underlay, stainless steel, inner width 46cm	<a href="#">988788</a>	29,75 €	21	Spoiler, boot lid, R/C107	<a href="#">779320</a>	799,00 €
21	rubber washer 4,4 X 11 X 2	<a href="#">999045</a>	0,58 €	25	foam cube self adhesive	<a href="#">775111</a>	1,61 €
26	Seal Box cover repro	<a href="#">775860</a>	66,20 €	26	Seal, soft top compt. lid	<a href="#">775060</a>	164,99 €
27	1m rubber profile, window garnish trim	<a href="#">779030</a>	1,19 €	30	Nut	<a href="#">299035</a>	0,17 €
30	Washer for 299034	<a href="#">299038</a>	0,12 €	30	Rubber washer, rear compt. underlay, escution	<a href="#">299036</a>	0,26 €
30	Esc. on lock, s. top c.lid	<a href="#">775112</a>	84,89 €	30	Set 3-pcs crank+lever+cushion, Repro	<a href="#">775113</a>	0,73 €
35	wire softtop compt.	<a href="#">775859</a>	83,00 €	38	Distance ring under handle	<a href="#">777825</a>	138,87 €
39	Inlay, handle, black   A1077500066	<a href="#">777225</a>	31,00 €	40		<a href="#">777227</a>	4,56 €

45	Chrome cap B-pillar RH from 08.1981	<a href="#">769840</a>	298,99 €	45	Chrome cap B-pillar left, from 08.1981	<a href="#">769830</a>	298,99 €
45	Chrome cover R107 ->8.81 B-pillar LH	<a href="#">769230</a>	275,00 €	45	Chrome cover R107 ->8.81, B-pillar RH	<a href="#">769240</a>	275,00 €
54	Repr. skirt SLC rear Lt., repro.	<a href="#">763078</a>	152,51 €	54	Repr. skirt SLC rear Rt., repro	<a href="#">763088</a>	152,51 €
60	C.d.c.Lt., Rt., 09.85->	<a href="#">772054</a>	15,10 €	62	Seal, 1/4 window, front Rt. SLC	<a href="#">767222</a>	59,10 €
62	Seal, 1/4 window, front Lt. SLC	<a href="#">767221</a>	59,10 €	63	Seal B-pillar, Rt. SL'85->	<a href="#">772281</a>	44,85 €
63	Seal B-pillar, left SL'85->	<a href="#">772181</a>	44,85 €	63	Right Seal B-Pillar   . SL / -> 1985	<a href="#">772280</a>	29,99 €
63	Left Seal B-Pillar   . SL / -> 1985	<a href="#">772180</a>	29,99 €	63	Seal B-pillar, Rt. SLC	<a href="#">772282</a>	34,99 €
63	Seal B-pillar, Lt. SLC	<a href="#">772182</a>	34,99 €	64	Gkt., R107 B-pillar upper Rt.	<a href="#">772206</a>	29,99 €
64	Top right B-Pillar Seal R107	<a href="#">772826</a>	18,99 €	64	Seal R107 B-pillar top left Repro	<a href="#">772816</a>	20,59 €
64	Gkt., R107 B-pillar upper Lt	<a href="#">772106</a>	29,99 €	71	decor. trim rear wing left, repro.	<a href="#">769610</a>	35,95 €
71	decor. trim rear wing right	<a href="#">769620</a>	35,95 €	72	decor. trim SL/C rear wing right	<a href="#">769621</a>	57,36 €
72	decor. trim SLC rear wing left	<a href="#">769611</a>	57,36 €	73	Escutcheon, protection, trim mounts	<a href="#">772807</a>	0,23 €
73	Clip	<a href="#">772003</a>	0,17 €	73	Bushing for clip, white	<a href="#">772005</a>	0,48 €
73	Special Nut	<a href="#">769158</a>	5,15 €	74	Slot protection, trim mounts	<a href="#">772856</a>	0,23 €
74	Clip, part of trims (1 each trim)	<a href="#">772002</a>	0,42 €	74	rubber hose, protection, 1m	<a href="#">799909</a>	1,00 €
85	Dec.strip R107, under door, right side	<a href="#">769060</a>	219,50 €	85	Dec. strip R107, under door, left side	<a href="#">769050</a>	219,50 €
86	Rest: Underlay, dec. strip, SLC,	<a href="#">769054</a>	41,67 €	86	Underlay, dec. strip, SL, Rt	<a href="#">769763</a>	17,16 €
86	Underlay, dec. strip, SL, Lt	<a href="#">769753</a>	17,16 €	86	Rest: Underlay, dec. strip, SLC, RH	<a href="#">769064</a>	41,67 €
87	Screw clip for dec.strip	<a href="#">769155</a>	6,88 €	87	Spring washer M4, e.g. trim fixing	<a href="#">799918</a>	0,12 €
88	Insertion clip, dec. strip	<a href="#">772006</a>	0,60 €	89	Plug, trim fitment, grey	<a href="#">772082</a>	1,02 €

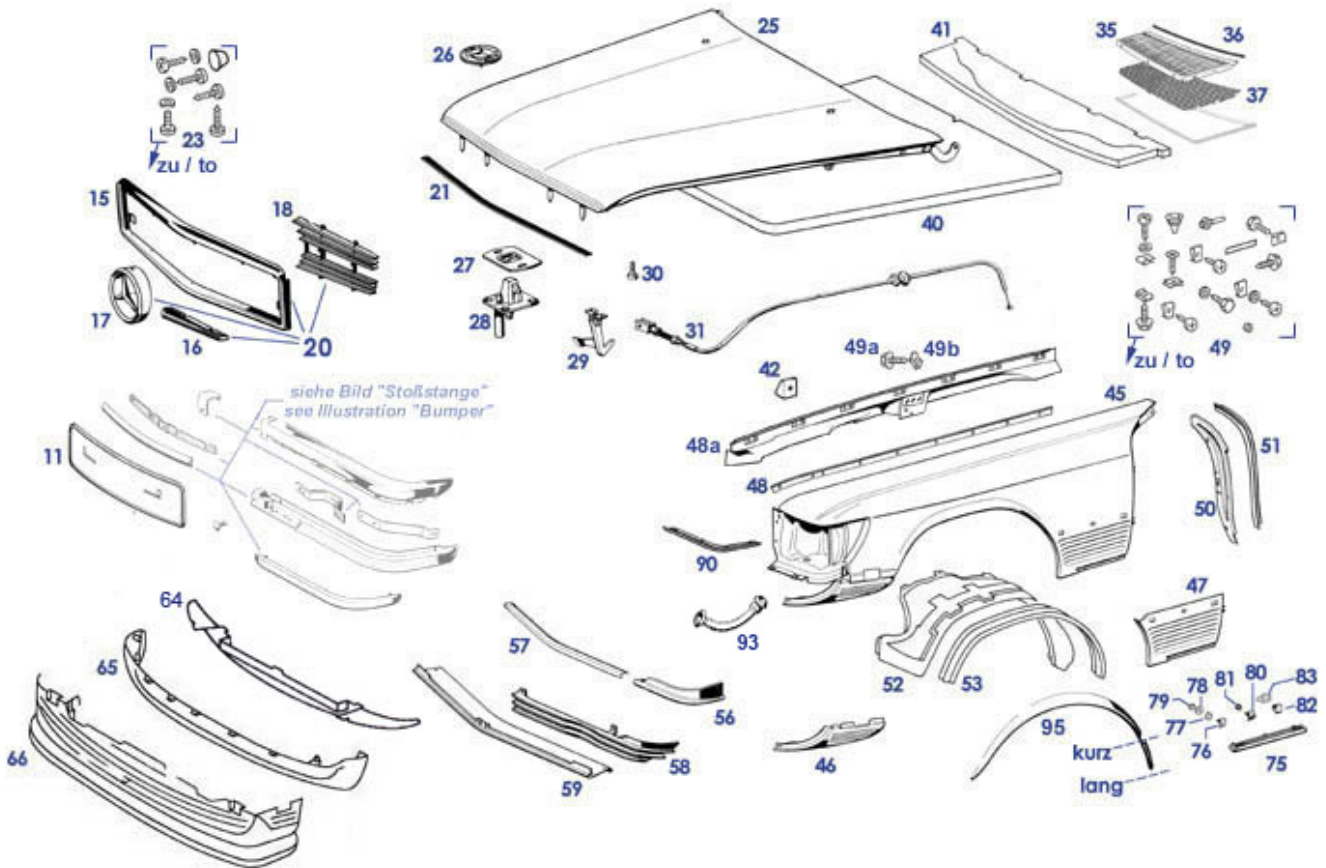
## 68.d, 81, 78 SLC inner roof attachments and covering



brush L or R sunroof	<a href="#">878720</a>	8,97 €	Foam sheet per square mtr, D=5mm	<a href="#">368037</a>	8,65 €
----------------------	------------------------	--------	----------------------------------	------------------------	--------

29	Spire nut for handle	<a href="#">798739</a>	0,45 €	30	Sunroof cable 107SLC	<a href="#">778031</a>	199,80 €
45	Slider,s'shine roof, middle	<a href="#">778975</a>	40,45 €	55	Niete z.B. ESSD-Anschlag	<a href="#">798168</a>	0,39 €

## 88.a Panelling front



	washer 4,3 X 12 X 1	<a href="#">799890</a>	0,14 €		Cover strip, under head'lamp, RH	<a href="#">788661</a>	95,00 €
	universal lic-plate underlay	<a href="#">988088</a>	41,06 €		Cover strip, under head'lamp, LH	<a href="#">788651</a>	95,00 €
	520x110, stainless steel						
	panhead tapping screw 4,2 X 16	<a href="#">788381</a>	0,18 €		panhead tapping screw 4,8 X 13	<a href="#">788206</a>	0,30 €
	Bolt A2 M5X12, frt grille mouldings,	<a href="#">788207</a>	0,74 €	11	Licence plate underlay, fr./rear, s-	<a href="#">588088</a>	11,90 €
	..				steel polished, fits 520mm		
15	Rad. grille frame,R/C107, repro. Q-	<a href="#">788203</a>	249,90 €	16	Pair of trims, repro	<a href="#">788836</a>	199,00 €
	deficite						
17	Rubber ring, wiper motor	<a href="#">282407</a>	0,77 €	18	REST: Grille RT, Repro, latest	<a href="#">788066</a>	35,45 €
					version		
18	Screw	<a href="#">799931</a>	0,24 €	18	Washer 4,3 yellow zinced	<a href="#">299282</a>	0,08 €
18	REST: Grille LT, Repro, latest	<a href="#">788055</a>	35,45 €	20	Rubber buffer on radiator grille	<a href="#">788209</a>	5,99 €
	version				frame		
21	Rbr profile @ bonnet under chrome	<a href="#">788804</a>	4,21 €	25	Ground strap, bonnet 107, 111, 108	<a href="#">754888</a>	29,37 €
	frame						
27	Hood catch, upper	<a href="#">288001</a>	23,40 €	27	hexagon flange bolts M6 X 12 zinc	<a href="#">799955</a>	0,56 €
					plated		
28	Hood catch, lower, short neck / Alu	<a href="#">288002</a>	408,88 €	29	Safety hook, bonnet lock	<a href="#">788831</a>	29,87 €
29	locking clips, bonnet stay, 107 late	<a href="#">788608</a>	3,57 €	29	Washer 2mm, thick, exh-manif,	<a href="#">214008</a>	0,56 €
	(from 12.'73)				bumpers .		
30	Buffer, bonnets, ..	<a href="#">298201</a>	2,32 €	30	Hex Nut M6 flat shaped	<a href="#">299291</a>	0,37 €
31	Bowden cable, 350SL fr.004434	<a href="#">788005</a>	24,80 €	31	Clamp, rear floor, fits 6mm wire or	<a href="#">242059</a>	3,71 €
					pipe		

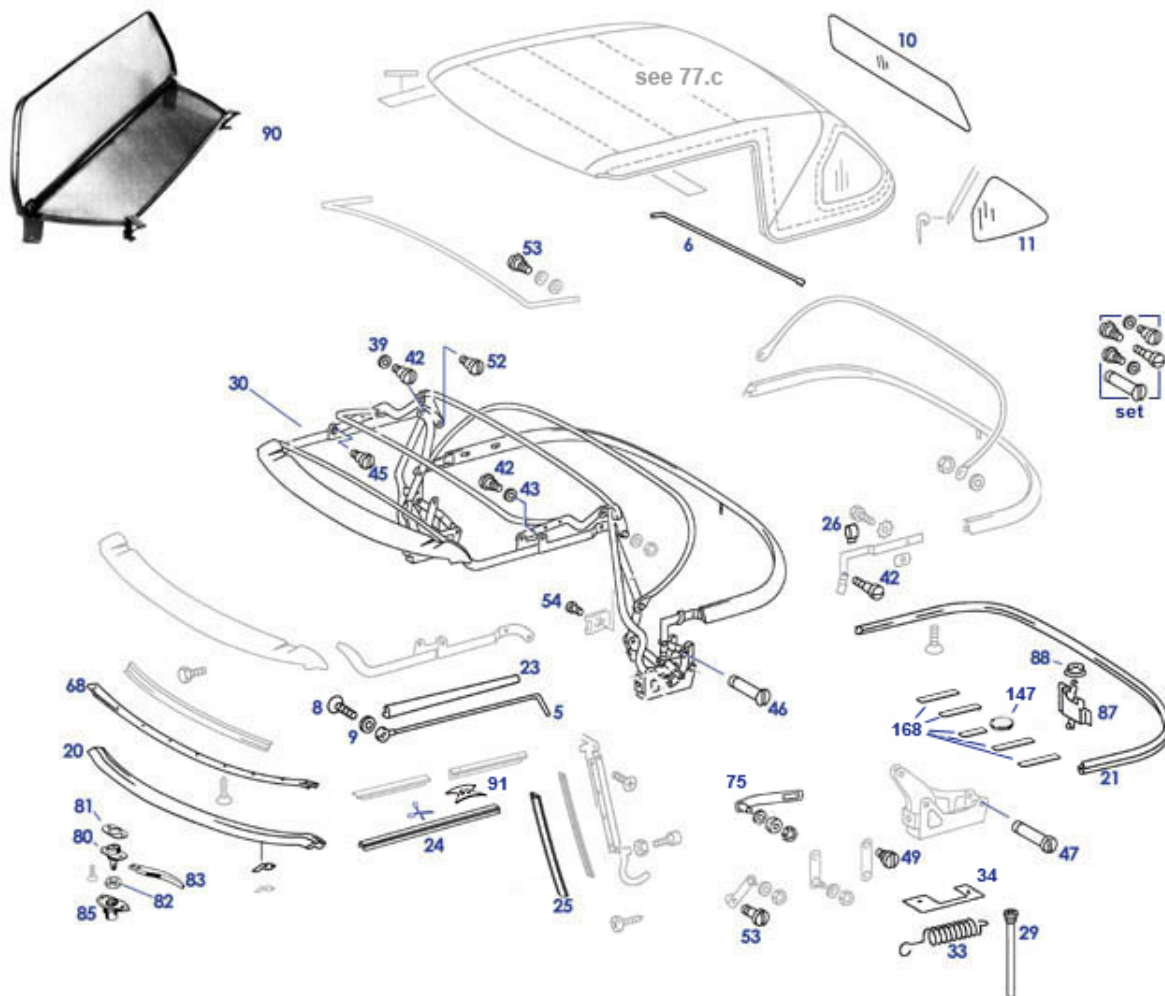


31	Screw 4,8 x 10 Hex 8	<a href="#">799844</a>	0,63 €	35	Rivet,for cover in boot	<a href="#">269034</a>	0,35 €
36	Seal profile f.a. inlet	<a href="#">783819</a>	5,37 €	40	Bonnet noise reduction 107, also 300SL	<a href="#">768886</a>	47,60 €
40	Bonnet noise red. 107, early exc.300SL	<a href="#">768085</a>	47,60 €	41	Foam insulation rr part of bonnet	<a href="#">788824</a>	34,99 €
42	Buffer, bonnet @ fender slot	<a href="#">788601</a>	1,96 €	42	Screw 3,9 x 19 e.g. Bonnet-rubber	<a href="#">788609</a>	0,32 €
42	Shim 4,3x8	<a href="#">799939</a>	0,19 €	45	Wing, R/C107 REPRO. front Lt. bad fitting and contours	<a href="#">788011</a>	485,15 €
45	Wing, R/C107 REPRO. front Rt. bad fitting and contours	<a href="#">788021</a>	485,15 €	45	rubber pad, wing mount to A-pillar RH	<a href="#">788069</a>	1,82 €
45	Rubber pad, wing mount to A-pillar LH	<a href="#">788059</a>	1,82 €	45	W/S glastransp. incl. box(Germany)	<a href="#">967999</a>	121,25 €
45	Cardbox for large spareparts, 170x60x80cm	<a href="#">967993</a>	25,82 €	46	Front right lower wing repair panel	<a href="#">788525</a>	69,00 €
46	Front left lower wing repair panel	<a href="#">788515</a>	63,00 €	47	Counter sunk screw, eg wing to rail	<a href="#">799930</a>	0,38 €
47	Repr. panel,fr. wing, rear Lt.	<a href="#">788013</a>	62,92 €	47	Repr. panel,fr. wing, rear Rt.	<a href="#">788023</a>	62,92 €
48a	Rest: Inner wing repair piece, rt.	<a href="#">762141</a>	47,27 €	48a	Rest: Inner wing repair piece, left	<a href="#">762131</a>	47,27 €
48	Multi-Purpose Adhesive Insulation Seal	<a href="#">298001</a>	9,40 €	49b	Nut for panelling screw	<a href="#">798170</a>	0,81 €
49	Washer eg wing to A-pillar	<a href="#">798148</a>	0,33 €	49	plastic rivet, headlights (EU) to fender	<a href="#">799091</a>	3,33 €
49a	Panelling screw SW10 6,2x20	<a href="#">799924</a>	0,88 €	50	16 m sealing compound strip 3mm black	<a href="#">699996</a>	10,59 €
50	splash guard LH ->'85	<a href="#">788850</a>	47,15 €	50	Panelling screw 5,5 x 16 (hex head 8mm)	<a href="#">288059</a>	0,60 €
50	splash guard RH ->'85	<a href="#">788860</a>	47,15 €	52	Set 2 pcs protection mudguards, 08.'85	<a href="#">788054</a>	265,00 €
52	Nut	<a href="#">999809</a>	0,38 €	52	guide with threaded bolt, mudguard positioning	<a href="#">798042</a>	1,96 €
56	Panelling screw 4,8 x 13	<a href="#">799933</a>	0,32 €	56	Blechmutter zB Lampentopf, Heizungskast	<a href="#">788099</a>	0,55 €
58	Air Grille front left side, Euro-Version, fitting cars up to	<a href="#">788677</a>	28,29 €	58	Air Grille front right side, Euro-Version, fitting cars up to	<a href="#">788688</a>	28,29 €
64	Clip nut	<a href="#">798167</a>	0,43 €	64	Frontspoiler, Repro, Years 73-80	<a href="#">779790</a>	465,65 €
65	washer 5,3 X 15 X 1,2	<a href="#">799891</a>	0,15 €	65	Pan head tapping screw, zinc plated, 4,8 X 19	<a href="#">799937</a>	0,32 €
66	Plastic rivet e.g. lower fan duct	<a href="#">788992</a>	0,43 €	66	Glassfibre Reproduction front skirt 300-500SL/from 08.'85	<a href="#">779317</a>	969,85 €
66	Glassfibre Reproduction front skirt 300-500SL/from 08.'85	<a href="#">779318</a>	535,50 €	75	Decor. trim, R/C107, frontwing right	<a href="#">769680</a>	50,22 €
75	Decor. trim,R/C107,left frontwing	<a href="#">769670</a>	50,22 €	77	Escutcheon, protection, trim mounts	<a href="#">772807</a>	0,23 €
77	A1266980358 Escutcheon by spire nut	<a href="#">772007</a>	0,17 €	79	Hex Nut, M4	<a href="#">799919</a>	0,20 €
80	Clip	<a href="#">772003</a>	0,17 €	81	Bushing for clip, white	<a href="#">772005</a>	0,48 €
82	Clip, part of trims (1 each trim)	<a href="#">772002</a>	0,42 €	83	rubber hose, protection, 1m	<a href="#">799909</a>	1,00 €
83	Slot protection, trim mounts	<a href="#">772856</a>	0,23 €	90	Trim above headlamp @ RH wing, Repro	<a href="#">788818</a>	44,24 €
90	Trim above headlamp @ LH wing, Repro	<a href="#">788819</a>	44,24 €	90	Washer, entry trim strip,fr.	<a href="#">268132</a>	0,18 €
90	Nut	<a href="#">798174</a>	0,36 €	93	Protection sleeve, headlamp wiring, fits L or R	<a href="#">754046</a>	25,95 €

## 77,79 SL-Tops, Softtop, Hardtop

### 77, Softtop

77, Softtop

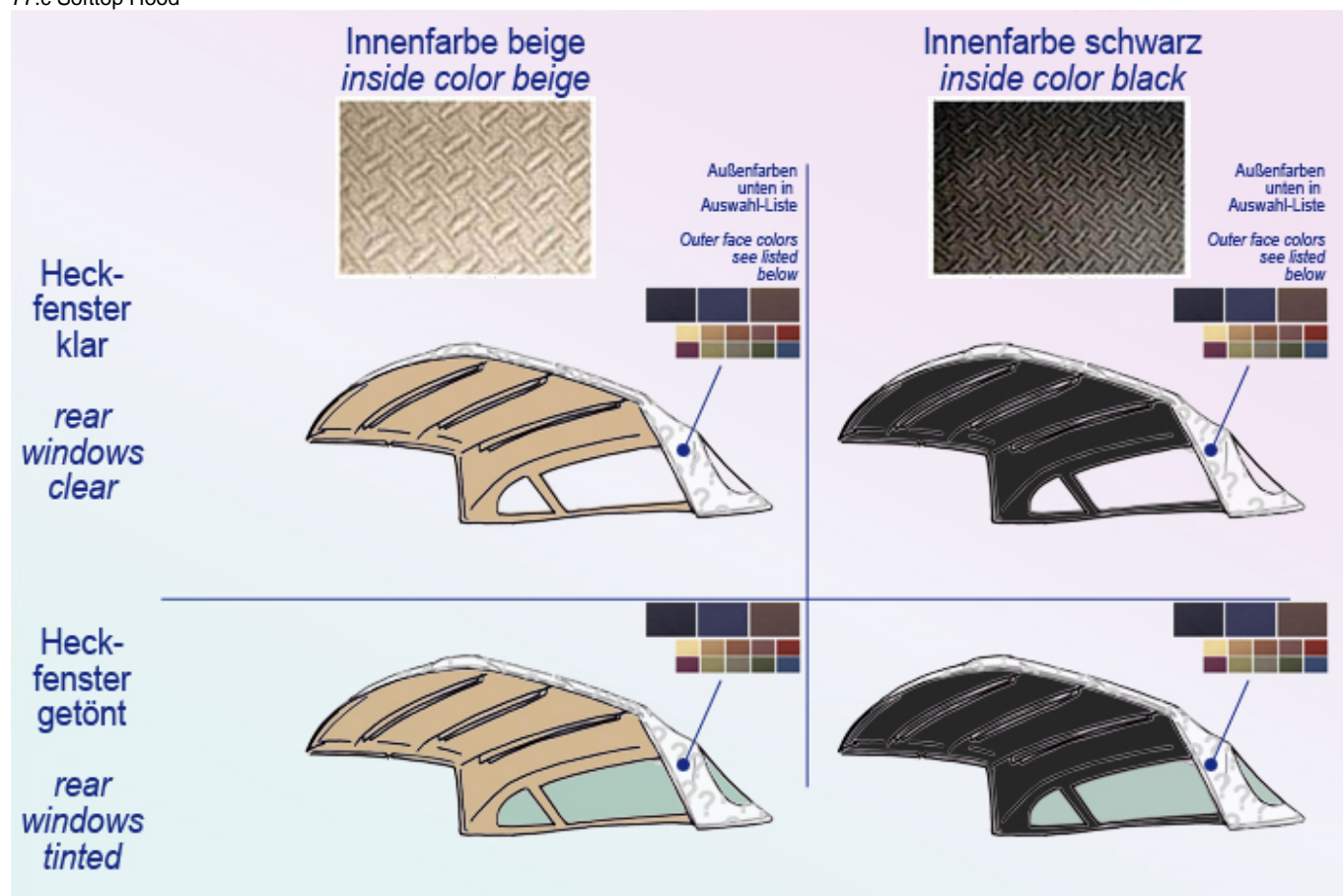


gurt	Set S/T-frame belts, beige	<a href="#">776802</a>	56,53 €	gurt	Set strap belts f.softtop, black, R113 & W107	<a href="#">276771</a>	41,65 €
gurt	Set strap belts f.softtop, beige, R113 & W107	<a href="#">276772</a>	71,39 €	gurt	Satz Spriegel-Gurtbänder schwarz	<a href="#">776701</a>	56,76 €
5	1 pair wires, S/T above side-window, like original	<a href="#">777890</a>	35,69 €	5	1 pair wires, S/T above side-window	<a href="#">777090</a>	24,00 €
6	wire, softtop rear ctre	<a href="#">777004</a>	19,00 €	8	Chrome screw M4, e.g. wire at canvas	<a href="#">277052</a>	1,79 €
9	escutcheon e.g. screw 277052, ..	<a href="#">277053</a>	3,02 €	10	Rear wind., mid rr. clear	<a href="#">777250</a>	60,69 €
10	Rear wind., mid rr. col.	<a href="#">777251</a>	63,07 €	11	Rear wind., Rt. rr. clear	<a href="#">777240</a>	26,95 €
11	Rear wind., Rt. rr. col.	<a href="#">777241</a>	25,59 €	11	softtop-windows set, color green	<a href="#">777355</a>	129,95 €
11	softtop-windows set, clear	<a href="#">777255</a>	141,51 €	20	Seal, front, soft/hard top	<a href="#">779010</a>	33,20 €
20	Seal, front, soft/hard top, Repro	<a href="#">779810</a>	18,54 €	21	Seal, soft top compt. lid	<a href="#">775060</a>	164,99 €
23	Seal strip @ softtop hood,left , Repro	<a href="#">777807</a>	19,12 €	23	Seal strip @ Softtop hood, Rt, Repro	<a href="#">777806</a>	19,12 €
23	Seal strip @ softtop hood L, Original	<a href="#">777107</a>	33,55 €	23	Seal strip @ Softtop hood, Rt Original	<a href="#">777106</a>	33,55 €
24	Gkt. R107 Softtop, upper Rt., original quality	<a href="#">772110</a>	45,90 €	24	Gkt. R107 Softtop, upper Lt.	<a href="#">772615</a>	30,49 €
24	Gkt. R107 Softtop, upper Lt., original quality	<a href="#">772115</a>	45,90 €	24	S/T seal upper RT, Repro, simplified, L = R	<a href="#">772835</a>	29,50 €
24	Gkt. R107 Softtop, upper Rt.	<a href="#">772610</a>	30,49 €	25	Gasket S/T to door glass rr LH repro	<a href="#">772845</a>	23,50 €
25	Seal, ST rear RH Repro	<a href="#">772840</a>	23,50 €	25	Gkt. R107 Softtop, rr.Rt.	<a href="#">772210</a>	30,35 €

25	Gkt. R107 Softtop, rr.Lt.	<a href="#">772215</a>	30,35 €	26	Grommet, softtop frame	<a href="#">777096</a>	2,73 €
29	Run-off hose (box drain)	<a href="#">779032</a>	9,39 €	33	Spring, Softtop SL107	<a href="#">777221</a>	26,00 €
34	Bolt M8 V8 early cross pipe frt exhaust	<a href="#">749348</a>	0,64 €	34	Distancer plate 1mm @ hinge	<a href="#">777289</a>	6,70 €
34	Grip washer M8	<a href="#">299274</a>	0,29 €	39	Washer, hood frame hinge	<a href="#">277019</a>	3,53 €
42	Bolt at softtop frame, 8x req. M8X1	<a href="#">298022</a>	7,32 €	45	Screw, softtop frame	<a href="#">798025</a>	7,98 €
46	Screw, softtop frame	<a href="#">798026</a>	10,60 €	47	Screw, softtop frame	<a href="#">798027</a>	5,16 €
49	Screw, softtop frame	<a href="#">798029</a>	8,50 €	52	Screw, softtop frame	<a href="#">798022</a>	6,03 €
53	Screw, softtop frame	<a href="#">798023</a>	5,33 €	54	bolt, frame, lower position	<a href="#">798024</a>	3,18 €
54	clamp for bolt 798024 SL10	<a href="#">798724</a>	0,95 €	66	Countersunk screw, rail/frame, M4x12	<a href="#">277027</a>	0,49 €
66	Countersunk screw M4 x 8 chrome eg lock esc	<a href="#">299042</a>	0,71 €	66	Flat headed screw M4x7 chrome	<a href="#">269243</a>	0,19 €
69	countersunk head tapping screw 3,5X13, sealing rail 230SL	<a href="#">272723</a>	0,13 €	75	Washer, hood frame hinge	<a href="#">777018</a>	24,98 €
75	Washer, hood frame hinge	<a href="#">777019</a>	6,19 €	75	Set 3-pcs crank+lever+cushion, Repro	<a href="#">777825</a>	138,87 €
80	Lock, softtop or hardtop, RH	<a href="#">277020</a>	235,14 €	81	Underlay, distancer, roof lock	<a href="#">277815</a>	4,02 €
82	Buffer ring on lock	<a href="#">277018</a>	2,65 €	82	rubber ring at windscreen frame	<a href="#">777015</a>	2,63 €
83	leatherbag for chrome handle black	<a href="#">258802</a>	28,62 €	83	2x roof handle R107 late or replacing earlier	<a href="#">777046</a>	74,60 €
83	leatherbag for chrome handle cognac	<a href="#">258804</a>	28,62 €	83	leatherbag for chrome handle red	<a href="#">258803</a>	28,62 €
87	wire softtop compt.	<a href="#">775859</a>	83,00 €	88	del.-t.Grommet, rear hood lock	<a href="#">798766</a>	3,34 €
90	Wind mesh "Weyer" R107 with rear seats	<a href="#">786806</a>	269,89 €	90	Wind mesh "Weyer" R107 280-500SL, 2-seater	<a href="#">786805</a>	279,65 €
90	Adapter pair for Oris-windmesh	<a href="#">786104</a>	83,75 €	90	Wind mesh "Weyer" R107 280-500SL, 2-sea	<a href="#">786807</a>	601,39 €
91	Clip, rbr-profile to rails	<a href="#">272729</a>	2,56 €	147	round cover above fuel sender,Repro	<a href="#">247814</a>	5,20 €

## 77.c Softtop Hood

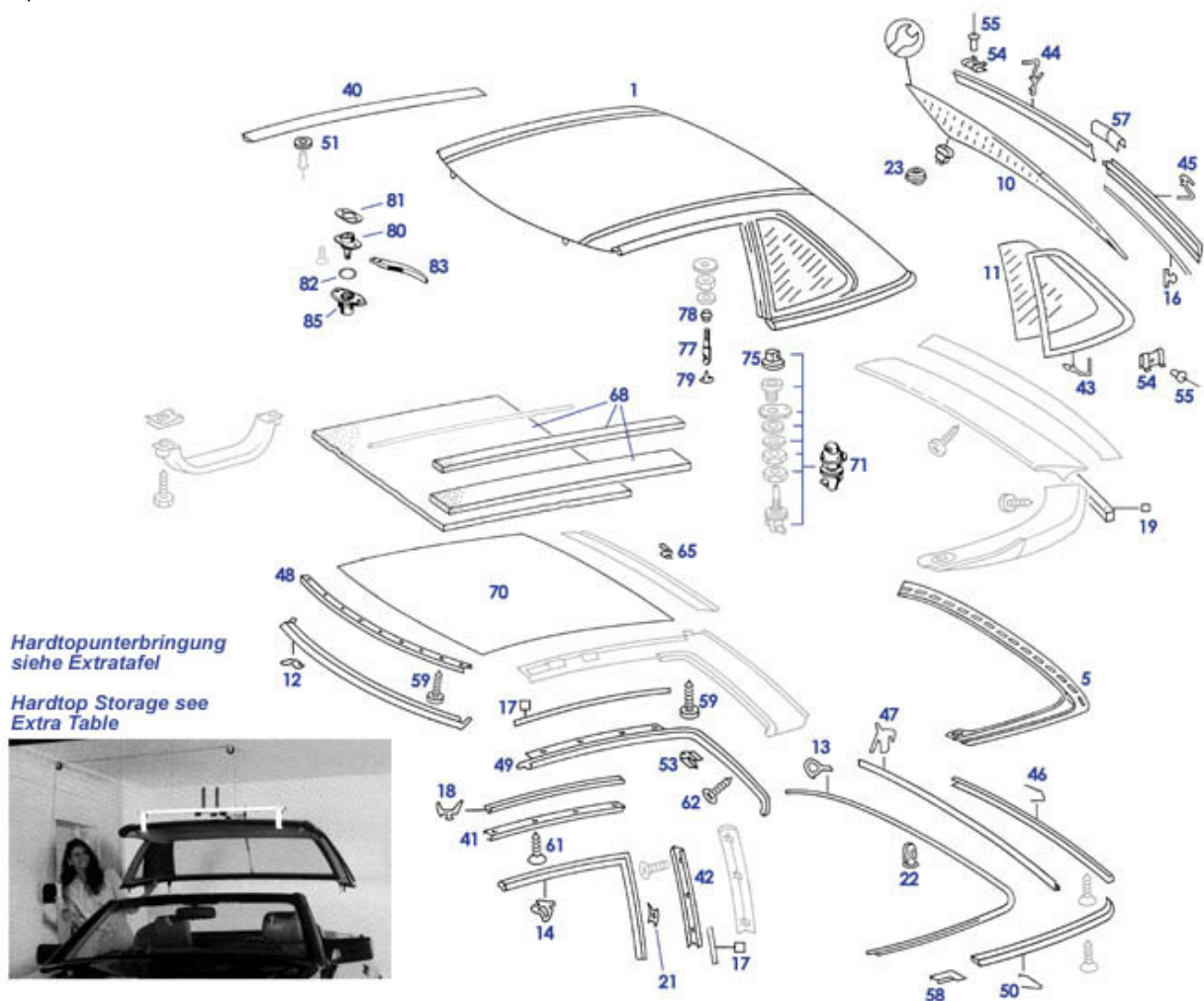
77.c Softtop Hood



bl-cl	S/t. hood R107 bl/bl/clear	<a href="#">776301</a>	809,90 €	bei-cl	Softtop hood R107 brown/creme premium	<a href="#">776530</a>	879,89 €
bl-cl	Verdeckbezug R107 aignerrot/sw/klar	<a href="#">776441</a>	899,99 €	bl-col	Verdeckbezug R107 aignerrot/sw/color	<a href="#">776443</a>	899,99 €
bei-cl	Softtop hood R107 black/creme premium	<a href="#">776500</a>	1.050,00 €	bl-cl	Softtop hood R107 black/black premium	<a href="#">776501</a>	1.099,99 €
bei-cl	Softtop hood R107 blue/creme premium	<a href="#">776520</a>	1.099,00 €	bl-cl	Softtop hood R107 blue/black premium	<a href="#">776521</a>	879,89 €
bl-cl	Softtop hood R107 brown/black premium	<a href="#">776531</a>	879,89 €	bl-col	Verdeckbezug R107 h.be/sw/colour	<a href="#">776393</a>	819,90 €
bei-cl	Softtop hood tan-dark/beige/clear -Prem	<a href="#">776580</a>	879,89 €	bei-cl	S/t. hood R107 p-be/be/clear	<a href="#">776730</a>	899,99 €
bei-cl	Verdeckbezug R107 creme/be/klar	<a href="#">776740</a>	819,90 €	bei-cl	S/t. hood R107 bl/be/clear	<a href="#">777000</a>	1.075,00 €
bei-cl	Set strap belts f.softtop, beige, R113 & W107	<a href="#">276772</a>	71,39 €	bl-cl	Set strap belts f.softtop, black, R113 & W107	<a href="#">276771</a>	41,65 €
bei-cl	Verdeckbezug R107 k.bl/be/klar	<a href="#">776410</a>	899,99 €	bl-cl	Verdeckbezug R107 h.be/sw/klar	<a href="#">776391</a>	819,90 €
bei-col	S/t. hood R107 bl/be/coloured	<a href="#">776302</a>	809,90 €	bl-cl	S/t. hood R107 d.br/bl/clear	<a href="#">776331</a>	819,90 €
bl-col	S/t. hood R107 bl/bl/coloured	<a href="#">776303</a>	809,90 €	bei-cl	S/t. hood R107 d.blu/be/clear	<a href="#">776320</a>	809,90 €
bl-cl	S/t. hood R107 d.blu/bl/clear	<a href="#">776321</a>	809,90 €	bei-col	S/t. hood R107 d.blu/be/col.	<a href="#">776322</a>	809,90 €
bl-col	S/t. hood R107 d.blu/bl/coloured	<a href="#">776323</a>	809,90 €	bei-cl	S/t. hood R107 d.br/be/clear	<a href="#">776330</a>	899,99 €
bei-col	S/t. hood R107 d.br/be/coloured	<a href="#">776332</a>	819,90 €	bei-cl	S/t. hood R107 Lt.be/be/clear	<a href="#">776390</a>	819,90 €
bl-col	S/t. hood R107 d.br/bl/coloured	<a href="#">776333</a>	819,90 €	bei-cl	S/t. hood R107 g.gr/be/clear	<a href="#">776350</a>	819,90 €
bei-cl	S/t. hood R107 Rt.br/be/clear	<a href="#">776360</a>	819,90 €	bl-cl	S/t. hood R107 maho/be/clear	<a href="#">776371</a>	899,99 €
bei-cl	S/t. hood R107 d.be/be/clear	<a href="#">776380</a>	819,90 €	bei-col	Verdeckbezug R107 d.be/be/col.	<a href="#">776382</a>	819,90 €

## 79 Hardtop

79 Hardtop





	Run-off hose (box drain)	<a href="#">779032</a>	9,39 €	10	Reproduction for SL 107, significant	<a href="#">779630</a>	321,00 €
10	HT rear glass, tinted, NON HEATED	<a href="#">779625</a>	208,25 €	12	apparent heater wires Seal, front, soft/hard top, Repro	<a href="#">779810</a>	18,54 €
12	Seal, front, soft/hard top	<a href="#">779010</a>	33,20 €	13	Seal H/T rear lower, Repro	<a href="#">779800</a>	63,74 €
14	hardtop seal right repro.	<a href="#">779825</a>	44,99 €	14	Gkt. over side wind. Rt.	<a href="#">779210</a>	61,59 €
14	Gkt. over side wind. Lt.	<a href="#">779215</a>	61,59 €	14	Seal over left window, Reproduction	<a href="#">779815</a>	44,99 €
16	1m rubber profile, window garnish trim	<a href="#">779030</a>	1,19 €	21	Clip, rbr-profile to rails	<a href="#">272729</a>	2,56 €
22	A0009900292 Rivet, plastic, window gask	<a href="#">799101</a>	0,49 €	23	Grommet, for wiring at heated rear window	<a href="#">798782</a>	3,34 €
51	Rubber washer, rear compt.	<a href="#">299036</a>	0,26 €	54	Clip Windscreen trims   A1079881578	<a href="#">767046</a>	1,39 €
55	Rivet, rear window drip strips	<a href="#">270691</a>	0,20 €	59	Screw 3,5 x 9,5, see picture	<a href="#">288081</a>	0,32 €
61	countersunk head tapping screw 3,5X13, sealing rail 230SL	<a href="#">272723</a>	0,13 €	62	panelling screw, phillips, chromed	<a href="#">268133</a>	1,32 €
75	Lock, upper part, separate	<a href="#">779801</a>	156,54 €	78	del.-t.:Grommet, rubber	<a href="#">798767</a>	4,25 €
80	Lock, softtop or hardtop, RH	<a href="#">277020</a>	235,14 €	80	Lock, soft top or hardtop LH	<a href="#">277010</a>	235,14 €
82	Buffer ring on lock	<a href="#">277018</a>	2,65 €	83	2x roof handle R107 late or replacing earlier	<a href="#">777046</a>	74,60 €
87	leatherbag for chrome handle black	<a href="#">258802</a>	28,62 €	87	leatherbag for chrome handle red	<a href="#">258803</a>	28,62 €
87	leatherbag for chrome handle cognac	<a href="#">258804</a>	28,62 €	798739	Spire nut for handle	<a href="#">798739</a>	0,45 €

## 79 a Hardtop Storage

79 a Hardtop Storage

**Hardtop-wagen**  
R113, R107, ...

Einfache Montage, schlagfeste Beschichtung (in weiß oder schwarz), robuste Rollen, arretierbar, solide Schaumpolster m.Filzschicht.

schwarz: Art. [779980](#)  
[779981](#)

dazu erhältlich:  
**Textilcover 779985**

## Hardtop-Unterbringung Garagenlifte Abstellwagen Staubhüllen

**Hardtop Storage**  
Hoists, Carts, Covers

**Hardtop-Cover Art. 779997**

2-teilige Hülle  
passend zum Garagenlift  
- einfache Montage (Klettverschluss)  
- das HT wird auch von unten umhüllt

**Garagenlift**

Traverse mit Regenrinnenhalter  
Gurt zur Absicherung  
Flaschenzug, Haken und Klammer  
R113 (230-280SL): Art. [279998](#)  
R/C107 (280-500SL): Art. [779998](#)

**orig. Garagenlift Art. 779999**

Mercedes-Benz Originalzubehör:  
Seilwinde mit Handkurbel,  
"T-Traverse" an Verschlüssen vorn  
und Haken unter Rahmen hinten

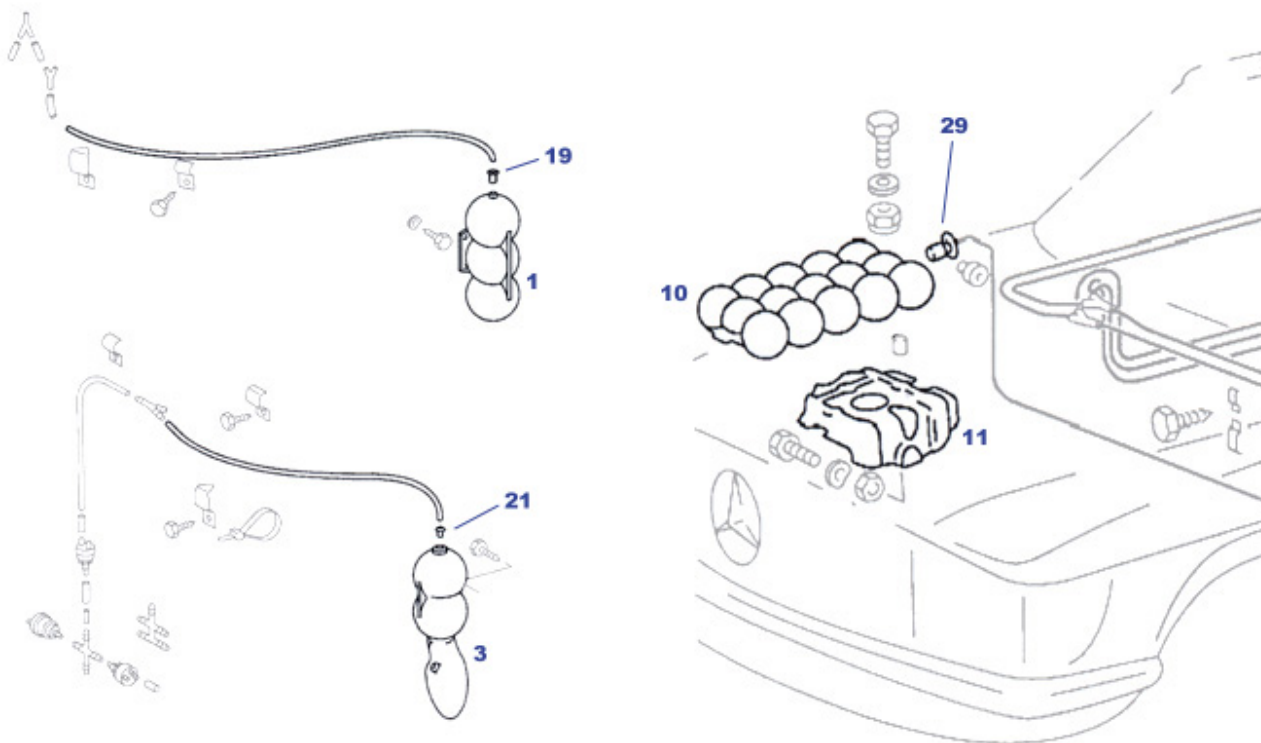
crate	Hardtop cart black, with dust cover fitting 113+107	<a href="#">779980</a>	219,00 €	crate	Hardtop cart, R107/113/129,no cover	<a href="#">779981</a>	199,99 €
hood	Cover (tan) for hardtop vehicle	<a href="#">779985</a>	76,99 €	ht-cover	Cover, grey, for HT-hoist	<a href="#">779997</a>	52,36 €



## 80 Vacuum System

### 80.a Vacuum Reservoirs

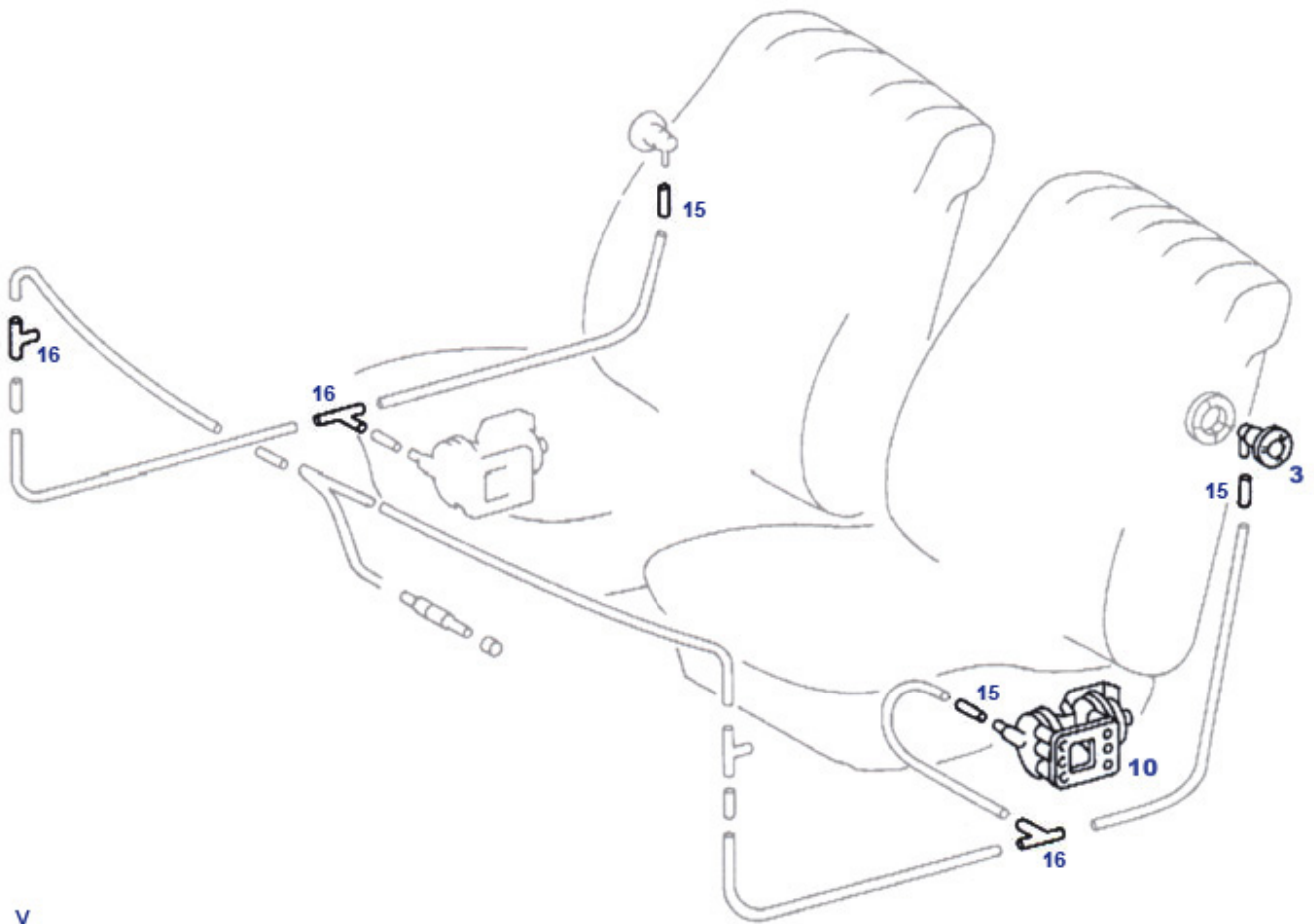
80.a Vacuum Reservoirs



pipe	1m vac pipe 3/5mm white	<a href="#">780901</a>	2,25 €	11	support, hidden vac bottle	<a href="#">780150</a>	17,58 €
15	1 mtr vacuum hose	<a href="#">780985</a>	3,39 €	16	Y-connector, unfinished: open channels as req.	<a href="#">707180</a>	4,01 €
17	X-connector, unfinished: open channels as req.	<a href="#">707181</a>	4,86 €	25	Unterdruckventil, 3 Anschl.	<a href="#">780971</a>	4,21 €
25	Vac Check valve 2 ports	<a href="#">780975</a>	4,76 €	25	Vacuum valve	<a href="#">780981</a>	14,99 €
39	Clamp small, e.g. bowden cable	<a href="#">199011</a>	5,58 €	39	Clamp, bulkhead	<a href="#">242058</a>	2,44 €
39	Clamp, expansion tank 6mm/9mm	<a href="#">247069</a>	9,70 €	39	Metal screw 4,2x13 SW7   N007976004203	<a href="#">299044</a>	0,44 €

### 80.g Vacuum seat locking

80.g Vacuum seat locking

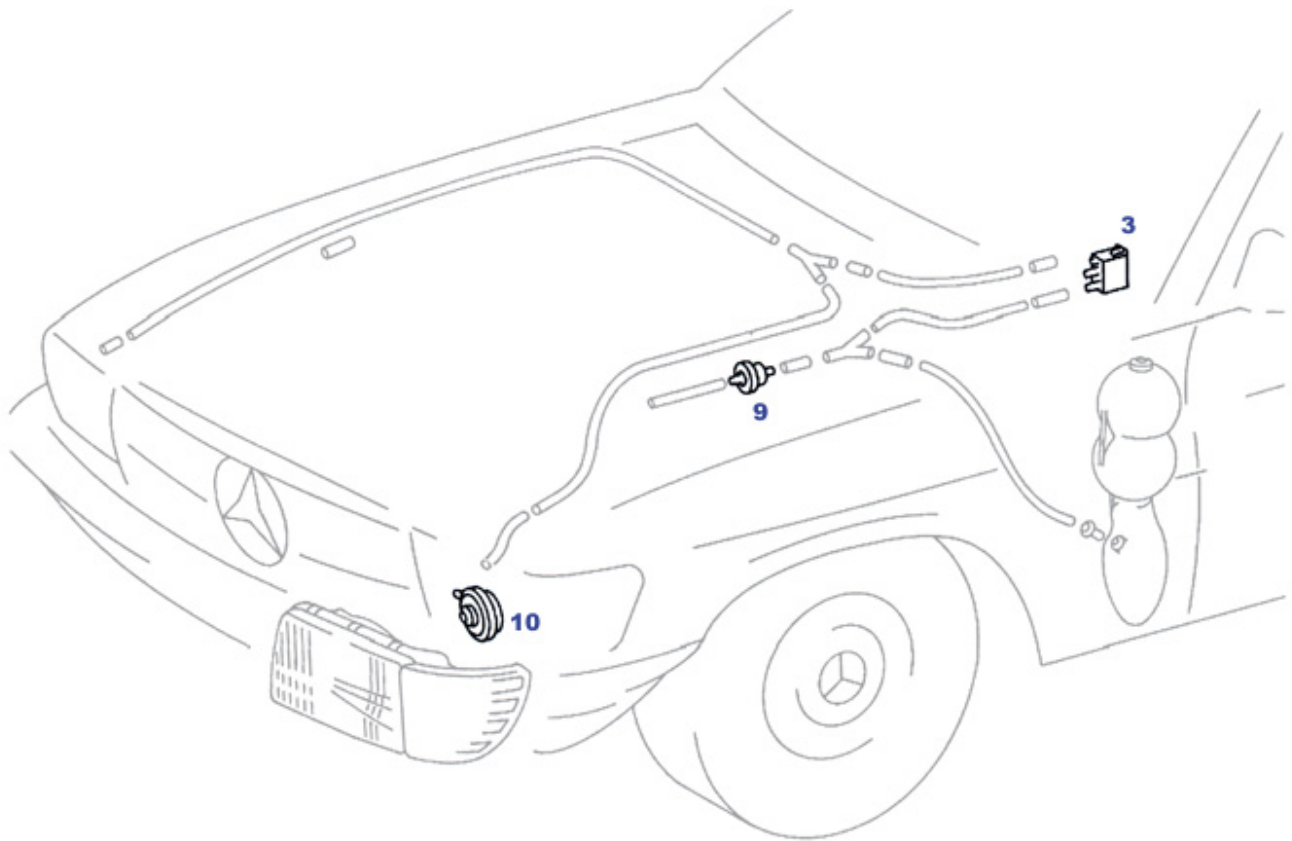


y

pipe	1m vac pipe 3/5mm white	<a href="#">780901</a>	2,25 €		Rest: Rbr bellow 50mm, vac element, early trunk	<a href="#">380880</a>	34,51 €
15	1 mtr vacuum hose	<a href="#">780985</a>	3,39 €	16	Y-connector, unfinished: open channels as req.	<a href="#">707180</a>	4,01 €

## 80.b Lighting distance control

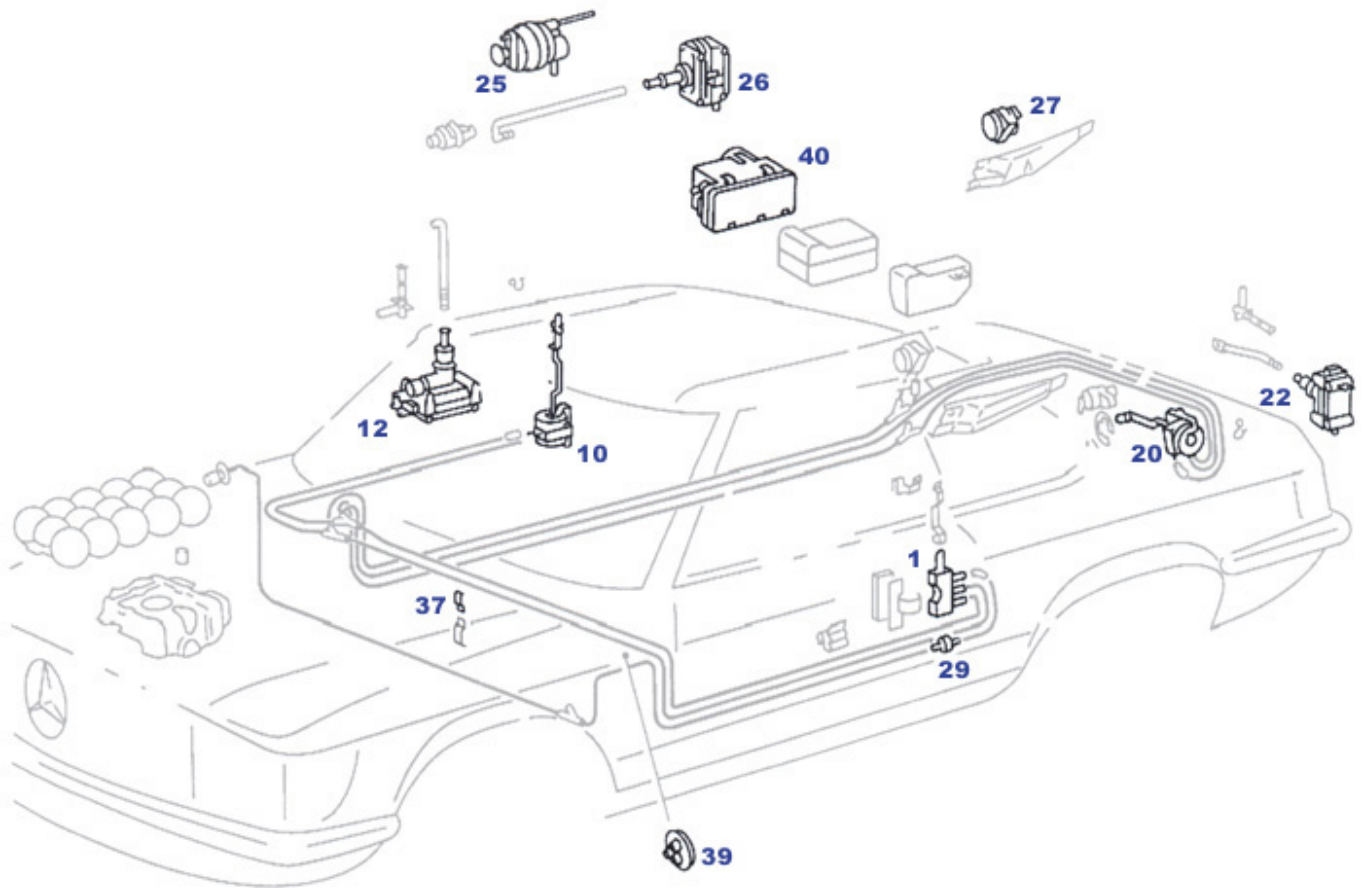
80.b Lighting distance control



pipe	1m vac pipe 3/5mm white	<a href="#">780901</a>	2,25 €	9	Vacuum valve	<a href="#">780981</a>	14,99 €
15	1 mtr vacuum hose	<a href="#">780985</a>	3,39 €	16	Y-connector, unfinished: open channels as req.	<a href="#">707180</a>	4,01 €

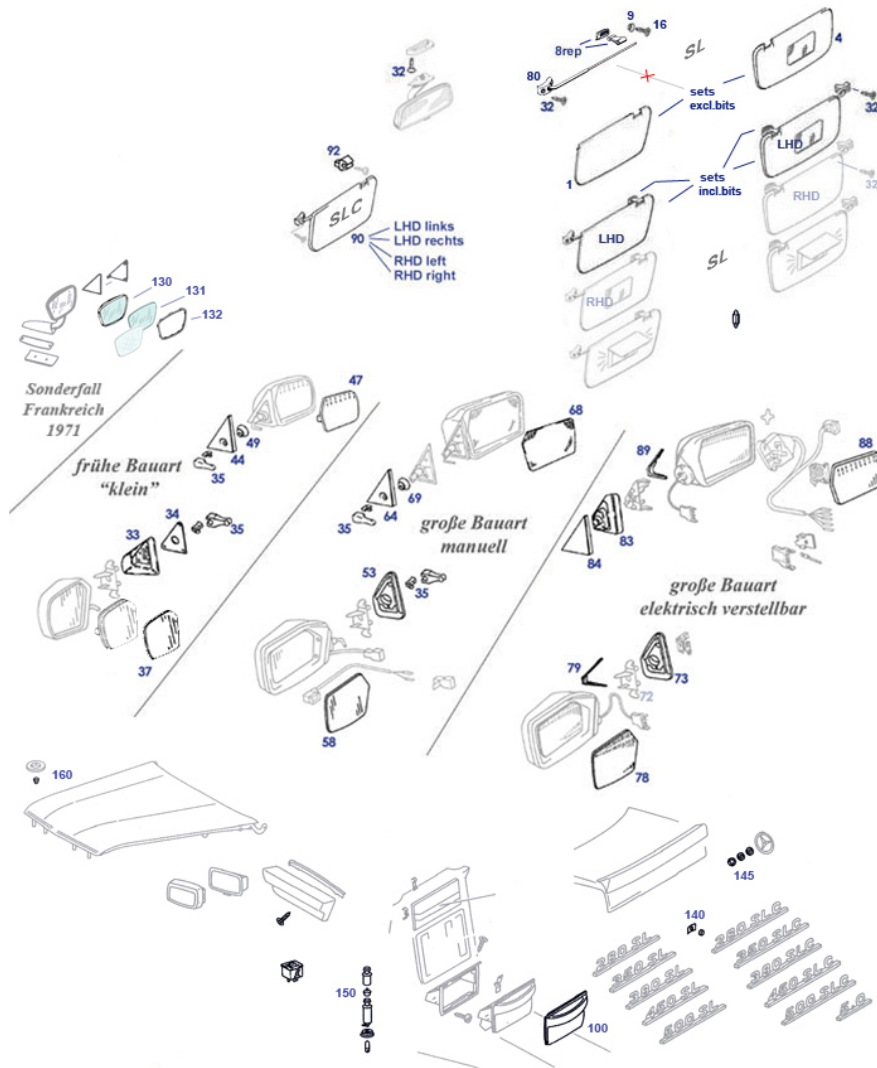
## 80.e Central locking, vacuum devices

80.e Central locking, vacuum devices



	Y-connector for vacuum pipe	<a href="#">707780</a>	2,93 €	pipe	Rubber sleeve, doors to pillar ->1985	<a href="#">780920</a>	5,21 €
	X-connector for vacuum pipe	<a href="#">707881</a>	1,90 €	pipe	del-t: protection hose ctrl lock vac, late doors 107	<a href="#">780921</a>	8,93 €
	Rest: Rbr bellow 50mm, vac element, early trunk	<a href="#">380880</a>	34,51 €		spring clip, linkage vac locking	<a href="#">780972</a>	2,61 €
pipe	1m vac pipe 3/5mm white	<a href="#">780901</a>	2,25 €	1	Vac. activator valve, ctrl-locks, drvdoo	<a href="#">780170</a>	71,03 €
10	Rbr bellow 50mm, vac element, early locking	<a href="#">780875</a>	17,85 €	20	Rod fits trunk actor	<a href="#">780889</a>	9,75 €
20	Cotter pin 1,6 x 16	<a href="#">780888</a>	0,12 €	20	Rbr bellow 44mm, vac element, early trunk	<a href="#">780880</a>	15,47 €
20	Mutter M2,5	<a href="#">799916</a>	0,12 €	20	Cotter pin 1,5 x 15	<a href="#">126824</a>	0,12 €
29	Vacuum valve	<a href="#">780981</a>	14,99 €	37	Clamp e.g. 6mm lines, wiring, ..	<a href="#">398047</a>	0,13 €

## 81 Equipment-Interior Appointments



	Set sunvisors SL LHD creme	<a href="#">781785</a>	236,81 €	incl.bits	Set sunvisors SL incl brackets LHD blue	<a href="#">781155</a>	399,99 €
	Set sunvisors SL LHD darkblue	<a href="#">781755</a>	236,81 €		adhesive label, symbol "critical accu height"	<a href="#">799950</a>	14,23 €
incl.bits	Set sunvisors SL incl brackets LHD Date/Saffron	<a href="#">781165</a>	414,00 €		complete screw set, chrome plated, R107, '72-'85	<a href="#">799333</a>	290,11 €
	Label "Danger High Voltage" D/EN/FR	<a href="#">799961</a>	16,31 €		Adhesive label "Hochspannung"	<a href="#">799946</a>	14,71 €
	complete screw set, chrome plated, R107, '85-	<a href="#">799334</a>	271,86 €		complete screw set, chrome plated, C107, all SLC models	<a href="#">799335</a>	296,44 €
incl.bits	Set sunvisors SL incl brackets LHD beig	<a href="#">781186</a>	356,99 €	incl.bits	Set sunvisors SL incl brackets LHD beig	<a href="#">781187</a>	356,99 €
incl.bits	Set sunvisors SL incl brackets LHD blac	<a href="#">781195</a>	399,99 €		Set sunvisors SL LHD beige	<a href="#">781765</a>	236,81 €
incl.bits	Set sunvisors SL incl brackets LHD col.cream	<a href="#">781185</a>	388,70 €	incl.bits	Set sunvisors SL incl brackets LHD grey	<a href="#">781175</a>	399,99 €
	As long as stock lasts! Sunvisor SL w/o brackets RH black	<a href="#">781192</a>	173,39 €		sheet angle stainless steel, fits R+L	<a href="#">772037</a>	21,21 €
1	sunvisor SL, without brackets, LH blue, without mirror	<a href="#">781751</a>	53,55 €	1	As long as stock lasts ! Sunvisor SL w/o brackets LH blue	<a href="#">781151</a>	173,39 €
1	As long as stock lasts! Sunvisor SL w/o brackets LH grey	<a href="#">781173</a>	194,99 €	1	sunvisor SL, without brackets, LH, light brown, without mirror	<a href="#">781801</a>	53,55 €
1	As long as stock lasts! Sunvisor SL w/o brackets LH creme	<a href="#">781123</a>	178,50 €	1	As long as stock lasts! Sunvisor SL w/o brackets LH black	<a href="#">781191</a>	163,18 €
1	sunvisor SL LH, without brackets, dark brown, without mirror	<a href="#">781881</a>	53,55 €	1	Sunvisor SL without brackets, LH, grey, without mirror	<a href="#">781873</a>	53,55 €
1	Sunvisor SL w/o brackets LH black,	<a href="#">781891</a>	53,55 €	4	sunvisor SL, without brackets, RH,	<a href="#">781802</a>	53,55 €

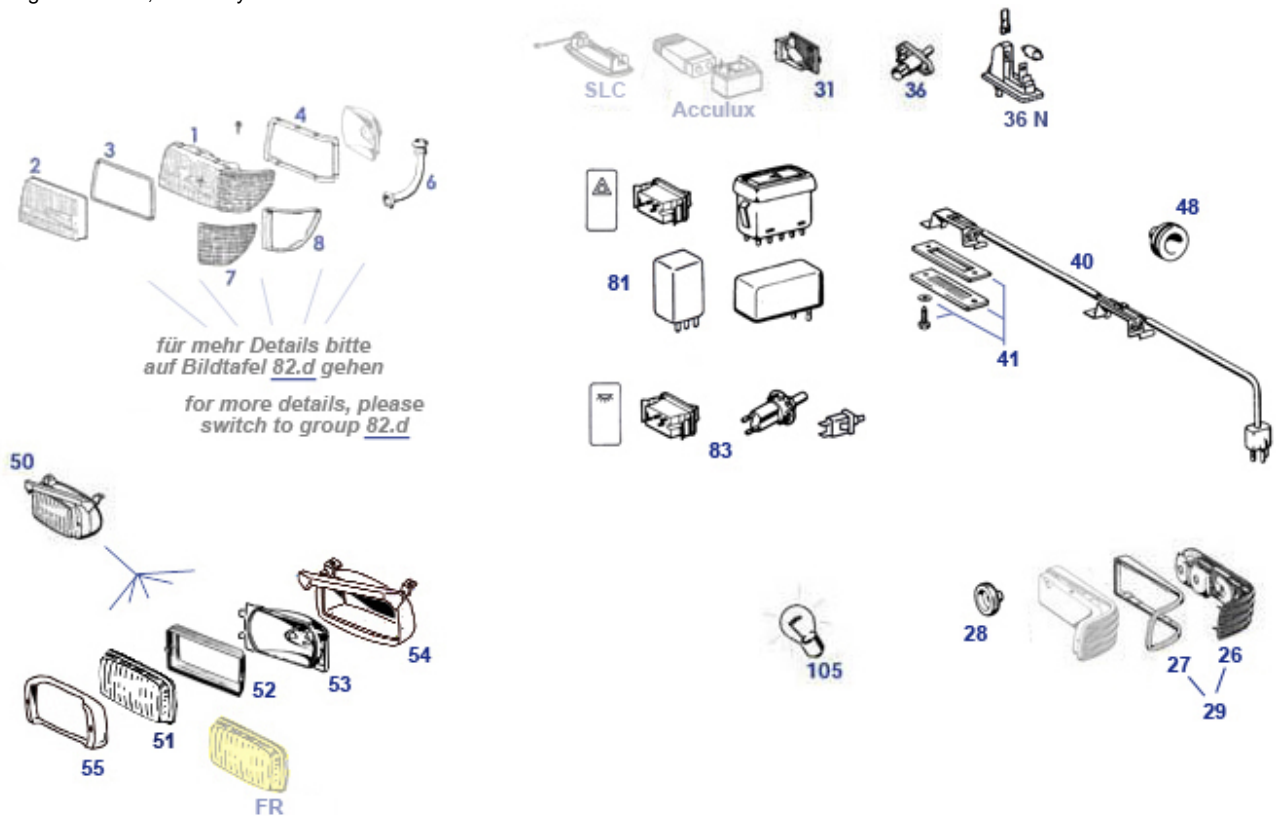


4	no mirror sunvisor SL RH without brackets, dark brown, with mirror	<a href="#">781882</a>	53,55 €	4	light brown, with mirror Sunvisor SL without brackets RH grey, with mirror	<a href="#">781874</a>	53,55 €
4	Sunvisor SL w/o brackets RH black, w.mirror	<a href="#">781892</a>	53,55 €	4	sunvisor SL, without brackets,RH blue, with mirror	<a href="#">781752</a>	53,55 €
4	Sunvisor SL w/o brackets RH blue	<a href="#">781152</a>	173,39 €	4	As long as stock lasts! Sunvisor SL w/o brackets RH creme	<a href="#">781124</a>	183,95 €
4	As long as stock lasts! Sunvisor SL w/o brackets RH grey	<a href="#">781174</a>	194,99 €	8rep	N/A: Mounts 1 Visor, inner, dark blue, B-Quality	<a href="#">781501</a>	22,61 €
8rep	pin+bushing, sunvisor henna	<a href="#">781405</a>	14,99 €	8rep	pin+bushing, sunvisor grey	<a href="#">781404</a>	14,99 €
8rep	pin+bushing, sunvisor red	<a href="#">781407</a>	14,99 €	8rep	pin+bushing, sunvisor olive	<a href="#">781406</a>	14,99 €
8rep	pin+bushing, sunvisor cream	<a href="#">781403</a>	5,95 €	8rep	pin+bushing, sunvisor light brown	<a href="#">781402</a>	14,99 €
8rep	pin+bushing, sunvisor blue	<a href="#">781401</a>	5,95 €	8rep	pin+bushing, sunvisor black	<a href="#">781400</a>	5,95 €
37	mirror glass early lt.	<a href="#">781837</a>	17,85 €	47	mirror glass early rt	<a href="#">781847</a>	17,85 €
49	Rubber sleeve, adj. handle	<a href="#">781049</a>	2,11 €	50	Rest: Ext. mirror,LHD,Lt., lg. man.	<a href="#">781050</a>	249,90 €
58	mirror glass,LH, late version, colorless, with base plate,	<a href="#">781757</a>	26,78 €	58	mirror glass,LH, late version, blue colored, with base plate,	<a href="#">781157</a>	29,99 €
68	mirror glass,RH, late version, blue colored, with base plate,	<a href="#">781168</a>	47,48 €	68	mirror glass,RH, late version, colorless, with base plate,	<a href="#">781768</a>	26,78 €
68	DIY mirr glass RH/LHD, late	<a href="#">781867</a>	15,41 €	80	visor rod w. metal bracket RH, unpainte	<a href="#">781514</a>	69,63 €
80	visor rod w. metal bracket LH, black	<a href="#">781511</a>	86,52 €	80	visor rod w. metal bracket RH, black	<a href="#">781512</a>	86,52 €
80	visor rod w. metal bracket LH, unpainte	<a href="#">781513</a>	69,63 €	100	10pcs wood set -> 1981 (LHD)	<a href="#">768119</a>	649,99 €
100	LHD root wood set 10pcs. until model yearr 1981	<a href="#">768120</a>	649,99 €	130	Mirror head '67->, LH, quality deficits, Repro	<a href="#">281851</a>	42,00 €
130	Mirror head '67->, RH, quality deficits, Repro	<a href="#">281852</a>	32,50 €	131	Mirror glass, flat, tinted, fits late m	<a href="#">281061</a>	23,80 €
132	Ring, glass retention, 1967-> (trapez)	<a href="#">281062</a>	16,66 €	140	O-Ring blk rubber, eg Type signs	<a href="#">281027</a>	0,13 €
140	Clip, 'Automatic'	<a href="#">281024</a>	0,20 €	145	Grommet for Mercedes Star at boot lid   1985 ->	<a href="#">798756</a>	0,50 €
145	Washer 8,4mm, standard, yellow zined	<a href="#">299326</a>	0,11 €	145	Rubber washer	<a href="#">175012</a>	1,11 €
145	Nut M8	<a href="#">142155</a>	0,50 €	150	Spiral element, fits genuine cigar lighter	<a href="#">154049</a>	18,49 €
150	universal cigar lighter	<a href="#">982047</a>	34,51 €	150	Light bulb 12V/2W, BA7s	<a href="#">299079</a>	1,99 €
299098	Bulb 12V / 5W, torpedo, total length 38	<a href="#">299098</a>	1,54 €	799928	Screw, interior mirror	<a href="#">799928</a>	0,50 €

## 82 Lighting Installation

### 82.b Lighting Installation, summary

82.b Lighting Installation, summary

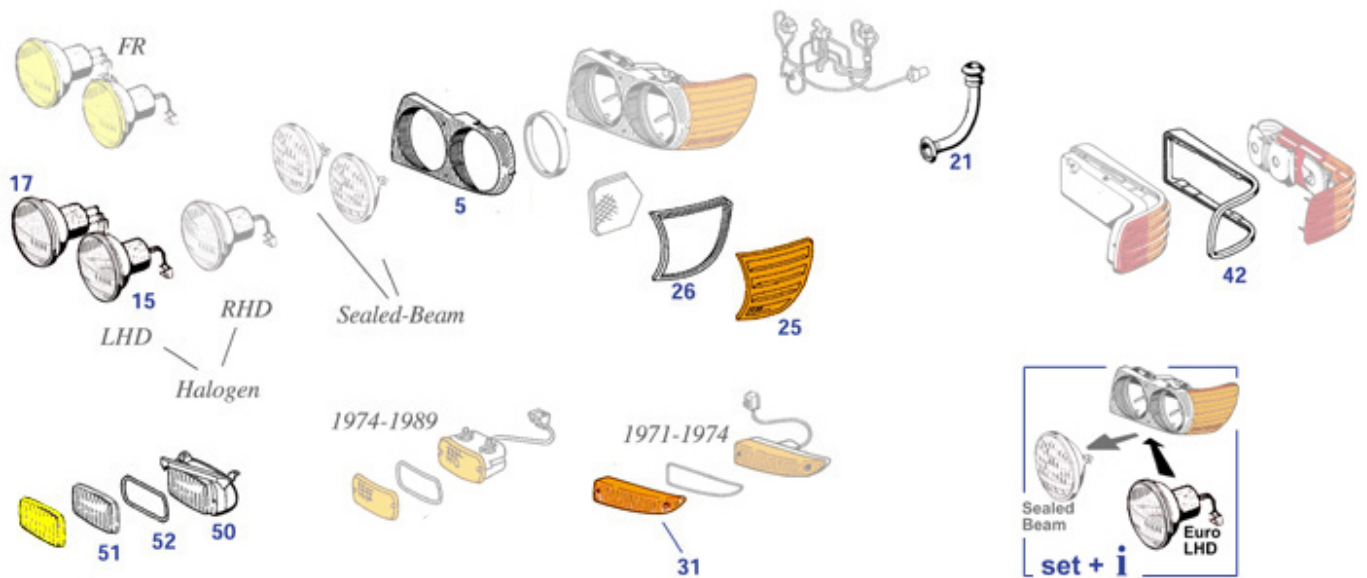


bits	plastic rivet, headlights (EU) to fender	<a href="#">799091</a>	3,33 €		8-pole housing (plastic base & cap), no metal bushings	<a href="#">254181</a>	8,69 €
bits	Screw, e.g. lic-lamp	<a href="#">982358</a>	0,20 €	bits	PA washer M4 x 9	<a href="#">982359</a>	0,12 €
	El. switch, power window, 1x, Repro, 4-pole	<a href="#">782877</a>	69,90 €		Seal, tail lamp LH, reproduction	<a href="#">782655</a>	95,00 €
lens	lens, lic-plate-light	<a href="#">782354</a>	17,85 €		Seal, tail lamp RH, reproduction	<a href="#">782665</a>	65,45 €
	screw for electric set mounting	<a href="#">782843</a>	0,31 €		Con.housing, 2 pole flat	<a href="#">254103</a>	0,54 €
bits	Spring Clips	<a href="#">682099</a>	2,94 €		Screw, M4X6 Phillips, e.g switch	<a href="#">799546</a>	0,24 €
	4-pole housing (plastic base & cap), no metal bushings	<a href="#">254883</a>	8,09 €		6-pole housing (plastic base & cap), no metal bushings	<a href="#">254180</a>	8,45 €
rbr	seal Lic-plate-light	<a href="#">782353</a>	3,76 €		Seal, indicator lens front left Euro	<a href="#">782611</a>	33,32 €
	LED P43t, lamps replacing H4	<a href="#">799191</a>	194,07 €		Halogen bulb H4 55/60 watts (P43t) OSRAM NBS	<a href="#">799290</a>	8,63 €
	2-pole housing (plastic base & cap), no metal bushings	<a href="#">254182</a>	7,97 €		contact bushing 4mm brass, silver plated	<a href="#">254855</a>	1,40 €
	Seal, indicator lens frt. RH Euro	<a href="#">782621</a>	33,32 €	1	Headlamp,RH, LHD, no vac adjustment	<a href="#">782540</a>	889,20 €
1	Headlamp,RH, LHD, with vac adjustment	<a href="#">782541</a>	946,59 €	1	Headlamp,LH, LHD, no vac adjustment	<a href="#">782530</a>	889,20 €
1	Headlamp,LH, LHD, with vac adjustment	<a href="#">782531</a>	946,59 €	2	Lens, RH, LHD, Euro-Headlamp	<a href="#">782802</a>	59,00 €
2	Lens, LH, LHD, Euro-Headlamp	<a href="#">782801</a>	59,00 €	2	Spring Clip, glass lens upper, Euro	<a href="#">782811</a>	4,38 €
4	Gasket,headlamp/wing, Rt., Repro	<a href="#">782545</a>	34,51 €	4	.Gasket,headlamp/wing, Lt., Repro	<a href="#">782535</a>	34,51 €
4	Gasket headlamp/wing LH Euro, orig-qual	<a href="#">782935</a>	69,91 €	4	Gasket,headlamp/wing, RH. orig-quality	<a href="#">782945</a>	69,91 €
4	Screw, e.g. Headlamp to Wing	<a href="#">788081</a>	0,88 €	4	Blechmutter zB Lampentopf, Heizungskast	<a href="#">788099</a>	0,55 €
5	Rubber bushing, reflector mounts	<a href="#">782807</a>	3,43 €	5	Rubber bushing at reflector	<a href="#">182807</a>	2,38 €
5	flex-shaft, head light adjuster	<a href="#">782810</a>	22,31 €	5	washer @ bolt height adjuster	<a href="#">799884</a>	0,77 €
5	Bolt at adjuster flex shaft	<a href="#">799883</a>	1,00 €	5	Small cup at spring adjuster screw	<a href="#">782809</a>	2,50 €
5	Coil spring fits adjuster bolts	<a href="#">782808</a>	1,54 €	5	rubber washer, adjuster bolts	<a href="#">782803</a>	0,77 €
5	Adjuster bolt	<a href="#">782806</a>	2,27 €	5	H4 Connector housg w.3x flag	<a href="#">282041</a>	5,83 €
					crimps		

5	Bracket, adjuster screw to reflector	<a href="#">782805</a>	5,94 €	5	small metal boot, adj. spring locking	<a href="#">282804</a>	1,19 €
5	Housing for Bilux/H4 connector	<a href="#">182042</a>	4,74 €	5	washer @ adjuster bolt	<a href="#">799882</a>	0,80 €
5	plastic washer at adjuster bolts	<a href="#">782804</a>	0,73 €	6	Protection sleeve, headlamp wiring, fits L or R	<a href="#">754046</a>	25,95 €
7	Amber dir. lens, Euro Headlight LH	<a href="#">782710</a>	99,96 €	7	Amber dir. lens, Euro-Headlamp RH	<a href="#">782720</a>	99,96 €
8	Seal, indicator lens frt. RH Euro	<a href="#">782121</a>	45,89 €	8	Seal, indicator lens front left Euro	<a href="#">782111</a>	45,89 €
26	Tail lamp lens RH, European, recommended Repro	<a href="#">782761</a>	245,00 €	26	Tail lamp lens LH, European, recommended Repro	<a href="#">782751</a>	245,00 €
27	Seal, tail lamp, RH, near to OE quality	<a href="#">782165</a>	145,00 €	27	Slim washer, taillights, steerg.,	<a href="#">346009</a>	3,30 €
27	Seal, tail lamp RH	<a href="#">782675</a>	53,55 €	27	Seal, tail lamp LH, too stiff reproduction	<a href="#">782685</a>	53,55 €
27	Seal, tail lamp, LH, near to OE quality	<a href="#">782155</a>	145,00 €	28	knurled nut plastic M6, with metal insert, black	<a href="#">782455</a>	0,84 €
31	Interior light without bulb, version'77	<a href="#">782829</a>	5,83 €	36	Spring clip for Rt.+Lt. cable	<a href="#">254071</a>	0,83 €
36	Trunk(boot) light and switch '59-'85	<a href="#">282022</a>	40,58 €	36	Bulb, e.g. trunk light	<a href="#">282033</a>	2,50 €
36N	Lamp holder trunk w/o switch	<a href="#">782822</a>	70,00 €	36N	crimp connector	<a href="#">997992</a>	0,43 €
36	bulb 12V 5W Ba15s socket	<a href="#">799189</a>	0,81 €	40	Licence plate light, to 08.85	<a href="#">782350</a>	32,45 €
48	Grommet 6/26	<a href="#">299819</a>	3,15 €	51	Lens, foglamps, "HALOGEN"	<a href="#">782330</a>	99,66 €
51	Lens, fog lamp, export version (SAE)	<a href="#">782732</a>	89,00 €	51FR	Rest: Yellow lens (FR), Fog lamps	<a href="#">782331</a>	53,55 €
52	Fog lens chrome rim	<a href="#">782836</a>	38,09 €	52	Rubber seal fog light	<a href="#">782832</a>	23,65 €
53	Reflector fog light L/R	<a href="#">782835</a>	55,17 €	54	1 pce bracket, fog lamp	<a href="#">782733</a>	7,54 €
54	Right Housing w/ brackets	<a href="#">782834</a>	58,46 €	54	Left Housing w/ brackets	<a href="#">782833</a>	58,46 €
54	3,9mm insulated crimp bullet	<a href="#">954091</a>	0,30 €	54	3,9mm insulated crimp socket	<a href="#">954092</a>	0,30 €
55	1 bolt + 1 bushing, fog lamp bezel	<a href="#">782837</a>	3,75 €	81	Relay, indicator ->08.'77	<a href="#">782355</a>	73,57 €
81	universal flasher relay 12V 4x21W Bosch, flat pole	<a href="#">582070</a>	42,39 €	81	El. switch, hazard indicator	<a href="#">782359</a>	18,20 €
83	Door switch round pin connectors	<a href="#">282721</a>	82,26 €	83	Switch, flat connectors	<a href="#">282031</a>	10,21 €
83	el.switch, glovebox,bonnet...	<a href="#">782885</a>	3,26 €	105	Bulb, 55W H1, e.g. 113 if Halogen equipped	<a href="#">299090</a>	2,89 €
105	Glühlampe 12V 10W	<a href="#">799089</a>	0,44 €	105	Bulb 12V / 21W direction indicator	<a href="#">299085</a>	1,25 €
105	Bulb 1.2W, glass socket, switch-knob, cockpit	<a href="#">299097</a>	1,79 €	105	Bulb, 55W Halogen H3, fog light	<a href="#">299091</a>	4,52 €
105	Bulb 12V / 10W, torpedo, total length 44	<a href="#">299094</a>	0,51 €	105	Bulb, passenger compt. 3W, NoName	<a href="#">299096</a>	1,79 €
105	Bulb 12V / 5W, torpedo, total length 38	<a href="#">299098</a>	1,54 €	105	Bulb, parking light, 12V/4W, BA9S	<a href="#">299099</a>	1,39 €
105	Halogen bulb H4 55/60 watts (P43t)	<a href="#">799090</a>	3,78 €	105	Halogen bulb H4 55/60 watts (P43t) OSRA	<a href="#">799190</a>	3,43 €

## 82.c Lighting installation Export / US

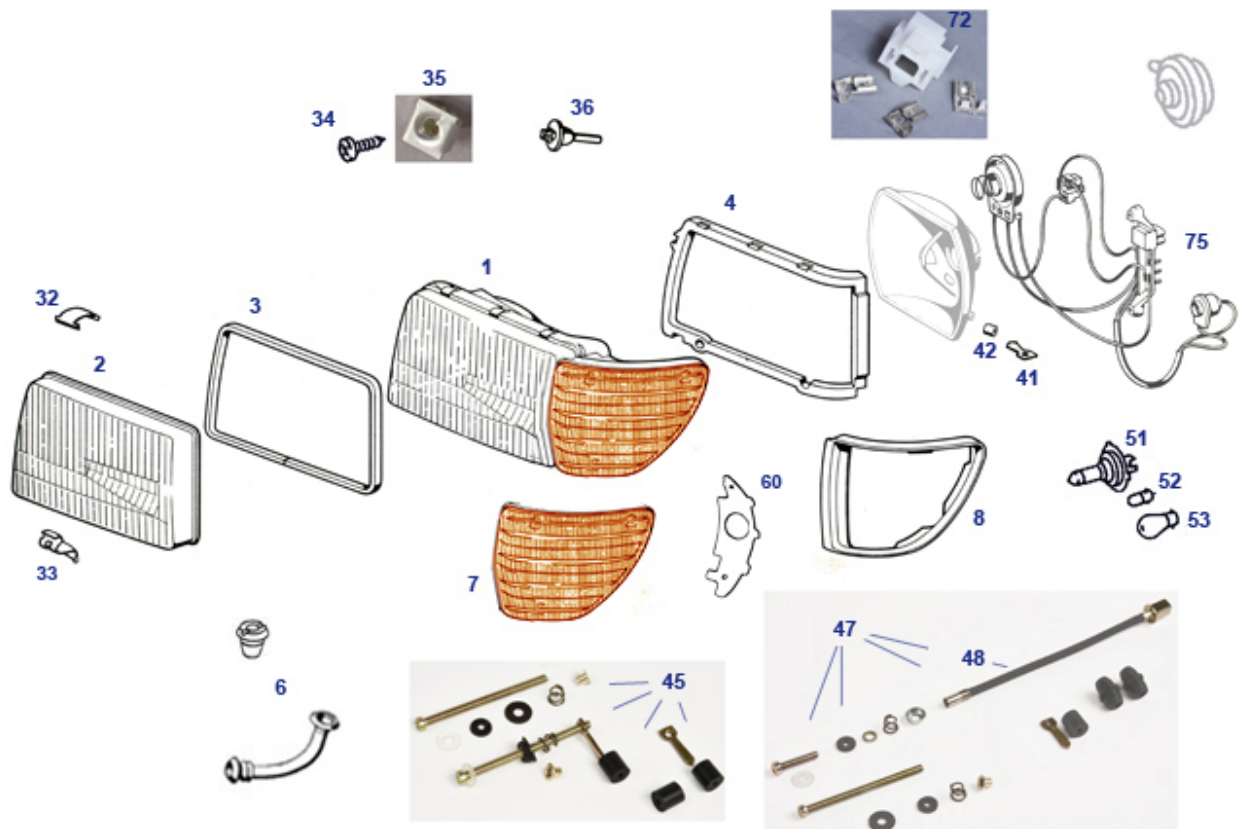
82.c Lighting installation Export / US



	plastic washer PA 3,2	<a href="#">882015</a>	0,15 €		el. bits for installation of H4 into US frame	<a href="#">782749</a>	7,44 €
	Euro H4 lamp insert, fits US frame,pict	<a href="#">782146</a>	39,98 €		Clock 380 SL, R107	<a href="#">799995</a>	289,99 €
5	Frame, US- headlights , left	<a href="#">782052</a>	145,00 €	5	Frame, h'lights, US, Rt.	<a href="#">782062</a>	145,00 €
15	Housing for Bilux/H4 connector	<a href="#">182042</a>	4,74 €	15	H4 Connector housg w.3x flag crimps	<a href="#">282041</a>	5,83 €
15	Euro H4 lamp insert, LHD, w.parking lamp option	<a href="#">782747</a>	36,50 €	15	Euro H4 lamp insert, fits US frame,pict	<a href="#">782645</a>	65,45 €
15	Euro H4 lamp insert, fits US frame,pict	<a href="#">782646</a>	65,34 €	15	LHD lamp insert 5-3/4" H4 w. park socket	<a href="#">782547</a>	23,74 €
20	Hex. socket head cap screw, low head, zinc plated M4X6	<a href="#">882013</a>	0,69 €	21	Protection sleeve, headlamp wiring, fits L or R	<a href="#">754046</a>	25,95 €
31	Glass, turn signal frt RH, US early	<a href="#">782067</a>	69,19 €	31	Glass, turn signal frt LH, US early	<a href="#">782057</a>	69,19 €
41	Rear light,USA -rear right side	<a href="#">782181</a>	446,25 €	41	A1078202766 Rear light,USA lt., rear	<a href="#">782171</a>	446,25 €
42	Seal, tail lamp, RH, near to OE quality	<a href="#">782165</a>	145,00 €	42	Seal, tail lamp, LH, near to OE quality	<a href="#">782155</a>	145,00 €
42	Seal, tail lamp LH, reproduction	<a href="#">782655</a>	95,00 €	42	Seal, tail lamp RH, reproduction	<a href="#">782665</a>	65,45 €
42	Slim washer, taillights, steerg,.	<a href="#">346009</a>	3,30 €	51	Lens, fog lamp, export version (SAE)	<a href="#">782732</a>	89,00 €
51FR	Rest: Yellow lens (FR), Fog lamps	<a href="#">782331</a>	53,55 €	52	1 bolt + 1 bushing, fog lamp bezel	<a href="#">782837</a>	3,75 €

## 82. Headlamp Euro H4 and Parts

82. Headlamp Euro H4 and Parts



Depending on the equipment of the dashboard, the headlight variants "with adjuster wheel for headlight range control" or "without adjuster wheel for headlight range control" must also be installed in the angular Europe design. The catalogued individual spare parts have corresponding designations for the respective type "with range adjustment (LWR)" or "without range adjustment (ohne/without LWR)", where this is relevant for compatibility. Unless otherwise indicated, the parts catalogued here are for right-hand traffic = left-hand drive, this applies to main reflectors, diffuser glasses and complete units. When dismantling the round US double lamps (= conversion), the headlight and wiring harness are required completely in the variant without LWR, no components of the US equipment fit on the Europa headlight (sockets, base plate, el-plug). Bulbs and rivets (36) please don't forget in case of conversion, there is an SLS video. <https://www.youtube.com/embed/97libl5LQII>

div	Rubber bushing at reflector	<a href="#">182807</a>	2,38 €		screw for electric set mounting	<a href="#">782843</a>	0,31 €
div	washer @ bolt height adjuster	<a href="#">799884</a>	0,77 €		see 282102	<a href="#">282002</a>	8,96 €
div	Small cup at spring adjuster screw	<a href="#">782809</a>	2,50 €	div	Coil spring fits adjuster bolts	<a href="#">782808</a>	1,54 €
div	Rubber bushing, reflector mounts	<a href="#">782807</a>	3,43 €	div	Adjuster bolt	<a href="#">782806</a>	2,27 €
div	Bracket, adjuster screw to reflector	<a href="#">782805</a>	5,94 €	div	plastic washer at adjuster bolts	<a href="#">782804</a>	0,73 €
div	rubber washer, adjuster bolts	<a href="#">782803</a>	0,77 €	div	washer @ adjuster bolt	<a href="#">799882</a>	0,80 €
div	Bolt at adjuster flex shaft	<a href="#">799883</a>	1,00 €		Lens, turn indicator, f/LH, Marelli	<a href="#">782120</a>	89,25 €
div	plastic washer 3,2 for electric set mounting	<a href="#">782873</a>	0,14 €		Seal, indicator lens front left Euro, Marelli	<a href="#">782721</a>	33,32 €
div	small metal boot, adj. spring locking	<a href="#">282804</a>	1,19 €		Seal, indicator lens front left Euro, Marelli	<a href="#">782711</a>	33,32 €
	Vac element, light adjuster	<a href="#">780722</a>	114,24 €		Lens, turn indicator, f/LH, Marelli	<a href="#">782110</a>	89,25 €
	Ground adapter cable, U.S.	<a href="#">782890</a>	12,79 €	1	Headlamp,RH, LHD, no vac adjustment	<a href="#">782540</a>	889,20 €
1	dismantling, types with lamp control			1	Headlamp,LH, LHD, with vac adjustment	<a href="#">782531</a>	946,59 €
1	Headlamp,LH, LHD, no vac adjustment	<a href="#">782530</a>	889,20 €	2	Lens, RH, LHD, Euro-Headlamp	<a href="#">782802</a>	59,00 €
1	Headlamp,RH, LHD, with vac adjustment	<a href="#">782541</a>	946,59 €	2	Lens, LH, LHD, Euro-Headlamp, Marelli	<a href="#">782701</a>	95,20 €
2	Lens, LH, LHD, Euro-Headlamp, Marelli	<a href="#">782701</a>	95,20 €	4	Lens, LH, LHD, Euro-Headlamp	<a href="#">782801</a>	59,00 €
2	Lens, LH, LHD, Euro-Headlamp	<a href="#">782801</a>	59,00 €	4	Gasket,headlamp/wing, Rt., Repro	<a href="#">782545</a>	34,51 €
4	Gasket,headlamp/wing, Rt., Repro	<a href="#">782545</a>	34,51 €	4	Gasket,headlamp/wing, LH Euro, orig-qual	<a href="#">782935</a>	69,91 €
4	Gasket,headlamp/wing, RH. orig-quality	<a href="#">782945</a>	69,91 €	6	Grommet 4/20mm, 1 hole, drain	<a href="#">399009</a>	1,71 €
6	Protection sleeve, headlamp wiring, fits L or R	<a href="#">754046</a>	25,95 €	7	Amber dir. lens, Euro-Headlamp RH	<a href="#">782720</a>	99,96 €

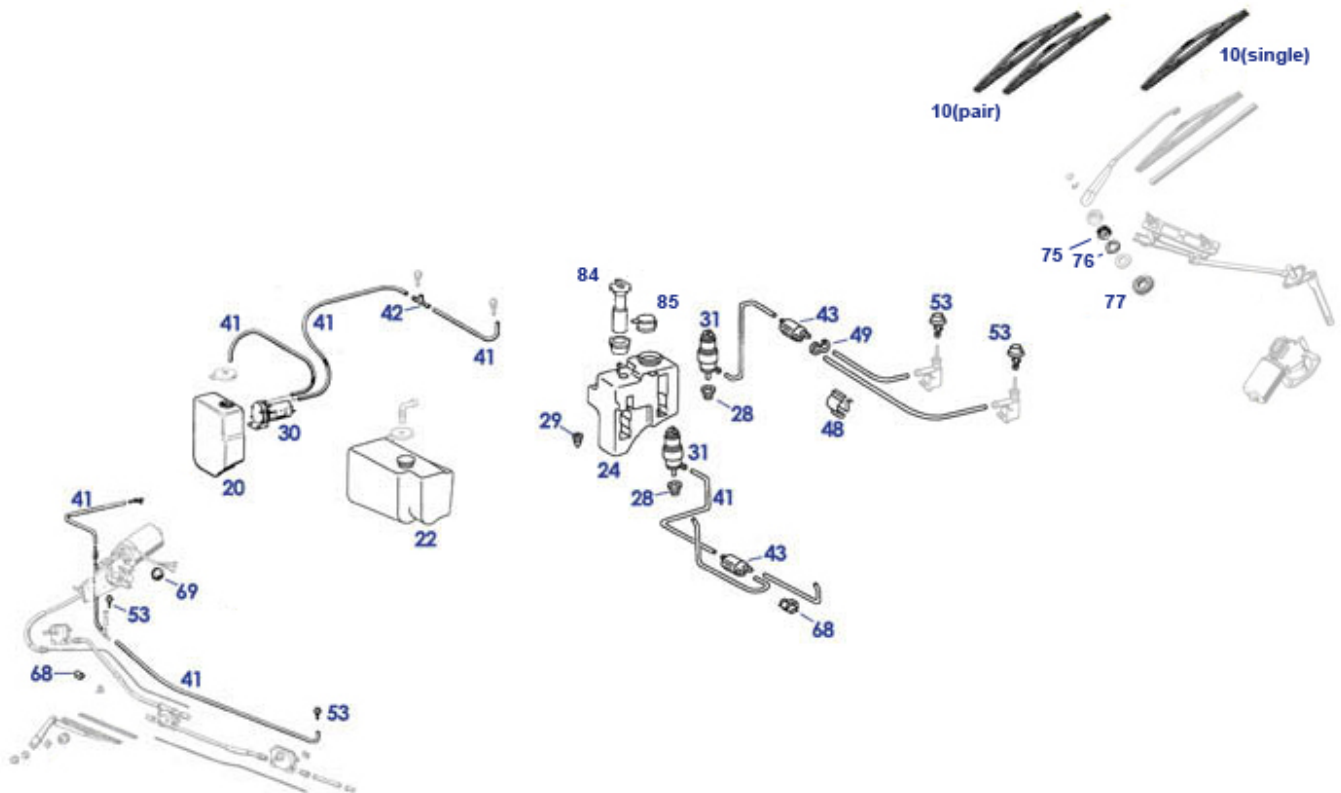


7	Amber dir. lens, Euro Headlight LH	<a href="#">782710</a>	99,96 €	8	Seal, indicator lens frt. RH Euro	<a href="#">782121</a>	45,89 €
8	Seal, indicator lens front left Euro	<a href="#">782111</a>	45,89 €	8	Seal, indicator lens front left Euro	<a href="#">782611</a>	33,32 €
8	Seal, indicator lens frt. RH Euro	<a href="#">782621</a>	33,32 €	32	Spring Clip, glass lens upper, Euro	<a href="#">782811</a>	4,38 €
33	Spring Clips	<a href="#">682099</a>	2,94 €	34	Screw, e.g. Headlamp to Wing	<a href="#">788081</a>	0,88 €
35	Blechmutter zB Lampentopf, Heizungskast	<a href="#">788099</a>	0,55 €	48	flex-shaft, head light adjuster	<a href="#">782810</a>	22,31 €
51	Halogen bulb H4 55/60 watts (P43t)	<a href="#">799090</a>	3,78 €	51	LED P43t, lamps replacing H4	<a href="#">799191</a>	194,07 €
51	Halogen bulb H4 55/60 watts (P43t) OSRAM NBS	<a href="#">799290</a>	8,63 €	51	Halogen bulb H4 55/60 watts (P43t) OSRA	<a href="#">799190</a>	3,43 €
52	Bulb, parking light, 12V/4W, BA9S	<a href="#">299099</a>	1,39 €	53	Bulb 12V / 21W direction indicator	<a href="#">299085</a>	1,25 €
60	Mirror for Dir-Flasher LH, European Headlamp	<a href="#">782753</a>	71,40 €	60	Mirror for Dir-Flasher RH, European Headlamp	<a href="#">782763</a>	71,40 €
72	H4 Connector housg w.3x flag crimps	<a href="#">282041</a>	5,83 €	80	1 mtr vacuum hose	<a href="#">780985</a>	3,39 €

## 82.b, 86 Wash and Wipe Assy Windscreen & Headlights

### 82.b, 86 Wash and Wipe Assy

82.b, 86 Wash and Wipe Assy

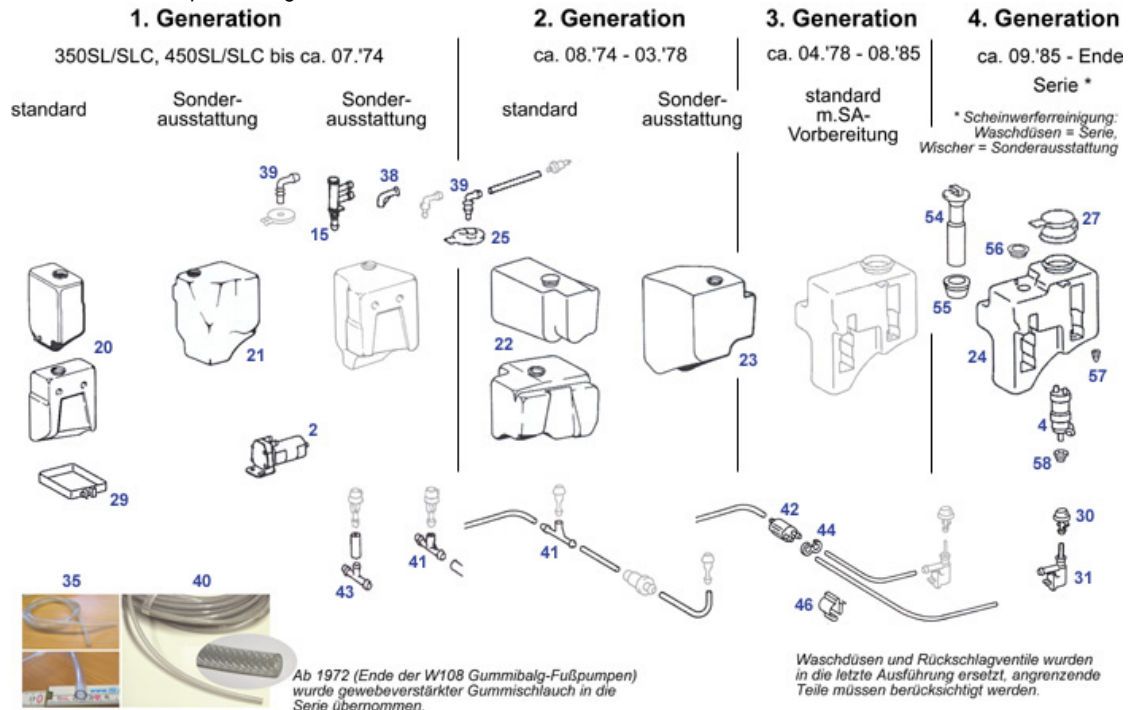


	hex. head tapping screw with cone end, zinc plated 4,8 X 19	<a href="#">799723</a>	0,19 €		with no rubber insert: cap, large	<a href="#">786827</a>	8,90 €
deck	Cap, washerfluid reservoir ->ca'78	<a href="#">786825</a>	14,10 €		Clip, see picture, Pls follow recommendation 254874	<a href="#">254774</a>	0,60 €
	clip, e.g. wire fixture 190SL, R113, R/C107	<a href="#">254874</a>	1,50 €		Rest: genuine cap 202 860 9369	<a href="#">786027</a>	7,50 €
deck	op, washerfluid reservoir.early	<a href="#">786025</a>	17,80 €		plug, plastic, closes 9.5mm holes	<a href="#">298688</a>	0,42 €
	Tank, screen washer 85-89, fits from 78 (add parts)	<a href="#">786824</a>	132,09 €		Tank, screen washer 85-89, fits from 78 (add parts)	<a href="#">786524</a>	132,09 €
	see 298688	<a href="#">298788</a>	0,40 €		Clip, similar 0009883478, hoses, wires	<a href="#">254075</a>	1,00 €
10-single	1 pce W'blade, 280-500SL, 350/450SLC FN	<a href="#">782230</a>	49,40 €	10-single	wiper blade 450mm, 1pc., stainless steel	<a href="#">782629</a>	19,98 €
10-pair	1 pair of 450mm blades, SWF, black!	<a href="#">782830</a>	20,78 €	19	Ring capsule seals wiber shafts	<a href="#">782244</a>	19,15 €
20	Washer reservoir early generation	<a href="#">786820</a>	48,43 €	22	Tank, screen washer Gen II, ca. '74->'78	<a href="#">786822</a>	149,94 €
24	Tank, screen washer 85-89, fits from 78 (add parts)	<a href="#">786624</a>	89,00 €	28	Tube grommet, pump to reservoir	<a href="#">798771</a>	0,50 €
29	Rbr plug 10mm	<a href="#">798781</a>	1,17 €	30	El. w'washer pump, 107 early, ... No Name brand	<a href="#">786802</a>	17,26 €
31	El. washer pump "@ reservoir hutch"	<a href="#">786804</a>	10,36 €	31	Electric windshield washer pump fits mould, NoName	<a href="#">786004</a>	10,71 €
41	Hose, w'washer, flex., per metre	<a href="#">186040</a>	1,84 €	41	Spring band hose clamp 8.4 - 9.0	<a href="#">786044</a>	0,65 €
41	Hose, w'washer, rein., per metre	<a href="#">786040</a>	2,50 €	42	'T' piece, w'washer hose/noz	<a href="#">786043</a>	1,32 €
43	Valve, no-return, w'washer 1in2	<a href="#">786042</a>	9,52 €	48	Omega clip 11,8mm, green	<a href="#">786045</a>	0,47 €
48	See new article number 254874   A0009883378, Clip	<a href="#">254074</a>	1,49 €	49	Clip fits 2 pipes ea 8mm	<a href="#">798177</a>	0,55 €
53	spray nozzle, repro	<a href="#">786730</a>	2,26 €	53	spray nozzle	<a href="#">786030</a>	10,25 €
68	Clip, cable	<a href="#">254073</a>	1,09 €	69	Grommet, 5/25, bulkhead	<a href="#">299012</a>	2,09 €
75	nut for wiper shaft supports	<a href="#">782245</a>	9,64 €	76	Shim, w' wiper shafts	<a href="#">282246</a>	0,77 €

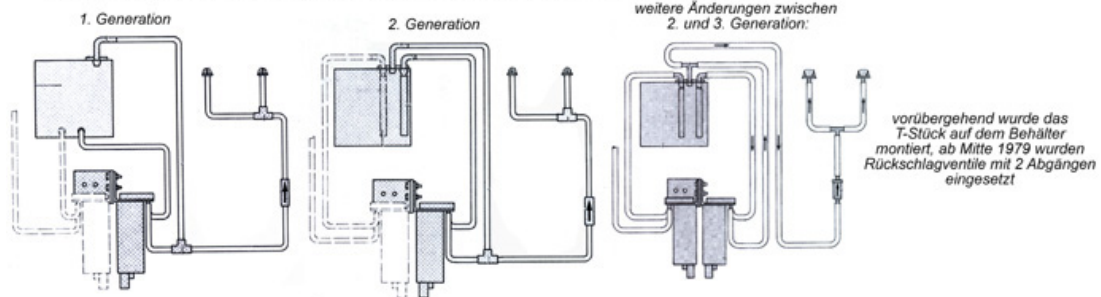
77	Rubber ring, repl., w/s wiper shaft	<a href="#">282247</a>	1,59 €	84	Universal Cap, yellow, 30++, fits washer bag instead sender	<a href="#">799869</a>	0,71 €
84	A1265401117	<a href="#">786054</a>	20,61 €	85	Lid wiper water tank, large version	<a href="#">786627</a>	4,50 €

## 86 Waschwasser Behälter, Pumpe, Leitungen, Düsen

86 Waschwasser Behälter, Pumpe, Leitungen, Düsen



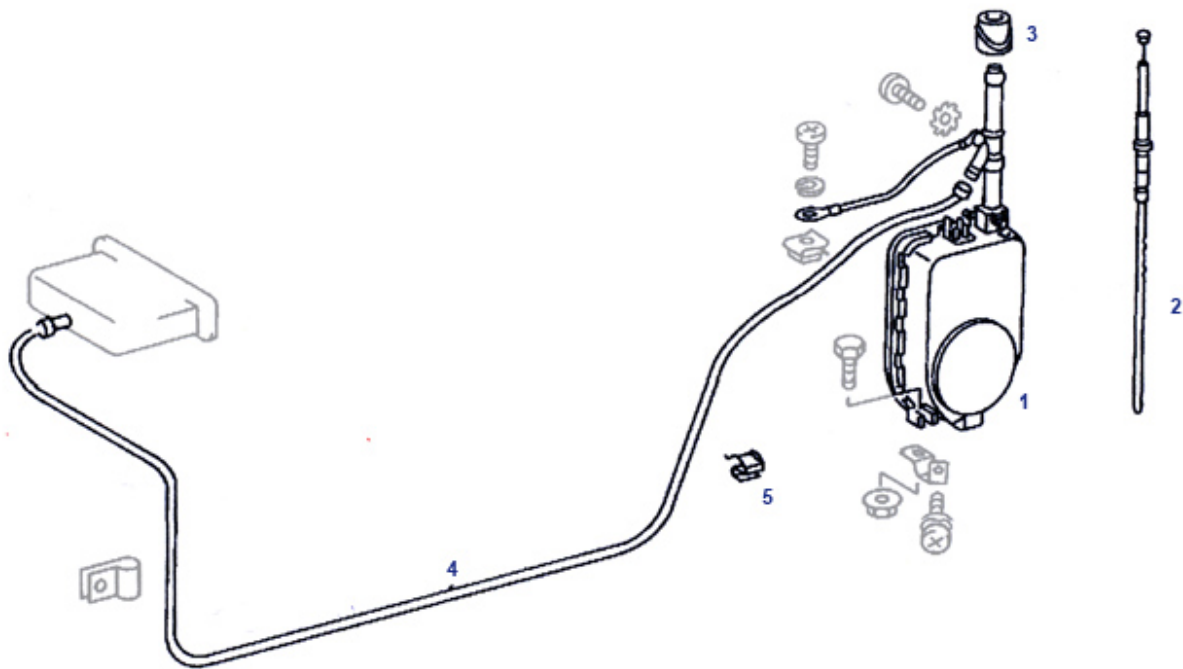
### Schlauchverlegung zu Scheinwerferdüsen mit T-Stück und Rückschlagventil gegen Nachtropfen



hex. head tapping screw with cone end, zinc plated 4,8 X 19	<a href="#">799723</a>	0,19 €	Rest: genuine cap 202 860 9369	<a href="#">786027</a>	7,50 €
Tank, screen washer 85-89, fits from 78 (add parts)	<a href="#">786524</a>	132,09 €	with no rubber insert: cap, large	<a href="#">786827</a>	8,90 €
plug, plastic, closes 9.5mm holes	<a href="#">298688</a>	0,42 €	clip, e.g. wire fixture 190SL, R113, R/C107	<a href="#">254874</a>	1,50 €
Clip, see picture, Pls follow recommendation 254874	<a href="#">254774</a>	0,60 €	Tank, screen washer 85-89, fits from 78 (add parts)	<a href="#">786824</a>	132,09 €
see 298688	<a href="#">298788</a>	0,40 €	Plug, 32mm, e.g. boot, ..Repro	<a href="#">268309</a>	1,81 €
2 El. w/washer pump, 107 early, ... No Name brand	<a href="#">786802</a>	17,26 €	4 Electric windshield washer pump fits mould, NoName	<a href="#">786004</a>	10,71 €
4 Spring band hose clamp 8.4 - 9.0	<a href="#">786044</a>	0,65 €	20 Washer reservoir early generation	<a href="#">786820</a>	48,43 €
22 Tank, screen washer Gen II, ca. '74->'78	<a href="#">786822</a>	149,94 €	25 op,washerfluid reservoir.early	<a href="#">786025</a>	17,80 €
25 Cap,washerfluid reservoir ->ca'78	<a href="#">786825</a>	14,10 €	27 Lid wiper water tank, large version	<a href="#">786627</a>	4,50 €
30 spray nozzle	<a href="#">786030</a>	10,25 €	30 spray nozzle, repro	<a href="#">786730</a>	2,26 €
35 Hose, w/washer, flex.,per metre	<a href="#">186040</a>	1,84 €	40 Hose, w/washer, rein.,per metre	<a href="#">786040</a>	2,50 €
42 Valve, no-return, w/washer 1in2	<a href="#">786042</a>	9,52 €	43 'T' piece,w/washer hose/noz	<a href="#">786043</a>	1,32 €
44 Clip fits 2 pipes ea 8mm	<a href="#">798177</a>	0,55 €	46 Omega clip 11,8mm, green	<a href="#">786045</a>	0,47 €
46 Clip, cable	<a href="#">254073</a>	1,09 €	46 Clip, similar 0009883478, hoses, wires	<a href="#">254075</a>	1,00 €

46	See new article number 254874   <a href="#">254074</a>	1,49 €	54	A1265401117	<a href="#">786054</a>	20,61 €	
56	A0009883378, Clip Rubber plug 32mm	<a href="#">398780</a>	1,44 €	56	Universal Cap, yellow, 30++, fits washer bag instead sender	<a href="#">799869</a>	0,71 €
57	Rbr plug 10mm	<a href="#">798781</a>	1,17 €	58	Tube grommet, pump to reservoir	<a href="#">798771</a>	0,50 €

## 82.e Antenna

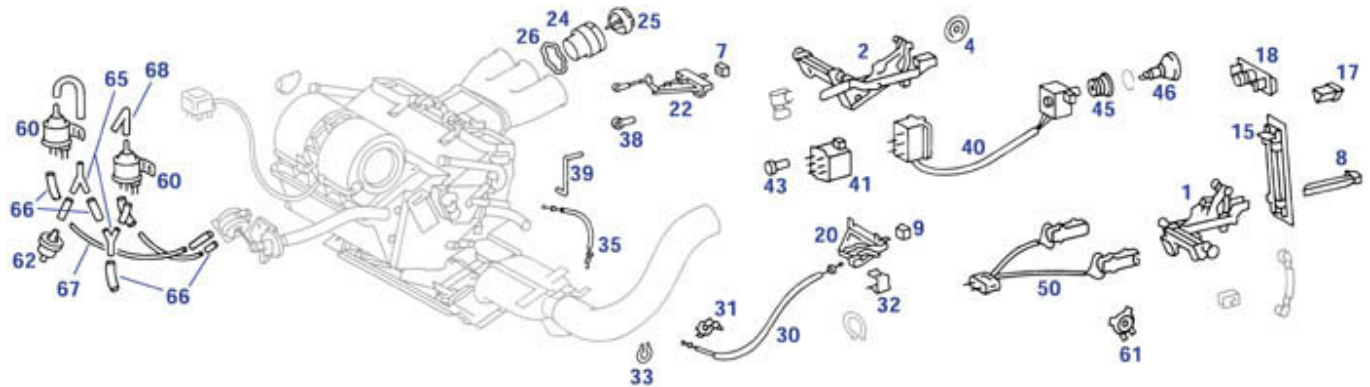


1	Power Antenna, kit with different grommets	<a href="#">599975</a>	94,01 €	1	Antenna, manual	<a href="#">599974</a>	29,75 €
2	Antenna insert 900mm	<a href="#">799970</a>	32,49 €	2	Antenna insert late style (toothed core)	<a href="#">799971</a>	24,00 €
2	Antenna insert 900mm	<a href="#">799870</a>	16,66 €	2	Antenna insert late style (toothed core)	<a href="#">799871</a>	16,66 €
3	grommet for Hirschman late "ball neck" antenna	<a href="#">799082</a>	4,12 €	4	Wire,"Hirschmann"antenna,1xnut- end,150c	<a href="#">999974</a>	22,96 €
4	Wire,"Hirschmann"antenna,1xnut- end,500	<a href="#">999975</a>	40,66 €	5	Clip, cable	<a href="#">254073</a>	1,09 €

## 83 Heater System

### 83.c Operation early Type

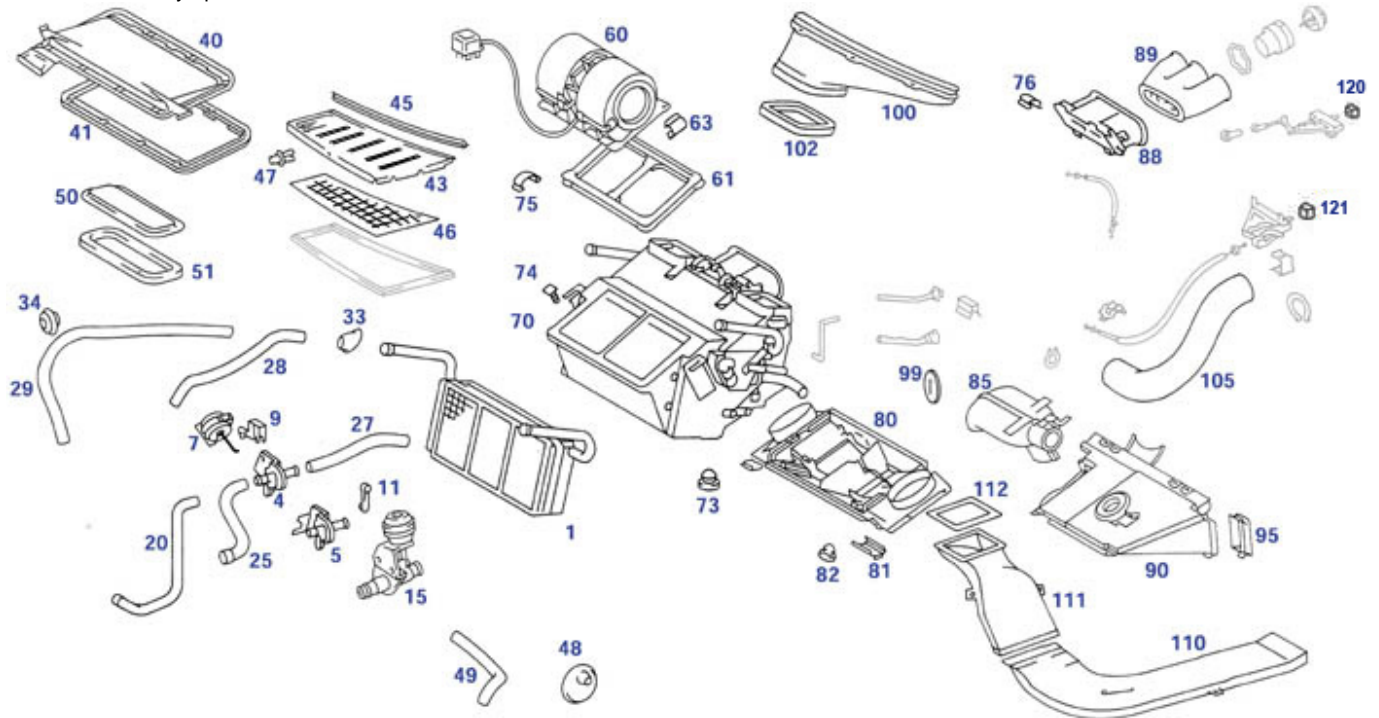
83.c Operation early Type



7	Lever handle, vent. ctr	<a href="#">783404</a>	12,14 €	8	Lever handle, heater control Genll, 4x req	<a href="#">783482</a>	10,21 €
9	Lever handle, vent. Rt.	<a href="#">783406</a>	12,14 €	9	Lever handle, vent. Lt.	<a href="#">783405</a>	12,14 €
15	A1078350521	<a href="#">783305</a>	226,09 €	15	A1078350621	<a href="#">783306</a>	184,99 €
17	Escutcheon,heatctrl.6.72->8	<a href="#">783309</a>	20,80 €	31	Escutcheon,heatctrl.6.72->8	<a href="#">775158</a>	3,57 €
32	Symbol label, heater adj. wheel	<a href="#">283034</a>	2,50 €	43	Clip, bowden cable	<a href="#">798769</a>	0,71 €
50	Clip, bowden cable/ctl.	<a href="#">754957</a>	7,93 €	50	rubber grommet	<a href="#">754956</a>	0,54 €
50	part of housg. el connector, to 754955	<a href="#">754955</a>	3,75 €	60	contact pin 4mm brass silver plated	<a href="#">780054</a>	53,40 €
50	Part of housg. 2-pole connector w.nose	<a href="#">780981</a>	14,99 €	65	EI. vacuum control valve	<a href="#">707180</a>	4,01 €
62	Vacuum valve	<a href="#">780985</a>	3,39 €	65	Y-connector, unfinished: open channels as req.	<a href="#">707182</a>	3,87 €
66	1 mtr vacuum hose			68	Vac hose, 'L'-connector, 3mm		

### 83.d Radiator Assy up to 08.'81

83.d Radiator Assy up to 08.'81



Water and air ducting, series, until 08.'81: Water valve vacuum-mechanical and installed on the left (applies to LHD and RHD). Old original features (blower motor with connected series resistor, vacuum valve types) are subject to replacement and simplification, or repairs must be

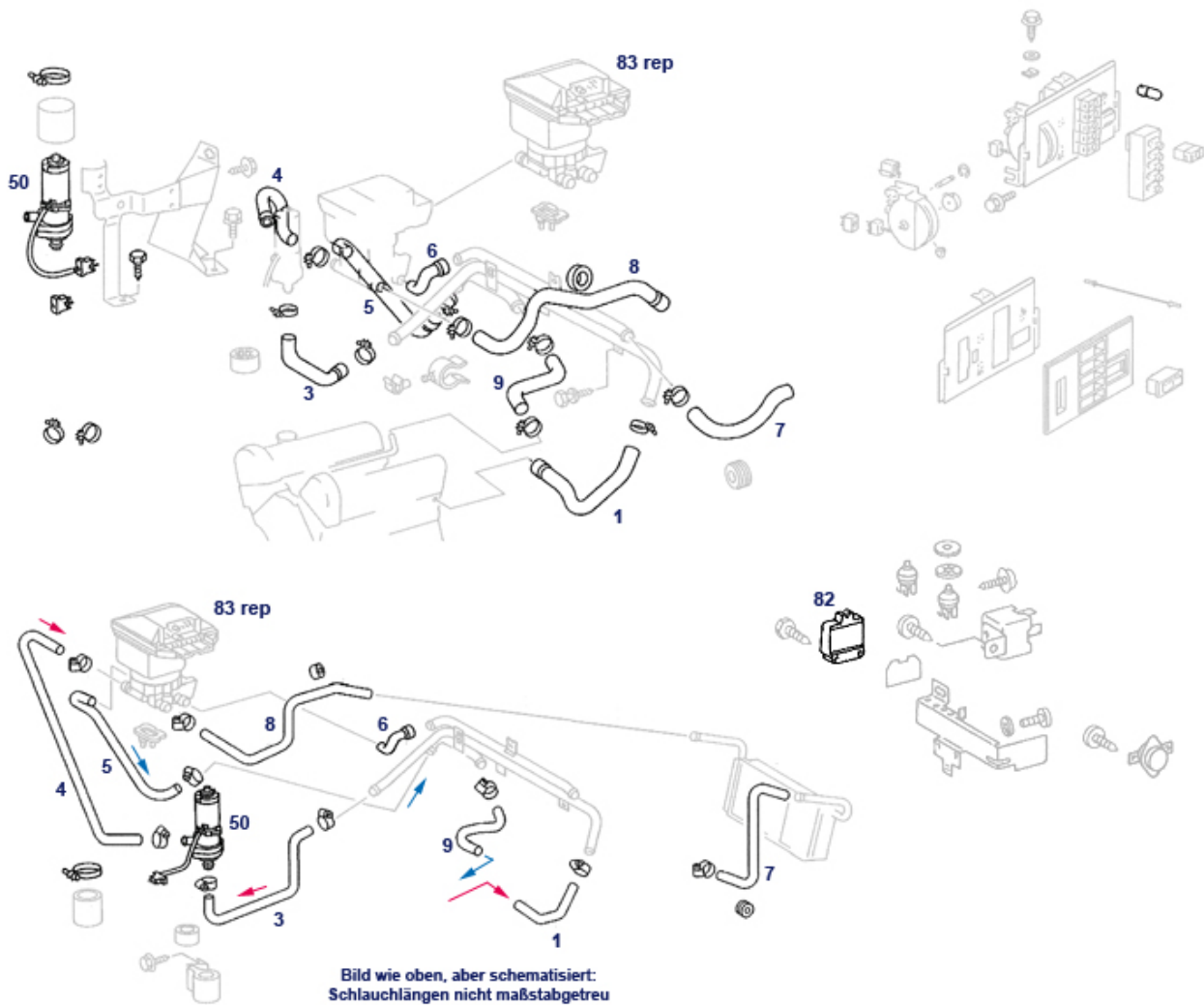


planned separately for individual parts: please refer to the photos of the available spare parts.

	1m cooling water hose 12/19mm	<a href="#">250823</a>	7,14 €		Rubber buffer	<a href="#">798845</a>	0,79 €
	Hose, heater feed pipe to el.pump, 450from, 380up-to radiator hose, 1988/1981 380 return to valve-unit	<a href="#">750893</a>	8,93 €		Hose, heater return to US valve-block unit 450+380->81	<a href="#">750894</a>	12,11 €
	Ornamental ring, air jet @dashboard 107, ..	<a href="#">750896</a>	18,16 €		radiator hose to eng return line	<a href="#">750890</a>	11,41 €
7	A1078002475 Vac Element e.g. heater ctrl FN	<a href="#">783068</a>	6,00 €	7	Vac-diaphragm, valve open housg	<a href="#">783146</a>	21,12 €
15	Heater valve w.vac unit 201, ...	<a href="#">780103</a>	226,10 €	7	Vac diaphragm, valve "closed housg"	<a href="#">783145</a>	19,99 €
20	Rad.hose htg. left - FN -	<a href="#">583045</a>	21,54 €	15	vacuum-heating regulating valve, universal	<a href="#">983040</a>	31,80 €
20	Rad.hose htg. left	<a href="#">750083</a>	28,00 €	20	Rad.hose htg. Lt. 2.8 FN	<a href="#">750084</a>	7,13 €
25	CL hose heater, feed, 3.5 , 3.8 FN	<a href="#">750082</a>	23,22 €	25	CL hose heater, feed, M117 w.vac-valve	<a href="#">750876</a>	15,02 €
28	CL hose, heater return R6 RHD (LHD:>82)	<a href="#">750879</a>	19,14 €	27	CL hose heater, feed, all RHD, LHD->82	<a href="#">750881</a>	19,14 €
29	Rad.hose htg. 380-500 FN Rt.	<a href="#">750880</a>	19,14 €	29	return water pipe M116.98xx	<a href="#">783885</a>	49,98 €
33	Rubbergrommet, e.g:waterpipe	<a href="#">750073</a>	23,22 €	29	Heater return hose, early V8 (Vac-valve	<a href="#">750877</a>	19,14 €
40	Washer large diameter. 4mm galvanized	<a href="#">799004</a>	9,97 €	34	Rubbergrommet, heat.return Rt. or drain 108boot	<a href="#">799003</a>	13,01 €
40	Cover above blower box, Repro	<a href="#">990111</a>	0,03 €	40	Self-tapping screw with Phillips 4.2 X13 galvanized	<a href="#">990103</a>	0,07 €
41	Rubberseal, firewall heater aperture	<a href="#">783817</a>	48,90 €	41	Seal, heater cover, similar to genuine material	<a href="#">783110</a>	37,00 €
47	Rivet,for cover in boot	<a href="#">783810</a>	16,33 €	45	Seal profile f.a. inlet	<a href="#">783819</a>	5,37 €
49	Drain hose right, Repro	<a href="#">269034</a>	0,35 €	48	Grommet, large, firewall 107	<a href="#">798759</a>	15,90 €
51	Seal, firewall cover ->08.81	<a href="#">783032</a>	18,30 €	49	Drain tube left repro	<a href="#">783031</a>	18,30 €
60	Blower motor 107 uni (w.o ballast resistor)	<a href="#">783037</a>	4,74 €	52	Profile, rubber, 1m, on air inlet	<a href="#">783021</a>	4,97 €
60	Blower unit, Repro, w/o resistor	<a href="#">783708</a>	59,50 €	60	Blower unit, Repro, w/o resistor	<a href="#">783609</a>	599,00 €
61	Seal, heater fan   A1078350123	<a href="#">783809</a>	698,99 €	61	nut M6 w. flange, zinc plated	<a href="#">799913</a>	0,37 €
70	Blechmutter zB Lampentopf, Heizungskast	<a href="#">783036</a>	28,50 €	63	Clip heater housing	<a href="#">798725</a>	0,45 €
81	mounting clip 3mm	<a href="#">788099</a>	0,55 €	73	Rubber grommet 13/34mm, diagonal	<a href="#">798752</a>	2,55 €
89	A1078310188 Hose -> 2 centre vent jets	<a href="#">798727</a>	0,54 €	89	Sleeve -> 3 centre vent jets	<a href="#">783491</a>	27,47 €
95	Rubberseal A-pillar LH, door air duct	<a href="#">783490</a>	21,97 €	95	Rubberseal A-pillar RH, door air duct	<a href="#">783804</a>	18,08 €
112	Seal at heater box, lower	<a href="#">783803</a>	18,08 €	99	rubber grommet	<a href="#">798769</a>	0,71 €
121	Lever handle, vent. Rt.	<a href="#">783034</a>	3,99 €	120	Lever handle, vent. ctre	<a href="#">783404</a>	12,14 €
		<a href="#">783406</a>	12,14 €	121	Lever handle, vent. Lt.	<a href="#">783405</a>	12,14 €

## 83.e A/C automatic controlled

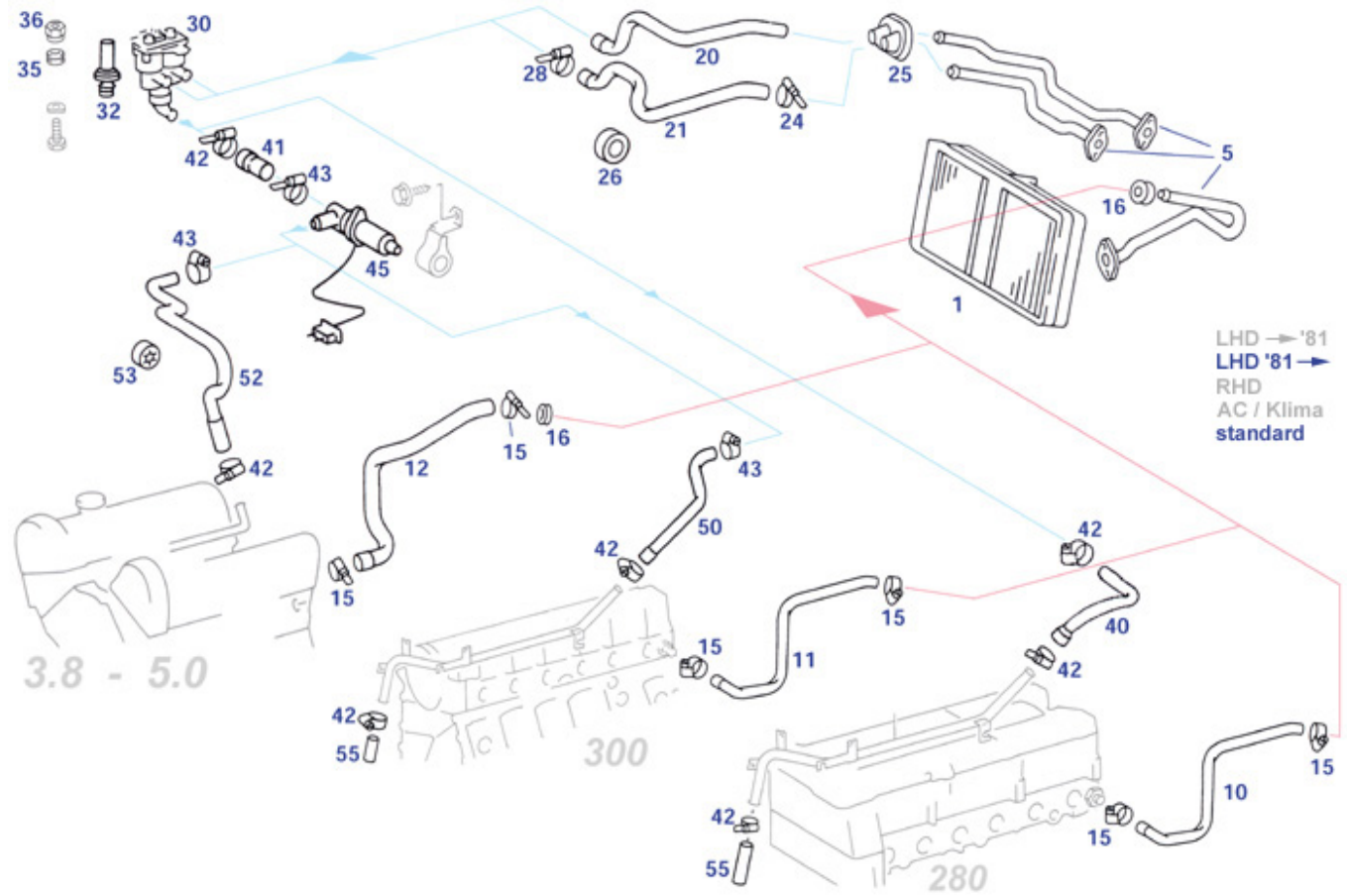
83.e Air-Con, Automatic vakuu-elektical (->81)



clamps	Hoseclamp 15mm to 21mm, worm thread style	<a href="#">250042</a>	2,07 €	Rep-kit for electrical heater valve	<a href="#">783054</a>	26,00 €	
	Water hose ...4394	<a href="#">750813</a>	14,57 €	Symbol label, heater adj. wheel	<a href="#">783909</a>	9,07 €	
clamps	Hose clamp 24-32, worm thread style	<a href="#">999889</a>	1,51 €	Symbol label, heater adj. wheel	<a href="#">783709</a>	9,07 €	
	Rubber grommet 13/34mm, diagonal	<a href="#">798752</a>	2,55 €	radiator hose 450/380 HVAC valve to return pipe	<a href="#">750897</a>	21,16 €	
	radiator hose to heater valve	<a href="#">750091</a>	15,78 €	Rad.hose htg. Rt.	<a href="#">750075</a>	10,81 €	
	Cooling hose enheater please vehicle data	<a href="#">750074</a>	29,14 €	clamps	Hose clamp 23-31mm, worm thread style	<a href="#">750042</a>	1,09 €
	belt pulley e.g. A/C, data required	<a href="#">713399</a>	48,97 €	1	radiator hose 450 feed line, veh.w.climate-contr	<a href="#">750808</a>	15,61 €
3	Hose, heater feed pipe to el.pump, 450from, 380up-to	<a href="#">750893</a>	8,93 €	4	radiator hose, feed, 450/380 AC1, el-pump to valve	<a href="#">750809</a>	12,04 €
6	radiator hose, 1988/1981 380 return to valve-unit	<a href="#">750896</a>	18,16 €	8	Hose, heater return to US valve-block unit 450+380->81	<a href="#">750894</a>	12,11 €
9	radiator hose to eng return line	<a href="#">750890</a>	11,41 €	9	Water hose to engine450 return pipe	<a href="#">750810</a>	20,13 €
50	aux el pump, heater hose, universal, FEBI	<a href="#">583760</a>	89,43 €	50	aux el pump, heater hose LHD, BOSCH	<a href="#">583160</a>	129,03 €
50	aux el pump, heater hose, universal, no name	<a href="#">583660</a>	145,00 €	82	amplifier, 76-80 climate system	<a href="#">783845</a>	616,15 €
83rep	Replcmnt of A/C-ecu	<a href="#">783846</a>	719,95 €	83rep	MB Tempmatic Servo, repro w.Alu housing	<a href="#">783446</a>	1.155,00 €
288059	Panelling screw 5,5 x 16 (hex head 8mm)	<a href="#">288059</a>	0,60 €	299097	Bulb 1.2W, glass socket, switch-knob, cockpit	<a href="#">299097</a>	1,79 €

## 83.g Water Circuit Duovalve, LHD from 81

83.g Water Circuit Duovalve, LHD from 81

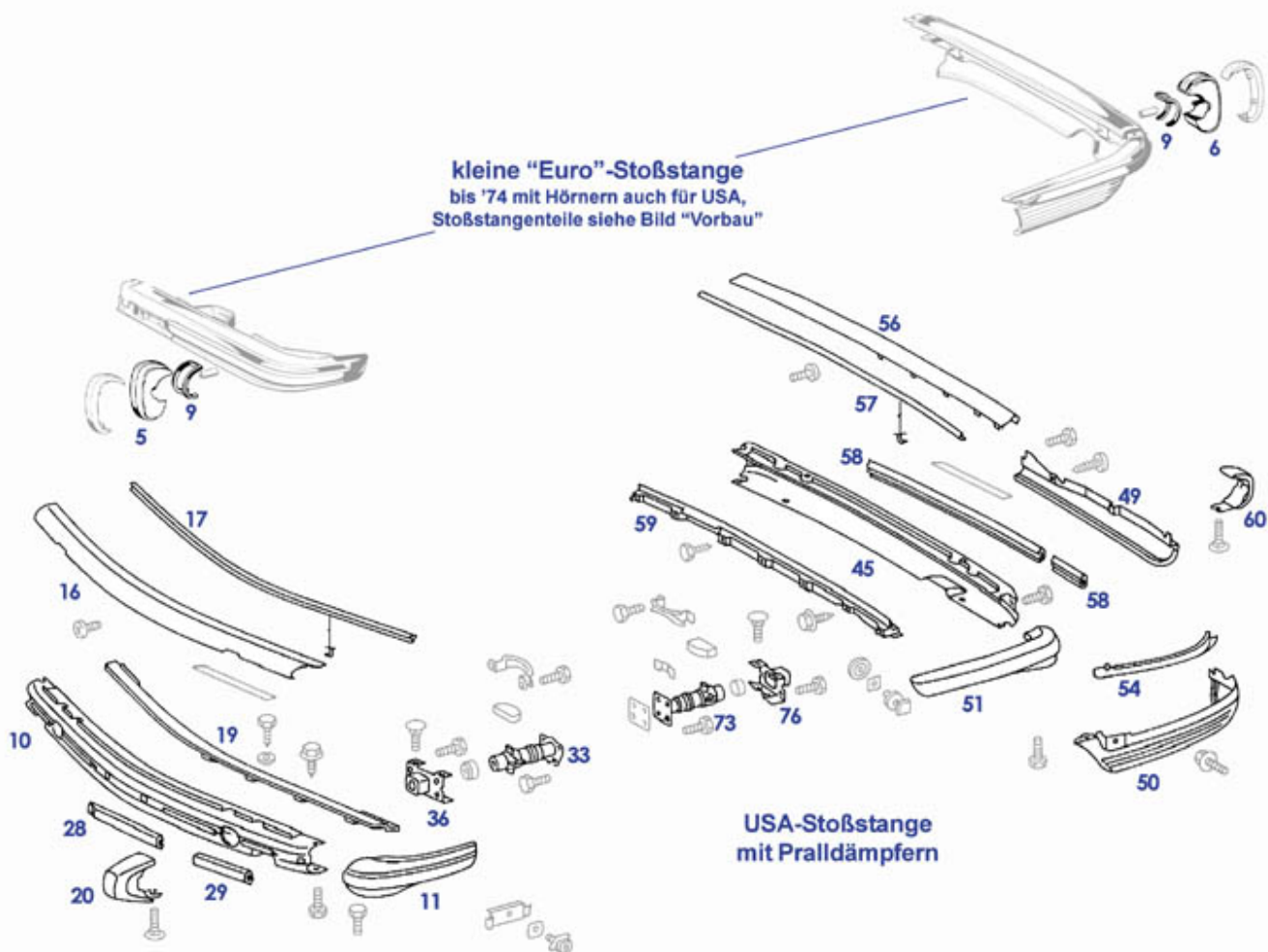


"Tempmatic" system, Euro standard: Electromagnetic double valve and circulating pump installed on the right, Euro series from the use of dials, except RHD types. Not applicable for USA types with vacuum block valve or mono valve. For vacuum components of the systems, see group 80.c

	aux el pump, heater hose LHD	<a href="#">783860</a>	196,35 €		Rad.hose htg. 380-500 FN Rt.	<a href="#">750073</a>	23,22 €
	Secand Choice; Forced ventilation flap	<a href="#">783075</a>	30,94 €		radiator hose to heater valve	<a href="#">750091</a>	15,78 €
	A1168310394	<a href="#">750078</a>	23,01 €		Rubber grommet 19/34mm, eg Heater tube	<a href="#">799805</a>	1,08 €
	Symbol label, heater adj. wheel	<a href="#">783909</a>	9,07 €		1m cooling water hose 12/19mm	<a href="#">250823</a>	7,14 €
	Symbol label, heater adj. wheel	<a href="#">783709</a>	9,07 €		Rubber grommet 13/34mm, diagonal	<a href="#">798752</a>	2,55 €
10	Rad.hose htg. 280SL Lt.	<a href="#">750085</a>	23,91 €	12	Water hose M117 LHD heater feed from ca. '81	<a href="#">750072</a>	15,71 €
12	Cooling hose engheater please vehicle data	<a href="#">750074</a>	29,14 €	15	Hose clamp 23-31mm, worm thread style	<a href="#">750042</a>	1,09 €
20	Return hose, heater to Duovalve, (rh hose)	<a href="#">750087</a>	24,59 €	21	Return hose, heater to Duovalve, (rh hose)	<a href="#">750086</a>	16,37 €
24	Hose clamp 18-27, worm thread style	<a href="#">999898</a>	4,07 €	25	A1079973881 Grommet 10/58mm, 2 heater t	<a href="#">799002</a>	8,43 €
32	Rep-kit for electrical heater valve	<a href="#">783054</a>	26,00 €	35	Rubber grommet 10/15, taillight bucket 190SL, 107	<a href="#">199020</a>	1,08 €
40	Water hose 280SL el-pump -> return pipe	<a href="#">750089</a>	15,71 €	43	Hoseclamp 15mm to 21mm, worm thread style	<a href="#">250042</a>	2,07 €
45	aux el pump, heater hose LHD, BOSCH	<a href="#">583160</a>	129,03 €	45	aux el pump, heater hose, universal, FEBI	<a href="#">583760</a>	89,43 €
45	aux el pump, heater hose, universal, no name	<a href="#">583660</a>	145,00 €	45	blind cap for 8mm nipple	<a href="#">583665</a>	6,70 €
50	Rad.hose htg. Rt.	<a href="#">750070</a>	14,73 €	52	Rad.hose htg. Rt.	<a href="#">750075</a>	10,81 €

## 88 Attachment Body Parts: Front and Bumpers

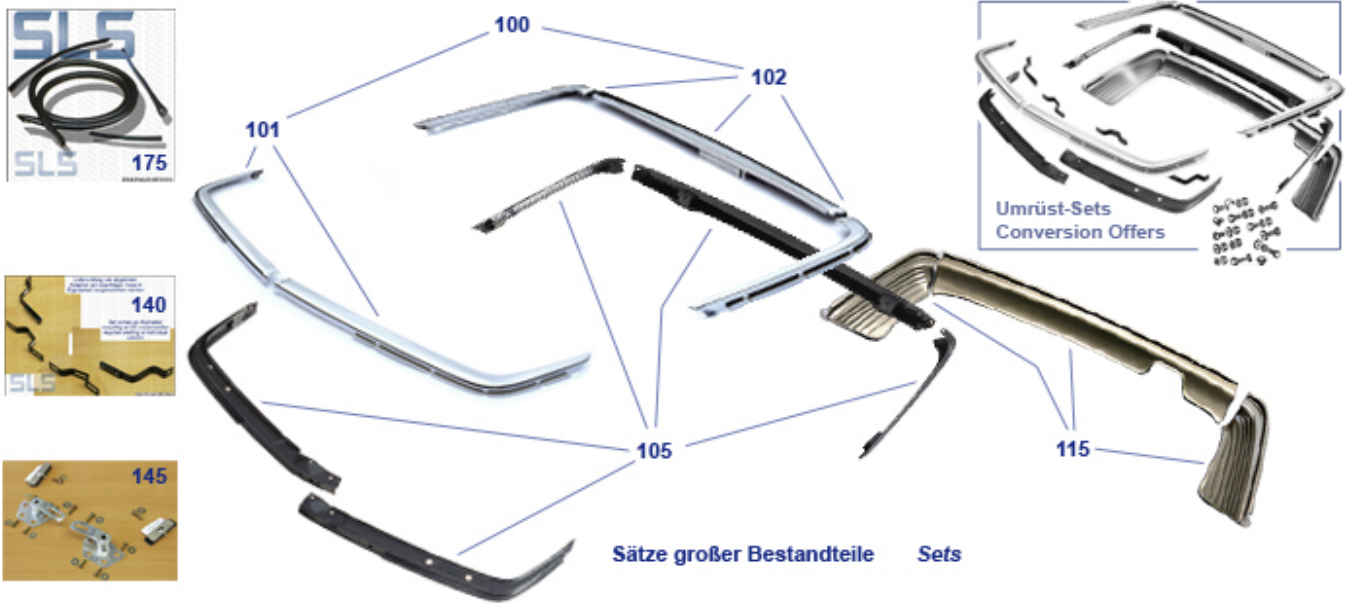
### 88 Export Bumpers, large



In 1974, the U.S. export bodies received reinforced bumpers and modified mounting mounts on the vehicle frame. The core of the design are the impact dampers shown in the picture No. 33 and 73: the energy-absorbing immersion of the bumper requires a slide guide on the side, which also differs from the small standard bumpers.

o.a.	Glassfibre Reproduction front skirt <a href="#">779318</a>	535,50 €	9	see 189911	<a href="#">189011</a>	8,29 €
28	Licence plate underlay, stainless steel, inner width 46cm <a href="#">988788</a>	29,75 €	73	Bolt, bumper to body, M8	<a href="#">799887</a>	1,23 €

### 88 Bumpers, european



**Einzelne oder kleinere Bestandteile    Separate Components**



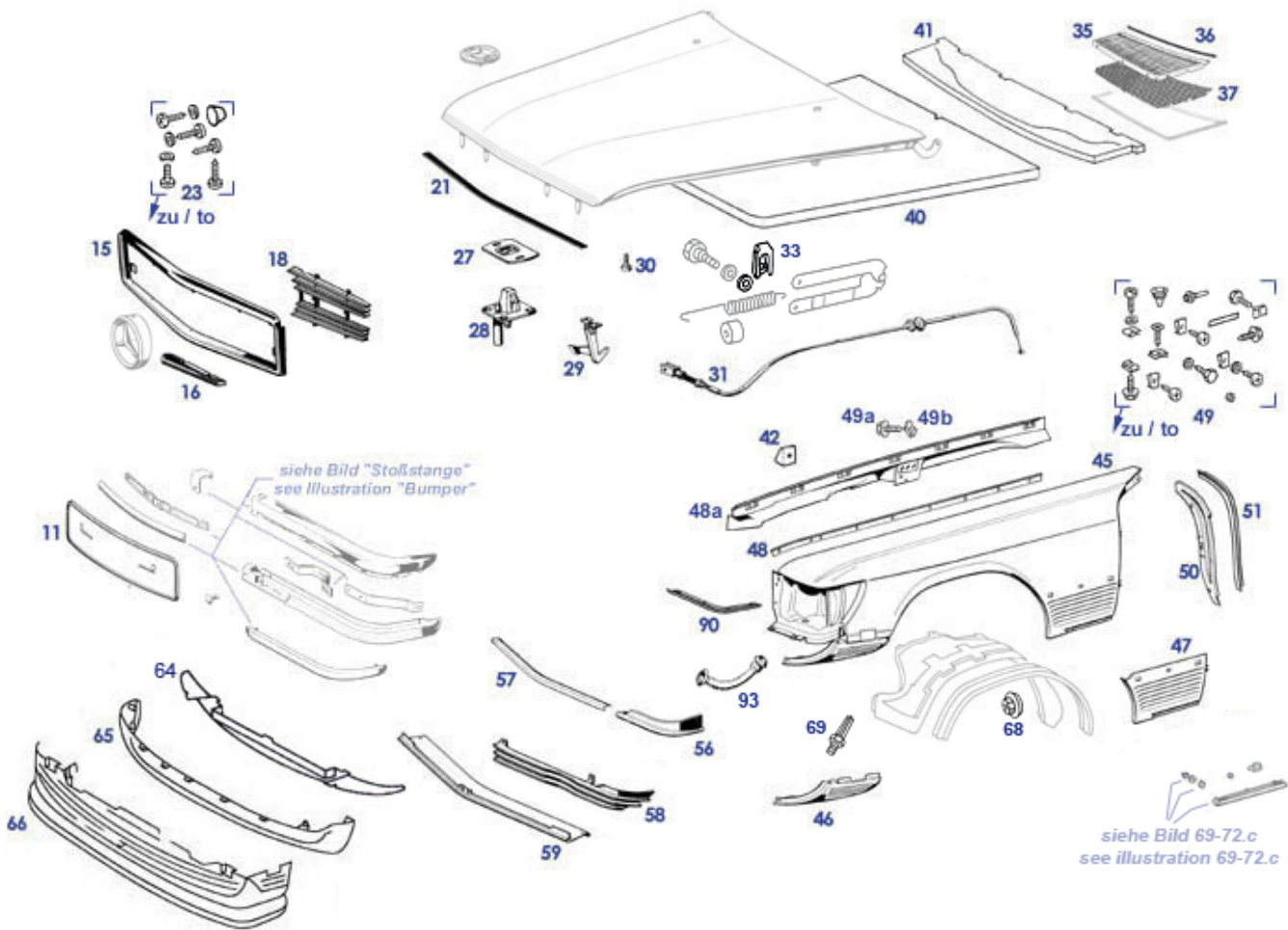
All parts shown (except special holders, click areas 145 and 140) are compatible with the small standard bumper of the normal Europa models. If you wish to convert large US bumpers to small Euro bumpers: Please keep in mind that no "plug and play" solutions are possible, as the bodysells have differences in the areas of the connection points. We will be happy to put together offers for you that provide information about various set-up options. Assembly instructions are not available, advice from specialized companies is recommended.

Set adapting supports EUR pumper->US, long wings	<a href="#">788752</a>	174,93 €	hex head screw M8X12 stainless steel	<a href="#">788942</a>	0,39 €
conv-sets Set rubber plugs for US-bumper removal	<a href="#">788499</a>	15,47 €	Polyamide bushing 10,5 x 30 x 8	<a href="#">788725</a>	5,05 €
washer 8,4X24X2 stainless steel	<a href="#">788916</a>	0,55 €	Washer 10,5 x 30 x 2,5 stainless steel	<a href="#">788915</a>	0,87 €
Waved spring washer 8mm, stainless steel	<a href="#">788911</a>	0,31 €	hex head tapping screw 4,8X13 stainless steel	<a href="#">788938</a>	0,49 €
Glassfibre Reproduction front skirt 300-500SL/from 08.'85	<a href="#">779318</a>	535,50 €	Bolt A2 M5X12, frt grille mouldings,	<a href="#">788207</a>	0,74 €
Licence plate underlay, stainless steel, inner width 46cm	<a href="#">988788</a>	29,75 €	..		
hex head screw M10 X 20 stainless steel	<a href="#">788949</a>	0,58 €	hex head screw M8 X 16 stainless steel	<a href="#">788912</a>	0,39 €
dummy pin, chrome plated 12mm head	<a href="#">988105</a>	2,31 €	Clip nut	<a href="#">798167</a>	0,43 €
bracket rear body, similar 1076160431	<a href="#">761415</a>	31,40 €	A1076200686 Crosspiece, front, rear par	<a href="#">762030</a>	215,00 €
8 plastic plug w.chrome cap	<a href="#">788995</a>	1,92 €	8 plastic plug w.chrome cap	<a href="#">788195</a>	0,99 €
10 Bolt M8 x 16 zined	<a href="#">799947</a>	1,02 €	10 Inner bracket shell, bumper frt LH Euro	<a href="#">788795</a>	196,11 €
10 Inner bracket shell, bumper frt RH Euro	<a href="#">788805</a>	196,11 €	14 Bumper mount frt.LH.inn, Repro, steel	<a href="#">788615</a>	42,42 €
14 Bumper mount frt.RH.inn, Repro, steel	<a href="#">788616</a>	42,42 €	14 Bumper mount frt.RH.inn, Repro, steel	<a href="#">788716</a>	42,42 €
18 Adapting mount frt.RH Eur-bmpcr to USca	<a href="#">788720</a>	60,87 €	18 Bumper mount frt.LH.outer early, repro	<a href="#">788611</a>	51,65 €



18	Adapting mount frt.LH Eur-bmper to USca	<a href="#">788719</a>	60,87 €	18	Bumper mount frt.LH.outer, late, Repro	<a href="#">788717</a>	53,49 €
18	Bumper mount frt..RH.outer, Repro, stee	<a href="#">788612</a>	51,65 €	22	Insert,bumper R/C107 front, genuine MB	<a href="#">788180</a>	159,40 €
22	Nut M6 zincd	<a href="#">799920</a>	2,15 €	22	Insert, bumper R/C107 front, genuine MB	<a href="#">788170</a>	172,16 €
22	Bumper rubber front, Euro style RH repro	<a href="#">788880</a>	70,27 €	22	washer, stainless steel 6,4	<a href="#">788822</a>	0,19 €
22	Bumper rubber frt LH, Euro style, Repro	<a href="#">788870</a>	70,27 €	22	SL 107 Left Front Bumper Rubber	<a href="#">788670</a>	75,26 €
22	hex nut, stainless steel M6	<a href="#">788821</a>	0,43 €	22	hex nut, stainless steel M8	<a href="#">788820</a>	0,76 €
22	SL 107 Right Front Bumper Rubber	<a href="#">788680</a>	75,26 €	24	SL & SLC 107 Centre Front Bumper Rubber (Euro)	<a href="#">788775</a>	41,53 €
25	Profl.for insert R/C107 fr.	<a href="#">788098</a>	50,50 €	25	Clip, prot. strip, front	<a href="#">788897</a>	0,40 €
26	Join plate screw M8X16 stainless steel e.g. bumper joints	<a href="#">788914</a>	1,77 €	26	Join plate screw M8 e.g. bumper joints	<a href="#">288105</a>	1,20 €
27	Bolt, M8 x 12 zincd	<a href="#">799942</a>	1,07 €	27	Nut	<a href="#">798164</a>	0,55 €
27	lic-plate support, Euro	<a href="#">788086</a>	30,88 €	35	unversal lic-plate underlay 520x110, stainless steel	<a href="#">988088</a>	41,06 €
35	Licence plate underlay, fr./rear, s-steel polished, fits 520mm	<a href="#">588088</a>	11,90 €	43	panelling screw Hex8, e.g. bumper 12 frt / 26 rr	<a href="#">799938</a>	0,32 €
44	Inner bracket shell, bumper rear LH Eur	<a href="#">788833</a>	95,60 €	44	Inner bracket shell, bumper rear RH Eur	<a href="#">788834</a>	95,60 €
44	square washer, rear bumper, similar 1079900044	<a href="#">788109</a>	7,46 €	48	Dampening layer, bumper to tail panel	<a href="#">788112</a>	1,24 €
48	Inner bracket shell, bumper rear centre	<a href="#">788835</a>	196,11 €	50	Profile rear bumper protection EURO, repro	<a href="#">788895</a>	102,64 €
50	SL & SLC 107 Rear Bumper Rubber	<a href="#">788695</a>	109,93 €	51	Dec.skirt R/C107, rr. Lt.,std/Euro	<a href="#">788230</a>	72,47 €
51	Dec.skirt R/C107, rr. Rt., Alu	<a href="#">788246</a>	99,00 €	51	Dec.skirt R/C107, rr. Rt.,std.	<a href="#">788240</a>	72,47 €
51	Dec.skirt R/C107, rr. Lt., Alu	<a href="#">788236</a>	82,19 €	55	bolt M6x12, hot-dipped, skirt	<a href="#">799945</a>	1,02 €
55	Dec.skirt R/C107, rr. mid.ALU	<a href="#">788276</a>	135,60 €	55	Dec.skirt R/C107, rr. mid.std-Euro (not aluminum, not US)	<a href="#">788270</a>	119,00 €
101	Pair L+R Chrome shells frt (L+R), Repro	<a href="#">788801</a>	821,10 €	102	Set Chrome shells rr (L+C+R), Repro	<a href="#">788802</a>	920,47 €
140	bracket set for EU front bumper, see illustration	<a href="#">788840</a>	250,00 €	145	Set adapting supports EUR pumper->US-body, zincd	<a href="#">788750</a>	267,75 €

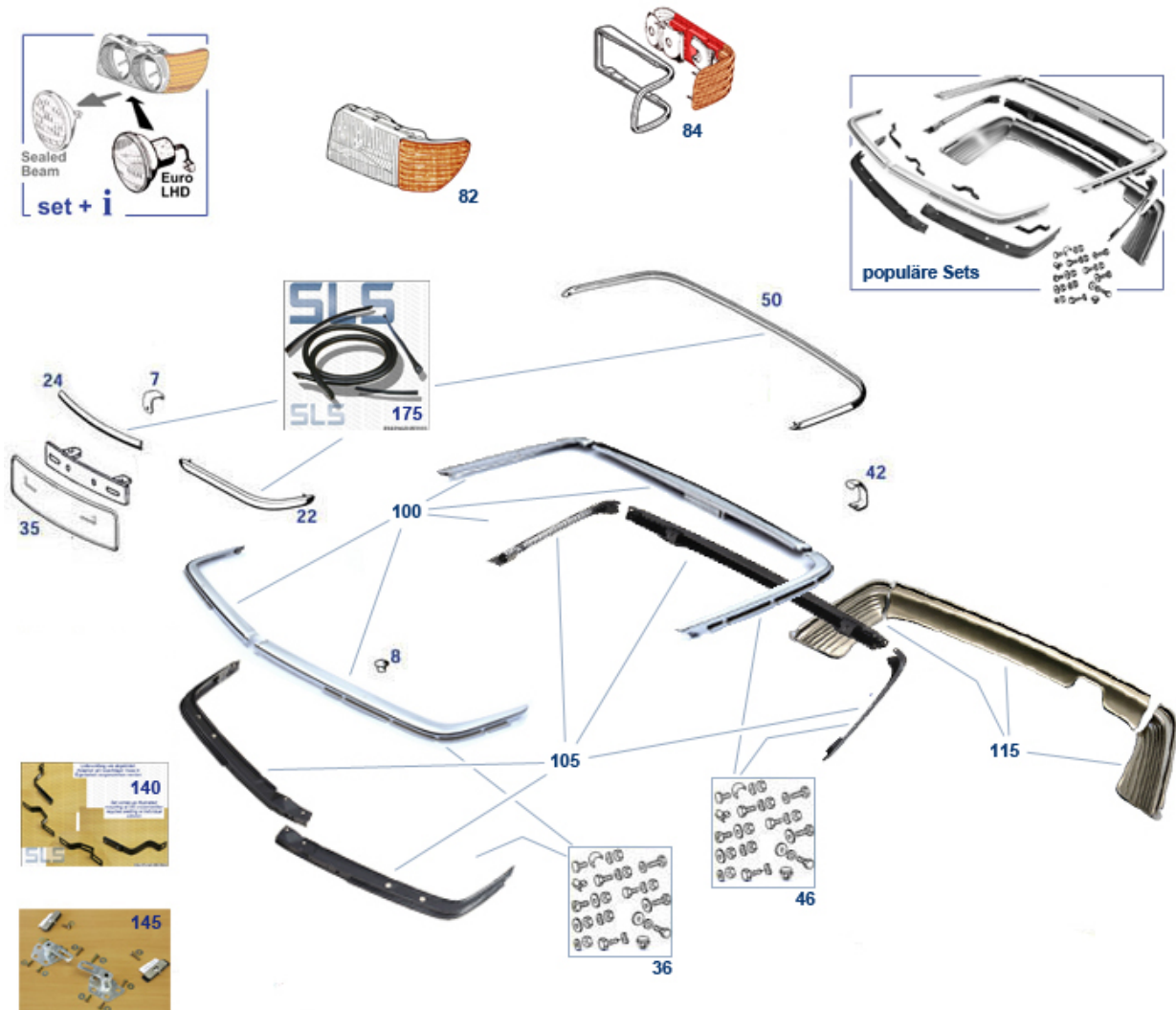
## 88 Front Wings, Bonnet



	Escutcheon, protection, trim mounts	<a href="#">772807</a>	0,23 €		Clip	<a href="#">772003</a>	0,17 €
	Slot protection, trim mounts washer 4,3 X 12 X 1	<a href="#">772856</a> <a href="#">799890</a>	0,23 € 0,14 €		Hex Nut, M4	<a href="#">799919</a>	0,20 €
	Clip, part of trims (1 each trim)	<a href="#">772002</a>	0,42 €		rubber hose, protection, 1m	<a href="#">799909</a>	1,00 €
	A1266980358 Escutcheon by spire nut	<a href="#">772007</a>	0,17 €		Bushing for clip, white	<a href="#">772005</a>	0,48 €
	Washer large diameter. 5mm galvanized	<a href="#">990112</a>	0,03 €		panhead tapping screw 4,8 X 13	<a href="#">788206</a>	0,30 €
11	Licence plate underlay, fr./rear, s-steel polished, fits 520mm	<a href="#">588088</a>	11,90 €	11	cheese head screw with cross recess H M5X8	<a href="#">788158</a>	0,15 €
15	Rad. grille frame,R/C107, repro. Q-deficite	<a href="#">788203</a>	249,90 €	11	universal lic-plate underlay 520x110, stainless steel	<a href="#">988088</a>	41,06 €
16	Pair of trims, repro	<a href="#">788836</a>	199,00 €	16	Pair of trims, repro, quality problems	<a href="#">B788836</a>	141,61 €
18	Screw	<a href="#">799931</a>	0,24 €	17	Rubber ring, wiper motor	<a href="#">282407</a>	0,77 €
18	REST: Grille LT, Repro, latest version	<a href="#">788055</a>	35,45 €	18	REST: Grille RT, Repro, latest version	<a href="#">788066</a>	35,45 €
18	Bolt A2 M5X12, frt grille mouldings, ..	<a href="#">788207</a>	0,74 €	18	Washer 4,3 yellow zincd	<a href="#">299282</a>	0,08 €
18	1 pair plastic mesh insert for upper grille screen 107	<a href="#">788855</a>	214,20 €	18	Bolt M5x10,i.e. Star->Frame, industrial chrome finish	<a href="#">288048</a>	1,45 €
21	Rbr profile @ bonnet under chrome frame	<a href="#">788804</a>	4,21 €	20	Rubber buffer on radiator grille frame	<a href="#">788209</a>	5,99 €
27	Hood catch, upper	<a href="#">288001</a>	23,40 €	25	Ground strap, bonnet 107, 111, 108	<a href="#">754888</a>	29,37 €
28	Bolt, countersunk with cross recess, M6x10	<a href="#">299785</a>	0,39 €	27	hexagon flange bolts M6 X 12 zinc plated	<a href="#">799955</a>	0,56 €
29	Safety hook, bonnet lock	<a href="#">788831</a>	29,87 €	28	Hood catch, lower, short neck / Alu	<a href="#">288002</a>	408,88 €
				29	Spring washer, fits M6	<a href="#">181028</a>	0,18 €

29	Screw M6x18 e.g. Filter box 190SL,bonnets, ..	<a href="#">109024</a>	0,38 €	30	Buffer, bonnets, ..	<a href="#">298201</a>	2,32 €
30	Hex Nut M6 flat shaped	<a href="#">299291</a>	0,37 €	31	Grommet 3 cable 3/20	<a href="#">199008</a>	1,23 €
31	Clamp, rear floor, fits 6mm wire or pipe	<a href="#">242059</a>	3,71 €	31	Screw 4,8 x 10 Hex 8	<a href="#">799844</a>	0,63 €
31	Bowden cable, 350SL fr.004434	<a href="#">788005</a>	24,80 €	33	locking clips, bonnet stay, 107 late (from 12.'73)	<a href="#">788608</a>	3,57 €
33	Washer 2mm, thick, exh-manif, bumpers .	<a href="#">214008</a>	0,56 €	35	Rivet,for cover in boot	<a href="#">269034</a>	0,35 €
36	Seal profile f.a. inlet	<a href="#">783819</a>	5,37 €	40	Bonnet noise red. 107, early exc.300SL	<a href="#">768085</a>	47,60 €
40	Bonnet noise reduction 107, also 300SL	<a href="#">768886</a>	47,60 €	41	Foam insulation rr part of bonnet	<a href="#">788824</a>	34,99 €
41	Omega clip 11,8mm, green	<a href="#">786045</a>	0,47 €	42	Buffer, bonnet @ fender slot	<a href="#">788601</a>	1,96 €
42	Shim 4,3x8	<a href="#">799939</a>	0,19 €	42	Screw 3,9 x 19 e.g. Bonnet-rubber	<a href="#">788609</a>	0,32 €
45	W/S glasstransp. incl. box(Germany)	<a href="#">967999</a>	121,25 €	45	Cardbox for large spareparts, 170x60x80cm	<a href="#">967993</a>	25,82 €
45	Wing, R/C107 REPRO. front Lt. bad fitting and contours	<a href="#">788011</a>	485,15 €	45	rubber pad, wing mount to A-pillar RH	<a href="#">788069</a>	1,82 €
45	Rubber pad, wing mount to A-pillar LH	<a href="#">788059</a>	1,82 €	45	Wing, R/C107 REPRO. front Rt. bad fitting and contours	<a href="#">788021</a>	485,15 €
46	Front right lower wing repair panel	<a href="#">788525</a>	69,00 €	46	Front left lower wing repair panel	<a href="#">788515</a>	63,00 €
47	Counter sunk screw, eg wing to rail	<a href="#">799930</a>	0,38 €	47	Repr. panel,fr. wing, rear Rt.	<a href="#">788023</a>	62,92 €
47	Washer 6,4 x 11 zinc plated	<a href="#">799914</a>	0,12 €	47	Repr. panel,fr. wing, rear Lt.	<a href="#">788013</a>	62,92 €
47	Spire nut for handle	<a href="#">798739</a>	0,45 €	48	Multi-Purpose Adhesive Insulation Seal	<a href="#">298001</a>	9,40 €
48a	Rest: Inner wing repair piece, left	<a href="#">762131</a>	47,27 €	48a	Rest: Inner wing repair piece, rt.	<a href="#">762141</a>	47,27 €
49	Washer eg wing to A-pillar	<a href="#">798148</a>	0,33 €	49b	Nut for panelling screw	<a href="#">798170</a>	0,81 €
49a	Panelling screw SW10 6,2x20	<a href="#">799924</a>	0,88 €	49	plastic rivet, headlights (EU) to fender	<a href="#">799091</a>	3,33 €
50	splash guard LH ->'85	<a href="#">788850</a>	47,15 €	50	splash guard RH ->'85	<a href="#">788860</a>	47,15 €
50	Panelling screw 5,5 x 16 (hex head 8mm)	<a href="#">288059</a>	0,60 €	50	16 m sealing compound strip 3mm black	<a href="#">699996</a>	10,59 €
52	Nut	<a href="#">999809</a>	0,38 €	52	Set 2 pcs protection mudguards, 08.'85	<a href="#">788054</a>	265,00 €
56	Cover strip, under head'lamp, LH	<a href="#">788651</a>	95,00 €	56	panhead tapping screw 4,2 X 16	<a href="#">788381</a>	0,18 €
56	Blechmutter zB Lampentopf, Heizungskast	<a href="#">788099</a>	0,55 €	56	Cover strip, under head'lamp, RH	<a href="#">788661</a>	95,00 €
56	Spring clip nut, 4,2 e.g. glove box	<a href="#">299027</a>	0,43 €	56	Panelling screw 4,8 x 13	<a href="#">799933</a>	0,32 €
56	Spring clip nut, 4,2, e.g. wing 107,..	<a href="#">299028</a>	0,33 €	57	Tapping screw Phillips 4,2x9,5	<a href="#">799936</a>	0,15 €
58	Air Grille front right side, Euro-Version, fitting cars up to	<a href="#">788688</a>	28,29 €	58	Air Grille front left side, Euro-Version, fitting cars up to	<a href="#">788677</a>	28,29 €
59	Panelling screw 4,8 x 16, hex, shim	<a href="#">788931</a>	0,65 €	64	Clip nut	<a href="#">798167</a>	0,43 €
64	Frontspoiler, Repro, Years 73-80	<a href="#">779790</a>	465,65 €	65	Pan head tapping screw, zinc plated, 4,8 X 19	<a href="#">799937</a>	0,32 €
65	washer 5,3 X 15 X 1,2	<a href="#">799891</a>	0,15 €	66	Plastic rivet e.g. lower fan duct	<a href="#">788992</a>	0,43 €
66	Glassfibre Reproduction front skirt 300-500SL/from 08.'85	<a href="#">779317</a>	969,85 €	66	Glassfibre Reproduction front skirt 300-500SL/from 08.'85	<a href="#">779318</a>	535,50 €
69	guide with threaded bolt, mudguard positioning	<a href="#">798042</a>	1,96 €	90	Trim above headlamp @ LH wing, Repro	<a href="#">788819</a>	44,24 €
90	Nut	<a href="#">798174</a>	0,36 €	90	Trim above headlamp @ RH wing, Repro	<a href="#">788818</a>	44,24 €
90	Washer, entry trim strip,fr.	<a href="#">268132</a>	0,18 €	93	Protection sleeve, headlamp wiring, fits L or R	<a href="#">754046</a>	25,95 €

## 90 Frequently Required, Retrofit US -> Euro Attachment Parts

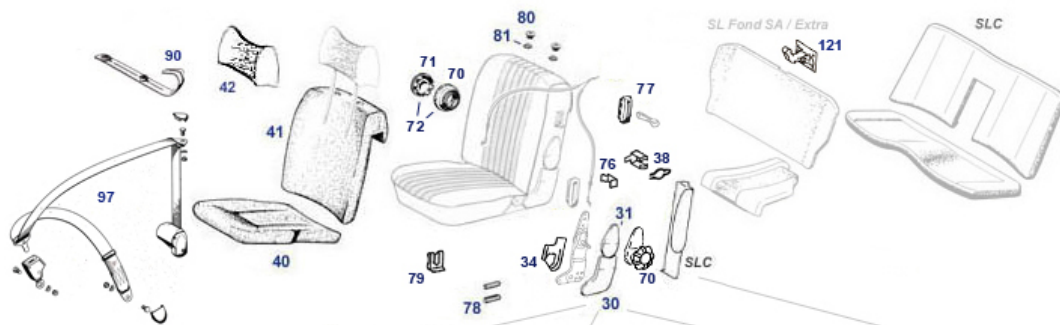


	Polyamide bushing 10,5 x 30 x 8	<a href="#">788725</a>	5,05 €		el. bits for installation of H4 into US frame	<a href="#">782749</a>	7,44 €
	Seal, tail lamp RH	<a href="#">782675</a>	53,55 €		Seal, tail lamp LH, too stiff reproduction	<a href="#">782685</a>	53,55 €
	SL 107 Right Front Bumper Rubber	<a href="#">788680</a>	75,26 €		Ground adapter cable, U.S. dismantling, types with lamp control	<a href="#">782890</a>	12,79 €
	Gasket,headlamp/wing, Rt., Repro	<a href="#">782545</a>	34,51 €		SL 107 Left Front Bumper Rubber	<a href="#">788670</a>	75,26 €
	Euro H4 lamp insert, LHD, w.parking lamp option	<a href="#">782747</a>	36,50 €		.Gasket,headlamp/wing, Lt., Repro	<a href="#">782535</a>	34,51 €
8	plastic plug w.chrome cap	<a href="#">788995</a>	1,92 €	8	plastic plug w.chrome cap	<a href="#">788195</a>	0,99 €
24	Clip, prot. strip, front	<a href="#">788897</a>	0,40 €	24	Profl.for insert R/C107 fr.	<a href="#">788098</a>	50,50 €
24	SL & SLC 107 Centre Front Bumper Rubber (Euro)	<a href="#">788775</a>	41,53 €	35	lic-plate support, Euro	<a href="#">788086</a>	30,88 €
42	chrome bumper joint, fits front & rear	<a href="#">788910</a>	109,00 €	46	Set rubber plugs for US-bumper removal	<a href="#">788499</a>	15,47 €
50	Profile rear bumper protection EURO, repro	<a href="#">788895</a>	102,64 €	50	SL & SLC 107 Rear Bumper Rubber	<a href="#">788695</a>	109,93 €
84	Tail lamp lens LH, European, recommended Repro	<a href="#">782751</a>	245,00 €	84	Tail lamp lens RH, European, recommended Repro	<a href="#">782761</a>	245,00 €
140	bracket set for EU front bumper, see illustration	<a href="#">788840</a>	250,00 €	145	Set adapting supports EUR pumper->US-body, powdercoat	<a href="#">788751</a>	249,00 €
145	Set adapting supports EUR pumper->US-body, zined	<a href="#">788750</a>	267,75 €	782950	Euro H4 lamp insert, fits US frame,pict	<a href="#">782646</a>	65,34 €



# 91 Seat, mech. parts

91 Seat, mech. parts



	SL -> 08.'77				SL 09.'77 -> *				SLC			
	linker Sitz / left seat		rechter Sitz / rh seat		linker Sitz / left seat		rechter Sitz / rh seat		linker Sitz / left seat		rechter Sitz / rh seat	
	Türseite Door side	Tunnel- Seite Tunnel side	Türseite Door side	Tunnel- Seite Tunnel side	Türseite Door side	Tunnel- Seite Tunnel side	Türseite Door side	Tunnel- Seite Tunnel side	Türseite Door side	Tunnel- Seite Tunnel side	Türseite Door side	Tunnel- Seite Tunnel side
Oberteile bei Serienausstattung upper part, series 31	791630	791660	791640	791650	791650	791640	791640	791650	Polsterteil I (Farbcode) upholstered part (color code)			
Oberteil bei SA LHD- Mittelarmlehne upper part, if LHD with armrest		791670			791670							
Unterteil lower part 30	791610	791620	791620	791610	791610	791620	791620	791610	791610	791620	791620	791610

\*107.042..003222 -> / 107.043..013160 -> / 107.044..042364 ->

Innenansichten Kunststoff-Chomblenden, Unterscheidungsmerkmal seitlicher Rand  
Inner view chromed plastic covers, identifier rim shape



Raum für MAL-Stütze  
Space for arm rest support

Headrest foam insert w/o Attachments	<a href="#">291748</a>	58,31 €	o.A.	A1079100705 Seat adjuster LH	<a href="#">791407</a>	142,80 €
30-31 per one piece holding clamp set	<a href="#">791616</a>	4,64 €	30-31 per one piece form spring clip set	<a href="#">791619</a>		1,09 €
34 Inner cover, seat joint on the right	<a href="#">791617</a>	18,86 €	34 Inner cover, seat joint on the left	<a href="#">791607</a>		18,86 €
40 Foam pad, seat, SL 7.85-> fits L or R	<a href="#">791151</a>	647,05 €	40 metal spring assembly, cushion repair	<a href="#">791160</a>		260,60 €
40 Foam seat cushion, SL up to 07.'85, fits L or R	<a href="#">791850</a>	199,68 €	40 Foam cushion seat SL ->'85	<a href="#">791750</a>		155,99 €
41 Foam cushion back rest, SL '73->'85 (not SLC)	<a href="#">791771</a>	148,75 €	41 Backrest springs, 3 parts R107 L /R suitable	<a href="#">791340</a>		272,99 €
41 Foam cushion back rest, SL '85->	<a href="#">791772</a>	179,99 €	41 Foam pad, back, SLC '74->	<a href="#">791174</a>		679,00 €
61 2xSicherheitsgurte 107 Notsitz	<a href="#">793196</a>	102,40 €	61 Notsitz-Nachrüstatz Leder, zB schwarz	<a href="#">793195</a>		1.368,50 €
70 Adjuster handle wheel, earl	<a href="#">791635</a>	18,30 €	70 Adjuster handle wheel, late	<a href="#">791637</a>		15,57 €
71 Cap for early adjuster wheel	<a href="#">791636</a>	18,30 €	76 Clip, bowden cable/ctl.	<a href="#">283034</a>		2,50 €
76 bracket, wire supports	<a href="#">791375</a>	95,20 €	77 Escutcheon, seat	<a href="#">791680</a>		79,00 €
78 Sliding block, seat rail	<a href="#">791609</a>	1,34 €	78 rear lower plastic insert up to ca. 81	<a href="#">791608</a>		3,00 €
78 1m round profile	<a href="#">799696</a>	1,31 €	80 oval eye, headrest rods	<a href="#">291843</a>		2,90 €
80 SL 107 Seat Belt Butler Holder Guide material PP, black	<a href="#">786150</a>	26,22 €	97 Seat belt, 3pt Automatic, Aftermarket	<a href="#">799772</a>		58,91 €
121 Bracket, rear seat rest SL, from 04.'78	<a href="#">791286</a>	109,00 €	791610 SL 107 Lower Left Chrome Seat Hinge Cover	<a href="#">791610</a>		20,55 €
791620 SL 107 Lower Right Chrome Seat Hinge Cover	<a href="#">791620</a>	20,55 €	791630 Covering, seat hinge, upper left ->08.7	<a href="#">791630</a>		20,55 €
791640 Covering, seat hinge, upper right	<a href="#">791640</a>	20,55 €	791650 Covering, if adjuster wheel at LH	<a href="#">791650</a>		20,55 €



791660	Covering, seat hinge, upper	<a href="#">791660</a>	20,55 €	791670	side covering, at arm rest hinge, no hole <a href="#">791670</a>	20,55 €
--------	-----------------------------	------------------------	---------	--------	---	---------

## 94 Special Interior Equipment

94 Special Interior Equipment



jack	wheel mounting aid, aluminium, 130mm, M12 X 1,5	<a href="#">740213</a>	14,25 €	mesh	Adapter pair for Oris-windmesh	<a href="#">786104</a>	83,75 €
	Wheel clamp, anti-theft	<a href="#">940901</a>	53,55 €		1 pair of tire protection underlay pads	<a href="#">940900</a>	52,00 €
	Wheel clamp, anti-theft "Nemesis"	<a href="#">940902</a>	261,80 €	jack	Mounting bolt for tyre service, chromed	<a href="#">259809</a>	49,24 €
	Lift adapter 108-111-113	<a href="#">258610</a>	163,49 €		leatherbag for chrome handle black	<a href="#">258802</a>	28,62 €
	leatherbag for chrome handle red	<a href="#">258803</a>	28,62 €		leatherbag for chrome handle cognac	<a href="#">258804</a>	28,62 €
	Sticker tire pressure	<a href="#">799954</a>	13,69 €		metal strip left part for batterie mounting	<a href="#">784640</a>	55,55 €
	metal strip right part for batterie mounting	<a href="#">784641</a>	26,07 €		Set adhesive Labels R/C107	<a href="#">799850</a>	49,50 €
jack	wheel mounting aid, aluminium, 100mm, M12 X 1,5	<a href="#">740210</a>	12,95 €	mesh	Wind mesh "Weyer" R107 280-500SL, 2-seater	<a href="#">786805</a>	279,65 €
	first-aid set	<a href="#">999902</a>	22,16 €		battery box cover for optional equipment trunk mounted	<a href="#">754081</a>	55,16 €
jack	Spare Tire Fixing Mount (3rd Gen.)	<a href="#">740015</a>	40,39 €	mesh	Wind mesh "Weyer" R107 280-500SL, 2-sea	<a href="#">786807</a>	601,39 €
2	Mats, prt., vel. beige LHD 2 pcs; onyl for the frontseats	<a href="#">768776</a>	43,99 €	2	Mats, prt., vel. black LHD; 2 pcs; onyl for the frontseats	<a href="#">768775</a>	43,99 €
2	Mats, prt., vel. black LHD; 2 pcs; onyl for the frontseats	<a href="#">768774</a>	43,99 €	9	Nardi-Classico, wd/alu 39cm no hub	<a href="#">746010</a>	575,00 €
10	Nardi-hub, Mercedes fr.08.79 inc. ABE	<a href="#">746005</a>	166,60 €	10	Nardi s'wheel horn button, 2-Pole	<a href="#">746009</a>	133,16 €
10	Nardi-hub, Mercedes'76->07.79 w/o Tüv	<a href="#">746006</a>	143,99 €	30	adhesive label, symbol "critical accu height"	<a href="#">799950</a>	14,23 €
30	Book, German, K-and KE-Jetronic 72 pages print	<a href="#">711305</a>	34,50 €	30	Book: Rep.-manual W116 '72->, 185pg ger	<a href="#">611303</a>	44,38 €
30	Book: W116 Rep.-manual. 148pg german	<a href="#">611304</a>	44,38 €	30	Buch SL 280-SL 73 AMG, Engelen R129	<a href="#">911301</a>	59,38 €

30	Book W126 Rep-manual, german, 186 pages	<a href="#">611305</a>	44,38 €	30	Buch "Ein Stern strahlt wieder" T.Bittl	<a href="#">711308</a>	115,91 €
30	Book "Buyers Guide R/C107"	<a href="#">711306</a>	19,04 €	30	Book Rep manual, german "Bucheli" 280/350/450SL	<a href="#">711304</a>	49,98 €
30	Buch "SL's & SLC's Portfolio" eng.	<a href="#">711307</a>	35,22 €	30	Book: B.Long "MB-107-Series" 208 pages	<a href="#">711309</a>	47,60 €
30	Book, R/C107, Schrader, German	<a href="#">711312</a>	16,18 €	30	Book (german) Engelen "MB Baureihe R107	<a href="#">711311</a>	59,38 €
40	Indoor Car Cover Premium, "L", grey	<a href="#">299909</a>	89,86 €	40	Staubfrei Handfeger Cotton, 35cm	<a href="#">999915</a>	49,99 €
40	Car cover "FirstClass", Sport large blue	<a href="#">799800</a>	199,99 €	40	Car cover R107	<a href="#">799905</a>	194,99 €
40	Car cover, R107 outdoor	<a href="#">799906</a>	261,68 €	40	Indoor Car Cover "Premium XL", grey	<a href="#">799910</a>	94,55 €
50	professional battery charger 10A	<a href="#">954090</a>	267,75 €	55	mechanical antenna	<a href="#">799973</a>	155,00 €
55	grommet for Hirschman late "ball neck" antenna	<a href="#">799082</a>	4,12 €	55	Antenna, manual	<a href="#">599974</a>	29,75 €
55	Power Antenna, kit with different grommets	<a href="#">599975</a>	94,01 €	55	Antenna insert 900mm	<a href="#">799870</a>	16,66 €
55	Antenna insert late style (toothed core)	<a href="#">799871</a>	16,66 €	55	Antenna insert 900mm	<a href="#">799970</a>	32,49 €
55	Antenna insert late style (toothed core)	<a href="#">799971</a>	24,00 €	58	Adapter tube for lift adapter 107-114-123...	<a href="#">758610</a>	11,59 €
58	hook pair for dismounting instrument panel	<a href="#">758054</a>	58,66 €	69	Speedo watch 500SL R/C107	<a href="#">799990</a>	169,99 €
69	Speedo watch 420SL R/C107	<a href="#">799991</a>	169,99 €	69	Speedo watch 300SL R/C107	<a href="#">799968</a>	169,99 €
69	Armbanduhr "Tacho-Design" Strich-Acht	<a href="#">599996</a>	169,99 €	69	Speedo watch 450SL R/C107	<a href="#">799993</a>	169,99 €
69	Speedo watch R/C107 350SL	<a href="#">799994</a>	169,99 €	69	Speedo watch 280SL R/C107	<a href="#">799997</a>	169,99 €

