

## Mercedes W111 W108 W114...



SLS Import- und Export Handelsgesellschaft mbH

## Content

|  |    |
|--|----|
| 01, 03 Frequently required engine parts M180                 | 5  |
| 01, 03 häufig gefragte Motorteile Limo-Benziner ab 1968      | 7  |
| 07/09/14 Air/Fuel, Carb-models '59-'76                       | 8  |
| 07 injection systems components if not found in "SL"         | 10 |
| 15 Ignition, Generator, Starter for Petrol engines R4 and R6 | 11 |
| 15.c Ignition 4-cyl div. 190-230                             | 11 |
| 15.d Ignition 6-cyl div. 220 to 280                          | 11 |
| 15.e Starters and Generators div                             | 11 |
| 15.i Distributor rotors, info                                | 11 |
| 15.z Spark Plugs Table BOSCH BERU NGK                        | 12 |
| 22 Engine mounts W111 Cpe. front                             | 14 |
| 22/24 Engine Mounts W111 Cpe. rear                           | 15 |
| 25 Clutch, from Ponton up to 114/115                         | 16 |
| 25.i Info Ausrücklager Ponton bis 114/115                    | 16 |
| 25.h, 29 hydraulic components, clutch release                | 16 |
| 26, 27 frequently asked transmission parts Aut+Man           | 17 |
| 32/35.i Info Hyd. pneum spring assy W110, W111, W108         | 18 |
| 33 Front suspension  | 19 |
| 33.d Front suspension 116,123,126                            | 19 |
| 33.c Front suspension W114, ...                              | 20 |
| 33.b Front suspension 1959-1972                              | 21 |
| 33.a Front suspension 1955-1961                              | 22 |
| 35.a Rear Suspension 1955-1962                               | 24 |
| 35.b Rear Suspension 1959-1972                               | 26 |
| 40, Wheel lug bolts M12, assorted by overall length          | 28 |
| 41.d Flexible prop shaft discs by dimension                  | 29 |
| 42/43 Brake: Mastercyl., Lines                               | 30 |
| 42/43 Brake (at wheels) 1958 - 1973                          | 32 |
| 42/43a Brake discs, several Types 1965 - 1989                | 34 |
| 42.e Brake pipes assorted by length                          | 35 |
| 46.c Power Steering Pump V8 "Vickers"                        | 37 |
| 47.b Fuel tank W108-112 S/SE div.                            | 38 |
| 47.d el. pump, fuel supply "SE-Types"                        | 39 |
| 47.a Tank Ponton   | 40 |
| 49 Exhaust 220SEb  | 41 |
| 49a Exhaust 250/280SE/C, mild steel                          | 42 |
| 49b Exhaust 280SE/C 3.5                                      | 43 |
| 49c Exhaust, 4-cyl. 1955-1967                                | 44 |
| 50 Cooling System  | 45 |
| 50.c Radiator hoses from 220 up to 3.5                       | 45 |
| 54c Electric, universal small parts at wiring                | 46 |
| 58 Tools for classic MB veh., non universal                  | 48 |
| 61.a Floors1955-1962 "Platform Pontoon"                      | 49 |
| 61/62 W111Cpe/Cab Front and Floor                            | 50 |
| 61.b Floors and Rep-Panels 1959-1972 "Platform 110"          | 51 |
| 61.c Floors- and Body Rep.-Panelling Types from Platform 114 | 53 |
| 63/64 Panelling Tail+Roof W111Cpe/Cab                        | 54 |
| 67.d Window and seal W111-2-door                             | 56 |
| 67.c Windows and Door Ponton Cpe/Cab                         | 57 |
| 67.g Window glass, G-models                                  | 58 |
| 67, 72, 75 Weatherstrips Coupe 114, 123, ..                  | 59 |
| 68 111Cpe Covering Interior, Insulation                      | 60 |
| 69/88 Trims at Sidepanel                                     | 62 |
| 67/72/75 Weatherstrips 4-door vehicles                       | 63 |

|   |    |
|---|----|
| 67/72/75 Weatherstrips W110+111+112(4-door), 108+109    | 63 |
| 67/72/75 Weatherstrips W114+115(4-door), W123, W116     | 63 |
| 72/75 Weatherstrips W126 (4-door), W201, W124           | 63 |
| 72.b Doors W111 Coupe/Convertible                       | 65 |
| 75 Bootlid W111-108                                     | 67 |
| 81/86 Outer Mirror, Wiperblades, Wheel Trim             | 68 |
| 82 Headlamp S/SE/SEb/SE C                               | 70 |
| 82.c Tail Lights W111-2-door (Cab/Cpe)                  | 72 |
| 83 Heater System W111 Coupe/Cabriolet                   | 74 |
| 88 Front Grille Trim                                    | 75 |
| 88.c Body attachments W111 late style                   | 76 |
| 91 Seat komponents fitting 110 up to 116                | 77 |
| 97 flexible hoses, by meter, assorted by inner diameter | 78 |
| 98.a Rubbergrommets sorted by design                    | 80 |
| 98.b frequently required screws for equipment           | 82 |
| 98.c panelling nuts, mechanical locking nuts            | 88 |
| 98.d Seal rings of metal or rubber, Fittings            | 89 |
| 98.e fitting components, plastic, small                 | 90 |
| 98.f Filament light bulbs                               | 91 |
| 98.g V-Belts, Ribbed V-Belts                            | 93 |

Jacobsrade 27 · D-22962 Siek  
Tel. +49(0)40 656 939-0 · Fax +49(0)40 656 939-399  
I-net: [www.sls-hh.de](http://www.sls-hh.de) · e-mail: [service@sls-hh.de](mailto:service@sls-hh.de)

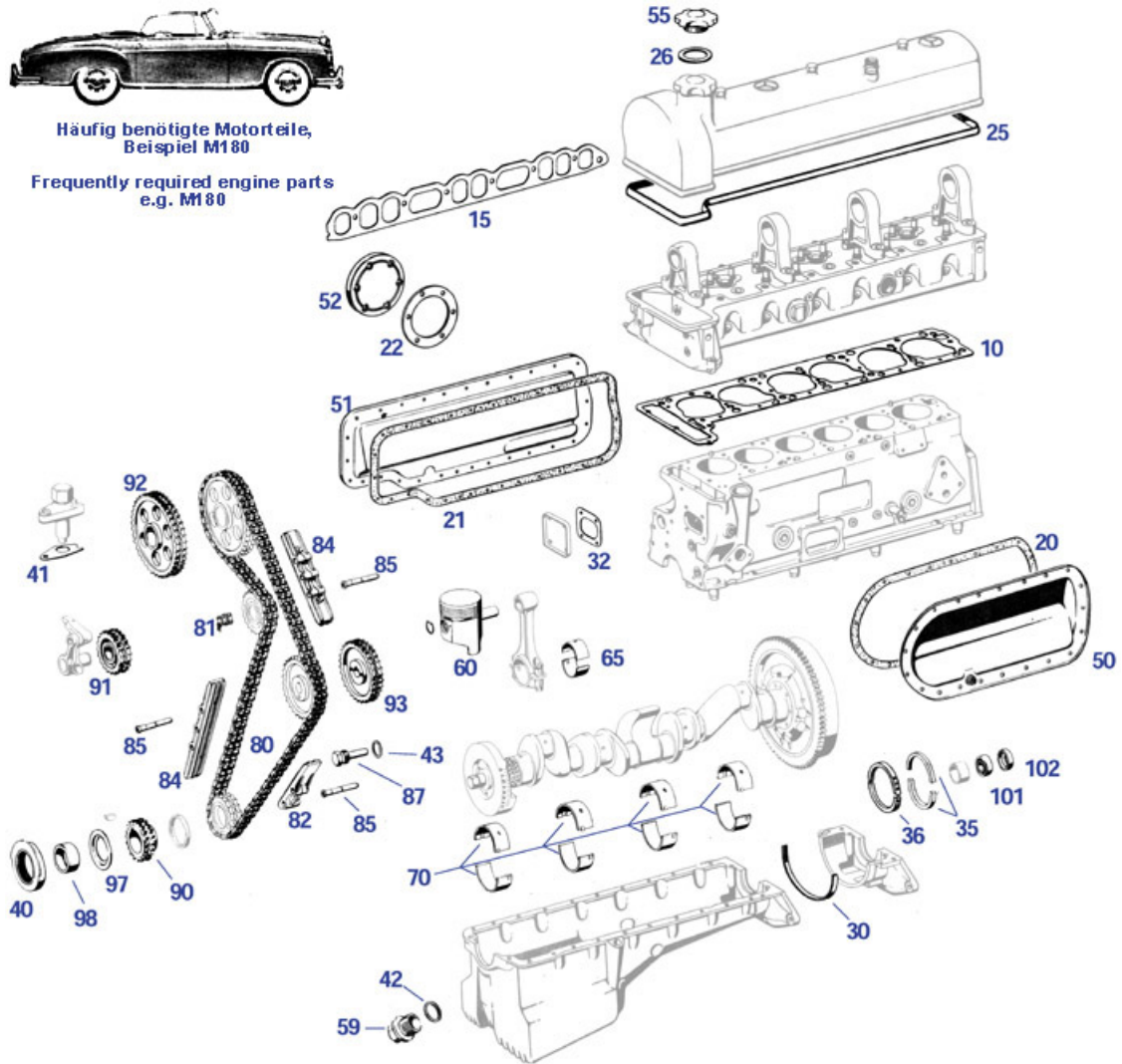
# 01, 03 Frequently required engine parts M180

01, 03 Frequently required engine parts M180



Häufig benötigte Motorteile,  
Beispiel M180

Frequently required engine parts  
e.g. M180



|      |   |                        |          |     |   |                        |          |
|------|---|------------------------|----------|-----|---|------------------------|----------|
| bolt | Bolt, hand driven, valve cover                      | <a href="#">105105</a> | 158,98 € |     | Cyl head gasket 220SE/SEb except LowComp          | <a href="#">301021</a> | 287,39 € |
|      | hex. socket head cap screw 12.9 M12 X 110           | <a href="#">801110</a> | 3,69 €   |     | Head gasket set Ponton 190 b                      | <a href="#">402210</a> | 160,41 € |
|      | Sicherungsdraht für Gleitschiene                    | <a href="#">405099</a> | 2,03 €   |     | Piston 81.50 für "220" div.: M180, M127FN         | <a href="#">403033</a> | 375,83 € |
| 10b  | head gasket, referring 1800710080                   | <a href="#">801021</a> | 224,90 € | 10b | Cyl head gasket M130V early (eng-no!)             | <a href="#">801020</a> | 83,94 €  |
| 10   | Cylinder head gasket 220S.. FN                      | <a href="#">401023</a> | 399,00 € | 10  | head gasket similar 1800164620, e.g. M180 - 8,7:1 | <a href="#">401024</a> | 130,00 € |
| 15   | Gasket, in/outlet manifold,                         | <a href="#">414080</a> | 14,72 €  | 19  | valve shaft seals 230 (180.945)                   | <a href="#">305088</a> | 12,98 €  |
| 20   | Gasket for 401002, M180                             | <a href="#">401030</a> | 14,88 €  | 21  | Gasket for 401000, M180                           | <a href="#">401099</a> | 16,66 €  |
| 22   | Gasket,water valve cover, 6-hole                    | <a href="#">201029</a> | 2,00 €   | 25  | Rockerbox gasket6-cyl: 220S/SE-280S               | <a href="#">401010</a> | 8,87 €   |
| 26   | Sealing ring, oil cap (metal screw on cap)          | <a href="#">101055</a> | 4,30 €   | 32  | A1140110080 Gasket, crankcase, front              | <a href="#">401035</a> | 9,98 €   |
| 35   | Felt-seal rr crank, 6mm ->05.61                     | <a href="#">105047</a> | 6,88 €   | 36  | A1800310058 Sealing ring holder, rear,            | <a href="#">405046</a> | 145,00 € |
| 40   | C/S seal ring frt 6-cyl, collar 180°                | <a href="#">203946</a> | 13,55 €  | 40  | Seal ring C/S frt M127 early, slim shape          | <a href="#">303046</a> | 12,20 €  |
| 40   | C/S frt seal ring, collar 360°,M127+others, picture | <a href="#">303946</a> | 9,38 €   | 40  | Oilseal, C/S frt., no collar                      | <a href="#">203046</a> | 20,38 €  |
| 41   | Chain tensioner                                     | <a href="#">205130</a> | 349,50 € | 41  | Gasket,tensioner to head,921->018422              | <a href="#">105135</a> | 12,88 €  |
| 42   | Sealing ring fits lage sump drain plug (M26)        | <a href="#">299301</a> | 0,31 €   | 43  | Seal ring f. bolt 705004                          | <a href="#">705005</a> | 0,68 €   |

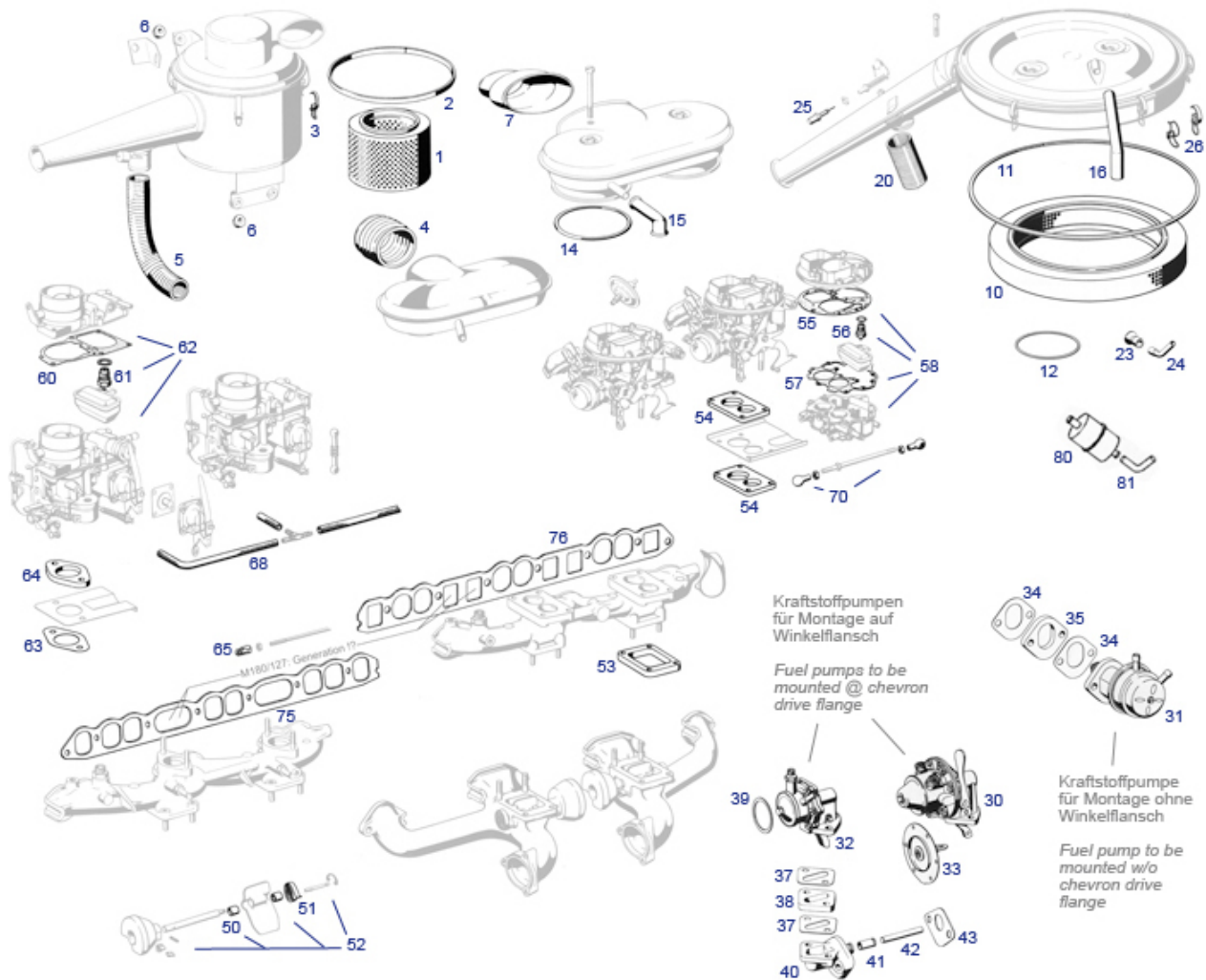
|     |  |                        |          |     |   |                        |          |
|-----|--|------------------------|----------|-----|---|------------------------|----------|
| 50  | A1800100510 Crankcase side cover, lt.,             | <a href="#">401002</a> | 399,00 € | 51  | A1800150505 Crankcase side cover, rt.       | <a href="#">401000</a> | 255,01 € |
| 52  | Cylinder block cover, 6-hole                       | <a href="#">201026</a> | 2,05 €   | 59  | Sump plug, version inhex                    | <a href="#">299300</a> | 4,69 €   |
| 60  | N/A ! A1800301018 last on stock: Piston M180       | <a href="#">403030</a> | 380,00 € | 60  | Piston 81.00 für "220" div.: M180, M127FN   | <a href="#">403031</a> | 376,85 € |
| 60  | Piston 80.00 für "220" div.: M180 Standard, M127FN | <a href="#">403028</a> | 375,30 € | 65  | A1800301160 Con. rod bearing set 47.75      | <a href="#">303131</a> | 998,99 € |
| 70  | Cs.bearing set 230SL 59.25mm                       | <a href="#">203039</a> | 163,86 € | 70  | Cs.bearing set 230SL 59.00mm                | <a href="#">203040</a> | 176,00 € |
| 70  | Cs.bearing set 59.50mm M127                        | <a href="#">203038</a> | 189,45 € | 70  | Cs.bearing set 230SL 59.75mm                | <a href="#">203037</a> | 190,00 € |
| 70  | Cranks.bearing set 60.00 , M127                    | <a href="#">203036</a> | 199,99 € | 80  | Timing chain M180                           | <a href="#">405003</a> | 62,90 €  |
| 80  | Roller chain M115...                               | <a href="#">599013</a> | 52,06 €  | 81  | MasterLink Duplex chain (content of chain)  | <a href="#">199013</a> | 2,55 €   |
| 82  | Chainguide,new,all plastic                         | <a href="#">205010</a> | 3,00 €   | 82  | Chainguide short, design meets old original | <a href="#">105006</a> | 189,97 € |
| 84  | Chain guide, long, alu base                        | <a href="#">105004</a> | 145,92 € | 84  | Chainguide, long, plastic, FEBI             | <a href="#">205029</a> | 3,67 €   |
| 85  | Pin, 51mm- until 8501731                           | <a href="#">105820</a> | 10,76 €  | 85  | Pin for chain guide, L 48,5mm               | <a href="#">105830</a> | 12,25 €  |
| 90  | Crankshaft sprocket                                | <a href="#">103011</a> | 32,67 €  | 91  | Tensioner sprocket+bushing, Repro           | <a href="#">105002</a> | 156,95 € |
| 92  | Camshaft sprocket M121,127,129,130,.. FEBI         | <a href="#">105001</a> | 24,15 €  | 93  | Intermediate sprocket, "B-quality"          | <a href="#">105007</a> | 96,15 €  |
| 97  | Oil reject ring                                    | <a href="#">103012</a> | 7,79 €   | 98  | Ring, spacer, 230-280SL                     | <a href="#">203045</a> | 31,00 €  |
| 101 | Pilot bearing                                      | <a href="#">103093</a> | 11,31 €  | 102 | Cover, pilot bearing                        | <a href="#">103094</a> | 1,81 €   |
| 999 | Air filter element 220S, Germany                   | <a href="#">409030</a> | 73,64 €  | 999 | Ign lead set eg 220S Pontoon                | <a href="#">415100</a> | 107,10 € |
| 999 | Metal tube, raw, ign.leads 6-Cyl                   | <a href="#">415110</a> | 29,24 €  | 999 | Vergaserüberholsatz Solex 32/34 PAITA       | <a href="#">407150</a> | 75,45 €  |
| 999 | rail, chain guide, several M115 types              | <a href="#">505006</a> | 44,63 €  | 999 | Ölpumpe z.B. M115.920                       | <a href="#">518400</a> | 160,28 € |
| 999 | Vorkammer 200 D                                    | <a href="#">301999</a> | 113,05 € | 999 | 1-2-3 distributor 6-cyl ->'62               | <a href="#">415801</a> | 355,00 € |

## 01, 03 häufig gefragte Motorteile Limo-Benziner ab 1968

|   |                        |         |   |                        |          |
|---|------------------------|---------|---|------------------------|----------|
| O-Ring Peilstabrohr zB 127.982            | <a href="#">301397</a> | 1,50 €  | Gasket intake/exh. manifold                   | <a href="#">414000</a> | 17,99 €  |
| Cyl head gasket e.g. 114.920              | <a href="#">501022</a> | 54,94 € | Oil pan lower part: V8 sedan                  | <a href="#">701314</a> | 38,18 €  |
|   |                        |         | M116/M117 w.version steel section             |                        |          |
| Oil pan gasket, V8 with steel pan, ELRING | <a href="#">701401</a> | 30,76 € | oil pan gasket, V8 with steel pan             | <a href="#">701418</a> | 15,14 €  |
| Cyl head gasket M130V early (eng-no!)     | <a href="#">801020</a> | 83,94 € | head gasket, referring 1800710080             | <a href="#">801021</a> | 224,90 € |
| Cyl head gasket M130V from FN             | <a href="#">801022</a> | 64,76 € | head gasket Elring 830187, try 801021 instead | <a href="#">801721</a> | 46,93 €  |

# 07/09/14 Air/Fuel, Carb-models '59-'76

07/09/14 Air/Fuel, Carb-models '59-'76



|    |   |                        |         |    |   |                        |          |
|----|---|------------------------|---------|----|---|------------------------|----------|
|    | Air filter insert, e.g. 230/230C M115             | <a href="#">509402</a> | 27,44 € | 1  | Air filter element 220S, no-name product  | <a href="#">409830</a> | 53,55 €  |
| 1  | Air filter element 220S, Germany                  | <a href="#">409030</a> | 73,64 € | 1  | Luftfiltereinsatz 200-250 kl.Tonnenform   | <a href="#">809400</a> | 21,54 €  |
| 1  | Air filter element                                | <a href="#">409400</a> | 35,33 € | 2  | Seal for Air filter Lid (1m)   A0000942079  | <a href="#">214020</a> | 4,17 €   |
| 4  | Air hose ca. 200mm                                | <a href="#">809001</a> | 53,10 € | 4  | A1290940082   | <a href="#">809003</a> | 89,99 €  |
| 10 | Luftfiltereinsatz M130/114 V 250C/280S            | <a href="#">509400</a> | 30,80 € | 14 | Seal ring AIT-housg to INAT-Carb  | <a href="#">509045</a> | 6,14 €   |
| 15 | Engine ventilation                                | <a href="#">209805</a> | 5,02 €  | 30 | Fuel pump, as original with primer lever with gasket(s) screw-in fitting, fuel hose connection, M12X1,5 8mm diam. | <a href="#">109090</a> | 308,88 € |
| 31 | Mech. fuel pump, engines with no drive flange     | <a href="#">509092</a> | 70,50 € | 32 | Fuel pump, several carb cars e.g. 115   | <a href="#">409012</a> | 6,19 €   |
| 32 | Fuel pump, div., see picture                      | <a href="#">509790</a> | 71,00 € | 32 | Repair Kit Fuel Pump   A0005860009  | <a href="#">509190</a> | 60,69 €  |
| 32 | Fuel pump similar 509190, but labelled "Pierburg" | <a href="#">509090</a> | 97,28 € | 33 | Gasket, fuel pump to insul.flange   | <a href="#">109010</a> | 93,91 €  |
| 34 | Gasket at crankcase, 190SL, M110 early,           | <a href="#">109004</a> | 0,51 €  | 37 | Gasket, fuel pump to insul.flange   | <a href="#">109002</a> | 1,88 €   |
| 43 | Gkt.Rt.h. cover .982(7)986,990                    | <a href="#">709004</a> | 2,34 €  | 50 | Coil spring, warm up flap shafts  | <a href="#">414016</a> | 14,10 €  |
| 53 | Flange insulating                                 | <a href="#">414100</a> | 19,04 € | 58 | Rep-kit carb. INAT 35/40  | <a href="#">507280</a> | 129,70 € |
| 60 | Gasket Carb.lid                                   | <a href="#">407060</a> | 6,55 €  | 61 | Dichtring zB am Nadelventil   | <a href="#">499078</a> | 2,17 €   |
| 62 | Vergaserüberholsatz Solex 32/34 PAITA             | <a href="#">407150</a> | 75,45 € | 62 | Starterkraftstoffdüse "100"   | <a href="#">407079</a> | 16,27 €  |
| 68 | 1m Fuel hose 5,5mm e.g. 107-fuel vent.            | <a href="#">247847</a> | 3,92 €  | 68 | Hose, 8,5/15mm, 1 metre   | <a href="#">247050</a> | 12,60 €  |



|    |                                     |                        |         |    |                                   |                        |         |
|----|-------------------------------------|------------------------|---------|----|-----------------------------------|------------------------|---------|
| 68 | 1m. Fuel hose 7,5x13,0 flat surface | <a href="#">247007</a> | 8,50 €  | 68 | 1m Fuel hose tank->pump           | <a href="#">247005</a> | 10,41 € |
|    |                                     |                        |         |    | 11/17mm, fabric                   |                        |         |
| 70 | Nut, 5mm, right hand thread         | <a href="#">199095</a> | 0,24 €  | 70 | Ball socket with Lt. hand threads | <a href="#">230004</a> | 2,44 €  |
| 70 | Nut, 5mm Lt. Hd. Threads            | <a href="#">230006</a> | 0,83 €  | 75 | Gasket, in/outlet manifold,       | <a href="#">414080</a> | 14,72 € |
| 76 | Manifold Gasket M127-130            | <a href="#">249090</a> | 14,40 € | 80 | Fuel filter                       | <a href="#">447701</a> | 2,38 €  |
|    | "REINZ"                             |                        |         |    |                                   |                        |         |

## 07 injection systems components if not found in "SL"

|                                      |                          |         |  |                        |          |
|--------------------------------------|--------------------------|---------|--|------------------------|----------|
| Gasket                               | <a href="#">307088</a>   | 2,74 €  | Luftfiltereinsatz zB M102/W123           | <a href="#">609409</a> | 13,26 €  |
| Air hose ca. 200mm                   | <a href="#">809001</a>   | 53,10 € | A1290940082                              | <a href="#">809003</a> | 89,99 €  |
| Rubber cap, ECU-unit connector       | <a href="#">854359</a>   | 69,91 € | Inj-Distr-Rep-Kit 280 Alloy-K-A          | <a href="#">507807</a> | 95,18 €  |
| Inj-Distr-Rep-Kit 230                | <a href="#">507804</a>   | 83,98 € | Inj-Distr-Rep-Kit 230                    | <a href="#">507805</a> | 72,79 €  |
| Inj-Distr-Rep-Kit W201/124           | <a href="#">507802</a>   | 91,45 € | Gasket kit Inj-pump, fits engines 6.3    | <a href="#">807630</a> | 126,88 € |
| Flange for 2 injectors, 220SEb       | <a href="#">307017</a>   | 90,44 € | Air filter e.g. 220SE (127.980)          | <a href="#">309401</a> | 77,35 €  |
| Hose, IAC to KE bottom, M102 (no-AC) | <a href="#">509248</a>   | 7,91 €  | Hose, breather to IAC valve M102 KE      | <a href="#">509249</a> | 14,02 €  |
| Lower rubber housing, CIS-flap M102  | <a href="#">W2414320</a> | 58,89 € | hose, idle air valve to manif. 102 early | <a href="#">509215</a> | 7,34 €   |

## 15 Ignition, Generator, Starter for Petrol engines R4 and R6

### 15.c Ignition 4-cyl div. 190-230

|                                     |                        |          |                                    |                        |          |
|-------------------------------------|------------------------|----------|------------------------------------|------------------------|----------|
| spark plug connector Bakelit angled | <a href="#">415056</a> | 14,99 €  | Metal tube, raw, ign.leads 6-Cyl   | <a href="#">415110</a> | 29,24 €  |
| 1-2-3 Ignition Distributor fits     | <a href="#">515801</a> | 355,00 € | Ignition lead set, div. M102       | <a href="#">515124</a> | 74,85 €  |
| multiple 4 Cyl. models              |                        |          |                                    |                        |          |
| Rotor e.g. M102.980, BOSCH          | <a href="#">515213</a> | 14,79 €  | Distributor cap e.g.               | <a href="#">515209</a> | 126,93 € |
|                                     |                        |          | M102.96xx/98xx NO CAT, BOSCH       |                        |          |
| Connector                           | <a href="#">715016</a> | 18,77 €  | Wire bushing with treaded pin      | <a href="#">515999</a> | 2,37 €   |
| rubber cap ID 11mm eg spark plug    | <a href="#">515998</a> | 0,87 €   | Spark plug NGK BP6 EFS, M102       | <a href="#">515219</a> | 3,12 €   |
| connectors                          |                        |          | KE-Europe, M103.980                |                        |          |
| Ignition coil, late 190SL, others,  | <a href="#">115702</a> | 49,98 €  | Ignition coil, late 190SL, others, | <a href="#">115602</a> | 43,85 €  |
| Beru                                |                        |          | NGK                                |                        |          |

### 15.d Ignition 6-cyl div. 220 to 280

|                                     |                        |         |                                     |                        |          |
|-------------------------------------|------------------------|---------|-------------------------------------|------------------------|----------|
| Condenser f.'Alu' w.no1-lead        | <a href="#">215037</a> | 8,51 €  | Connector                           | <a href="#">715016</a> | 18,77 €  |
| Ignition coil, late 190SL, others,  | <a href="#">115602</a> | 43,85 € | Distributor cap 230-280SL "A"       | <a href="#">215708</a> | 55,69 €  |
| NGK                                 |                        |         | made in Germany                     |                        |          |
| Ignition coil, late 190SL, others,  | <a href="#">115702</a> | 49,98 € | Vacuum unit, dist. , 'A', Repro, no | <a href="#">515834</a> | 63,14 €  |
| Beru                                |                        |         | tech documents                      |                        |          |
| Rotor e.g. M114.980                 | <a href="#">515812</a> | 9,90 €  | rubber cap ID 11mm eg spark plug    | <a href="#">515998</a> | 0,87 €   |
|                                     |                        |         | connectors                          |                        |          |
| Wire bushing with treaded pin       | <a href="#">515999</a> | 2,37 €  | Rotor e.g. M114.980                 | <a href="#">515212</a> | 21,97 €  |
| spark plug connector Bakelit angled | <a href="#">415056</a> | 14,99 € | Distributor cap e.g. M114.980       | <a href="#">515208</a> | 105,81 € |
| Rotor, e.g. M130 E late, 5kOhms     | <a href="#">815008</a> | 8,46 €  | Pointer set 280S...                 | <a href="#">815003</a> | 6,93 €   |
| Point Set M180, M127 "Beru"         | <a href="#">415813</a> | 8,02 €  | 1-2-3 distributor 6-cyl ->'62       | <a href="#">415801</a> | 355,00 € |
| Metal tube, raw, ign.leads 6-Cyl    | <a href="#">415110</a> | 29,24 € | Ign lead set eg 220S Pontoon        | <a href="#">415100</a> | 107,10 € |

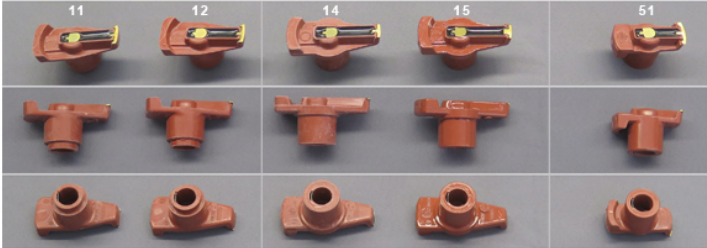
### 15.e Starters and Generators div

|                                     |                        |          |                                   |                        |          |
|-------------------------------------|------------------------|----------|-----------------------------------|------------------------|----------|
| Lima-Spannschraube                  | <a href="#">415023</a> | 15,17 €  | co-current flow regulator 14V 30A | <a href="#">415066</a> | 217,87 € |
| generator 240W repair set (220 div, | <a href="#">115816</a> | 44,15 €  | Regulator 14V/11Amps (130W)       | <a href="#">415065</a> | 219,41 € |
| + 190c)                             |                        |          | Bosch, elektr.                    |                        |          |
| Starter drive gear 190SL, no name   | <a href="#">115830</a> | 249,50 € | Regulator for 30A DC Generators,  | <a href="#">415766</a> | 261,80 € |
|                                     |                        |          | 220SE, Repro                      |                        |          |

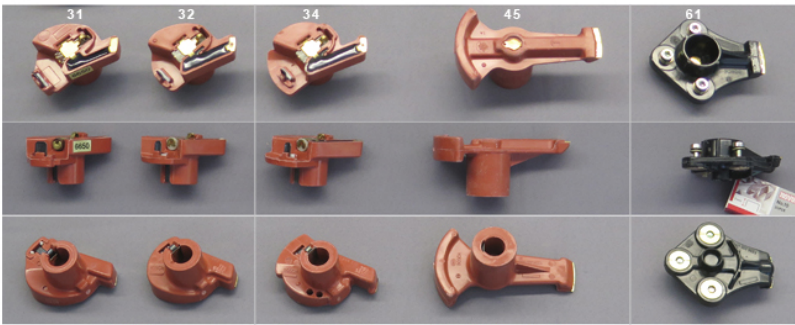
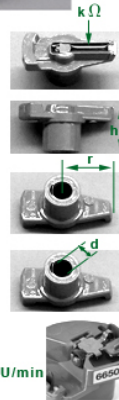
### 15.i Distributor rotors, info



4- und 6-Zylinder, Generationen kontaktgesteuerte Zündung  
(und erste Generation mit Nachschalt-Transistor)



M110 ohne Fliehkraft, M114E M116/M117  
Generation mit weiter erhöhter Zündspannung  
ohne Fliehkraftbegrenzer (D-Jet bis FN, K-Jet ab..bis..)  
4-Zyl., zB. M102



M110 M116/M117 M116/117 ab EZL M103, M119 :  
Generation mech. Fliehkraftbegrenzer (Kat'85, RUEF) Typen mit NW-  
(Übergangslösung: D-Jet ab FN, K-Jet bis FN) Stirnverteilern

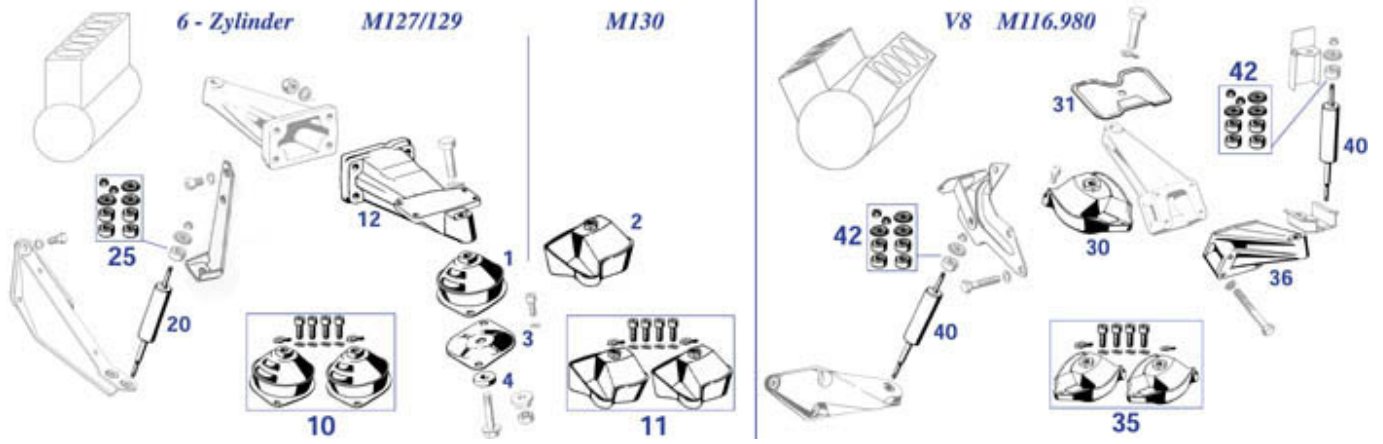
|    |  |                        |          |    |  |                        |          |
|----|--|------------------------|----------|----|--|------------------------|----------|
| 1  | Rotor distr.,Beru, 190SL, R113<br>"iron cast distr"            | <a href="#">115004</a> | 15,73 €  | 2  | Distributor rotor button                             | <a href="#">115024</a> | 18,80 €  |
| 3  | Distributor rotor, phenolic resin                              | <a href="#">115026</a> | 16,91 €  | 4  | Rotor arm, 280SL 'A' , Bosch                         | <a href="#">215011</a> | 34,99 €  |
| 5  | Rotor distr.,FACET, 190SL, R113<br>"iron cast distr"also 1-2-3 | <a href="#">215704</a> | 14,88 €  | 6  | Rotor distr.,Bosch, 190SL, R113<br>"iron cast distr" | <a href="#">215804</a> | 45,73 €  |
| 7  | Rotor, e.g. M130 E late, 5kOhms                                | <a href="#">815008</a> | 8,46 €   | 11 | Rotor e.g. M114.980                                  | <a href="#">515212</a> | 21,97 €  |
| 11 | Rotor e.g. M114.980  | <a href="#">515812</a> | 9,90 €   | 12 | Rotor 280 from 110.990 Bosch                         | <a href="#">715212</a> | 29,99 €  |
| 14 | Rotor , V8, eng Data req                                       | <a href="#">715312</a> | 66,75 €  | 15 | Rotor V8 ca. '81-'85                                 | <a href="#">715313</a> | 70,00 €  |
| 32 | Rotor 280 with limiter 6600                                    | <a href="#">715213</a> | 217,87 € | 34 | Rotor 450 and 5.0 early: limiter<br>5850 U/min,      | <a href="#">715411</a> | 281,11 € |
| 45 | Rotor arm V8 09.85->   | <a href="#">715412</a> | 60,20 €  | 51 | Rotor e.g. M102.980, BOSCH                           | <a href="#">515213</a> | 14,79 €  |
| 51 | Rotor e.g. M102.96... from Cat/EZL                             | <a href="#">515214</a> | 12,27 €  | 61 | Distrib.rotor e.g. 300SL-24 M104 up<br>to FN, Bosch  | <a href="#">915311</a> | 63,62 €  |

## 15.z Spark Plugs Table BOSCH BERU NGK



## 22 Engine mounts W111 Cpe. front

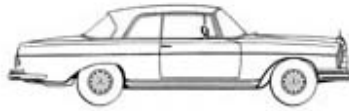
22 Engine mounts W111 Cpe. front



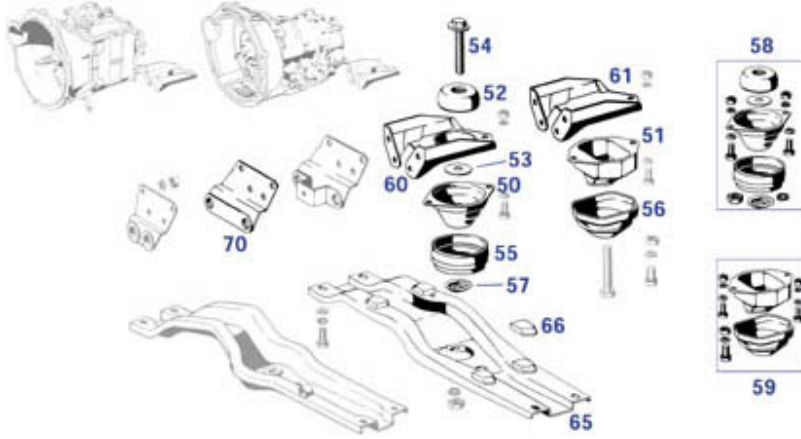
|   |                                    |                        |         |    |  |                        |         |
|---|------------------------------------|------------------------|---------|----|--|------------------------|---------|
| 1 | Enginemountfrt.6-cyltypes          | <a href="#">222010</a> | 34,14 € | 2  | Engine mount W111Cpe. 280SE/C,frt. Lt.+ rbr engine mount | <a href="#">322025</a> | 25,63 € |
| 4 | Rubber shim 5mm eng support buffer | <a href="#">122039</a> | 2,08 €  | 30 |  | <a href="#">322816</a> | 43,90 € |

## 22/24 Engine Mounts W111 Cpe. rear

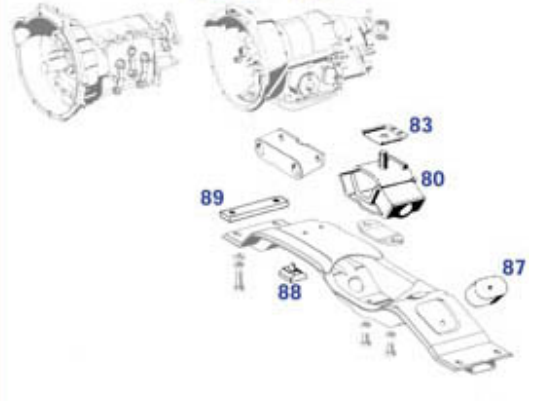
22/24 Engine Mounts W111 Cpe. rear



02.1961 - 05.1969 "kurze Getriebe" / Gearbox "short housing"



05.1969 - 07.1971



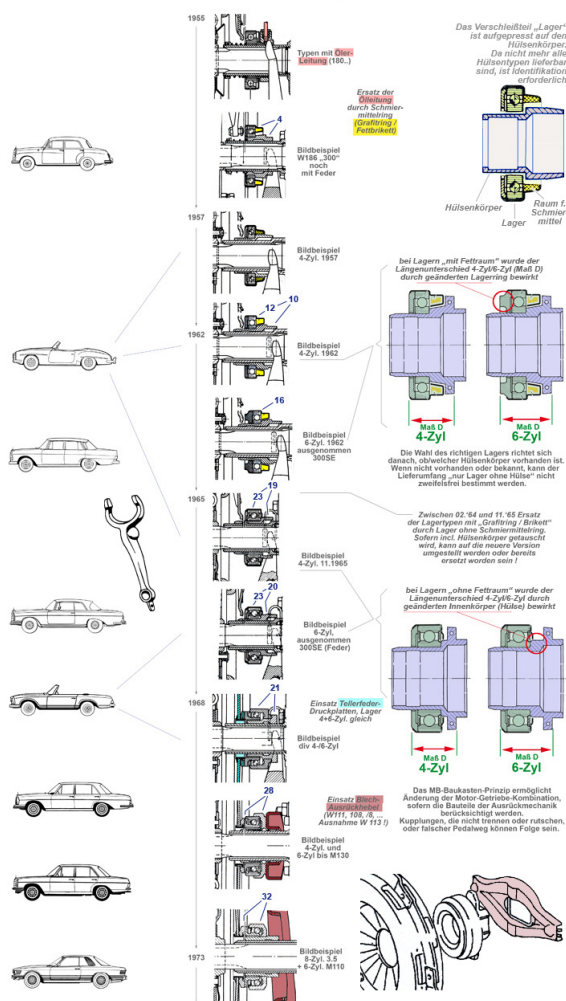
|    |                                     |                        |         |    |                                 |                        |         |
|----|-------------------------------------|------------------------|---------|----|---------------------------------|------------------------|---------|
| 52 | Rubberbuffer/bellow                 | <a href="#">322035</a> | 5,15 €  | 53 | Rubbershim                      | <a href="#">322039</a> | 1,20 €  |
| 54 | Bolt,rr.eng.mount 220SE/230SL early | <a href="#">222021</a> | 14,70 € | 55 | Bellows, rear eng.mount         | <a href="#">122830</a> | 10,13 € |
| 57 | Plate, bellows @ engine mount       | <a href="#">122035</a> | 10,57 € | 80 | Engine mount rr.'S/SE' 5.69 --> | <a href="#">322022</a> | 33,56 € |

## 25 Clutch, from Ponton up to 114/115

### 25.i Info Ausrücklager Ponton bis 114/115

25.i Info Ausrücklager Ponton bis 114/115

Info: Entwicklung und mögliche Ersetzungen der Ausrücklager  
in MB-PKW 1955-1975  
SL-Typen, div. Limousinen ausgenommen HYDRAK und 300/300S/SE  
Hilfe zur Identifikation der passenden Einzelteile



|     |  |                        |          |    |   |                        |          |
|-----|--|------------------------|----------|----|---|------------------------|----------|
| div | Spring clamp                                 | <a href="#">125013</a> | 19,85 €  |    | Thrust plate 228mm, leaf spring style                 | <a href="#">525002</a> | 95,20 €  |
| 2   | T/O bearg, replaces oil-line-version         | <a href="#">425804</a> | 115,99 € | 12 | T/O bearing 4-Cyl, fits '58-'65 -sleeve               | <a href="#">125002</a> | 37,98 €  |
| 12  | T/O bearg 4-Cyl, fits sleeve '58-'65         | <a href="#">125802</a> | 84,49 €  | 16 | T/O bearg. w/o sleeve 6-cyl 62-65                     | <a href="#">425007</a> | 83,30 €  |
| 19  | T/O Cluch bearg. with body, 4-Cyl/FN         | <a href="#">325003</a> | 142,99 € | 20 | T/O bearing+bushing 250/280SL +sev 6-Cy               | <a href="#">225803</a> | 219,19 € |
| 21  | F+S 3151137101 Clutch bearing 280SL-113 H30* | <a href="#">225004</a> | 337,17 € | 21 | Clutch bearing 280SL-113 H30* Repro ref 3 151 137 101 | <a href="#">225704</a> | 297,50 € |
| 23  | Release bearing fits sleeve '65-'68          | <a href="#">225807</a> | 88,95 €  | 28 | T/O bearing cplt W114/115 FN, see photo               | <a href="#">525003</a> | 24,28 €  |

### 25.h, 29 hydraulic components, clutch release

|                                  |                        |          |                                       |                        |          |
|----------------------------------|------------------------|----------|---------------------------------------|------------------------|----------|
| Nehmerzyl. z.B. 110.010          | <a href="#">329004</a> | 65,87 €  | Rep.-Satz Nehmerzylinder              | <a href="#">329033</a> | 14,64 €  |
| excentrical nut for clutch pedal | <a href="#">529999</a> | 10,71 €  | Rep.-Satz Geberzylinder zB 350SL/C FN | <a href="#">729034</a> | 22,68 €  |
| Nehmerzylinder W111/108 3.5      | <a href="#">829004</a> | 166,60 € | Geberzylinder 111/108 69->, 114 div   | <a href="#">829009</a> | 118,65 € |



## 26, 27 frequently asked transmission parts Aut+Man

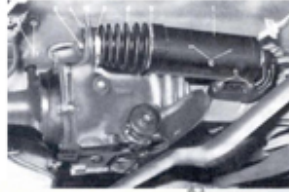
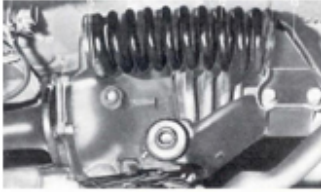
26, 27 transmission parts Aut+Man



|                |  |                        |          |                |   |                          |          |
|----------------|--|------------------------|----------|----------------|---|--------------------------|----------|
| housing_ parts | Plug screw M22 with collar                         | <a href="#">114035</a> | 24,61 €  |                | Nut, to shaft                                   | <a href="#">526071</a>   | 3,15 €   |
| housing_ parts | Autom.oil filter+gasket,8-cyl->3.80                | <a href="#">727802</a> | 15,92 €  |                | Oil pan Autom. 722.4 xx                         | <a href="#">W2327207</a> | 125,96 € |
| housing_ parts | gasket kit, 4-speed, 716.2, e.g. 201-124           | <a href="#">526300</a> | 50,53 €  |                | oil seal output shaft, 42 X 62 X 8              | <a href="#">R2927040</a> | 5,81 €   |
|                | gear bearing set, 8pcs.                            | <a href="#">226860</a> | 809,20 € |                | Seal ring rear gearbox shaft, e.g. 4sp G76/18.. | <a href="#">526230</a>   | 5,07 €   |
| housing_ parts | Lock for 3 way flange                              | <a href="#">126871</a> | 4,33 €   |                | Seal ring input shaft eg G717 5-sp              | <a href="#">926042</a>   | 14,35 €  |
| housing_ parts | Gasket set, manual-4-speed gears FN                | <a href="#">726300</a> | 32,71 €  | housing_ parts | Seal, Autm-oil pan, Autom-box types 722.4       | <a href="#">527204</a>   | 4,57 €   |
|                | clutch-set 1968 - 280, 4gear shift                 | <a href="#">225702</a> | 499,80 € |                | Seal ring man-gear driveshaft, OD=47mm          | <a href="#">526042</a>   | 3,68 €   |
|                | Seal ring inp-shaft eg G716,717..                  | <a href="#">526030</a> | 8,71 €   | housing_ parts | Plug screw with collar, M24                     | <a href="#">226046</a>   | 1,64 €   |
| housing_ parts | Seal Ring   gear box drain plug                    | <a href="#">226047</a> | 0,44 €   |                | ball bearing countershafts, 25x62x17            | <a href="#">226076</a>   | 52,18 €  |
| housing_ parts | Rep.-Satz Nehmerzylinder                           | <a href="#">329033</a> | 14,64 €  |                | Ball bearing, main shaft                        | <a href="#">226959</a>   | 82,38 €  |
| 5              | synchronizer ring 1152623134                       | <a href="#">526050</a> | 8,33 €   | 5              | Synchronizer ring 115 262 1634, OD ca 71,5      | <a href="#">526052</a>   | 27,37 €  |
| 5              | Synchronizer ring 1152623034                       | <a href="#">526053</a> | 27,37 €  | 5              | Synchronring                                    | <a href="#">226850</a>   | 22,49 €  |
| 5              | Syncronizer ring e.g. G717, 1152622934             | <a href="#">526051</a> | 27,37 €  | 7              | grommet, diagonal                               | <a href="#">998752</a>   | 4,74 €   |
| 10             | Cuff steering wheel circuit LHD                    | <a href="#">826006</a> | 8,97 €   | 12             | clip, e.g. man.-shift links                     | <a href="#">526045</a>   | 0,40 €   |
| 12             | excentrical nut for clutch pedal                   | <a href="#">529999</a> | 10,71 €  | 12             | link, pan, shift mechanism                      | <a href="#">326034</a>   | 5,62 €   |
| 12             | End piece shift linkage                            | <a href="#">726038</a> | 6,46 €   | 15             | Buchse, Schaltgestänge                          | <a href="#">726111</a>   | 1,08 €   |
| 15             | Change lever bearing, autom.                       | <a href="#">726110</a> | 1,15 €   | 20             | Plastic inlay, shift gate C111, "p" front       | <a href="#">326101</a>   | 22,49 €  |
| 25             | Gear lever knob,black,4 speed, Repro               | <a href="#">226000</a> | 46,34 €  | 25             | Knob ivory, 4-speed, push-on, Repro             | <a href="#">226002</a>   | 45,80 €  |
| 40             | Lever bellow, rubber, design 123, fits mid.gen 107 | <a href="#">726805</a> | 89,25 €  | 40             | Rubber surround, lever box ->'85                | <a href="#">727005</a>   | 6,05 €   |

## 32/35.i Info Hyd. pneum spring assy W110, W111, W108

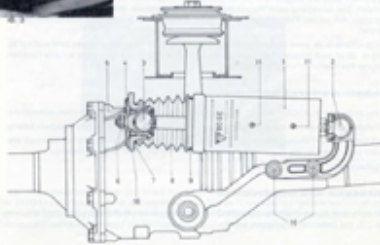
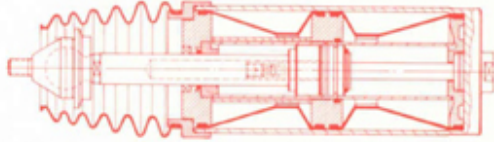
32/35.i Info Hyd. pneum spring assy W110, W111, W108



Seit ca. 1967 wird als Abhilfe gegen ein "hängendes Fahrzeugheck" bei beladenen Fahrzeugen (Typen mit Pendelachse) der Hydropneumatische Ausgleichsdämpfer "Boge-Hydromat" an Stelle der Ausgleichsfeder über dem Differential eingesetzt.



Einsendung Ihres Altteils, Annahme und Identifikation



Technisch gesehen ist es der Vorläufer der hydraulischen Niveauregulierung in einem Dämpfergehäuse ohne eine externe Öldruckpumpe.

Im liegend eingebauten, kompakten Gehäuse führt das Eintauchen bei Last zu einer Ventilreaktion und bewirkt bei nachfolgenden Federvorgängen ein Umpumpen von Öl gegen einen membrangetrennten Gasdruckraum.

Ein neuer oder fachgerecht überholter Dämpfer hebt das Fahrzeugheck nach kurzer Fahrstrecke (einigen Feder-Vorgängen) auf das normale Niveau.



Überholung Ihres Altteils nach Prüfung, Befund+Angebot. Artikelnummer **832807**



Vor der Fahrt



nach ca. 300 m



Mit Wegfall der letzten Pendelachs-fahrzeuge (Ende 1972) wurde der "Hydromat" obsolet; Fahrzeuge mit Schräglenkern erhielten bei Bedarf Niveauregulierende Dämpfer und einen Motorantrieb für eine externe Hydraulikpumpe.



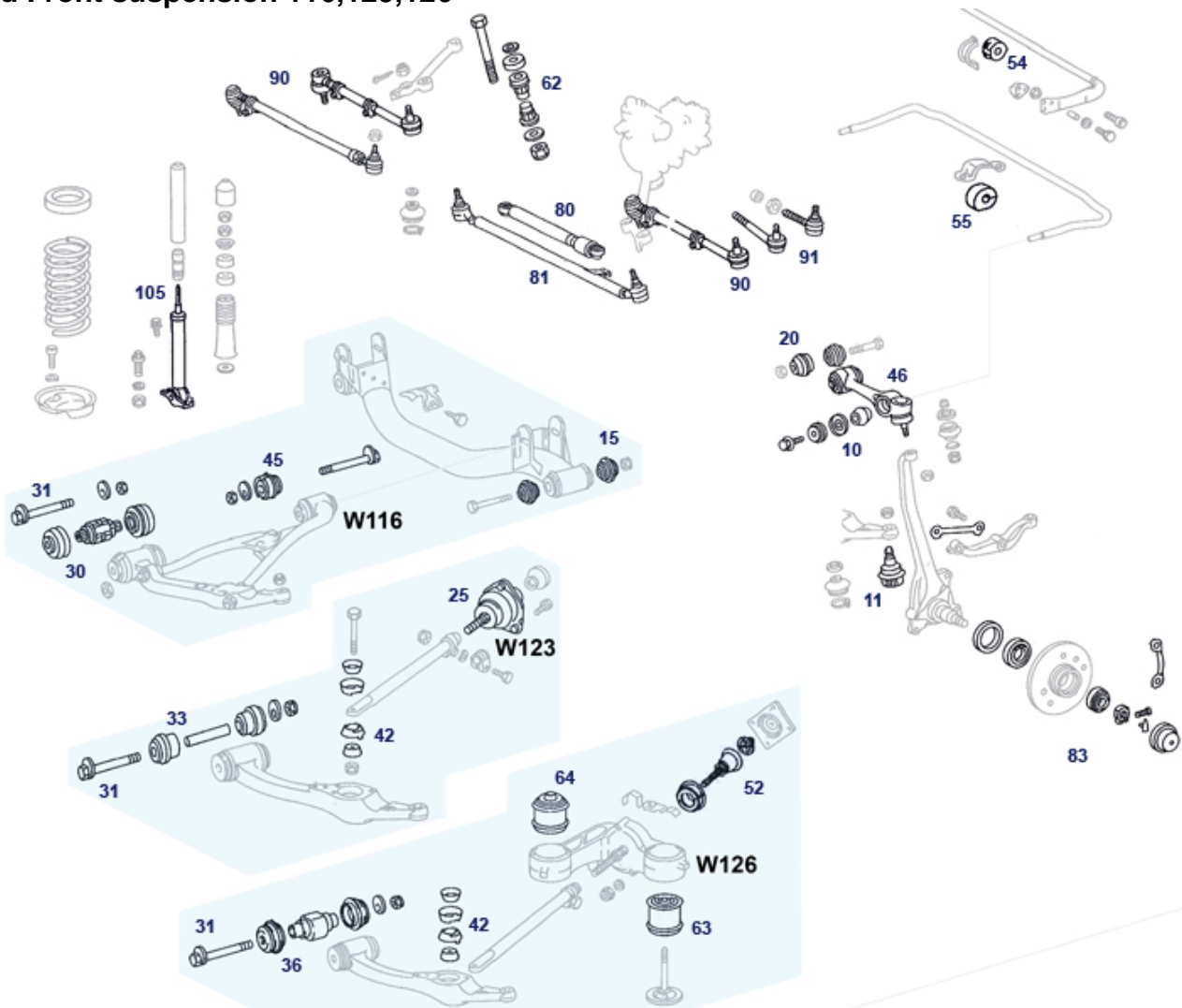
Neuteil **832007**  
Liefersituation bitte erfragen

Heute können Sie den hydraulischen Ausgleichsdämpfer als Neuteil bestellen oder Ihr Gebrauchtteil zwecks "Befund und Überholung nach Angebot" zu uns einsenden. Wir bitten um Verständnis, im Vorwege nur einen PreisBEREICH angeben zu können. Die Arbeiten erfolgen in einem ZF-Sachs Fachbetrieb, der über die erforderlichen Boge-Spezialeinrichtungen verfügt. Kosten von Prüfung und Befund werden beim Überholungs-Auftrag verrechnet. Vorsicht: der Ausbau des Teils kann (wie jede Federn-Demontage) gefährlich sein, bitte beachten Sie die Montagehinweise in der Werkstattliteratur. Von einer Dämpferzerlegung durch fachunkundiges Personal wird dringend abgeraten.



## 33 Front suspension

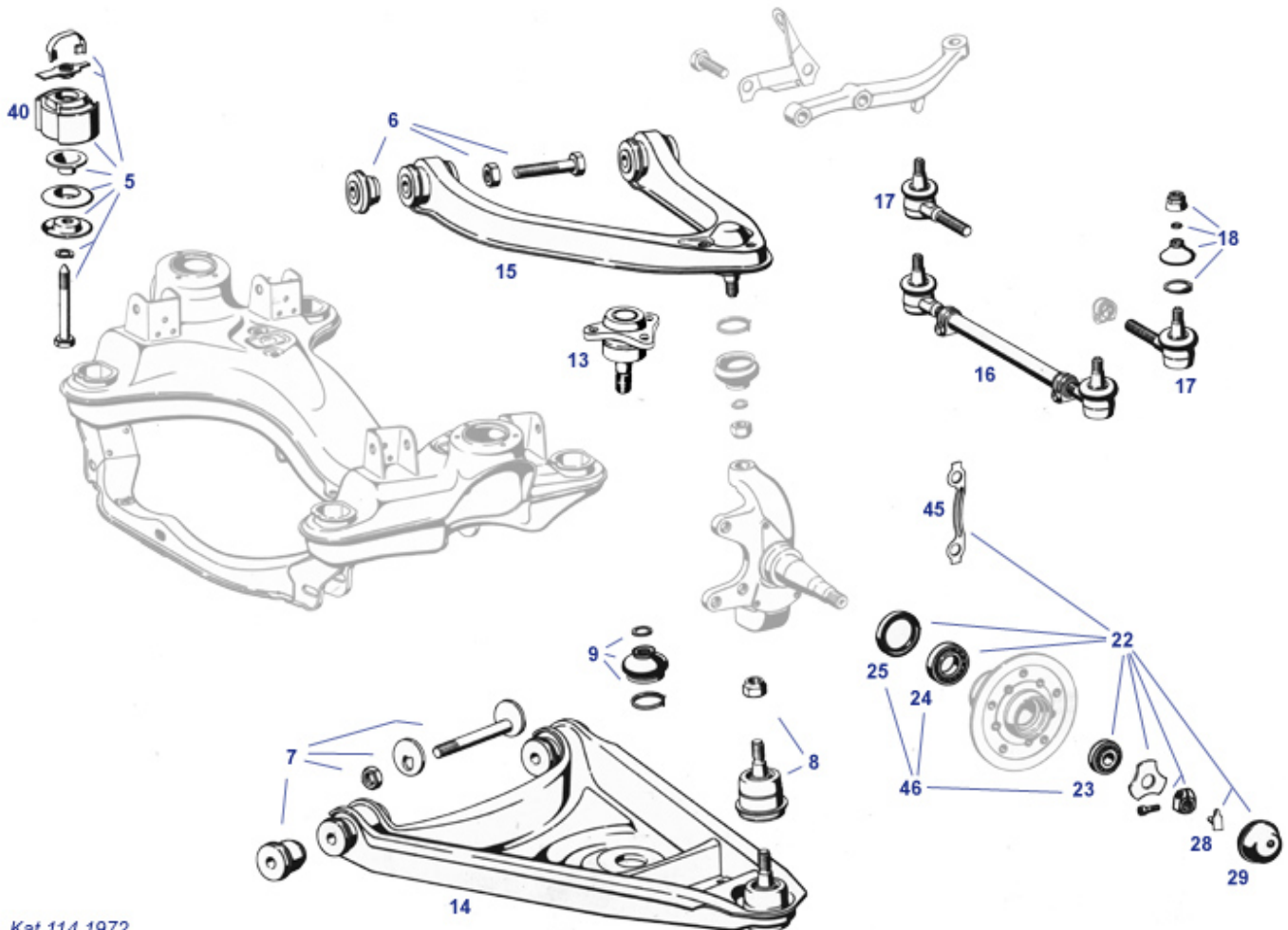
### 33.d Front suspension 116,123,126



|    |  |                        |         |    |  |                        |          |
|----|--|------------------------|---------|----|--|------------------------|----------|
|    | Clamp nut   multiple cars from 1956-1985   A1203340772 | <a href="#">233077</a> | 32,53 € |    | Bilstein-Stoßdämpfer W123                            | <a href="#">932100</a> | 172,55 € |
|    | Washer at clamping nut, no inner pintle                | <a href="#">233972</a> | 27,97 € |    | Rubber bushing, subframe tube W116                   | <a href="#">633065</a> | 13,63 €  |
|    | Tie rod end, LH. threaded, FEBI                        | <a href="#">533091</a> | 9,50 €  |    | Bushing, upper, inner, 126, .. FEBI                  | <a href="#">633022</a> | 14,65 €  |
|    | Tie rod, LHD-left, FEBI                                | <a href="#">633089</a> | 31,45 € |    | Bilstein-Stoßdämpfer W123 "HD"                       | <a href="#">932101</a> | 142,80 € |
|    | Locking nut, bearing stud div.                         | <a href="#">933077</a> | 5,85 €  |    | Rep kit wheel bearing from 06.'61, FEBI              | <a href="#">233880</a> | 39,88 €  |
| 10 | Rep.-kit ctrl-arm to bar, 116, 123, FEBI               | <a href="#">633132</a> | 31,20 € | 10 | Bushing, ctrl-arm to bar, 116, 123, FEBI             | <a href="#">633032</a> | 1,25 €   |
| 11 | Ball joint, lower, 116, 123, 126, FEBI                 | <a href="#">633110</a> | 13,44 € | 20 | Bushing, upper, inner, 116, 123, FEBI                | <a href="#">633021</a> | 6,39 €   |
| 25 | Strut mount 123, , .., FEBI                            | <a href="#">633015</a> | 51,17 € | 30 | Rep kit frt ctrl arm inner lower 116,123 früh, FEBI  | <a href="#">633030</a> | 26,80 €  |
| 31 | Rep kit excenter pin                                   | <a href="#">633031</a> | 6,94 €  | 33 | Rep kit frt ctrl arm inner lower 123 late, 126, FEBI | <a href="#">633033</a> | 31,58 €  |
| 42 | Rep kit frt ctrl arm @ strut 123, 126, FEBI            | <a href="#">633042</a> | 20,05 € | 45 | Rep.-Kit, lower ctrl-arm inner, per side, W116       | <a href="#">633045</a> | 60,99 €  |
| 46 | Upper ctrl-arm RH, with joint, 126, FEBI               | <a href="#">633049</a> | 60,29 € | 46 | Upper ctrl-arm LH, with joint, 126, FEBI             | <a href="#">633048</a> | 60,29 €  |
| 46 | Upper ctrl-arm LH, with joint, 116,123, FEBI           | <a href="#">633046</a> | 42,20 € | 46 | Upper ctrl-arm LH, with joint, 116,123, FEBI         | <a href="#">633047</a> | 42,20 €  |
| 52 | Rep.-Kit strut mount per side, W126 up to FN           | <a href="#">633052</a> | 76,60 € | 52 | Rep.-Kit strut mount per side, W126 from FN          | <a href="#">633053</a> | 54,12 €  |
| 55 | Torsion bar mount e.g. W126                            | <a href="#">632052</a> | 7,20 €  | 62 | Steering arm repair kit from '68                     | <a href="#">246062</a> | 19,50 €  |

|    |  |                        |         |     |  |                        |          |
|----|--|------------------------|---------|-----|--|------------------------|----------|
| 63 | Rubber mount, axle support W126, FEBI                | <a href="#">633063</a> | 23,87 € | 64  | Rubber mount, axle support W126, FEBI              | <a href="#">633064</a> | 21,46 €  |
| 80 | Steering damper                                      | <a href="#">246080</a> | 45,09 € | 80  | Steering damper                                    | <a href="#">246880</a> | 24,49 €  |
| 81 | Lenkstange W116, 123 LHD                             | <a href="#">646080</a> | 42,90 € | 81  | Lenkstange W126, LHD                               | <a href="#">646081</a> | 26,08 €  |
| 83 | Set frt wheel bearg. one side, W116,123,126 ABS      | <a href="#">633083</a> | 17,40 € | 83  | Set frt wheel bearg. one side, W116,123,126 no ABS | <a href="#">633081</a> | 17,40 €  |
| 90 | Tie rod, passenger side, FEBI                        | <a href="#">633090</a> | 31,45 € | 90  | Tie rod, LHD-left, FEBI                            | <a href="#">633085</a> | 26,16 €  |
| 91 | Right Tie Rod end -"Febi"                            | <a href="#">233092</a> | 7,25 €  | 91  | Spurstangenkopf, Rechtsgewinde                     | <a href="#">233992</a> | 10,98 €  |
| 91 | Left Tie Rod end -"Febi"                             | <a href="#">233091</a> | 7,25 €  | 91  | Tie rod end, Rt. thread, brand Meyle               | <a href="#">233192</a> | 8,60 €   |
| 91 | hex nut M10 X 1, prevailing torque type, tie rod end | <a href="#">233094</a> | 1,51 €  | 91  | Tie rod end, RH. threaded, FEBI                    | <a href="#">633094</a> | 9,25 €   |
| 91 | Tie rod end, Lt. thread, brand MEYLE                 | <a href="#">233191</a> | 8,60 €  | 91  | Tie rod end, RH. threaded, FEBI                    | <a href="#">533092</a> | 9,50 €   |
| 91 | Tie rod end  | <a href="#">233991</a> | 16,92 € | 105 | Gasdruck-Stoßdämpfer 126 vorn                      | <a href="#">932105</a> | 148,75 € |

### 33.c Front suspension W114, ...

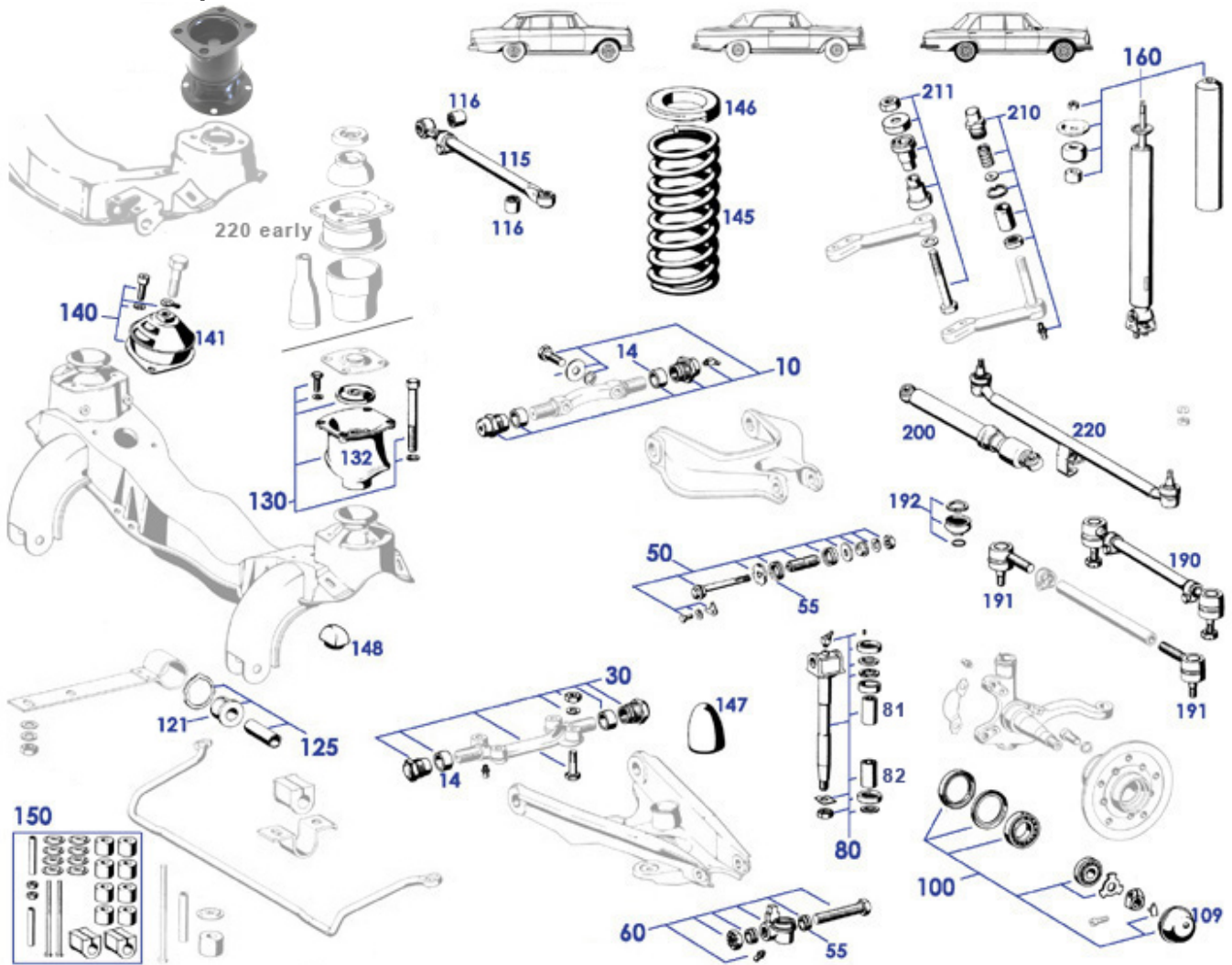


Kat 114 1972

|   |   |                         |         |   |   |                        |          |
|---|---|-------------------------|---------|---|---|------------------------|----------|
|   | Castle nut M10X1, long shape, early joint           | <a href="#">133006</a>  | 2,38 €  |   | Rep kit wheel bearing from 06.'61, FEBI   | <a href="#">233880</a> | 39,88 €  |
|   | small rubber donut at roll bar bracket rods         | <a href="#">732817</a>  | 2,74 €  |   | Castle nut M10X1, thin shape, early joint | <a href="#">133706</a> | 2,45 €   |
|   | Washer at clamping nut, no inner pintle             | <a href="#">233972</a>  | 27,97 € |   | Self locking nut M12 X 1,5                | <a href="#">733113</a> | 1,93 €   |
|   | Split pin 2,5 x 25, fits crown nuts seering linkage | <a href="#">133007</a>  | 0,24 €  |   | Bilstein shock absorber 114/5,frt.        | <a href="#">532102</a> | 184,45 € |
|   | Cap, front wheel bearings 110-115, ..B-quality      | <a href="#">B233079</a> | 5,30 €  | 5 | Frnt axle mount kit "Meyle"               | <a href="#">758801</a> | 48,61 €  |
| 5 | Repr.kit, front sub-frame                           | <a href="#">758101</a>  | 58,91 € | 6 | Repr. kit, swing arm, upper in. FEBI      | <a href="#">733020</a> | 61,75 €  |

|    |  |                        |          |    |  |                        |          |
|----|--|------------------------|----------|----|--|------------------------|----------|
| 7  | Repr. kit, swing arm, lower in.                        | <a href="#">733030</a> | 64,88 €  | 7  | Rep.-Kit lower inner, FEBI             | <a href="#">733830</a> | 48,00 €  |
| 8  | Knuckle jt.(lower) 114...,107 up to 85                 | <a href="#">733110</a> | 13,73 €  | 13 | Upper Ball Joint R/C107 up. to 08.1985 | <a href="#">733112</a> | 15,71 €  |
| 15 | Swinging arm,upper, left.up to 08.1985, FEB            | <a href="#">733100</a> | 107,16 € | 15 | Swinging arm,upper, Rt.to 8.85 FEB     | <a href="#">733800</a> | 123,28 € |
| 15 | Swinging arm,upper, Rt.to 8.85 FEB                     | <a href="#">733801</a> | 123,28 € | 15 | Swinging arm,upper, Rt.to 8.85 FEBI    | <a href="#">733101</a> | 107,16 € |
| 17 | Left Tie Rod end -"Febi"                               | <a href="#">233091</a> | 7,25 €   | 17 | Tie rod end, Rt. thread, brand Meyle   | <a href="#">233192</a> | 8,60 €   |
| 17 | Spurstangenkopf, Rechtsgewinde                         | <a href="#">233992</a> | 10,98 €  | 17 | Tie rod end                            | <a href="#">233991</a> | 16,92 €  |
| 17 | Right Tie Rod end -"Febi"                              | <a href="#">233092</a> | 7,25 €   | 17 | Tie rod end, Lt. thread, brand MEYLE   | <a href="#">233191</a> | 8,60 €   |
| 23 | Wheel bearing, outer                                   | <a href="#">142630</a> | 4,58 €   | 24 | Wheel bearing, inner, 06.61 -> 89      | <a href="#">142580</a> | 7,14 €   |
| 25 | Seal ring eg.frt wheel bearg.114...107                 | <a href="#">733082</a> | 10,71 €  | 28 | Contact                                | <a href="#">233078</a> | 1,56 €   |
| 29 | Cap, wheel bearing hub '85->                           | <a href="#">733079</a> | 1,06 €   | 29 | Cap, front wheel bearings 110-115,     | <a href="#">233079</a> | 7,96 €   |
| 33 | Clamp nut   multiple cars from 1956-1985   A1203340772 | <a href="#">233077</a> | 32,53 €  | 40 | .. Rubber, front sub-frame             | <a href="#">733060</a> | 18,97 €  |

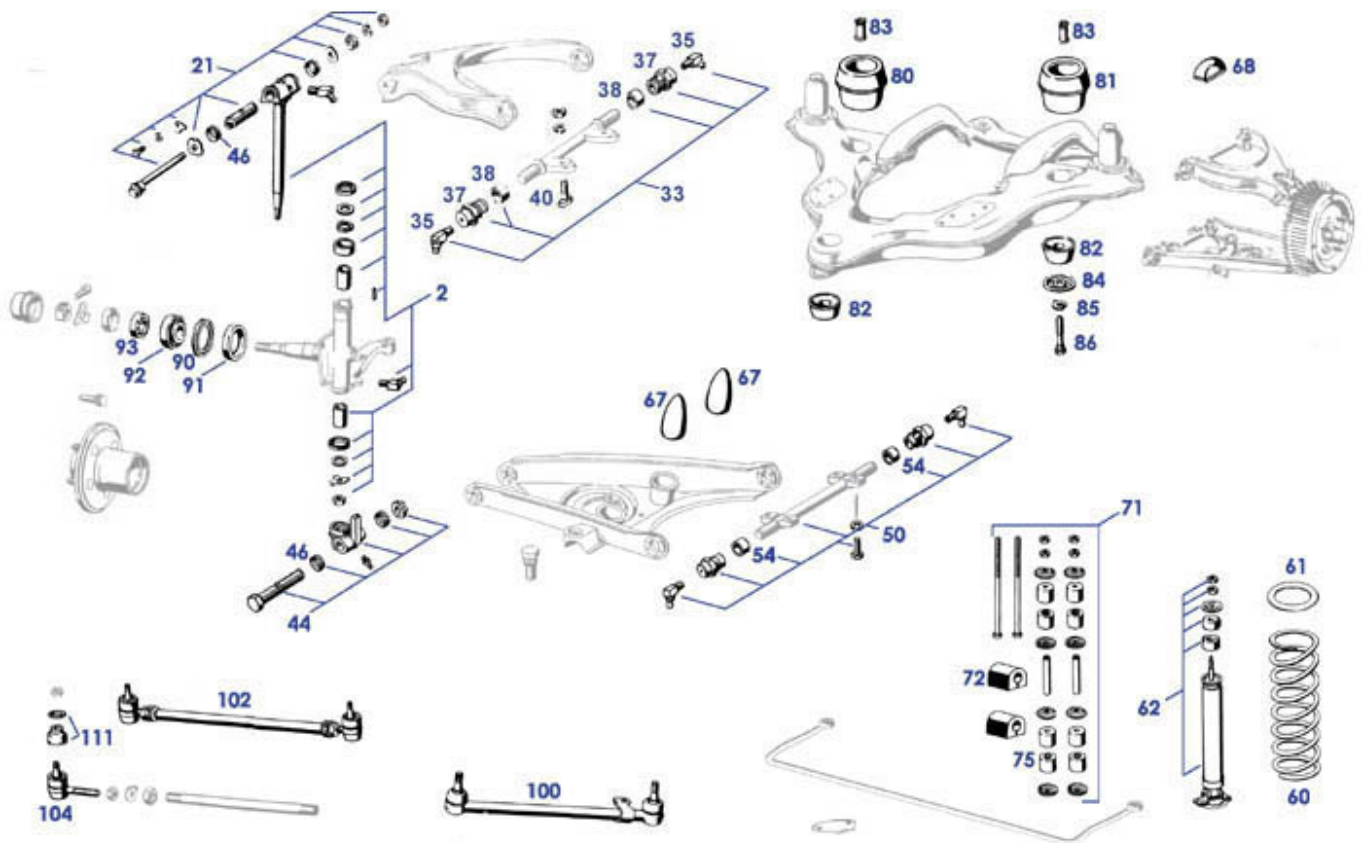
### 33.b Front suspension 1959-1972



|     |   |                        |        |  |   |                        |         |
|-----|---|------------------------|--------|--|---|------------------------|---------|
|     | Castle nut M10X1, long shape, early joint | <a href="#">133006</a> | 2,38 € |  | Split pin 2,5 x 25, fits crown nuts seering linkage | <a href="#">133007</a> | 0,24 €  |
|     | Castle nut M10X1, thin shape, early joint | <a href="#">133706</a> | 2,45 € |  | Washer at clamping nut, no inner pintle             | <a href="#">233972</a> | 27,97 € |
| pin | pin 2,5 m6 X 6                            | <a href="#">233750</a> | 0,31 € |  | Split pin 3x36                                      | <a href="#">133059</a> | 0,18 €  |
|     | washer 13mm zinc plated                   | <a href="#">333043</a> | 0,20 € |  | Cotter pin 2,0 x 25, e.g. tie rod nuts              | <a href="#">299460</a> | 0,12 €  |

|     |  |                        |          |     |  |                         |          |
|-----|--|------------------------|----------|-----|--|-------------------------|----------|
|     | Guide tube with bushings OEM Quality   A1113300330 | <a href="#">233933</a> | 255,01 € |     | Cap, front wheel bearings 110-115, ..B-quality         | <a href="#">B233079</a> | 5,30 €   |
|     | Engine ventilation                                 | <a href="#">209805</a> | 5,02 €   | 14  | Sealing rings, Upper or lower                          | <a href="#">133041</a>  | 2,05 €   |
| 50  | Control arm rep. kit, upper outer, FEBI            | <a href="#">133010</a> | 47,67 €  | 50  | Repair kit, control arm outer, lower+upper 1 side FEBI | <a href="#">133025</a>  | 80,50 €  |
| 55  | Seal Ring, upper & lower                           | <a href="#">133015</a> | 8,45 €   | 60  | Control arm rep. kit, lower outer, FEBI                | <a href="#">133030</a>  | 61,17 €  |
| 80  | King pin repair kit                                | <a href="#">233050</a> | 79,79 €  | 82  | Bush, king pin, lower=L45mm                            | <a href="#">233053</a>  | 14,28 €  |
| 100 | Rep kit wheel bearing from 06.'61, FEBI            | <a href="#">233880</a> | 39,88 €  | 106 | Clamp nut   multiple cars from 1956-1985   A1203340772 | <a href="#">233077</a>  | 32,53 €  |
| 109 | Cap, front wheel bearings 110-115, ..              | <a href="#">233079</a> | 7,96 €   | 121 | Rubber bushing, orig quality                           | <a href="#">233096</a>  | 24,86 €  |
| 130 | Repr.kit, 108-109, 111Cpe from VIN, FEBI           | <a href="#">858801</a> | 143,79 € | 132 | Buffer, rubber,subframe mount                          | <a href="#">233060</a>  | 96,52 €  |
| 141 | Enginemountfrt.6-cyltypes                          | <a href="#">222010</a> | 34,14 €  | 145 | Spring, for W111 limo & W110                           | <a href="#">332012</a>  | 232,86 € |
| 146 | Mount,coil spring, 25mm                            | <a href="#">232012</a> | 57,37 €  | 146 | Mount,coil spring, 20mm                                | <a href="#">232011</a>  | 57,37 €  |
| 146 | Mount,coil spring, 30mm                            | <a href="#">232013</a> | 57,37 €  | 147 | Rubber buffer, lower ctrl arm                          | <a href="#">233066</a>  | 5,95 €   |
| 148 | Rubber buffer, upper ctrl arm                      | <a href="#">233065</a> | 9,76 €   | 150 | Torsion bar rep-kit fits bar23,5 (rbr22)               | <a href="#">833070</a>  | 133,99 € |
| 150 | Torsion bar rep-kit fits bar 24,5 (rbr 23)         | <a href="#">833072</a> | 161,38 € | 150 | Bushing kit, fits 20mm torsion bar (incl 18mm rbr)     | <a href="#">233070</a>  | 86,06 €  |
| 151 | Rubber 20 fits torsion bar 21.5                    | <a href="#">832050</a> | 31,25 €  | 151 | Rubber 22.5 fits torsion bar 23.5                      | <a href="#">932050</a>  | 23,57 €  |
| 191 | Tie rod end, Rt. thread, brand Meyle               | <a href="#">233192</a> | 8,60 €   | 191 | Tie rod end, Lt. thread, brand MEYLE                   | <a href="#">233191</a>  | 8,60 €   |
| 191 | Right Tie Rod end -"Febi"                          | <a href="#">233092</a> | 7,25 €   | 191 | Left Tie Rod end -"Febi"                               | <a href="#">233091</a>  | 7,25 €   |

### 33.a Front suspension 1955-1961



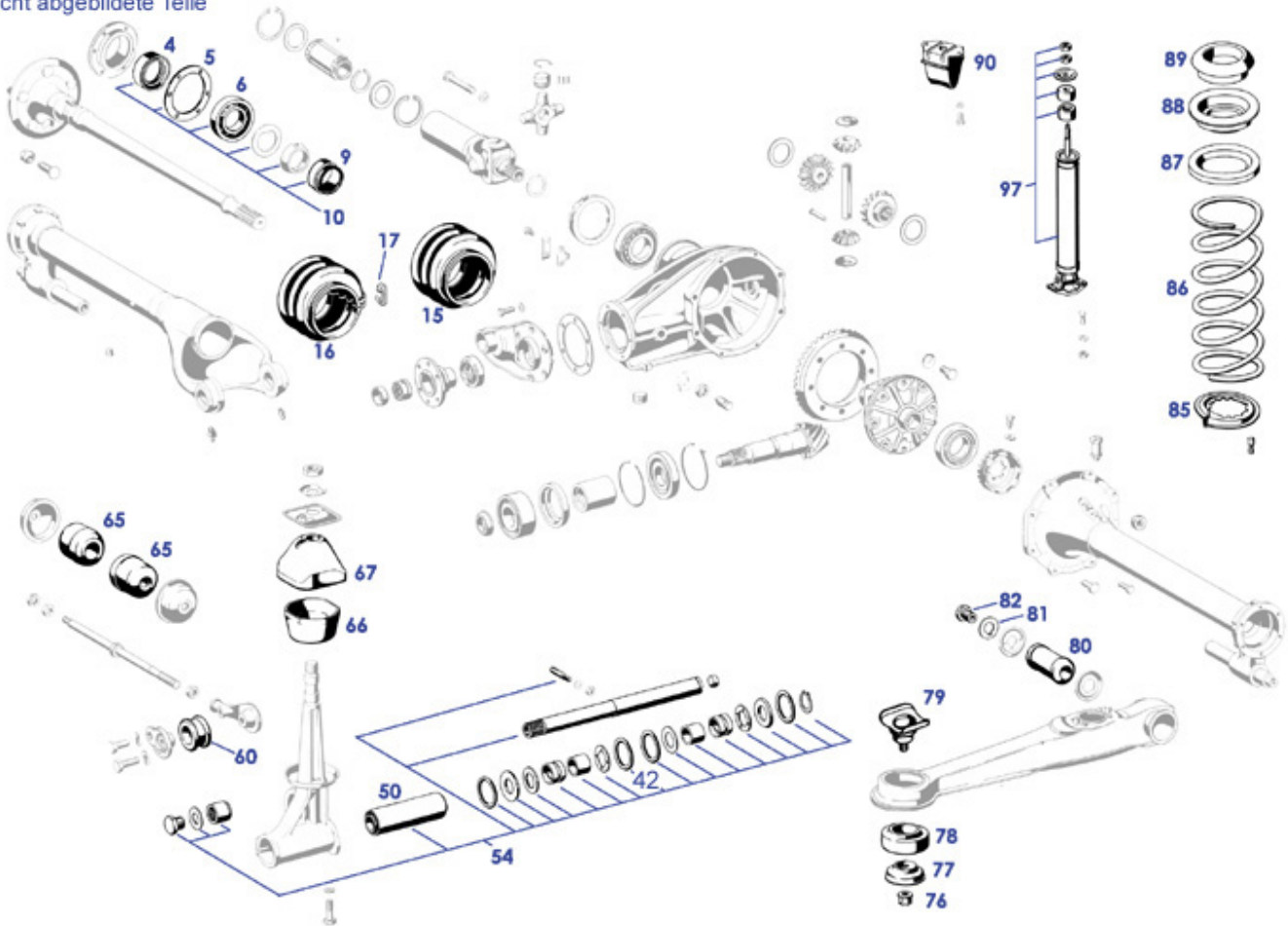
|  |   |                        |          |  |  |                        |         |
|--|---|------------------------|----------|--|--|------------------------|---------|
|  | Repr.set,k'pin/bushes,p'too Ponton      | <a href="#">433850</a> | 119,00 € |  | Bush, king pin, lower=L45mm            | <a href="#">233053</a> | 14,28 € |
|  | Rep kit wheel bearing from 06.'61, FEBI | <a href="#">233880</a> | 39,88 €  |  | Cotter pin 2,0 x 25, e.g. tie rod nuts | <a href="#">299460</a> | 0,12 €  |

|     |  |                        |          |     |  |                        |          |
|-----|--|------------------------|----------|-----|--|------------------------|----------|
|     | Cap for grease nipple, red                             | <a href="#">333048</a> | 0,65 €   |     | Gummipuffer, V-achsträger hi.                          | <a href="#">433055</a> | 33,46 €  |
|     | Split pin 3x36   | <a href="#">133059</a> | 0,18 €   | pin | pin 2,5 m6 X 6   | <a href="#">233750</a> | 0,31 €   |
|     | Washer at clamping nut, no inner pintle                | <a href="#">233972</a> | 27,97 €  |     | Clamp nut   multiple cars from 1956-1985   A1203340772 | <a href="#">233077</a> | 32,53 €  |
|     | Castle nut M10X1, long shape, early joint              | <a href="#">133006</a> | 2,38 €   |     | Split pin 2,5 x 25, fits crown nuts seering linkage    | <a href="#">133007</a> | 0,24 €   |
|     | Washer at clamping nut, with inner pintle              | <a href="#">133972</a> | 26,78 €  |     | Castle nut M10X1, thin shape, early joint              | <a href="#">133706</a> | 2,45 €   |
| 2   | Repr.set,k'pin/bushes,p'too Ponton                     | <a href="#">433050</a> | 374,85 € | 21  | Control arm rep. kit, upper outer, FEBI                | <a href="#">133010</a> | 47,67 €  |
| 35  | Grease nipple, M8, 90°                                 | <a href="#">133047</a> | 0,57 €   | 37  | Threaded bush, 29.9mm (no groove)                      | <a href="#">133038</a> | 25,25 €  |
| 37  | Threaded bush, 30.9mm, with groove                     | <a href="#">133039</a> | 25,29 €  | 44  | Control arm rep. kit, lower outer, FEBI                | <a href="#">133030</a> | 61,17 €  |
| 44  | Repair kit, control arm outer, lower+upper 1 side FEBI | <a href="#">133025</a> | 80,50 €  | 46  | Seal Ring, upper & lower                               | <a href="#">133015</a> | 8,45 €   |
| 54  | Sealing rings, Upper or lower                          | <a href="#">133041</a> | 2,05 €   | 60  | Spring, front, 220S/SE,p'toon                          | <a href="#">432000</a> | 182,15 € |
| 61  | Shim   | <a href="#">132011</a> | 5,15 €   | 62  | Shock absorber front, Bilstein Gas                     | <a href="#">132111</a> | 324,99 € |
| 67  | Rubber bumper, lower                                   | <a href="#">133080</a> | 21,04 €  | 68  | Rubber buffer, upper ctrl-arm L or R                   | <a href="#">133070</a> | 19,12 €  |
| 71  | Torsion Bar Mtg. Kit. for 1 car                        | <a href="#">158000</a> | 97,76 €  | 72  | Buffer,rbr.,torsion bar,p'toon                         | <a href="#">432015</a> | 6,19 €   |
| 72  | Rubber mount torsion bar 20mm                          | <a href="#">132015</a> | 18,50 €  | 72  | Buffer,rbr., torsion bar, 22mm                         | <a href="#">432016</a> | 16,51 €  |
| 75  | Rubber buffer, torsion bar rod                         | <a href="#">132017</a> | 8,29 €   | 81  | Buffer, rubber,up. fr., fr. s'frame                    | <a href="#">433060</a> | 29,58 €  |
| 82  | Buffer, rbr.,lower, fr. s'frame                        | <a href="#">433065</a> | 7,44 €   | 83  | Sleeve   | <a href="#">133054</a> | 8,35 €   |
| 84  | Reinforcing shim, replaced style                       | <a href="#">133051</a> | 2,56 €   | 85  | Locking shim, fits old style washer                    | <a href="#">133052</a> | 4,96 €   |
| 86  | Special bolt, frt axle->frame M12 X 1,5 X 57           | <a href="#">133053</a> | 36,33 €  | 90  | Puller plate >021979                                   | <a href="#">142610</a> | 19,90 €  |
| 90  | Bearing retainer ring 06.61->, orig.                   | <a href="#">142600</a> | 79,67 €  | 91  | Seal ring @ frt wheel bearings                         | <a href="#">142625</a> | 8,88 €   |
| 91  | Front axle seal >021979                                | <a href="#">142620</a> | 15,45 €  | 92  | Wheel bearing, inner, 06.61 -> 89                      | <a href="#">142580</a> | 7,14 €   |
| 92  | Inner front wheel bearing ->021979                     | <a href="#">142585</a> | 11,16 €  | 93  | Front axle outer bearing >021979                       | <a href="#">142640</a> | 14,65 €  |
| 93  | Wheel bearing, outer                                   | <a href="#">142630</a> | 4,58 €   | 100 | Drag link, 180,D,Db,Dc                                 | <a href="#">446060</a> | 152,99 € |
| 100 | Drag link, 6-cyl. pontoon                              | <a href="#">446062</a> | 110,32 € | 100 | Drag link 190SL ->5501501, LHD                         | <a href="#">146041</a> | 186,43 € |
| 100 | Drag link 190,b,SL 5501502->, LHD                      | <a href="#">146040</a> | 74,28 €  | 104 | Right Tie Rod end -"Febi"                              | <a href="#">233092</a> | 7,25 €   |

## 35.a Rear Suspension 1955-1962

35.a Rear Suspension 1955-1962

nicht abgebildete Teile



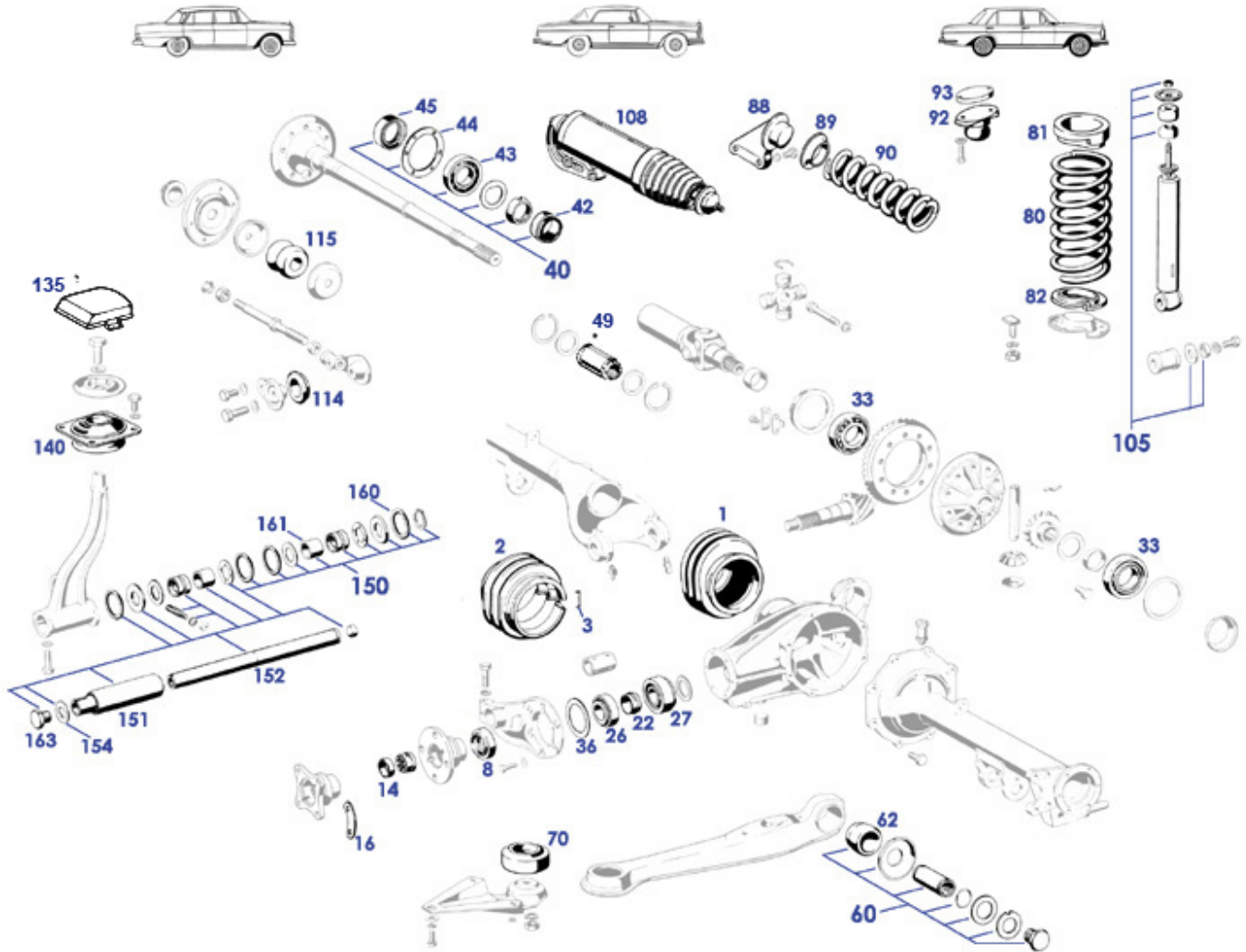
|         |   |                        |          |      |   |                        |          |
|---------|---|------------------------|----------|------|---|------------------------|----------|
|         | pair of shackle, cross strut to axle, early, M12, iron, Repro | <a href="#">135725</a> | 197,54 € | plug | Plug screw M24 conical, no collar                   | <a href="#">114025</a> | 8,98 €   |
|         | Locking, simplified, Repro, nose outer position               | <a href="#">135608</a> | 6,68 €   |      | Locking, simplified, Repro, nose outer position     | <a href="#">135607</a> | 6,68 €   |
|         | Locking, simplified, Repro, nose ctre position                | <a href="#">135606</a> | 6,68 €   |      | valve cap, black                                    | <a href="#">740035</a> | 0,07 €   |
|         | Wheel bearing, outer, FAG                                     | <a href="#">142730</a> | 25,26 €  |      | Wheel bearing, inner, 06.61 -> 89, FAG              | <a href="#">142680</a> | 15,92 €  |
| bushing | Sleeve, length 26.0mm (std)                                   | <a href="#">235807</a> | 47,30 €  |      | Shim, 2.4mm thick, repair size                      | <a href="#">235718</a> | 17,50 €  |
|         | Shim, 2.2mm thick, repair size                                | <a href="#">235716</a> | 23,42 €  |      | Clamp for repair bellows                            | <a href="#">135832</a> | 1,19 €   |
| 5       | Gasket, axle tube to brake base 190...                        | <a href="#">143002</a> | 9,81 €   | 9    | Rear axle seal (inner)                              | <a href="#">143001</a> | 5,82 €   |
| 10      | Rear axle ball-bearing  | <a href="#">235005</a> | 22,88 €  | 10   | Rear axle roller bearing, RT, (drum shape rollers)  | <a href="#">135858</a> | 67,38 €  |
| 13      | Lock ring, rear axle  | <a href="#">135821</a> | 5,00 €   | 13   | Diff Pinion Grooved Nut   A1113500166               | <a href="#">235714</a> | 36,00 €  |
| 15      | Swing axle sleeve, closed                                     | <a href="#">135130</a> | 29,99 €  | 16   | Sw. Axle sleeve, open, rep., design differs to orig | <a href="#">135131</a> | 41,45 €  |
| 17      | Clamp, air hose   | <a href="#">209004</a> | 2,77 €   | 17   | Lock / winding clip for 9mm strap                   | <a href="#">109835</a> | 2,84 €   |
| 17      | 1m metal strip, 9mm clamp                                     | <a href="#">109830</a> | 3,09 €   | 42   | Rubber ring, swing link                             | <a href="#">235304</a> | 3,50 €   |
| 50      | Sleeve, axle to center support                                | <a href="#">135012</a> | 91,52 €  | 52   | Lock washer   | <a href="#">235301</a> | 2,59 €   |
| 53      | Shim at ctr bolt rr axle joint                                | <a href="#">235705</a> | 10,00 €  | 60   | Rubber buffer,inner, rr axle cross stru             | <a href="#">135062</a> | 22,31 €  |
| 65      | Rubber buffer at rr axle cross strut                          | <a href="#">135033</a> | 30,59 €  | 66   | Rubber mount, rear axle ctr mount, lower            | <a href="#">135002</a> | 32,24 €  |
| 67      | Rubber mount, top >7503266                                    | <a href="#">135003</a> | 80,13 €  | 67   | Rubber mount, rr axle ctre, from 750336             | <a href="#">135001</a> | 103,90 € |
| 76      | Crown nut M12 (e.g. early rr struts)                          | <a href="#">135121</a> | 29,50 €  | 76   | Crown nut, M14 thread                               | <a href="#">135120</a> | 25,47 €  |
| 77      | Retainer, late strut mount (M14)                              | <a href="#">135810</a> | 15,59 €  | 78   | Rubber mount, trailing arm donut                    | <a href="#">135100</a> | 35,07 €  |
| 79      | Support for rear axle strut                                   | <a href="#">161210</a> | 31,89 €  | 80   | Rubber bushing, trailing arm to axle                | <a href="#">135009</a> | 16,29 €  |



|     |   |                        |          |     |                                       |                        |          |
|-----|---|------------------------|----------|-----|---------------------------------------|------------------------|----------|
| 81  | Lock shim, strut to rr axle                         | <a href="#">135007</a> | 5,18 €   | 82  | Bolt, Arm to rear axle                | <a href="#">135014</a> | 34,83 €  |
| 85  | Spring retainer, bottom                             | <a href="#">132012</a> | 91,99 €  | 86  | "Spring, rear, "pontoon", rt."        | <a href="#">432020</a> | 228,79 € |
| 86  | Rear spring, pontoonLH                              | <a href="#">432010</a> | 181,23 € | 87  | Spacer ring above rr springs          | <a href="#">132014</a> | 19,77 €  |
| 88  | Spring retainer, top                                | <a href="#">132013</a> | 150,00 € | 89  | Rubber mounting f.spring retainer top | <a href="#">132830</a> | 39,00 €  |
| 89  | Rubber mounting f.spring retainer top               | <a href="#">132030</a> | 29,95 €  | 90  | Rubber bumper, replcmnt, (higher)     | <a href="#">132016</a> | 99,95 €  |
| 97  | Shock absorber rear, Bilstein Gas                   | <a href="#">132022</a> | 314,99 € | 170 | Seal ring, input shaft                | <a href="#">135818</a> | 21,00 €  |
| 999 | product replaced: Lock / winding clip for 9mm strap | <a href="#">109035</a> | 2,09 €   | 999 | 1m metal strip, 9mm clamp             | <a href="#">109030</a> | 4,00 €   |

## 35.b Rear Suspension 1959-1972

35.b Rear Suspension 1959-1972

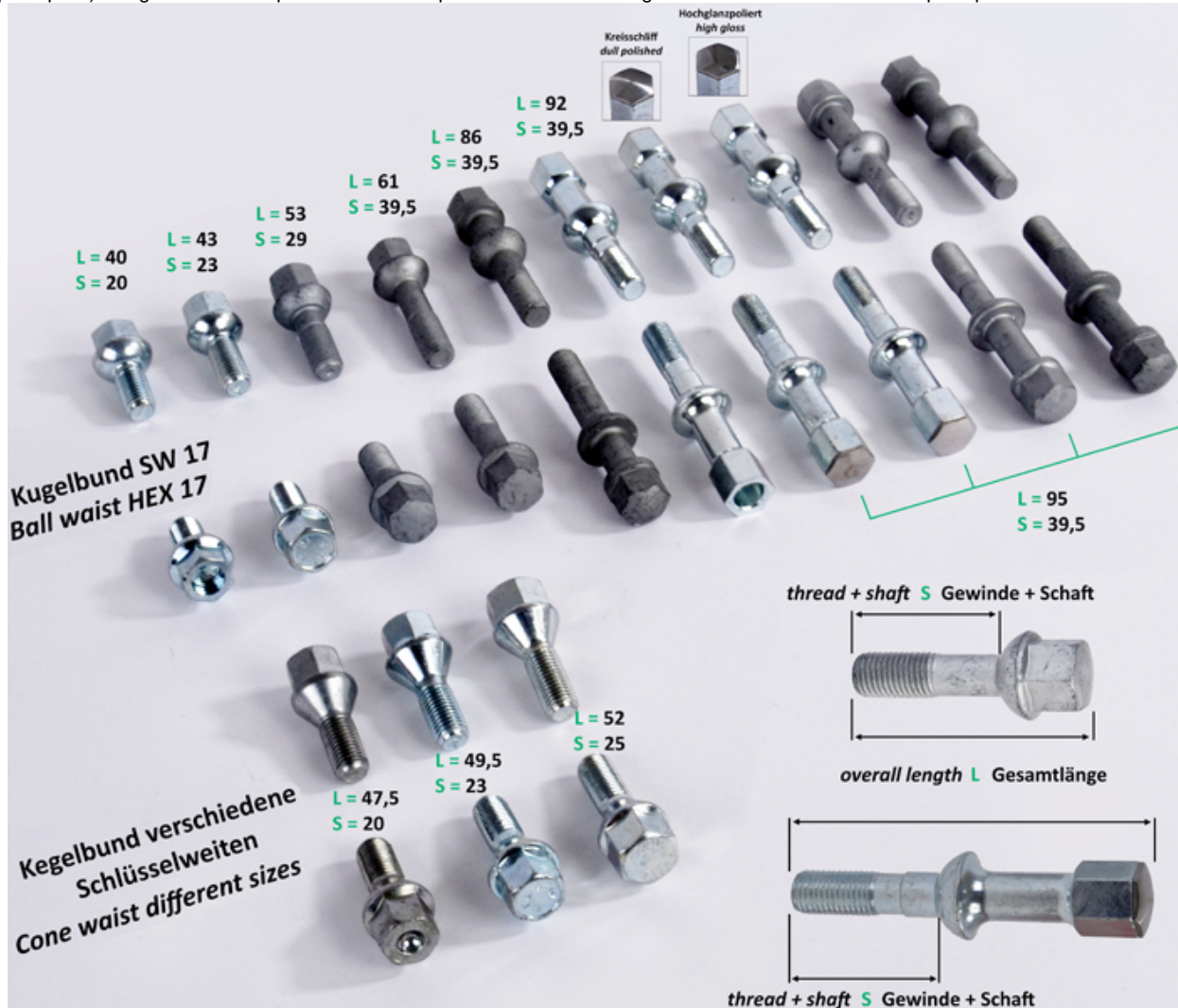


|    |  |                        |          |    |  |                        |         |
|----|--|------------------------|----------|----|--|------------------------|---------|
|    | Rear axle tube bushing                               | <a href="#">235050</a> | 29,63 €  |    | Sw. Axle sleeve, open, repair, premium quality       | <a href="#">135931</a> | 80,92 € |
|    | Torsion bar rep-kit fits bar 21,5 (rbr20)            | <a href="#">333070</a> | 127,50 € |    | Shim, 2.2mm thick, repair size                       | <a href="#">235716</a> | 23,42 € |
|    | Shim, 2.4mm thick, repair size                       | <a href="#">235718</a> | 17,50 €  |    | Rubber mount ring, struts to body                    | <a href="#">235721</a> | 11,65 € |
|    | Wheel bearing, outer, FAG                            | <a href="#">142730</a> | 25,26 €  |    | valve cap, black                                     | <a href="#">740035</a> | 0,07 €  |
|    | Swing axle sleeve, closed, premium quality           | <a href="#">135930</a> | 49,43 €  |    | Wheel bearing, inner, 06.61 -> 89, FAG               | <a href="#">142680</a> | 15,92 € |
|    | Locking, simplified, Repro, nose centre position     | <a href="#">135606</a> | 6,68 €   |    | Locking, simplified, Repro, nose outer position      | <a href="#">135607</a> | 6,68 €  |
|    | support balancer spring RH axle, ref.No. A1103202343 | <a href="#">232804</a> | 74,38 €  |    | Locking, simplified, Repro, nose outer position      | <a href="#">135608</a> | 6,68 €  |
| 1  | Swing axle sleeve, closed                            | <a href="#">135130</a> | 29,99 €  | 2  | Sw. Axle sleeve, open, rep., design differs to orig  | <a href="#">135131</a> | 41,45 € |
| 3  | Lock / winding clip for 9mm strap                    | <a href="#">109835</a> | 2,84 €   | 3  | 1m metal strip, 9mm clamp                            | <a href="#">109830</a> | 3,09 €  |
| 3  | Clamp, air hose                                      | <a href="#">209004</a> | 2,77 €   | 3  | Clamp for repair bellows                             | <a href="#">135832</a> | 1,19 €  |
| 3  | product replaced: Lock / winding clip for 9mm strap  | <a href="#">109035</a> | 2,09 €   | 3  | 1m metal strip, 9mm clamp                            | <a href="#">109030</a> | 4,00 €  |
| 8  | Seal ring,input shaft   230-280SL..                  | <a href="#">235015</a> | 12,98 €  | 14 | Diff Pinion Grooved Nut   A1113500166                | <a href="#">235714</a> | 36,00 € |
| 14 | see 235013   | <a href="#">235813</a> | 5,00 €   | 14 | Washer Lock for Differential Flange Nut              | <a href="#">235013</a> | 7,44 €  |
| 16 | Gelenkwellen-Gummilager 180,D                        | <a href="#">441019</a> | 25,31 €  | 16 | Bush,rubber,p.scentre bearing                        | <a href="#">141018</a> | 18,65 € |
| 16 | tabbed lock plate ,driveshaft                        | <a href="#">241014</a> | 8,45 €   | 18 | Ring, rubber,upper, 24mm, rear                       | <a href="#">232022</a> | 33,50 € |
| 21 | spacer sleeve at diff., ref.-No A1103530242          | <a href="#">235817</a> | 14,88 €  | 22 | spacer sleeve, pinion shafts from '67, D32xL16, FEBI | <a href="#">235809</a> | 4,93 €  |
| 27 | Bearing, pinion wheel shaft from                     | <a href="#">235011</a> | 24,35 €  | 33 | Rear axle inner bearing                              | <a href="#">135070</a> | 30,12 € |

|     |   |                        |          |     |   |                        |               |
|-----|---|------------------------|----------|-----|---|------------------------|---------------|
| 33  | '68, front<br>Differential Bearing                    | <a href="#">235039</a> | 44,85 €  | 36  | Distance washer 1.5mm at late<br>pinion bearing     | <a href="#">235150</a> | 11,90 €       |
| 40  | Axle shaft brg./seal kit lft., FEBI                   | <a href="#">233085</a> | 29,93 €  | 42  | Inner seal ring, axle shaft  <br>W108,111,113,110   | <a href="#">242114</a> | 5,53 €        |
| 43  | Rear axle roller bearing, RT, (drum<br>shape rollers) | <a href="#">135858</a> | 67,38 €  | 43  | Rear axle ball-bearing                              | <a href="#">235005</a> | 22,88 €       |
| 44  | Paper gasket, axle types from<br>W110                 | <a href="#">242113</a> | 6,66 €   | 44  | Screw, backplate to axle,<br>250-280SL              | <a href="#">242117</a> | 39,98 €       |
| 45  | Seal ring, outer,front axle   Gen.<br>110 (113,108)   | <a href="#">242115</a> | 5,66 €   | 49  | Bearing Sleeve with mounting bits,<br>tested repro  | <a href="#">235770</a> | 999,99 €      |
| 62  | Rubber, rear trailarm to axle, 75°sh                  | <a href="#">235833</a> | 5,41 €   | 62  | see 235030  | <a href="#">235830</a> | 4,70 €        |
| 62  | Rubber, rear trailarm to axle,<br>65...70°sh          | <a href="#">235733</a> | 3,61 €   | 70  | Rubber mount Suspension strut<br>mounting ring      | <a href="#">235021</a> | 13,11 €       |
| 70  | Rubber mount ring, struts to body                     | <a href="#">235821</a> | 10,35 €  | 70  | Mounting aid front thrust bearing                   | <a href="#">258351</a> | 69,02 €       |
| 80  | A1103243004 Rear spring W110 /<br>220SEb/C            | <a href="#">332020</a> | 72,14 €  | 82  | Rubber ring rr spring lower                         | <a href="#">232028</a> | 8,46 €        |
| 82  | rubber underlay rear spring                           | <a href="#">232828</a> | 8,22 €   | 88  | Support, compensating spring,<br>overhaule          | <a href="#">232004</a> | 74,49 €       |
| 89  | Rubber-ring compensating spring                       | <a href="#">232005</a> | 6,49 €   | 89  | torsion bar rep-kit W109 rear PER<br>WHEEL !        | <a href="#">833075</a> | 81,12 €       |
| 90  | Rear centre compensating spring<br>110/111            | <a href="#">332007</a> | 78,54 €  | 90  | Compensating spring, 11.9mm                         | <a href="#">232006</a> | 83,35 €       |
| 92  | Rubber buffer, rr axle                                | <a href="#">232008</a> | 41,39 €  | 92  | Buffer, rear axle air 109/112                       | <a href="#">832080</a> | 62,48 €       |
| 93  | Distancer, buffer to frame,<br>Aluminum               | <a href="#">232109</a> | 72,00 €  | 93  | Buffer distancer, repro                             | <a href="#">232209</a> | 26,00 €       |
| 105 | Bilstein shocker 108/110-1 rr.                        | <a href="#">832111</a> | 226,99 € | 105 | Bilstein shock absorber 114/5,rr,<br>'HD'           | <a href="#">532111</a> | 189,21 €      |
| 105 | Bilstein-shocker W109 rr.                             | <a href="#">832113</a> | 230,93 € | 108 | EU-Only: Hydromat complete<br>repairing, guaranteed | <a href="#">832807</a> | 1.428,00<br>€ |
| 114 | Rubber mount rear axle support<br>strut   A1113510448 | <a href="#">235023</a> | 36,53 €  | 115 | Outer Rubber Mount for Differential<br>Mount strut  | <a href="#">235024</a> | 8,09 €        |
| 140 | Rear subframe mount rubber, made<br>in Germany        | <a href="#">235920</a> | 274,12 € | 140 | Rubber mount rear axle, center<br>upper joint       | <a href="#">235020</a> | 148,71 €      |
| 140 | Mount rr axle   | <a href="#">335020</a> | 127,39 € | 150 | Small rep kit rr axle center joint                  | <a href="#">235282</a> | 375,61 €      |
| 151 | Sleeve, axle to center support                        | <a href="#">135012</a> | 91,52 €  | 151 | Rubber bushing, rr axle bolt, Repro                 | <a href="#">235712</a> | 93,19 €       |
| 151 | Rubber bushing, axle joint, German<br>Repro           | <a href="#">235012</a> | 139,99 € | 152 | Pin, rear axle center joint from<br>W110 on         | <a href="#">235708</a> | 114,89 €      |
| 154 | Lock washer   | <a href="#">235301</a> | 2,59 €   | 160 | Rubber ring, swing link                             | <a href="#">235304</a> | 3,50 €        |
| 161 | Sleeve, length 26.0mm (std)                           | <a href="#">235807</a> | 47,30 €  | 163 | Hex Bolt on Differential Mounting<br>Strut          | <a href="#">235324</a> | 18,55 €       |
| 169 | Shim at ctr bolt rr axle joint                        | <a href="#">235705</a> | 10,00 €  | 210 | Cross strut rr axle 110-108                         | <a href="#">335722</a> | 34,51 €       |

## 40, Wheel lug bolts M12, assorted by overall length

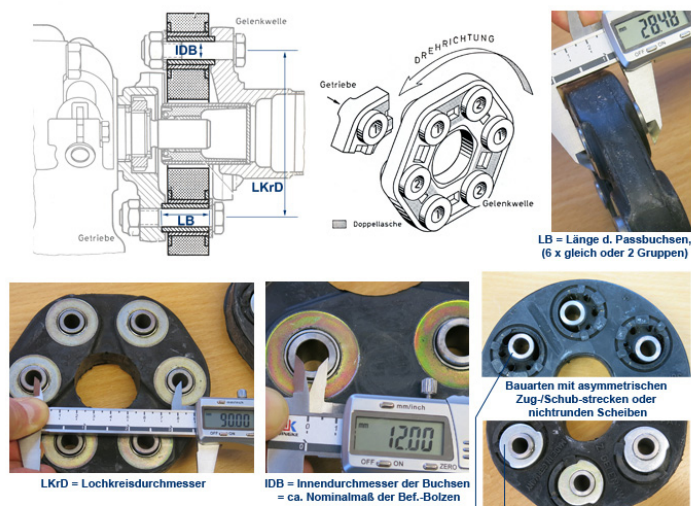
Easy view display for older MB cars: all bolts with ball band and thread M12 x 1.5 and key width 17. This makes it easier to sort LOOKING AT TOTAL LENGTH (length over everything). Various axle/wheel combinations led to the bolts shown here between 1959 and 1989. As a rule of thumb: when screwing in, the bolt should reach its seat about 6 to 7 whole rotations into the thread. with less load-bearing thread, the load-bearing capacity is not achieved, with longer screwing there can be contact with other parts (endangered: rear handbrake, front brake disc e.g. with type 230SL). In the mid-1980s, a system change over MB front axles took place: former wheel hub flange (threaded seat) attached to the rim (brake disc screwed separately on the inside), later brake disc on wheel hub, between rim and threaded seat. (For the hub diameter, see also the information board on brake discs). The design of rim plates is not only material dependent, but different manufacturers (example baroque replica) designed their own plates with consequences for the bolt length and deviations from the MB principle ball band /SW17



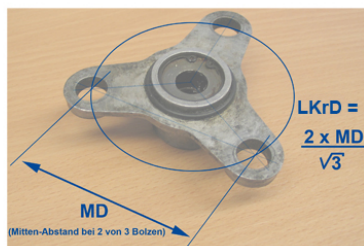
|        |   |                        |         |         |  |                        |         |
|--------|---|------------------------|---------|---------|--|------------------------|---------|
| L40S20 | Wheel bolt, steel wheels MB from 1967       | <a href="#">240005</a> | 1,59 €  | L53S29  | Wheel bolt+cap,alloy whl.to 85                         | <a href="#">740005</a> | 1,90 €  |
| L61S39 | wheel bolt M12X1,5                          | <a href="#">740007</a> | 2,24 €  | L86S39  | wheel bolt, total 86mm, zinc plated,without chrome cap | <a href="#">740807</a> | 10,53 € |
| L43S23 | Set 20 Bolt, fits Retrofit-wheels           | <a href="#">740805</a> | 51,29 € | L49S23  | Set 20 wheel bolts Maxilite, cone, L24                 | <a href="#">740888</a> | 49,98 € |
| L52S25 | wheel bolt-set, 20pcs. M12X1,5 X25 cone hub | <a href="#">740801</a> | 30,39 € | L47S20  | wheel bolt-set, 20pcs. M12 x 1,5 x 20 cone hub         | <a href="#">740802</a> | 22,34 € |
|        | wheel bolt for MB rim R107 from Sept. 1985  | <a href="#">740514</a> | 4,14 €  | L95S39d | Wheel bolt long (95mm f.Gulli 107/126), simplified     | <a href="#">740914</a> | 13,36 € |

## 41.d Flexible prop shaft discs by dimension

41.d Flexible prop shaft discs by dimension



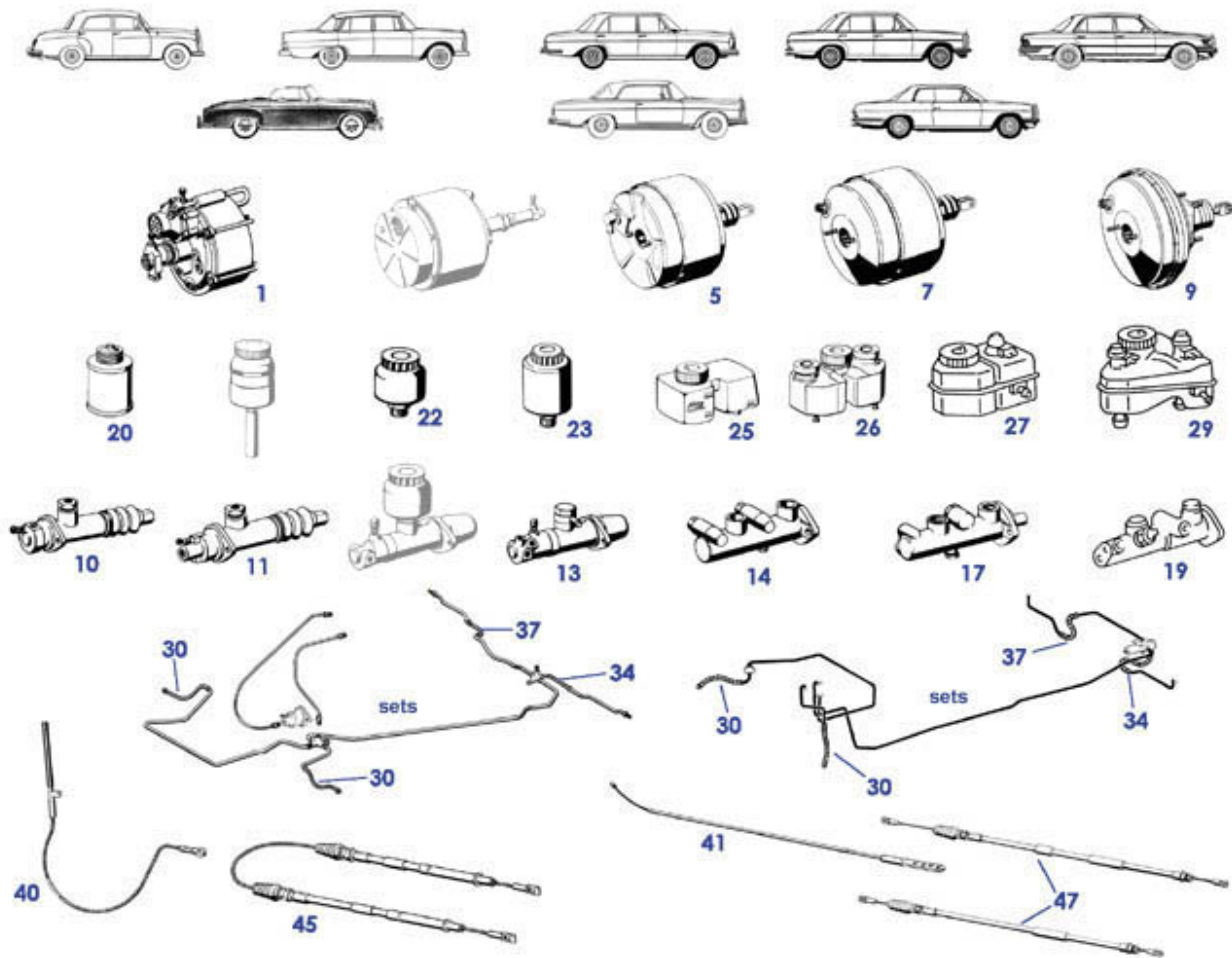
| Inhalt in   | Scheibe einzeln | LKrD | LB    | IdB  |
|-------------|-----------------|------|-------|------|
| SLS-Art-nr. | SLS-Art-nr.     | (mm) | (mm)  | (mm) |
| 141000      | 141001          | 80   | 22    | 12   |
| 241800      | 241001          | 90   | 23,3  | 14   |
| 741000      | 741111          | 90   | 26    | 10   |
| 741002      | 741112          | 90   | 29    | 10   |
| 741001/010  | 741114          | 90   | 34/37 | 10   |
| 741003      | 741124          | 90   | 28,5  | 10   |
|             | 541114          | 90   | 26    | 10   |
| 741120      | 741121          | 110  | 26    | 12   |



|        |   |          |        |   |        |         |
|--------|---|----------|--------|---|--------|---------|
|        | Set prop shaft disc, M117 models + 380from VIN            | 60,69 €  |        | valve cap, black                                      | 740035 | 0,07 €  |
|        | Joint disc, 90mm bolt circle                              | 55,93 €  |        | Nut, rear prop shaft fitting                          | 241048 | 0,92 €  |
|        | plastic grommet, prop shaft Repro, ref. A 202 411 0497    | 3,45 €   | 141001 | Joint disc, 80mm bolt circle, eg 190earl              | 141001 | 67,95 € |
| 241001 | Joint disc, 90mm bolt circle                              | 71,25 €  | 541114 | Flex disc, prop shaft, no bolts                       | 541114 | 46,41 € |
| 741000 | Repr.kit,cardan disc,rear 350 SL/C, 280/380 Chassisnumber | 57,19 €  | 741001 | Repr.kit,cardan disc,rear 280SL/C cn                  | 741001 | 70,07 € |
| 741002 | Repr.kit,prop-disc 2.8 autm. late                         | 80,92 €  | 741003 | Repr.kit,cardan disc                                  | 741003 | 54,44 € |
| 741010 | Repr.kit,cardan disc,fr. 300SL                            | 78,09 €  | 741111 | Flex disc, prop shaft, no bolts                       | 741111 | 52,36 € |
| 741112 | Flex disc, prop shaft, no bolts                           | 82,11 €  | 741114 | Flex disc, prop shaft, no bolts                       | 741114 | 51,17 € |
| 741120 | Set prop shaft disc, M117 models + 380from VIN            | 109,09 € | 741121 | Flex disc, prop shaft large M117 models + 380from VIN | 741121 | 74,46 € |

## 42/43 Brake: Mastercyl., Lines

42/43 Brake: Mastercyl., Lines



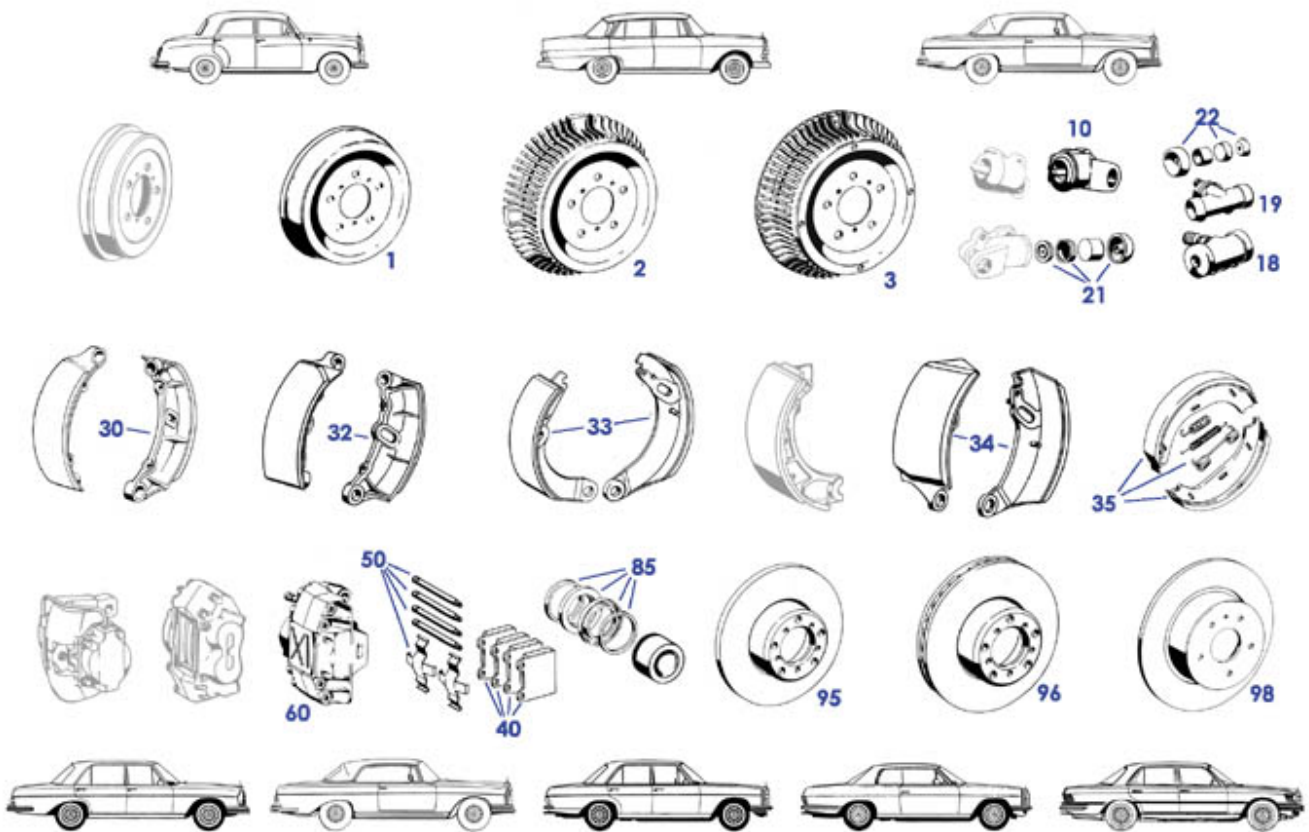
Graf.Inh. zuletzt überarbeitet 21.01.2010 d. SLS-Red.

|    |   |                        |          |    |  |                        |          |
|----|---|------------------------|----------|----|--|------------------------|----------|
|    | Brake fluid.res. 09.75->08.85, ref.No. A0014315302    | <a href="#">743806</a> | 329,99 € |    | Bracket 250-280SL  | <a href="#">243658</a> | 1,06 €   |
|    | 1m white vac-hose for brake vacuum                    | <a href="#">943782</a> | 14,40 €  |    | Master cylinder 250 - 280 SL, R107 -> '74, brand Textar or threaded hollow fitting nut, M12x1, hex12 | <a href="#">243711</a> | 250,82 € |
|    | workshop fitting for 4.75 lines, male thread, hex 11  | <a href="#">942966</a> | 0,36 €   |    | Spring, brake cables up to 08.'76  | <a href="#">943019</a> | 2,49 €   |
|    | Sheet metal screw with hexagon 5.5 X 13 galvanized    | <a href="#">990102</a> | 0,20 €   |    | plug, ATE 03.3517-0300.1   | <a href="#">742555</a> | 7,62 €   |
|    | M10 x 1 ATE blug bolt                                 | <a href="#">943018</a> | 14,99 €  |    | Brake Booster (Repro)   Replacing T51-200 / A0004305530  | <a href="#">943017</a> | 2,89 €   |
|    | brake force limiter rear axle 111/108 6Z FN           | <a href="#">842069</a> | 327,25 € | 5  | "Master Cylinder, 190SL w/o T50  | <a href="#">243700</a> | 698,99 € |
| 7  | Brake Servo T52-9, ATE, ca. '68-'85, div. SL/SE, ..   | <a href="#">243030</a> | 909,90 € | 9  | Master cylinder 230SL LHD from 08143   | <a href="#">743730</a> | 292,92 € |
| 9  | Brake Servo ATE, 107 from '85, div. 129, 126, 124     | <a href="#">743030</a> | 297,45 € | 10 | Master cylinderFN  | <a href="#">143011</a> | 369,69 € |
| 11 | "Master Cylinder, 1-1/16" (with T-50)"                | <a href="#">143010</a> | 231,60 € | 14 | B.m.c.280/350/380/450/500SL/C  | <a href="#">243010</a> | 347,85 € |
| 14 | Master cylinderFN                                     | <a href="#">243012</a> | 297,60 € | 17 | Brake fluid reservoir e.g. 110/111 single circle, LHD  | <a href="#">243011</a> | 269,00 € |
| 17 | B.m.c. 07.74->08.75 ATE                               | <a href="#">743011</a> | 254,22 € | 19 | reservoir, ca'62-'67 (no floater),reproduction   | <a href="#">743012</a> | 197,72 € |
| 20 | Reservoir, metal version, LHD                         | <a href="#">142178</a> | 127,50 € | 22 | Reservoir12.67->7.75,replaced!see pic  | <a href="#">343805</a> | 40,28 €  |
| 22 | Brake fluid reservoir e.g. 110/111 single circle, LHD | <a href="#">343005</a> | 54,74 €  | 25 | Brake hose fr. 470mm   | <a href="#">243705</a> | 76,64 €  |
| 25 | o-ring seal for master cyl reservoir ->67             | <a href="#">243033</a> | 3,31 €   | 26 | Brake hose front, Lt. or Rt.   | <a href="#">243006</a> | 289,27 € |
| 26 | Reservoir from '68, fits manual                       | <a href="#">243606</a> | 90,18 €  | 30 |  | <a href="#">942005</a> | 17,85 €  |
| 30 | Brake hose W110 early fr.                             | <a href="#">942004</a> | 15,78 €  | 30 |  | <a href="#">143035</a> | 50,10 €  |

|     |  |                        |          |     |  |                        |          |
|-----|--|------------------------|----------|-----|--|------------------------|----------|
| 30  | Brake hose, front Lt.or Rt.                          | <a href="#">242040</a> | 49,99 €  | 30  | Brake hose fr., 380mm                            | <a href="#">942003</a> | 14,57 €  |
| 34  | Brake hose rear left up to model year 1966           | <a href="#">143051</a> | 32,00 €  | 34  | Brake hose, rear Lt.                             | <a href="#">242111</a> | 50,99 €  |
| 34  | Brake hose rear left side, 111 from FN, 108 up to FN | <a href="#">843052</a> | 28,50 €  | 37  | Brake hose, rr.rh. 220mm, W121,113,111,108...COH | <a href="#">143052</a> | 49,99 €  |
| 37  | Brake hose rr e.g. W114 late, 280mm                  | <a href="#">543052</a> | 13,91 €  | 37  | Brake hose W109 rr. Lt./Rt.                      | <a href="#">843056</a> | 22,63 €  |
| 37  | Brake hose R/C107,C114,116rr.                        | <a href="#">742105</a> | 34,99 €  | 37  | Brake hose,rr, fits "direct@caliper"             | <a href="#">742106</a> | 33,20 €  |
| 40  | Brake cable middle                                   | <a href="#">442150</a> | 140,00 € | 40  | Brake cable fr. 220S/SE lim.                     | <a href="#">442151</a> | 159,46 € |
| 41  | cable W116 S/SE front                                | <a href="#">642100</a> | 59,50 €  | 45  | Brake wire rear, Repro                           | <a href="#">143160</a> | 115,68 € |
| 47  | Handbrake cable W108 rr.Rt.                          | <a href="#">842140</a> | 49,98 €  | 47  | Handbrake cable W110,111->67, rr RH              | <a href="#">342180</a> | 89,79 €  |
| 47  | rear left Handbrake cable W108                       | <a href="#">842130</a> | 49,98 €  | 47  | Handbrake cable W110,111->67, rr LH              | <a href="#">342170</a> | 95,00 €  |
| 47  | Brake cable W116 rear , left                         | <a href="#">642160</a> | 38,08 €  | 999 | Brake pipe set 250/280S/SE/SEL                   | <a href="#">842285</a> | 60,81 €  |
| 999 | Brake line LHD Mastercyl->frt RH 2350mm              | <a href="#">442013</a> | 7,38 €   | 999 | Brake line W120 ctre, 2500mm                     | <a href="#">442017</a> | 17,06 €  |

## 42/43 Brake (at wheels) 1958 - 1973

42/43 Brake (at wheels) 1958 - 1973



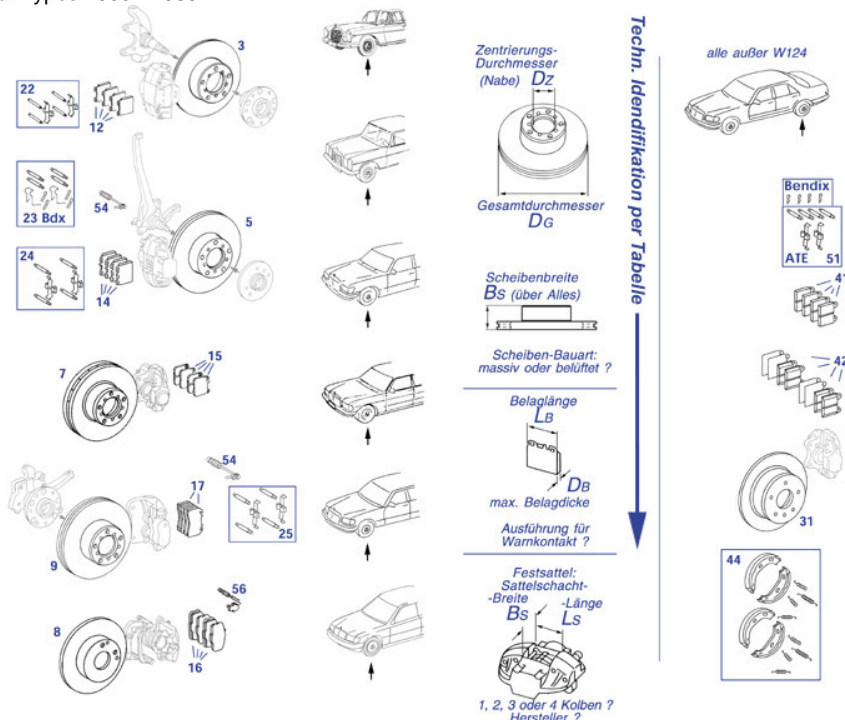
|    |  |                        |          |    |   |                        |          |
|----|--|------------------------|----------|----|---|------------------------|----------|
|    | Repair kit Caliper   W113 & R107 > 12.1972       | <a href="#">242715</a> | 79,99 €  |    | pivot pin brake shoes to cylinders early style      | <a href="#">142036</a> | 115,00 € |
|    | screw for brake axis 230 SL                      | <a href="#">242116</a> | 33,44 €  |    | Set brake pads for Dunlop parking brake             | <a href="#">342200</a> | 84,99 €  |
|    | Screw, backplate to axle, 250-280SL              | <a href="#">242117</a> | 39,98 €  | 10 | Wheel cyl. ATE front left, 021835>                  | <a href="#">143030</a> | 116,49 € |
| 10 | Wheel cyl. ATE frt Rt. 021835>                   | <a href="#">143040</a> | 116,38 € | 10 | Brake cylinder; left; 28,57mm, early version        | <a href="#">443031</a> | 149,99 € |
| 10 | Brake cylinder; right; 28,57mm, early version    | <a href="#">443041</a> | 149,99 € | 10 | Wheel cyl. frt RH. 021835>                          | <a href="#">143840</a> | 53,10 €  |
| 10 | Wheel cyl. frt Lt. 021835>                       | <a href="#">143830</a> | 53,10 €  | 18 | Brake cylinder rear '57-> + replacements            | <a href="#">143050</a> | 75,21 €  |
| 19 | Wheel cylinder rr. 19,05mm ATE 230SL             | <a href="#">242070</a> | 98,81 €  | 21 | Repr. kit, fr. wheel cyl. ATE                       | <a href="#">143045</a> | 85,68 €  |
| 22 | cyl.kit 23,81mm cyl.piston 7500148>              | <a href="#">143049</a> | 41,55 €  | 22 | Wheel brake cylinder repr. kit                      | <a href="#">242071</a> | 20,13 €  |
| 32 | Brake shoe frt, Alu, 65mm wide                   | <a href="#">142000</a> | 115,43 € | 34 | Set early brake shoes 65mm 4pce (exchange)          | <a href="#">142085</a> | 305,00 € |
| 34 | Set of brake shoes 65mm 4pce                     | <a href="#">142885</a> | 243,95 € | 34 | Set late brake shoes 65mm 4pce (exchange)           | <a href="#">142086</a> | 305,00 € |
| 35 | Brake shoes and fitment parts, ATE               | <a href="#">242200</a> | 32,40 €  | 40 | Brk.pads 280/350/450SL/SLC frt 73-80 ATE            | <a href="#">742030</a> | 31,18 €  |
| 40 | Set brake pads frt. calipers '65-'72,ATE         | <a href="#">242030</a> | 31,12 €  | 40 | Brk.p.set 300-500SL, fr. fm.'85                     | <a href="#">742033</a> | 57,67 €  |
| 40 | Brake pad set frt. ca. 3.'80 - 8.'85 (17mm) ATE  | <a href="#">742031</a> | 31,04 €  | 40 | Set of Brake pads front Girling, 230SL** 220SEb**   | <a href="#">242031</a> | 45,77 €  |
| 40 | Set of ATE rear brake pads 1965-19'72   W113-108 | <a href="#">242088</a> | 26,55 €  | 40 | Satz Bremsbeläge hinten TEXTAR                      | <a href="#">242888</a> | 34,90 €  |
| 50 | Mounting Kit BENDIX-brake front W114/115         | <a href="#">542086</a> | 10,77 €  | 50 | Brake fittings, fr. 107+116                         | <a href="#">742028</a> | 14,61 €  |
| 50 | Front Fitting kit, brake.pads   03.1980 ->       | <a href="#">742029</a> | 9,42 €   | 50 | ATE Accessory kit for rear brake pads               | <a href="#">242082</a> | 7,20 €   |
| 50 | Fitting kit, brake pads                          | <a href="#">242081</a> | 9,41 €   | 60 | Brake Caliper rear RH 250 - 280SL (S/SE: FN) Budweg | <a href="#">242822</a> | 275,00 € |



|    |   |                        |          |    |   |                        |          |
|----|---|------------------------|----------|----|---|------------------------|----------|
| 60 | Brake Caliper rear LH 250 - 280SL (S/SE: FN) Budweg | <a href="#">242821</a> | 275,00 € | 60 | In exchange: Late Calliper W108/111 rear right side | <a href="#">842040</a> | 620,64 € |
| 60 | Brake caliper, Lt. 108-113, 115, ATE                | <a href="#">242010</a> | 476,00 € | 60 | Brake caliper, Rt. 108-113, 115, ATE                | <a href="#">242020</a> | 503,47 € |
| 60 | Caliper R/C107 rear Rt.                             | <a href="#">742852</a> | 100,70 € | 60 | Caliper R/C107 rear Lt.                             | <a href="#">742851</a> | 100,70 € |
| 60 | Brake Caliper rear LH 250 - 280SL (S/SE: FN)        | <a href="#">242021</a> | 501,44 € | 60 | Brake Caliper rear RH 250 - 280SL (S/SE: FN)        | <a href="#">242022</a> | 455,87 € |
| 60 | Caliper V8, rear Rt., V8 EUR 73-> FN !              | <a href="#">742054</a> | 369,16 € | 60 | In exchange: Late Calliper W108/111 rear left       | <a href="#">842030</a> | 526,59 € |
| 60 | Calliper 108/C111 fr.Rt. late ATE                   | <a href="#">842020</a> | 375,30 € | 60 | Calliper 108/C111 front left side (late version)    | <a href="#">842010</a> | 375,30 € |
| 60 | Caliper V8, rear left, FN                           | <a href="#">742053</a> | 264,48 € | 60 | Caliper R/C107 rear Rt.                             | <a href="#">742052</a> | 342,65 € |
| 60 | Caliper R/C107 rear left (ATE)                      | <a href="#">742051</a> | 329,53 € | 60 | Calliper W116 fr. Rt.                               | <a href="#">642020</a> | 408,27 € |
| 60 | Calliper W116 fr. Lt.                               | <a href="#">642010</a> | 300,25 € | 60 | Calliper 114/115 late fr.Rt.                        | <a href="#">542020</a> | 225,86 € |
| 60 | Calliper 114/115 late front left side               | <a href="#">542010</a> | 225,86 € | 85 | Repr. kit calliper rr. 111/108 "35"                 | <a href="#">842025</a> | 42,05 €  |
| 85 | Repr. kit, caliper Budweg                           | <a href="#">242825</a> | 14,83 €  | 85 | Repair set, brake caliper                           | <a href="#">242017</a> | 77,35 €  |
| 85 | Brake caliper seal kit, fits ATE 66-72              | <a href="#">242015</a> | 47,60 €  | 85 | Repair-kit for rear brake caliper   250-280SL/SE/L  | <a href="#">242025</a> | 39,82 €  |

# 42/43a Brake discs, several Types 1965 - 1989

42/43a Brake discs, several Types 1965 - 1989



| Durchm. Gesamt | Bauart      | DZ Nabe (Zentrierung) | Scheibenbreite BS GESAMT | SLS-Nr. vgl. (Scheiben Bild) | Beispiele Baumuster   | Hinweis  | Beläge (1Achse)                   | vgl. Bild |    |
|----------------|-------------|-----------------------|--------------------------|------------------------------|---|--|-----------------------------------|-----------|----|
| 253mm          | unbelüftet  | 69mm                  | 66,5mm                   | 243100                       | 110-113 mit "3-Kolbenbremse"<br>übrige 110-113 ATE, 1966/1967 | BM, welche theor. noch mit 13" Rädern zu haben waren                 | 242031 (Girling)<br>242030 ATE    | 12        |    |
| 273mm          | unbelüftet  | 69mm                  | 63,4mm                   | 243200                       | 108,109, 113, 111, 114/115 früh                               | 114/115 mit alter Radnabe  | 242030                            | 12        |    |
|                | belüftet    | 80mm                  | 67,3mm                   | 643200                       | 108,109,111,112 spät  | SE 3 5 alle, SE 2 8 ab FN  | 242030                            | 12        |    |
|                | unbelüftet  | 80mm                  | 63,4mm                   | 543200                       | 114/115 mitte   | 114/115 ab Einsatz vergrößerte Nabe                                  | 242030                            | 12        |    |
| 278mm          | unbelüftet  | 80mm                  | 66,5mm                   | 743100                       |   |  | 242030                            | 12        |    |
|                | belüftet    | 80mm                  | 63,5mm                   | 543300                       | 114/115 einjge, 123 alle !                                    | Beläge 17,5mm nur 123, nicht /B für dünne (15mm) Beläge              | 542032                            | 14        |    |
|                | belüftet    | 80mm                  | 66,5mm                   | 743200                       | 116 alle  | Bauart wie oben, aber Einsatz dickere Beläge (Sattelschacht breiter) | 742030                            | 14        |    |
| 284mm          | unbelüftet  | 80mm                  | 68,5mm                   | 743300                       | 126 bis 1985 (14")  |  | 742031                            | 15        |    |
|                | belüftet    | 67mm                  | 43,5 - 46,5 mm           | 543400                       | 124*201 diverse, je nach Baujahr / Motorisierung              | zu Einzelkolben-Faustsattel<br>Faustsattel oder 4-Kolben-Sattel      | 542033<br>942030                  | 16        |    |
| 300mm          | belüftet    | 80mm                  | 68mm                     | 643400                       | 126 ab '85 (15", Gullideckel)                                 | standard: zu 2-Kolben Sattel   | 742031                            | 15        |    |
| 279mm          | H I N T E N | 67mm                  | 69,5 - 71,7mm            | 243300                       | 31  | Scheibe mit Trommel, diverse (Ausführung für alle, außer 124)        | Klotze "ruh" ohne Quietsch-Pad    | 242088    | 41 |
|                |             |                       |                          |                              |   |  | Wahlweise für alle, Klotze "spät" | 742088    | 42 |
|                |             |                       |                          |                              |   | Beläge angefasst und mit Unterlage                                   | 242200                            | 44        |    |
|                |             |                       |                          |                              |   | Satz Bremsbeläge für Trommel (Feststellbremse) mit Federn            |                                   |           |    |

|        |  |                        |         |        |   |                        |         |
|--------|--|------------------------|---------|--------|---|------------------------|---------|
| Bendix | Anbausatz BENDIX-Bremse hinten                   | <a href="#">742089</a> | 12,99 € | 14     | Brake pad set frt. ca. 3.'80 - 8.'85 (17mm) ATE   | <a href="#">742031</a> | 31,04 € |
| 22     | Fitting kit, brake pads                          | <a href="#">242081</a> | 9,41 €  | 23bdx  | Mounting Kit BENDIX-brake front W114/115          | <a href="#">542086</a> | 10,77 € |
| 24     | Brake fittings, fr. 107+116                      | <a href="#">742028</a> | 14,61 € | 25     | Front Fitting kit, brake.pads   03.1980 ->        | <a href="#">742029</a> | 9,42 €  |
| 42     | Rest: Brake pad set rear '72-'89, brand ATE      | <a href="#">742088</a> | 36,89 € | 51     | ATE Accessory kit for rear brake pads             | <a href="#">242082</a> | 7,20 €  |
| 54     | Wear contact, brake pad                          | <a href="#">742025</a> | 2,52 €  | 56     | el.pointer, flat pad, e.g.124 Types               | <a href="#">542025</a> | 6,01 €  |
| 242030 | Set brake pads frt. calipers '65-'72,ATE         | <a href="#">242030</a> | 31,12 € | 242031 | Set of Brake pads front Girling, 230SL** 220SEb** | <a href="#">242031</a> | 45,77 € |
| 242088 | Set of ATE rear brake pads 1965-19'72   W113-108 | <a href="#">242088</a> | 26,55 € | 242200 | Brake shoes and fitment parts, ATE                | <a href="#">242200</a> | 32,40 € |
| 542032 | Set of brake pads front W123, ATE                | <a href="#">542032</a> | 39,40 € | 542033 | Set brake shoes, ATE                              | <a href="#">542033</a> | 42,66 € |
| 643400 | Set brake discs front, W126 '85->brand ATE       | <a href="#">643400</a> | 62,09 € | 742030 | Brk.pads 280/350/450SL/SLC frt 73-80 ATE          | <a href="#">742030</a> | 31,18 € |
| 742088 | Brake pad set rear '72-'89, brand TEXTAR         | <a href="#">742888</a> | 33,19 € | 742088 | Brake pad set rear '72-'89, brand BOSCH           | <a href="#">742788</a> | 27,37 € |

## 42.e Brake pipes assorted by length

| SLS-Nr | MB-Ref.<br>(Nummern-<br>Ersetzung<br>möglich) | Länge<br>mm | Außen-<br>Durchm.<br>mm | Innen-<br>Durchm.<br>mm | Gewinde 1 | Gewinde 2 | Bördel 1 | Bördel 2 | SW |
|--------|---|-------------|-------------------------|-------------------------|-----------|-----------|----------|----------|----|
| 742104 | A1234205028                                   | 195         | 4,8                     | 3                       | M10 X 1   | M10 X 1   | F        | F        | 11 |
| 742102 | A1234205328                                   | 255         | 4,8                     | 3                       | M10 X 1   | M10 X 1   | F        | F        | 11 |
| 742165 | A1074201128                                   | 300         | 4,8                     | 3                       | M10 X 1   | M10 X 1   | F        | F        | 11 |
| 542066 | A1234205428                                   | 340         | 4,8                     | 3                       | M10 X 1   | M10 X 1   | F        | F        | 11 |
| 742068 | A1234205528                                   | 345         | 4,8                     | 3                       | M10 X 1   | M10 X 1   | F        | F        | 11 |
| 142814 | A1234205628                                   | 390         | 4,8                     | 3                       | M10 X 1   | M10 X 1   | F        | F        | 11 |
| 742064 | A1074209228                                   | 420         | 4,8                     | 3                       | M10 X 1   | M10 X 1   | F        | F        | 11 |
| 142030 | A1234205728                                   | 430         | 4,8                     | 3                       | M10 X 1   | M10 X 1   | F        | F        | 11 |
| 142020 | A1234205828                                   | 450         | 4,8                     | 3                       | M10 X 1   | M10 X 1   | F        | F        | 11 |
| 142812 | A1804200430                                   | 480         | 4,8                     | 3                       | M10 X 1   | M10 X 1   | F        | F        | 11 |
| 142010 | A1804200137                                   | 500         | 4,8                     | 3                       | M10 X 1   | M10 X 1   | F        | F        | 11 |
| 242101 | A1234205928                                   | 525         | 4,8                     | 3                       | M10 X 1   | M10 X 1   | F        | F        | 11 |
| 242066 | A1234206028                                   | 575         | 4,8                     | 3                       | M10 X 1   | M10 X 1   | F        | F        | 11 |
| 242064 | A1234206128                                   | 635         | 4,8                     | 3                       | M10 X 1   | M10 X 1   | F        | F        | 11 |
| 742168 | A1234209428                                   | 840         | 4,8                     | 3                       | M10 X 1   | M10 X 1   | F        | F        | 11 |
| 742066 | A1234206528                                   | 1030        | 4,8                     | 3                       | M10 X 1   | M10 X 1   | F        | F        | 11 |
| 742067 | A1234207028                                   | 1495        | 4,8                     | 3                       | M10 X 1   | M10 X 1   | F        | F        | 11 |
| 242067 | A1234207228                                   | 1650        | 4,8                     | 3                       | M10 X 1   | M10 X 1   | F        | F        | 11 |
| 142017 | A1234207528                                   | 2195        | 4,8                     | 3                       | M10 X 1   | M10 X 1   | F        | F        | 11 |
| 742166 | A1074209328                                   | 2295        | 4,8                     | 3                       | M10 X 1   | M10 X 1   | F        | F        | 11 |
| 142013 | A1234207428                                   | 2390        | 4,8                     | 3                       | M10 X 1   | M10 X 1   | F        | F        | 11 |
| 442017 | A1204200332                                   | 2500        | 4,8                     | 3                       | M10 X 1   | M10 X 1   | F        | F        | 11 |
| 742167 | A1234207628                                   | 2510        | 4,8                     | 3                       | M10 X 1   | M10 X 1   | F        | F        | 11 |
| 242065 | A1234208128                                   | 3100        | 4,8                     | 3                       | M10 X 1   | M10 X 1   | F        | F        | 11 |
| 742065 | A1234208228                                   | 3190        | 4,8                     | 3                       | M10 X 1   | M10 X 1   | F        | F        | 11 |
| 742069 | A1234208328                                   | 3270        | 4,8                     | 3                       | M10 X 1   | M10 X 1   | F        | F        | 11 |
| 742063 | A1234208728                                   | 3640        | 4,8                     | 3                       | M10 X 1   | M10 X 1   | F        | F        | 11 |



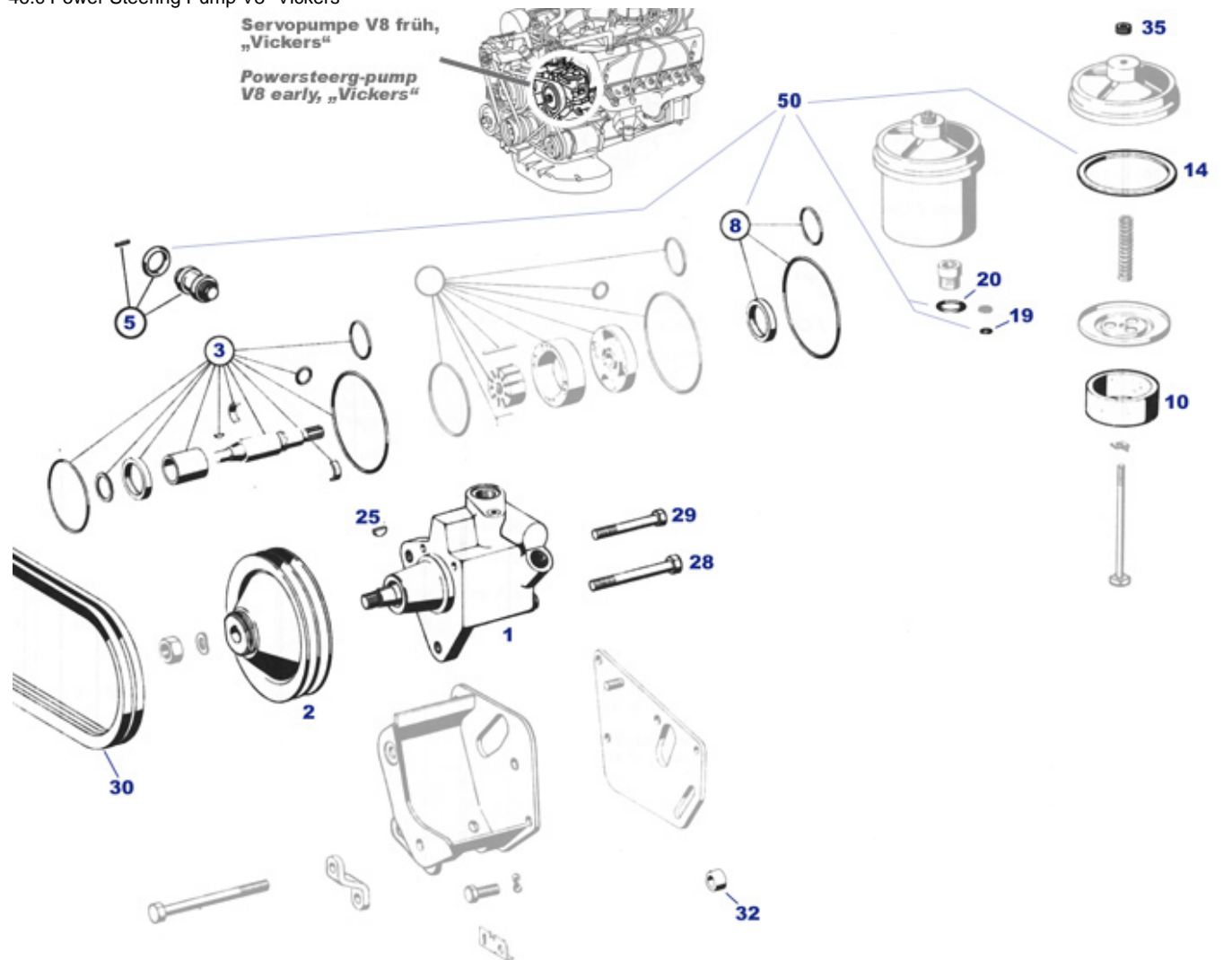
### Andere / others

|        |  |                        |         |        |   |                        |          |
|--------|--|------------------------|---------|--------|---|------------------------|----------|
| others | 5 meter brake steel tube 4.75, zined, painted        | <a href="#">942967</a> | 17,55 € | others | Verteiler Bremsltg. m.Entl. hi. 57->                  | <a href="#">242104</a> | 311,26 € |
| others | workshop fitting for 4.75 lines, male thread, hex 11 | <a href="#">942966</a> | 0,36 €  | others | inline connector, female, fits F-type brake lines M10 | <a href="#">142846</a> | 1,59 €   |
| others | Brake line, T-50->master-cyl. LHD                    | <a href="#">142021</a> | 15,30 € | others | Brake line, T-50->dist. blk.->8501754                 | <a href="#">142022</a> | 15,71 €  |
| others | Brake line, T-50->dist. blk. 8501755->               | <a href="#">142023</a> | 24,94 € | others | Brake line, master-cyl.->tank 8501755>                | <a href="#">142025</a> | 34,99 €  |
| others | Brake line LHD Mastercyl->frt RH 2350mm              | <a href="#">442013</a> | 7,38 €  | 142010 | Brake line 500mm: rr ctre 190SL+ pontoo               | <a href="#">142010</a> | 6,60 €   |
| 142013 | Brake line, ca. 2390mm, 190SL w.T-50, front Rt.      | <a href="#">142013</a> | 22,00 € | 142017 | Brake line 2195mm, 190SL LHD w.T50, ctre              | <a href="#">142017</a> | 19,68 €  |
| 142020 | Brakeline 450mm:R-RH(drumbrke),+frtLH'6              | <a href="#">142020</a> | 27,49 € | 142030 | Brake pipe 430mm: rr LH 190SL+pontoon                 | <a href="#">142030</a> | 5,68 €   |
| 142812 | Brake line 480mm, e.g. 190SL rr rh                   | <a href="#">142812</a> | 12,25 € | 142814 | Brake line 390mm                                      | <a href="#">142814</a> | 10,95 €  |
| 242064 | Brake pipe, rear middle 635mm                        | <a href="#">242064</a> | 15,35 € | 242065 | Brake pipe, long, ctre section, 3100mm, 250-280SL     | <a href="#">242065</a> | 34,50 €  |
| 242066 | Brake pipe, rear ctre or rr.LH, 575mm                | <a href="#">242066</a> | 7,89 €  | 242067 | Brake pipe, front Rt.,late 1650mm                     | <a href="#">242067</a> | 32,00 €  |
| 242101 | Brake pipe 525mm: rr ->'67 LH, '67-> RH              | <a href="#">242101</a> | 14,85 € | 442017 | Brake line W120 ctre, 2500mm                          | <a href="#">442017</a> | 17,06 €  |
| 542066 | Brake line 340mm                                     | <a href="#">542066</a> | 5,95 €  | 742063 | Brake line ctre, ca. 3640mm, SLC-LHD up to FN         | <a href="#">742063</a> | 20,00 €  |
| 742064 | Brake line 420mm, div. purpose                       | <a href="#">742064</a> | 7,50 €  | 742065 | Brake pipe master cyl./junction, LHD 3190mm           | <a href="#">742065</a> | 36,89 €  |
| 742066 | Brake line 1030mm, e.g. rr m / rr rt                 | <a href="#">742066</a> | 15,17 € | 742067 | Brake line 1495mm,RHD-Mastercyl->connct               | <a href="#">742067</a> | 18,93 €  |

|        |   |                        |         |        |   |                        |         |
|--------|---|------------------------|---------|--------|---|------------------------|---------|
| 742068 | Brake line, Mastercyl.->Wheel drv-side  | <a href="#">742068</a> | 8,13 €  | 742069 | Brake line, ctre/long, LHD+FN, 3270mm   | <a href="#">742069</a> | 29,37 € |
| 742102 | Brake line e.g. rr.lt, 255mm            | <a href="#">742102</a> | 5,70 €  | 742104 | Brake line 195mm :, 230frt Lt.,107 rear | <a href="#">742104</a> | 14,28 € |
| 742165 | brake line 300mm, div. purpose          | <a href="#">742165</a> | 5,87 €  | 742166 | Brake line 2295mm,e.g.LHD mastercyl->   | <a href="#">742166</a> | 38,50 € |
| 742167 | Brake line 2510mm, eg LHD-ABS->wheel f. | <a href="#">742167</a> | 24,40 € | 742168 | Brake line, e.g. ABS->wheel frt.rt.     | <a href="#">742168</a> | 12,02 € |

## 46.c Power Steering Pump V8 "Vickers"

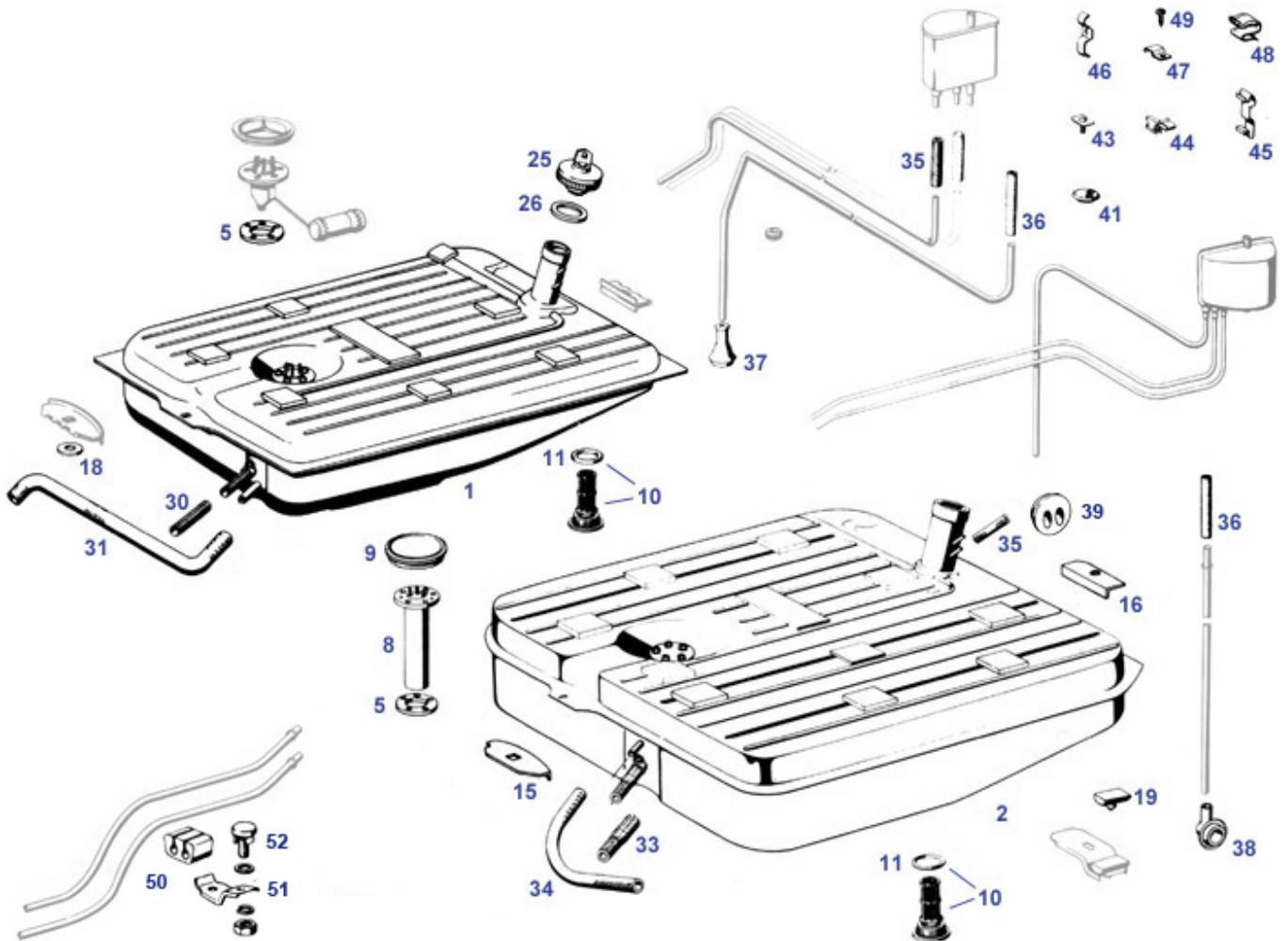
46.c Power Steering Pump V8 "Vickers"



|    |  |                        |          |    |   |                        |         |
|----|--|------------------------|----------|----|---|------------------------|---------|
| 1  | Pump,pwrsteerg, used, sealed, tested, (old part required!) | <a href="#">246100</a> | 607,14 € | 8  | Short gasket kit , pws pump "cyl-shaft" | <a href="#">246104</a> | 2,68 €  |
| 10 | Filter, pws. fluid tank                                    | <a href="#">299022</a> | 29,99 €  | 14 | Sealing ring, fluid tank cap            | <a href="#">299023</a> | 3,68 €  |
| 19 | O-Ring pws-reservoir->pump, small                          | <a href="#">746243</a> | 1,20 €   | 20 | O-ring Vickers                          | <a href="#">746246</a> | 1,87 €  |
| 25 | woodruff key, pump shaft pws                               | <a href="#">246116</a> | 9,50 €   | 30 | Pws drive belt 10 x 1225 e.g. 111-3,5   | <a href="#">399123</a> | 13,80 € |
| 30 | Fan belt 10 x 1184, z.B. 3.5 Servo,FN                      | <a href="#">799123</a> | 7,51 €   | 35 | Milled nut, pws reservoir               | <a href="#">799462</a> | 1,50 €  |

## 47.b Fuel tank W108-112 S/SE div.

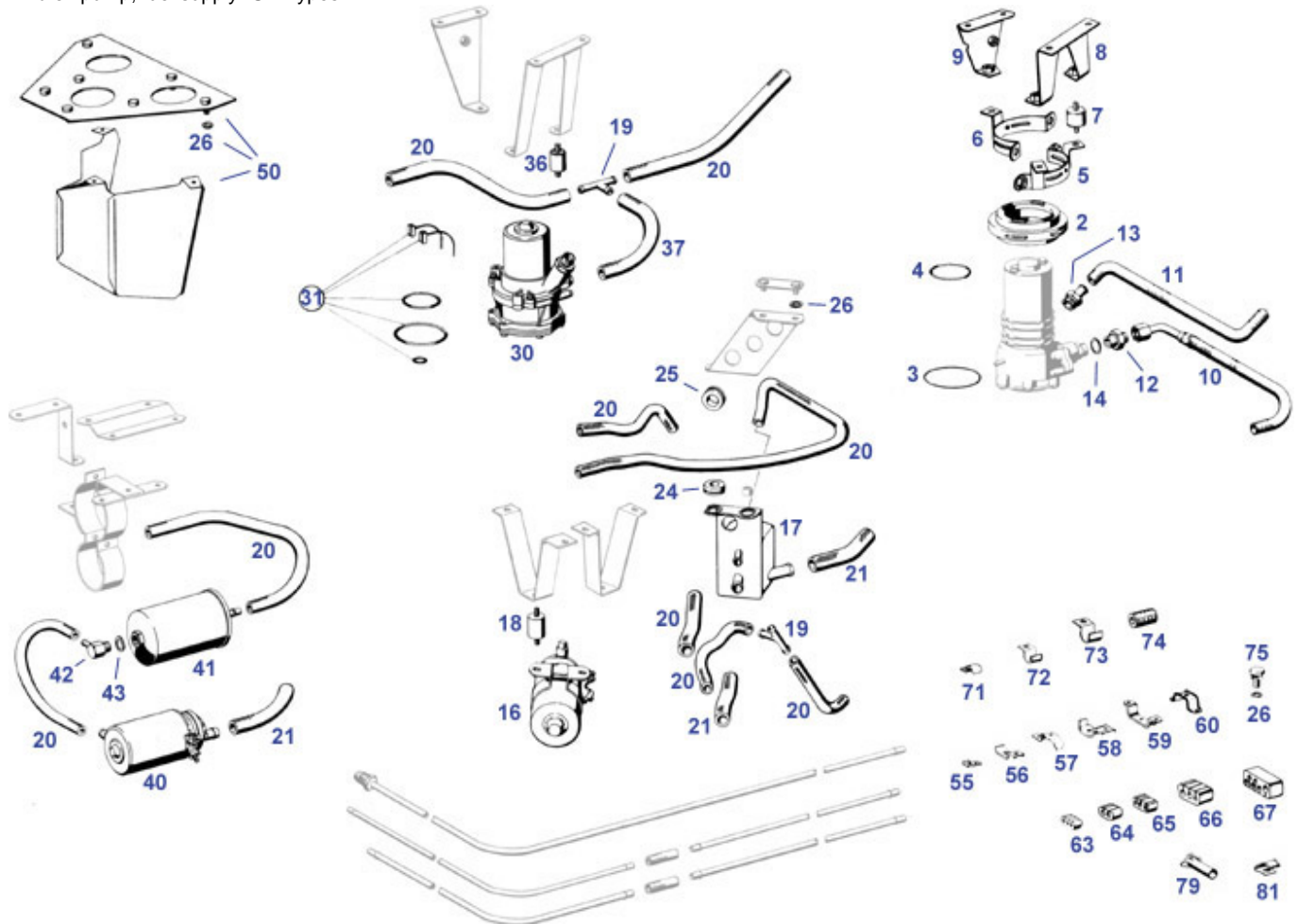
47.b Fuel tank W108-112 S/SE div.



|    |  |                        |          |    |   |                        |          |
|----|--|------------------------|----------|----|---|------------------------|----------|
|    | expansion reservoir for fuel tank ventilation            | <a href="#">247868</a> | 140,00 € |    | clamp 37,5 mm                                 | <a href="#">747040</a> | 5,24 €   |
|    | handle, fuel door 110 or 111 early                       | <a href="#">375847</a> | 29,99 €  |    | rubber inlay, for 3 pipes (8 + 8 + 5mm)       | <a href="#">247859</a> | 5,63 €   |
| 2  | Fuel Tank 78ltr, 250-280E/114                            | <a href="#">547709</a> | 795,00 € | 2  | Fuel tank 82 ltr, div 108-112, Repro          | <a href="#">847809</a> | 577,15 € |
| 5  | Gasket for fuel sender 1956-1972   A1104710180           | <a href="#">147015</a> | 1,48 €   | 8  | fuel sender, 250/280SL, Repro                 | <a href="#">247606</a> | 189,89 € |
| 9  | Cover above fuel sender, plastic,black                   | <a href="#">347014</a> | 7,79 €   | 9  | round cover above fuel sender,Repro           | <a href="#">247814</a> | 5,20 €   |
| 10 | threaded plug with filter element                        | <a href="#">247012</a> | 20,35 €  | 11 | Seal ring, tank filter                        | <a href="#">247013</a> | 0,26 €   |
| 15 | Front bracket, e.g. W108                                 | <a href="#">847026</a> | 22,00 €  | 16 | Clamp, fuel tank, rear                        | <a href="#">247026</a> | 5,77 €   |
| 18 | Shim, Exh/Tank support                                   | <a href="#">298776</a> | 2,83 €   | 25 | Fuel cap, plastic, no lock, FEBI              | <a href="#">747009</a> | 11,04 €  |
| 26 | Seal ring @ gas cap                                      | <a href="#">247010</a> | 2,98 €   | 31 | Hose adapter diam 15->12mm, new pumps @ 82ltr | <a href="#">347998</a> | 7,66 €   |
| 33 | 1m Fuel Hose 14/22mm                                     | <a href="#">747029</a> | 37,28 €  | 33 | Fuel hose 13 x 20mm, plain mantle             | <a href="#">747027</a> | 27,19 €  |
| 34 | 1m Fuel hose tank->pump 11/17mm, fabric                  | <a href="#">247005</a> | 10,41 €  | 35 | 1 m Fuel hose, 4 x 10                         | <a href="#">247046</a> | 4,76 €   |
| 36 | 1m Fuel hose 5,5mm e.g. 107-fuel vent.                   | <a href="#">247847</a> | 3,92 €   | 37 | Grommet, breather tube                        | <a href="#">447019</a> | 21,06 €  |
| 37 | Sleeve, tank ventilation                                 | <a href="#">247079</a> | 7,95 €   | 38 | Grommet, tank vent pipe through carbody       | <a href="#">147070</a> | 6,52 €   |
| 39 | rubber buffer, fuel filler door 108,111,SLC107           | <a href="#">398795</a> | 2,30 €   | 41 | Rubbergrommet 3,5/22mm, fuel vent rear        | <a href="#">399028</a> | 5,63 €   |
| 41 | Grommet, two hole, 5/24, for fuel tank ventilation, rest | <a href="#">199028</a> | 5,26 €   | 45 | Clip,tank ventilating pipe                    | <a href="#">247055</a> | 17,30 €  |
| 46 | Clamp, expansion tank 6mm/9mm                            | <a href="#">247069</a> | 9,70 €   | 47 | Clamp e.g. 6mm lines, wiring, ..              | <a href="#">398047</a> | 0,13 €   |

## 47.d el. pump, fuel supply "SE-Types"

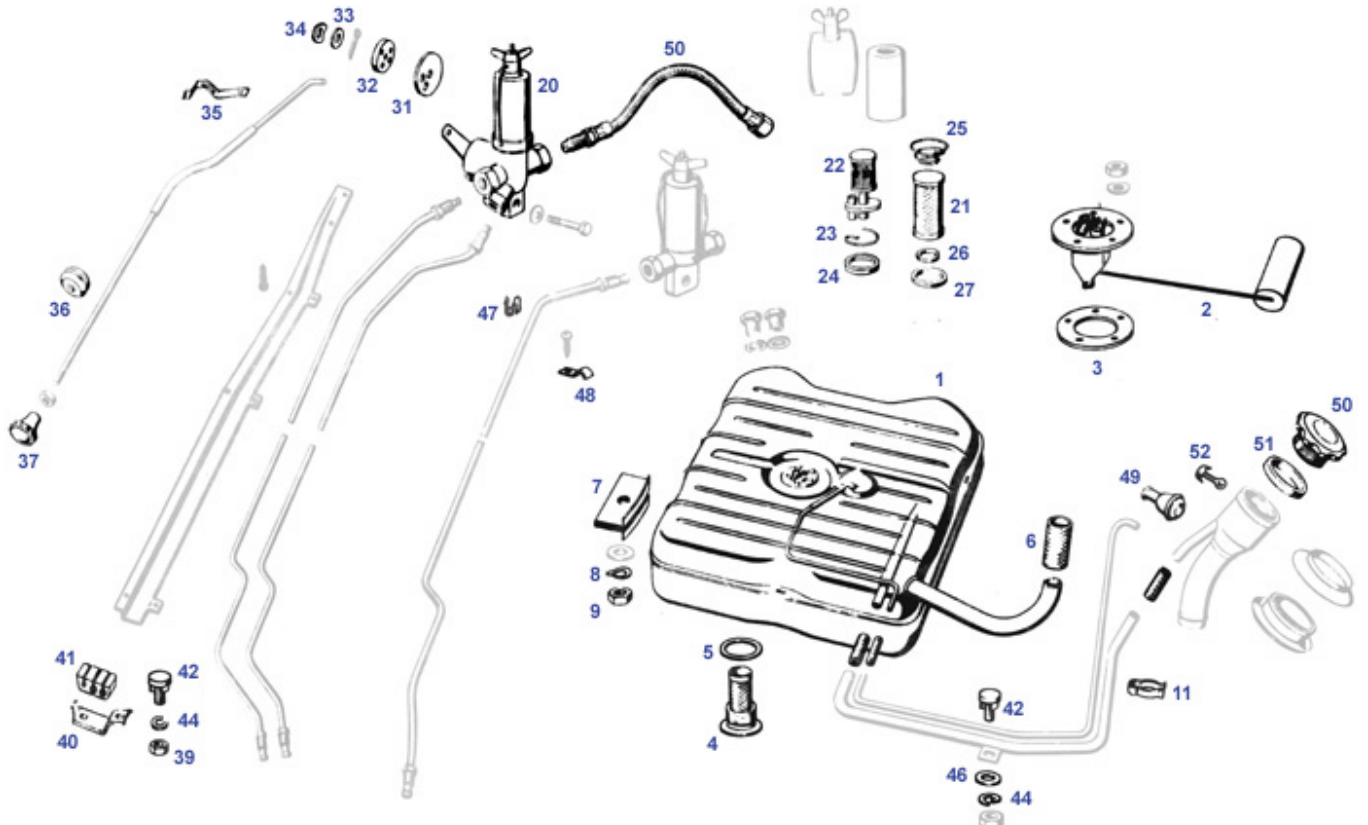
47.d el. pump, fuel supply "SE-Types"



|    |   |                        |          |    |   |                        |          |
|----|---|------------------------|----------|----|---|------------------------|----------|
|    | impeller disc, small feeder pump 280SE/SL         | <a href="#">247070</a> | 118,99 € |    | rubber inlay, for 3 pipes (8 + 8 + 5mm)     | <a href="#">247859</a> | 5,63 €   |
|    | Universal Fuel pump, alternative for D-Jet        | <a href="#">347005</a> | 164,59 € |    | clamp 37,5 mm                               | <a href="#">747040</a> | 5,24 €   |
| 2  | Ring, early fuel pump rubber mount                | <a href="#">247033</a> | 47,10 €  | 3  | Seal ring,lower,early                       | <a href="#">247037</a> | 4,55 €   |
| 5  | Clamp,early ,second half                          | <a href="#">247036</a> | 127,90 € | 6  | Clamp,early ,first half                     | <a href="#">247035</a> | 122,71 € |
| 8  | Pump support, f.early pump                        | <a href="#">347080</a> | 46,06 €  | 10 | Hose,ff.,230SL to vn.013014, W111, ..       | <a href="#">247002</a> | 44,95 €  |
| 14 | Seal ring 18x22 Al                                | <a href="#">109019</a> | 0,94 €   | 18 | Rubber buffer,fuel pump,late                | <a href="#">247023</a> | 4,74 €   |
| 19 | T-connector, fuel hoses                           | <a href="#">247015</a> | 4,76 €   | 20 | 1m Fuel hose tank->pump 11/17mm, fabric     | <a href="#">247005</a> | 10,41 €  |
| 21 | 1m Fuel Hose 14/22mm                              | <a href="#">747029</a> | 37,28 €  | 21 | Fuel hose 13 x 20mm, plain mantle           | <a href="#">747027</a> | 27,19 €  |
| 21 | Hose adapter diam 15->12mm, new pumps @ 82ltr     | <a href="#">347998</a> | 7,66 €   | 24 | Grommet,14/18, bulkhead, generator wire     | <a href="#">298784</a> | 2,59 €   |
| 25 | Rubber grommet 10/15, taillight bucket 190SL, 107 | <a href="#">199020</a> | 1,08 €   | 26 | rubber washer fits M6                       | <a href="#">299081</a> | 1,19 €   |
| 37 | 1m. Fuel hose 7,5x13,0 flat surface               | <a href="#">247007</a> | 8,50 €   | 41 | Fuel filter R/C 107 -> 06.1976              | <a href="#">747702</a> | 29,21 €  |
| 42 | Threaded fittig to filter 747702                  | <a href="#">747147</a> | 9,75 €   | 43 | Seal ring 14mm Alu                          | <a href="#">207186</a> | 1,08 €   |
| 50 | Metal box W108 pump protection                    | <a href="#">847021</a> | 61,11 €  | 55 | Clamp, bulkhead                             | <a href="#">242058</a> | 2,76 €   |
| 56 | Fuel and brake line clamp, for 30mm rubbers       | <a href="#">147014</a> | 2,32 €   | 57 | Clamp,pipe,front, outrigger                 | <a href="#">247052</a> | 5,94 €   |
| 58 | 3-way Clamp Fuel Pipes, W113 (EU)                 | <a href="#">247040</a> | 2,90 €   | 59 | Clamp, several lines, wide                  | <a href="#">847049</a> | 13,27 €  |
| 63 | Rubber inlay, clamp, 3 line, 1x8 + 2x5mm          | <a href="#">847039</a> | 2,82 €   | 65 | clamp inlay                                 | <a href="#">747038</a> | 1,84 €   |
| 66 | Rubber protect. 2+1 pipes in clamp                | <a href="#">247839</a> | 7,09 €   | 71 | Clamp, e.g. oil-pipe, wires                 | <a href="#">199025</a> | 4,22 €   |
| 71 | Clamp,small,e.g.hydraulicpipe                     | <a href="#">229027</a> | 3,65 €   | 72 | Clamp,pipe,under body,rear                  | <a href="#">247053</a> | 7,69 €   |
| 74 | Hose, 8,5/15mm, 1 metre                           | <a href="#">247050</a> | 12,60 €  | 75 | Clamping Bolt M6 for square bodypanel holes | <a href="#">188036</a> | 8,45 €   |

## 47.a Tank Ponton

47.a Tank Ponton



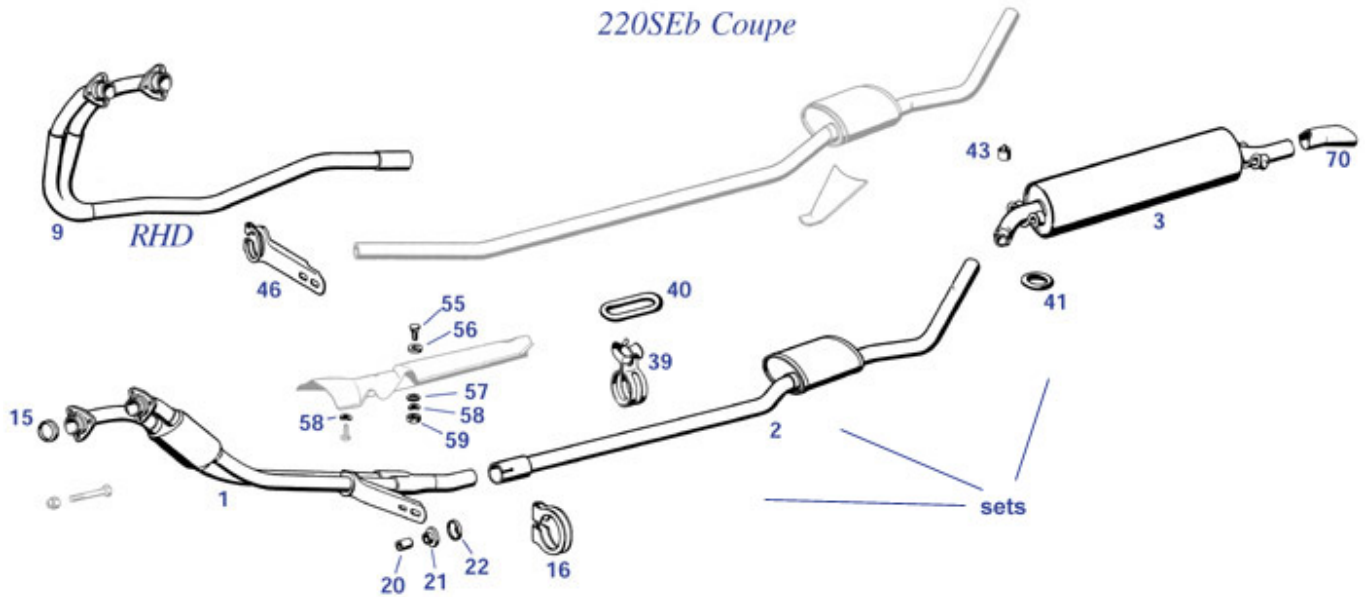
|      |   |                        |          |    |  |                        |          |
|------|---|------------------------|----------|----|--|------------------------|----------|
|      | rubber inlay, for 3 pipes (8 + 8 + 5mm)     | <a href="#">247859</a> | 5,63 €   |    | clamp inlay                                      | <a href="#">747038</a> | 1,84 €   |
| hose | 1m Fuel hose tank->pump 11/17mm, fabric     | <a href="#">247005</a> | 10,41 €  | 1  | Fuel tank 65 ltr, ponton, ie 220S, see photos    | <a href="#">447000</a> | 891,01 € |
| 2    | Fuel sender, 2-pole, 190SL,Pontoon,Repr     | <a href="#">154000</a> | 116,99 € | 3  | Gasket for fuel sender 1956-1972   A1104710180   | <a href="#">147015</a> | 1,48 €   |
| 4    | N/A : Screwed drain plug                    | <a href="#">147055</a> | 49,80 €  | 5  | Alu seal ring M26, e.g. fuel tank                | <a href="#">147056</a> | 0,95 €   |
| 6    | Gummischlauch am Tankstutzen                | <a href="#">447053</a> | 17,85 €  | 7  | Front bracket, e.g. W108                         | <a href="#">847026</a> | 22,00 €  |
| 7    | Retainer, fuel tank                         | <a href="#">147822</a> | 66,94 €  | 7  | Fuel tank bracket, wide design, see illustration | <a href="#">147022</a> | 69,85 €  |
| 9    | Nut M8                                      | <a href="#">142155</a> | 0,50 €   | 11 | Spring clip,vac. pipe to fuel line               | <a href="#">299471</a> | 15,15 €  |
| 21   | Filter element, throw away paper            | <a href="#">147001</a> | 13,07 €  | 24 | Gasket, filter cup ->7502460                     | <a href="#">147081</a> | 4,86 €   |
| 26   | Gasket, filter element to housg late        | <a href="#">147085</a> | 1,36 €   | 27 | Gasket, filter cup 7502461->                     | <a href="#">147080</a> | 2,14 €   |
| 31   | Gasket, fuel tap 7502461->                  | <a href="#">147088</a> | 3,72 €   | 32 | Gasket, fuel tap ->7502460                       | <a href="#">147089</a> | 8,56 €   |
| 33   | Washer5.3mm                                 | <a href="#">142905</a> | 0,24 €   | 34 | Washer,waved shape,M5, zined                     | <a href="#">142904</a> | 0,25 €   |
| 35   | Spring clip                                 | <a href="#">147029</a> | 29,90 €  | 36 | Grommet for front panel                          | <a href="#">299808</a> | 0,77 €   |
| 37   | Knob (M5) for wiper switch...               | <a href="#">154044</a> | 49,98 €  | 39 | Hex nut M6, yellow zinc.                         | <a href="#">181023</a> | 0,18 €   |
| 40   | Fuel and brake line clamp, for 30mm rubbers | <a href="#">147014</a> | 2,32 €   | 41 | Rubber prot. 3 pipes in clamp                    | <a href="#">147839</a> | 2,59 €   |
| 41   | Rubber guide                                | <a href="#">147038</a> | 3,76 €   | 42 | Clamping Bolt M6 for square bodypanel holes      | <a href="#">188036</a> | 8,45 €   |
| 44   | Spring washer, fits M6                      | <a href="#">181028</a> | 0,18 €   | 46 | Washer 6,5 x 13                                  | <a href="#">799915</a> | 0,17 €   |
| 48   | Hose strap, replaces hose clamp             | <a href="#">250099</a> | 0,55 €   | 49 | Manschette Tankentl.,Bauart"Ponton"              | <a href="#">447079</a> | 10,84 €  |



## 49 Exhaust 220SEb

49 Exhaust 220SEb

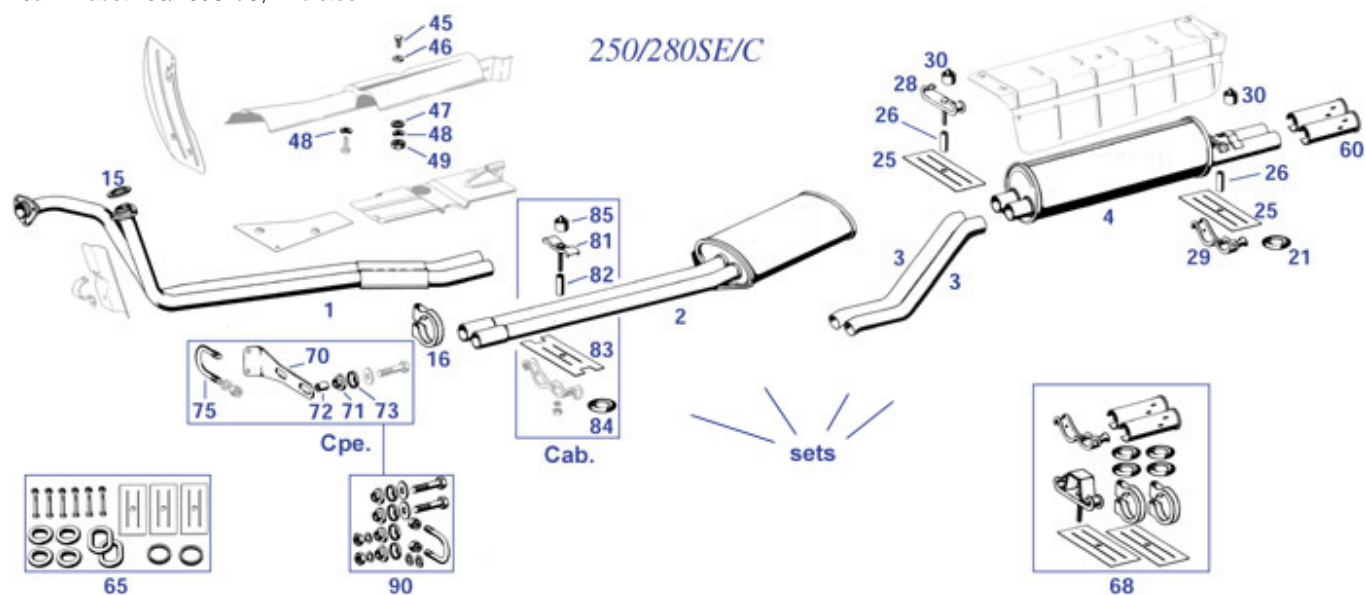
220SEb Coupe



|      |   |                        |            |      |  |                        |            |
|------|---|------------------------|------------|------|--|------------------------|------------|
|      | exhaust repair paste                        | <a href="#">749595</a> | 10,67 €    |      | Frnt-Pipe Stainless 220SE/b Cab. LHD               | <a href="#">349005</a> | 688,25 €   |
|      | Hex Bolt stainless steel, M8 X 30           | <a href="#">349818</a> | 0,49 €     | sets | Set 3-pcs stainless exhaust 220SEb                 | <a href="#">349891</a> | 1.888,99 € |
|      | RR silencer stainless 220SEb                | <a href="#">349928</a> | 747,63 €   |      | Centre-silencer stainless, 220SEb                  | <a href="#">349923</a> | 458,82 €   |
| sets | Set stainless steel exhaust 220SE/b Cab     | <a href="#">349493</a> | 1.818,90 € | 2    | Centre box 220SEb/+C LHD (OEM)                     | <a href="#">349023</a> | 215,39 €   |
| 3    | End box 220SEb/C, aftermarket               | <a href="#">349030</a> | 239,90 €   | 3    | Rear silencer W110, 190 (replcemt), 200-230, Repro | <a href="#">349029</a> | 298,00 €   |
| 16   | Exhaust clamp, 51mm                         | <a href="#">149017</a> | 3,96 €     | 20   | Spacer sleeve (e.g. exhaust bracket)               | <a href="#">849819</a> | 3,76 €     |
| 20   | threaded bushing with hexagonal collar      | <a href="#">314003</a> | 8,93 €     | 21   | Rubber shim at exh. bracket                        | <a href="#">114002</a> | 3,83 €     |
| 22   | Retainer at exh. bracket                    | <a href="#">114001</a> | 6,55 €     | 41   | inner diameter 30, rubberstring 15                 | <a href="#">249019</a> | 1,90 €     |
| 43   | Rubber buffer, exhaust                      | <a href="#">798747</a> | 0,92 €     | 43   | Rubber buffer, floor/exhast, others...             | <a href="#">249818</a> | 4,68 €     |
| 55   | Clamping Bolt M6 for square bodypanel holes | <a href="#">188036</a> | 8,45 €     | 56   | Rubber ring, wiper motor                           | <a href="#">282407</a> | 0,77 €     |
| 57   | Washer 6.4 large, yellow zinned             | <a href="#">299276</a> | 0,18 €     | 58   | Spring washer M6                                   | <a href="#">142158</a> | 0,15 €     |
| 59   | Hex nut M6, yellow zinc.                    | <a href="#">181023</a> | 0,18 €     | 70   | Tail pipe, pipe shape, chrome, fits 45-49mm pipes  | <a href="#">949031</a> | 43,49 €    |

## 49a Exhaust 250/280SE/C, mild steel

49a Exhaust 250/280SE/C, mild steel



In this illustration: the LHD double tube version (continuous double pipe) was used from the injection model 250SE W108 or W111 and thereafter for all 280S/SE as a modernization/successor of the one-pipe plant (types up to 250S). Since no longer all parts are available from industrial after-production, adaptation can be useful:

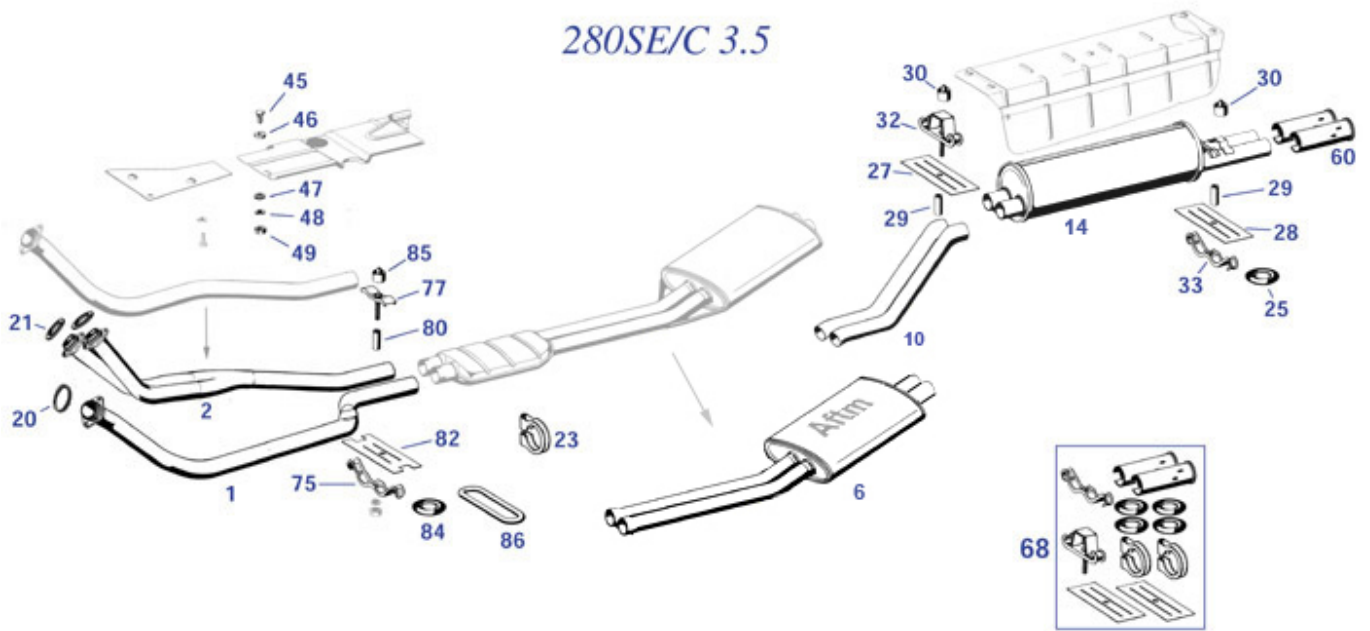
- Combination clamped components with those intended for welding
- Conversion of front or middle tubes to other ground platform (convertible) for adaptation
- Conversion of SE front tubes for adaptation to carburetor models.

|    |   |                        |          |    |   |                        |          |
|----|---|------------------------|----------|----|---|------------------------|----------|
|    | exhaust repair paste                          | <a href="#">749595</a> | 10,67 €  |    | Gasket Intake/Exhaust M127-130, ELRING      | <a href="#">249990</a> | 14,54 €  |
| 1  | Frontpipe 250-280SE cpe. LHD                  | <a href="#">349009</a> | 291,25 € | 2  | Mid sil.250/280SE/SEC 2-pipe                | <a href="#">849010</a> | 232,05 € |
| 2  | Mid sil.250/280SE/SEC 2-pipe                  | <a href="#">849810</a> | 133,52 € | 3  | Conn.pipe 250SE-300SEL                      | <a href="#">849020</a> | 29,00 €  |
| 4  | Endtopf 6-Zyl.: 108-109, 111 sp. Aftm.        | <a href="#">849830</a> | 209,00 € | 15 | Sealing ring, exhaust manif.                | <a href="#">249060</a> | 2,37 €   |
| 16 | Exhaust clamp, 51mm                           | <a href="#">149017</a> | 3,96 €   | 21 | inner diameter 30, rubberstring 15          | <a href="#">249019</a> | 1,90 €   |
| 25 | Insulating plate                              | <a href="#">249015</a> | 8,62 €   | 26 | Spacer sleeve (e.g. exhaust bracket)        | <a href="#">849819</a> | 3,76 €   |
| 28 | Hanger, rear muffler frt end 108-111 V8, W116 | <a href="#">349013</a> | 15,95 €  | 30 | Rubber buffer, floor/exhaust, others...     | <a href="#">249818</a> | 4,68 €   |
| 30 | Rubber buffer, exhaust                        | <a href="#">798747</a> | 0,92 €   | 45 | Clamping Bolt M6 for square bodypanel holes | <a href="#">188036</a> | 8,45 €   |
| 46 | Rubber ring, wiper motor                      | <a href="#">282407</a> | 0,77 €   | 47 | Washer 6.4 large, yellow zined              | <a href="#">299276</a> | 0,18 €   |
| 48 | Spring washer M6                              | <a href="#">142158</a> | 0,15 €   | 49 | Hex nut M6, yellow zinc.                    | <a href="#">181023</a> | 0,18 €   |
| 60 | Tail pipe, chrome, Premium quality            | <a href="#">249033</a> | 31,57 €  | 60 |   |                        |          |

# 49b Exhaust 280SE/C 3.5

49b Exhaust 280SE/C 3.5

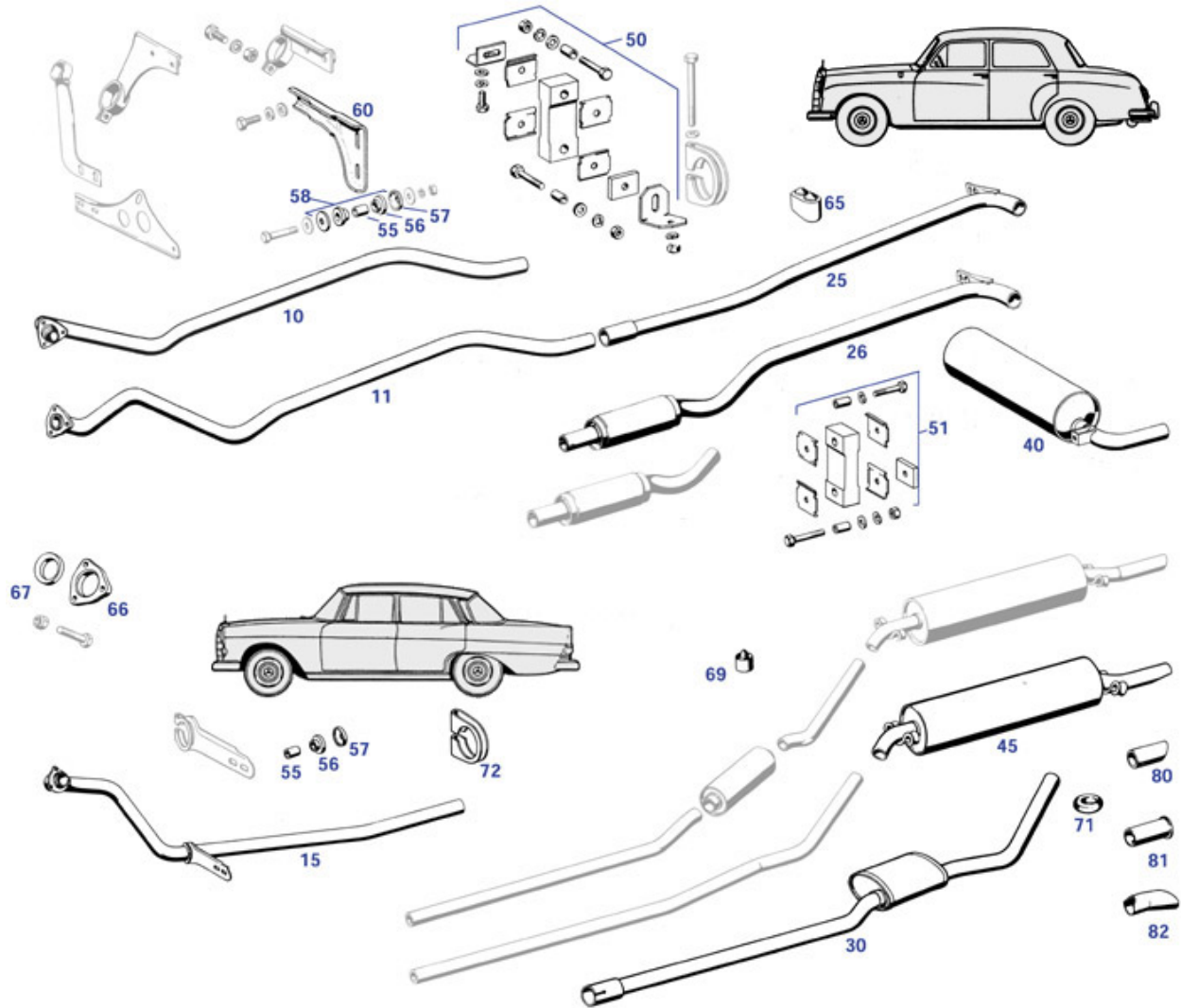
280SE/C 3.5



|    |  |                        |          |    |   |                        |          |
|----|--|------------------------|----------|----|---|------------------------|----------|
|    | exhaust repair paste                                 | <a href="#">749595</a> | 10,67 €  |    | ctre silencer W108-9 SEL / 3.5 / 4.5, Repro   | <a href="#">849112</a> | 327,73 € |
|    | Tail pipe, chrome                                    | <a href="#">249733</a> | 22,85 €  | 1  | Frt pipe 3.5 LH,LHD,108/9,111Cpe, Repro       | <a href="#">849807</a> | 120,49 € |
| 2  | Frt pipe 3.5 RH,LHD,108/9,111Cpe, Repro              | <a href="#">849808</a> | 160,00 € | 6  | ctre silencer W111, 280SE/SEC 3.5             | <a href="#">349120</a> | 269,99 € |
| 10 | Conn.pipe V8 108/109,111 Cpe, repro                  | <a href="#">849821</a> | 124,95 € | 14 | Rear silencer 8 Cyl: 108-109, C111 3.5, Repro | <a href="#">849131</a> | 333,20 € |
| 20 | Manif.ring 350/350SL/C ->11.78                       | <a href="#">749066</a> | 1,63 €   | 21 | Sealing ring, exhaust manif.                  | <a href="#">249060</a> | 2,37 €   |
| 21 | gasket ring, 45 / 53,5                               | <a href="#">749060</a> | 2,50 €   | 23 | Exh.clamp 53.5mm, ->03.80                     | <a href="#">749057</a> | 4,12 €   |
| 23 | Exhaust clamp, 51mm                                  | <a href="#">149017</a> | 3,96 €   | 25 | inner diameter 30, rubberstring 15            | <a href="#">249019</a> | 1,90 €   |
| 30 | Rubber buffer, exhaust                               | <a href="#">798747</a> | 0,92 €   | 30 | Rubber buffer, floor/exhaust, others...       | <a href="#">249818</a> | 4,68 €   |
| 32 | Hanger, rear muffler frt end 108-111 V8, W116        | <a href="#">349013</a> | 15,95 €  | 45 | Clamping Bolt M6 for square bodypanel holes   | <a href="#">188036</a> | 8,45 €   |
| 46 | Rubber ring, wiper motor                             | <a href="#">282407</a> | 0,77 €   | 48 | Spring washer M6                              | <a href="#">142158</a> | 0,15 €   |
| 49 | Hex nut M6, yellow zinc.                             | <a href="#">181023</a> | 0,18 €   | 60 | Tail pipe, chrome, Premium quality            | <a href="#">249033</a> | 31,57 €  |
| 75 | Double hanger bracket. SLC, C111..                   | <a href="#">749854</a> | 16,24 €  | 75 | exhaust hanger, fits 107 rear up to FN, 111FN | <a href="#">749853</a> | 9,64 €   |
| 77 | Exhaust Bracket R/C107, W111 Coupe.3.5   A1094900343 | <a href="#">749046</a> | 9,22 €   | 86 | Rubber exhaust hanger, long =                 | <a href="#">749038</a> | 4,70 €   |

## 49c Exhaust, 4-cyl. 1955-1967

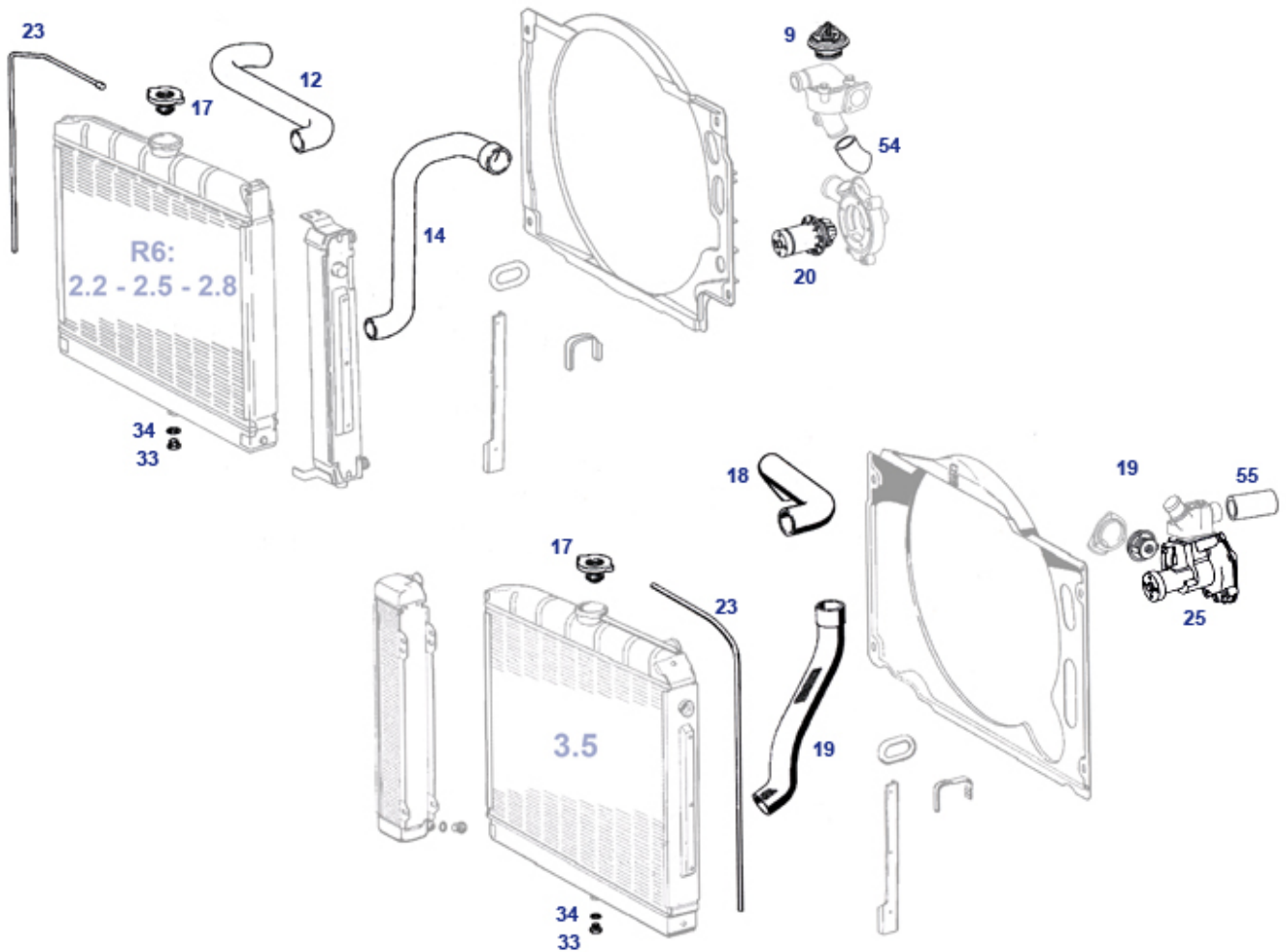
49c Exhaust, 4-cyl. 1955-1967



|    |  |                        |          |    |  |                        |          |
|----|--|------------------------|----------|----|--|------------------------|----------|
|    | exhaust repair paste                               | <a href="#">749595</a> | 10,67 €  |    | Rear Silencer W110 Diesel, 190Dc/200D, Repro | <a href="#">349132</a> | 242,76 € |
|    | Rest: Rear Silencer e.g. 190c (W110), Repro        | <a href="#">349133</a> | 169,93 € |    | Rubber hanger, exhaust 190SL, pontoon        | <a href="#">149048</a> | 5,65 €   |
| 10 | Front pipe 180,180Db/Dc late , 190D,...            | <a href="#">449010</a> | 120,19 € | 10 | Front pipe 180d,180Db/Dc early               | <a href="#">449012</a> | 120,19 € |
| 11 | Exhaust pipe front 180a,b,c,190,b                  | <a href="#">449015</a> | 120,19 € | 11 | Front pipe 180a,b,c, 190, 190b               | <a href="#">449011</a> | 120,19 € |
| 15 | Frontpipe 190c (W110) LHD                          | <a href="#">349002</a> | 129,31 € | 25 | "Exhaust pipe, "pontoon" without box"        | <a href="#">449019</a> | 77,35 €  |
| 40 | Rear silencer, aftm.zn/al-plated                   | <a href="#">149030</a> | 174,00 € | 40 | "Box, rear, "pontoon" 4 cyl."                | <a href="#">449030</a> | 177,31 € |
| 45 | Rear silencer W110, 190 (replcemt), 200-230, Repro | <a href="#">349029</a> | 298,00 € | 51 | Hanger kit, exhaust rear                     | <a href="#">149040</a> | 23,06 €  |
| 56 | Rubber shim at exh. bracket                        | <a href="#">114002</a> | 3,83 €   | 57 | Retainer at exh. bracket                     | <a href="#">114001</a> | 6,55 €   |
| 60 | Exhaust support bracket, late LHD                  | <a href="#">114016</a> | 59,63 €  | 65 | Rubber bumper at floor                       | <a href="#">149035</a> | 23,57 €  |
| 66 | Flange 180er, 190,b,Db,D                           | <a href="#">449050</a> | 8,69 €   | 71 | inner diameter 30, rubberstring 15           | <a href="#">249019</a> | 1,90 €   |
| 72 | HD clamp 45mm 3D-shape zincd steel                 | <a href="#">249017</a> | 6,60 €   | 72 | Exhaust clamp, 48mm                          | <a href="#">749056</a> | 3,75 €   |
| 72 | Exhaust clamp, 51mm                                | <a href="#">149017</a> | 3,96 €   | 81 | Tail pipe, chrome, 180-200D                  | <a href="#">349060</a> | 13,71 €  |

## 50 Cooling System

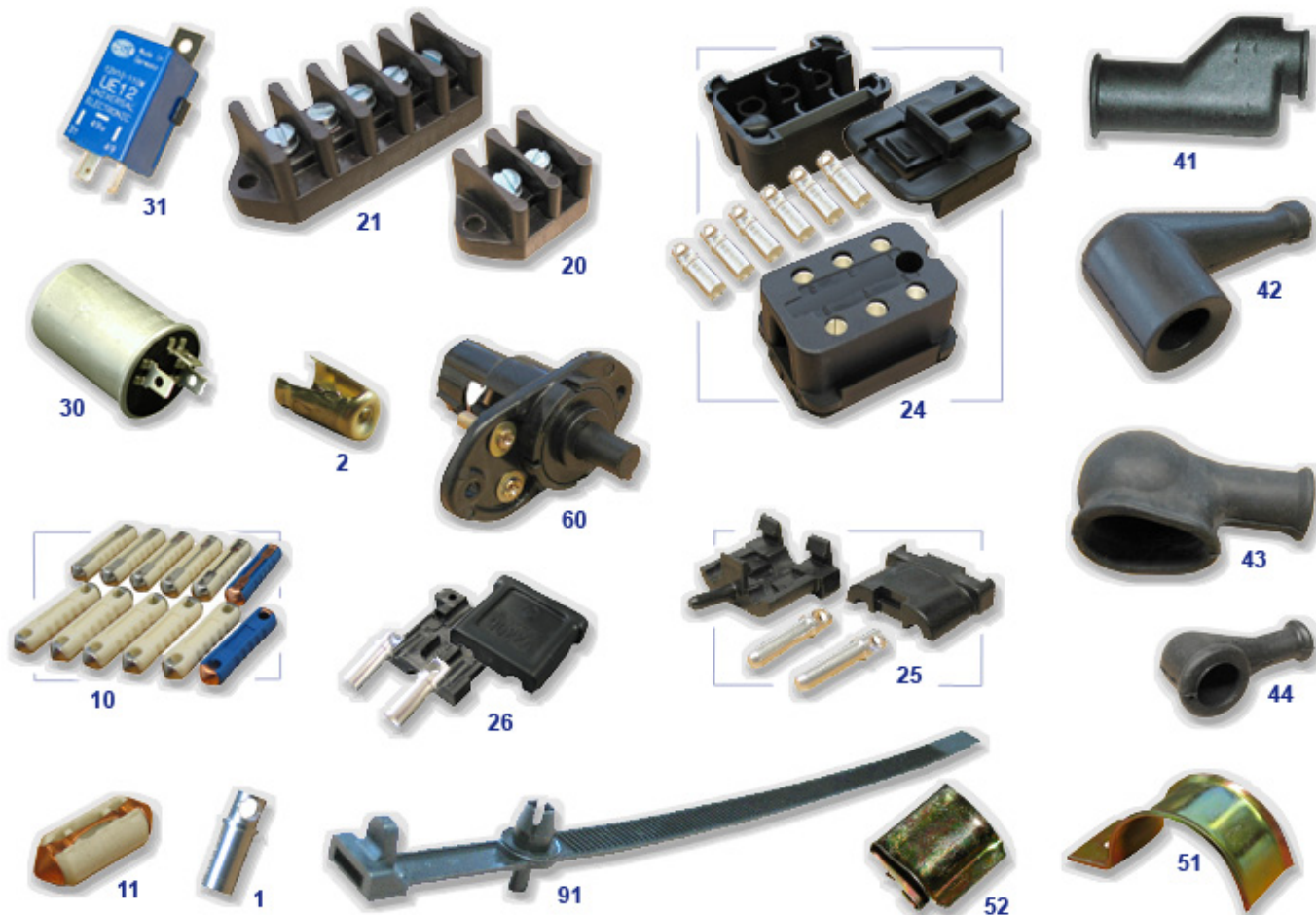
### 50.c Radiator hoses from 220 up to 3.5



|     |   |                        |          |     |   |                        |          |
|-----|---|------------------------|----------|-----|---|------------------------|----------|
|     | fan blade 9 wings, plastic                            | <a href="#">520308</a> | 26,55 €  |     | Visco fan coupling, M129,130E,110, Meyle    | <a href="#">220030</a> | 93,19 €  |
|     | water pump for engine 114/115/180/127, maintance free | <a href="#">420820</a> | 41,59 €  |     | Oil cooler, 280SL FN, Alu Repro             | <a href="#">250811</a> | 303,45 € |
|     | Rubbergrommet, heat.return Rt. or drain 108boot       | <a href="#">799003</a> | 13,01 €  |     | Water hose rad.lower, 280S/SE/SEL...        | <a href="#">850013</a> | 8,50 €   |
|     | Visco fan coupling, M129,130E,110, FEBI               | <a href="#">220530</a> | 147,25 € |     | Visco fan coupling, M129,130E,110, DASIS    | <a href="#">220630</a> | 129,89 € |
| 9   | Thermostat cartridge/gkt. 79°                         | <a href="#">220008</a> | 19,58 €  | 12  | Rad.-hose upper, 250S/SE                    | <a href="#">850012</a> | 25,59 €  |
| 12  | Water rose, rad upper, 6-Cyl, FN                      | <a href="#">850015</a> | 6,21 €   | 12  | Water hose upper 110/111                    | <a href="#">350012</a> | 8,19 €   |
| 12  | Rad.-hose upper, 280S/SE from VIN                     | <a href="#">350022</a> | 6,01 €   | 12  | Water hose w. bellow                        | <a href="#">450006</a> | 64,36 €  |
| 14  | Water hose, rad. 280SE/111 early, lower               | <a href="#">350014</a> | 11,44 €  | 14  | Water hose lower, 111/108 div               | <a href="#">850014</a> | 7,53 €   |
| 14  | Rad.-hose lower, 111-2.5 from FG                      | <a href="#">350013</a> | 35,70 €  | 17  | Cap, cooling liquid "ID 100",   W121&113    | <a href="#">150017</a> | 29,75 €  |
| 17  | Radiator cap ref A 123 501 0215 char-id 120           | <a href="#">750016</a> | 4,41 €   | 17  | Radiator cap ref A 123 501 0215 char-id 110 | <a href="#">550016</a> | 5,36 €   |
| 18  | Upper hose 3.5  | <a href="#">850018</a> | 8,54 €   | 19  | thermostat 350-500SL/SLC, 75°C+o-ring       | <a href="#">720009</a> | 12,64 €  |
| 19  | Rad.hose 3.5-Cpe lower                                | <a href="#">350019</a> | 28,56 €  | 23  | 1m radiator overflow hose                   | <a href="#">350023</a> | 6,13 €   |
| 33  | A0005010065 Drain valve @ radiator lowe               | <a href="#">150018</a> | 190,00 € | 33  | Drain plug screw M14 x 1,5 (rad. / eng,...) | <a href="#">250027</a> | 2,70 €   |
| 34  | Copper seal ring                                      | <a href="#">207115</a> | 0,18 €   | 36  | Seal ring, sump plug                        | <a href="#">299303</a> | 0,13 €   |
| 111 | Rubber ring, radiator to body, W108-115               | <a href="#">850022</a> | 4,06 €   | 111 | A1085000012                                 | <a href="#">850111</a> | 68,75 €  |

## 54c Electric, universal small parts at wiring

54c Electric, universal small parts at wiring



|  |                        |          |  |                        |         |
|--|------------------------|----------|--|------------------------|---------|
| Fuel Sender W123   A1235420404                         | <a href="#">547735</a> | 229,90 € | Brass disc 4mm   | <a href="#">754966</a> | 0,05 €  |
| Benzinpumpen Relais                                    | <a href="#">954047</a> | 101,15 € | Plastic nut, milled, cockpit W108, Lamps 123           | <a href="#">854197</a> | 0,71 €  |
| Milled plastic nut, rr lamp 108/111                    | <a href="#">382855</a> | 3,34 €   | Milled M5 nut, plastic, white                          | <a href="#">282655</a> | 7,04 €  |
| Antenna, manual  | <a href="#">599974</a> | 13,52 €  | Power Antenna, kit with different grommets             | <a href="#">599975</a> | 52,38 € |
| Lambda sond e.g. M102 @ manifold                       | <a href="#">554219</a> | 148,85 € | ground strap 40cm, eyes 8 + 6mm, w.prot hose           | <a href="#">354246</a> | 39,50 € |
| battery terminal screw M8 X28                          | <a href="#">554010</a> | 0,62 €   | Screw for cable connections MS M4 X 8                  | <a href="#">754963</a> | 0,27 €  |
| Screw for cable connections MS M5 X 8                  | <a href="#">754964</a> | 0,37 €   | Screw for cable connections MS M6 X 8                  | <a href="#">754965</a> | 0,59 €  |
| Brass disc 5mm   | <a href="#">754967</a> | 0,16 €   | Ground strap, bonnet 107, 111, 108                     | <a href="#">754888</a> | 29,37 € |
| Brass disc 6mm   | <a href="#">754968</a> | 0,21 €   | Ballast Resistor 0,2 Ohm, Reproduction                 | <a href="#">754868</a> | 31,66 € |
| Ballast Resistor 0,4 Ohm, Reproduction                 | <a href="#">254768</a> | 28,54 €  | Ballast Resistor 0,6 Ohm, Reproduction                 | <a href="#">254767</a> | 26,45 € |
| Ballast Resistor 0,9 Ohm, Reproduction                 | <a href="#">254766</a> | 24,37 €  | Ballast Resistor 1,8 Ohm, Reproduction                 | <a href="#">254708</a> | 24,37 € |
| 4-pole housing (plastic base & cap), no metal bushings | <a href="#">254883</a> | 8,09 €   | 6-pole housing (plastic base & cap), no metal bushings | <a href="#">254180</a> | 8,45 €  |
| 8-pole housing (plastic base & cap), no metal bushings | <a href="#">254181</a> | 8,69 €   | pigtail harness fits emergency switch 982034           | <a href="#">982835</a> | 19,39 € |
| cable / loom tie 190mm                                 | <a href="#">854088</a> | 2,51 €   | switch, ign-lock '62-'67 113...                        | <a href="#">246890</a> | 89,25 € |
| Flex shaft speedo W108/9                               | <a href="#">854105</a> | 32,51 €  | Speedo shaft 1300mm, 109 542 0007 -Repr                | <a href="#">854107</a> | 15,60 € |
| 8-Cyl-4-speed  |                        |          | 2-pole housing (plastic base & cap), no metal bushings | <a href="#">254182</a> | 7,97 €  |
| Screw 4.2 e.g. at 298043                               | <a href="#">299278</a> | 0,38 €   | Rubber cap inner side 15mm                             | <a href="#">215015</a> | 1,46 €  |
| Turn signal transmitter (metal), Bosch                 | <a href="#">182001</a> | 76,90 €  |  |                        |         |

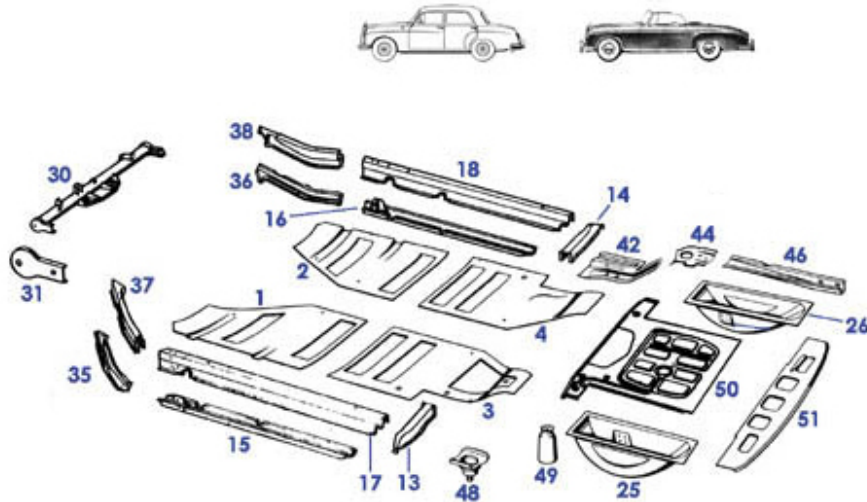
|    |  |                        |          |    |  |                        |          |
|----|--|------------------------|----------|----|--|------------------------|----------|
|    | Milled M5 nut, plastic w insert                          | <a href="#">282855</a> | 3,30 €   | 1  | contact pin 4mm brass silver plated                    | <a href="#">754956</a> | 0,54 €   |
| 1  | El. Pin 2,5mm  | <a href="#">954156</a> | 0,40 €   | 1  | El. Pin 2,5mm  | <a href="#">954154</a> | 0,45 €   |
| 1  | female contact 2,5mm                                     | <a href="#">954153</a> | 0,48 €   | 1  | Sold on sleeve 4mm                                     | <a href="#">254055</a> | 2,69 €   |
| 1  | flat crimp shoe, with nose, female, ... 2,5mm²           | <a href="#">754055</a> | 0,65 €   | 1  | metal pin f. el. connectors                            | <a href="#">754054</a> | 0,77 €   |
| 1  | contact bushing 4mm brass, silver plated                 | <a href="#">254855</a> | 1,40 €   | 2  | N/A solder-on connector. replace with 515999           | <a href="#">215999</a> | 0,27 €   |
| 2  | Wire bushing with treaded pin                            | <a href="#">515999</a> | 2,37 €   | 11 | 25Amp fuse, short version, NOS                         | <a href="#">258991</a> | 5,69 €   |
| 20 | 2 pole terminal  | <a href="#">154052</a> | 44,85 €  | 21 | 5-pole block terminal                                  | <a href="#">154054</a> | 55,16 €  |
| 24 | as long as stock lasts! el. connector (fem) 6-pole, kit, | <a href="#">254984</a> | 27,67 €  | 25 | Set 2-pole-connector (m), narrow style                 | <a href="#">754158</a> | 10,92 €  |
| 25 | part of housg. 2-pole male connector                     | <a href="#">254087</a> | 5,12 €   | 25 | 2-pole-connector, set, (m)                             | <a href="#">954158</a> | 8,93 €   |
| 25 | part of housg, el. conn.                                 | <a href="#">954945</a> | 2,20 €   | 26 | Set 2-pole-connector (fem)                             | <a href="#">954157</a> | 7,74 €   |
| 26 | ignition distributor repair kit                          | <a href="#">907124</a> | 19,59 €  | 26 | el. coupling 2-pole, e.g. injectors                    | <a href="#">907126</a> | 3,53 €   |
| 30 | Relay, start-/ operation current, Repro                  | <a href="#">254095</a> | 67,84 €  | 30 | Rubbermount, relais                                    | <a href="#">254295</a> | 5,25 €   |
| 30 | Upgr. hazzard flasher Hella with wiring                  | <a href="#">982834</a> | 150,78 € | 31 | Pulse genarator, flat connectors, plastic housg, Hella | <a href="#">154018</a> | 40,10 €  |
| 31 | Universal-Relay "flip-flop", not A0005426819             | <a href="#">982345</a> | 62,00 €  | 31 | Relay, idle contr., fuel-pump, 7-pin, 380US '83->      | <a href="#">754305</a> | 73,13 €  |
| 31 | El. relay, 5-pin see pict, div. applications             | <a href="#">754329</a> | 17,85 €  | 31 | Flasher relay, see pict, pin position changed          | <a href="#">254060</a> | 39,91 €  |
| 31 | Relay, flasher, retrofit., plastic knob, Bosch           | <a href="#">982034</a> | 157,15 € | 41 | Cap, starter terminal                                  | <a href="#">154056</a> | 5,71 €   |
| 42 | Rubber Boot on to Thermoswitch                           | <a href="#">254125</a> | 9,39 €   | 43 | Rubber cap, starter wire, small                        | <a href="#">754026</a> | 6,14 €   |
| 43 | Rubber cap, ECU-unit connector                           | <a href="#">854359</a> | 69,91 €  | 43 | Rubber Boot on Starter Motor and Alternator            | <a href="#">254126</a> | 7,16 €   |
| 44 | Grommet for Fuel Pump Wiring                             | <a href="#">299018</a> | 2,53 €   | 44 | Rubber dust boot (at Gen. .)                           | <a href="#">254051</a> | 3,25 €   |
| 51 | Bracket,ign wires,plastic                                | <a href="#">215023</a> | 1,49 €   | 51 | clamp, ca. 25mm, wires                                 | <a href="#">199023</a> | 7,32 €   |
| 51 | Clamp,pipe,under body,rear                               | <a href="#">247053</a> | 7,69 €   | 51 | Clamp, wiring near A-pillar (inn-wdth 3                | <a href="#">254168</a> | 7,54 €   |
| 51 | Clamp, e.g. oil-pipe, wires                              | <a href="#">199025</a> | 4,22 €   | 51 | large clamp, wire harness firewall, ref A1989950037    | <a href="#">854168</a> | 9,10 €   |
| 51 | Clamp, e.g. wiring, inner width 15mm                     | <a href="#">254069</a> | 5,65 €   | 52 | Clip, cable  | <a href="#">254073</a> | 1,09 €   |
| 60 | el. contact switch, door 129, 170, 124, ...              | <a href="#">982021</a> | 4,50 €   | 60 | Trunk(boot) light and switch '59-'85                   | <a href="#">282022</a> | 40,58 €  |
| 60 | Door switch round pin connectors                         | <a href="#">282721</a> | 60,75 €  | 91 | wire strap with rivet plug, short (120mm)              | <a href="#">554087</a> | 1,26 €   |
| 91 | Hose strap, replaces hose clamp                          | <a href="#">250099</a> | 0,55 €   | 91 | wire strap, ref as 001 997 4390                        | <a href="#">754179</a> | 0,65 €   |
| 91 | wire strap with rivet plug, 160mm                        | <a href="#">854087</a> | 1,29 €   | 99 | 1-2-3 distributor 6-cyl ->'62                          | <a href="#">415801</a> | 355,00 € |
| 99 | Plug socket 12V/16A, universal, non-MB, non-Boschl       | <a href="#">554867</a> | 8,83 €   | 99 | Flex shaft speedo W108 Autm late                       | <a href="#">854106</a> | 38,68 €  |
| 99 | Fuse Box e.g. 220/220S Pontoon                           | <a href="#">454220</a> | 594,88 € | 99 | Knob, Design 1968, M5, fits Cigar lighters M5          | <a href="#">254843</a> | 45,99 €  |

## 58 Tools for classic MB veh., non universal

|  |                        |          |   |                        |          |
|--|------------------------|----------|---|------------------------|----------|
| Safety wedge f.tyre service                | <a href="#">258110</a> | 286,20 € | Fuse 5 A long                               | <a href="#">958091</a> | 0,77 €   |
| threaded brake line fitting "F"            | <a href="#">942994</a> | 0,51 €   | Tool: support arm joint mover 129, 124, ... | <a href="#">958350</a> | 124,95 € |
| hook pair for dismounting instrument panel | <a href="#">758054</a> | 58,66 €  | Alignment bolt, steering centering          | <a href="#">258460</a> | 55,54 €  |
| Mounting aid clutch alignment              | <a href="#">258250</a> | 94,00 €  | Mounting aid upper ctr rear mount           | <a href="#">258353</a> | 74,99 €  |
| Tool bag without tools                     | <a href="#">258806</a> | 48,79 €  | Fuse 16 A long                              | <a href="#">958094</a> | 0,89 €   |
| Fuse 5 A long                              | <a href="#">958093</a> | 0,89 €   | Fuse 25 A long                              | <a href="#">958092</a> | 0,60 €   |
| Tool, wiper link shaft greasing            | <a href="#">258826</a> | 65,45 €  | Set 3 pcs tools, fitting MB grooved nut     | <a href="#">258260</a> | 285,60 € |
| Mounting aid front thrust bearing          | <a href="#">258351</a> | 69,02 €  | 1 pce Wing prot.cover, cotton, magnet       | <a href="#">999922</a> | 37,00 €  |
| Staubfrei Handfeger Cotton, 35cm           | <a href="#">999915</a> | 49,99 €  | Tire pressure tester                        | <a href="#">958400</a> | 19,00 €  |
| professional battery charger 10A           | <a href="#">954090</a> | 267,75 € | Battery main switch                         | <a href="#">954088</a> | 26,00 €  |
| 1 pair of tire protection underlay pads    | <a href="#">940900</a> | 52,00 €  | Wheel nut wrench, orig, latest version      | <a href="#">259101</a> | 23,50 €  |
| 25Amp fuse, short version, NOS             | <a href="#">258991</a> | 5,69 €   | Tool for special nut rr axle shafts         | <a href="#">258350</a> | 49,98 €  |



## 61.a Floors1955-1962 "Platform Pontoon"

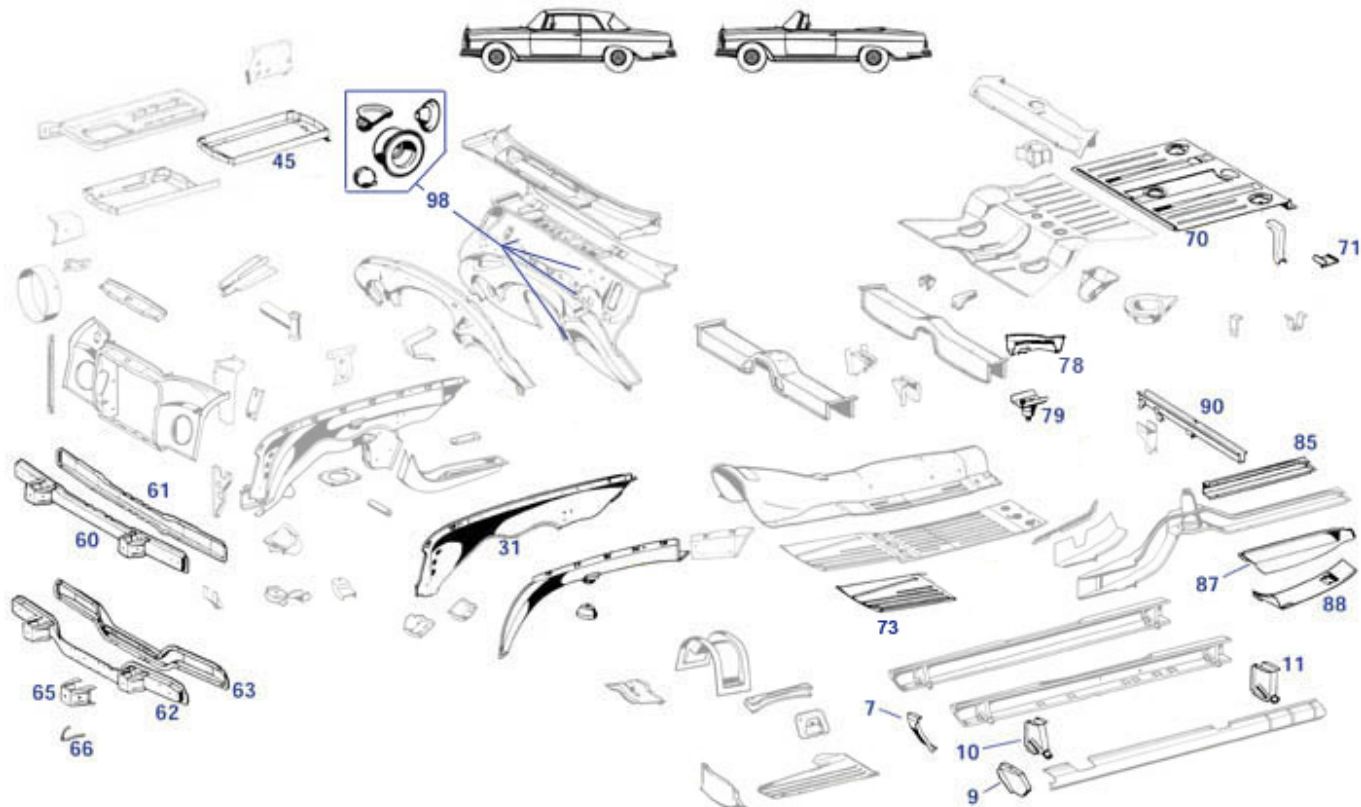


|    |  |                        |            |    |   |                        |          |
|----|--|------------------------|------------|----|---|------------------------|----------|
|    | Set rbr mats rocker panels, grey W120..            | <a href="#">468585</a> | 224,55 €   |    | Floor panel rear, left side                         | <a href="#">461046</a> | 238,00 € |
|    | Falzblech Ponton, rechts unten                     | <a href="#">462080</a> | 483,51 €   |    | threaded plate lower left side                      | <a href="#">462072</a> | 34,12 €  |
|    | Falzblech Ponton, links unten                      | <a href="#">462070</a> | 483,51 €   |    | Rep-Blech Radlauf Ponton vo.li.                     | <a href="#">462045</a> | 296,86 € |
|    | Lufthutze vor Heizkanal rechts                     | <a href="#">462026</a> | 342,83 €   |    | Lufthutze vor Heizkanal links                       | <a href="#">462025</a> | 301,81 € |
|    | Stützblech unter dem Heckbl.innen                  | <a href="#">461215</a> | 576,19 €   |    | Bodenblech Ponton, hinten re.                       | <a href="#">461056</a> | 238,00 € |
| 1  | Floor panel front left W121 & Ponton   A1216160167 | <a href="#">161011</a> | 220,15 €   | 1  | Floor panel, front, Lt.                             | <a href="#">161010</a> | 139,13 € |
| 2  | Floor panel, front, Rt.                            | <a href="#">161020</a> | 139,13 €   | 2  | Floor panel front right W121 & Ponton   A1216160267 | <a href="#">161021</a> | 220,15 € |
| 3  | Floor panel, rear, left. Ponton                    | <a href="#">461045</a> | 243,46 €   | 4  | Floor panel, rear, Rt. pontoon                      | <a href="#">461055</a> | 243,46 € |
| 15 | Längsträger Unterschale li.220S Cpe/Cab            | <a href="#">461111</a> | 1.101,08 € | 15 | Side rail lower shell. 6-cyl-pon.li.                | <a href="#">461110</a> | 398,46 € |
| 15 | Side rail lower shell 4-cyl. Lt.                   | <a href="#">461115</a> | 159,00 €   | 16 | Side rail lower shell 4-cyl. Rt.                    | <a href="#">461125</a> | 159,08 € |
| 16 | Längsträger Unterschale re.220S Cpe/Cab            | <a href="#">461121</a> | 848,17 €   | 16 | Side rail lower shell. 6-cyl-pon,r.                 | <a href="#">461120</a> | 398,46 € |
| 17 | Längsträger Oberschale li. 220S Cpe/Cab            | <a href="#">461171</a> | 1.151,18 € | 17 | Side rail shell, upper left. 6-cyl                  | <a href="#">461175</a> | 344,64 € |
| 18 | Längsträger Oberschale re. 220S Cpe/Cab            | <a href="#">461181</a> | 1.151,18 € | 18 | Side rail Rt. 4-cyl. sedan                          | <a href="#">461180</a> | 244,56 € |
| 18 | Side rail shell, up.Rt. 6-cyl                      | <a href="#">461185</a> | 344,64 €   | 25 | Spare wheel well pontoon Lt.                        | <a href="#">461290</a> | 613,78 € |
| 26 | Spare wheel well pontoon Rt.                       | <a href="#">461300</a> | 613,78 €   | 30 | Cross tube fr. 4-cyl. pontoon                       | <a href="#">461310</a> | 507,30 € |
| 30 | Crosstube, 6-cyl.w.o.radiator support              | <a href="#">461312</a> | 528,60 €   | 31 | see 161311  | <a href="#">461315</a> | 76,16 €  |
| 35 | Rail cap, front. Lt.                               | <a href="#">161070</a> | 175,00 €   | 36 | Rail cap, front. Rt.                                | <a href="#">161080</a> | 175,00 € |
| 37 | Side supp top Lt.                                  | <a href="#">161075</a> | 162,27 €   | 38 | Side supp top Rt.                                   | <a href="#">161085</a> | 162,27 € |
| 42 | Forward 1/3 of item 161155 Rt.                     | <a href="#">161140</a> | 219,50 €   | 42 | Forward 1/3 of item 161145 Lt.                      | <a href="#">161130</a> | 219,50 € |
| 44 | Center section of item 161145 Lt.                  | <a href="#">161135</a> | 179,69 €   | 44 | Center section of item 161155 Rt.                   | <a href="#">161136</a> | 179,69 € |
| 46 | RR frame member RH, lower end section              | <a href="#">161160</a> | 209,04 €   | 46 | RR frame member LH, lower end section               | <a href="#">161150</a> | 209,04 € |
| 48 | Support for rear axle strut                        | <a href="#">161210</a> | 31,89 €    | 49 | Cup for shock absorber mounting                     | <a href="#">161166</a> | 260,90 € |
| 50 | Trunk floor, center section                        | <a href="#">161220</a> | 369,41 €   | 51 | Rear panel, boot                                    | <a href="#">461230</a> | 341,70 € |
| 51 | Cross member trunkfloor,w/o tank bracke            | <a href="#">161400</a> | 283,24 €   | 51 | Querträger hi., Repro mit Tankhalter                | <a href="#">161800</a> | 309,40 € |

# 61/62 W111Cpe/Cab Front and Floor

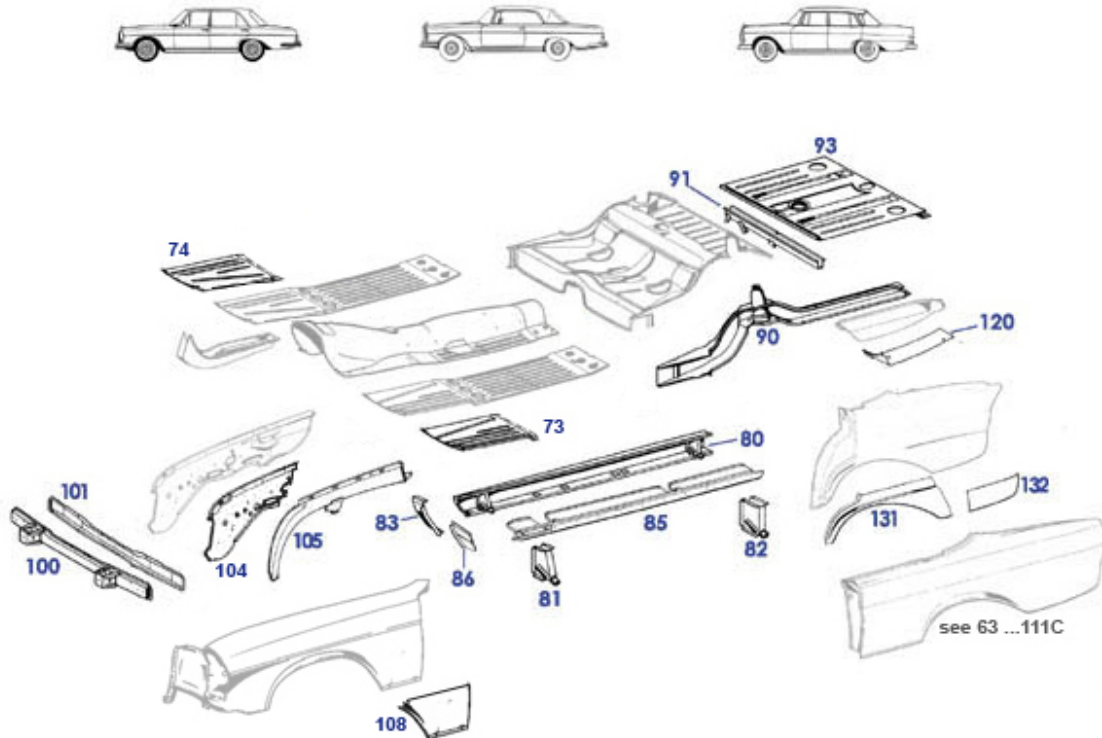
61/62 W111Cpe/Cab Front and Floor

C111: 220SEb/250/280SE/SE3.5 Cpe/Cab



|    |  |                        |          |    |  |                        |          |
|----|--|------------------------|----------|----|--|------------------------|----------|
|    | Rep.-patch lower front rail in wheel arch 111 RH | <a href="#">362121</a> | 39,27 €  |    | Rep.-patch lower front rail in wheel arch 111 LH   | <a href="#">362111</a> | 39,27 €  |
| 2  | Rep section tail, panel W111 2-door              | <a href="#">364105</a> | 471,09 € | 2  | Side rail, Cab., RH, inner                         | <a href="#">361020</a> | 410,00 € |
|    | Side rail, Cab.,inner left                       | <a href="#">361010</a> | 410,00 € | 4  | A1116375235 Side rail C111-112 ot.Rt.              | <a href="#">363020</a> | 754,94 € |
| 4  | A1116375135 Side rail C111-112 ot.Lt.            | <a href="#">363010</a> | 754,94 € | 7  | Cap, inner rail front end, RH, W110-model          | <a href="#">361023</a> | 27,89 €  |
| 7  | Cap, inner rail front end, LH, W110-model        | <a href="#">361013</a> | 27,89 €  | 10 | Jacking point W/C108-112 fr.                       | <a href="#">861015</a> | 34,99 €  |
| 11 | Jacking point W/C108-112 rr.                     | <a href="#">861017</a> | 37,00 €  | 35 | Plate, shocker bracket,upper, ref.-No. A1803260267 | <a href="#">232040</a> | 16,60 €  |
| 39 | steel tube, steering gear mount @ frame          | <a href="#">262131</a> | 14,22 €  | 60 | Frt-member frt shell, W110+111 up to FN            | <a href="#">362020</a> | 339,15 € |
| 61 | Frt-member rr shell W110/111 up to FN            | <a href="#">362030</a> | 155,91 € | 62 | front shell front cross member late                | <a href="#">862020</a> | 365,33 € |
| 63 | Rear shell, front cross member late              | <a href="#">862030</a> | 159,00 € | 65 | Bracket,bumper to cross member front left          | <a href="#">362023</a> | 86,25 €  |
| 65 | Bracket,bumper to cross member frt. RH           | <a href="#">362024</a> | 86,25 €  | 66 | Tow hook, front                                    | <a href="#">362025</a> | 28,92 €  |
| 70 | round cover above fuel sender,Repro              | <a href="#">247814</a> | 5,20 €   | 70 | Cover above fuel sender, plastic,black             | <a href="#">347014</a> | 7,79 €   |
| 70 | A1106160162 Boot floor main panel 108-1          | <a href="#">861000</a> | 599,99 € | 73 | Floor pan front section 108-112 RH                 | <a href="#">361840</a> | 90,44 €  |
| 73 | Floor pan front section 108-112 LH               | <a href="#">361830</a> | 90,44 €  | 78 | Member shell RH above strut mount                  | <a href="#">361160</a> | 178,50 € |
| 78 | Member shell LH above strut mount                | <a href="#">361150</a> | 178,50 € | 79 | Frame mount for rear struts 110-111-108            | <a href="#">335010</a> | 356,99 € |
| 80 | A1106101510 Side rail W/C108,110,111, L          | <a href="#">361090</a> | 799,00 € | 80 | Side rail W/C108,110,111, right                    | <a href="#">361100</a> | 799,00 € |
| 87 | Panel, trunk to rail rr.RH                       | <a href="#">361060</a> | 70,40 €  | 87 | Panel, trunk to rail rr.LH                         | <a href="#">361050</a> | 75,26 €  |
| 88 | Grommet 4/20mm, 1 hole, drain                    | <a href="#">399009</a> | 1,71 €   | 88 | Bottom, spare tyre wel, left                       | <a href="#">363050</a> | 84,00 €  |
| 88 | Bottom, spare tyre well, right                   | <a href="#">363060</a> | 92,65 €  | 90 | Crossmember w.tank-supp,no exhsupport              | <a href="#">361110</a> | 125,00 € |

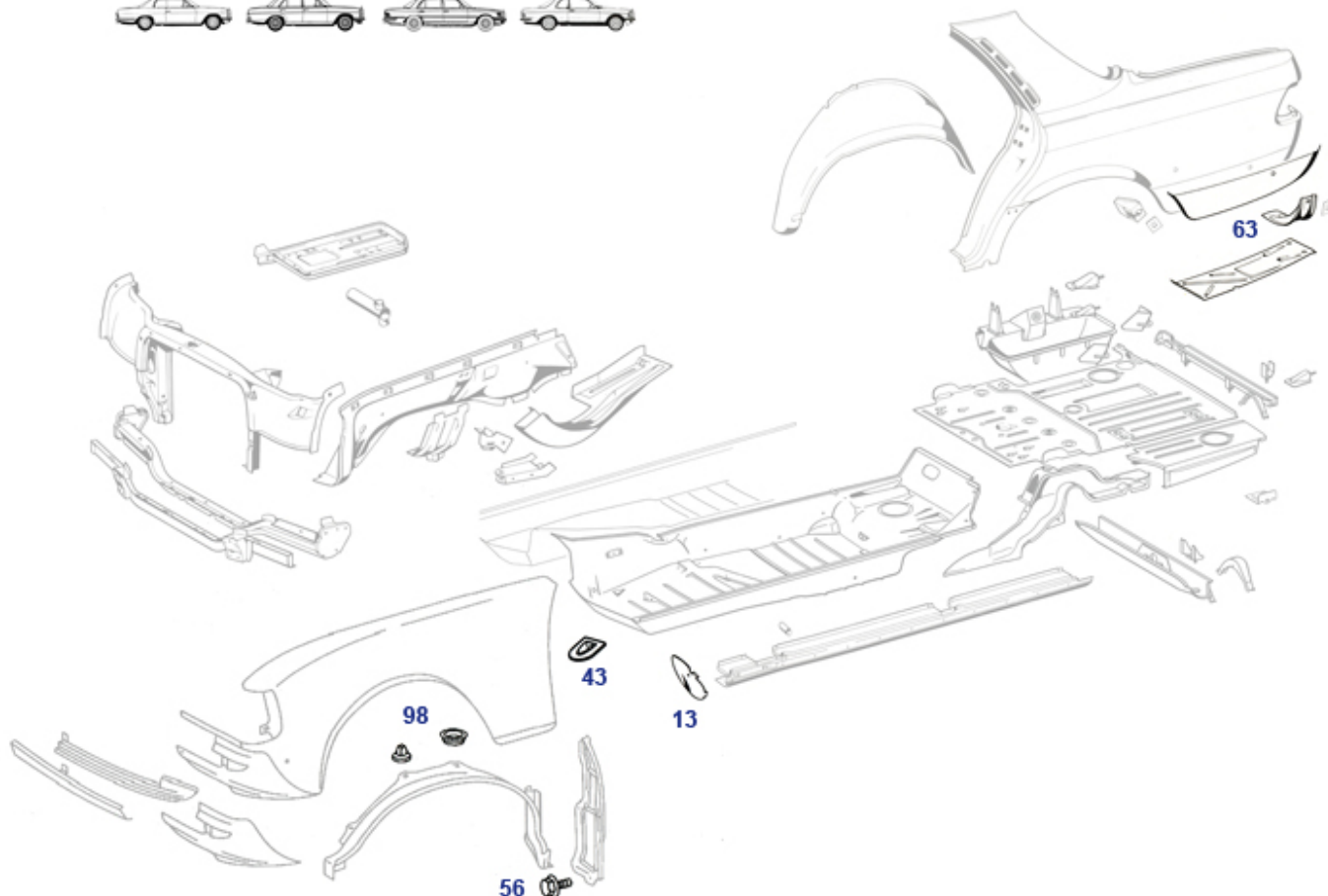
## 61.b Floors and Rep-Panels 1959-1972 "Platform 110"



|     |  |                        |          |     |  |                        |          |
|-----|--|------------------------|----------|-----|--|------------------------|----------|
|     | A1106370136 Blanking plate W110-2 side           | <a href="#">363018</a> | 17,85 €  |     | A1106370236 Blanking plate W110-2 side             | <a href="#">363028</a> | 17,85 €  |
| 73  | Floor pan front section 108-112 LH               | <a href="#">361830</a> | 90,44 €  | 74  | Floor pan front section 108-112 RH                 | <a href="#">361840</a> | 90,44 €  |
| 80  | Side rail, Cab.,inner left                       | <a href="#">361010</a> | 410,00 € | 80  | Side rail, Cab., RH, inner                         | <a href="#">361020</a> | 410,00 € |
| 81  | Jacking point W/C108-112 fr.                     | <a href="#">861015</a> | 34,99 €  | 82  | Jacking point W/C108-112 rr.                       | <a href="#">861017</a> | 37,00 €  |
| 83  | Cap, inner rail front end, LH, W110-model        | <a href="#">361013</a> | 27,89 €  | 83  | Cap, inner rail front end, RH, W110-model          | <a href="#">361023</a> | 27,89 €  |
| 86  | Front end cap, outer rail RH, W108/9             | <a href="#">863028</a> | 24,99 €  | 86  | Front end cap, outer rail LH, W108/9               | <a href="#">863018</a> | 24,99 €  |
| 90  | A1106101510 Side rail W/C108,110,111, L          | <a href="#">361090</a> | 799,00 € | 91  | Crossmember w.tank-supp,no exh-support             | <a href="#">361110</a> | 125,00 € |
| 93  | Cover above fuel sender, plastic,black           | <a href="#">347014</a> | 7,79 €   | 93  | round cover above fuel sender,Repro                | <a href="#">247814</a> | 5,20 €   |
| 93  | A1106160162 Boot floor main panel 108-1          | <a href="#">861000</a> | 599,99 € | 100 | Frnt-member frt shell, W110+111 up to FN           | <a href="#">362020</a> | 339,15 € |
| 100 | front shell front cross member late              | <a href="#">862020</a> | 365,33 € | 101 | Frnt-member rr shell W110/111 up to FN             | <a href="#">362030</a> | 155,91 € |
| 101 | Rear shell, front cross member late              | <a href="#">862030</a> | 159,00 € | 104 | Rep.-sect. inner wing frt LH W110                  | <a href="#">362141</a> | 234,58 € |
| 104 | Rep.-sect. inner wing frt LH W110                | <a href="#">362131</a> | 234,58 € | 105 | Patch, inner wing support W110, front left         | <a href="#">362113</a> | 79,99 €  |
| 105 | Inner wing support, W111-4-door, fr.Lt.          | <a href="#">362112</a> | 110,31 € | 105 | Rep.-patch lower front rail in wheel arch 111 RH   | <a href="#">362121</a> | 39,27 €  |
| 105 | Rep.-patch lower front rail in wheel arch 111 LH | <a href="#">362111</a> | 39,27 €  | 105 | Patch, inner wing support W110, front right        | <a href="#">362123</a> | 79,99 €  |
| 105 | Inner wing support, W111-4-door, fr.Rt.          | <a href="#">362122</a> | 110,31 € | 108 | Rep.-panel frt wing RH, rear section, W108+9       | <a href="#">888023</a> | 53,55 €  |
| 108 | Rep.-panel frt wing LH, rear section, W108+9     | <a href="#">888013</a> | 53,55 €  | 120 | Panel, trunk to rail rr.LH                         | <a href="#">361050</a> | 75,26 €  |
| 120 | Bottom, spare tyre well, right                   | <a href="#">363060</a> | 92,65 €  | 120 | Stiffening RH, trunk floor to panel and bumper 108 | <a href="#">861081</a> | 46,41 €  |
| 120 | Floor section, spare tyre well 108 (trunk RH)    | <a href="#">861080</a> | 98,59 €  | 120 | Stiffening LH, trunk floor to panel and bumper 108 | <a href="#">861071</a> | 46,41 €  |
| 120 | Floor panel, s.tyre wl.108/9 Rt.                 | <a href="#">861070</a> | 125,25 € | 120 | Bottom, spare tyre wel, left                       | <a href="#">363050</a> | 84,00 €  |
| 120 | Grommet 4/20mm, 1 hole, drain                    | <a href="#">399009</a> | 1,71 €   | 131 | Patch panel W110-112 rear Lt.                      | <a href="#">363076</a> | 71,69 €  |
| 131 | Patch panel outer wheel arch 108                 | <a href="#">863073</a> | 95,97 €  | 131 | Patch panel outer wheelarch RH                     | <a href="#">863083</a> | 95,97 €  |

|     |                                       |                        |          |     |  |                        |          |
|-----|---------------------------------------|------------------------|----------|-----|--|------------------------|----------|
|     | LH                                    |                        |          |     | W108 rea                                       |                        |          |
| 131 | Patch panel W110-112 rear Rt.         | <a href="#">363086</a> | 73,54 €  | 131 | wheel housing repair panel rear left           | <a href="#">363875</a> | 117,20 € |
| 131 | wheel housing repair panel rear right | <a href="#">363885</a> | 117,20 € | 132 | Patch, rear wing lower ends RH, 110/112 4-door | <a href="#">363089</a> | 40,46 €  |

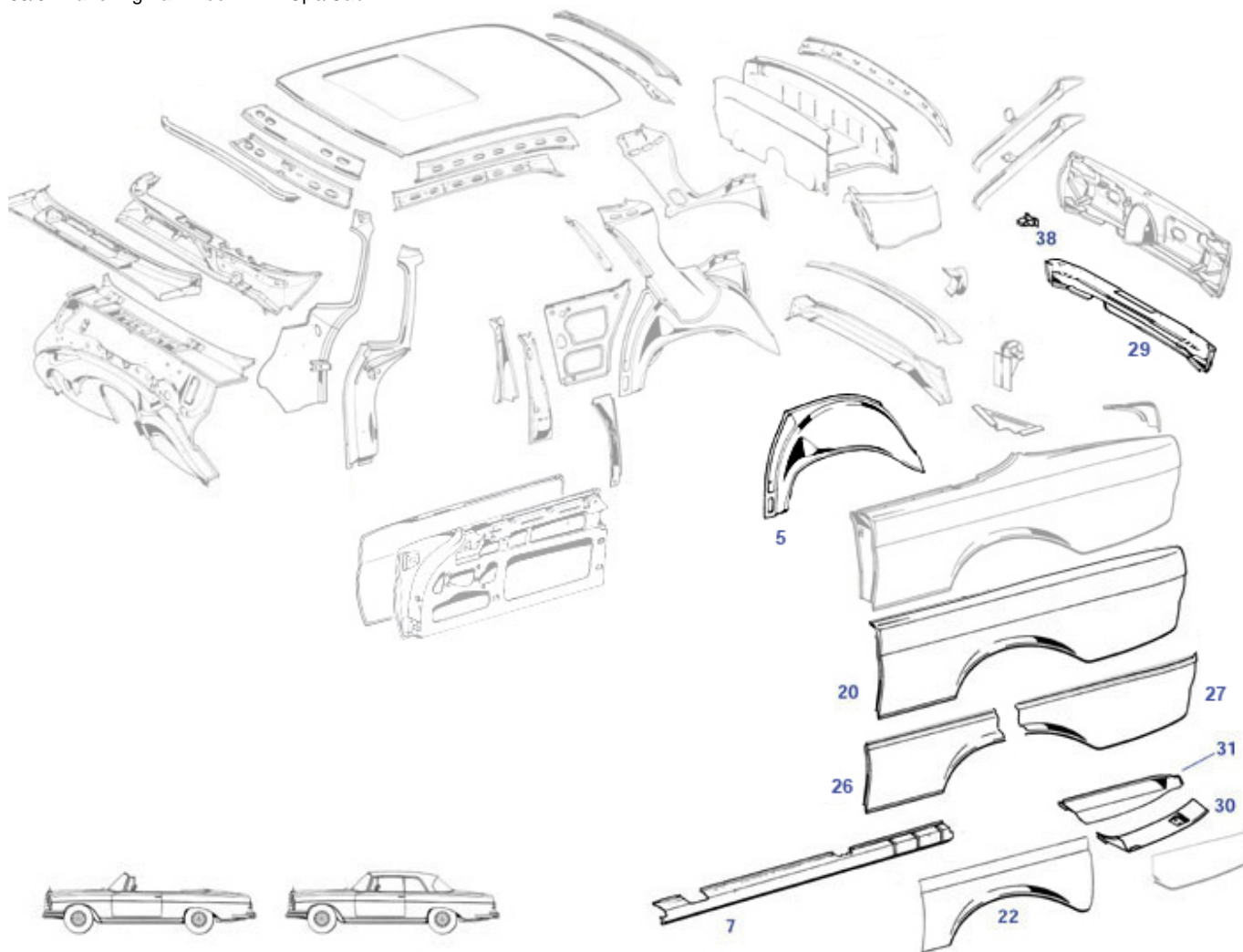
## 61.c Floors- and Body Rep.-Panelling Types from Platform 114



|        |  |                        |          |        |  |                        |          |
|--------|--|------------------------|----------|--------|--|------------------------|----------|
| 13     | cap, rail front end RH, W114/W115              | <a href="#">563028</a> | 20,23 €  | 13     | cap, rail front end LH, W114/W115        | <a href="#">563018</a> | 20,23 €  |
| 43     | pan, brake wire support at floor, 114/115      | <a href="#">561035</a> | 19,04 €  | 63     | stiffening floor to side panel W116/W123 | <a href="#">563023</a> | 71,40 €  |
| 98     | Plug rivet for square hole eg, lower rad.cover | <a href="#">788991</a> | 1,32 €   | 561010 | Rep.-Bodenblech 200-280CE, li.           | <a href="#">561011</a> | 77,35 €  |
| 561010 | Rep.-Bodenblech vo. 200-280CE links            | <a href="#">561012</a> | 62,48 €  | 561010 | Rep.-Bodenblech 200-280CE, re.           | <a href="#">561021</a> | 77,35 €  |
| 561010 | Rep.-Bodenblech vo. 200-280CE rechts           | <a href="#">561022</a> | 62,48 €  | 561016 | Rep.-Längsträger außen links             | <a href="#">563016</a> | 101,15 € |
| 561016 | Rep.-Längsträger außen rechts                  | <a href="#">563026</a> | 101,15 € | 561093 | Rep-section inner rail rear LH W123      | <a href="#">561093</a> | 35,43 €  |
| 561093 | Rep-section inner rail rear LH W123            | <a href="#">561103</a> | 35,43 €  | 563051 | Patch panel wheel house LH W115          | <a href="#">563051</a> | 35,76 €  |
| 563051 | Patch panel wheel house RH W115                | <a href="#">563061</a> | 35,76 €  | 563073 | Dec. strip set, whl. arch W114/115       | <a href="#">564000</a> | 133,52 € |

## 63/64 Panelling Tail+Roof W111Cpe/Cab

63/64 Panelling Tail+Roof W111Cpe/Cab

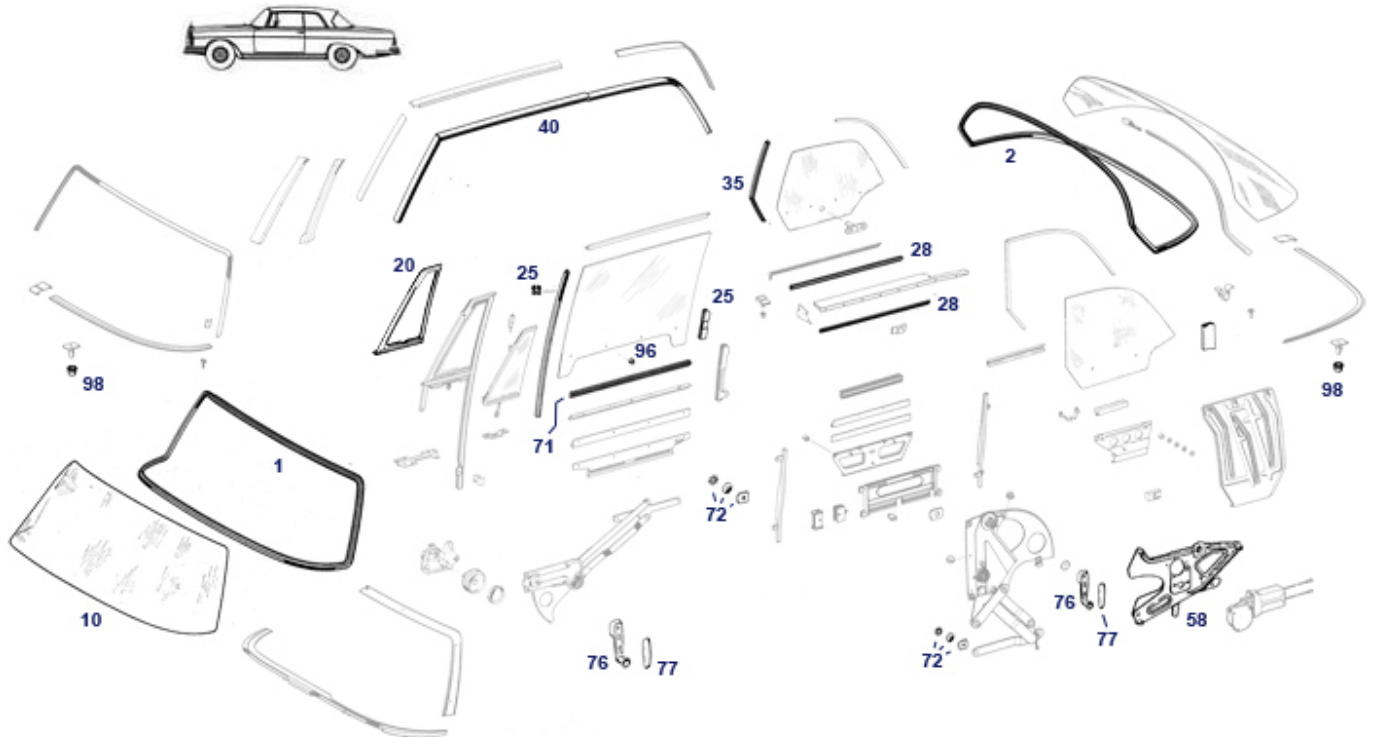


|    |   |                        |          |    |   |                        |          |
|----|---|------------------------|----------|----|---|------------------------|----------|
|    | brush L or R sunroof                          | <a href="#">878720</a> | 8,97 €   |    | unchromed trim left behind softtop            | <a href="#">369021</a> | 606,90 € |
|    | unchromed trim middle behind softtop          | <a href="#">369023</a> | 606,90 € |    | unchromed trim right behind softtop           | <a href="#">369022</a> | 606,90 € |
|    | Chrome trim                                   | <a href="#">377100</a> | 204,29 € | 5  | Outer wheel arch, Cab/Cpe, RH, Repro          | <a href="#">364063</a> | 490,15 € |
| 5  | Outer wheel arch, Cab/Cpe, LH, Repro          | <a href="#">364053</a> | 490,15 € | 7  | A1116375235 Side rail C111-112 ot.Rt.         | <a href="#">363020</a> | 754,94 € |
| 7  | A1116375135 Side rail C111-112 ot.Lt.         | <a href="#">363010</a> | 754,94 € | 20 | Rep-panel wing rr.LH 80% 111 2-door           | <a href="#">363074</a> | 790,81 € |
| 20 | Rep.panel wing rr.RH 80% 111 2-door           | <a href="#">363084</a> | 790,81 € | 20 | Cardbox for large spareparts, 170x60x80cm     | <a href="#">967993</a> | 25,82 €  |
| 22 | Patch panel outer wheel arch 108 LH           | <a href="#">863073</a> | 95,97 €  | 22 | Patch panel C111/112 rear left                | <a href="#">363073</a> | 82,74 €  |
| 22 | Patch panel C111/112 rear Rt.                 | <a href="#">363083</a> | 82,74 €  | 22 | Patch panel outer wheelarch RH W108 rea       | <a href="#">863083</a> | 95,97 €  |
| 26 | Rep.panel wing rr.RH, frt section, 111 2-door | <a href="#">363082</a> | 458,46 € | 26 | Rep.panel wing rr.LH, frt section, 111 2-door | <a href="#">363072</a> | 458,46 € |
| 27 | Rep.panel wing rr.LH, rr section, 111 2-door  | <a href="#">363078</a> | 458,46 € | 27 | Rep.panel wing rr.RH, rr section, 111 2-door  | <a href="#">363088</a> | 458,46 € |
| 29 | Rep section tail, panel W111 2-door           | <a href="#">364105</a> | 471,09 € | 30 | Bottom, spare tyre wel, left                  | <a href="#">363050</a> | 84,00 €  |
| 30 | Bottom, spare tyre well, right                | <a href="#">363060</a> | 92,65 €  | 30 | Grommet 4/20mm, 1 hole, drain                 | <a href="#">399009</a> | 1,71 €   |
| 31 | Panel, trunk to rail rr.LH                    | <a href="#">361050</a> | 75,26 €  | 31 | Panel, trunk to rail rr.RH                    | <a href="#">361060</a> | 70,40 €  |
| 38 | Lug wrench holder                             | <a href="#">164041</a> | 15,33 €  | 40 | Stow position hook W111-Cab, right            | <a href="#">377044</a> | 395,96 € |
| 40 | Stow position hook W111-Cab, left             | <a href="#">377033</a> | 395,96 € | 67 | Window regulator for E-motor, rear RH 111Cpe  | <a href="#">367380</a> | 380,10 € |
| 67 | Window regulator for E-motor, rear            | <a href="#">367370</a> | 377,62 € | 82 | Foam shim, wiper motor to firewall            | <a href="#">382248</a> | 10,95 €  |



## 67.d Window and seal W111-2-door

67.d Window and seal W111-2-door

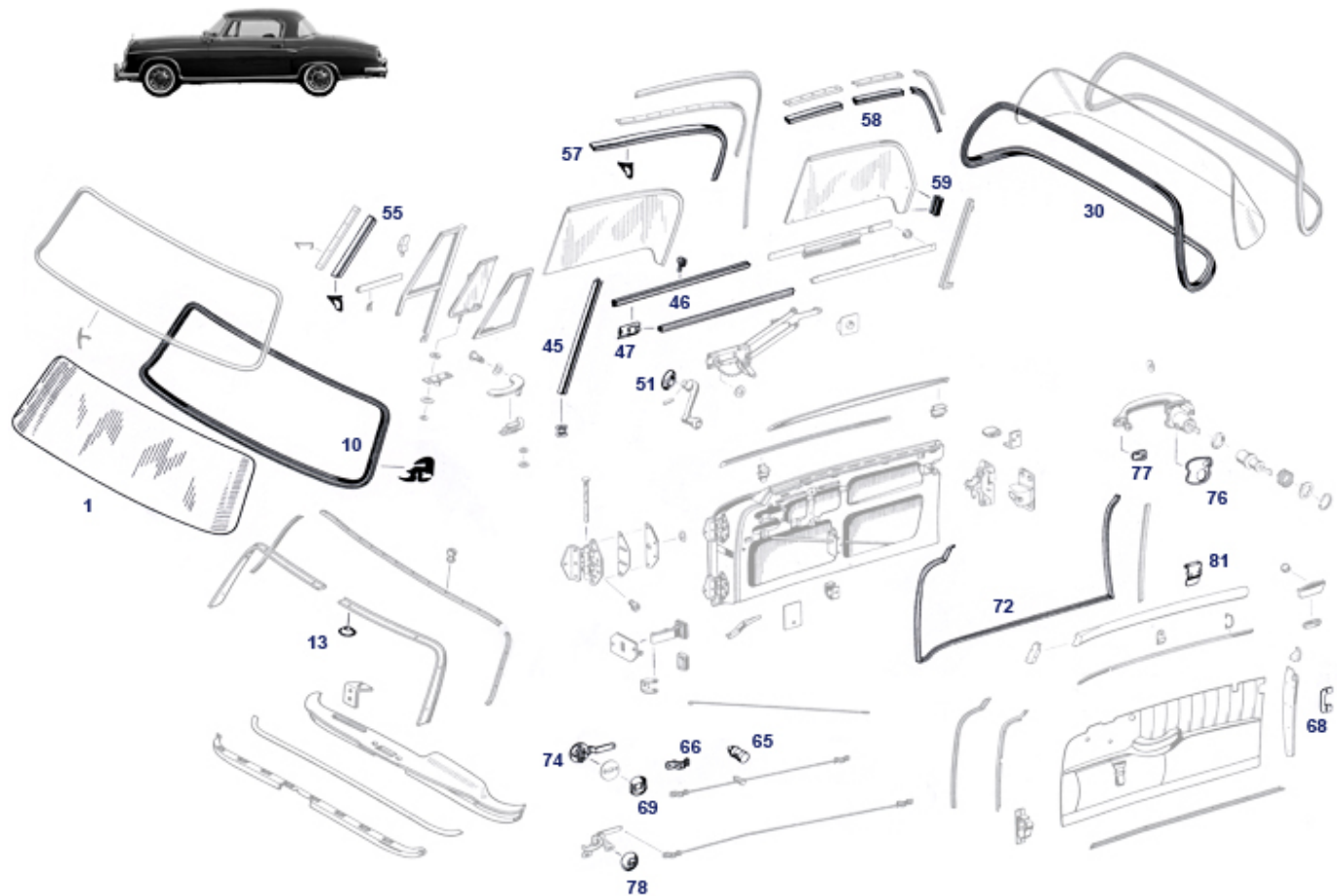


|    |  |                        |            |    |   |                        |          |
|----|--|------------------------|------------|----|---|------------------------|----------|
|    | Bolt, flat head, garnish trim below WS, 2x req     | <a href="#">367117</a> | 13,35 €    |    | 1m rbr profile, glass framing                         | <a href="#">367055</a> | 14,28 €  |
| 1  | main body seal kit W111-2, Cpe, OE-quality         | <a href="#">372600</a> | 1.191,14 € | 1  | W/s gasket, W111-2: cpe/cab, OE-quality               | <a href="#">367000</a> | 139,99 € |
| 2  | Rubber seal rr window W111 Cpe                     | <a href="#">367030</a> | 134,95 €   | 10 | W/S glasstransp. incl. box(Germany)                   | <a href="#">967999</a> | 121,25 € |
| 10 | A1116715310  | <a href="#">367010</a> | 513,50 €   | 10 | Windscreen 111 Cpe/Cab tinted                         | <a href="#">367012</a> | 345,10 € |
| 10 | A1116715210  | <a href="#">367013</a> | 740,99 €   | 20 | Triangle. window. gasket. C111/2 left                 | <a href="#">372130</a> | 178,50 € |
| 20 | Triangle window gasket C111/2 right                | <a href="#">372230</a> | 178,50 €   | 25 | window slide rail, 2m                                 | <a href="#">372525</a> | 49,98 €  |
| 35 | Seal, coupe-window frt rail, 111,114               | <a href="#">367255</a> | 42,08 €    | 40 | Side wind. seal W111 coupe Rt.                        | <a href="#">372211</a> | 102,99 € |
| 40 | Abdichtgummi W111 Cabrio, right                    | <a href="#">372215</a> | 83,90 €    | 40 | Seal W111 Cabrio, left                                | <a href="#">372210</a> | 83,90 €  |
| 40 | Side wind. seal W111 coupe Lt.                     | <a href="#">372216</a> | 102,99 €   | 58 | Window regulator for E-motor, rear RH 111Cpe          | <a href="#">367380</a> | 380,10 € |
| 58 | Window regulator for E-motor, rear LH 111Cpe       | <a href="#">367370</a> | 377,62 €   | 62 | side window seal rear left                            | <a href="#">367053</a> | 63,49 €  |
| 62 | side window seal rear right                        | <a href="#">367052</a> | 63,49 €    | 63 | Halteschiene, Seitenfenster hi                        | <a href="#">367508</a> | 12,05 €  |
| 64 | Clip, eg door covering                             | <a href="#">772229</a> | 1,23 €     | 69 | Rivet, rear window drip strips                        | <a href="#">270691</a> | 0,20 €   |
| 71 | 1m brush profile? Window Scraper Seal - 1157250965 | <a href="#">872500</a> | 21,19 €    | 72 | Washer Kit for Mounting Window Regulator - 1237200114 | <a href="#">272752</a> | 10,88 €  |
| 76 | Window crank handle 63-70 replacemt                | <a href="#">276001</a> | 133,64 €   | 77 | Crank Pad 06.63->01.70 black                          | <a href="#">276090</a> | 17,49 €  |
| 96 | Rubber sleeve for door glass                       | <a href="#">272075</a> | 2,50 €     | 96 | 1m hose 1/4" x 1,5 e.g glass mount                    | <a href="#">272875</a> | 1,82 €   |
| 97 | Rubber buffer 5mm,121,113,10                       | <a href="#">298066</a> | 0,89 €     | 98 | Clip, moulder below windscr                           | <a href="#">367098</a> | 0,71 €   |



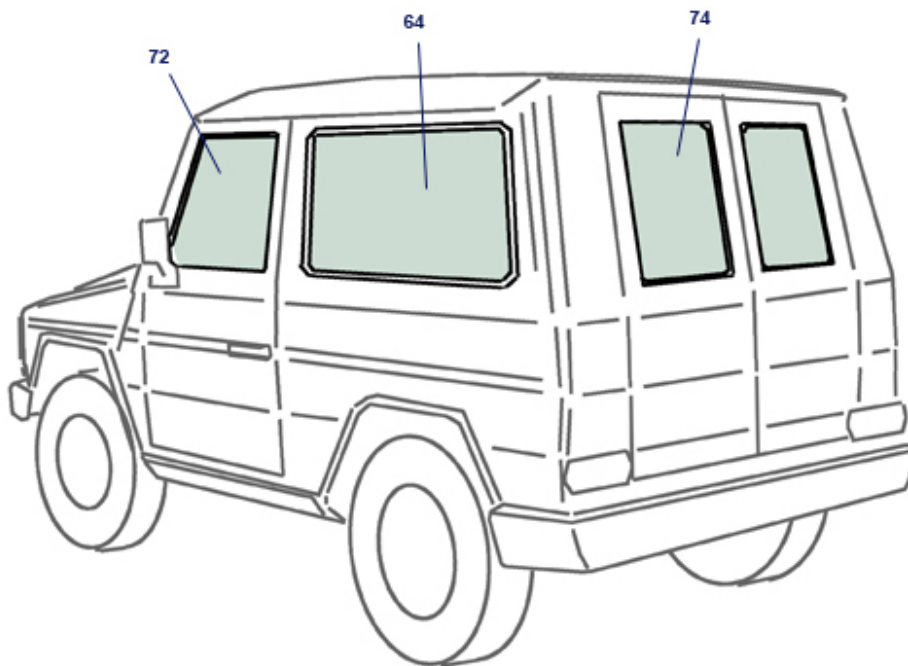
## 67.c Windows and Door Ponton Cpe/Cab

67.c Windows and Door Ponton Cpe/Cab



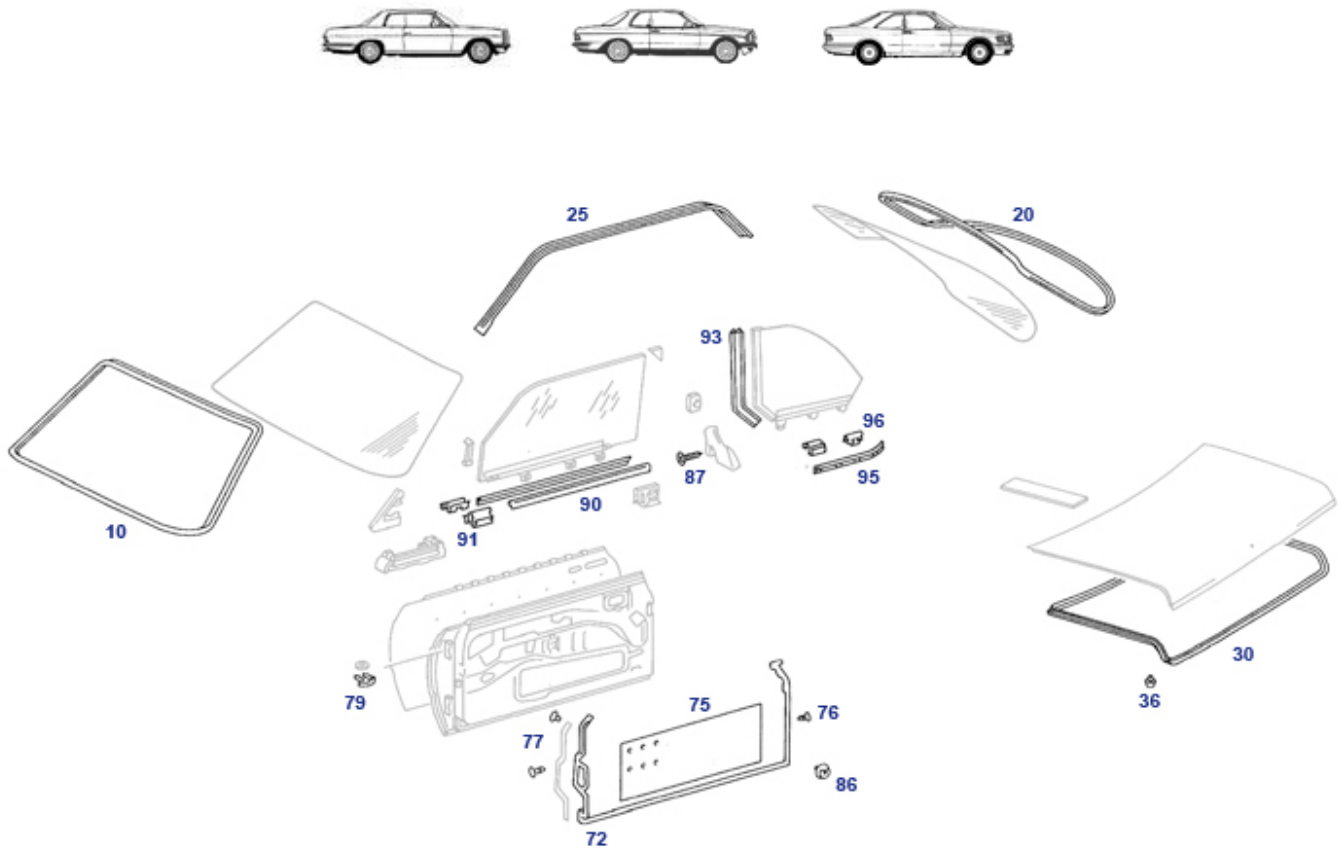
|    |  |                        |          |         |  |                        |          |
|----|--|------------------------|----------|---------|--|------------------------|----------|
|    | Rubber rod guide 190SL, R113, 111Cpe/Cab | <a href="#">298705</a> | 5,95 €   |         | door stop RH assy see pict                         | <a href="#">172884</a> | 310,00 € |
|    | Clip, dec. strip Ponton                  | <a href="#">472115</a> | 2,49 €   | 1       | W/S glastransp. incl. box(Germany)                 | <a href="#">967999</a> | 121,25 € |
| 1  | Windscreen 220S Cpe/Cab clear            | <a href="#">467001</a> | 345,10 € | 10      | W/S seal, 220S/SE con/cpe                          | <a href="#">467000</a> | 159,40 € |
| 13 | countersunk washer / screw escutcheon    | <a href="#">373113</a> | 0,70 €   | 13      | Screw countersunk, 3,9 x 22                        | <a href="#">999994</a> | 2,28 €   |
| 13 | Screw, countersunk, 3,5 door-chr.        | <a href="#">799927</a> | 1,14 €   | 30      | Rear window seal pontoon coupe                     | <a href="#">467030</a> | 158,57 € |
| 45 | window slide rail, 2m                    | <a href="#">372525</a> | 49,98 €  | 46      | 1m brush profile? Window Scraper Seal - 1157250965 | <a href="#">872500</a> | 21,19 €  |
| 51 | Escutcheon assembly, with spring         | <a href="#">176002</a> | 67,50 €  | 55..uni | Universal rbr seal 1m, side windows 2-Door Pontoon | <a href="#">472703</a> | 41,65 €  |
| 59 | Guide jaw Pontoon Cpe/Cab                | <a href="#">472033</a> | 23,21 €  | 65      | Rubber rod guide 190SL, R113, 111Cpe/Cab           | <a href="#">298005</a> | 5,55 €   |
| 66 | clips for door actuator link wires       | <a href="#">198004</a> | 27,04 €  | 68      | Covering, locks years '60-'61                      | <a href="#">472029</a> | 59,00 €  |
| 69 | Door lock escutcheon plate               | <a href="#">176066</a> | 78,53 €  | 72      | Door seal, Pontoon cab/cpe. RH                     | <a href="#">472200</a> | 189,21 € |
| 72 | Door seal, Pontoon cab/cpe. LH           | <a href="#">472100</a> | 189,21 € | 74      | Chrome handle for int.locking repair               | <a href="#">172195</a> | 59,99 €  |
| 74 | Locking handle assy. inner door ->'67 R  | <a href="#">172194</a> | 109,78 € | 74      | Locking handle assy, inner door ->'67 L            | <a href="#">172193</a> | 109,78 € |
| 76 | Door handle seal, left                   | <a href="#">472013</a> | 5,70 €   | 76      | Door handle seal, Rt.                              | <a href="#">472012</a> | 5,70 €   |
| 77 | Door handle seal, Ponton left/right      | <a href="#">472011</a> | 4,19 €   | 78      | Escutcheon, inner door handle                      | <a href="#">176055</a> | 8,39 €   |

## 67.g Window glass, G-models



|    |   |                          |          |    |   |                          |          |
|----|---|--------------------------|----------|----|---|--------------------------|----------|
| 64 | glass, right, green (station compartment),5/6-door cars | <a href="#">G4676110</a> | 109,48 € | 64 | glass, right, green (station compartment),5/6-door cars | <a href="#">G4676120</a> | 109,48 € |
| 64 | glass, right, green (station compartment),3/4-door cars | <a href="#">G4676111</a> | 109,48 € | 64 | glass, left, green (station compartment),3/4-door cars  | <a href="#">G4676121</a> | 109,48 € |
| 72 | door glass, front left, green                           | <a href="#">G4672110</a> | 95,20 €  | 72 | door glass, front right, green                          | <a href="#">G4672120</a> | 95,20 €  |
| 74 | rear door glass, left, green                            | <a href="#">G4673110</a> | 71,40 €  | 74 | rear door glass, right, green                           | <a href="#">G4673120</a> | 71,40 €  |

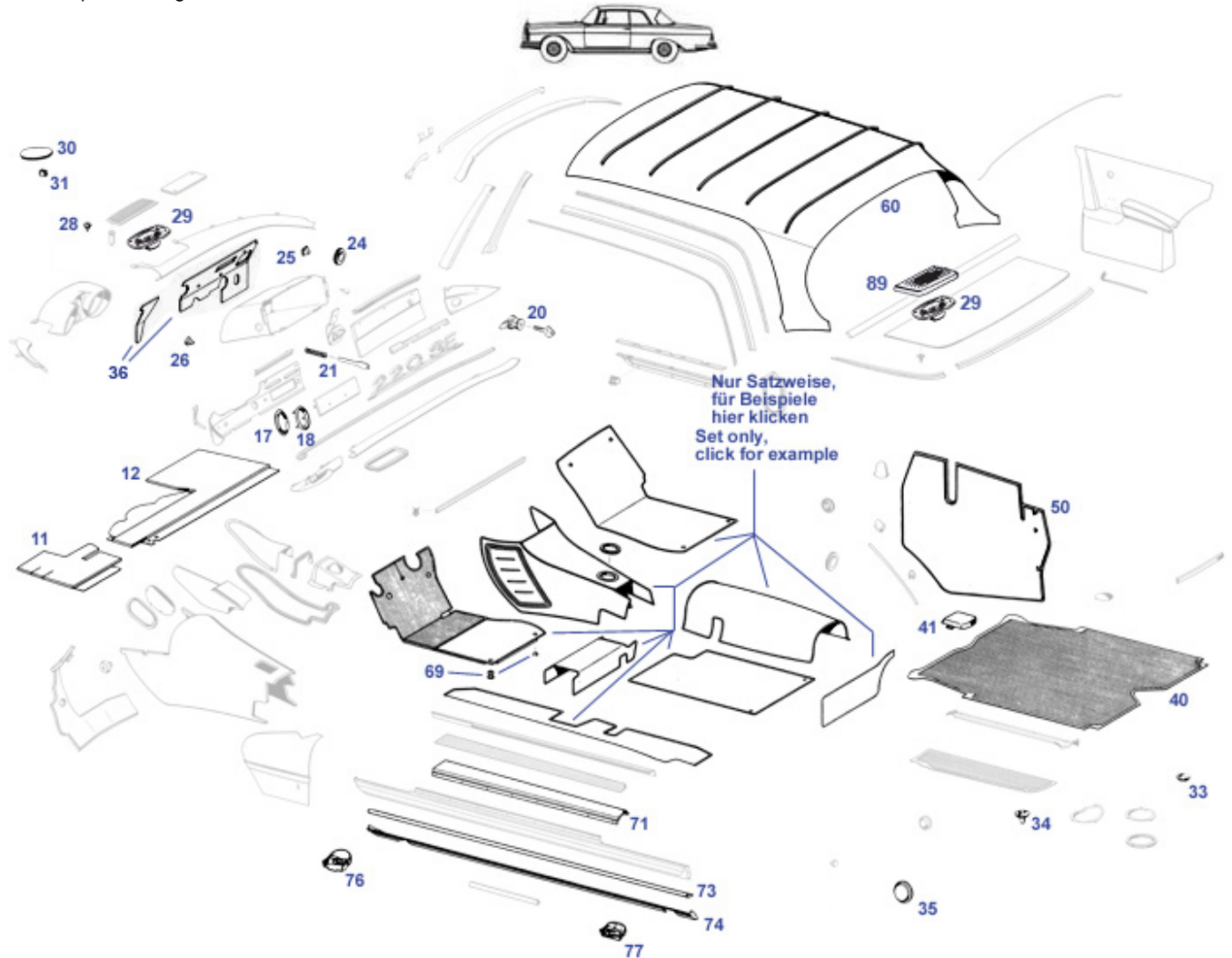
## 67, 72, 75 Weatherstrips Coupe 114, 123, ..



|       |  |                        |          |       |   |                        |          |
|-------|--|------------------------|----------|-------|---|------------------------|----------|
| b-pil | A1157270431 Gkt., B-pillar C114 Rt.                | <a href="#">572282</a> | 39,50 €  | b-pil | A1157270331 Gkt., B-pillar C114 Lt.                             | <a href="#">572182</a> | 39,50 €  |
| 10    | Rubber seal windscreen W123 Coupe                  | <a href="#">567123</a> | 98,00 €  | 10    | W/s gasket, W114 cup  | <a href="#">567000</a> | 116,62 € |
| 20    | R/w gasket, W114 cup.                              | <a href="#">567030</a> | 110,00 € | 20    | Rubber seal rear window W123 Coupe                              | <a href="#">567130</a> | 124,95 € |
| 25    | Gkt. u. side window, Left                          | <a href="#">572215</a> | 89,25 €  | 25    | Gkt. u. side window, Rt.  | <a href="#">572210</a> | 89,25 €  |
| 30    | Boot seal W114 cpe (2-door), Repro                 | <a href="#">575020</a> | 64,39 €  | 36    | Buffer, conical shape, boot lid div.                            | <a href="#">398043</a> | 1,65 €   |
| 72    | Door seal C114 cpe, Lt.                            | <a href="#">572100</a> | 136,85 € | 72    | Door seal C114 cpe, Rt.   | <a href="#">572200</a> | 136,85 € |
| 72    | Door seal, C123 LH                                 | <a href="#">572123</a> | 110,00 € | 72    | Door seal C123 RH   | <a href="#">572223</a> | 110,00 € |
| 75    | Insulation, adhesive, at door skin inside R/C107   | <a href="#">772168</a> | 49,99 €  | 75    | A1686820308 Sound damper, door skin                             | <a href="#">772068</a> | 17,26 €  |
| 76    | Clip, door seal, rear                              | <a href="#">772158</a> | 0,60 €   | 77    | Stopper for seal  | <a href="#">772159</a> | 0,40 €   |
| 79    | Locking clips, door catch bolt                     | <a href="#">772118</a> | 0,73 €   | 86    | Clip, eg door covering  | <a href="#">772229</a> | 1,23 €   |
| 86    | Clip on door trim (16x veh.)                       | <a href="#">772228</a> | 0,48 €   | 87    | screw countersunk PH 2,9x13 stainless                           | <a href="#">769179</a> | 0,24 €   |
| 91    | Clip inner brush, late (from ca. 11.1982)          | <a href="#">773804</a> | 3,00 €   | 91    | Clip, fits new style brush, black                               | <a href="#">772508</a> | 2,50 €   |
| 93    | Seal, coupe-window frt rail, 111,114               | <a href="#">367255</a> | 42,08 €  | 93    | 1m rbr profile, glass framing                                   | <a href="#">367055</a> | 14,28 €  |
| 95    | 1m brush profile? Window Scraper Seal - 1157250965 | <a href="#">872500</a> | 21,19 €  | 96    | clip , bush strip W108, W109, W114, W115, outer                 | <a href="#">572502</a> | 2,34 €   |
| 96    | Clip, brush strip, inner @ coupe-window            | <a href="#">772504</a> | 3,09 €   | 96    | Clip, window brush W110,111,112                                 | <a href="#">372502</a> | 3,57 €   |
| 167   | Frontscheibe W114 Coupe, klar                      | <a href="#">567010</a> | 350,99 € | 167   | W/S-Scheibe 250-280CE, color neoprene 6mm, self-adhesive, 1/sqm | <a href="#">567011</a> | 455,00 € |
| 167   | A1156710710  | <a href="#">567012</a> | 513,50 € | 175   |   | <a href="#">968035</a> | 31,50 €  |

# 68 111Cpe Covering Interior, Insulation

68 111Cpe Covering Interior, Insulation

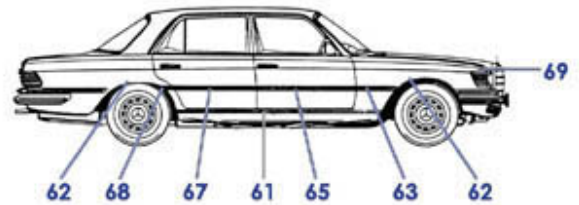
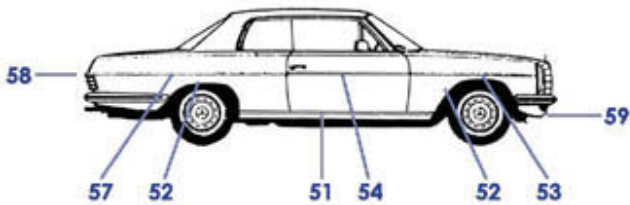
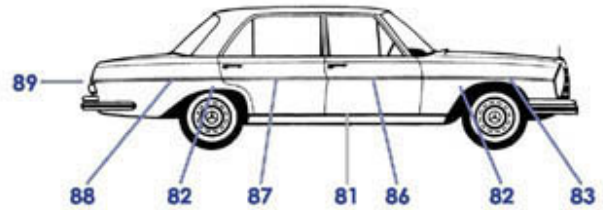
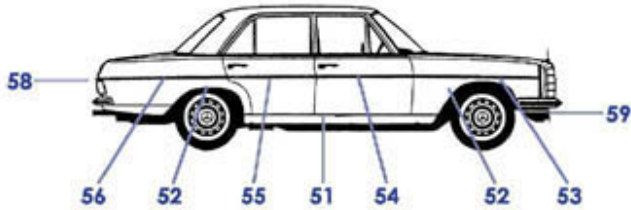
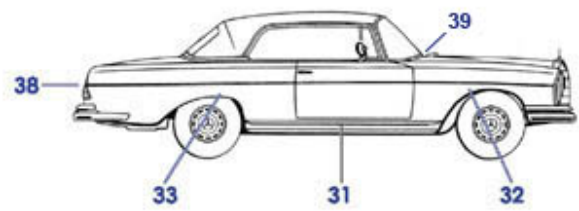
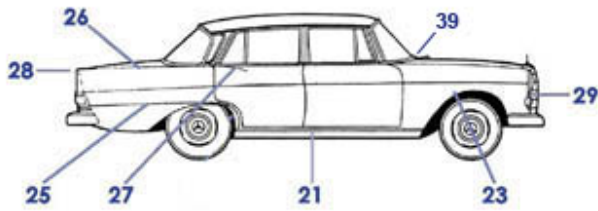


|         |  |                        |          |  |  |                        |          |
|---------|--|------------------------|----------|--|--|------------------------|----------|
| speaker | Speaker, W111 footwell, if "Stereo"          | <a href="#">368215</a> | 245,01 € | knob, plastic base, carpet fixture     | <a href="#">798006</a>                         | 3,19 €                 |          |
| tero    | 1sqm mat, Terodem SP300 self adhesive        | <a href="#">968170</a> | 75,45 €  | Teppichsatz 111 Cpe Schlinge anthrazit | <a href="#">393272</a>                         | 385,51 €               |          |
|         | Foam sheet per square mtr, D=5mm             | <a href="#">368037</a> | 8,65 €   | Teppichsatz 111 Cpe rot-boucle         | <a href="#">394173</a>                         | 462,41 €               |          |
|         | Metal Clip, covers,                          | <a href="#">268676</a> | 1,79 €   | 11                                     | Cover, paper under dash C111 LHD LH, FN        | <a href="#">368035</a> | 64,40 €  |
| 12      | Cover, paper under dash C111 LHD RH FN       | <a href="#">368036</a> | 103,04 € | 17                                     | Rubber pad, dec. ring, ->167                   | <a href="#">268042</a> | 16,18 €  |
| 17      | Rubber ring   1967 -> 07..1979   A1156890097 | <a href="#">268044</a> | 4,61 €   | 18                                     | lock escutcheon up to '67, Alu anodized        | <a href="#">268041</a> | 7,98 €   |
| 24      | Rbr plug 17,5mm                              | <a href="#">398995</a> | 1,17 €   | 25                                     | Rubbergrommet, firewall, square                | <a href="#">299026</a> | 3,32 €   |
| 26      | Rubber buffer 5mm,121,113,10                 | <a href="#">298066</a> | 0,89 €   | 29                                     | Speaker 108/109/111                            | <a href="#">368015</a> | 75,36 €  |
| 30      | Cover, front subframe mount                  | <a href="#">268010</a> | 11,90 €  | 31                                     | Clip,cover                                     | <a href="#">268009</a> | 1,74 €   |
| 33      | Plug, 32mm, e.g. boot, ..Repro               | <a href="#">268309</a> | 1,81 €   | 33                                     | Buffer, conical shape, boot lid div.           | <a href="#">398043</a> | 1,65 €   |
| 34      | Grommet 4/20mm, 1 hole, drain                | <a href="#">399009</a> | 1,71 €   | 36                                     | Firewall Insulation 111/2, version see picture | <a href="#">368530</a> | 212,89 € |
| 36      | Firewall mat LHD W111 220 SEB, Material 13mm | <a href="#">368532</a> | 210,00 € | 40                                     | Rubber trunk main mat A1086840105              | <a href="#">868300</a> | 218,96 € |
| 41      | Rivet,for cover in boot                      | <a href="#">269034</a> | 0,35 €   | 41                                     | cover rear cross member, above axle mount      | <a href="#">269832</a> | 31,90 €  |
| 50      | Covering blk card, boot 108LH                | <a href="#">868611</a> | 87,51 €  | 50                                     | Covering, W110 boot LH                         | <a href="#">368612</a> | 94,00 €  |
| 50      | Card+foam covering W111 Cpe-trunk LH         | <a href="#">368611</a> | 103,04 € | 59                                     | Seal 111Cpe                                    | <a href="#">369040</a> | 127,39 € |
| 69      | Cap part of snap                             | <a href="#">177005</a> | 1,79 €   | 69                                     | Knob(1pce),e.g.rubbermats                      | <a href="#">268105</a> | 4,94 €   |
| 69      | Screw 4,2 x 25                               | <a href="#">268104</a> | 0,30 €   | 69                                     | Spring eye part of snap                        | <a href="#">177006</a> | 0,39 €   |
| 69      | Ball to screw, part of snap                  | <a href="#">177003</a> | 0,43 €   | 71                                     | Panel under rocker mat , LH door               | <a href="#">368170</a> | 95,00 €  |

|    |  |                        |         |    |  |                        |          |
|----|--|------------------------|---------|----|--|------------------------|----------|
| 71 | Panel under rocker rubber, RH<br>doorstep  | <a href="#">368180</a> | 95,00 € | 73 | step<br>1m rbr profile, Cab/Cpe rocker | <a href="#">398011</a> | 5,65 €   |
| 77 | Cover/ Plug jack mount rear<br>A1118995108 | <a href="#">389008</a> | 24,50 € | 85 | Nachrüst-Gurt, Fond zB. W108           | <a href="#">899973</a> | 107,10 € |

## 69/88 Trims at Sidepanel

69/88 Trims at Sidepanel



|     |   |                         |          |     |  |                        |          |
|-----|---|-------------------------|----------|-----|--|------------------------|----------|
|     | Dec. strip set, whl. arch W/C111, B.Quality     | <a href="#">B364000</a> | 119,00 € |     | Bolt, flat head, garnish trim below WS, 2x req               | <a href="#">367117</a> | 13,35 €  |
|     | Rubber underlay, tailpanel trims ref 0009872760 | <a href="#">369056</a>  | 39,69 €  | 21  | Clip, t'hold strip, to'67                                    | <a href="#">898010</a> | 1,49 €   |
| 21  | Clip, dec. strip Ponton                         | <a href="#">472115</a>  | 2,49 €   | 28  | Schild "200D" am A-Brett, solange Vorrat                     | <a href="#">381028</a> | 28,56 €  |
| 31  | 1m rbr profile, Cab/Cpe rocker                  | <a href="#">398011</a>  | 5,65 €   | 31  | Plug, e.g. upper trim at door W111 Cpe/convertible, Ref.-No. | <a href="#">372082</a> | 2,56 €   |
| 33  | 1m rubber profile e.g. prot.                    | <a href="#">169056</a>  | 2,99 €   | 39  | grommet washer-clip  | <a href="#">367099</a> | 0,60 €   |
| 39  | Connecting piece, middle                        | <a href="#">267045</a>  | 14,33 €  | 51  | Clip, rocker panel trim 108, ...                             | <a href="#">872056</a> | 0,20 €   |
| 52  | Dec. strip set, whl. arch W114/115              | <a href="#">564000</a>  | 133,52 € | 53  | Dec. strip, wing, fr.Lt.                                     | <a href="#">569070</a> | 45,70 €  |
| 53  | Dec. strip, wing, fr.Rt.                        | <a href="#">569080</a>  | 45,70 €  | 54a | Dec. strip on door limo fr.Rt.                               | <a href="#">572256</a> | 30,33 €  |
| 54a | Dec. strip on door limo fr.Lt.                  | <a href="#">572255</a>  | 30,33 €  | 55  | Dec. strip on door rr.Lt.                                    | <a href="#">573255</a> | 30,33 €  |
| 55  | Dec. strip on door rr. Lt.                      | <a href="#">573256</a>  | 30,33 €  | 61  | Dec. strip t'hold SEL Lt.                                    | <a href="#">669051</a> | 29,42 €  |
| 61  | Dec. strip t'hold SEL Rt.                       | <a href="#">669061</a>  | 47,60 €  | 63  | Dec. strip, wing, fr. Lt.                                    | <a href="#">669070</a> | 115,00 € |
| 63  | Dec. strip, wing, fr. Rt. W116 NOS              | <a href="#">669080</a>  | 115,00 € | 67  | Dec. strip rear door SE Lt.                                  | <a href="#">673250</a> | 27,06 €  |
| 67  | Dec. strip rear door SEL Lt.                    | <a href="#">673251</a>  | 51,52 €  | 67  | Dec. strip rear door SE Rt.                                  | <a href="#">673260</a> | 49,67 €  |
| 68  | Dec. strip bf. rear whl. Lt.                    | <a href="#">669110</a>  | 26,79 €  | 68  | Dec. strip bf. rear whl. Rt. W116 NOS                        | <a href="#">669120</a> | 32,13 €  |
| 83  | Trim plug, red                                  | <a href="#">772083</a>  | 0,24 €   | 126 | Bumper bracket L or R, outer                                 | <a href="#">388126</a> | 93,89 €  |
| 150 | Bumper bracket late Cpe frt inner LH            | <a href="#">388150</a>  | 63,72 €  | 150 | Bumper bracket late Cpe frt inner RH                         | <a href="#">388160</a> | 63,72 €  |

## 67/72/75 Weatherstrips 4-door vehicles

### 67/72/75 Weatherstrips W110+111+112(4-door), 108+109

|  |                        |          |  |                        |          |
|--|------------------------|----------|--|------------------------|----------|
| W/s gasket, W110-112: limo, OE-quality               | <a href="#">367020</a> | 164,99 € | grommet, frt door wirings 108/9                          | <a href="#">899050</a> | 29,99 €  |
| Door seal W108 (SE), rear left originalquality       | <a href="#">873100</a> | 200,99 € | Door seal W108-9 (SEL) rr.Lt.                            | <a href="#">873105</a> | 169,19 € |
| Clip, door seal                                      | <a href="#">873159</a> | 0,60 €   | Seal B-pillar W108-9 rear left original quality          | <a href="#">873180</a> | 59,50 €  |
| Door seal W108 (SE) rear right original quality      | <a href="#">873200</a> | 200,99 € | Door seal W108-9 (SEL) rr.r                              | <a href="#">873205</a> | 160,00 € |
| Seal B-pillar W108-9 rear right original quality     | <a href="#">873280</a> | 59,50 €  | Seal, s'shine roof frt. 108 114 123                      | <a href="#">878900</a> | 9,02 €   |
| Boot seal W108/109 , reproduction                    | <a href="#">875822</a> | 60,12 €  | A1087270431 Seal, B-pillar W108-9 fr.Rt                  | <a href="#">872280</a> | 52,90 €  |
| Rr window seal, W108/109, reproduction               | <a href="#">867833</a> | 64,46 €  | W/S seal 108/109, reproduction                           | <a href="#">867820</a> | 56,98 €  |
| W/s gasket, W110-112: limo, reproduction             | <a href="#">367820</a> | 46,61 €  | grommet, drain hose @ trunk W108 sunroof                 | <a href="#">878099</a> | 19,99 €  |
| brush L or R sunroof                                 | <a href="#">878720</a> | 8,97 €   | 1m fabric hose black, for protection profiles pillars    | <a href="#">372804</a> | 12,79 €  |
| 1m fabric hose blue, for protection profiles pillars | <a href="#">372805</a> | 12,79 €  | 1m fabric hose brown, for protection profiles pillars    | <a href="#">372806</a> | 12,79 €  |
| clip, brush, inner, 108,109,114,115                  | <a href="#">872502</a> | 7,49 €   | Door seal W108-109 fr.Rt.                                | <a href="#">872200</a> | 179,99 € |
| R/w gasket, W110-112 4-door cars, OE-quality         | <a href="#">367033</a> | 99,00 €  | Seal B-pillar W110-112 rear right                        | <a href="#">373280</a> | 29,75 €  |
| R/W gasket, W110-112 4-door cars, FEBI               | <a href="#">367833</a> | 65,24 €  | Door seal 190-300SEL, fr.Lt.                             | <a href="#">372105</a> | 256,93 € |
| Seal B-pillar W110-112 fr.L                          | <a href="#">372180</a> | 46,40 €  | A1107200278 Door seal 190-300SEL, fr.Rt                  | <a href="#">372205</a> | 256,93 € |
| Seal B-pillar W110-112 front right                   | <a href="#">372280</a> | 46,40 €  | Door seal 190-300SE, rr.Lt.                              | <a href="#">373100</a> | 163,14 € |
| Gkt. B-pillar W110-112 rear left                     | <a href="#">373180</a> | 29,75 €  | Door seal 190-300SE, rr.Rt.                              | <a href="#">373200</a> | 163,14 € |
| Boot seal, fits 4-door                               | <a href="#">375022</a> | 140,00 € | Seal B-pillar W108-9 front Left original quality         | <a href="#">872180</a> | 52,90 €  |
| Rear window gasket, ponton/limo OEM                  | <a href="#">467033</a> | 64,50 €  | W/s gasket, W108/109, FEBI                               | <a href="#">867020</a> | 41,00 €  |
| Rr window seal, W108/109, OE-quality                 | <a href="#">867033</a> | 104,54 € | Frontscheibendichtung 108 Orig                           | <a href="#">867920</a> | 143,50 € |
| Set rbr mats rocker pnl, blk, W108 S/S               | <a href="#">868580</a> | 115,00 € | Set rbr mats rocker pnl, grey, W108-S/S                  | <a href="#">868585</a> | 115,00 € |
| Set rbr mats rocker pnl,blk, W108/9-SE               | <a href="#">868590</a> | 115,00 € | Set rbr mats rocker pnl, grey, W108/9-SE                 | <a href="#">868595</a> | 115,00 € |
| Door seal W108-109 fr.Lt.                            | <a href="#">872100</a> | 179,99 € | 6 pcs set rubber mats W110/111, 4-door LHD, interior, no | <a href="#">368501</a> | 362,95 € |

### 67/72/75 Weatherstrips W114+115(4-door), W123, W116

|   |                        |          |   |                        |          |
|---|------------------------|----------|---|------------------------|----------|
| W/s gasket, W114/115                      | <a href="#">567020</a> | 99,00 €  | Rubberseal windscreed W116, OE-quality          | <a href="#">667020</a> | 91,26 €  |
| Body seal kit, 9pcs, W123 4-door          | <a href="#">572601</a> | 329,54 € | Set 4pcs grommets, B-pillar->rear doors, CL/PWL | <a href="#">899051</a> | 19,04 €  |
| clip, brush, inner, 108,109,114,115       | <a href="#">872502</a> | 7,49 €   | Boot seal W116, Repro                           | <a href="#">675022</a> | 102,52 € |
| Door seal W116, front right               | <a href="#">672200</a> | 109,00 € | Door seal W116, front left                      | <a href="#">672100</a> | 109,00 € |
| Rubber seal, rear window W116, OE-quality | <a href="#">667033</a> | 75,68 €  | seal rear, sunroof 115, 116                     | <a href="#">578910</a> | 9,29 €   |
| A1156780820 R/w gasket, W114/115          | <a href="#">567033</a> | 109,99 € | Boot seal 4-door-W114/115, Repro                | <a href="#">575022</a> | 40,34 €  |
| Gkt.,triang.wind. W114-5 Rt. rr.          | <a href="#">573240</a> | 53,55 €  | A1157301478 Door seal W114-115 rr. Rt.          | <a href="#">573200</a> | 129,70 € |
| Door seal W114-115 rear left              | <a href="#">573100</a> | 129,70 € | Door seal W114-115 front right                  | <a href="#">572205</a> | 124,95 € |
| Door seal W114-115 front left             | <a href="#">572105</a> | 124,95 € | rear window seal W114/115                       | <a href="#">567833</a> | 30,29 €  |

### 72/75 Weatherstrips W126 (4-door), W201, W124

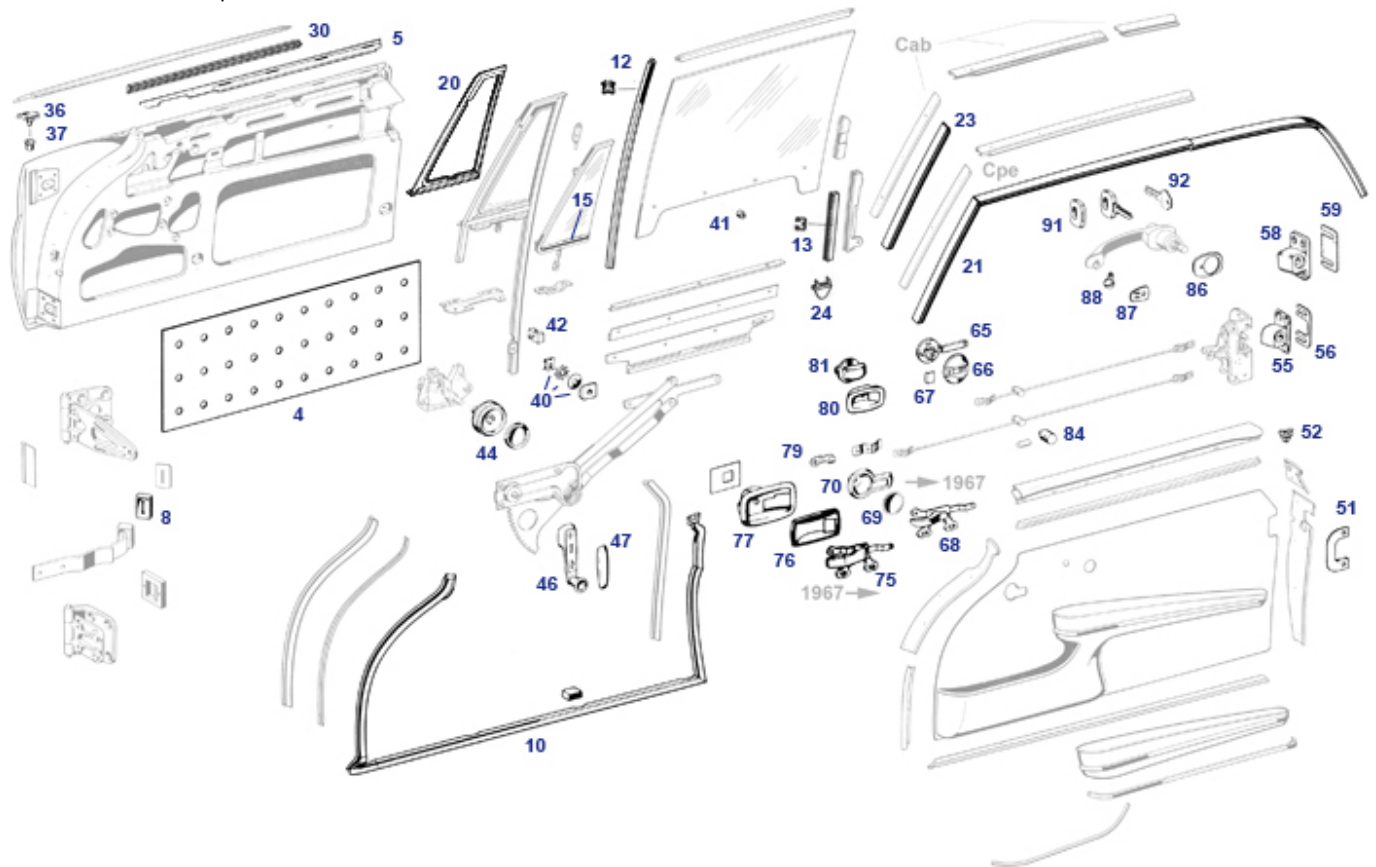
|                                |                        |         |                                   |                        |         |
|--------------------------------|------------------------|---------|-----------------------------------|------------------------|---------|
| protection bellows door wiring | <a href="#">580920</a> | 4,41 €  | Door seal W201 frt LH             | <a href="#">572106</a> | 71,61 € |
| Door seal W201 frt RH          | <a href="#">572206</a> | 71,61 € | Door seal W201 rear RH            | <a href="#">573206</a> | 78,90 € |
| Door seal W201 rear LH         | <a href="#">573106</a> | 78,90 € | Weatherstrip boot lid W201, Repro | <a href="#">575823</a> | 29,22 € |
| Weatherstrip trunk lid W124    | <a href="#">575825</a> | 20,45 € | Weatherstrip trunk lid W124 late  | <a href="#">575826</a> | 36,62 € |

|                                    |                        |         |                                    |                                |
|------------------------------------|------------------------|---------|------------------------------------|--------------------------------|
| (4-door) early                     |                        |         |                                    |                                |
| Door seal frt LH W124 (4-door veh) | <a href="#">572107</a> | 34,78 € | Door seal frt RH W124 (4-door veh) | <a href="#">572207</a> 34,78 € |
| Door seal rr LH W124 (4-door veh)  | <a href="#">573107</a> | 26,03 € | Door seal LH 126 SEC (Coupe)       | <a href="#">672102</a> 68,32 € |
| Door seal RH 126 SEC (Coupe)       | <a href="#">672202</a> | 53,10 € | seal, taillight W126, fits L or R  | <a href="#">682655</a> 68,33 € |



## 72.b Doors W111 Coupe/Convertible

72.b Doors W111 Coupe/Convertible

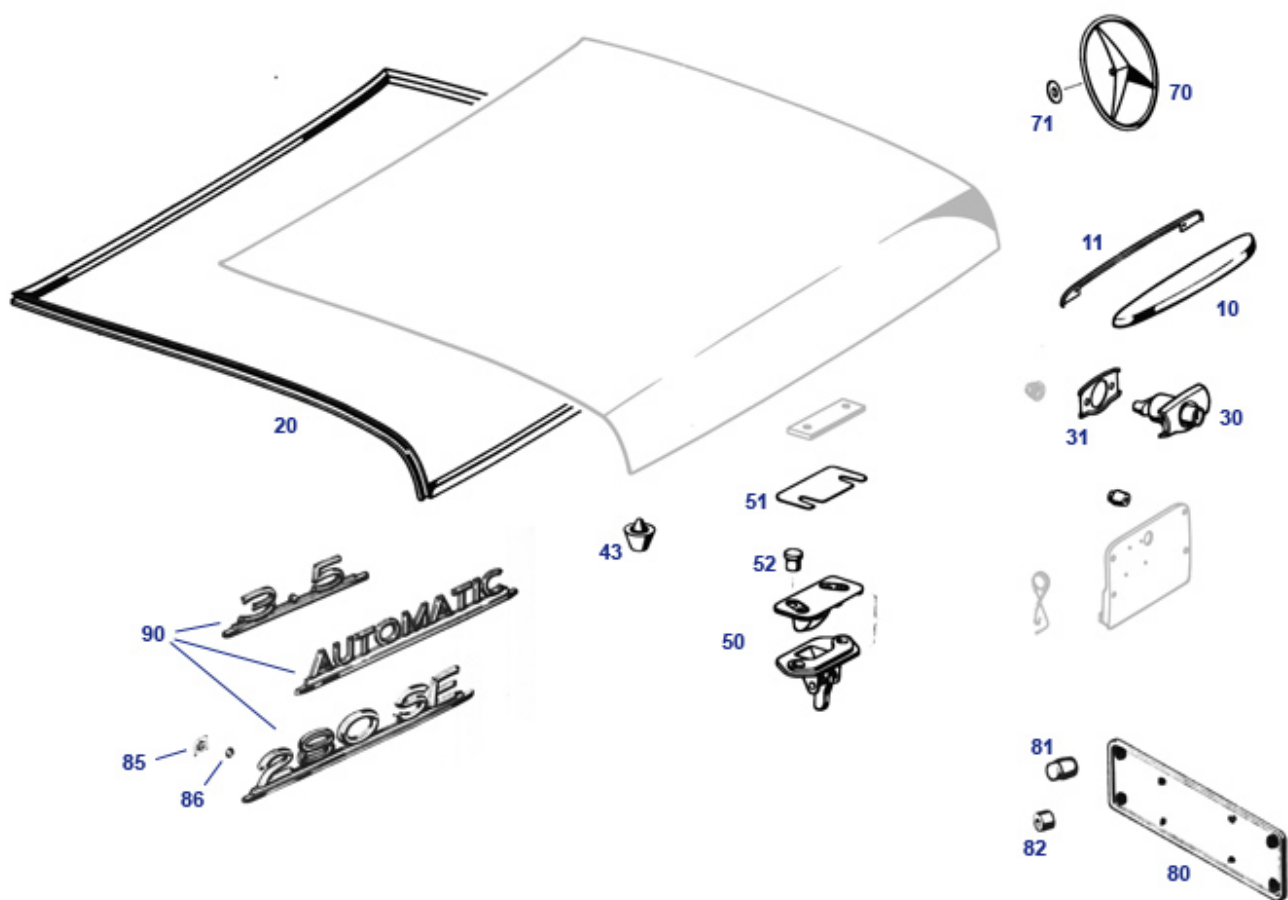


|    |   |                        |            |    |  |                        |          |
|----|---|------------------------|------------|----|--|------------------------|----------|
|    | rep.-kit hinge repair W110/110, 113 needs machining<br>--> see 372100     | <a href="#">372016</a> | 79,38 €    |    | 1m rbr profile, glass framing                                | <a href="#">367055</a> | 14,28 €  |
|    | late lock mechanism LH, w. prot-lock                                      | <a href="#">372900</a> | 211,34 €   |    | A1117255132  | <a href="#">372122</a> | 130,89 € |
|    | lock mechanism RH, no prot-lock   | <a href="#">272063</a> | 572,25 €   |    | lock mechanism RH, no prot-lock                              | <a href="#">172048</a> | 399,45 € |
|    | late lock mechanism RH, no prot-lock                                      | <a href="#">272051</a> | 432,21 €   |    | lock mechanism LH, w. prot-lock                              | <a href="#">272050</a> | 478,39 € |
|    | late lock mechanism RH, no prot-lock                                      | <a href="#">272062</a> | 457,70 €   |    | lock mechanism LH, no prot-lock                              | <a href="#">172049</a> | 459,99 € |
|    | Handle w.knob, ca. 1970-1976  | <a href="#">276004</a> | 41,50 €    |    | A1117255132  | <a href="#">372123</a> | 130,89 € |
| 4  | 0,75 sqm mat, Teroson BT-SP100 self adhesive                              | <a href="#">968173</a> | 67,20 €    | 4  | Insulation, adhesive, at door skin inside W111 Cpe/Cab       | <a href="#">372168</a> | 45,80 €  |
| 5  | Inner upper door strip, metal, W111Cpe/Cab LH                             | <a href="#">372711</a> | 33,32 €    | 5  | Inner upper door strip, metal, W111Cpe/Cab RH                | <a href="#">372721</a> | 33,32 €  |
| 10 | Door seal C111-2 coupe/cabriolet left                                     | <a href="#">372100</a> | 267,75 €   | 10 | Door seal C111-2 coupe/cabriolet right                       | <a href="#">372200</a> | 267,75 € |
| 13 | window slide rail, 2m   | <a href="#">372525</a> | 49,98 €    | 20 | Triangle. window. gasket. C111/2 left                        | <a href="#">372130</a> | 178,50 € |
| 20 | Triangle window gasket C111/2 right                                       | <a href="#">372230</a> | 178,50 €   | 21 | Side wind. seal W111 coupe Lt.                               | <a href="#">372216</a> | 102,99 € |
| 21 | main body seal kit W111-2, Cpe, OE-quality                                | <a href="#">372600</a> | 1.191,14 € | 21 | Side wind. seal W111 coupe Rt.                               | <a href="#">372211</a> | 102,99 € |
| 23 | Seal W111 Cabrio, left  | <a href="#">372210</a> | 83,90 €    | 23 | Seal A-pillar Cabriolet 540mm                                | <a href="#">372550</a> | 25,20 €  |
| 23 | Abdichtgummi W111 Cabrio, right   | <a href="#">372215</a> | 83,90 €    | 36 | Plug, e.g. upper trim at door W111 Cpe/convertible, Ref.-No. | <a href="#">372082</a> | 2,56 €   |
| 37 | plug, red, see pict   | <a href="#">772008</a> | 0,45 €     | 40 | Washer Kit for Mounting Window Regulator - 1237200114        | <a href="#">272752</a> | 10,88 €  |
| 41 | Rubber sleeve for door glass cover,hand wheel, seats up to 07.'67, others | <a href="#">272075</a> | 2,50 €     | 42 | Guide jaw W111C, at window rail                              | <a href="#">372009</a> | 26,99 €  |
| 44 | Window crank handle 63-70 replacemnt                                      | <a href="#">291639</a> | 34,45 €    | 46 | Window crank handle 63-70 replacemnt                         | <a href="#">276901</a> | 49,50 €  |
| 46 | Window crank handle 63-70 replacemnt                                      | <a href="#">276001</a> | 133,64 €   | 47 | Crank Pad 06.63->01.70 black                                 | <a href="#">276090</a> | 17,49 €  |
| 51 | Screw, door catch surround M4 x 10  | <a href="#">777029</a> | 1,90 €     | 51 | 1 pair door catch garnish 113,111Cab/Cp,C107 early           | <a href="#">272815</a> | 109,00 € |
| 53 | Ctr sunk screw @  | <a href="#">272034</a> | 1,44 €     | 55 | Door catch Lt. R113 07.61->'67                               | <a href="#">272055</a> | 91,45 €  |

|    |                                     |                        |          |    |                                       |                        |          |
|----|-------------------------------------|------------------------|----------|----|---------------------------------------|------------------------|----------|
|    | 272033/044/300/400                  |                        |          |    | 3-hole                                |                        |          |
| 55 | Door catch RT. 07.61->'67 3-hole    | <a href="#">272022</a> | 91,25 €  | 56 | Threaded door catch support           | <a href="#">164055</a> | 72,91 €  |
| 57 | Screw, 6x16 e.g. door catch, ..     | <a href="#">777021</a> | 1,24 €   | 59 | Distancer, 1,5mm, door catch          | <a href="#">572012</a> | 4,75 €   |
|    |                                     |                        |          |    | '69->..                               |                        |          |
| 59 | distancer 0,5mm flat , door catch   | <a href="#">872012</a> | 4,76 €   | 65 | Locking handle assy. inner door       | <a href="#">172194</a> | 109,78 € |
|    | '69->                               |                        |          |    | ->'67 R                               |                        |          |
| 65 | Locking handle assy, inner door     | <a href="#">172193</a> | 109,78 € | 65 | Chrome handle for int.locking repair  | <a href="#">172195</a> | 59,99 €  |
|    | ->'67 L                             |                        |          |    |                                       |                        |          |
| 66 | Door lock escutcheon plate          | <a href="#">176866</a> | 36,62 €  | 66 | Door lock escutcheon plate            | <a href="#">176066</a> | 78,53 €  |
| 67 | Cover tab chromed for 176066        | <a href="#">172168</a> | 9,98 €   | 67 | Chrome cover @ lock-lever             | <a href="#">172868</a> | 15,10 €  |
| 68 | Phillips screw, half-round head, M6 | <a href="#">990109</a> | 0,34 €   | 68 | Opener handle inner LH ->'67          | <a href="#">276111</a> | 174,76 € |
|    | x 16                                |                        |          |    | (230,250FN                            |                        |          |
| 68 | Opener handle inner RH ->'67        | <a href="#">276112</a> | 174,76 € | 69 | Insert opener handle, round style     | <a href="#">276755</a> | 9,40 €   |
|    | (230,250FN                          |                        |          |    |                                       |                        |          |
| 69 | Insert opener handle, round style   | <a href="#">276855</a> | 11,72 €  | 70 | Escutcheon, opener handle RH          | <a href="#">276060</a> | 129,70 € |
|    |                                     |                        |          |    | ->'67 optical error on the inside     |                        |          |
| 70 | Escutcheon, fits opener handle LH   | <a href="#">276050</a> | 129,70 € | 75 | Opener handle inner LH '67->          | <a href="#">276011</a> | 289,99 € |
|    | ->'67                               |                        |          |    | (250FN,280                            |                        |          |
| 75 | Opener handle inner RH '67->        | <a href="#">276012</a> | 289,99 € | 76 | Late right Insert   black   250-280SL | <a href="#">276010</a> | 19,99 €  |
|    | (250FN,280                          |                        |          |    |                                       |                        |          |
| 77 | Opener chrome surr. from 67, orig   | <a href="#">276007</a> | 27,97 €  | 78 | A1087660390 Insert, late FN, Lt.      | <a href="#">276009</a> | 19,99 €  |
| 79 | clips for door actuator link wires  | <a href="#">198004</a> | 27,04 €  | 80 | Recess, 280SL, 250SL 02980->          | <a href="#">276013</a> | 162,48 € |
| 84 | Rubber rod guide 190SL, R113,       | <a href="#">298705</a> | 5,95 €   | 84 | Rubber rod guide 190SL, R113,         | <a href="#">298005</a> | 5,55 €   |
|    | 111Cpe/Cab                          |                        |          |    | 111Cpe/Cab                            |                        |          |
| 86 | Rubber handle-tail, 113:RH /        | <a href="#">276820</a> | 5,68 €   | 86 | Rubber handle-tail, 113:LH /          | <a href="#">276810</a> | 5,68 €   |
|    | 111:LH                              |                        |          |    | 111:RH                                |                        |          |
| 87 | Rubber handle-frt, 113:RH / 111:LH  | <a href="#">276840</a> | 4,97 €   | 87 | Rubber handle-frt, 113:LH / 111:RH    | <a href="#">276830</a> | 4,97 €   |

## 75 Bootlid W111-108

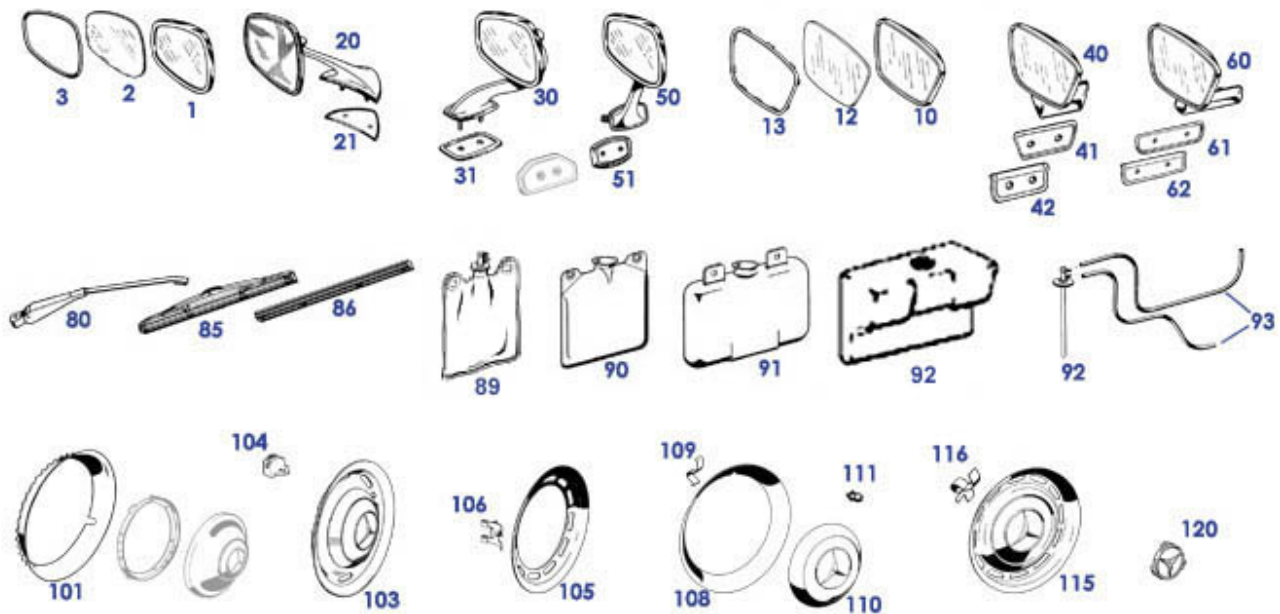
75 Bootlid W111-108



|    |   |                        |          |    |  |                        |          |
|----|---|------------------------|----------|----|--|------------------------|----------|
|    | Rubbergrommet, heat.return Rt. or drain 108boot | <a href="#">799003</a> | 13,01 €  | 10 | Handle, chrome, trunk lid                                      | <a href="#">275010</a> | 160,00 € |
| 11 | Rbr underlay,boot lid handle 113,111,10         | <a href="#">275011</a> | 7,82 €   | 20 | Boot seal W111 coupe   | <a href="#">375021</a> | 162,90 € |
| 20 | Boot seal, fits 4-door                          | <a href="#">375022</a> | 140,00 € | 20 | Boot seal W108/109 , reproduction                              | <a href="#">875822</a> | 60,12 €  |
| 31 | Underlay rubber, trunk lock 111Cpe/Cab          | <a href="#">375831</a> | 8,84 €   | 43 | Buffer, conical shape, boot lid div.                           | <a href="#">398043</a> | 1,65 €   |
| 47 | rubber buffer, fuel filler door 108,111,SLC107  | <a href="#">398795</a> | 2,30 €   | 51 | shim 1mm, catch underlay, height adjustment                    | <a href="#">375039</a> | 8,01 €   |
| 71 | Rubber washer                                   | <a href="#">175012</a> | 1,11 €   | 80 | Licence plate underlay, fr./rear, s-steel polished, fits 520mm | <a href="#">588088</a> | 11,90 €  |
| 81 | rbr buffer, rr lic plate, ... ref 1089870540    | <a href="#">898044</a> | 7,90 €   | 85 | Clip, 'Automatic'  | <a href="#">281024</a> | 0,20 €   |
| 86 | O-Ring blk rubber, eg Type signs                | <a href="#">281027</a> | 0,13 €   | 90 | Typenschild: 280SEL  | <a href="#">881005</a> | 94,26 €  |

# 81/86 Outer Mirror, Wiperblades, Wheel Trim

81/86 Outer Mirror, Wiperblades, Wheel Trim

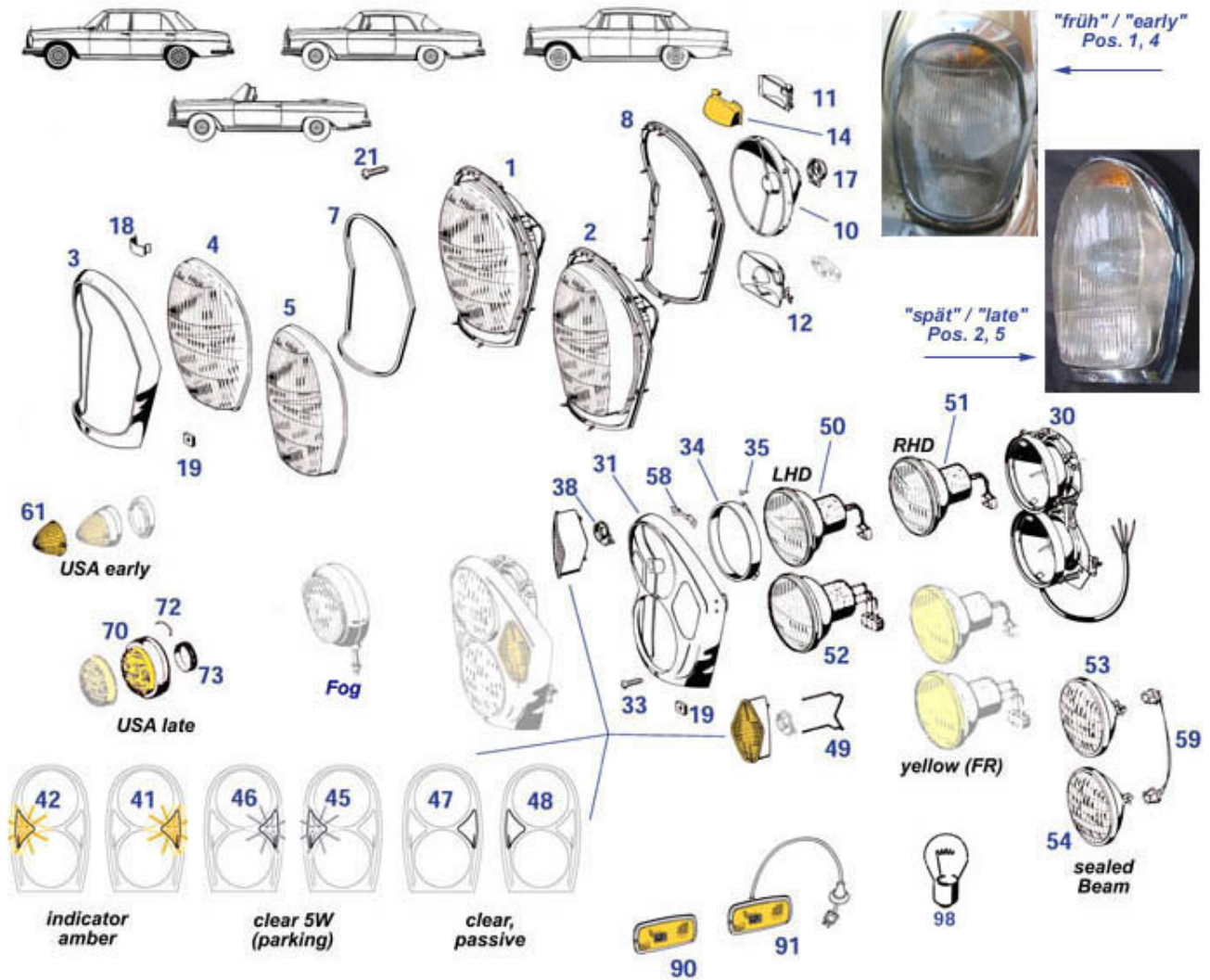


|           |   |                        |          |   |                        |          |
|-----------|---|------------------------|----------|---|------------------------|----------|
|           | Mirror head '67->, RH, quality deficits, Repro  | <a href="#">281852</a> | 32,50 €  | sonstiges Wheel lug nut, 190SL, Ponton                                  | <a href="#">199022</a> | 0,79 €   |
|           | Mirror head '67->, LH, quality deficits, Repro  | <a href="#">281851</a> | 42,00 €  | sonstiges Right sun visor w/o Brackets (late version)                   | <a href="#">881124</a> | 190,00 € |
| sonstiges | Left sun visor w/o Brackets (late version)      | <a href="#">881123</a> | 190,00 € | sonstiges Wheel bolt+cap,alloy whl.to 85                                | <a href="#">740005</a> | 1,90 €   |
|           | A1158690121 mech pedal washer pump w.sw         | <a href="#">586020</a> | 431,60 € | sonstiges Wheel bolt, steel wheels MB from 1967                         | <a href="#">240005</a> | 1,59 €   |
| 1         | Mirror head ->67, Repro, tinted                 | <a href="#">181025</a> | 43,64 €  | 1 Mirror head ->67, Repro, clear  | <a href="#">181125</a> | 47,10 €  |
| 2         | Replacement glass, tinted                       | <a href="#">181026</a> | 22,00 €  | 3 A000810165 Replacement nylon bezel                                    | <a href="#">181027</a> | 14,70 €  |
| 12        | Mirror glass, flat, tinted, fits late m         | <a href="#">281061</a> | 23,80 €  | 13 Ring, glass retention, 1967-> (trapez)                               | <a href="#">281062</a> | 17,26 €  |
| 20        | Outside mirror, sedan, Lt.                      | <a href="#">481010</a> | 88,38 €  | 20 Outside mirror, sedan, Rt.   | <a href="#">481020</a> | 88,38 €  |
| 21        | Seal, outside mirror, Lt.                       | <a href="#">481011</a> | 10,40 €  | 21 Seal, outside mirror, Rt.  | <a href="#">481021</a> | 9,98 €   |
| 30        | Rear view mirror, Lt. early, B-quality          | <a href="#">281030</a> | 101,45 € | 30 Rear view mirror, Rt. early, B-quality                               | <a href="#">281040</a> | 100,90 € |
| 31        | Rubber pad mirror ->'67, fits L/R               | <a href="#">281035</a> | 2,64 €   | 40 A1088101516 Ot.mirror C111, W108/9 Lt.                               | <a href="#">881050</a> | 160,65 € |
| 40        | Outer right .mirror C111, W108/9                | <a href="#">881060</a> | 125,97 € | 41 Mirror underlay "trapezoid" '67-> Ot.mirror 250S,SE+300SE left early | <a href="#">281855</a> | 2,56 €   |
| 42        | Hidden bracket, door mirror late                | <a href="#">281056</a> | 13,85 €  | 50 Early outer right mirror W114 + W115 (up to 07.1973)                 | <a href="#">881030</a> | 317,19 € |
| 52        | Hidden bracket, door mirror early               | <a href="#">281057</a> | 13,39 €  | 60 Underlay ot.mirror C114 early  | <a href="#">581040</a> | 87,36 €  |
| 60        | A1158100516 Ot.mirror W114/115 Lt. earl         | <a href="#">581030</a> | 87,36 €  | 61  |                        |          |
| 80        | W/wiper arm W/C114, W115 Rt.                    | <a href="#">582220</a> | 102,52 € | 80 Chrom-Überwurfmutter f.Zapfenschlüssel                               | <a href="#">581036</a> | 6,25 €   |
| 80        | Wiper arm 190SL                                 | <a href="#">182095</a> | 106,20 € | 80 Tool, wiper link shaft greasing                                      | <a href="#">382244</a> | 43,44 €  |
| 85        | Wiper blade, single piece, 108-109, 114-115     | <a href="#">882230</a> | 47,59 €  | 80  |                        |          |
| 85        | Wiper Blade 108-109, 114-115                    | <a href="#">882730</a> | 49,40 €  | 85 1 pce W'blade,280-500SL, 350/450SLC FN                               | <a href="#">258826</a> | 65,45 €  |
| 86        | Wiper rubber, 280SL (late) 327mm                | <a href="#">282234</a> | 23,81 €  | 85  |                        |          |
| 89        | N/A: Washer bag w/o valve                       | <a href="#">186005</a> | 220,15 € | 86 Rubberstrip, 190SL wiperblade, 280mm                                 | <a href="#">782230</a> | 49,40 €  |
| 91        | Washer water tank 108, 111                      | <a href="#">386010</a> | 89,25 €  | 86 Wiper refill ref. BO 3391014234 114,115,108,109                      | <a href="#">182061</a> | 22,49 €  |
| 92        | Washer bag cap w.valve e.g to 186015, B-Quality | <a href="#">186015</a> | 18,86 €  | 86  |                        |          |
| 101       | Wheel trim ring, 13', s.steel, Repro            | <a href="#">181130</a> | 47,01 €  | 86  |                        |          |
|           |   |                        |          | 90 WS washer tank, repro with cap                                       | <a href="#">582233</a> | 11,90 €  |
|           |   |                        |          | 92 A1088690020  | <a href="#">186810</a> | 87,26 €  |
|           |   |                        |          | 92  |                        |          |
|           |   |                        |          | 92  |                        |          |
|           |   |                        |          | 93 Hose, w'washer, flex.,per metre                                      | <a href="#">886010</a> | 149,00 € |
|           |   |                        |          | 101 "Wheel trim ring chromed, 13"                                       | <a href="#">186040</a> | 1,84 €   |
|           |   |                        |          |   | <a href="#">181030</a> | 111,18 € |

|     |   |                        |          |     |  |                        |         |
|-----|---|------------------------|----------|-----|--|------------------------|---------|
| 108 | "Dec. ring,wheel, 15", chr."                      | <a href="#">440020</a> | 105,90 € | 108 | Ornamental ring 14", chromed           | <a href="#">240810</a> | 65,45 € |
| 108 | Wheel rim trim, 14', chromed mild steel           | <a href="#">240110</a> | 114,76 € | 108 | "Decorative ring,stainless.14"         | <a href="#">240013</a> | 47,01 € |
| 109 | Spring clip, fits orig. 14" wheel decoration ring | <a href="#">240020</a> | 2,88 €   | 116 | spring clip for wheel cover 14" 1968-> | <a href="#">240041</a> | 3,13 €  |

# 82 Headlamp S/SE/SEb/SE C

82 Headlamp S/SE/SEb/SE C

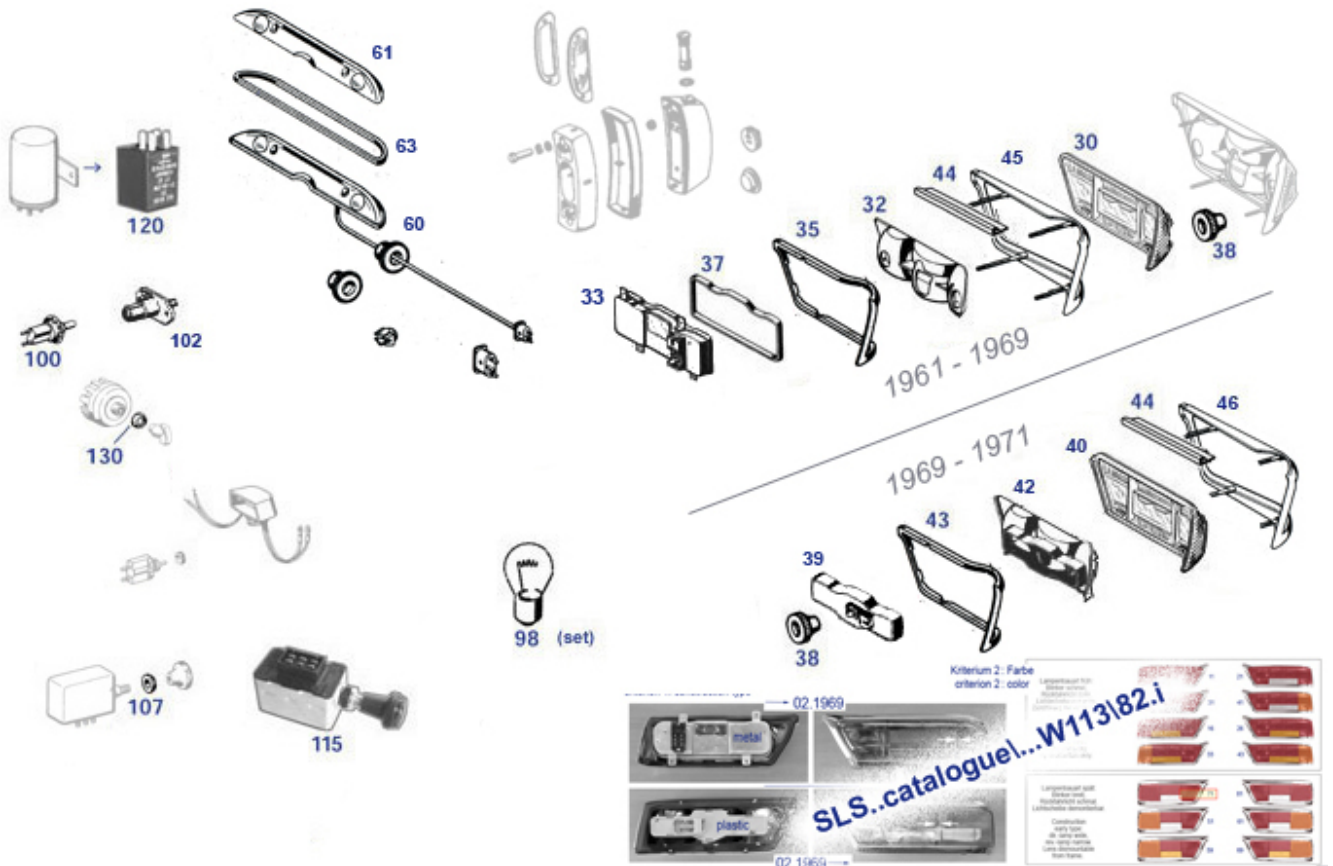


|      |  |                        |          |      |  |                        |          |
|------|--|------------------------|----------|------|--|------------------------|----------|
|      | LED P43t, lamps replacing H4                           | <a href="#">799191</a> | 139,99 € | more | el connector 2 pole, male, e.g. licence lamp 111,108   | <a href="#">354183</a> | 12,00 €  |
|      | Euro H4 lamp insert, LHD, w.parking lamp option        | <a href="#">782747</a> | 36,50 €  | FOG  | 1 pair aux lamp accessory chrome round H3 unit         | <a href="#">382328</a> | 319,99 € |
|      | Foam shim, wiper motor to firewall W111                | <a href="#">382248</a> | 10,95 €  |      | Milled plastic nut, rr lamp 108/111                    | <a href="#">382855</a> | 3,34 €   |
| more | rubber, licence light @ bumper 111,108                 | <a href="#">382053</a> | 9,00 €   | 10   | Reflector fits dropshape headlamp                      | <a href="#">382071</a> | 85,68 €  |
| 31   | Dec.chrome surround for double light unit              | <a href="#">882811</a> | 267,04 € | 35   | Hex. socket head cap screw, low head, zinc plated M4X6 | <a href="#">882013</a> | 0,21 €   |
| 35   | plastic washer PA 3,2                                  | <a href="#">882015</a> | 0,15 €   | 41   | Amber light insert, LH., late, repro                   | <a href="#">882721</a> | 126,28 € |
| 42   | Amber light insert, RH., late, repro                   | <a href="#">882722</a> | 126,28 € | 45   | Parking light insert, LH., late, repro                 | <a href="#">882723</a> | 126,28 € |
| 46   | Parking light insert, RH., late, repro                 | <a href="#">882724</a> | 126,28 € | 47   | Insert for lamp bezel, LH. clear, with no lamp support | <a href="#">382725</a> | 110,50 € |
| 48   | Insert for lamp bezel, RH. clear, with no lamp support | <a href="#">382726</a> | 110,50 € | 98   | Bulb, 55W H1, e.g. 113 if Halogen equipped             | <a href="#">299090</a> | 2,89 €   |
| 98   | light bulb 12V/2W, BA9s, eg. Instruments               | <a href="#">254033</a> | 2,20 €   | 98   | Bulb, e.g. trunk light                                 | <a href="#">282033</a> | 2,50 €   |
| 98   | Light bulb 12V/2W, BA7s                                | <a href="#">299079</a> | 1,99 €   | 98   | Bulb 12V / 21W direction indicator                     | <a href="#">299085</a> | 1,25 €   |
| 98   | Halogen bulb H4 55/60 watts (P43t)                     | <a href="#">799090</a> | 3,78 €   | 98   | Bulb, 55W Halogen H3,fog light                         | <a href="#">299091</a> | 4,52 €   |
| 98   | Glühlampe 12V 10W                                      | <a href="#">799089</a> | 0,44 €   | 98   | Bulb 12V/0,5W, see picture                             | <a href="#">799083</a> | 1,52 €   |
| 98   | Bulb 12V / 3W, torpedo, total length 30                | <a href="#">226102</a> | 2,53 €   | 98   | Bulb 12V/18W direction indicator                       | <a href="#">299087</a> | 3,33 €   |
| 98   | Bulb, parking light, 12V/4W, BA9S                      | <a href="#">299099</a> | 1,39 €   | 98   | Bulb 12V / 5W, torpedo, total length 38                | <a href="#">299098</a> | 1,54 €   |
| 98   | Bulb 1.2W, glass socket, switch-                       | <a href="#">299097</a> | 1,79 €   | 98   | Bulb, passenger compt. 3W,                             | <a href="#">299096</a> | 1,79 €   |

|    |                                    |                        |        |    |  |                        |        |
|----|------------------------------------|------------------------|--------|----|--|------------------------|--------|
| 98 | knob, cockpit                      |                        |        |    | NoName                                   |                        |        |
| 98 | Light bulb 12V/2W BA9s, long shape | <a href="#">299095</a> | 3,45 € | 98 | Bulb 12V / 10W, torpedo, total length 44 | <a href="#">299094</a> | 0,51 € |
| 98 | Bulb, 35W, Fog light               | <a href="#">299093</a> | 8,32 € | 98 | Bulb, 40/45W, Bilux                      | <a href="#">299092</a> | 3,99 € |

## 82.c Tail Lights W111-2-door (Cab/Cpe)

82.c Tail Lights W111-2-door (Cab/Cpe)



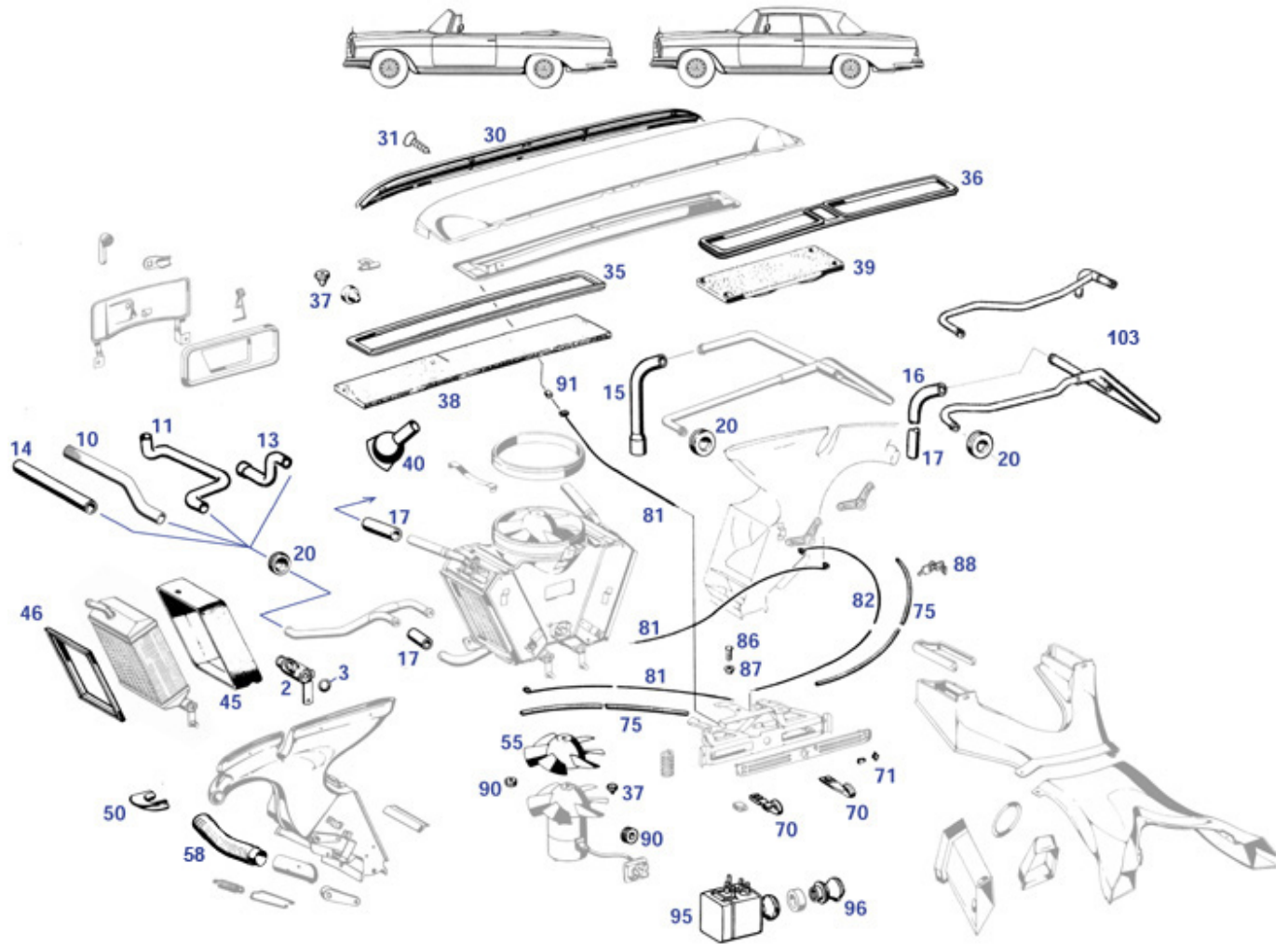
|     |  |                        |          |     |  |                        |          |
|-----|--|------------------------|----------|-----|--|------------------------|----------|
|     | clip, e.g. wire fixture 190SL, R113, R/C107              | <a href="#">254874</a> | 1,50 €   |     | Knob,small,heater blower switch, see picture     | <a href="#">382825</a> | 61,90 €  |
|     | Spring clip for Rt.+Lt. cable                            | <a href="#">254071</a> | 0,83 €   |     | Knob, A/C-vent, green dot                        | <a href="#">382027</a> | 52,30 €  |
| 30  | Taillight lens early LH rd/ye/ye (FR)                    | <a href="#">282133</a> | 143,99 € | 30  | Right Tail Lamp Lens w/o. frame, red/yellow      | <a href="#">282141</a> | 143,99 € |
| 30  | Left Tail Lamp Lens w/o. frame, red/yellow               | <a href="#">282131</a> | 143,99 € | 30  | Lens w.o. frame, red/red, Rt.                    | <a href="#">282121</a> | 143,99 € |
| 30  | Tail Lamp Lens - Left                                    | <a href="#">282111</a> | 143,99 € | 30  | Taillight lens early RH rd/ye/ye (FR)            | <a href="#">282143</a> | 143,99 € |
| 32  | Reflector RH, taillight "early style"                    | <a href="#">282108</a> | 81,00 €  | 32  | Reflector LH, taillight "early style"            | <a href="#">282109</a> | 81,00 €  |
| 33  | Lampholder '63 - '69 right side                          | <a href="#">282114</a> | 155,99 € | 33  | Lampholder '63-'69 left side                     | <a href="#">282115</a> | 155,99 € |
| 35  | Seal, taillight LH, 220SEb/C                             | <a href="#">382117</a> | 45,99 €  | 35  | Seal, taillight 220SEb/C RH                      | <a href="#">382118</a> | 45,99 €  |
| 35  | Seal, taillight LH, 220SEb/C                             | <a href="#">382817</a> | 99,90 €  | 35  | Seal, taillight 220SEb/C RH                      | <a href="#">382818</a> | 99,90 €  |
| 37  | Seal Rear Lampholder/Bracking Board   (61cm) / -> 1969   | <a href="#">282119</a> | 4,74 €   | 38  | Milled plastic nut, rr lamp 108/111              | <a href="#">382855</a> | 3,34 €   |
| 38  | Milled M5 nut, plastic, white                            | <a href="#">282655</a> | 7,04 €   | 40  | Lens rear light RH. 69-> red-yellow              | <a href="#">282161</a> | 189,39 € |
| 40  | Lens rear light LH. 69-> red-yellow                      | <a href="#">282151</a> | 189,39 € | 42  | Mirror fits RH taillight "late style"            | <a href="#">282168</a> | 133,99 € |
| 42  | Mirror, fits LH taillight "late style"                   | <a href="#">282158</a> | 133,99 € | 43  | seal taillight left                              | <a href="#">382217</a> | 59,50 €  |
| 43  | seal taillight right                                     | <a href="#">382218</a> | 59,50 €  | 44  | Rubber profile, 1m rear lights, R113             | <a href="#">282157</a> | 8,22 €   |
| 46  | Chrome bezel tail lamp 111cpe/conv LH late repro         | <a href="#">382152</a> | 254,90 € | 46  | Chrome bezel tail lamp 111cpe/conv RH late repro | <a href="#">382162</a> | 254,90 € |
| 63  | rubber, licence light @ bumper 111,108                   | <a href="#">382053</a> | 9,00 €   | 64  | Grommet, 5/25,bulkhead                           | <a href="#">299012</a> | 2,09 €   |
| 66  | holder plug, lic plate lamp wiring 111-108               | <a href="#">398822</a> | 13,15 €  | 98  | Bulb 12V 15W BA15S, halo modernized              | <a href="#">399083</a> | 3,69 €   |
| 100 | Switch, flat connectors                                  | <a href="#">282031</a> | 10,21 €  | 100 | Door switch round pin connectors                 | <a href="#">282721</a> | 60,75 €  |
| 100 | Rubbershim @ door switch                                 | <a href="#">182121</a> | 12,50 €  | 100 | A0008210252 Door switch, version flat poles      | <a href="#">182021</a> | 28,98 €  |
| 100 | Door switch, Reproduction                                | <a href="#">182821</a> | 26,00 €  | 102 | Bulb, e.g. trunk light                           | <a href="#">282033</a> | 2,50 €   |
| 102 | Trunk(boot) light and switch '59-'85                     | <a href="#">282022</a> | 40,58 €  | 106 | Upgr. hazzard flasher Hella with wiring          | <a href="#">982834</a> | 150,78 € |
| 106 | as long as stock lasts! el. connector (fem) 6-pole, kit, | <a href="#">254984</a> | 27,67 €  | 106 | Relay, flasher, retrofit., plastic knob, Bosch   | <a href="#">982034</a> | 157,15 € |
| 106 | pigtail harness fits emergency                           | <a href="#">982035</a> | 49,03 €  | 107 | Escutcheon, emerg. flasher switch                | <a href="#">282035</a> | 10,28 €  |



|     |  |                        |          |     |  |                        |         |
|-----|--|------------------------|----------|-----|--|------------------------|---------|
| 120 | switch 982034<br>Flasher relay, see pict, pin position changed | <a href="#">254060</a> | 39,91 €  | 120 | Turn signal transmitter (metal), Bosch   | <a href="#">182001</a> | 76,90 € |
| 120 | crimp connector  | <a href="#">997992</a> | 0,43 €   | 120 | Turn signal transmitter                  | <a href="#">254760</a> | 42,39 € |
| 120 | universal flasher relay 12V 4x21W Bosch, flat pole             | <a href="#">582070</a> | 42,39 €  | 120 | Housing, fits up to 5 crimp-shoes        | <a href="#">554070</a> | 0,71 €  |
| 121 | A0015450211 Contact switch, glovebox                           | <a href="#">254101</a> | 402,03 € | 130 | Nut, chrome, light switch                | <a href="#">254043</a> | 12,79 € |
| 150 | Rubber seal lic light lens early                               | <a href="#">182051</a> | 10,39 €  | 199 | Bulb 12V / 10W, torpedo, total length 44 | <a href="#">299094</a> | 0,51 €  |

# 83 Heater System W111 Coupe/Cabriolet

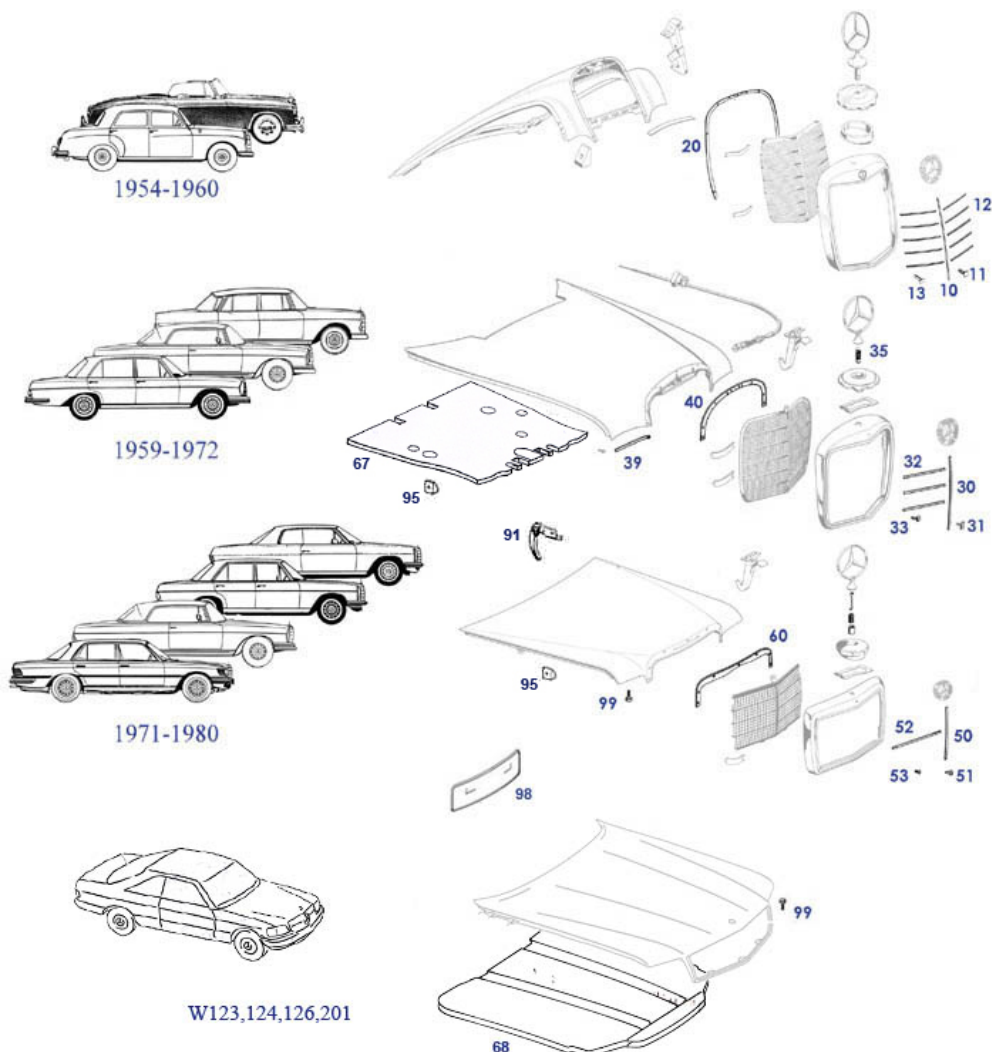
83 Heater System W111 Coupe/Cabriolet



|        |   |                        |          |        |   |                        |          |
|--------|---|------------------------|----------|--------|---|------------------------|----------|
|        | Set 2pcs heater tubes, Pontoon-6-Cyl., 220a/S/SE, 219 | <a href="#">483800</a> | 275,00 € | others | replacement: fan motor, without blade                   | <a href="#">883809</a> | 80,55 €  |
| others | see 483100 identical product                          | <a href="#">483100</a> | 398,30 € | 3      | Sealing ring, heater valve                              | <a href="#">283022</a> | 2,31 €   |
| 15     | Heater return hose, S-shape w.reducer                 | <a href="#">250806</a> | 13,01 €  | 16     | CL hose, bent, no reducer, heater retur                 | <a href="#">250829</a> | 26,03 €  |
| 17     | 1m water hose 15 x 24mm                               | <a href="#">350016</a> | 19,99 €  | 17     | Water hose, i/D 18mm per metre                          | <a href="#">250019</a> | 19,10 €  |
| 20     | Rubber grommet, return                                | <a href="#">299004</a> | 0,50 €   | 20     | Rubber grommet  | <a href="#">299005</a> | 2,59 €   |
| 31     | Screw, grille/bodywork                                | <a href="#">283021</a> | 1,90 €   | 35     | Seal, heater duct, W111 cpe/cab                         | <a href="#">383110</a> | 79,49 €  |
| 36     | Gasket, air duct flap W110/112-4-door                 | <a href="#">383112</a> | 58,25 €  | 37     | Rubber buffer 5mm,121,113,10                            | <a href="#">298066</a> | 0,89 €   |
| 40     | Ball Grommet for Bulkhead Drainage Pipes              | <a href="#">283032</a> | 25,75 €  | 50     | Rubbermount, defroster air duct R113, 110/111 div.      | <a href="#">283837</a> | 3,69 €   |
| 58     | 1m heater vent hose ID 32                             | <a href="#">383036</a> | 136,26 € | 70     | Heater lever, plastic, e.g. W111 Cpe/Cab                | <a href="#">383802</a> | 6,13 €   |
| 70     | Heater control lever, chrome                          | <a href="#">183401</a> | 80,55 €  | 71     | Blue insert for escutcheons                             | <a href="#">183303</a> | 3,95 €   |
| 71     | Red insert for escutcheons                            | <a href="#">183302</a> | 3,99 €   | 75     | 1m cable coil, outer                                    | <a href="#">183072</a> | 2,90 €   |
| 87     | Bushing, cable fixing                                 | <a href="#">107029</a> | 3,45 €   | 88     | rest: Clip, bowden cable, see 775858                    | <a href="#">775158</a> | 3,57 €   |
| 88     | Handle, fresh air vent                                | <a href="#">883819</a> | 29,14 €  | 90     | A0009976181 Rubbergrommet 7/10mm, blowe                 | <a href="#">398787</a> | 4,11 €   |
| 90     | Grommet, 4,5/10mm, cable@wheelarch                    | <a href="#">182005</a> | 2,53 €   | 95     | Switch, heater blower 4-Pin=3-Pole, reproduction        | <a href="#">282024</a> | 334,99 € |
| 97     | A1108201592 Knob, heater blower switch                | <a href="#">282026</a> | 59,99 €  | 97     | Knob, heater blower switch, Repro, optical shortcomings | <a href="#">282826</a> | 68,29 €  |
| 97     | Knob small, heater blower switch, see picture         | <a href="#">382826</a> | 61,90 €  | 97     | Knob,small,heater blower switch, see picture            | <a href="#">382825</a> | 61,90 €  |
| 103    | Return pipe, heater 111 2.2                           | <a href="#">383103</a> | 179,62 € | 103    | Return pipe, heater 111 3.5                             | <a href="#">383105</a> | 166,60 € |
| 103    | return water pipe M116.98xx                           | <a href="#">783885</a> | 49,98 €  | 103    | Return pipe, heater 111 2.8                             | <a href="#">383104</a> | 178,55 € |

# 88 Front Grille Trim

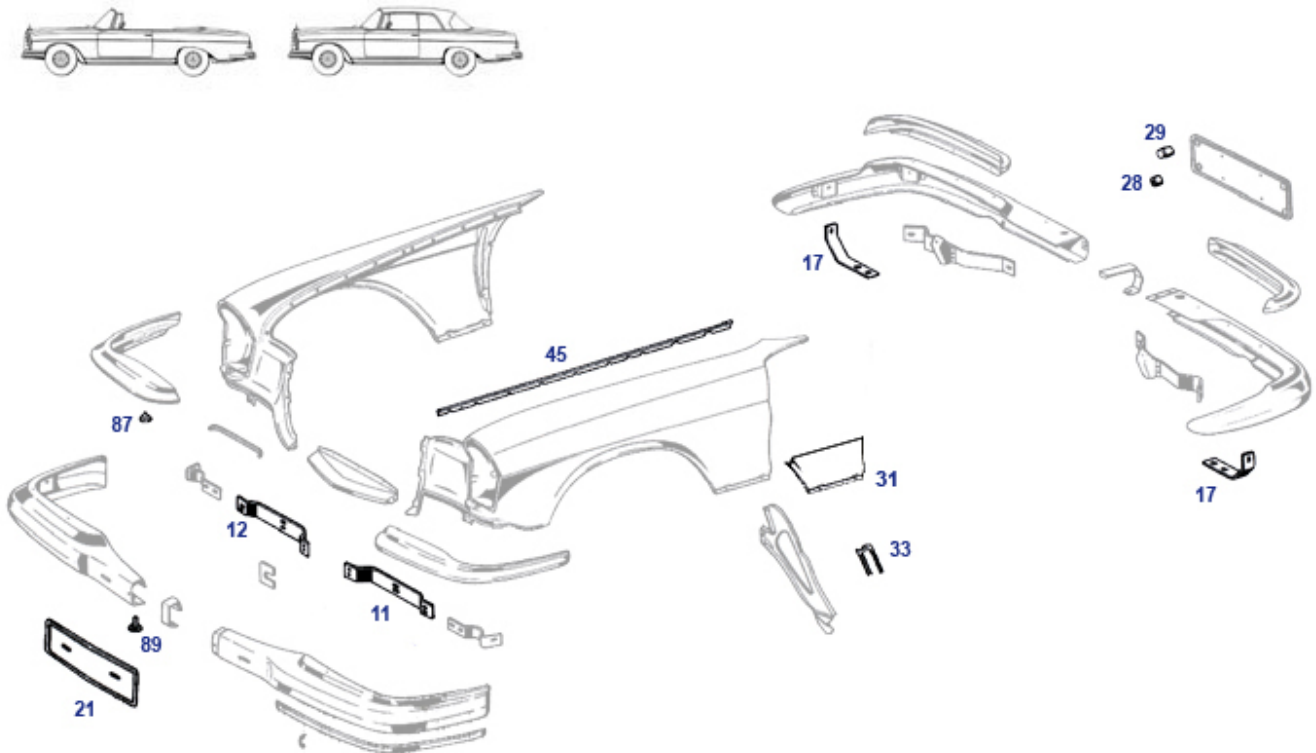
88 Front Grille Trim



|     |   |                        |          |     |  |                        |          |
|-----|---|------------------------|----------|-----|--|------------------------|----------|
|     | centre cover panel betw. frt wings below grille C111            | <a href="#">388193</a> | 71,40 €  |     | opener cable, bonnet, repro to A1088800159                     | <a href="#">888004</a> | 89,25 €  |
|     | Rep paddle, hook release, bonnet 123                            | <a href="#">588041</a> | 2,56 €   |     | Ground strap, bonnet 107, 111, 108                             | <a href="#">754888</a> | 29,37 €  |
| 10  | Trim set for grille mesh, "compilation 180"                     | <a href="#">488845</a> | 148,75 € | 30  | Trim set for grille mesh, "compilation 108"                    | <a href="#">888845</a> | 179,57 € |
| 30  | Decoration strip, vertical, fits "high-grille / narrow mesh"    | <a href="#">388250</a> | 44,99 €  | 30  | Trim set for grille mesh, "compilation 110"                    | <a href="#">388845</a> | 167,79 € |
| 32  | Dec. strip, horizontal, gri                                     | <a href="#">888240</a> | 19,75 €  | 33  | Rubber buffer, e.g. grille to wing                             | <a href="#">898201</a> | 2,59 €   |
| 35  | Spring, for star on rad. grille                                 | <a href="#">388007</a> | 4,17 €   | 39  | small special bolt. e.g. trim at bonnet 110/111 FN             | <a href="#">488258</a> | 18,39 €  |
| 40  | Washer, e.g. screws @ mesh                                      | <a href="#">299045</a> | 0,21 €   | 40  | Bonnet catch, long neck  | <a href="#">388002</a> | 408,88 € |
| 40  | A1118885098 Underlay, rbr., rad. grille                         | <a href="#">388215</a> | 38,73 €  | 40  | Blechmutter, 111-Grill an Haube                                | <a href="#">388219</a> | 0,36 €   |
| 51  | Clip, rad. dec. strip   | <a href="#">588254</a> | 0,60 €   | 60  | Bonnet catch, short neck, steel                                | <a href="#">588012</a> | 399,92 € |
| 67  | A1096820526   | <a href="#">868085</a> | 216,03 € | 91  | handle, opener, bonnet   | <a href="#">288015</a> | 3,87 €   |
| 95  | Buffer, bonnet @ fender slot                                    | <a href="#">788601</a> | 1,96 €   | 98  | Licence plate underlay, fr./rear, s-steel polished, fits 520mm | <a href="#">588088</a> | 11,90 €  |
| 98  | 1 pair of brackets for the front licence plate W114/115/116/123 | <a href="#">588887</a> | 18,40 €  | 98  | License plate, 52,50cm chromed                                 | <a href="#">188090</a> | 138,61 € |
| 99  | Hex Nut M6 flat shaped  | <a href="#">299291</a> | 0,37 €   | 99  | Buffer, bonnets, ..  | <a href="#">298201</a> | 2,32 €   |
| 105 | Clips-Nut e.g. wings frt 108/111-4-door                         | <a href="#">898170</a> | 0,83 €   | 105 | Bonnet sound insulation mat W111                               | <a href="#">368085</a> | 235,00 € |

## 88.c Body attachments W111 late style

88.c Body attachments W111 late style



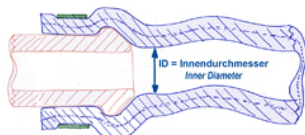
|    |  |                        |         |    |  |                        |          |
|----|--|------------------------|---------|----|--|------------------------|----------|
|    | centre cover panel betw. frt wings below grille C111 | <a href="#">388193</a> | 71,40 € |    | Rep.-panel frt wing RH, rear section, W108+9 | <a href="#">888023</a> | 53,55 €  |
|    | Rep.-panel frt wing LH, rear section, W108+9         | <a href="#">888013</a> | 53,55 € |    | opener cable, bonnet, repro to A1088800159   | <a href="#">888004</a> | 89,25 €  |
| 11 | Bumper bracket late Cpe frt inner LH                 | <a href="#">388150</a> | 63,72 € | 12 | Bumper bracket late Cpe frt inner RH         | <a href="#">388160</a> | 63,72 €  |
| 17 | Bumper bracket L or R, outer                         | <a href="#">388126</a> | 93,89 € | 21 | License plate, 52,50cm chromed               | <a href="#">188090</a> | 138,61 € |
| 29 | rubr buffer, rr lic plate, ... ref 1089870540        | <a href="#">898044</a> | 7,90 €  | 33 | Panelling screw 5,5 x 16 (hex head 8mm)      | <a href="#">288059</a> | 0,60 €   |
| 45 | pan head tapping screw zinc plated 3,9 X 13          | <a href="#">188889</a> | 0,25 €  | 45 | Multi-Purpose Adhesive Insulation Seal       | <a href="#">298001</a> | 9,40 €   |
| 45 | Rubber buffer, e.g. grille to wing                   | <a href="#">898201</a> | 2,59 €  | 87 | Distancer shim, between lower+upper bumpers  | <a href="#">388209</a> | 6,84 €   |
| 89 | Join plate screw M8 e.g. bumper joints               | <a href="#">288105</a> | 1,20 €  | 89 | dummy pin, chrome plated 12mm head           | <a href="#">988105</a> | 2,31 €   |

## 91 Seat komponents fitting 110 up to 116

|  |                        |          |  |                        |          |
|--|------------------------|----------|--|------------------------|----------|
| Leaf spring for rear run                   | <a href="#">191012</a> | 36,71 €  | Cap, ca. 08.'65 -> , 110-113                 | <a href="#">291836</a> | 49,99 €  |
| Foam backrest cushion insert W111          | <a href="#">391873</a> | 160,65 € | Headrest foam insert w/o Attachments         | <a href="#">291748</a> | 58,31 €  |
| Sunk washer at seat hinge, stainless steel | <a href="#">191716</a> | 18,56 €  | Gummihaarauflage Rückenl.re.Cab.             | <a href="#">391180</a> | 124,95 € |
| Gummihaarauflage Rückenl.li.Cab.           | <a href="#">391170</a> | 124,95 € | Gummihaaraufl.Sitzfl.vo.li/re zB111.023      | <a href="#">391150</a> | 121,38 € |
| oval eye, headrest rods                    | <a href="#">291843</a> | 2,90 €   | Headrest foam insert w/o Attachments         | <a href="#">291648</a> | 72,59 €  |
| Chrome sunk washer at seat hinge           | <a href="#">191016</a> | 20,88 €  | cover,hand wheel, seats up to 07.'67, others | <a href="#">291639</a> | 34,45 €  |
| 230SL from VIN ... 012467                  | <a href="#">291636</a> | 76,79 €  | Knob, ivory @ R113 seat adjuster             | <a href="#">291243</a> | 23,80 €  |
| Metal ring at seat (one side taper sunk)   | <a href="#">191055</a> | 9,06 €   | Knob for seat adjuster                       | <a href="#">191030</a> | 22,87 €  |
| Seat catch Lt.                             | <a href="#">191019</a> | 36,90 €  | Seat catch Rt.                               | <a href="#">191018</a> | 36,88 €  |

# 97 flexible hoses, by meter, assorted by inner diameter

97 flexible hoses, by meter, assorted by inner diameter



bitte für Artikelfotos /-Details auf die 6-Stellige Ziffer klicken  
for details please click the 6-digits number

| Innendurchmesser<br>Inner Diameter<br>mm ca. | Normal-Einsatz<br>usual purpose | Nummer<br>Number |
|--|---------------------------------|------------------|
| 2  | Vakuum Vacuum                   | 215027           |
| 3  | Vakuum Vacuum                   | 780985           |
| 3,5  | Vakuum Vacuum                   | 715027           |
| 3,7  | Waschwasser Wash-Wipe           | 786040           |
| 4  | Benzin Fuel                     | 247046           |
| 4,7  | Waschwasser Wash-Wipe           | 186040           |
| 5,5  | Benzin Fuel                     | 247047           |
| 6,35   | Schutz Protection               | 272875           |
| 7,5  | Benzin Fuel                     | 247007           |
| 7,5  | Benzin Fuel                     | 247807           |
| 7,5  | Benzin Fuel                     | 947046           |
| 7,5  | Vakuum Vacuum                   | 707028           |
| 8  | Kühlwasser Cooling Water        | 250016           |
| 9  | Benzin Fuel                     | 947047           |
| 9,5  | Hydraulik Öl Oil (hydraulic)    | 999020           |
| 10   | Vakuum Vacuum                   | 943028           |
| 11   | Benzin Fuel                     | 247005           |
| 12   | Benzin Fuel                     | 747027           |
| 12   | Hydraulik Öl Oil (hydraulic)    | 799020           |
| 12   | Kühlwasser Cooling Water        | 250023           |
| 13   | Wasser Water                    | 778845           |
| 14   | Benzin Fuel                     | 747029           |
| 15   | Hydraulik Öl Oil (hydraulic)    | 299020           |
| 15   | Kühlwasser Cooling Water        | 350016           |
| 16   | Kühlwasser Cooling Water        | 150019           |
| 18   | Kühlwasser Cooling Water        | 250019           |
| 22   | Kühlwasser Cooling Water        | 250107           |
| 32   | Kühlwasser Cooling Water        | 150104           |
| 32   | Kühlwasser Cooling Water        | 150804           |
| 38   | Kühlwasser Cooling Water        | 150105           |
| 38   | Kühlwasser Cooling Water        | 150805           |

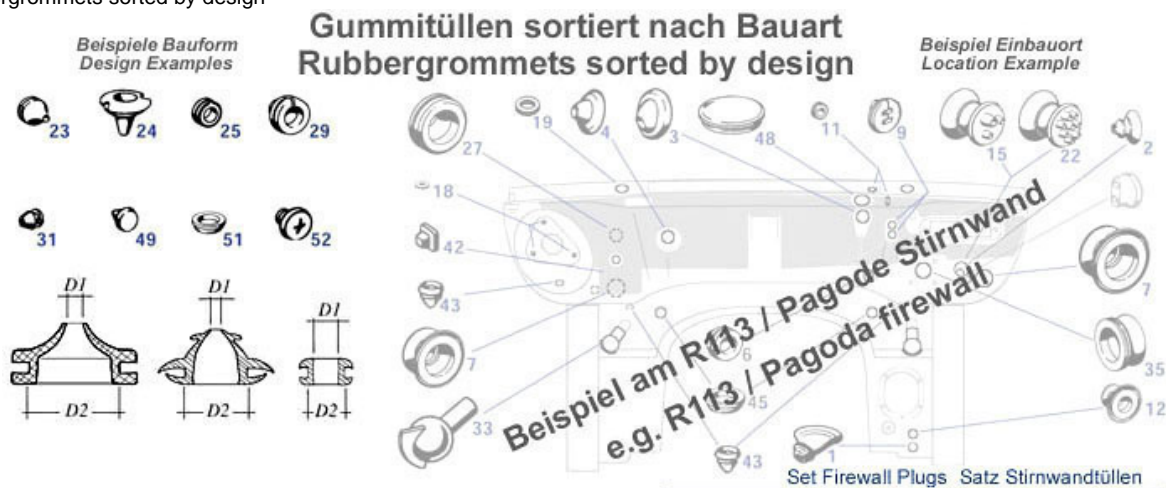
| Normal-Einsatz<br>(Alphabetisch) | usual purpose   | Innendurchmesser<br>Inner Diameter<br>mm ca. | Nummer<br>Number |
|----------------------------------|-----------------|--|------------------|
| Benzin                           | Fuel            | 4  | 247046           |
| Benzin                           | Fuel            | 5,5  | 247047           |
| Benzin                           | Fuel            | 7,5  | 247007           |
| Benzin                           | Fuel            | 7,5  | 247807           |
| Benzin                           | Fuel            | 7,5  | 947046           |
| Benzin                           | Fuel            | 9  | 947047           |
| Benzin                           | Fuel            | 11   | 247005           |
| Benzin                           | Fuel            | 12   | 747027           |
| Benzin                           | Fuel            | 14   | 747029           |
| Hydraulik Öl                     | Oil (hydraulic) | 9,5  | 999020           |
| Hydraulik Öl                     | Oil (hydraulic) | 12   | 799020           |
| Hydraulik Öl                     | Oil (hydraulic) | 15   | 299020           |
| Kühlwasser                       | Cooling Water   | 8  | 250016           |
| Kühlwasser                       | Cooling Water   | 12   | 250023           |
| Kühlwasser                       | Cooling Water   | 15   | 350016           |
| Kühlwasser                       | Cooling Water   | 16   | 150019           |
| Kühlwasser                       | Cooling Water   | 18   | 250019           |
| Kühlwasser                       | Cooling Water   | 22   | 250107           |
| Kühlwasser                       | Cooling Water   | 32   | 150104           |
| Kühlwasser                       | Cooling Water   | 32   | 150804           |
| Kühlwasser                       | Cooling Water   | 38   | 150105           |
| Kühlwasser                       | Cooling Water   | 38   | 150805           |
| Schutz                           | Protection      | 6,35   | 272875           |
| Vakuum                           | Vacuum          | 2  | 215027           |
| Vakuum                           | Vacuum          | 3  | 780985           |
| Vakuum                           | Vacuum          | 3,5  | 715027           |
| Vakuum                           | Vacuum          | 7,5  | 707028           |
| Vakuum                           | Vacuum          | 10   | 943028           |
| Waschwasser                      | Wash-Wipe       | 3,7  | 786040           |
| Waschwasser                      | Wash-Wipe       | 4,7  | 186040           |
| Wasser                           | Water           | 13   | 778845           |

|   |                        |          |  |                        |         |
|---|------------------------|----------|--|------------------------|---------|
| mtrclamp 1m metal strip, 9mm clamp                | <a href="#">109030</a> | 4,00 €   | Irgclamp Hose clamp 20-32mm, worm thread style               | <a href="#">750042</a> | 1,09 €  |
| Clamp spring steel 21mm                           | <a href="#">709399</a> | 1,45 €   | smclamp Hose clamp 24-32, worm thread style                  | <a href="#">999889</a> | 1,51 €  |
| mtrclamp Lock / winding clip for 9mm strap        | <a href="#">109835</a> | 2,84 €   | Fuel hose line, filter to feed-line                          | <a href="#">747028</a> | 6,94 €  |
| mtrclamp 1m metal strip, 9mm clamp                | <a href="#">109830</a> | 3,09 €   | smclamp Spring clamp fits 15mm Hose                          | <a href="#">747996</a> | 1,79 €  |
| smclamp Hose clamp 13mm                           | <a href="#">747997</a> | 1,99 €   | Irgclamp Hose clamp 46-54mm                                  | <a href="#">750346</a> | 1,08 €  |
| Irgclamp Clamp e.g. Water reservoir late          | <a href="#">999996</a> | 4,64 €   | mtrclamp product replaced: Lock / winding clip for 9mm strap | <a href="#">109035</a> | 2,09 €  |
| smclamp clamp, replaced by 747997                 | <a href="#">950013</a> | 0,60 €   | smclamp spring clamp 22mm                                    | <a href="#">997995</a> | 2,32 €  |
| smclamp Clips, wire @ body                        | <a href="#">998181</a> | 0,90 €   | smclamp Hose clamp 15mm                                      | <a href="#">947997</a> | 3,09 €  |
| smclamp clamp, fits e.g. 747004                   | <a href="#">999896</a> | 2,25 €   | hose clamp for diam. 11mm, stainless steel                   | <a href="#">999897</a> | 2,38 €  |
| Irgclamp Hose Clamp 80-100mm, fits air hose       | <a href="#">709204</a> | 1,32 €   | Hose V8 late, waterpump->intake, D42/L58                     | <a href="#">750605</a> | 5,80 €  |
| 1 m water hose i-D 42mm                           | <a href="#">750705</a> | 36,16 €  | 1m washer hose ID4mm   | <a href="#">986040</a> | 1,34 €  |
| Tube clamp  | <a href="#">142055</a> | 111,00 € | smclamp spring clamp 14mm                                    | <a href="#">747990</a> | 1,57 €  |
| Irgclamp Clamp, air hose                          | <a href="#">209004</a> | 2,77 €   | Irgclamp Clamp,insulation->intake ->'69                      | <a href="#">214004</a> | 6,99 €  |
| Spring band hose clamp 8.4 - 9.0                  | <a href="#">786044</a> | 0,65 €   | hose clamp 10mm  | <a href="#">747999</a> | 2,33 €  |
| Irgclamp Clamp,insulation->intake,'70->           | <a href="#">214024</a> | 4,90 €   | smclamp hose clamp, stainless steel, for 20mm                | <a href="#">997898</a> | 12,79 € |
| smclamp hose clamp 12mm                           | <a href="#">747992</a> | 1,32 €   | smclamp hose clamp 10-16, worm thread style                  | <a href="#">999888</a> | 1,84 €  |
| smclamp hose clamp 17mm                           | <a href="#">747993</a> | 1,32 €   | Double-wire hose clamp 7.8 - 8.3                             | <a href="#">186044</a> | 0,38 €  |
| smclamp Hoseclamp 12mm to 20mm, worm thread style | <a href="#">250042</a> | 2,07 €   | Irgclamp Hoseclamp 30 to 45mm                                | <a href="#">250046</a> | 1,25 €  |

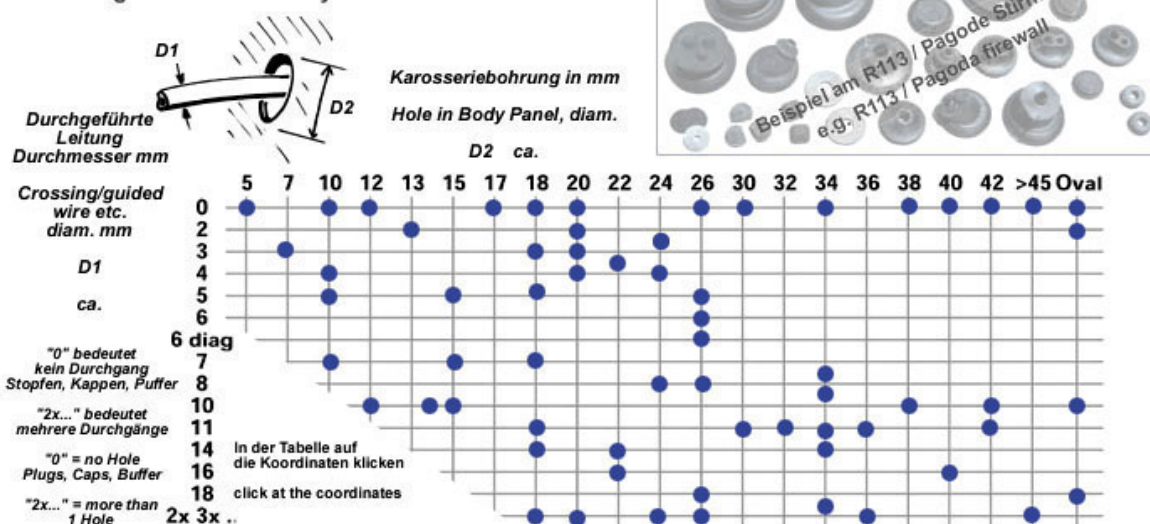
|         |  |                        |         |        |   |                        |         |
|---------|--|------------------------|---------|--------|---|------------------------|---------|
| smclamp | Hose clamp 18-27, worm thread style              | <a href="#">999898</a> | 4,11 €  | 150019 | 1m Water hose I/D 16mm                            | <a href="#">150019</a> | 15,17 € |
| 150104  | 1m waterhose 32x44mm                             | <a href="#">150804</a> | 29,64 € | 150104 | coolant hose 32/44, 1m, Continental               | <a href="#">150204</a> | 55,70 € |
| 150104  | 1m waterhose 32x44mm                             | <a href="#">150104</a> | 15,35 € | 150105 | 1m waterhose 38x46mm                              | <a href="#">150805</a> | 20,83 € |
| 150105  | coolant hose 38/50, 1m, Continental              | <a href="#">150205</a> | 61,24 € | 150105 | 1m waterhose I.D. 38 mm                           | <a href="#">150105</a> | 25,47 € |
| 186040  | Hose, w/washer, flex.,per metre                  | <a href="#">186040</a> | 1,84 €  | 215027 | Vacuum pipe, 2/4mm,per mtr                        | <a href="#">215027</a> | 1,82 €  |
| 247005  | 1m Fuel hose tank->pump 11/17mm, fabric          | <a href="#">247005</a> | 10,41 € | 247007 | 1m. Fuel hose 7,5x13,0 flat surface               | <a href="#">247007</a> | 8,50 €  |
| 247046  | 1 m Fuel hose, 4 x 10                            | <a href="#">247046</a> | 4,76 €  | 247047 | 1m Fuel hose 5,5mm e.g. 107-fuel vent.            | <a href="#">247847</a> | 3,92 €  |
| 247807  | 1m fuel hose 7,5x12,5 fabric surface             | <a href="#">247807</a> | 7,13 €  | 250016 | Water hose, 8/15mm per metre                      | <a href="#">250016</a> | 24,50 € |
| 250019  | Water hose, i/D 18mm per metre                   | <a href="#">250019</a> | 19,10 € | 250023 | 1m cooling water hose 12/19mm                     | <a href="#">250823</a> | 7,14 €  |
| 299020  | 1m oil hose pws-return line, i.d.15mm            | <a href="#">299020</a> | 28,75 € | 350016 | 1m water hose 15 x 24mm                           | <a href="#">350016</a> | 19,99 € |
| 715027  | Pipe, vacuum, per mtr.                           | <a href="#">715027</a> | 5,12 €  | 747027 | Fuel hose 13 x 20mm, plain mantle                 | <a href="#">747027</a> | 27,19 € |
| 747029  | 1m Fuel Hose 14/22mm                             | <a href="#">747029</a> | 37,28 € | 778845 | Water drain hose, sliding roof, div.              | <a href="#">778845</a> | 17,73 € |
| 780985  | 1 mtr vacuum hose                                | <a href="#">780985</a> | 3,39 €  | 786040 | Hose, w/washer, rein.,per metre                   | <a href="#">786040</a> | 2,50 €  |
| 799020  | 1m PWS oil return hose, 12/18,5mm, from ca. 8.74 | <a href="#">799020</a> | 34,50 € | 943028 | 1m rubber hose ID 10mm, 5mm wall                  | <a href="#">943028</a> | 32,78 € |
| 947046  | 1m fuel hose ID 7,5mm, surface(outer) fabric     | <a href="#">947046</a> | 4,99 €  | 947047 | 1m fuel hose ID 9mm, surface(outer) even, 3-layer | <a href="#">747046</a> | 8,09 €  |
| 947047  | 1m fuel hose ID 9mm, surface(outer) fabric       | <a href="#">947047</a> | 4,31 €  | 999020 | 1m power steering return hose                     | <a href="#">999020</a> | 14,99 € |

# 98.a Rubbergrommets sorted by design

98 Rubbergrommets sorted by design



## Gummitüllen sortiert nach Größe Rubbergrommets sorted by measures



|         |  |  |                   |         |  |  |                  |
|---------|--|--|-------------------|---------|--|--|------------------|
| d18mult | Two hole grommet, heater & choke cables                            | <a href="#">130005</a>                           | 3,05 €            | diam45  | Grommet, large, firewall 107                                     | <a href="#">798759</a>                             | 15,90 €          |
| d18d3   | Grommet 4/18mm, 1 hole   | <a href="#">798778</a>                           | 2,89 €            | diam40  | Grommet, acc linkage->firewall, Repro                            | <a href="#">798775</a>                             | 4,25 €           |
| d26d18  | Rubber grommet 22/26mm, ign leads, ...                             | <a href="#">798774</a>                           | 2,89 €            | d10d5   | Tube grommet, pump to reservoir                                  | <a href="#">798771</a>                             | 0,50 €           |
| oval    | rubber plug, oval shape, fits holes ca 38x18                       | <a href="#">798770</a>                           | 1,75 €            | diam40  | rubber grommet   | <a href="#">798769</a>                             | 0,71 €           |
| d42d11  | Grommet, angled, 18/25mm oval                                      | <a href="#">798765</a>                           | 9,97 €            | dia26   | Rubber plug, 22mm  | <a href="#">798763</a>                             | 7,82 €           |
|         | 116 997 3481 Rubber grommet  | <a href="#">798760</a>                           | 2,38 €            | d45mult | Grommet 17/53mm, multihole                                       | <a href="#">798757</a>                             | 5,80 €           |
| ov10    | Grommet, for wiring at heated rear window                          | <a href="#">798782</a>                           | 3,34 €            | d34d14  | Rubber grommet 13/34mm, diagonal                                 | <a href="#">798752</a>                             | 2,55 €           |
| diam12  | Rubber plug 12mm   | <a href="#">798746</a>                           | 1,44 €            | diam40  | Sealing disc, rubber 40,5 mm                                     | <a href="#">798184</a>                             | 1,13 €           |
| diam34  | Sealing disc, rbr. 34mm  | <a href="#">798154</a>                           | 1,65 €            | oval    | Rubber plug, oval 45 x 28mm                                      | <a href="#">598782</a>                             | 2,24 €           |
|         | Flex.drive shaft, speedom 220S/SE Ponton                           | <a href="#">454010</a>                           | 59,50 €           | d22d4   | Rubbergrommet 3,5/22mm, fuel vent rear                           | <a href="#">399028</a>                             | 5,63 €           |
| diam20  | Rubber, locking washer 20mm  | <a href="#">399016</a>                           | 1,31 €            | d20d4   | Grommet 4/20mm, 1 hole, drain                                    | <a href="#">399009</a>                             | 1,71 €           |
| d10d4   | Grommet, 4,5/10mm, cable@wheelarch                                 | <a href="#">182005</a>                           | 2,53 €            | diam10  | Rbr plug 10mm  | <a href="#">798781</a>                             | 1,17 €           |
| d13d2   | Grommet 2/13mm, 1 hole   | <a href="#">798784</a>                           | 2,89 €            | d34d7   | Rubber grommet 10 / 34 mm, e.g. wirings 111-114                  | <a href="#">398783</a>                             | 9,39 €           |
| d32     | Floor/Body Panel Plug - 32,5mm grommet, drain hose @ trunk sunroof | <a href="#">998782</a><br><a href="#">878099</a> | 4,25 €<br>19,99 € | diam10  | plug, plastic, closes 9.5mm holes rbr plug 32mm, rear wheel arch | <a href="#">298688</a><br><a href="#">R7098787</a> | 0,42 €<br>2,50 € |
|         | del-t: Rubber grommet e.g. roof hydr lining                        | <a href="#">999010</a>                           | 3,21 €            |         | del-t: Floor/Body Panel Plug - 13,5mm                            | <a href="#">998784</a>                             | 1,27 €           |



|         |  |                        |          |        |   |                        |         |
|---------|--|------------------------|----------|--------|---|------------------------|---------|
| ov16    | Rubbergrommet, e.g. heater feed line, oval D32x38/d16    | <a href="#">999003</a> | 4,08 €   |        | grommet, hose protection, e.g. fuel hose                    | <a href="#">798847</a> | 1,87 €  |
| d32d9   | Rubber grommet diagonal e.g. a/c lining                  | <a href="#">598785</a> | 8,54 €   | d26d3  | Rubber grommet 3/26 e.g. fuel tank vent pipe                | <a href="#">798860</a> | 1,87 €  |
|         | Plastic rivet plug, upholstery, carpet, ..               | <a href="#">999067</a> | 0,83 €   | d34d7  | Rubber grommet 8/34mm, diag                                 | <a href="#">798785</a> | 2,19 €  |
| d30d11  | Rubber grommet 11/30, blue silicon rubber                | <a href="#">299517</a> | 1,59 €   | d34d19 | Rubber grommet 19/34mm, eg Heater tube                      | <a href="#">799805</a> | 1,08 €  |
|         | Rest: Universal rubber plug selection, 450 pcs.          | <a href="#">999830</a> | 125,22 € | diam30 | Plug, oval, door rear face                                  | <a href="#">798851</a> | 1,18 €  |
| diam30  | Rubber plug universal, 30mm                              | <a href="#">968309</a> | 1,07 €   |        | Universal Cap, yellow, 30++, fits washer bag instead sender | <a href="#">799869</a> | 0,71 €  |
| d38d10  | Rubbergrommet, e.g:waterpipe                             | <a href="#">799004</a> | 9,97 €   | d40d16 | Rubbergrommet, heat.return Rt. or drain 108boot             | <a href="#">799003</a> | 13,01 € |
| ov10    | A1079973881 Grommet 10/58mm, 2 heater t                  | <a href="#">799002</a> | 8,43 €   | oval2  | plastic collar 13,5 / 11mm                                  | <a href="#">798789</a> | 2,38 €  |
| d10d7   | A0009976181 Rubbergrommet 7/10mm, blowe                  | <a href="#">398787</a> | 4,11 €   | dia26  | rbr plug/shim 26mm  | <a href="#">398788</a> | 1,38 €  |
| d26d18  | Rubbergrommet 19/26mm                                    | <a href="#">398782</a> | 2,89 €   | diam5  | rubber pad glove box  | <a href="#">199027</a> | 7,98 €  |
| diam10  | see 298688   | <a href="#">298788</a> | 0,40 €   | d26d5  | Rubbergrommet 5/26mm  | <a href="#">398781</a> | 2,68 €  |
| d18d14  | Grommet,14/18, bulkhead, generator wire                  | <a href="#">298784</a> | 2,59 €   | diam5  | Rubber buffer 5mm,121,113,10                                | <a href="#">298066</a> | 0,89 €  |
| d12d10  | Grommet for oilpipe, autom.                              | <a href="#">227059</a> | 2,96 €   | d26d8  | Rubbergrommet 8/26, booster/battery 190SL                   | <a href="#">199081</a> | 3,61 €  |
| d24mult | Grommet, two hole, 5/24, for fuel tank ventilation, rest | <a href="#">199028</a> | 5,26 €   | d36d11 | Rubber grommet 10/35, flex-shaft/frame                      | <a href="#">199026</a> | 8,68 €  |
| d10d5   | Rubber grommet 5/10 heating                              | <a href="#">298875</a> | 0,40 €   | d15d10 | Rubber grommet 10/15, taillight bucket 190SL, 107           | <a href="#">199020</a> | 1,08 €  |
| d22d14  | Rubber grommet, rear wire harness, 16/22                 | <a href="#">199018</a> | 2,18 €   | d42d11 | Rubber grommt 10/42, starter/generator wire                 | <a href="#">199014</a> | 2,75 €  |
| d18d3   | Rubber grommet 3/18, 121,113,107 and other               | <a href="#">199010</a> | 1,67 €   | d15d7  | Rubbergrommet 7/15mm, air duct, hornwir                     | <a href="#">199009</a> | 2,31 €  |
| d20mult | Grommet 3 cable 3/20                                     | <a href="#">199008</a> | 1,23 €   | diam5  | Rubber plug, e.g. drain holes ca. 8mm                       | <a href="#">198005</a> | 1,55 €  |
| diam42  | Sealing disc, rbr. 42mm, ref.-No. A1009870044            | <a href="#">298790</a> | 2,26 €   | d12d6  | Rubbergrommet id6,5 ad 12, div support bracket pins         | <a href="#">799802</a> | 1,17 €  |
| d34d14  | Rubber grommet   | <a href="#">299005</a> | 2,59 €   | d32    | Rubber plug 32mm  | <a href="#">398780</a> | 1,44 €  |
| d26d6   | Grommet 6/26   | <a href="#">299819</a> | 3,15 €   | 1      | Grommet, 6/27mm,45° hydr.line clutch                        | <a href="#">298787</a> | 2,82 €  |
| 1       | Grommet 6/26, 45°, e.g. hydr-line clutc                  | <a href="#">299001</a> | 2,68 €   | 2      | Rubbergrommet at firewall                                   | <a href="#">299002</a> | 3,05 €  |
| 3       | Rubber grommet, inlet                                    | <a href="#">299003</a> | 3,55 €   | 4      | Rubber grommet, return                                      | <a href="#">299004</a> | 0,50 €  |
| 6       | Grommet,acc. Pedal,bulkhead                              | <a href="#">299006</a> | 4,19 €   | 7      | Grommet,cable,bulkhead 17/40                                | <a href="#">299007</a> | 3,05 €  |
| 9       | Rbr grommet ../24,2 hole, revcables, oil/temp-pipe       | <a href="#">299009</a> | 3,61 €   | 11     | Rbr grommet,7/10,113 washpipe,121 boot                      | <a href="#">299011</a> | 1,08 €  |
| 12      | Grommet, 5/25,bulkhead                                   | <a href="#">299012</a> | 2,09 €   | 15     | Rubber grommet 3 way, bonnet cable                          | <a href="#">298778</a> | 3,55 €  |
| 18      | Rubber ring, wiper motor                                 | <a href="#">282407</a> | 0,77 €   | 19     | Rubber ring, repl., w/s wiper shaft                         | <a href="#">282247</a> | 1,59 €  |
| 22      | Grommet,multiple holes, /35                              | <a href="#">298789</a> | 3,05 €   | 23     | Grommet,multihole 27mm                                      | <a href="#">798777</a> | 2,59 €  |
| 27      | Rubber grommet 11/30, bulkh(190),107,..                  | <a href="#">299017</a> | 1,59 €   | 31     | Grommet, rubber, 2 piece ../25mm                            | <a href="#">399011</a> | 3,61 €  |
| 33      | Ball Grommet for Bulkhead Drainage Pipes                 | <a href="#">283032</a> | 25,75 €  | 35     | Boot,bulkhead,brake push rod, 113 LHD                       | <a href="#">229018</a> | 13,01 € |
| 42      | Rubbergrommet, firewall, square                          | <a href="#">299026</a> | 3,32 €   | 43     | Rubber plug 10mm, see pict                                  | <a href="#">298781</a> | 1,12 €  |
| 45      | Rbr plug 17,5mm  | <a href="#">398995</a> | 1,17 €   | 45     | Rubber plug instead clutchline                              | <a href="#">298786</a> | 0,73 €  |
| 45      | rubber disc 18mm   | <a href="#">798153</a> | 2,01 €   | 45     | Plug, 32mm, e.g. boot, ..Repro                              | <a href="#">268309</a> | 1,81 €  |
| 45      | Rubber plug, 20mm  | <a href="#">298780</a> | 0,94 €   | 45     | Floor/Body Panel Plug - 26mm                                | <a href="#">298782</a> | 1,30 €  |
| 48      | Closing disc   | <a href="#">298045</a> | 6,68 €   | 49     | Floor/Body Panel Plug, 6mm                                  | <a href="#">998781</a> | 2,14 €  |
| 49      | Buffer, conical shape, boot lid div.                     | <a href="#">398043</a> | 1,65 €   | 52     | threaded plug, belt holes                                   | <a href="#">799899</a> | 1,18 €  |

## 98.b frequently required screws for equipment

98.b frequently required screws



### Häufig gefragte Ausrüstungs-Schrauben - Frequently required screws for equipment

Ist Ihr gesuchtes Teil nicht dabei?  
Mailen Sie uns ganz einfach ein Foto der Schraube  
und ein Foto mit der Einbau-Umgebung

Can't find the required item?  
Just send a photo of the screw and  
a photo of the surrounding area

|  |                        |        |  |                        |        |
|--|------------------------|--------|--|------------------------|--------|
| hex. socket pipe plug with taper fine pitch thread   | <a href="#">101005</a> | 1,90 € | Blechschrabe verzinkt                                  | <a href="#">983821</a> | 0,17 € |
| N00000000460 Rest: Panelling screw 4,8 x 14          | <a href="#">999933</a> | 1,19 € | BlechSen Senkschraube LiKo VA, 4,2 x 16 kLinse         | <a href="#">999932</a> | 0,56 € |
| BlechSen Linsensenkschraube 2,9 x 19 kLinse          | <a href="#">999931</a> | 0,24 € | rest: panelling screw N9140310052                      | <a href="#">999899</a> | 2,88 € |
| teethed washer 4,3mm                                 | <a href="#">999037</a> | 0,13 € | Panhead screw, hexalobular socket M6 X 16              | <a href="#">998999</a> | 0,48 € |
| Nut, square, M8, e.g. drive shaft hanger             | <a href="#">990998</a> | 0,96 € | MaschSe Bolt slot head M5 x 16 A4, e.g.Lic- nkKreuz    | <a href="#">988999</a> | 0,83 € |
| BlechSen tapping screw zinc plated 3,9 X 13 kLinse   | <a href="#">988871</a> | 0,12 € | PA washer M4 x 9                                       | <a href="#">982359</a> | 0,12 € |
| BlechSen Screw countersunk, 3,9 x 22 kLinse          | <a href="#">999994</a> | 2,28 € | Screw, e.g. lic-lamp                                   | <a href="#">982358</a> | 0,20 € |
| Hex-nut M2,5   | <a href="#">980887</a> | 0,64 € | MaschSe Bolt M6 x 14, Phillips nkKreuz                 | <a href="#">977021</a> | 0,36 € |
| milled nut M4, as illustrated                        | <a href="#">954197</a> | 1,02 € | hex. flange bolt M8 X 60 @ Y-tube                      | <a href="#">949048</a> | 0,81 € |
| Schraube M12x90, ersetzt 122037                      | <a href="#">922037</a> | 3,61 € | Hex nut M10 metric, flat style                         | <a href="#">915058</a> | 1,90 € |
| Hex bolt M8 x 30                                     | <a href="#">915057</a> | 1,14 € | Hex. socket head cap screw, low head, zinc plated M4X6 | <a href="#">882013</a> | 0,21 € |
| Selbstsichernde Mutter M6                            | <a href="#">999991</a> | 0,32 € | Self tapping screw, zinc plated                        | <a href="#">999981</a> | 0,24 € |
| Schraube M10x20 feuerverz.                           | <a href="#">799949</a> | 1,75 € | Bolt M6 valve covers 350/450                           | <a href="#">701359</a> | 0,82 € |
| BlechSen Chrome screw, handle at wood kLinse         | <a href="#">177018</a> | 4,11 € | cheese head screw zinc plated M8 X 20                  | <a href="#">188886</a> | 0,69 € |
| Washer 7,4, zinc plated                              | <a href="#">199141</a> | 0,17 € | Grub screw, locking is missing                         | <a href="#">270822</a> | 0,96 € |
| MaschSe M6 x16 bolt, counter sunk head nkKreuz       | <a href="#">277267</a> | 7,46 € | MaschSe M6 x12 bolt, counter sunk head nkKreuz         | <a href="#">277266</a> | 7,46 € |
| DIN91, chromed                                       |                        |        | spring bushing, e.g. intake seal fixture               | <a href="#">714359</a> | 0,69 € |
| Seal ring 14mm copper                                | <a href="#">207886</a> | 1,08 € | In hex cyl bolt 12.9, M10x50                           | <a href="#">705103</a> | 1,82 € |
| MaschSe M5 chrome bolt PH, e.g. licence nkKreuz      | <a href="#">988998</a> | 2,20 € | plates   |                        |        |
| raised countersunk head self-tapping screw 2,9 X 9,5 | <a href="#">999983</a> | 0,32 € | cylindrical bolt 8 x 12, cam stands, crank frt         | <a href="#">299917</a> | 0,69 € |

|  |                        |          |   |                        |          |
|--|------------------------|----------|---|------------------------|----------|
| BleChSec Screw 4,8 x 10 Hex 8<br>hskant                                  | <a href="#">799844</a> | 0,63 €   | hex nut M14 X 1,5   | <a href="#">733032</a> | 1,44 €   |
| serrated lock washer, internal teeth,<br>zinc plated 17mm                | <a href="#">186049</a> | 1,00 €   | Nut, M16 x 1.5 , foot pump to<br>bracket                                | <a href="#">186048</a> | 1,69 €   |
| MaschSe Chromed countersunk screw M10 x<br>nkKreuz 25 DIN 91             | <a href="#">191022</a> | 10,46 €  | MaschSe Chromed countersunk screw M10 x<br>nkKreuz 20 DIN 91            | <a href="#">191021</a> | 10,46 €  |
| Split pin 3x36   | <a href="#">133059</a> | 0,18 €   | Bolt M8 x 45  | <a href="#">149069</a> | 1,14 €   |
| MaschSe Screw M5 X 12<br>nkKreuz   | <a href="#">299288</a> | 0,50 €   | sunk_shi Counter sunk shim fits screws up to<br>m 3mm                   | <a href="#">872990</a> | 0,60 €   |
| Bolt M8 x 16 zincd   | <a href="#">799947</a> | 1,02 €   | hex. head screw zinc plated M10 X<br>22                                 | <a href="#">188884</a> | 0,69 €   |
| Bolt M5  | <a href="#">769859</a> | 0,70 €   | Washer M8 x 24 zincd  | <a href="#">799095</a> | 0,70 €   |
| Washer eg wing to A-pillar   | <a href="#">798148</a> | 0,33 €   | Screw 3,9 x 19 e.g. Bonnet-rubber                                       | <a href="#">788609</a> | 0,32 €   |
| BleChLins Screw, e.g. Headlamp to Wing<br>eFlach                         | <a href="#">788081</a> | 0,88 €   | Nut, wiper arm to gear  | <a href="#">782242</a> | 0,64 €   |
| Cotter pin 1,6 x 16  | <a href="#">780888</a> | 0,12 €   | Screw, door catch surround M4 x<br>10                                   | <a href="#">777029</a> | 1,90 €   |
| MaschSe Screw, 6x16 e.g. door catch, ..<br>nkKreuz                       | <a href="#">777021</a> | 1,24 €   | Screw, M4 Phillips, e.g boot handle                                     | <a href="#">775899</a> | 0,19 €   |
| BleChSen screw countersunk PH 2,9x13<br>kLinse stainless                 | <a href="#">769179</a> | 0,24 €   | Bolt M5 x 40 eg. FP-support   | <a href="#">799847</a> | 0,56 €   |
| M5 riveted nut eg lic-plate  | <a href="#">764099</a> | 0,64 €   | Bolt M8 V8 early cross pipe frt<br>exhaust                              | <a href="#">749348</a> | 0,64 €   |
| Locking shim, M8 bolts   | <a href="#">746299</a> | 0,38 €   | Washer 13mm e.g. prop shaft disc<br>bolts                               | <a href="#">741122</a> | 0,50 €   |
| Nut, wheel link rear   | <a href="#">735164</a> | 3,82 €   | fine threat screw, steering arm to<br>steering nuckle                   | <a href="#">733978</a> | 0,93 €   |
| Front Upper Suspension Arm Bolt  | <a href="#">733929</a> | 3,20 €   | Self locking nut M12 X 1,5  | <a href="#">733113</a> | 1,93 €   |
| Plug screw M8 x 1  | <a href="#">720319</a> | 1,64 €   | Nut M8, copper, hex 13  | <a href="#">714008</a> | 2,30 €   |
| Milled nut, pws reservoir  | <a href="#">799462</a> | 1,50 €   | Washer 10,5 x 30 x 2,5  | <a href="#">799889</a> | 0,54 €   |
| bolt M6x12, hot-dipped, skirt  | <a href="#">799945</a> | 1,02 €   | BleChLins Screw<br>eFlach   | <a href="#">799931</a> | 0,24 €   |
| Bolt, M8 x 12 zincd  | <a href="#">799942</a> | 1,07 €   | Washer 6,4 x 11   | <a href="#">799941</a> | 0,31 €   |
| Shim 4,3x8   | <a href="#">799939</a> | 0,19 €   | BleChSec panelling screw Hex8, e.g. bumper<br>hskant 12 frt / 26 rr     | <a href="#">799938</a> | 0,32 €   |
| BleChLins Tapping screw Phillips 4,2x9,5<br>eFlach                       | <a href="#">799936</a> | 0,15 €   | BleChSen Counter sunk screw 3,5x9,5,eg<br>kFlach glove box              | <a href="#">799935</a> | 2,80 €   |
| BleChSen Counter sunk screw 2,8 x 22<br>kLinse                           | <a href="#">799934</a> | 1,81 €   | BleChLins Panelling screw 4,8 x 13<br>eFlach                            | <a href="#">799933</a> | 0,32 €   |
| BleChSen Counter sunk screw 4,2x14,<br>kLinse industrial chromed         | <a href="#">799932</a> | 0,58 €   | BleChSec Counter sunk screw, eg wing to rail<br>hskant                  | <a href="#">799930</a> | 0,39 €   |
| Waved spring washer M8   | <a href="#">799911</a> | 0,18 €   | BleChSen Screw<br>kFlach  | <a href="#">799929</a> | 0,38 €   |
| BleChSen Screw, interior mirror<br>kFlach                                | <a href="#">799928</a> | 0,50 €   | BleChSen Screw, countersunk, 3,5 door-chr.<br>kLinse                    | <a href="#">799927</a> | 1,14 €   |
| BleChSec Panelling screw SW10 6,2x20<br>hskant                           | <a href="#">799924</a> | 0,88 €   | Nut M6 zincd  | <a href="#">799920</a> | 2,15 €   |
| Hex Nut, M4  | <a href="#">799919</a> | 0,20 €   | Spring washer M4, e.g. trim fixing                                      | <a href="#">799918</a> | 0,12 €   |
| Mutter M2,5  | <a href="#">799916</a> | 0,12 €   | Washer 6,5 x 13   | <a href="#">799915</a> | 0,17 €   |
| Washer 6,4 x 11 zinc plated  | <a href="#">799914</a> | 0,12 €   | hex nut M10 (hex17), hot zincd  | <a href="#">199148</a> | 0,57 €   |
| screw M8   | <a href="#">232026</a> | 0,56 €   | Seal ring f. bolt 705004  | <a href="#">705005</a> | 0,68 €   |
| Washer large diameter. 6mm<br>galvanized                                 | <a href="#">990113</a> | 0,03 €   | Set of chrome screws 419 pcs for<br>bucket seat car                     | <a href="#">191112</a> | 749,99 € |
| Set of chrome screws 395 pcs   | <a href="#">191111</a> | 789,99 € | Chrome nut, hub spoke ->67 horn<br>push                                 | <a href="#">246215</a> | 13,09 €  |
| hex. head bolt grade8.8 yellow zinc<br>plated M12X90                     | <a href="#">115249</a> | 2,33 €   | hex.head bolt grade 8.8 M12 X 75<br>zinc plated                         | <a href="#">115248</a> | 2,01 €   |
| Bolt M12 x 80, e.g. Starters up to<br>1957                               | <a href="#">115044</a> | 2,06 €   | BleChSen Pan head tapping screw 2,9X6,5<br>kLinse zinc plated           | <a href="#">299049</a> | 0,06 €   |
| sunk_shi countersunk washer<br>m   | <a href="#">999041</a> | 3,95 €   | Self-tapping screw 4.2 x 32<br>galvanized, countersunk lens head        | <a href="#">999984</a> | 0,15 €   |
| Washer large diameter. 5mm<br>galvanized                                 | <a href="#">990112</a> | 0,03 €   | parallel pin 10 X16, tolerance m6                                       | <a href="#">299915</a> | 1,01 €   |
| Washer large diameter. 4mm<br>galvanized                                 | <a href="#">990111</a> | 0,03 €   | MaschSe Phillips screw, countersunk head,<br>nkKreuz M6 x 16            | <a href="#">990110</a> | 0,28 €   |
| MaschSe Phillips screw, half-round head, M6<br>nkKreuz x 16              | <a href="#">990109</a> | 0,34 €   | MaschSe Phillips screw, half-round head, M4<br>nkKreuz x 16             | <a href="#">990108</a> | 0,21 €   |
| MaschSe Phillips screw, semicircular head,<br>nkKreuz M4 x 10            | <a href="#">990107</a> | 0,18 €   | BleChSen Sheet metal screw countersunk<br>kLinse head 2.9X13 galvanized | <a href="#">990106</a> | 0,06 €   |
| BleChSen Sheet metal screw countersunk<br>kLinse head 2,9X9,5 galvanized | <a href="#">990105</a> | 0,15 €   | BleChLins Self-tapping screw with spigot 4.2<br>eFlach X16 galvanized   | <a href="#">990104</a> | 0,06 €   |

|  |                          |          |   |                          |          |
|--|--------------------------|----------|---|--------------------------|----------|
| Blechlins Self-tapping screw with Phillips 4.2 | <a href="#">990103</a>   | 0,07 €   | BlechSec Sheet metal screw with hexagon     | <a href="#">990102</a>   | 0,20 €   |
| eFlach X13 galvanized                          |                          |          | hskant 5.5 X 13 galvanized                  |                          |          |
| parallel pin 8 X 16                            | <a href="#">299916</a>   | 0,88 €   | BlechSen raised countersunk head tapping    | <a href="#">798981</a>   | 2,25 €   |
| Hexagon nut 10 M6, galv. Verz.                 | <a href="#">990100</a>   | 0,12 €   | kLinse screws, chrome plated 4,8X19         |                          |          |
| panhead tapping screw 6,3 X 22                 | <a href="#">799721</a>   | 0,14 €   | hex. socket head cap screw M6X30            | <a href="#">299052</a>   | 0,34 €   |
| dummy pin, chrome plated 22mm                  | <a href="#">988106</a>   | 2,62 €   | zinc plated                                 |                          |          |
| head   |                          |          | Blechlins Pan head screws with collar, with | <a href="#">754435</a>   | 0,38 €   |
| set screw set chrome plated 300SEL             | <a href="#">898109</a>   | 292,00 € | eFlach screw thread for plastic             |                          |          |
| 6,3 238pcs.                                    |                          |          | dummy pin, chrome plated 12mm               | <a href="#">988105</a>   | 2,31 €   |
| tapping hex.head screw 6,3 X 19                | <a href="#">288559</a>   | 0,60 €   | head  |                          |          |
| hex. socket head cap screw                     | <a href="#">299053</a>   | 0,22 €   | BlechSen Screw countersunk, 3,9 x 22        | <a href="#">999985</a>   | 0,46 €   |
| M6X18, zinc plated                             |                          |          | kLinse                                      |                          |          |
| BlechSen raised countersunk head tapping       | <a href="#">798982</a>   | 2,25 €   | Panelling screw, e.g. lower eng             | <a href="#">R7099925</a> | 1,09 €   |
| kLinse screw, chrome plated, 4,8x25            |                          |          | comp covering                               |                          |          |
| plastic washer PA 3,2                          | <a href="#">882015</a>   | 0,15 €   | countersunk head srew M4X8, zinc            | <a href="#">276098</a>   | 0,12 €   |
| BlechSen raised countersunk head tapping       | <a href="#">272727</a>   | 1,05 €   | plated                                      |                          |          |
| kLinse screw chrome plated 2,9X9,5             |                          |          | countersunk head screw M3X8                 | <a href="#">276099</a>   | 0,41 €   |
| Blechlins pan head tapping screw w. Phillips   | <a href="#">798806</a>   | 0,30 €   | stainless steel, door lock                  |                          |          |
| eFlach cross and flat end 3,5X25               |                          |          | MaschSe Countersunk head screw M5X10        | <a href="#">798032</a>   | 0,15 €   |
| stud M8 X 25 for manifold                      | <a href="#">714993</a>   | 3,05 €   | nkKreuz R107 Softtop                        |                          |          |
| blind rivets zinc plated flat head 4 X         | <a href="#">782819</a>   | 0,15 €   | BlechSen Counter sunk screw 4,2x13,         | <a href="#">799832</a>   | 1,45 €   |
| 10   |                          |          | kLinse chrome plated                        |                          |          |
| Brass disc 6mm                                 | <a href="#">754968</a>   | 0,21 €   | MaschSe screw M3, plate above column        | <a href="#">799468</a>   | 0,31 €   |
| Split pin 5 X 45, eg castle nuts               | <a href="#">246213</a>   | 0,43 €   | nkKreuz contact assy                        |                          |          |
| steering                                       |                          |          | hex head screw M10 X 90 zinc                | <a href="#">758805</a>   | 1,46 €   |
| washer 4,3 X 12 X 1                            | <a href="#">799890</a>   | 0,14 €   | plated                                      |                          |          |
| Blechlins screw for electric set mounting      | <a href="#">782843</a>   | 0,31 €   | Hexagonal nut 10 M8, galv. Verz.            | <a href="#">990101</a>   | 0,15 €   |
| eFlach   |                          |          | see 154089 or 999909 or 799462              | <a href="#">299469</a>   | 1,57 €   |
| hex. socket head cap screw, zinc               | <a href="#">109009</a>   | 0,81 €   | washer 5,3 X 15 X 1,2                       | <a href="#">799891</a>   | 0,15 €   |
| plated yellow, M8 X 30                         |                          |          | Blechlins Pan head tapping screw, zinc      | <a href="#">799937</a>   | 0,32 €   |
| Screw M5 X 8 zinc plated                       | <a href="#">299888</a>   | 0,50 €   | eFlach plated, 4,8 X 19                     |                          |          |
| pin 2,5 m6 X 6                                 | <a href="#">233750</a>   | 0,31 €   | hex. socket head cap screw, zinc            | <a href="#">109008</a>   | 1,99 €   |
| Hex. bolts zinc plated, M8 X 65                | <a href="#">749850</a>   | 1,21 €   | plated, M8 X 28                             |                          |          |
| Hex. bolts zinc plated, M8 X 60                | <a href="#">749849</a>   | 1,21 €   | rivet, brass, 4 X 6                         | <a href="#">799940</a>   | 0,19 €   |
| set complete screw set, chrome plated,         | <a href="#">799334</a>   | 271,86 € | Screw, door catch surround M4 x             | <a href="#">777829</a>   | 0,69 €   |
| R107, '85-                                     |                          |          | 10 crome plated                             |                          |          |
| set complete screw set, chrome plated          | <a href="#">399234</a>   | 587,86 € | plastic washer 3,2 for electric set         | <a href="#">782873</a>   | 0,14 €   |
| set complete screw set, chrome plated          | <a href="#">299233</a>   | 399,90 € | mounting                                    |                          |          |
| Blechlins lens head screw chromed, 2,9x6,5,    | <a href="#">169007</a>   | 1,07 €   | Washer 10,5mm                               | <a href="#">214108</a>   | 0,26 €   |
| eFlach DIN 7981                                |                          |          | set complete screw set, chrome plated,      | <a href="#">799335</a>   | 296,44 € |
| Brass disc 5mm                                 | <a href="#">754967</a>   | 0,16 €   | C107, all SLC models                        |                          |          |
| washer 10,5 stainless steel                    | <a href="#">788908</a>   | 0,36 €   | set complete screw set, chrome plated,      | <a href="#">799333</a>   | 290,11 € |
| Washer,waved shape,M5, stainless               | <a href="#">788904</a>   | 0,31 €   | R107, '72-'85                               |                          |          |
| steel  |                          |          | set complete screw set, chrome plated       | <a href="#">399233</a>   | 515,90 € |
| Screw, M4X6 Phillips, e.g switch               | <a href="#">799546</a>   | 0,24 €   | Countersunk screw, lock frame,              | <a href="#">275265</a>   | 0,39 €   |
| Nut, square, M6                                | <a href="#">R7090998</a> | 0,26 €   | zinc plated                                 |                          |          |
| nut M6 w. flange, zinc plated                  | <a href="#">799913</a>   | 0,37 €   | Hex bolt e.g. pulley, 10.9 M8x22            | <a href="#">703374</a>   | 0,51 €   |
| In-Hex bolt e.g. pulley, 10.9 M8x65            | <a href="#">203274</a>   | 1,33 €   | washer, stainless steel 6,4                 | <a href="#">788822</a>   | 0,19 €   |
| Castle nut M10X1, thin shape, early            | <a href="#">133706</a>   | 2,45 €   | hex nut M5, stainless steel                 | <a href="#">788920</a>   | 0,32 €   |
| joint  |                          |          | nut M8 w. flange, zinc plated               | <a href="#">799813</a>   | 0,55 €   |
| hex head screw M12 X1,5 X 45,                  | <a href="#">233116</a>   | 2,08 €   | BlechSec hex. head tapping screw 4,8X25,    | <a href="#">899938</a>   | 0,29 €   |
| e.g. cross strut                               |                          |          | hskant clamps at firewall                   |                          |          |
| Blechlins panhead tapping screw 4,8 X 13       | <a href="#">788206</a>   | 0,30 €   | hex. cap nut, 1.4305, M8                    | <a href="#">701819</a>   | 1,99 €   |
| eFlach   |                          |          | hex nut, stainless steel M8                 | <a href="#">788820</a>   | 0,76 €   |
| washer 8,4 stainless steel                     | <a href="#">349819</a>   | 0,35 €   | hex nut, stainless steel M6                 | <a href="#">788821</a>   | 0,43 €   |
| Screw, M4 Phillips                             | <a href="#">299546</a>   | 0,20 €   | hex head screw 10.9 zinc plated             | <a href="#">233146</a>   | 1,23 €   |
| Bolt 6x16 e.g. pan, in-hex                     | <a href="#">701319</a>   | 0,48 €   | M10X1X40, eg. steering damper               |                          |          |
| sealing ring, aluminium 30mm                   | <a href="#">215032</a>   | 0,81 €   | Blechlins panhead tapping screw 4,2 X 16    | <a href="#">788381</a>   | 0,18 €   |
|  |                          |          | eFlach                                      |                          |          |
|  |                          |          | Bolt A2 M5X12, frt grille mouldings,        | <a href="#">788207</a>   | 0,74 €   |
|  |                          |          | ..  |                          |          |
|  |                          |          | Hex Bolt stainless steel, M8 X 30           | <a href="#">349818</a>   | 0,49 €   |
|  |                          |          | locking shim, acc link mounts               | <a href="#">707277</a>   | 1,36 €   |
|  |                          |          | Cylinder head bolt 105mm for                | <a href="#">101105</a>   | 5,99 €   |
|  |                          |          | engine M121 921,127,129,130                 |                          |          |
|  |                          |          | Bolt, eng.mounting/chassis                  | <a href="#">222004</a>   | 0,64 €   |

|                 |  |                        |         |   |                        |         |
|-----------------|--|------------------------|---------|---|------------------------|---------|
|                 | Seal ring, copper , id 30                                      | <a href="#">220118</a> | 1,05 €  | Bolt M6, yellow zinced, thermo.housing                  | <a href="#">220017</a> | 0,29 €  |
|                 | Hollow screw,early M16X1,5                                     | <a href="#">220012</a> | 6,69 €  | hex bolt M6 X 75 e.g. for oilpump, late version         | <a href="#">218498</a> | 1,02 €  |
|                 | Hex.bolt M6X50 e.g. for oilpump                                | <a href="#">218497</a> | 0,76 €  | screw M6x22   | <a href="#">218496</a> | 0,21 €  |
|                 | Federscheibe M6 unbeschichtet                                  | <a href="#">218495</a> | 0,12 €  | woodruff key W4 H5                                      | <a href="#">215077</a> | 0,88 €  |
|                 | Cap, throttle flap shaft                                       | <a href="#">214074</a> | 55,22 € | Bolt, engine support/mounting                           | <a href="#">222007</a> | 1,49 €  |
|                 | Washer 2mm, thick, exh-manif, bumpers .                        | <a href="#">214008</a> | 0,56 €  | Seal ring 14mm Alu                                      | <a href="#">207186</a> | 1,08 €  |
|                 | Sealing ring   | <a href="#">207149</a> | 0,88 €  | Bolt "long", pipe mounts (M5x30)                        | <a href="#">207030</a> | 1,76 €  |
|                 | woodruff key, standard, 4mm                                    | <a href="#">205077</a> | 1,00 €  | cylinder head bolt 114mm, M12                           | <a href="#">201114</a> | 6,44 €  |
|                 | Hexagon socket pipe plugs with taper fine pitch thread M30X1,5 | <a href="#">201005</a> | 4,88 €  | Washer 13x20x2 zinced                                   | <a href="#">199142</a> | 0,32 €  |
|                 | spring lock washer for cheese head screws 6mm, zinc plated     | <a href="#">199096</a> | 0,08 €  | Nut, 5mm, right hand thread                             | <a href="#">199095</a> | 0,24 €  |
|                 | Spring washer  | <a href="#">222005</a> | 0,44 €  | Bolt engine mount rear                                  | <a href="#">222024</a> | 1,54 €  |
| sunk_shim       | countersunk washer fits e.g. screws 2,9                        | <a href="#">199021</a> | 0,51 €  | hex.head screw M12 X 1,5 X 90, cross member             | <a href="#">233063</a> | 1,80 €  |
|                 | Bolt, M8x35, fits drag links                                   | <a href="#">233199</a> | 0,44 €  | spring washer B16 mechanical zinc plated                | <a href="#">233108</a> | 1,26 €  |
|                 | Bolt, strut to frt axle,M16x80                                 | <a href="#">233106</a> | 2,56 €  | Washer 15mm   | <a href="#">233104</a> | 0,76 €  |
|                 | Spring washer M14  | <a href="#">233103</a> | 0,50 €  | hex nut M10 X 1, prevailing torque type, tie rod end    | <a href="#">233094</a> | 1,51 €  |
|                 | hex. socket head cap screw 10.9 M6 X 20,                       | <a href="#">233076</a> | 1,08 €  | Screw W108 front cross member                           | <a href="#">233067</a> | 0,43 €  |
|                 | Bolt 8x22, clutch plate  | <a href="#">233064</a> | 0,37 €  | galvanized Spring washer M8                             | <a href="#">233059</a> | 0,21 €  |
|                 | Screw engine mount rear  | <a href="#">222025</a> | 0,80 €  | hex nut M12 X 1,5 zinc plated class 10                  | <a href="#">233046</a> | 1,58 €  |
|                 | M12 DIN 127 lock washer  | <a href="#">233042</a> | 0,39 €  | Hex nut M10 fine, e.g. shock-absorber                   | <a href="#">232989</a> | 0,70 €  |
|                 | Hex bolt, damper-> rr axle                                     | <a href="#">232988</a> | 0,56 €  | spring type straight pin 4 X 18                         | <a href="#">230007</a> | 0,51 €  |
|                 | Nut, 5mm Lt. Hd. Threads                                       | <a href="#">230006</a> | 0,83 €  | Seal ring 10x13,5, Alu, e.g. sender, hollow bolts       | <a href="#">227023</a> | 0,50 €  |
|                 | Bolt M7, e.g. gear lever from VIN ..42-10-004926               | <a href="#">226034</a> | 0,96 €  | Nut M7, self locking                                    | <a href="#">226024</a> | 1,24 €  |
|                 | galvanized M8 Nut   N004032008005                              | <a href="#">222026</a> | 0,21 €  | spring ring for M5 head screws                          | <a href="#">199041</a> | 0,10 €  |
| MaschSe nkKreuz | slotted raised countersunk head screw M4 X 8                   | <a href="#">198025</a> | 0,35 €  | Locking Nut, cross strut near axle                      | <a href="#">235227</a> | 1,94 €  |
|                 | bolt, M7 e.g. buffer 132016                                    | <a href="#">132036</a> | 0,38 €  | Nut M8  | <a href="#">142155</a> | 0,50 €  |
|                 | Spring washer M7   | <a href="#">142152</a> | 0,18 €  | Screw plug @ booster face                               | <a href="#">142099</a> | 5,80 €  |
|                 | Split pin 2,5 x 16   | <a href="#">142091</a> | 0,18 €  | Split pin 3x22  | <a href="#">142089</a> | 0,12 €  |
|                 | Bolt, prop.shaft flange (2x6 req)                              | <a href="#">141016</a> | 13,73 € | Nut M7  | <a href="#">135305</a> | 0,50 €  |
|                 | Rear axle nut M22x1.5  | <a href="#">135006</a> | 1,49 €  | Split pin 2,5 x 25, fits crown nuts seering linkage     | <a href="#">133007</a> | 0,24 €  |
|                 | Cotter pin 1,5 x 15  | <a href="#">126824</a> | 0,12 €  | Spring washer M6  | <a href="#">142158</a> | 0,15 €  |
|                 | Screw engine mount M12 x 45                                    | <a href="#">122009</a> | 0,82 €  | sealing ring copper 32                                  | <a href="#">120033</a> | 1,31 €  |
|                 | Nut, M10, exh manifold   | <a href="#">114008</a> | 1,25 €  | Screw M6x18 e.g. Filter box 190SL,bonnets, ..           | <a href="#">109024</a> | 0,38 €  |
|                 | Seal ring 18x22 Al   | <a href="#">109019</a> | 0,94 €  | toothed lock washer, external teeth 6,4mm               | <a href="#">107051</a> | 0,24 €  |
|                 | Nut, M8x1 slim, e.g. throttle shafts,..                        | <a href="#">107036</a> | 0,56 €  | Valve adjustment nut M10x1, height 4,3                  | <a href="#">105019</a> | 2,48 €  |
|                 | parallel pin, tolerance zone m6, 10 X 14                       | <a href="#">101190</a> | 1,34 €  | Allen head bolt 125mm .921 6x, .928 3x                  | <a href="#">101125</a> | 5,50 €  |
|                 | Bolt M6 at rope roll   | <a href="#">142156</a> | 0,75 €  | Washer,waved shape,M5, zinced                           | <a href="#">142904</a> | 0,25 €  |
| MaschSe nkKreuz | Chrome bolt M6 x 16  | <a href="#">191017</a> | 23,67 € | Shim, chromed, for M10 bolts                            | <a href="#">177249</a> | 4,99 €  |
|                 | BlechLinspan head tapping screw zinc plated eFlach 3,9 X 13    | <a href="#">188889</a> | 0,25 €  | Cage nut M6, no locking                                 | <a href="#">188835</a> | 1,90 €  |
|                 | BlechSen Screw @ front grille kLinse                           | <a href="#">188071</a> | 1,79 €  | Square nut,M10  | <a href="#">188012</a> | 0,58 €  |
| MaschSe nkKreuz | raised countersunk head screw, stainless steel M4X14           | <a href="#">182099</a> | 0,30 €  | Bolt M3 for sign  | <a href="#">181043</a> | 0,13 €  |
|                 | Spring washer, fits M6   | <a href="#">181028</a> | 0,18 €  | thread pin, inner hex, e.g. mirror base                 | <a href="#">181024</a> | 0,76 €  |
|                 | Hex nut M6, yellow zinc.                                       | <a href="#">181023</a> | 0,18 €  | Spring washer, chromed                                  | <a href="#">177248</a> | 6,19 €  |
|                 | Washer5.3mm  | <a href="#">142905</a> | 0,24 €  | Chrome bolt hex.w.peak, S/T-mount                       | <a href="#">177247</a> | 31,89 € |
|                 | washer, 6,4 e.g. boot hinge                                    | <a href="#">175005</a> | 0,36 €  | BlechSen Chromed screw countersunk kLinse eg.door panel | <a href="#">172199</a> | 0,83 €  |

|  |                        |        |   |                        |          |
|--|------------------------|--------|---|------------------------|----------|
| Bolt M3 e.g. Glove box handle                        | <a href="#">168079</a> | 0,82 € | Countersunk bolt M5X16, industrial chrome plated        | <a href="#">167062</a> | 0,45 €   |
| MaschSe Sunk screw M5 x 16, stainless nkKreuz        | <a href="#">167061</a> | 2,05 € | Bolt M8 x 40  | <a href="#">149059</a> | 1,14 €   |
| Pin at booster piston                                | <a href="#">143014</a> | 0,49 € | hex nut,early brake bolt                                | <a href="#">142919</a> | 1,38 €   |
| M8x15-933 hex head bolt                              | <a href="#">142912</a> | 0,56 € | Bolt, M12 x 35 fine, e.g. cross strut                   | <a href="#">235225</a> | 2,28 €   |
| self locking counter nut M12                         | <a href="#">235228</a> | 0,43 € | In hex cyl bolt 12.9, M10x165                           | <a href="#">701165</a> | 16,66 €  |
| Washer 6.4 large, yellow zined                       | <a href="#">299276</a> | 0,18 € | Screw M5 e.g. safety hook @ bonnet                      | <a href="#">299286</a> | 0,26 €   |
| Screw, countersunk, M6 e.g. bonnet lock              | <a href="#">299285</a> | 0,44 € | Washer 5,3mm yellow zined                               | <a href="#">299284</a> | 0,11 €   |
| Spring washer M4 yellow zined                        | <a href="#">299283</a> | 0,08 € | Washer 4,3 yellow zined                                 | <a href="#">299282</a> | 0,08 €   |
| In hex M4 bolt, head lamp mounting                   | <a href="#">299280</a> | 1,36 € | BlechLins Screw 3,9 eFlach                              | <a href="#">299279</a> | 0,27 €   |
| BlechLins Screw 4.2 e.g. at 298043 eFlach            | <a href="#">299278</a> | 0,38 € | Locking spring washer                                   | <a href="#">299277</a> | 0,21 €   |
| Screw, Phillips M6, e.g. locks upper                 | <a href="#">299275</a> | 0,44 € | Screw M6 e.g. Bonnet hinges                             | <a href="#">299289</a> | 0,38 €   |
| Grip washer M8                                       | <a href="#">299274</a> | 0,29 € | Locking washer M6                                       | <a href="#">299273</a> | 0,21 €   |
| Spring washer A6 zinc plated                         | <a href="#">299127</a> | 0,21 € | washer M6, yellow zined                                 | <a href="#">299125</a> | 0,21 €   |
| MaschSe coutersunk head screw for hardtop nkKreuz    | <a href="#">299083</a> | 0,82 € | N900056005202 N900056005202                             | <a href="#">299082</a> | 0,56 €   |
| Spring pin, DIN1481, spring steel, 2.5 X 14          | <a href="#">299080</a> | 0,32 € | N9000560052   |                        |          |
| Nut M10, hex 16! , hot zined                         | <a href="#">299047</a> | 0,76 € | Lock ring 26x1,2  | <a href="#">299057</a> | 1,26 €   |
| MaschSe Screw M5 e.g. Bonnet spring nkKreuz brackets | <a href="#">299287</a> | 0,50 € | MaschSe screw nkKreuz                                   | <a href="#">299046</a> | 0,77 €   |
| BlechSec Metal screw 4,2x13 SW7   hskant             | <a href="#">299044</a> | 0,44 € | Hex Nut M6 flat shaped                                  | <a href="#">299291</a> | 0,37 €   |
| hex. socket head cap screw, zinc plated M8 X 135     | <a href="#">701149</a> | 4,59 € | cotter pin 3 x 28, fits 314025 ...                      | <a href="#">314029</a> | 0,32 €   |
| In hex cyl bolt 12.9, M10x90                         | <a href="#">701115</a> | 4,05 € | In hex cyl bolt 12.9, M10x155                           | <a href="#">701135</a> | 9,16 €   |
| In hex cyl bolt 12.9, M10x65                         | <a href="#">701105</a> | 3,05 € | In hex cyl bolt 12.9, M10x80                            | <a href="#">701113</a> | 2,67 €   |
| Nut M8, copper, hex 12                               | <a href="#">514008</a> | 1,90 € | In hex cyl bolt 12.9, M10x55                            | <a href="#">701103</a> | 1,84 €   |
| sunk_shi m countersunk washer / screw escutcheon     | <a href="#">373113</a> | 0,70 € | MaschSe Set bolts 220SE Cab. Pontoon nkKreuz            | <a href="#">477220</a> | 428,47 € |
| Spring washer M5                                     | <a href="#">299325</a> | 0,11 € | Hex Bolt M6 x 10 yellow zined                           | <a href="#">299997</a> | 0,35 €   |
| BlechSen Senk-Blechschaube 3,9x22 zB kFlach          | <a href="#">299928</a> | 0,44 € | Screw for belts   | <a href="#">299990</a> | 1,36 €   |
| Innenspieg   |                        |        | Hex nut M5, zined                                       | <a href="#">299919</a> | 0,18 €   |
| Bolt, countersunk with cross recess, M6x10           | <a href="#">299785</a> | 0,39 € | Cotter pin 2,0 x 25, e.g. tie rod nuts                  | <a href="#">299460</a> | 0,12 €   |
| Collar nut M5 locking, e.g. trunk lock               | <a href="#">299336</a> | 0,46 € | Lockung Nut M8, e.g. damper                             | <a href="#">299333</a> | 0,76 €   |
| Locking ring M10                                     | <a href="#">299328</a> | 0,38 € | Locking ring M8   | <a href="#">299327</a> | 0,18 €   |
| Washer 8,4mm, standard, yellow zined                 | <a href="#">299326</a> | 0,11 € | Washer, e.g. screws @ mesh                              | <a href="#">299045</a> | 0,21 €   |
| Bolt M6 x 12 in-hex                                  | <a href="#">299043</a> | 0,36 € | hex nut M12 X 1,5 zinc plated                           | <a href="#">235229</a> | 0,65 €   |
| Drain plug screw M14 x 1,5 (rad. / eng,..)           | <a href="#">250027</a> | 2,70 € | BlechSen Screw for chrome strips kFlach                 | <a href="#">269164</a> | 0,13 €   |
| BlechSen panelling screw, phillips, chromed kFlach   | <a href="#">268133</a> | 1,32 € | Washer, entry trim strip,fr.                            | <a href="#">268132</a> | 0,18 €   |
| BlechSen Panelling screw kLinse                      | <a href="#">268108</a> | 0,44 € | BlechSen Screw 4,2 x 25 kFlach                          | <a href="#">268104</a> | 0,30 €   |
| BlechSen Countersuk screw eg wood grille kLinse      | <a href="#">267109</a> | 0,50 € | sunk_shi m Escutcheon fitting panelling screws diam 3,9 | <a href="#">267014</a> | 0,89 €   |
| BlechSen flat headed screw 4x20 kLinse               | <a href="#">267013</a> | 0,38 € | Wing nut M8, e.g. wheel shoe @ support                  | <a href="#">258111</a> | 1,57 €   |
| Bolt M8x50, e.g. exh front pipe flange               | <a href="#">249049</a> | 1,26 € | Rivet, rear window drip strips                          | <a href="#">270691</a> | 0,20 €   |
| Screw M8x55 exhaust bracket                          | <a href="#">249048</a> | 0,96 € | Copper ring fits M4 screws                              | <a href="#">247051</a> | 0,43 €   |
| spring lock washer A16                               | <a href="#">235321</a> | 0,69 € | Bolt M10x30 e.g. rear axle mount                        | <a href="#">235318</a> | 1,02 €   |
| M12-127 lock washer                                  | <a href="#">235316</a> | 0,26 € | hex head screw M10 X 20, 10.9 zinc plated               | <a href="#">235315</a> | 1,40 €   |
| Spring washer,M12, rr axle, eng.mount                | <a href="#">235314</a> | 0,60 € | Cap,to235308  | <a href="#">235309</a> | 1,32 €   |
| Spring washer, u/j bolt                              | <a href="#">235303</a> | 0,42 € | Bolt, universal joint 230SL (L70)                       | <a href="#">235231</a> | 2,25 €   |
| MaschSe Flat headed screw M4x7 chrome nkKreuz        | <a href="#">269243</a> | 0,19 € | BlechSen Ctr sunk screw @ kLinse                        | <a href="#">272034</a> | 1,44 €   |
| MaschSe Countersunk screw M4 x 8 chrome nkKreuz      | <a href="#">299042</a> | 0,71 € | Washer, Star/frame                                      | <a href="#">288047</a> | 0,55 €   |

|   |                        |        |  |                        |        |
|---|------------------------|--------|--|------------------------|--------|
| Washer for 299034   | <a href="#">299038</a> | 0,12 € | Nut  | <a href="#">299035</a> | 0,17 € |
| Blechschrabe zB Einstieg unter Gummim.                                    | <a href="#">288134</a> | 0,19 € | Screw (sill to wheel arch)                                   | <a href="#">288133</a> | 0,50 € |
| Screw, bumper bracket   | <a href="#">288116</a> | 0,76 € | BlechLins Screw 3,5 x 9,5, see picture eFlach                | <a href="#">288081</a> | 0,32 € |
| BlechSec Panelling screw 5,5 x 16 (hex head hskant 8mm)                   | <a href="#">288059</a> | 0,60 € | Bolt M5/hex8, frt grille mouldings                           | <a href="#">288049</a> | 0,32 € |
| MaschSe Bolt M5x10,i.e. Star->Frame, nkKreuz industrial chrome finish     | <a href="#">288048</a> | 1,45 € | sunk_shi Washer, chrome, high shape, fits m up to 4mm screws | <a href="#">288013</a> | 2,99 € |
| BlechSen countersunk head tapping screw kFlach 3,5X13, sealing rail 230SL | <a href="#">272723</a> | 0,13 € | BlechLins Panel screw, lens head 3,5x13 vent eFlach hood     | <a href="#">283031</a> | 0,18 € |
| BlechSen Screw, grille/bodywork kLinse                                    | <a href="#">283021</a> | 1,90 € | Square nut e.g. at 281039                                    | <a href="#">281169</a> | 0,44 € |
| BlechLins panel screw, lens head, 3,5x22 eFlach visorsup                  | <a href="#">281159</a> | 0,44 € | BlechSen Counter sunk screw 3,9 Phillips kLinse              | <a href="#">281139</a> | 0,26 € |
| MaschSe Countersunk screw, lock frame, nkKreuz chrome plated              | <a href="#">277265</a> | 1,26 € | sunk_shi escutcheon e.g. screw 277052, .. m                  | <a href="#">277053</a> | 3,42 € |
| MaschSe Chrome screw M4, e.g. wire at nkKreuz canvas                      | <a href="#">277052</a> | 1,79 € | MaschSe Countersunk screw, rail/frame, nkKreuz M4x12         | <a href="#">277027</a> | 0,49 € |
| BlechSen Screw, R/C107, R113 kFlach                                       | <a href="#">272724</a> | 0,51 € | hex. head tapping screw with cone end, zinc plated 4,8 X 19  | <a href="#">799723</a> | 0,19 € |

## 98.c panelling nuts, mechanical locking nuts

|   |                        |         |                                     |                        |        |
|---|------------------------|---------|-------------------------------------|------------------------|--------|
| Clip nut, trunk hood                        | <a href="#">175015</a> | 19,75 € | Nut                                 | <a href="#">798174</a> | 0,36 € |
| spring lock washer A18, mech. zinc plated   | <a href="#">990115</a> | 0,31 €  | nut M6 w. flange, zinc plated       | <a href="#">799913</a> | 0,37 € |
| Plastic clips, linkage, locking, doors, ... | <a href="#">998005</a> | 1,44 €  | Sheet metal nut                     | <a href="#">999815</a> | 0,39 € |
| speed nut 6,3                               | <a href="#">999814</a> | 0,67 €  | Nut                                 | <a href="#">999810</a> | 1,26 € |
| Nut for panelling screws 4,2, long shape    | <a href="#">999805</a> | 0,51 €  | Nut                                 | <a href="#">999804</a> | 0,95 € |
| Clips-Nut e.g. wings frt 108/111-4-door     | <a href="#">898170</a> | 0,83 €  | cage nut 4,8, e.g. sun roof         | <a href="#">799778</a> | 0,74 € |
| nut, coverings, fits M6 bolts               | <a href="#">799097</a> | 1,26 €  | Spire nut for handle                | <a href="#">798739</a> | 0,45 € |
| Nut for panelling screw                     | <a href="#">798170</a> | 0,81 €  | Clip nut                            | <a href="#">188073</a> | 0,49 € |
| Clip nut                                    | <a href="#">798167</a> | 0,43 €  | Nut                                 | <a href="#">798166</a> | 0,58 € |
| speed nut 6,3                               | <a href="#">798165</a> | 0,67 €  | Nut                                 | <a href="#">798164</a> | 0,55 € |
| Blechmutter zB Lampentopf, Heizungskast     | <a href="#">788099</a> | 0,55 €  | Blechmutter, 111-Grill an Haube     | <a href="#">388219</a> | 0,36 € |
| Spring clip nut, 4,2, e.g. wing 107,..      | <a href="#">299028</a> | 0,33 €  | Spring clip nut, 4,2 e.g. glove box | <a href="#">299027</a> | 0,43 € |
| Clip, inner diam. 3.5mm, fits pins 4mm      | <a href="#">281026</a> | 1,18 €  | Clip, 'Automatic'                   | <a href="#">281024</a> | 0,20 € |
| self locking counter nut M12                | <a href="#">235228</a> | 0,43 €  | Cage nut M6, no locking             | <a href="#">188835</a> | 1,90 € |



## 98.d Seal rings of metal or rubber, Fittings

|   |                          |         |   |                        |         |
|---|--------------------------|---------|---|------------------------|---------|
| Hollowscrew M6 x 0,75 x 15, carb. drain pipe                                | <a href="#">107027</a>   | 10,95 € | Seal ring 10x16, copper                                 | <a href="#">399189</a> | 0,68 €  |
| O' Ring, diff. housing  | <a href="#">735210</a>   | 1,46 €  | O-Ring eg 722.004 brake piston cover                    | <a href="#">727379</a> | 2,49 €  |
| Seal ring f. bolt 705004  | <a href="#">705005</a>   | 0,68 €  | Seal ring   | <a href="#">701299</a> | 0,37 €  |
| Seal ring diff-out L/R 114/107 2.8 FN                                       | <a href="#">535210</a>   | 1,29 €  | O-ring e.g. Gearbox housg frt FN                        | <a href="#">399995</a> | 2,20 €  |
| Hollow screw e.g.M127 breather banjo-style                                  | <a href="#">309098</a>   | 19,25 € | O-Ring pws-reservoir->pump, small                       | <a href="#">746243</a> | 1,20 €  |
| O-Ring Peilstabrohr zB 127.982  | <a href="#">301397</a>   | 1,50 €  | O-Ring pwr-steerg oil press fitting                     | <a href="#">299799</a> | 3,33 €  |
| Copper seal ring M8, filled   | <a href="#">299305</a>   | 1,09 €  | Seal ring, sump plug                                    | <a href="#">299303</a> | 0,13 €  |
| O-ring e.g. clock underlay  | <a href="#">298754</a>   | 1,25 €  | alu seal ring M12, eg.eng.block @ chain                 | <a href="#">298712</a> | 0,13 €  |
| O-Ring ABS-sender @ diff housing  | <a href="#">735242</a>   | 1,33 €  | O-ring Vickers pump,housing,reservoirV8                 | <a href="#">746246</a> | 1,87 €  |
| O Ring, pressure valve workshop fitting for 4.75 lines, male thread, hex 11 | <a href="#">246145</a>   | 3,50 €  | O' ring, primary pump, autm. union nut M26, fits 120830 | <a href="#">727047</a> | 2,31 €  |
| lower O-Ring, Motronic Injectors e.g. 111.983                               | <a href="#">942966</a>   | 0,36 €  |   | <a href="#">120831</a> | 10,82 € |
| o-ring seal for master cyl reservoir ->67                                   | <a href="#">R7007235</a> | 1,01 €  | Seal ring 10x20, copper, sump autm 722.6                | <a href="#">927023</a> | 0,55 €  |
| Seal ring, sender in reservoir  | <a href="#">243033</a>   | 3,31 €  | O' ring, autom., wire actor                             | <a href="#">727049</a> | 2,31 €  |
| Seal ring 14mm copper   | <a href="#">750049</a>   | 4,57 €  | Hollow screw M12 x 1,5                                  | <a href="#">747146</a> | 2,64 €  |
| Banjo fitting, norm, fits M8  | <a href="#">207886</a>   | 1,08 €  | Hollow screw e.g.M127 breather banjo                    | <a href="#">309898</a> | 25,13 € |
| Seal ring 14x20x1,5 copper, e.g. oilpan                                     | <a href="#">920317</a>   | 3,88 €  | Copper ring M6, filled                                  | <a href="#">899305</a> | 0,83 €  |
| Banjo fitting, fits M12 bolt/7,5-hose                                       | <a href="#">799306</a>   | 0,14 €  | Copper seal ring M12 e.g. Autm transm                   | <a href="#">799303</a> | 0,18 €  |
| Banjo fitting, fits 10mm screw  | <a href="#">747991</a>   | 2,77 €  | O-Ring blk rubber, eg Type signs                        | <a href="#">281027</a> | 0,13 €  |
| Seal ring 10x13,5, copper, e.g. wheel cyl, ..                               | <a href="#">227850</a>   | 4,07 €  | Seal ring at carb.                                      | <a href="#">107059</a> | 0,19 €  |
| Alu seal ring M26, e.g. fuel tank   | <a href="#">142039</a>   | 0,18 €  | Alu ring 22mm   | <a href="#">199924</a> | 0,60 €  |
| Fiber seal ring M22   | <a href="#">147056</a>   | 0,95 €  | Seal ring, drv piston                                   | <a href="#">143083</a> | 2,78 €  |
| Hollow screw, pipe conn.  | <a href="#">142098</a>   | 0,60 €  | Hollow bolt   | <a href="#">142094</a> | 4,72 €  |
| Copper seal ring  | <a href="#">142049</a>   | 11,96 € | Hollow bolt brake cylinder                              | <a href="#">142018</a> | 9,57 €  |
| Screw fitting   | <a href="#">207115</a>   | 0,18 €  | sealing ring copper 32                                  | <a href="#">120033</a> | 1,31 €  |
| Seal ring 18x22 Al  | <a href="#">114027</a>   | 14,88 € | Banjo fitting, norm, fits M18                           | <a href="#">109816</a> | 16,01 € |
| Alu seal ring M12, eg. eng. block@chain                                     | <a href="#">109019</a>   | 0,94 €  | Hollow bolt, eg eng vent ->'55                          | <a href="#">109018</a> | 9,76 €  |
| O' Ring tensioner to head   | <a href="#">107143</a>   | 0,24 €  | Seal ring at threaded fitting                           | <a href="#">107097</a> | 0,60 €  |
| O' ring, primary pump, autm.  | <a href="#">205135</a>   | 0,55 €  | Sealing ring  | <a href="#">207149</a> | 0,88 €  |
| Seal ring 10x13,5, Alu, e.g. sender, hollow bolts                           | <a href="#">227047</a>   | 2,31 €  | Sealing ring ID8, eg. for hollow screw                  | <a href="#">220011</a> | 0,10 €  |
| Seal Ring   gear box drain plug   | <a href="#">227023</a>   | 0,50 €  | Hollow screw on suction pipe                            | <a href="#">227022</a> | 2,05 €  |
| Seal ring 16x20, copper, e.g. hollow bolts                                  | <a href="#">226047</a>   | 0,44 €  | Seal ring, copper , id 30                               | <a href="#">220118</a> | 1,05 €  |
| Hollow screw, air venting   | <a href="#">220010</a>   | 2,48 €  | Hollow screw,early M16X1,5                              | <a href="#">220012</a> | 6,69 €  |
| O-ring, eng. housg  | <a href="#">218412</a>   | 0,55 €  | Seal ring 14mm Alu                                      | <a href="#">207186</a> | 1,08 €  |
| sealing ring, aluminium 30mm  | <a href="#">215032</a>   | 0,81 €  | O-ring, dip stick late (plastic handle)                 | <a href="#">218119</a> | 0,62 €  |
| Seal ring 16x20, Alu, e.g. hollow bolts                                     | <a href="#">214078</a>   | 0,99 €  | Copper ring 18mm  | <a href="#">214079</a> | 0,24 €  |
| Hollow screw, M14 x 1,5   | <a href="#">207276</a>   | 2,34 €  | O'ring,throttle flap shaft, M127/M100                   | <a href="#">214070</a> | 2,20 €  |
|   |                          |         | O-ring water channel, V8 betw. frt cover&block          | <a href="#">701224</a> | 1,25 €  |

## 98.e fitting components, plastic, small

|  |                        |        |   |                          |        |
|--|------------------------|--------|---|--------------------------|--------|
| plastic knop, boot rubbermat<br>fixture              | <a href="#">168305</a> | 9,98 € | Plastic rivet plug, upholstery,<br>carpet, ..     | <a href="#">999067</a>   | 0,83 € |
| Plastic rivet, e.g.sound-ins.mat                     | <a href="#">999068</a> | 0,40 € | Nut, coverings                                    | <a href="#">999807</a>   | 0,35 € |
| Nut  | <a href="#">999809</a> | 0,38 € | Rivet   | <a href="#">999817</a>   | 0,39 € |
| Rivet  | <a href="#">999819</a> | 0,39 € | plastic plug w.chrome cap                         | <a href="#">788195</a>   | 0,99 € |
| Plastic nut, milled, cockpit W108,<br>Lamps 123      | <a href="#">854197</a> | 0,71 € | Plastic clips, linkage, locking,<br>doors, ...    | <a href="#">998005</a>   | 1,44 € |
| PA washer M4 x 9                                     | <a href="#">982359</a> | 0,12 € | Plasticrivet with locking pin                     | <a href="#">999822</a>   | 0,42 € |
| knob, plastic base, carpet fixture                   | <a href="#">798006</a> | 3,19 € | square plastic rivet, div trunk<br>covering       | <a href="#">R2999034</a> | 0,75 € |
| Plastic-clip universal/VW, may<br>replace SLS 268726 | <a href="#">968275</a> | 0,60 € | plastic rivet                                     | <a href="#">799104</a>   | 1,05 € |
| clip   | <a href="#">772227</a> | 2,49 € | plastic plug for screw                            | <a href="#">999823</a>   | 5,24 € |
| Clips, wire @ body                                   | <a href="#">998181</a> | 0,90 € | Nut, clips  | <a href="#">969896</a>   | 0,68 € |
| Rivet,for cover in boot                              | <a href="#">269034</a> | 0,35 € | Clip on door trim (16x veh.)                      | <a href="#">772228</a>   | 0,48 € |
| Clip, Acc pedal                                      | <a href="#">730009</a> | 1,00 € | Nut   | <a href="#">742199</a>   | 0,35 € |
| cable clip e.g. fuel hose                            | <a href="#">747994</a> | 1,42 € | Clips clamp, plastic, 13mm                        | <a href="#">754069</a>   | 1,09 € |
| Plastic rivet  | <a href="#">769034</a> | 0,60 € | Plastic nut M4                                    | <a href="#">769156</a>   | 2,09 € |
| Clip, door seal, rear                                | <a href="#">772158</a> | 0,60 € | plastic washer at adjuster bolts                  | <a href="#">782804</a>   | 0,73 € |
| Clip @ Sacco-panel, where<br>screwed                 | <a href="#">969891</a> | 0,55 € | Plug rivet for square hole eg, lower<br>rad.cover | <a href="#">788991</a>   | 1,32 € |
| plastic plug w.chrome cap                            | <a href="#">788995</a> | 1,92 € | Plastic clips, linkage, locking,<br>heater        | <a href="#">798004</a>   | 1,26 € |
| collar plastic clips nut,<br>covers+insulation       | <a href="#">798159</a> | 2,43 € | Clip fits 2 pipes ea 8mm                          | <a href="#">798177</a>   | 0,55 € |
| plastic rivet, headlights (EU) to<br>fender          | <a href="#">799091</a> | 3,33 € | Clips, fuel line @ body rail                      | <a href="#">947049</a>   | 1,75 € |

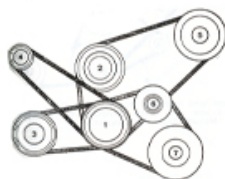
## 98.f Filament light bulbs



|    |   |                          |        |                         |   |                          |        |
|----|---|--------------------------|--------|-------------------------|---|--------------------------|--------|
|    | Halogen bulb H4 55/60 watts (P43t) <a href="#">799290</a> | 8,63 €                   | 1      | Light bulb 12V/2W, BA7s | <a href="#">299079</a>                        | 1,99 €                   |        |
|    | OSRAM NBS   |                          |        |                         |   |                          |        |
| 2  | bulb 12V 5W Ba15s socket                                  | <a href="#">799189</a>   | 0,81 € | 2                       | Glühlampe 12V 10W                             | <a href="#">799089</a>   | 0,44 € |
| 2  | Bulb, e.g. trunk light                                    | <a href="#">282033</a>   | 2,50 € | 3                       | light bulb 12V/2W, BA9s, eg. Instruments      | <a href="#">254033</a>   | 2,20 € |
| 4  | Bulb 12V / 21W direction indicator                        | <a href="#">299085</a>   | 1,25 € | 4                       | Bulb 12V/18W direction indicator              | <a href="#">299087</a>   | 3,33 € |
| 4  | Bulb 12V 15W BA15S, halo modernized                       | <a href="#">399083</a>   | 3,69 € | 5                       | Light bulb 12V/2W BA9s, long shape            | <a href="#">299095</a>   | 3,45 € |
| 5  | Bulb, parking light, 12V/4W, BA9S                         | <a href="#">299099</a>   | 1,39 € | 6                       | Bulb, 5/18 watts (2 filament), 12V, clear     | <a href="#">499090</a>   | 1,44 € |
| 6  | Bulb, 5/21W (2 filament)                                  | <a href="#">199090</a>   | 1,09 € | 7                       | Bulb 12V 15W BA15S, halo modernized           | <a href="#">399084</a>   | 3,92 € |
| 8  | indicator bulb yellow, 12V, 21W, BAU15s, yellow           | <a href="#">R7082585</a> | 1,89 € | 9                       | bulb 3W Philips                               | <a href="#">299696</a>   | 0,92 € |
| 9  | instrument panel bulb 12V, 2W W2,1X9,5d                   | <a href="#">R7054223</a> | 1,79 € | 9                       | Bulb, passenger compt. 3W, NoName             | <a href="#">299096</a>   | 1,79 € |
| 9  | instrument panel bulb 12V, 5W, W2,1X9,5d                  | <a href="#">R7054598</a> | 1,18 € | 10                      | Lamp 1,2W, cockpit check lights several       | <a href="#">999096</a>   | 1,25 € |
| 11 | indicator bulb yellow, 12V, 5W, W2,1X9,5d                 | <a href="#">R7082379</a> | 1,89 € | 12                      | instrument panel light bulb 12V, 1,2W, BX8,5d | <a href="#">R7054294</a> | 3,56 € |
| 13 | bulb 1,2W Philips   | <a href="#">299697</a>   | 0,81 € | 13                      | Bulb 1.2W, glass socket, switch-knob, cockpit | <a href="#">299097</a>   | 1,79 € |
| 14 | instrument panel bulb 12V, 1,5W, BX8,4d                   | <a href="#">R7054608</a> | 4,17 € | 15                      | Bulb 12V/0,5W, see picture                    | <a href="#">799083</a>   | 1,52 € |
| 16 | Bulb, 40/45W, Bilux                                       | <a href="#">299092</a>   | 3,99 € | 17                      | Bulb, 1,2 Watts, plastic socket               | <a href="#">R7099097</a> | 1,64 € |
| 17 | mini bulb Bi-Pin 14V, 80mA                                | <a href="#">799695</a>   | 2,29 € | 18                      | Halogen bulb H4 55/60 watts (P43t)            | <a href="#">799090</a>   | 3,78 € |
| 18 | Halogen bulb H4 55/60 watts (P43t)                        | <a href="#">799190</a>   | 3,43 € | 19                      | Bulb 12V / 3W, torpedo, total length          | <a href="#">226102</a>   | 2,53 € |

|    |  |                        |        |    |  |                        |          |
|----|--|------------------------|--------|----|--|------------------------|----------|
|    | OSRA                                       |                        |        |    |  |                        |          |
| 21 | Bulb 12V / 10W, torpedo, total length 38   | <a href="#">799081</a> | 1,46 € | 21 | Bulb 12V / 5W, torpedo, total length 38  | <a href="#">299098</a> | 1,54 €   |
| 22 | Bulb, 55W H1, e.g. 113 if Halogen equipped | <a href="#">299090</a> | 2,89 € | 23 | Bulb 12V / 10W, torpedo, total length 44 | <a href="#">299094</a> | 0,51 €   |
| 24 | Bulb, 35W, Fog light                       | <a href="#">299093</a> | 8,32 € | 26 | Glühlampe H7 12V 55W                     | <a href="#">999090</a> | 2,78 €   |
| 28 | Bulb, 55W Halogen H3,fog light             | <a href="#">299091</a> | 4,52 € | 30 | LED P43t, lamps replacing H4             | <a href="#">799191</a> | 139,99 € |

## 98.g V-Belts, Ribbed V-Belts



[Click here for - hier klicken für](#)

**V-Belt - Keilriemen**

Width **10mm** (prev. 9.5)  
Breite **10** (ehemals 9,5)

All Length  
Alle Längen

[Click here for - hier klicken für](#)

**V-Belt - Keilriemen**

Width **13mm** (prev. 12.5)  
Breite **13** (ehemals 12,5)

All Length  
Alle Längen

[Click here for - hier klicken für](#)

**Ribbed Multi-V Belt  
Rippenriemen**

Width **21.4mm= 6 Ribs**  
Breite **21,4 = 6 Rippen**

All Length  
Alle Längen

|     |   |                          |         |     |                                       |                          |         |
|-----|---|--------------------------|---------|-----|---------------------------------------|--------------------------|---------|
| V10 | Fan Belt 10 x 825   | <a href="#">120100</a>   | 4,20 €  | rib | Ribbed fan belt 2175mm, e.g. M103     | <a href="#">999106</a>   | 39,98 € |
| V10 | belt, 10x1110 e.g. pws pump 5.6 , 2x re                     | <a href="#">799130</a>   | 7,25 €  | V13 | A/C belt 13 x 960mm, e.g. AC-comp 560 | <a href="#">799131</a>   | 7,74 €  |
| V10 | Keilriemen 10x750   | <a href="#">799132</a>   | 10,29 € | V10 | Belt, 10x1005 e.g. 117.968 Generator  | <a href="#">799133</a>   | 6,49 €  |
| V10 | Belt  | <a href="#">799135</a>   | 15,89 € | rib | Rippenriemen 2415mm, zB103 Klima+LuPu | <a href="#">999101</a>   | 51,37 € |
| rib | belt, 2225mm, i.e. M104 (some) with A/C, without niveaupump | <a href="#">999102</a>   | 40,29 € | rib | 6-Rippenriemen 2205mm lang            | <a href="#">999103</a>   | 15,68 € |
| rib | Rippenriemen 2330mm, zB 103 m.LuPu o.KI                     | <a href="#">999104</a>   | 65,00 € | rib | Belt 2176mm                           | <a href="#">999107</a>   | 22,99 € |
| V10 | Fan belt 10 x 1160, z.B. 4.5 Servo, FN                      | <a href="#">799126</a>   | 10,95 € | rib | Ribbed fan belt 2257mm, e.g. 103 A/C  | <a href="#">999108</a>   | 49,99 € |
| rib | Belt, 2523mm  | <a href="#">999109</a>   | 29,10 € | rib | Belt, 2170mm                          | <a href="#">999112</a>   | 30,33 € |
| rib | belt 1775, e.g. M111 2,3 no A/C                             | <a href="#">R7099101</a> | 29,99 € | rib | belt 1875, e.g. M111 2,3 with A/C     | <a href="#">R7099102</a> | 39,07 € |
| rib | belt 2055, e.g. M111 2,0 no A/C                             | <a href="#">R7099104</a> | 33,82 € | rib | belt 2155, e.g. M111 2,0 with A/C     | <a href="#">R7099105</a> | 35,80 € |
| rib | belt 2390mm, e.g. M112.947 Euro                             | <a href="#">R7099106</a> | 35,30 € | V13 | v-belt 13x930                         | <a href="#">799136</a>   | 16,99 € |
| V13 | Keilriemen 13 x 868 Klima V8 FN                             | <a href="#">799128</a>   | 16,18 € | V10 | Fan belt 10x1025 z.B. 4.5 US FN       | <a href="#">799124</a>   | 5,95 €  |
| V10 | Fan belt 10 x 850, 190SL RHD, 220SE                         | <a href="#">120101</a>   | 7,60 €  | V13 | Keilriemen 13x785 Servopumpe          | <a href="#">799102</a>   | 6,19 €  |
| V13 | V belt 13 X 1060  | <a href="#">299101</a>   | 7,25 €  | V13 | V belt 13 X 750 e.g. PWS-pump         | <a href="#">299102</a>   | 6,19 €  |
| V10 | V belt 10 X 900   | <a href="#">299105</a>   | 3,69 €  | V10 | V belt 10 X 875 eg. 230SL Alternator  | <a href="#">299106</a>   | 4,75 €  |
| V10 | V belt 10 x 925 eg. 250SL LHD series                        | <a href="#">299107</a>   | 3,69 €  | V10 | V belt 10 X 775                       | <a href="#">299108</a>   | 8,84 €  |
| V10 | V' belt, 10 x 935   | <a href="#">299109</a>   | 7,79 €  | V10 | V' belt, 10 x 800                     | <a href="#">299110</a>   | 8,98 €  |

|     |   |                        |         |     |                                       |                        |         |
|-----|---|------------------------|---------|-----|---------------------------------------|------------------------|---------|
| V10 | Pws drive belt 10 x 1225 e.g. 111-3,5   | <a href="#">399123</a> | 13,80 € | V13 | V belt 13 X 1285                      | <a href="#">799110</a> | 10,29 € |
| V10 | Fan belt 10 x 1184, z.B. 3.5 Servo, FN  | <a href="#">799123</a> | 7,51 €  | V13 | V belt pws. 280SL/SLC 13x818          | <a href="#">799111</a> | 10,89 € |
| V10 | V belt alt./wapu/fan 10 x 980           | <a href="#">799113</a> | 10,10 € | V10 | V belt alt./wapu/fan V8               | <a href="#">799114</a> | 5,59 €  |
| V10 | V belt 10 X 913                         | <a href="#">799115</a> | 6,10 €  | V13 | V belt 13 X 850                       | <a href="#">799116</a> | 5,95 €  |
| V10 | V belt 10 x 1200 , WaPu/p.w.s.(2xreq)   | <a href="#">799117</a> | 7,20 €  | V10 | V belt 10 X 1100, e.g. WaPu/PWS V8-FN | <a href="#">799118</a> | 7,40 €  |
| V10 | V belt 10 X 960/965                     | <a href="#">799119</a> | 5,36 €  | V10 | Fan belt 10x1000 eg 4.5 generator FN  | <a href="#">799121</a> | 9,70 €  |
| V10 | Fan belt 10 x 950 egM116early generator | <a href="#">799122</a> | 3,50 €  | V13 | V-belt 13 x 915 e.g. late A/C 450 US  | <a href="#">799137</a> | 12,25 € |