

Mercedes 190SL (W121)



Content

01 Engine	5
01.a Engine	5
01.b,03 Info Engine Gasket Sets	8
01.c Info Cylinder Head Bolts	9
07 Solex Carburetor	10
09 Air Intake and Fuel Pump	12
09.a Air Intake and Fuel Pump	12
09.b Comment Fuel Pump	13
15 Electric Equipment (Engine)	15
15 Electric-Equipment (Engine)	15
15.i Info Spark Plugs	17
18 Lubrication (Engine)	18
20, 50 Cooling System	20
20,50,83 Engine Cooling	20
20.a Info Water Pump	21
22, 25 Engine Mount, Clutch	23
22.a Engine Mount, Clutch	23
22.b Info Engine Mounts	24
26 Gearbox	25
29 Gearshift and Pedals LHD	27
33 Front Suspension	29
35 Rear Suspension	31
40, 41, 81 Wheels, Prop.-Shaft, Wheel trim	34
40, 41, 81 Wheels, Prop.-Shaft, Wheel trim	34
40, 81.b Info Wheel decoration	35
42 Brakes	36
42.c Brake (Linings, Mastercylinder, Handbrake)	36
42.a Brake (Wheels)	37
42.b Info Wheel Cylinder front	39
42.d Info Brake Shoes rear	40
43 Brake Booster T50	41
46 Steering	43
47 Fuel Tank	45
49.a Exhaust System	47
49.b Stainless Steel Exhaust 190SL	48
54.a Electric Equipment (Dashboard)	49
54.b Wire Set	51
61 Chassis Raw Floor & Panelling	53
61 Floor Panelling	53
62 Panelling (Front)	54
64 Panelling (Rear)	55
64.i Info raw Bodyshell/Chassis w. detailed pics	56
67 Windscreen	57
68.a Floor mats and insulation	58
72 Door	59
77, 79 Softtop, Hardtop	62
77.b Softtop Equipmet	62
77.c Info Content Hood Frame	63
77.a Softtop	64
79 Hardtop	66
81 Interior Equipment	67
82 Lighting, W.-screen-wipe & wash	69
83 Heater System	72
88.b Chrome and Trims	74

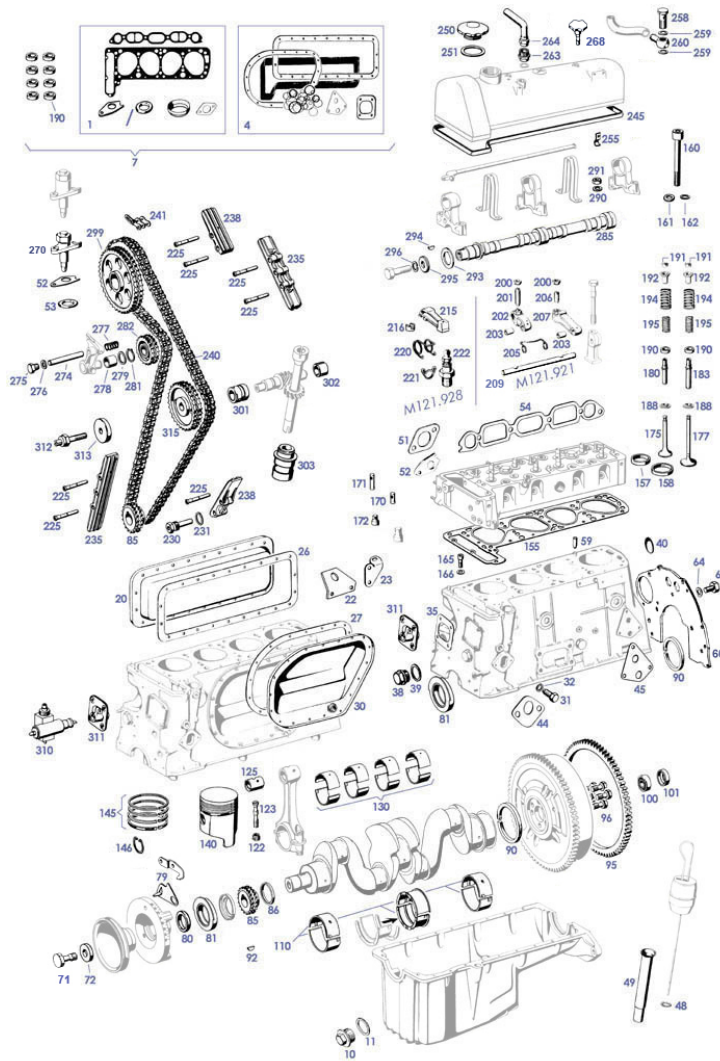
88.a Bonnet, bootlid & cover panels	76
91 Seats	78
97 Accessories	80

SLS Import- und Export Handelsgesellschaft mbH
Jacobsrade 27 · D-22962 Siek
Tel. +49(0)40 656 939-0 · Fax +49(0)40 656 939-399
I-net: www.sls-hh.de · e-mail: service@sls-hh.de

01 Engine

01.a Engine

01.a Engine



	contents: no suction funnel	118806	€ 681,99		Rocker arm pin, 190,230,250, Repro	205842	€ 62,00
	Plug screw M18 e.g. pressure valve see 105830	218817 105030	€ 8,98 N/A		Pin, 51mm- until 8501731 see 250823	105020 250023	N/A N/A
	rail, chain guide, several types	505006	€ 44,63		Used: Flange, tacho drive	101460	€ 356,99
	Gasket at crankcase, 190SL, M110 early,	109804	€ 2,25		Guide Pin 58mm	105005	N/A
	Pipe elbow @ cylinder head, >8501757	120830	€ 36,06	1	Cylinder head gasket set ->7.56	102105	N/A
7	englischer Text	100100	N/A	10	Sump screw, M26 / Hex17	199301	N/A
10	Sump screw, M26 / Hex17	199300	€ 4,26	10	Sump plug, version inhex	299300	€ 4,76
11	Sealing ring fits lage sump drain plug (M26)	299301	€ 0,60	15	A1210101013 Oil pan alloy	101300	N/A
20	Engine cover 190SI up to the 1958 model	101800	€ 167,58	22	Bracket,.921 air tube strut ->8501731	101071	€ 15,10
22	Bracket,.928 air tube strut	101073	€ 70,03	23	Bracket,.921 air tube strut 8501731->	101072	€ 36,03
26	Gasket, for Rt. side cover	101099	€ 8,38	27	Bolt M6 x 12 in-hex	299043	€ 0,36
27	Gasket, for Lt. side cover	101030	€ 12,23	30	Copper seal ring	207115	€ 0,18
30	M121 Engine cover LH NOS	101040	€ 130,00	30	Engine cover 190SL up to the 1958 model LH	101840	€ 137,20
31	A6150520171 Bolt, eng.block at chain dr	105099	N/A	32	Alu seal ring M12, eg. eng. block@chain	107143	€ 0,24

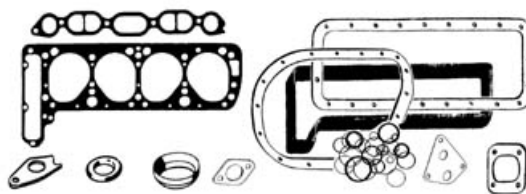
35	Gasket, tach drive base M121	101035	€ 9,97	38	Plug screw M24 e.g. pressure valve	218816	€ 29,75
38	Plug screw M18 e.g. pressure valve	218815	€ 20,69	38	A1301800056 see 218816	218415	N/A
39	Seal Ring gear box drain plug	226047	€ 0,44	40	Expansion plug, 30mm	199072	€ 14,80
40	Expansion plug, 40mm	199074	€ 14,28	40	Expansion plug, 35mm	199073	€ 14,80
40	Expansion plug, 25mm	199071	€ 10,71	40	hex. socket pipe plug with taper fine pitch thread	101005	€ 1,90
44	Gasket at crankcase, 190SL, M110 early,	109004	€ 0,51	45	Gasket, upr.filter hsg./engine	118008	€ 1,69
46	A1800100372 Dipstick with breather	101045	N/A	48	Seal ring e.g. dip stick	101044	€ 0,75
49	Guide tube 190SL	101066	€ 129,70	51	Gasket, thermostate	120011	€ 1,32
52	Gasket,tensioner to head,921->018422	105135	€ 12,88	53	O' Ring tensioner to head	205135	€ 0,55
54	see 114000	114800	€ 8,90	54	Exh-/Intake gasket ELRING	114000	€ 8,53
59	parallel pin, tolerance zone m6, 10 X 14	101190	€ 1,34	60	Flange plate .921 from 8502445; 928	101077	€ 178,50
63	N304017010042	101079	N/A	64	M12-127 lock washer	235316	€ 0,26
68	A1210300805 Flywheel w.ring 921 6500795	103100	N/A	68	A1210300205 Flywheel (with ring) 921 to	103090	N/A
71	Necked down bolt for crankshaft pulley	103085	N/A	72	Washer	103083	€ 8,98
75	A1212000105 Crankshaft Pulley	103080	N/A	76	Counterweight replica A6210311107	103042	€ 390,32
79	pointer, 1st Gen, see picture	403022	€ 38,68	79	A1210320215 pointer, Gen. 3	103024	N/A
79	pointer Generation 1+2 / 121.921 6501562 -> / 121	103023	€ 31,88	80	Ring, crank seal distancer, 190SL	105040	€ 22,06
81	Front oil seal	105041	€ 17,39	85	Crankshaft sprocket	103011	€ 32,67
86	A1800310152 Shim, 5.6mm	203047	N/A	86	A1800310252 Shim, 5.75mm	203048	N/A
90	Rear oil seal, 8 mm, from ca. 05.'61	205046	€ 8,71	90	Felt-seal rr crank, 6mm ->05.61	105047	€ 6,88
92	Woodruff key,cr-shaft .928 late,127earl	103026	€ 9,16	95	Starter ring gear 108 teeth	103200	€ 208,25
96	Flywheel stretch bolt	103029	€ 9,98	100	Pilot bearing	103093	€ 11,31
101	Cover, pilot bearing	103094	€ 1,81	110	CS-Bearing set, 70.00 mm, M121...	103015	€ 185,50
110	Bearing set, crankshaft +.25, watch hol	103016	€ 157,79	110	CS-Bearing set, 69.50mm , M121...	103017	€ 185,50
110	Bearing set, crankshaft +.75	103018	€ 185,50	110	Bearing set, crankshaft +1.0 oversize	103019	€ 157,79
120	A1210301520 Connecting rod 921 Eng	103000	N/A	120	A6170300420 Connecting rod 928 Eng	103001	N/A
122	A1820380072 Nut for rod bolt	103076	N/A	123	Stretch Bolt for connecting rods, 190, 230 up 4-6	103075	€ 11,65
125	A1860380850 Bushing, Con-rod 921 Eng. 2	103072	N/A	125	A6210382050 Bushing, Con-rod 928 Eng. 29.50mm	103073	N/A
125	A6210381950 Bushing, Con-rod 928 Eng. S	103071	N/A	125	A1860380750 Bushing, Con-rod 921 Eng. S	103070	€ 85,85
130	Oelbohrungen in Lagerschalen koennen infolge Numme	103010	€ 162,48	130	Bearing set, conn.rods -1.00	103050	€ 161,00
130	Bearing set, conn.rods -0,25	103020	€ 159,65	130	A1215860103	103021	N/A
130	Bearing set, conn.rods -0,50	103030	€ 155,53	130	A1215860203	103031	N/A
130	Bearing set, conn.rods -0,75	103040	€ 162,48	130	Bearing set, conn.rods 1.25 Oversize	103055	€ 390,95
140	Piston 121.921 86.50mm Mahle	103006	€ 252,99	140	A1210307217 Piston with rings, 928 Eng.	103047	N/A
140	Rest: Piston with rings, 86.0mm, 928 Engines	103046	N/A	140	Piston with rings M982 / 85,50mm	103045	€ 310,00
140	A1210306817 Piston with rings, 928 Eng.	103043	N/A	140	Piston 121.921 86.00mm Mahle	103005	€ 255,37
140	Piston 121.921 85.50mm Mahle as long as stock lasts!	103004	€ 252,99	140	Piston 121.921 85.25mm Mahle	103003	€ 280,00
140	121.921 85.00mm Ma	103002	€ 265,00	145	Ring set per piston 85.00 (4-R-piston)	103060	€ 59,99
145	Piston ring set 86.00mm per piston 190S	103063	€ 65,64	145	Ring set 85,5mm for 1 piston	103062	€ 65,64
146	A0009945535 Locking ring, piston bolt,	103099	N/A	150	A1210109920 Cylinder head, 921 engine	101100	€ 5.159,00
150	Gewindestutzen zB Messkapillare in Kopf	120037	€ 29,99	150	A1210100521 Cylinder head for 928 engi	101200	N/A
155	A1210164020 Cyl. head gasket 190SL	101920	N/A	155	for the engine 921 and 928	101020	€ 74,90
155	Cylinder head gasket 190SL	101620	€ 138,98	157	A1150530832 Valve Seat, exh. std.(OK f.	105403	N/A
157	A1150531032 Valve seat, exh.	105404	N/A	158	A1210530631 Valve seat, intake	105402	N/A

158	+1.2(OK f. A1210530531 Valve seat, intake standard	105401	N/A	160	1.2 over cylinder head screw 140mm	201140	€ 9,98
160	Allen head bolt 125mm .921 6x, .928 3x	101125	€ 5,50	160	Cylinder head bolt 105mm for engine M121 921,127,1	101105	€ 5,99
161	Washer, M12 cylinder head bolt	101822	€ 2,86	161	Washer, cylinder head bol	101022	N/A
162	A1100160476 Shim, cyl. head bolt	201122	N/A	165	InHex bolt 12.9, M8x30, sump, ...	118018	€ 2,05
166	see 799911	142913	N/A	170	A1210160760 Water distributor in head,	101163	N/A
170	A1800160160 Water distributor M.928->'5	101052	N/A	171	A1210160960 Water distributor in head,	101160	N/A
172	A1210160860 Water distributor in block	101161	N/A	173	A1210160660 Water distributor in block	101162	N/A
175	Exhaust valve Na-filled	105010	€ 47,60	175	Exhaust valve	105110	€ 59,50
177	Inlet Valve 190SL, ...	105113	€ 29,58	180	Valve Guide, exhaust, 14,20mm	105090	€ 15,17
180	Valve guide outl. 14,10mm	105980	€ 15,17	180	N/A ! - A1210502324 -Valve guide, exhaust, 14,4mm	105060	N/A
180	Valve Guide, exhaust, 14.018 mm	105080	€ 16,18	183	N/A A1210500624 guide 14.018mm	105200	N/A
183	Valve guide inlet 14.10mm	105250	€ 17,85	183	Valve guide, 2nd oversize. 14.2mm	105300	€ 15,59
183	Valve guide, 3rd oversize 14.4mm	105400	N/A	188	A1210530262 Valve spring pressure ring	105050	€ 17,85
190	Valve sealing ring, 1 pce	102204	€ 1,29	191	Valve lock, 1 hal, ->'67	105046	€ 6,00
192	A1800502223 Valve spring retainer 928	105054	N/A	192	Valve spring retainer 921	105052	N/A
194	Valve spring, Outer	105811	€ 12,99	194	A1800530620 Valve spring, Outer	105011	N/A
195	Valve spring	105012	€ 12,90	200	Valve adjustment nut M10x1, height 6,1	105819	€ 12,50
200	Valve adjustment nut M10x1, height 4,3	105019	€ 2,48	201	Valve adj.screw,rocker arm 'out'	105817	€ 29,75
201	Valve adj.screw,rocker arm 'out'	105017	€ 113,82	202	Rocker arm, Exhaust. 921 Eng	105016	€ 165,01
203	A1800550150 Rocker arm bushing, 921 Eng	105022	N/A	205	A1800550093 Clamp	105024	N/A
206	Valve adj.screw,rocker arm inlet (short screw)	105018	€ 23,38	207	A1210500033 Rocker arm, Intake 921 Eng.	105015	€ 201,11
209	1 pce Rocker arm shaft for engine 121.921	105023	€ 128,52	210	Guide bushing, timing rocker mounts	105098	N/A
210	A1800551510 Rocker arm towers, Cyl 1 or	105026	N/A	210	A1800551410 Rocker arm towers, Cyl 2 or	105025	N/A
215	M: 108, 110, 114, 115, 123, 928, 127, 129, 130,180	205040	€ 25,36	215	M: 108, 110, 114, 115, 123, 928, 127, 129, 130,180	205840	€ 23,21
216	Thrust piece 3.5mm	205037	€ 27,13	216	Thrust piece 2.5mm	205038	€ 19,93
216	Thrust piece 4.5mm ->5.69 (FN)	205036	€ 25,89	220	A1809931225 Spring, rocker arm	299014	N/A
221	Spring, rocker base bolts ->'67	105029	€ 13,49	222	see 205842	205042	N/A
225	Pin, 51mm- until 8501731	105820	€ 10,76	225	Guide rail pin 58mm	105805	€ 15,35
225	Bolt, version 48,5mm, for div. guide rails	105830	€ 12,25	230	Pin	705804	€ 13,76
230	A1100520974 see 705804	705004	N/A	231	Seal ring f. bolt 705004	705005	€ 0,68
235	Chain guide, long, alu base	105004	€ 145,92	235	Sicherungsdraht für Gleitschiene	405099	€ 2,03
238	fits: 1x in 121.921 , 2x in 121.928 others ..	105006	€ 189,97	238	M921: 1x; M928 2x; R113:2x,	205010	€ 3,00
240	Timing chain 130 lnks (shorten,if necessary)	105003	€ 61,82	241	MasterLink Duplex chain (content of chain)	199013	€ 2,55
245	Gasket, Valve cover,	101010	€ 22,54	245	Gasket, Valve cover, M121, brand REINZ	101810	€ 9,97
246	A1800160338 Clamp, valve cover to head	105043	N/A	246	A1150160038 Clamp, valve cover to cyl.h 8.61->	205044	N/A
250	Oil filler cap, metal/screw on	250111	N/A	250	A1365010054 Oil filler cap	250101	N/A
251	ID 46,5, OD 65	101055	€ 4,30	254	A6161800127 Oil line above camshaft	105042	N/A
255	Clamp, e.g. oil-pipe, wires	199025	€ 4,59	258	Hollow bolt, eg eng vent ->'55	109018	€ 9,76
259	Seal ring 18x22 Al	109019	€ 0,94	260	A1219900088 Banjo fitting, eng.breather	109016	N/A
260	Banjo fitting, norm, fits M18	109816	€ 16,01	263	A1809970272 Screw nipple	109012	N/A
264	Breather tube @ valve cover, 5500996->	109015	€ 86,99	268	Bolt, hand driven, valve cover	105105	N/A
270	Chain tensioner	105101	€ 310,00	271	Chain tensioner, OEM (diff.to orig.)	105000	N/A
273	Link, chain tensioner 121.921	105036	€ 332,80	273	A1210501510 Arm, tensioner	205016	N/A
274	A1270520174 Br. Bolt, chainguide, long	205014	N/A	274	Shaft for lever, tensioner	205814	€ 10,00
275	N000961012033	107142	N/A	277	Spring	299113	€ 15,71

278	Bushing	105112	€ 40,70	279	A1809900240 Shim	105111	N/A
281	retaining rings for shafts 20 X 1,2	299498	€ 0,26	282	Tensioner sprocket+bushing, Repro	105002	€ 156,95
285	A1210500201 Camshaft, 921 Eng.	105701	N/A	285	M..921 from 550184, not M..928, failed testings	105601	€ 647,32
285	A1210514701 Camshaft, 928 Eng	105700	N/A	287	Stud M8 camshaft bearing	101139	€ 0,58
287	A1210501297 Bearing set, camshaft 921/	105045	N/A	287	A1210502197 Bearing set, camshaft 928 S	105055	N/A
290	washer for socket head screws 8,4 zinc plated	199089	€ 0,10	291	see 990101	199085	N/A
293	spacer, camshaft, 2.75mm	205018	N/A	293	Spacer 2.7 mm behind camshaft sprocket	205818	€ 17,50
294	A6219910467 Woodruff key, 4° cs.	205078	€ 13,99	294	woodruff key, standard, 4mm	205077	€ 1,00
295	Disc to screw camshaft sprocket	105821	€ 9,52	295	Shim, camshaft sprocket	105021	€ 3,93
296	Spring washer 14mm e.g. cam wheel	105028	€ 0,55	299	Camshaft sprocket	105001	€ 24,15
299	n.a.Gear, chain @ camshaft, Import qual	105801	N/A	300	M121,127,129,130,.. FEBI A1800500506 Sprocket shaft	105038	N/A
301	Bushing, intermediate sprocket shaft	205020	€ 59,98	302	Bushing	105937	€ 59,12
302	Bushing	105037	€ 59,12	303	A1801500107 Distributor drive bushing	105039	€ 136,85
310	Tachometer drive gear	105008	€ 627,37	311	Used: Flange, tacho drive	101260	N/A
312	drive bolt at rev-counter gear	105032	€ 37,09	313	Shim, tacho drive	105031	€ 18,09
315	Chain wheel NOS orig	105907	N/A	315	Intermediate shaft sprocket	105807	€ 179,99

01.b,03 Info Engine Gasket Sets

01.b,03 Info Engine Gasket Sets



190SL (M121.921 und M121.928 Motor-Dichtsätze)

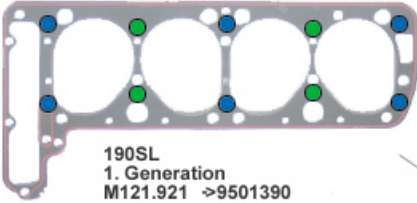
von		bis		Vollsatz	ZKD-Satz	Rumpfsatz	
Motor-Nr	Datum	Motor-Nr	Datum				
M121.921	Anfang	04.1955		100100	102105		
			6503209	12.07.1956			
		6503210	12.07.1956		100105	100101	
			7501734	08.1957			
		7501735	08.1957				
			8501731	22.07.1958		102100	
		8501732	22.07.1958				
		18422	25.08.1960	100110			
M121.928		18423	25.08.1960			100201	
			22122LHD	01.08.1961	100200		102200
			22285RHD	15.08.1961			
	Anfang	01.08.1961					
		Ende	12.1962				

	Gasket at crankcase, 190SL, M110 109804	€ 2,25	100100	englischer Text	100100	N/A
100200	replaced into 100110 (includes both 100200 versions)	N/A	101199	Set gasket rings	101199	€ 12,98
102105	Cylinder head gasket set ->7.56 102105	N/A	102200	see 102100	102200	N/A

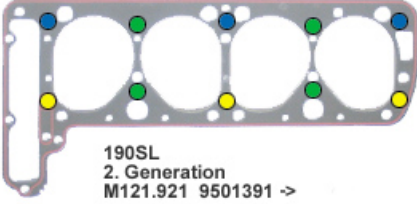
01.c Info Cylinder Head Bolts

01.c Info Cylinder Head Bolts

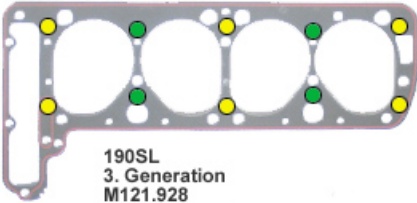
● 105mm = SLS [101105](#)
● 140mm = SLS [201140](#)
● 125mm = SLS [101125](#)




**190SL
1. Generation
M121.921 ->9501390**



**190SL
2. Generation
M121.921 9501391 ->**

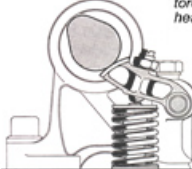


**190SL
3. Generation
M121.928**

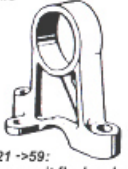


*Bauart der Schrauben: siehe Produktbilder
Anzugsmomente: Werkstattliteratur und
Angaben der Kopfdichtungs-Beilage beachten*

*Bolt design see product illustration,
torque see workshop manual and
head gasket product info*



**121.921 ->59:
NW-Lager mit flachen Laschen
CS Bearings with flat feet**

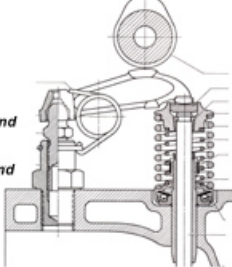


**121.921 59->
NW-Lager mit hohen Laschen
AUCH frühe, bei NW-Lager-ERSATZ**

**CS-Bearings with high feet
AND earlier, if bearings REPLACED**

**M121.921:
Schwinghebel E / A unterschiedlich
und auf Nebenwelle gelagert**

*Rocker arms I / O differing and
supported on shaft*



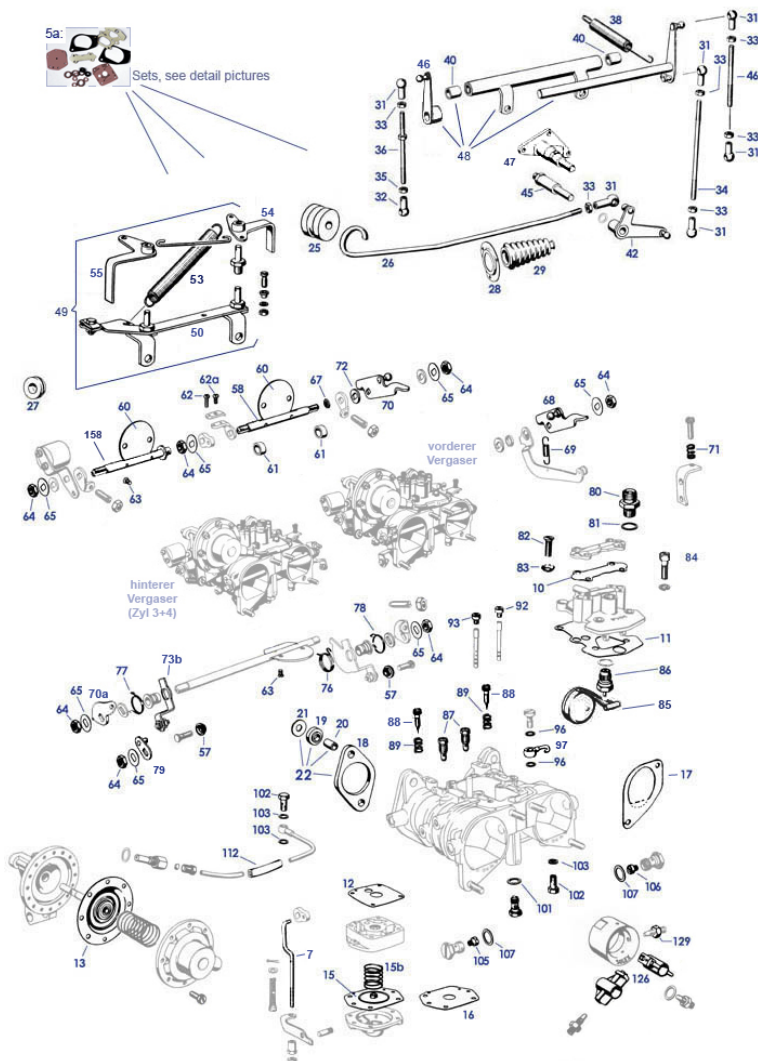
**M121.928:
Kipphebel E / A sind gleich und
abgestützt auf Kugelbolzen**

*Rocker Arms I / O identical and
supported on ball head bolts*

	Washer, M12 cylinder head bolt 101822	€ 2,86	101105	Cylinder head bolt 105mm for engine M121 921,127,1	101105	€ 5,99
101125	Allen head bolt 125mm .921 6x, .928 3x 101125	€ 5,50	201140	cylinder head screw 140mm	201140	€ 9,98

07 Solex Carburetor

07 Solex Carburetor



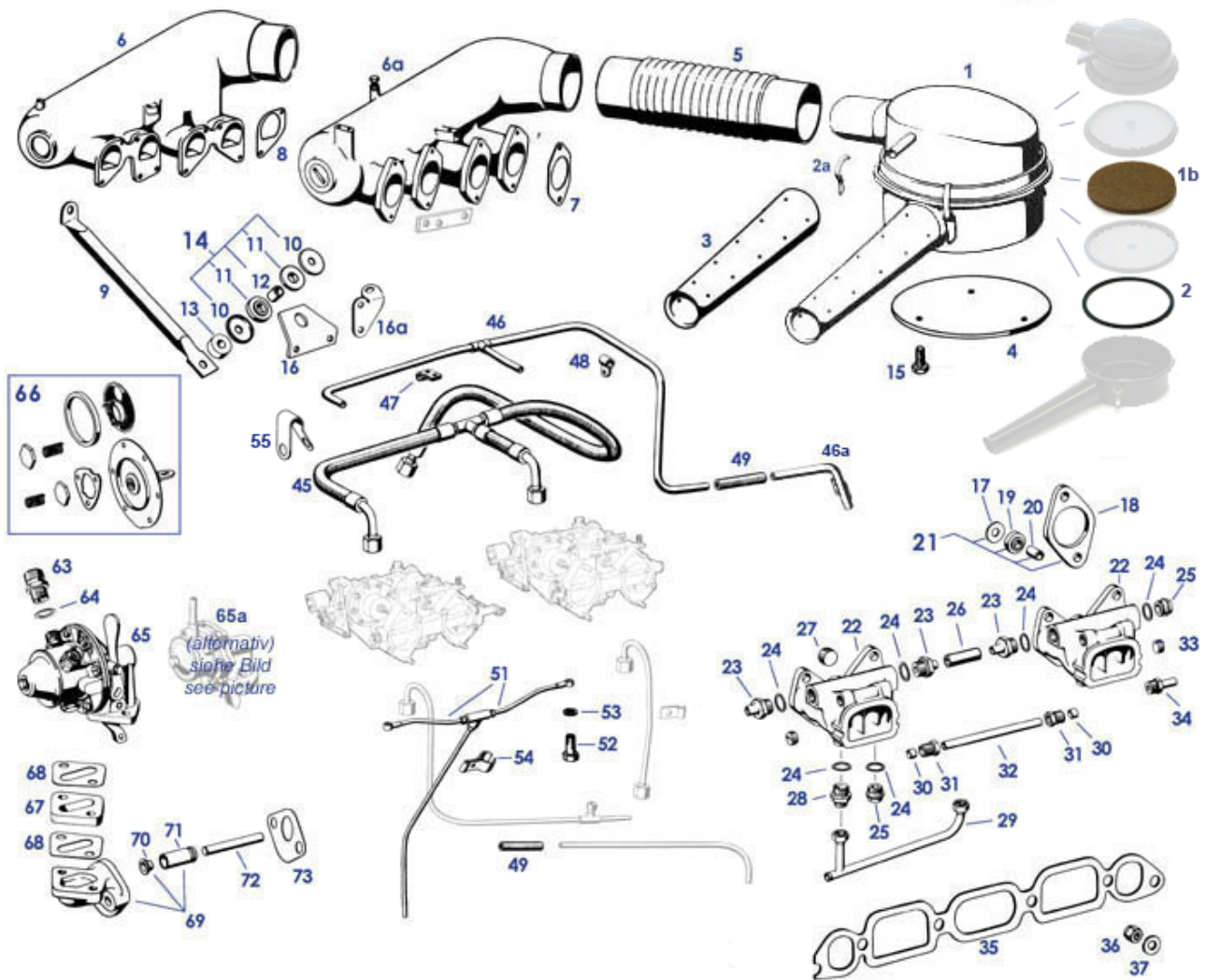
	Carburetor repair set	107850	N/A		A1210700624 Carburetor linkage mounting	107017	N/A
	A0000700166 Fixing screw & bushing	107061	N/A		Throttle shaft, Secondary	107082	N/A
	Overflow pipe, end	107847	€ 32,49		A1219930010 Hot start return spring	107005	N/A
	Dampening rubber for pull rod	130200	€ 11,75		A1810720008 Pivot pin	107039	N/A
	A1210700323 Carburetor linkage regulat	107019	N/A	1	Solex, Carburetor Overhauling (I+II)	107000	N/A
1	Address-Infos how to buy 44PHH	107800	N/A	5	Rep-Kit 190SL Solex-Carburetor push rod, carb acc unit	107151	€ 76,16
5	Rest: Gasket set Solex carb., 107090 goes on	107890	N/A	7		107158	€ 89,49
10	Gasket, top cover	107050	€ 3,25	11	Gasket, Solex hsg top	107060	€ 5,99
12	Gasket, Solex 44PHH pump hsg. MB no. A0000711880	107030	€ 8,69	13	Diaphragm for Solex vacuum device	107020	€ 78,41
13	rest: gasket kit, please order separate items	107825	N/A	14	A0000711916 Spring at membrane	107076	N/A
15	Spring at diaphragm	107055	€ 8,91	15	Diaphragm complete, acc-pump @ carb	107040	€ 49,85
16	Membrane w.o. retainer	107045	€ 10,00	17	Gasket air tube to carb.->55	109043	€ 9,13
17	Gasket for air tube 1956->	109045	€ 5,00	17	Gasket, air tube '56->	109245	€ 3,49
17	Gasket air tube to carb.->55	109743	€ 8,33	18	Rubber flange w. metal insert	107811	€ 84,49
18	Rubber flange, carburetor to manifolds	107711	€ 7,09	19	Rubber shim on carburettor flange	107814	€ 3,61
20	Spacer sleeve on carburettor flange	107012	€ 5,99	21	Washer on carburettor flange	107013	€ 3,99
24	A0010712871 Hsg. screw	107131	N/A	25	Dampening rubber for pull rod 45	130800	€ 6,39

25	Buffer ring, acc linkage (60°SH)	230800	€ 6,39	26	SHORE A		
					Pull rod, acc linkage LHD, comes w/o joint, w/o nu	130006	€ 43,99
27	Two hole grommet,heater & choke cables	130005	€ 3,05	28	Cover plate, acc bellow, LHD	130050	€ 23,45
29	Accelerator rod bellows	130100	€ 8,68	33	Nut, 5mm, right hand thread	199095	€ 0,24
34	Carburetor linkage rod 145mm	107041	€ 11,90	35	Nut, 5mm Lt. Hd. Threads	230006	€ 0,83
36	Linkage adj. rod Lt. & Rt. carb M5L+M5R, LoA 101,5	107015	€ 27,26	38	Trottle linkage return spring	107021	€ 8,09
40	Carb control shaft bushing	130045	€ 8,45	42	Linkage angle lever at block	107023	€ 59,49
43	A1869906940 Shim washer	107052	N/A	45	Cotter pin 1,6 x 16	780888	€ 0,12
45	Linkage pin at block, 8501732 --> end	107022	€ 32,00	46	Carburetor linkage rod 80mm	107042	€ 9,40
46	Rear lever on reg. shaft	107016	€ 50,99	47	Linkage pin at block, up to '58	107048	€ 62,31
48	Acc linkage @ Solex, assy see pict	107148	€ 181,11	49	Hot start linkage assy	107149	€ 197,48
50	Hot start linkage support,(c.i.5pts)	107001	€ 155,00	53	Hot start return spring	107805	€ 5,36
54	front angle lever@ hot st. linkage	107003	€ 82,42	55	rear angle lever@ hot start linkage	107002	€ 88,00
56	A1210710695 Wire connection between lev	107004	€ 14,16	57	Bushing, cable fixing	107029	€ 3,45
58	Throttle spindle 44PHH 1st step	107828	€ 42,28	58	A0000711411 Throttle shaft, Primary	107026	N/A
60	Rep diam carb flap 13° +0,4mm	107886	€ 48,90	60	Rep diam carb flap 17° +0,2mm	107887	€ 48,50
60	Rep diam carb flap 13° +0,2mm	107885	€ 52,00	60	A0000711710 throttle flap (start)	107107	€ 35,20
60	Rep diam carb flap 17°+0,4mm	107888	€ 48,90	60	Throttle plates, 13°	107084	N/A
60	Throttle flap, 17°	107083	€ 52,00	60	Throttle spindle 44PHH 2nd step	107829	€ 42,28
61	Bushing throttle flap shaft 4x req.	107086	€ 8,20	62	NL: Halbrundschaube M3 x 8	199097	N/A
62	Round head screw	107054	N/A	63	Screw, throttle flap	107077	€ 2,99
64	Nut, M8x1 slim, e.g. throttle shafts,..	107036	€ 0,56	65	Lock shim, e.g. throttle shafts	107035	€ 1,79
67	Seal ring f.throttle shaft,1st.barrel	107033	€ 4,15	68	Lever, carb.II	107106	€ 124,95
69	Extensionspring, follower lever at carb. II	107031	€ 14,93	70	Lever, carb.I	107105	€ 124,95
70	Support, carb. I	107103	€ 35,44	71	Spring, idle adj.screw	107074	€ 5,06
72	Distance shim	107037	N/A	73	Choke lever, carb.I	107104	€ 26,89
74	A0000711372 Hex nut f.107128	107129	N/A	75	A0000710353 Spacer bushing	107034	N/A
76	Spring at carburator, starter flap	107092	€ 11,03	77	Throttle shaft spring, carb.I	107110	€ 11,65
78	Throttle shaft spring, carb.II	107111	€ 11,65	79	Lever on starter flap shaft, for limiter	107112	€ 15,33
80	Screw Socket Ffuel Line A0009971072	107117	€ 37,19	81	Seal ring at threaded fitting	107097	€ 0,60
82	Sunk screw, slot, spec. carb cap	107056	€ 2,39	82	Sunk screw, slot, spec. carburettor cap	107856	€ 2,39
83	toothed lock washer, external teeth 6,4mm	107051	€ 0,24	84	Screw, square head	107078	€ 5,53
84	N912006006002	107079	N/A	85	Float, fits Solex 44 PHH	107843	€ 99,16
86	Float chamber needle valve ring	107067	€ 1,57	86	Float chamber valve, M12 fits Solex	107080	€ 39,84
87	Idling jet size 50 (190SL early)	107072	€ 7,53	87	Idling jet 55	107073	€ 10,29
88	Idle mixture control screw, Solex carb.	107032	€ 5,40	91	A0000710849 Mix tube 42, 2nd	107099	N/A
92	Air correct.jet (1st channel)	107091	€ 10,92	93	Air correct.jet (2st channel)	107089	€ 11,04
96	Seal ring at carb.	107059	€ 0,19	97	Acc. jet tube	107071	€ 84,49
100	A0000700146 Ball valve at carb.	107087	N/A	101	Seal ring at carburetor valve	107088	€ 2,69
102	Hollowscrew M6 x 0,75 x 15, carb. drain pipe	107027	€ 10,95	105	Main nozzle 115, 1st	107064	€ 4,99
105	Main nozzle 120, 1st	107062	€ 19,52	105	Main jet,size130(1st channel)	107066	€ 16,09
106	Main nozzle 160, 2nd	107065	€ 6,55	107	Seal ring	107069	€ 1,80
110	A0000700746 Threaded fitting w. valve	107025	N/A	111	N003862004000	107094	N/A
112	Vacuum hose	107096	€ 6,66	113	N003871004102	107093	N/A
121	A0000716871 Screw at venturi tube	107121	N/A	126	Sprayer tube 1st / 2nd	107126	€ 172,55

09 Air Intake and Fuel Pump

09.a Air Intake and Fuel Pump

09.a Air Intake and Fuel Pump



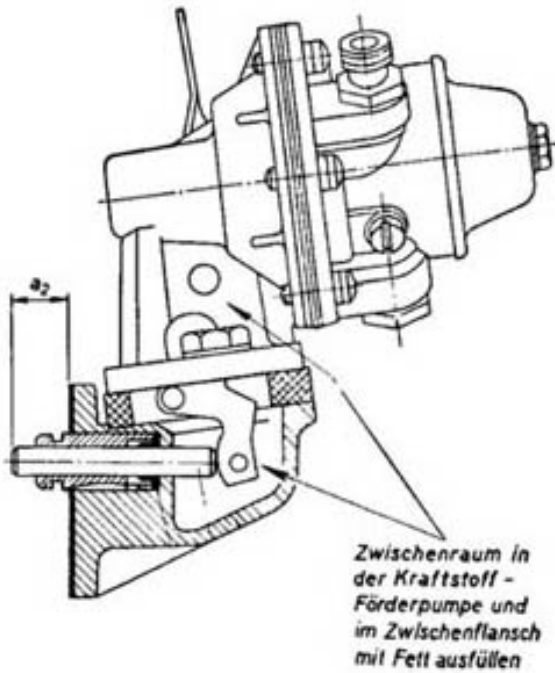
Intake manifold and carburetor housings are injection molded (previously sand cast) from engine number ..921-5500709 (09.'55); as identification marks please check the form of the channel seals 7 + 8 in the picture. If the collection tube and filter housing have not been installed or have been newly installed, the reason could be a previous installation of Weber carburetors. In this matter, check that the surrounding parts (support no. 9, fuel lines, suction ducts with duct transition) are considering the new situation.

	Fuel line 190SL Repro, demountable see 199924	107210	N/A	Gasket at crankcase, 190SL, M110 early, see 107814	109804	€ 2,25	
	1m cooling water hose 12/19mm	114034	N/A	A1201550081 see 115017, rbr shim	107014	N/A	
1	see 250823	250823	€ 7,14	Air filter unit 190SL complete, Repro	115017 114620	€ 1.142,96	
1	air filter insert 190SL	250023	N/A	2	A0000941255 Snap fastener,air filter	214025	N/A
2	cotter pin 3 x 28, fits 314025 ...	114400	€ 21,00	2	Rubber seal ring, filter bucket	109025	€ 15,35
2	Lock f.filterbox, flat spring	314029	€ 0,32	3	Air filter intake snout	109205	€ 94,22
4	Air filter pad 190SL	314825	€ 9,98	5	Clamp, air hose	114610	€ 3,15
5	Air hose to intake manifold	109020	€ 27,19	5	Air hose to intake manifold	209004	€ 53,10
5	1m metal strip, 9mm clamp	109800	€ 94,80	5	product replaced: Lock / winding clip for 9mm stra	109035	€ 2,09
6	Air intake tube,(except'55) Repro	109030	€ 4,00	6	Air tube -> M5500708, reconditioned	109102	€ 2.899,99
6	simplified repro, doesn't reach quality of genuine	109101	N/A	7	Gasket air tube to carb.->55	109043	€ 9,13
7	Gasket air tube to carb.->55	109100	€ 1.100,75	8	Gasket for air tube 1956->	109045	€ 5,00
8	Gasket, air tube '56->	109743	€ 8,33	9	Carburetor support	109105	€ 37,59
		109245	€ 3,49				

10	retainer shim, div. M8 mounts	109107	€ 3,45	12	Metal tube	199024	€ 9,57
13	9mm Spacer, from Eng# 8501730	109106	€ 11,54	15	Screw M6x18 e.g. Filter box 190SL,bonnets, ..	109024	€ 0,38
16	Bracket,.921 air tube strut 8501731->	101072	€ 36,03	16	Bracket,.921 air tube strut ->8501731	101071	€ 15,10
16	Bracket,.928 air tube strut	101073	€ 70,03	17	Washer on carburettor flange	107013	€ 3,99
18	Rubber flange w. metal insert	107811	€ 84,49	18	Rubber flange, carburetor to manifolds	107711	€ 7,09
20	Spacer sleeve on carburettor flange	107012	€ 5,99	22	Intake manifold 190SL, unfinished, Repr	114600	N/A
22	Intake manifold 190 SL	114900	€ 919,99	23	Threaded fitting e.g. air manifold	114030	€ 27,85
24	Alu ring 22mm	199924	€ 0,60	25	Plug screw M22 with collar	114035	€ 24,61
27	Plug screw M24 conical, no collar	114025	€ 8,98	28	Threaded fitting, intake channel	114020	€ 28,19
29	Water return pipe, intake to pump	114045	€ 49,36	30	Fixing ring f. sync-breather pipe	114026	€ 7,12
31	Screw fitting	114027	€ 14,88	32	Metal tube, carb-air/vac line	114028	€ 7,35
33	Plug screw M18 conical, no collar	114031	€ 12,79	34	Screw nipple for ATE booster	114032	€ 25,59
35	Exh-/Intake gasket ELRING	114000	€ 8,53	36	Nut, M10, exh manifold	114008	€ 1,25
37	Washers, e.g. exh.manifold->head	114007	€ 9,98	45	Fuel line, pump to carbs,REPRO, fits Solex+109090	107009	€ 249,90
46	Overflow pipe late, Repr	107108	€ 164,99	46	Overflow pipe, end	107047	€ 39,66
46	Overflow pipe, end	107847	€ 32,49	47	Mounting clamp	107044	€ 9,75
48	Clamp at thermostat	107053	€ 13,20	49	1m fuel hose ID 7,5mm, surface(outer) fabric	947046	€ 4,99
49	1m. Fuel hose 7,5x13,0 flat surface	247007	€ 8,50	51	Carburetor drain pipe	107024	€ 163,20
52	Hollowscrew M6 x 0,75 x 15, carb. drain pipe	107027	€ 10,95	53	Seal ring at carb.	107059	€ 0,19
54	Tube clamp	107046	€ 28,62	55	Clamp, fuel line 10mm diam.	107038	€ 47,66
63	screw-in fitting,fuel hose connection, M12X1,5 8mm	409012	€ 6,19	63	Threaded fitting, fuel pump, M12/M14	109011	€ 25,57
64	Seal ring at threaded fitting	107097	€ 0,60	65	Mech. fuel pump, engines with no drive flange	509092	€ 70,50
65	Kraftstoffpumpe Pierbg. see Bild	509093	N/A	65	Fuel pump, as original with primer lever with gask	109090	€ 308,88
65	Fuel pump similar 509190, but labelled "Pierburg"	509090	€ 97,28	66	spring ring for M5 head screws	199041	€ 0,10
66	Repair Kit Fuel Pump A0005860009	109010	€ 93,91	67	hex. socket head cap screw, zinc plated, M8 X 28	109008	€ 1,99
67	Insulating flange, e.g @ fuel pump	109001	€ 8,32	68	Gasket, fuel pump to insul.flange	109002	€ 1,88
69	A1800900144 Mounting bracket	109003	N/A	70	hidden seal, f/p flange	109005	€ 5,95
71	A1800910150 Plunger bushing	109007	N/A	72	A1800910108 Actuating plunger	109006	N/A

09.b Comment Fuel Pump

09.b Comment Fuel Pump



Orig.-Pumpe mit Handhebel

Durch Umbau sind häufig kleinere Nachrüst-Pumpen vorzufinden, teils mit geänderten Leitungsanschlüssen !

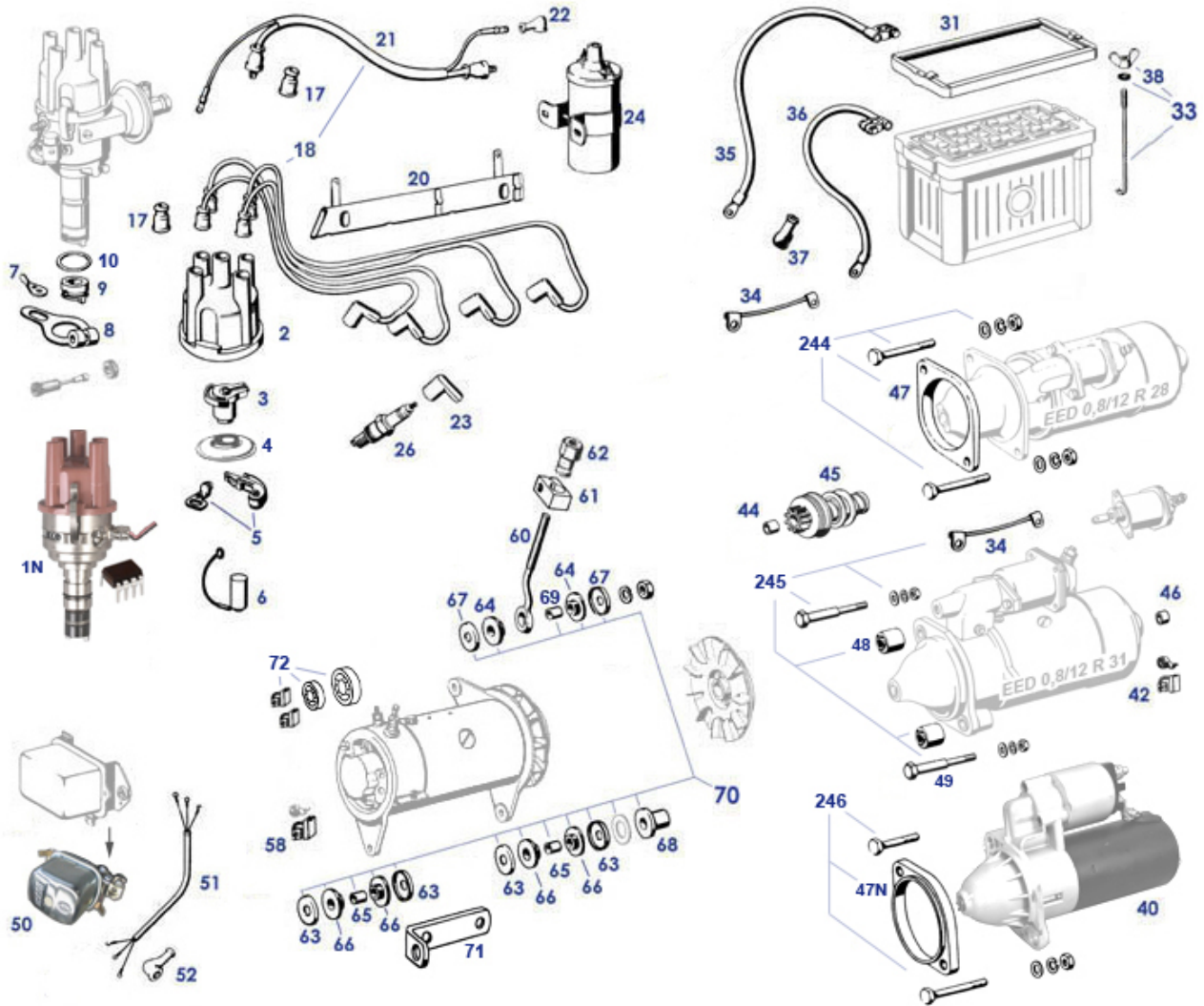
This type of pump corresponds to the 190SL original equipment, but can be replaced by mechanical pumps from the free market. Frequently: retrofitted additional filters in the pressure line. When retrofitting, please check the connections of the suction and discharge lines, the reserve cock and the ram flange. The position of suction / pressure connection can be rotated by re-assembling the upper pump housing shell. Depending on the speed, intact pumps can provide an output of approx. 0.15 bar (starting speed) up to 0.3 bar and 35 ltr / h (up to 70 ltr / h at high speeds). Adjacent to dimension a2, the required clearance from 0,4 - 0,5mm results as a difference to the cam base circle in the motor, please check. The diaphragm hole circle of 70mm is a recognition mark for the compatibility (pump SLS 109090, rep. Set SLS 109010) Contemporary retrofits were also made by electric pumps, possibly with the omission of the reserve cock and in conjunction with Weber carburetors.

Insulating flange, e.g @ fuel pump	109001	€ 8,32	Gasket, fuel pump to insul.flange	109002	€ 1,88
A1800900144 Mounting bracket	109003	N/A	Gasket at crankcase, 190SL, M110	109004	€ 0,51
			early,		
hidden seal, f/p flange	109005	€ 5,95	A1800910108 Actuating plunger	109006	N/A
A1800910150 Plunger bushing	109007	N/A	Repair Kit Fuel Pump	109010	€ 93,91
			A0005860009		
Threaded fitting, fuel pump, M12/M14	109011	€ 25,57	Fuel pump, as original with primer lever with gask	109090	€ 308,88

15 Electric Equipment (Engine)

15 Electric-Equipment (Engine)

15 Electric-Equipment (Engine)

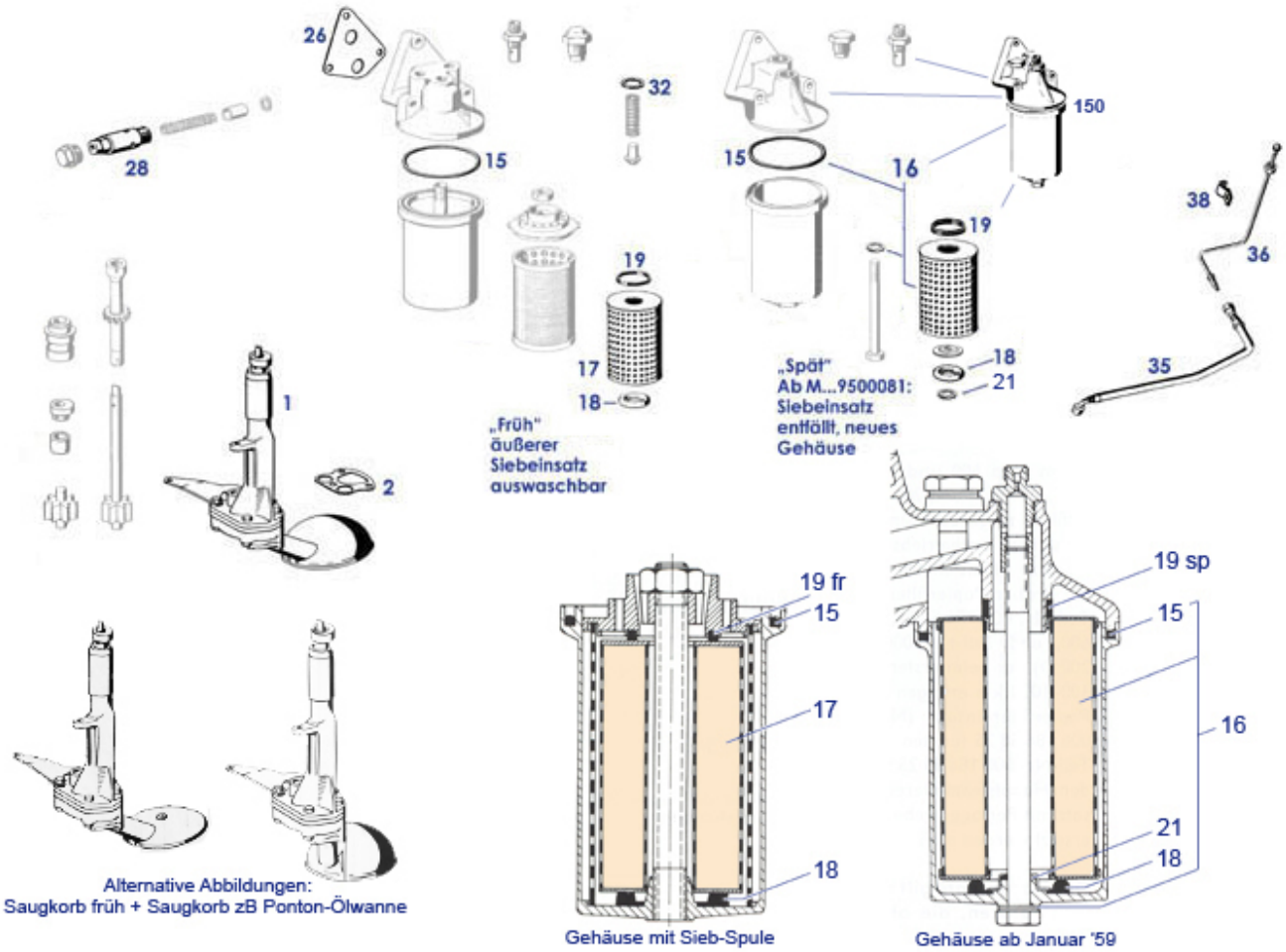


	M12 DIN 127 lock washer	233042	€ 0,39		Spring for brushes of starter	115016	N/A
	Ignition Coil "Pertronix Flamethrower-I"	554702	€ 152,32		no used part required	115900	N/A
	Starter e.g. 190SL from ..7500129, new Bosch	115000	N/A		Plug hsnng.Regulator, 3xflat	254080	€ 7,28
	hex nut M12 X 1,5 zinc plated class 10	233046	€ 1,58		Bolt M12 x 80, e.g. Starters up to 1957	115044	€ 2,06
	hex nut M12 X 1,5 zinc plated pls order separate components	235229 115190	€ 0,65 N/A		hex nut M10 (hex17), hot zinced Starter overhauled, 190SL, used original required	199148 115200	€ 0,57 € 737,80
	Locking ring M10	299328	€ 0,38		Del. t. set starter repair parts 190SL, Repro	115701	N/A
	Ignition coil, Beru	115802	N/A		hex. head bolt grade8.8 yellow zinc plated M12X90	115249	€ 2,33
	see 115745	115845	N/A		Overhaul Service Generator, req.info	115003	N/A
	N/A ! Spring,starter, carbon brush Shim eg.generator bracket frt	215048 115013	N/A € 4,59		Wire bushing with treaded pin	515999	€ 2,37
1	Set distrib. rep. fittings	115027	N/A	1	1-2-3 Ignition Distributor fits 190SL	115801	€ 317,79
1	Sp. clip, dist. cap to body	215026	N/A	1	Conversion kit Ignitor-II, 190SL VJ/VJR/VJUR 4BR	115703	€ 535,50
1	1-2-3 Ignition Distributor fits multiple 4 Cyl. mo	515801	€ 355,00	1	Set distrib. mtg. fittings	115021	N/A

2	Cap, fits Alu repl-distributor	115035	€ 31,59	2	Distributor cap from 5500937 to 024547, Bosch	115006	€ 98,19
2	distributor cap	115005	€ 79,90	2	Distrib.cap 5500937->024547, phn.resin	115025	€ 37,39
3	interchangeable wih 115004 (Beru)	215804	€ 45,73	3	Distributor rotor, phenolic resin	115026	€ 16,91
3	interchangeable with 215804 (Bosch)	115004	€ 15,73	3	Distributor rotor button	115024	€ 18,80
4	Dust cover, inside distributor	215012	€ 8,50	5	N/A ! Pointer set,distrib.'new type' (Alu/8)	115029	N/A
5	Point set for Dist. 5500905 to 024548	115001	€ 10,00	5	Pointer set M180, M127 early	415013	N/A
5	Pointerset, eg 190SL from 024548 VJR4BR29	115009	€ 84,14	5	Pointer set 190SL from 024548, Bosch NOS	115809	€ 58,42
5	Pointer set e.g. Pontoon, see picture	415009	N/A	5	Cont.b.set, 230-280SL 'G'	215003	€ 18,15
6	Condenser f.'Alu' w.no1-lead	215037	€ 6,10	6	Capacitor w/o bracket, BERU	215807	€ 7,88
6	Condenser, early w. bracket	115008	N/A	6	Capacitor 190SL, 113-"G" (iron dist)	215007	€ 6,90
7	Eccentric adjjuster	115074	€ 44,39	8	Distance ring	115077	€ 3,89
8	Adj. flange R4+R6 1958-1968	115073	€ 31,32	9	Distributor drive dog incl pin+spring	215036	€ 24,81
10	Seal ring I/D 21,5 / material 4,75 mm ref.-No.	715229	€ 0,48	17	Silicone ign lead, 1m	215116	€ 8,77
17	Prot.sleeve ign.leads -> distributor	215815	€ 2,73	17	A1811500128 Ign.wire: resistance to coi	215016	N/A
17	N/A solder-on connector. replace with 515999	215999	N/A	18	Ign.wire kit 190SL,180.'Dowal+BO'	115101	€ 118,44
18	rubber cap ID 11mm eg spark plug connectors	515998	€ 0,87	18	Ign. Wire harness w.o. metal tube, Bosch connector	115100	N/A
18	Ign.lead set 180-190b,c,SL, late1KOhm	115102	€ 127,33	20	Spring washer, fits M6	181028	€ 0,18
20	Metal tube for ign leads	115110	€ 70,46	20	Hex Bolt M6 x 10 yellow zincd	299997	€ 0,35
21	Cable set, coil/distributor	115050	€ 36,89	22	A0005463335	254951	N/A
23	Spark plug connector, 1kOhm, angled, Bakelite	115056	€ 18,56	23	N/A Spark plug connector 90°, Bakelite, 1kOhm	115055	N/A
24	Ignition coil, late 190SL, others, NGK	115602	€ 43,85	24	Ignition coil, late 190SL, others, Beru	115702	€ 49,98
24	Ignition Coil "Pertronix Flamethrower-II"	554711	€ 138,64	24	Ignition coil, late 190SL, others, Bosch, can be r	115002	€ 52,73
26	Spark plug, NGK BP7ES	215019	€ 3,67	30	1 litre accu acid, no shipping pickup and del-t: battery 190SL	954048	N/A
30	Battery 12V/56Ah dry uncharged	154085	N/A	30	1x Hold down screw + wing nut	154785	N/A
31	Battery hold down frame	154075	€ 73,90	33	Ground wire, starter flange -> firewall	154086	€ 7,97
34	Starter ground cable to clutch housing	154006	€ 36,99	34	Starter wire (+)	154107	€ 43,99
35	Neg.-batterie cable	154598	€ 83,90	36	Rubber cap, starter wire, small	154599	€ 105,90
37	Cap, starter terminal	154056	€ 5,71	37	Wing nut, M6 yellow zincd, batt.support, pws tank	754026	€ 6,14
37	Rubber Boot on Starter Motor and Alternator	254126	€ 7,16	38	please read additional info	154089	€ 2,55
40	Starter, fits 190SL *, modern style 0,8 PS	115800	€ 339,15	40	Bushing, starter, d12,5xD16,5xL14	115700	€ 922,25
42	Set of carbon brushes	115011	N/A	44	Starter drive gear 190SL, no name	115031	€ 8,95
45	N/A ! Starter drive gear 190SL, Bosch	115030	N/A	45	Spacer ring for FN starters, see picture, D10mm	115830	€ 249,50
46	Bushing, starter, d12,5xD16,5xL11,5	115032	€ 0,95	47	Silent bushing, fits Bosch starter 57-63	115045	€ 174,73
47	Spacer ring for FN starters, see pictur D11,5mm	115745	€ 147,95	48	Regulator 14V/11Amps (130W) Bosch, elektr.	115046	€ 66,02
49	Bolt, starter .921	115049	€ 16,01	50	Regler original Bosch-Ersatz zu 190SL	415065	€ 219,41
50	co-current flow regulator 14V 30A	415066	€ 309,91	50	Regulator for 20A DC Generators, 190SL, Repro	115866	N/A
50	Regulator, overhauled, fits generator 190SL	115066	N/A	50	Rubber dust boot (at Gen. .)	115766	€ 261,80
51	Generator to V-reg. harness	154008	€ 62,00	52	Set of 2 carbon brushes, generator	254051	€ 3,25
58	Set of 2 carbon brushes, generator, Bosch	115014	N/A	58	LHD-Generator tensioner bolt ->M015137	115814	€ 10,10
60	Generator tensioning screw, late LHD (large eye)	115023	€ 191,24	60	fits 115022	115042	€ 170,00
61	retainer shim, div. M8 mounts	115022	€ 23,92	62	Rubber spacer, generator supp, 190late	115059	€ 11,31
63	Metal tube	109107	€ 3,45	64	Rubber bushing, e.g. generator->rod	115819	€ 4,26
65		199024	€ 9,57	66		115817	€ 1,75

18 Lubrication (Engine)

18 Lubrication (Engine)



Filter image on the left: early version, on the vehicle recognizable on the steel plate pot.

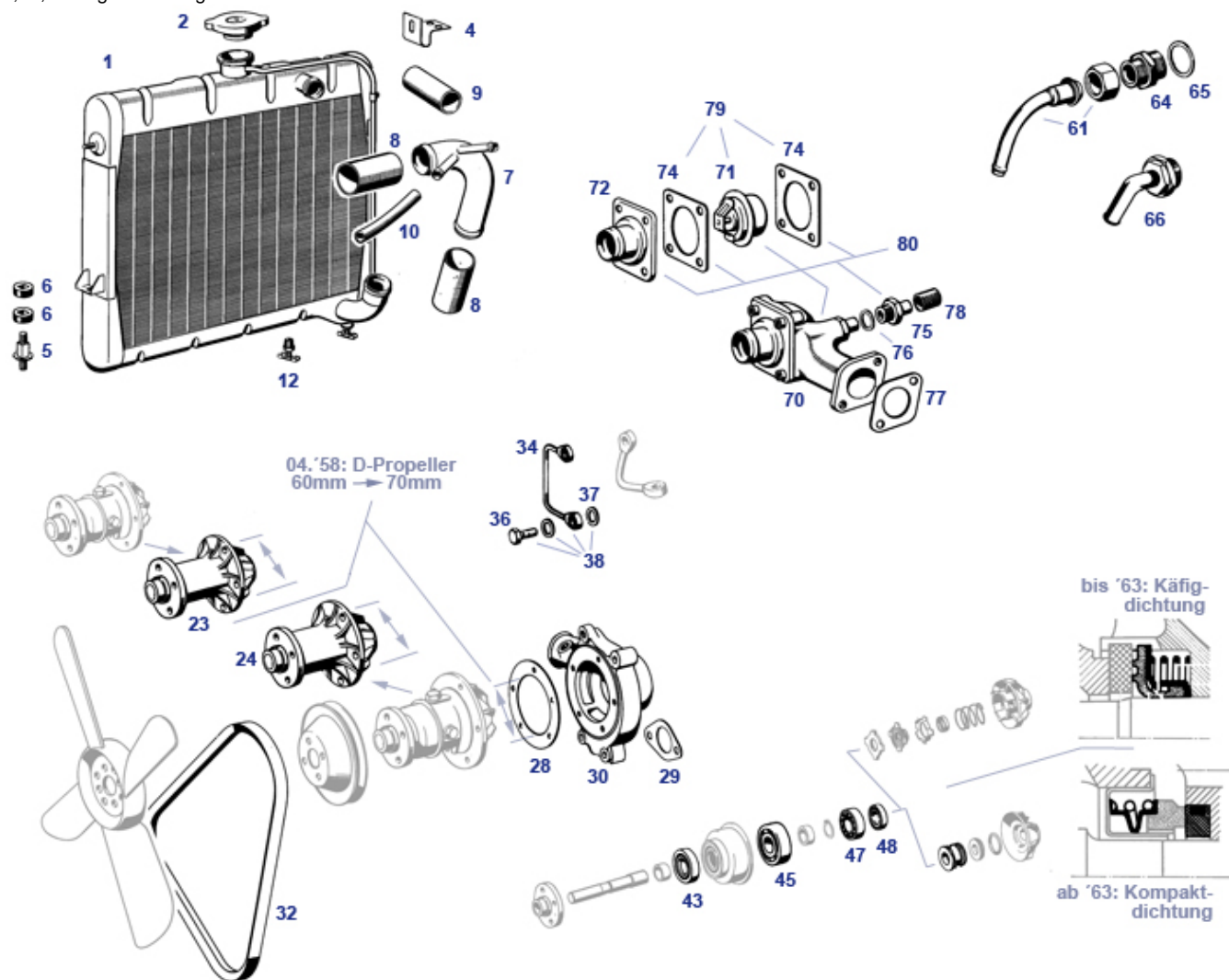
	A1800500506 Sprocket shaft	105038	N/A	A1211800307 Drive shaft with gear	118012	N/A	
	Plug screw M24 e.g. pressure valve see 154957 hose	218816 154057	€ 29,75 N/A	A1301800056 see 218816	218415	N/A	
	Oil strainer->59	118041	€ 148,51	A1801500107 Distributor drive bushing	105039	€ 136,85	
	A1800910312 Cam for oil pump shaft	118016	N/A	InHex bolt 12.9, M8x30, sump, ...	118018 118014	€ 2,05 N/A	
	hex socket head cap screw M8 X 75	118013	€ 1,50	Ring, filter housg, upper MB-orig:A0001843380	118943	€ 11,78	
	A1811840030 Valve cone	118004	N/A	A0001840556 see 218815	118010	N/A	
	A0001841108 Oil filter housing, upper p	118003	N/A	A1819930601 Spring	118001	N/A	
	A1801840117 Connection fitting,oil pres	118002	N/A	1	A1211802401 Oil pump	118006	N/A
1	contents: no suction funnel	118806	€ 681,99	1	A1211802801 Oil pump e.g. 319, ...	418006	N/A
2	Gasket,oil pump housing	118005	€ 14,28	11	A0001849701 Oilfilter w, hsg. M021750->	118050	€ 327,25
12	Housing for Oilfilter (lower part, flat bottom)	118070	€ 248,70	15	Ring, sealing, filter/housing	118009	€ 1,24
16	Oil filter 190SL / W113 Reproduction	118842	€ 4,99	16	Oil filter incl. gasket, 1959-> "MANN"	118042	€ 10,59
17	Oil filter ->12.'58 "Micronic"	118040	€ 11,42	18	Ring, pressure, in hsg., lower	118045	€ 5,57
19	Rubber ring, oil filter upper	118044	€ 5,32	19	Ring, filter housg, upper	118043	€ 2,50
21	Seal ring, housing bolt	118046	€ 1,43	26	Gasket, upr.filter hsg./engine	118008	€ 1,69
28	Oil pressure relief valve	118100	N/A	32	Seal ring 18x22 Al	109019	€ 0,94
35	Hose,eng.to gauge-pipe,late M10-M8 445m	154059	€ 52,00	36	Oil pipe RHD ->59 M10	154062	€ 105,73

36	Oil pipe LHD ->59 M10	154064	€ 77,98	36	Oil pipe LHD 59-> M8	154065	€ 85,09
36	Oil pipe RHD 59-> M8	154066	€ 121,39	38	Clamp 5mm e.g. brake lines	143038	€ 0,50

20, 50 Cooling System

20,50,83 Engine Cooling

20,50,83 Engine Cooling



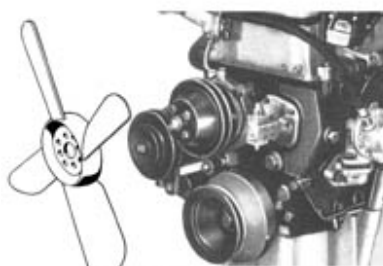
The situation permits the mounting of different pump insert units (for example 3-hole, pontoon), more information on page 20.a "Water pumps". Used radiator can be worked up with new cooler net, if all outer housing parts are present and not too much damaged.

	coolant hose 38/50, 1m, Continental	150205	€ 61,24		Rubber spacer at radiator mount	150003	N/A
	coolant hose 32/44, 1m, Continental	150204	€ 55,70		A1212050010 Pulley for fan at pump	120000	€ 368,90
	Clamp, water pipe	183104	€ 14,35		example: water pipe at 58-> engines	120831	€ 10,82
	Water pump, L=75mm, 3-hole, non service	420019	€ 100,15	1	Radiator 190SL, please order 550016 also	150700	€ 1.299,00
1	Radiator 190SL	150800	€	1	We would be happy to advice you Radiator 190SL, e	150200	N/A
1	Mesh, radiator repair	150220	€ 349,99	2	+110+111 up to 1967	150017	€ 29,75
2	As long as stock lasts! cap for coolant reservoir,	150917	€ 48,46	4	Leaf spring, 190SL radiator mount upper	150022	€ 37,35
4	Plate, radiator clamp downhold	150023	€ 8,12	5	Mounting bolt	150708	€ 13,49
5	Mounting bolt	150008	€ 13,27	6	Rubber spacer at radiator mount	150803	€ 4,09
7	Distributor pipe 190SL LHD, Repro	150001	€ 99,95	7	Distributor pipe 190SL RHD	150002	€ 109,68
8	1m waterhose 38x46mm	150805	€ 20,83	8	1m waterhose I.D. 38 mm	150105	€ 25,47
9	1m metal strip, 9mm clamp	109030	€ 4,00	9	product replaced: Lock / winding clip for 9mm stra	109035	€ 2,09
9	1m waterhose 32x44mm	150104	€ 15,35	9	1m waterhose 32x44mm	150804	€ 29,69
12	A0005010065 Drain valve @ radiator lowe	150018	€ 190,00	23	Waterpump afm. ->58	120017	€ 73,90

24	Water pump late (58->) aftermarket	120018	€ 78,90	27	M8x15-933 hex head bolt	142912	€ 0,56
28	Screw M6 e.g. Bonnet hinges	299289	€ 0,38	28	Water Pump to Hsg. gasket	120009	€ 1,02
28	Water Pump to Hsg. gasket	120709	€ 1,59	29	Gasket, housing to engine	220014	€ 1,25
30	Pump housg.180-190SL->58 (small)	120105	€ 632,83	30	NOS Pump housg, fits late propeller	120104	€ 322,00
32	Fan belt 10 x 850, 190SL RHD, 220SE	120101	€ 4,61	32	Fan Belt 10 x 825	120100	€ 4,20
34	Breather line 8501223>	120041	€ 49,99	36	Hollow screw, air venting	220010	€ 2,49
37	Sealing ring ID8, eg. for hollow screw	220011	€ 0,10	43	Seal ring	120027	€ 4,46
45	Water pump front bearing	120025	€ 5,50	47	Water pump rear bearing	120022	€ 5,13
48	Seal ring	120021	€ 14,99	52	Seal ring w.spring, oem pump	120003	€ 5,41
61	Pipe elbow @ cylinder head, >8501757	120030	€ 66,46	61	Pipe elbow @ cylinder head, >8501757	120830	€ 36,06
64	Threaded fitting, head->elbow	120038	€ 64,00	65	N007603030400	705136	N/A
65	sealing ring copper 32	120033	€ 1,31	66	A1802000419 Pipe elbow @ cylinder head	120031	€ 122,51
66	Pipe elbow @ cylinder head 928	120032	€ 106,60	70	Thermostat housing complete, Repro	120010	€ 277,98
70	Housing, thermostat, Repro washer M6, yellow zincd	120810	€ 215,99	71	Thermostat 79° Celsius	120012	€ 19,50
72	Cover, thermostate housing	299125	€ 0,21	72	Bolt 6x16 e.g. pan, in-hex	701319	€ 0,48
72	Seal, thermostat housing	120814	€ 39,50	72	Bolt M6 x 12 in-hex	299043	€ 0,36
74	Threaded fitting @ thermostat housing	120813	€ 5,60	74	Rubberseal, thermostat housing (2 req)	120713	N/A
75	Gasket, thermostate see 250823	120016	€ 26,79	76	Seal ring 16x20, Alu, e.g. hollow bolts	214078	€ 0,99
77		120011	€ 1,32	78	1m cooling water hose 12/19mm	250823	€ 7,14
78		250023	N/A	78	Hose clamp 20-32mm, worm thread style	750042	€ 1,09

20.a Info Water Pump

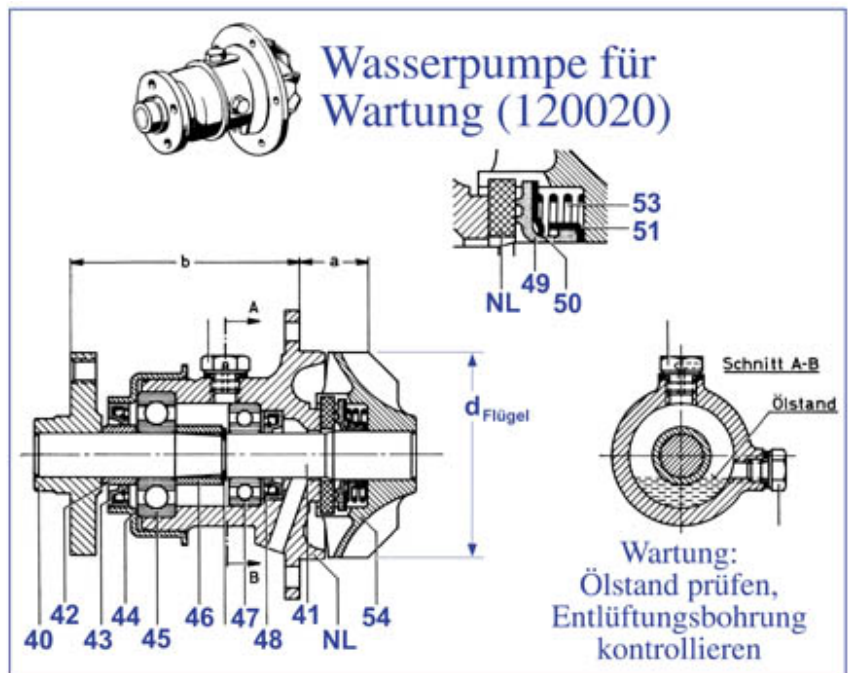
20.a Info Water Pump



190SL (hier M121.921)
4-Loch Nabe
für Riemenscheibe



Auch verwendbar:
"Wartungsfreie" Pumpen



Pumpen für 4-Loch Riemenscheibe:

Artikel

120017	->58, wartungsfrei Ersatz
120018	58->, wartungsfrei Ersatz
120020	58->, zerlegbar, original

Pumpen für andere Fzg. auf Anfrage

(z.B. 3-Loch-Nabe. Bitte Länge angeben)

"->58" =bis Motor M121.921 8501222 (Mai '58)
Wasserpumpe mit 60mm Flügelrad $d_{\text{Flügel}}$

"58->" =ab Motor M121.921 8501223 (Mai '58)
Flügelrad auf knapp 70mm vergrößert.
Betrifft außerdem Pumpengehäuse.

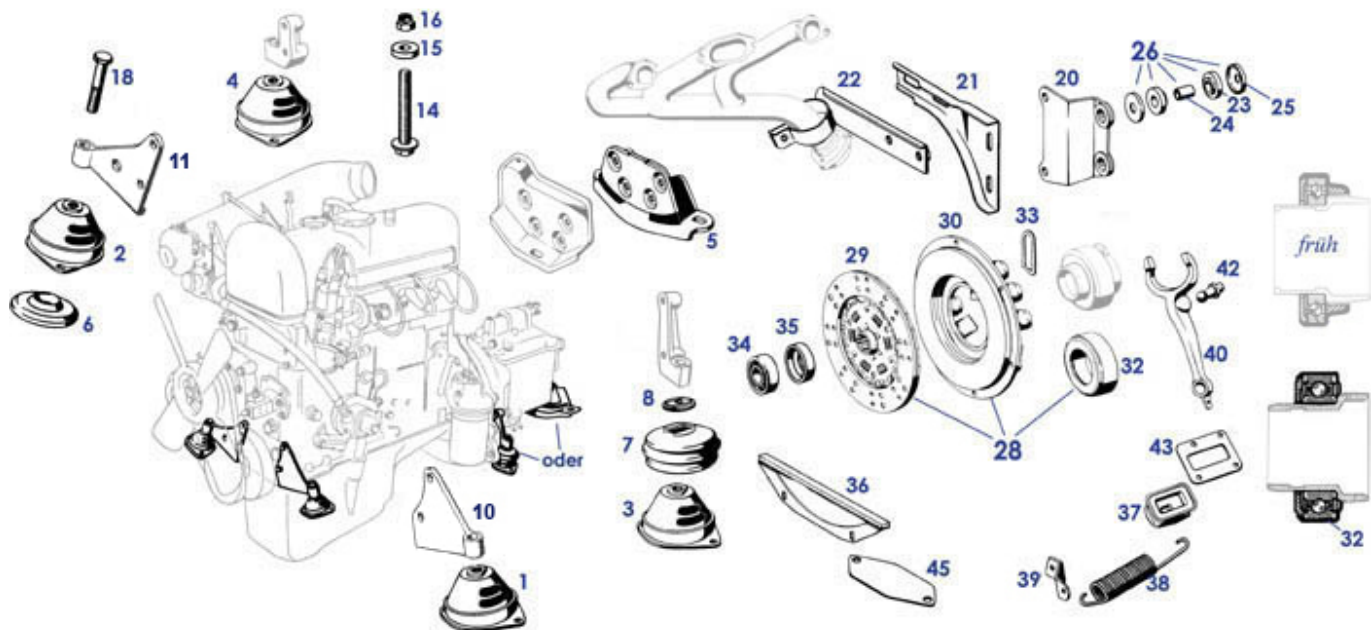
Achtung, viele Fahrzeuge sind modifiziert:
Wasserpumpen mit 3-Loch-Riemenscheiben ziehen
Änderungen nach sich. (Baulänge, Lüfterrad...)

	Water pump, L=75mm, 3-hole, non service	420019	€ 100,15			Water pump, L=75mm, 3-hole, non service	220020	€ 99,96
	Water pump, 3 hole, maintenance-free	420020	€ 103,59	40		A1212020014 4 Hole hub	120001	N/A
41	A1802010405 Water pump shaft	120002	N/A	42		A1802010018 Intermediate ring	120028	N/A
43	Seal ring	120027	€ 4,46	44		Cap, (renew seal ring)	120026	N/A
45	Water pump front bearing	120025	€ 5,50	46		A1802010151 Spacer sleeve	120024	N/A
47	Water pump rear bearing	120022	€ 5,13	48		Seal ring	120021	€ 14,99
49	A3122010318 Seal ring	120004	N/A	50		Slip ring cage	120005	€ 19,86
51	A3122010359 Seal ring cover	120007	N/A	53		A1809931101 Spring	120061	N/A
54	A1272010107 Pump impeller 05.58->09.63	120060	N/A	120017		Waterpump aftm. ->58	120017	€ 73,90
120018	Water pump late (58->) aftermarket	120018	€ 78,90	120020		A1212000220 Water pump, 4 hole. Orig, m	120020	N/A

22, 25 Engine Mount, Clutch

22.a Engine Mount, Clutch

22.a Engine Mount, Clutch



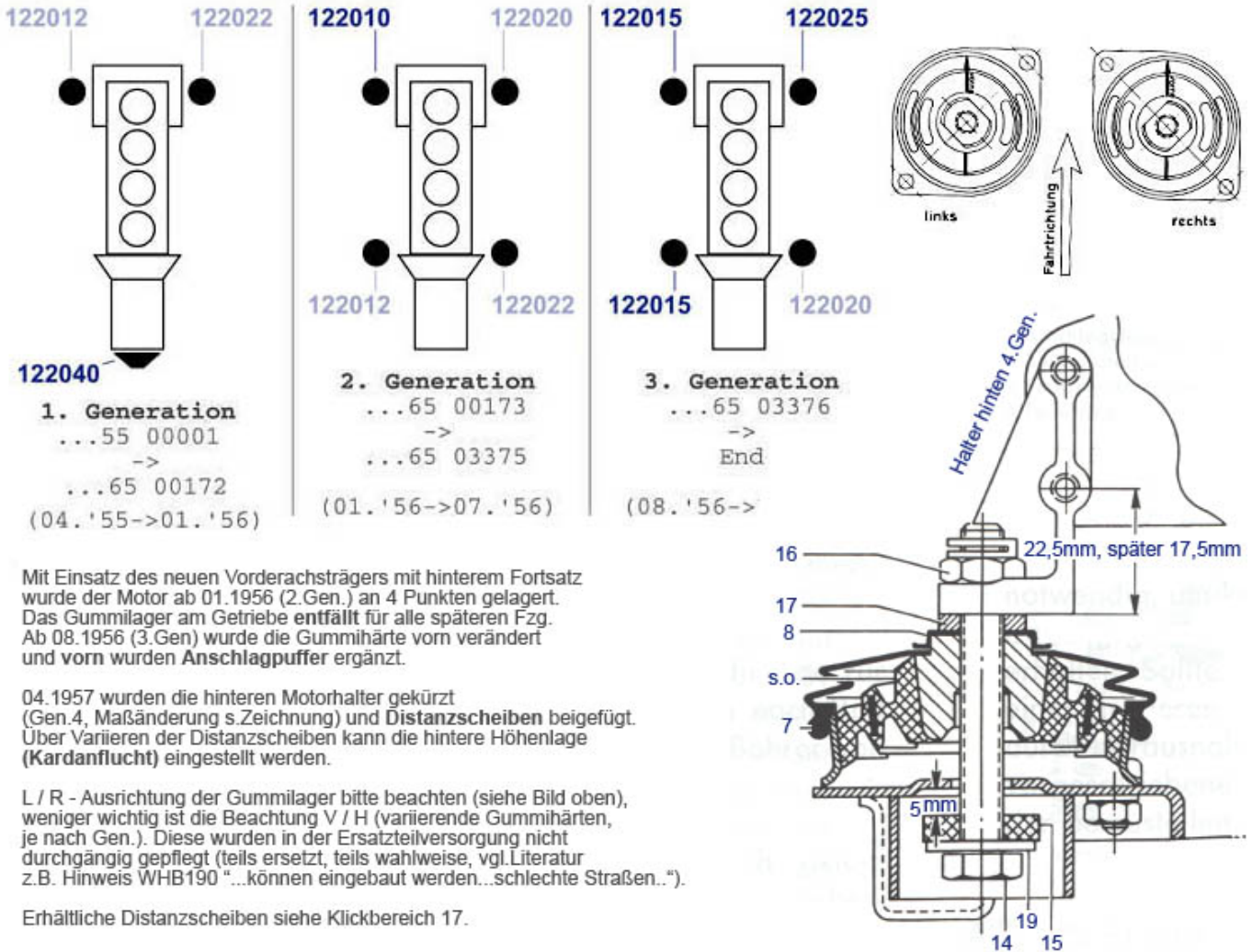
release bearing: In the "maintenance years", release bearings with different sleeve bodies were available at a favorable price. Without dismantling recommendation or availability of bearing rings can not be named. The comparison of the used sleeve body with the graphics can save money and avoid lost time by missing purchase. engine bearings: For explanatory details on the generations, see the following drawing board 22.b

	Bolt 57mm, rebound eng mount frt lower	222006	€ 25,73		Waved spring washer M8	799911	€ 0,18
	Screw engine mount rear	222025	€ 0,80		M12 DIN 127 lock washer	233042	€ 0,39
	A1212232704 Engine support, Lt. rear	122005	N/A		Locking ring M10	299328	€ 0,38
1	Bolt M8 x 16 zined	799947	€ 1,02	1	Motor mount, late 190SL, Rt.	122925	€ 79,99
	Engine mount 190SL left, R113 rear OE	122915	€ 79,99		Motor mount 190SL Lt./late , R113 rear	122815	€ 60,10
1	A1802230212 Motor mount 190SL Lt.	122010	N/A	2	Motor mount, late 190SL, Rt.	122825	€ 62,59
2	Motor mount, late 190SL, Rt.	122025	N/A	5	Nut, M10, exh manifold	114008	€ 1,25
5	Washer rr brake, betw.spring and shoes	142909	€ 3,15	5	Transmission mount, ->6500172	122040	€ 109,41
5	galvanized Spring washer M8	233059	€ 0,21	6	Buffer shim, frt eng mounts	122004	€ 7,95
7	Bellows, rear eng.mount	122830	€ 10,13	8	Plate, bellows @ engine mount	122035	€ 10,57
10	Engine support, front Lt.	122003	€ 62,80	11	Engine support, frt Rt early	122001	€ 79,33
14	Screw, rear eng.mount 750071->(L100)	122038	€ 27,73	14	Bolt, 190SL '56->'57, 6-Zyl-Pontoon,L90	122037	€ 11,69
15	Rubber shim 5mm eng support buffer	122039	€ 2,08	16	Nut e.g. Eng.mount M12/SW17 Copper	122041	€ 2,39
18	Screw engine mount M12 x 45	122009	€ 0,82	20	Mounting bracket for exhaust	149047	€ 165,40
21	Exhaust support bracket, late LHD	114016	€ 59,63	22	Exhaust manifold clamp from 6503210	114050	€ 113,84
23	Rubber shim at exh. bracket	114002	€ 3,83	24	Bolt M8 x 40	149059	€ 1,14
24	Bushing, e.g. support manifold bracket	114803	€ 4,33	25	Retainer at exh. bracket	114001	€ 6,55
29	Clutch disc	125010	€ 164,99	30	Clutch pressure plate assembly	125700	€ 265,47
30	Clutch pressure plate assembly	125000	N/A	32	T/O Cluch bearg. with body, 4-Cyl/FN	325003	€ 142,99
32	Release bearing fits sleeve '65-'68	225807	€ 88,95	32	T/O bearg fits sleeve '65-'68	225007	N/A
32	T/O bearing 4-Cyl, fits '58-'65 -sleeve	125002	€ 37,98	33	Spring clamp	125013	€ 19,85
34	Pilot bearing	103093	€ 11,31	35	Cover, pilot bearing	103094	€ 1,81

36	Cover plate	125056	€ 41,59	37	Dust boot, rubber, @ clutch lever	125005	€ 5,94
38	Clutch release spring 56->	129080	€ 13,39	39	Bracket for spring, LHD from 6501693	129081	€ 13,69
40	Throw out lever 190SL, no used part req	125081	€ 416,89	40	Throw out lever,exch., used part req.!	125080	€ 156,29
42	A1209910315 Ball pin for release yoke	125012	N/A	43	Seal holder, c.r.m.	225010	€ 11,84
45	Cover plate, clutch bell housing	125054	€ 11,29	45	Cover, 1956	125053	€ 11,70

22.b Info Engine Mounts

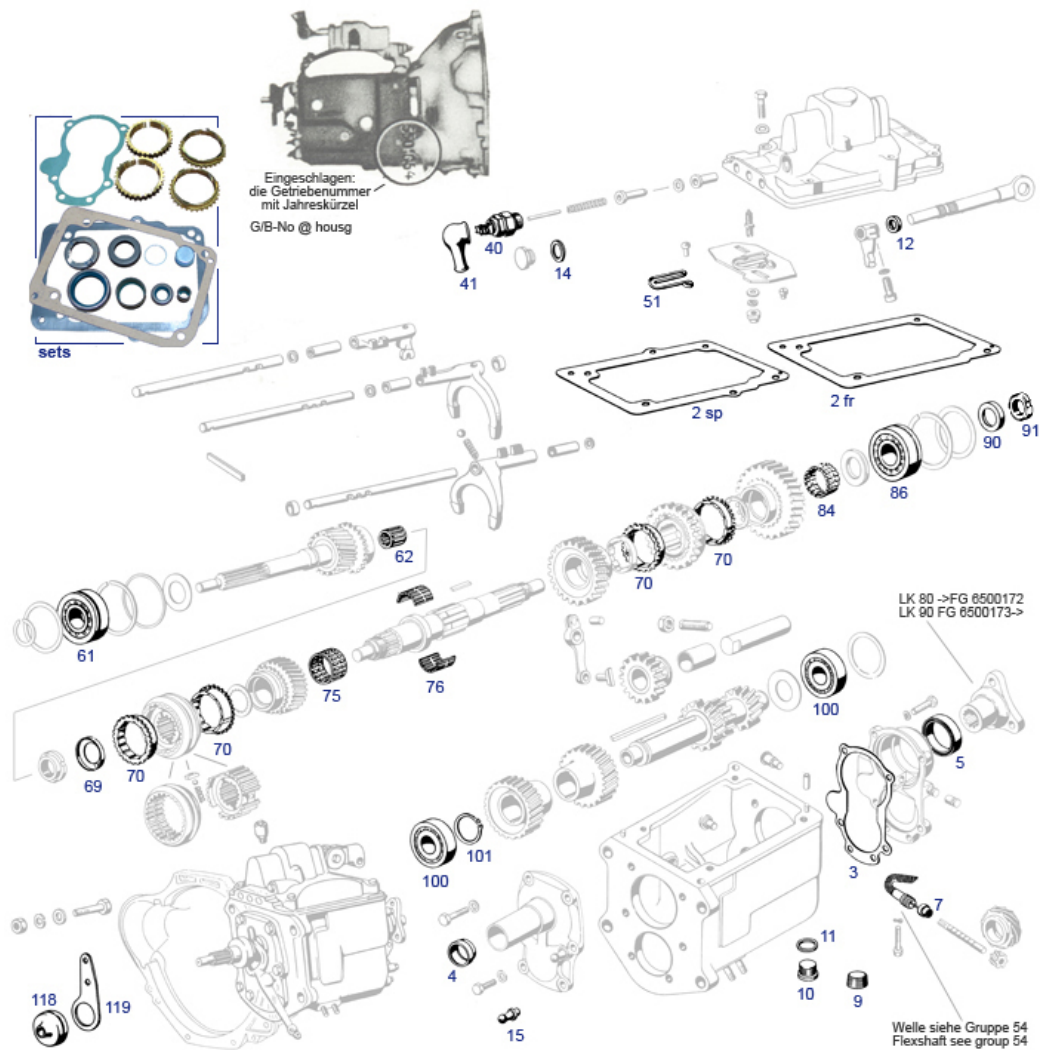
22.b Info Engine Mounts



	Motor mount, late 190SL, Rt.	122925	€ 79,99		Schraube M12x90, ersetzt 122037	922037	€ 3,61
	A1212230331 Plate ,eng mount,front,230S	222035	N/A	7	Bellows, rear eng.mount	122830	€ 10,13
14	Bolt, 190SL '56->'57, 6-Zyl-Pontoon,L90	122037	€ 11,69	14	Screw, rear eng.mount 750071-> (L100)	122038	€ 27,73
15	Rubber shim 5mm eng support buffer	122039	€ 2,08	16	Nut e.g. Eng.mount M12/SW17 Copper	122041	€ 2,39
17	Steel distance washer 5mm, e.g.rr eng	222022	€ 11,90	17	Shim,1 mm, rr.eng.mounts,if required	222023	€ 3,90
122010	A1212230012 Motor mount 190SL Lt.	122012	N/A	122010	A1802230212 Motor mount 190SL Lt.	122010	N/A
122015	Motor mount 190SL Lt./late , R113 rear	122815	€ 60,10	122020	Motor mount, late 190SL, Rt.	122025	N/A
122020	A1212230112 Motor mount 190SL Rt.	122022	N/A	122020	A1802230312 Motor mount 190SL Rt.	122020	N/A
122020	Motor mount, late 190SL, Rt.	122825	€ 62,59	122040	Transmission mount, ->6500172	122040	€ 109,41

26 Gearbox

26 Gearbox



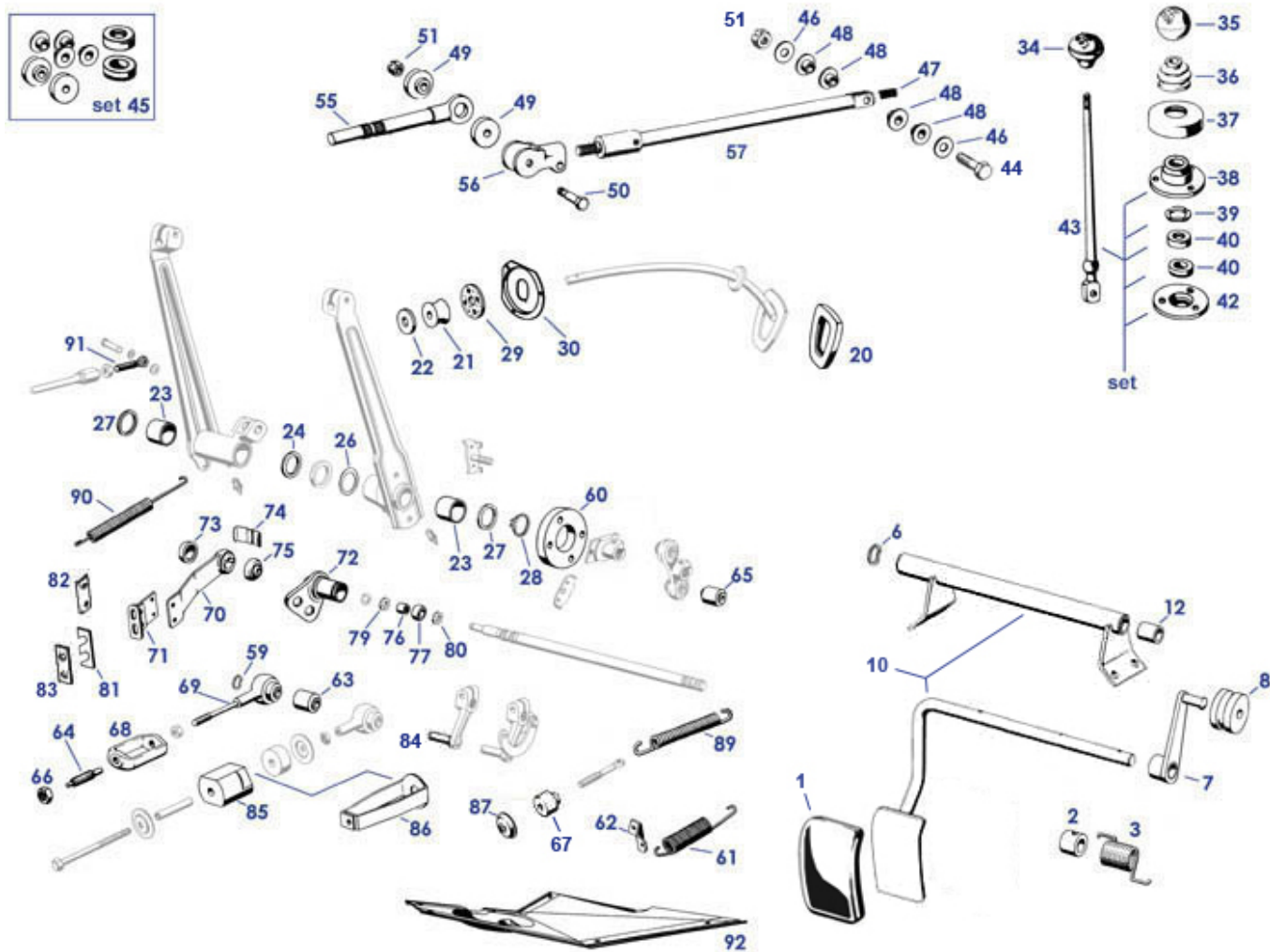
Gear ratio (gear pair) and shafts were changed during the construction period, synchronizer replaced in changed versions. The offered synchronizer rings correspond to the last version, please check compatibility before installation.

	Synchronizing ring, per piece	226750	€ 89,90		Cylinder roller bearg, main shaft	226059	€ 73,23
	226876 2X 226859 2X 226056 1X	226860	€ 809,20		see 126871	126071	N/A
	226058 1X 226061						
2	Trans. top cover gasket 025118	126015	€ 7,60	2	Trans. top cover gasket >025117	126018	€ 4,70
2	Trans. top cover gasket >025117	126718	€ 5,33	3	Gasket @ transmission rear case	126035	€ 3,05
4	Seal ring e.g. gear driveshaft IN, OD=3	126042	€ 4,25	5	Seal @ transmission	126030	€ 7,31
7	Seal ring speedo/rev drive	126039	€ 4,88	9	Plug screw M24 conical, no collar	114025	€ 8,98
10	Plug screw with collar, M24	226046	€ 1,64	11	Seal Ring gear box drain plug	226047	€ 0,44
12	Seal ring gear link / housg-top	226012	€ 3,68	14	Seal ring 18x22 Al	109019	€ 0,94
15	A1209910315 Ball pin for release yoke	125012	N/A	40	Reverse drive light switch	154023	N/A
41	Rubber cap, starter wire, small	754026	€ 6,14	51	Spring at shift link	126014	€ 14,33
62	Roller cage bearing, copper version	226056	€ 59,45	69	Lock washer,nut, main sht. fr.	226054	€ 3,25
70	Synchronizing ring, per piece, Reprö, nose-width 1	226050	€ 26,18	70	Synchronring	226850	€ 22,49
75	Needle bearing, 3rd gear,23	226057	€ 171,35	76	needle bearing set, main shaft	226058	€ 255,28
79	Flange 80mm, ref. Nr.: A1802620645	126008	€ 475,00	84	needle bearing main shaft for 1st gear	226061	€ 235,00
86	Ball bearing, main shaft	226959	€ 82,38	86	Ball bearing, main shaft	226859	€ 48,93
90	Lock for 3 way flange	126871	€ 4,75	91	Nut, flange, M24x1,5	126072	€ 21,00
91	Set 3 pcs tools, fitting MB grooved nut	258260	€ 327,25	97	Carrier, Synchronmesh mech.gearboxes up to 05.'69	226153	N/A
100	ball bearing countershafts,	226076	€ 52,18	101	N900055035300	299058	N/A

118	25x62x17 Rubber grommet 11/30, blue silicon 299517 rubber	€ 1,59	118	Rubber grommet 11/30, bulkh(190),107,..	299017	€ 1,59
-----	---	--------	-----	--	------------------------	--------

29 Gearshift and Pedals LHD

29 Gearshift and Pedals LHD

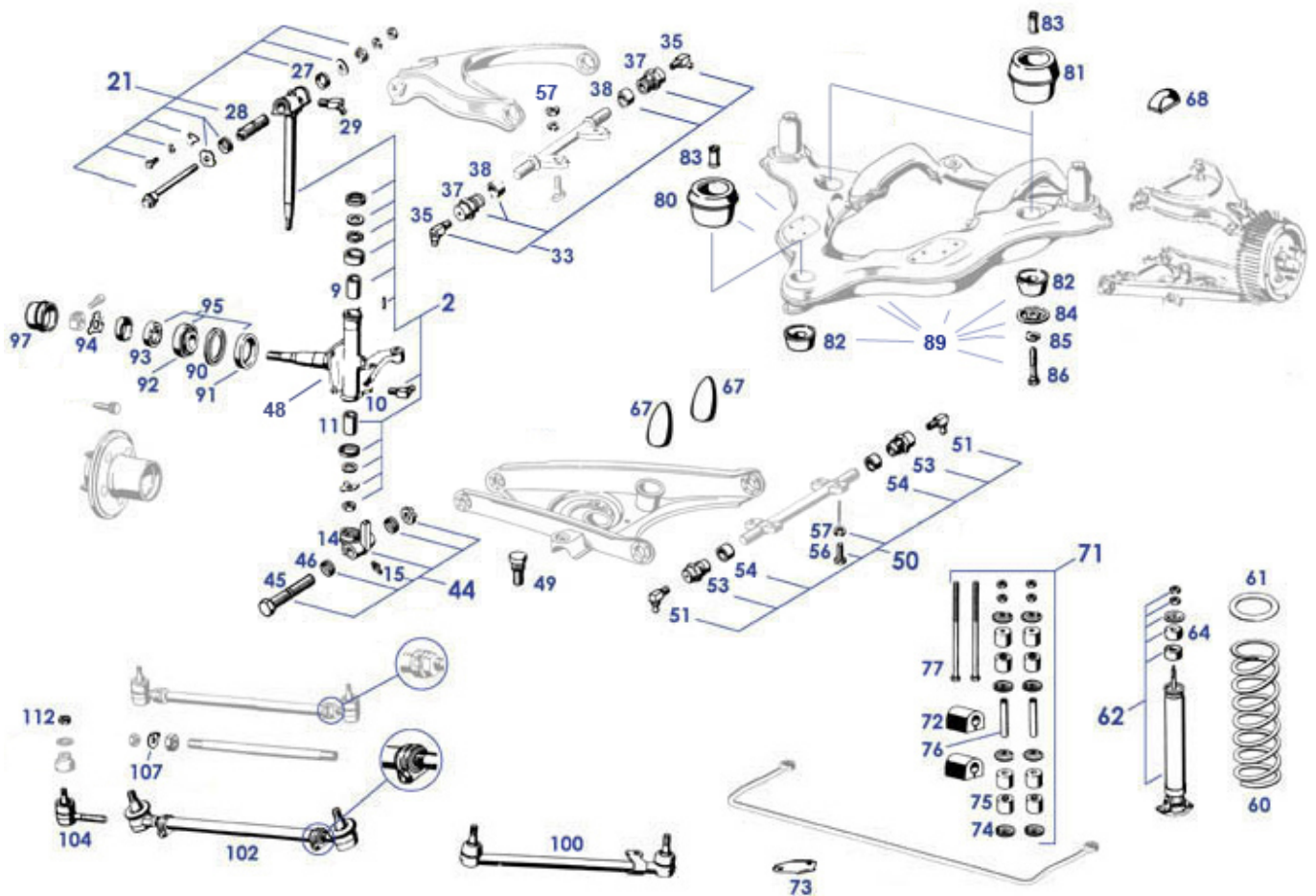


1	Dampening rubber for pull rod Accelerator pedal pad, rubber + foam	130200 129010	€ 11,75 € 17,65	2	Set shift lever with support A1213010227 Hub	126025 130023	€ 311,23 N/A
3	Gas pedal torsion spring	130020	€ 47,66	3	Coil spring, acc.pedal return	130021	€ 46,97
6	Spring washer	130044	€ 0,92	7	Acc. pedal lever LHD	130030	€ 191,53
8	Dampening rubber for pull rod 45 SHORE A	130800	€ 6,39	8	Buffer ring, acc linkage (60°SH)	230800	€ 6,39
10	accelerator pedal, without bushing and rubber, ref	130004	€ 249,00	12	Carb control shaft bushing	130045	€ 8,45
20	brake pedal pad, cushioned	429008	€ 24,86	20	Brake or clutch pedal pads	129008	€ 4,05
21	Damping / sealing shim, pedal shaft	129025	€ 6,60	22	Shim, 1 mm, rr.eng.mounts,if required	222023	€ 3,90
23	Bushing, pedal shaft	129026	€ 44,99	23	Bushing, pedal shaft	129826	€ 46,89
24	Washer 1.00mm	129024	€ 9,06	24	Washer 0,75mm	129022	€ 8,66
24	Washer 0.88mm	129023	€ 9,06	26	Ring 0.6mm	129021	€ 8,01
27	A0022645252 Washer	129077	N/A	28	Lock ring 26x1,2	299057	€ 1,26
29	Pedar rod seal, repro	129018	€ 17,26	30	Pedal shaft gasket guide	168015	€ 65,00
34	Gear lever knob, screw-on, 'Pilzform	126003	€ 36,00	34	Shifting lever Knob 58->ivory	126002	€ 35,43
34	Gear lever knob, push-on, 'Pilzform	126004	€ 29,63	35	Knob ivory, 4-speed, push-on, Repro	226002	€ 45,80
35	Gear lever knob,black,4 speed, Repro	226000	€ 46,34	36	Shifting lever rubber boot	126010	€ 15,59
37	Chrome cover @ gear shift grommet	126840	€ 32,50	37	Chrome cover @ gear shift lever	126040	€ 36,24
38	Shifting lever top flange	126050	€ 119,63	39	Spring washer	126055	€ 12,25

40	Bushing pan gear lever	226833	€ 7,44	42	Shifting lever, bottom flange	126060	€ 113,86
43	Shifting lever ->8500309	126020	€ 237,90	43	Gear/Shifting leverFN	226020	€ 266,83
44	Bolt, gear lever to -shaft, early	126034	€ 29,99	44	Bolt M7, e.g. gear lever from VIN ..42-10-004926	226034	€ 0,96
46	Washers,gear lever end bolt, ref.-No. A1119903540	226028	€ 18,50	47	A1369933101 Pressure spring >5500051	126013	N/A
48	Bushing Gear Linkage (required 4x)	126012	€ 4,75	49	Bushing gear lever rod	126811	€ 7,20
50	Bolt, gear shaft to box link	126033	€ 21,25	50	Bolt M7, lever link front eyes	226023	€ 15,89
51	Cotter pin 1,5 x 15	126824	€ 0,12	51	Nut M7, self locking	226024	€ 1,25
55	A1112600038 Shifting shaft	126029	N/A	56	Fork flange, shifting rod	226025	€ 197,60
57	Gearshiftrod, repro	126027	€ 316,41	57	Lever tube Repro/late w.buffer	126028	€ 422,45
59	spring washer 10mm	129074	€ 0,26	60	Joint disc set w. screws, replaced	129840	€ 47,01
61	Clutch release spring 56->	129080	€ 13,39	61	clutch link spring up to '56	129085	€ 27,14
62	Bracket for spring, LHD from 6501693	129081	€ 13,69	63	Rubber joint, clutch lever (silent bl)	129055	€ 55,79
64	Threaded pin @ clutch shackle	129072	€ 37,46	65	Silent block @ clutch linkage, 55->	129050	€ 10,20
66	Nut, flat style, zined, pedals,kardan.	129073	€ 1,49	67	Rubber buffer	129045	€ 15,29
68	Shackle, for clutch adjustment	129070	€ 196,35	69	A1212900939 Clutch pull rod	129056	€ 352,24
70	A1212900021 Swivel support	129028	N/A	71	Bracket for swivel support, LHD	129029	€ 103,28
71	Support, NOS, see picture	129929	€ 55,00	72	Rubber boot, inner pedal shaft seal, fits 129027	129006	€ 36,38
72	A1212900440 Bearg.pedal shaft inner ->5	129027	N/A	73	Rubber cap, pedal support shaft	129836	€ 13,01
74	Lock spring, LHD pedal shaft	129035	€ 21,92	75	Rubber boot, inner pedal shaft seal	129034	€ 6,38
76	Needle bearing, pedal shaft near tunnel	129032	€ 4,15	77	Ball pedal shaft support, 5500436->	129031	€ 43,67
79	Spacer ring	129033	€ 7,52	80	special shim	129038	€ 0,94
81	A1202930288 Shim 2.0mm	129037	N/A	82	Shim, pedal shaft support	129082	€ 26,00
83	Shim, pedal shaft support	129083	€ 13,80	84	Rep-pin clutch link lever	129059	€ 38,94
85	Buffer, clutch lever	129860	€ 44,63	85	Buffer, clutch lever	129060	€ 52,15
86	A1802930032 Clamp for clutch operation	129065	N/A	87	Retainer	132019	€ 3,37
89	Coil spring, clutch pedal 5500108->	129049	€ 51,98	90	Grease nippleFN	233048	€ 0,26
90	A1079930410 Release spring for brake pe	129030	N/A	91	Thrust rod	142058	€ 41,47

33 Front Suspension

33 Front Suspension



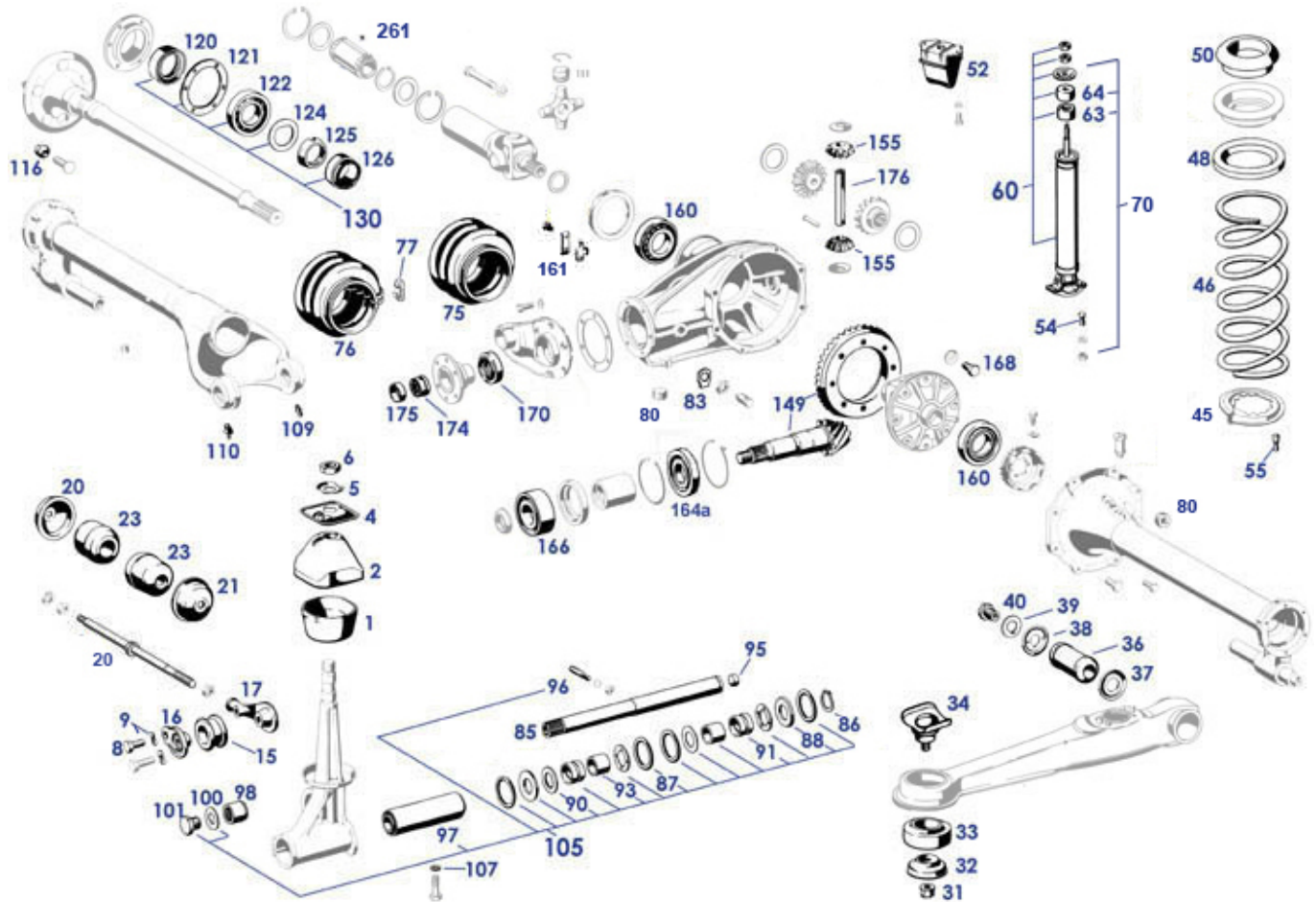
Shown axle body shows version according to VIN..6500173 (from 4-point engine mounting), The axle number is inserted into the steering knuckles. Wheel hub: from axle number 5500161 Right-hand thread clamping nuts (part 99); Change of the wheel bearing dimension (in late version = smaller version) from axis number 021980. Tie rods of the old design (with lubrication nipples, locknut and securing plate (shown here in gray)) have long time ago been replaced in today's design with clamp. Steering rod tubes and heads of the old style are not available

	Hex nut M10 fine, e.g. shock-absorber	232989	€ 0,70		Cotter pin 2,0 x 25, e.g. tie rod nuts	299460	€ 0,12
	Washer at clamping nut, with inner pintle	133972	€ 26,78		incl. cap and copper leaf, no clamping nut	233880	€ 39,88
	A1203300607 Upper control arm	133045	€ 756,15		Wheel bearing, outer, FAG	142730	€ 25,26
	Wheel bearing, inner, 06.61 -> 89, FAG	142680	€ 15,92		Washer at clamping nut, no inner pintle	233972	€ 27,97
	pin 2,5 m6 X 6	233750	€ 0,31		Split pin 3x36	133059	€ 0,18
	Castle nut M10X1, thin shape, early joint	133706	€ 2,45		Locking shim, old style tie rods	499015	N/A
	Rest: Tie rod pipe, 190SL late replaced from 241051, replaceable in 733113	133005 733122	N/A N/A		--> see 733122 -> see 733113	241051	N/A
	Repair kit, control arm outer, lower+upper 1 side	133825	€ 110,67		Self locking nut M12 X 1,5	733113	€ 1,93
2	King pin repair kit	233050	€ 78,90	3	Repr.set,k'pin/bushes,p'too Ponton	433850	€ 119,00
5	A1203320260 Dust cover for sealing king	133034	N/A	6	A1203320506 Knuckle bolt, 021755->, ori	133036	N/A
7	A1203320162 Thrust washer,king pin,lowe	133027	N/A	8	A1203320262 Thrust washer,king pin,uppe	133026	N/A
9	Bush, king pin, upper, FEBI	233052	N/A	11	A1203320051 Dust sleeve for king pin	133035	N/A
12	A1363320952 Distance ring, lower, 1.9mm	133062	N/A	12	Bush, king pin, lower=L45mm	233053	€ 14,28
12	A1363320052 Distance ring, lower,	133064	N/A	12	A1363321052 Distance ring, lower, 2.1mm	133063	N/A
				12	A1363320152 Distance ring, lower,	133065	N/A

12	2.3mm A1363320252 Distance ring, lower, 2.7mm	133066	N/A	12	2.5mm A1363320852 Distance ring, lower, 1.7mm	133061	N/A
14	King pin bearing ot/lw.	133031	€ 43,89	14	A1803330009	133931	N/A
15	Grease nippleFN	233048	€ 0,26	16	King pin security washer	233051	€ 3,21
21	Control arm rep. kit, upper outer, FEBI	133010	€ 47,67	24	Tab washer, eccentric bolt	133016	N/A
25	Eccentric bolt, wishbone	133917	N/A	25	N/A ! A1203330374 Eccentric bolt	133017	N/A
26	toothed washer, adjuster at upper ctrl arm	133023	€ 0,89	27	Seal Ring, upper & lower	133015	€ 8,45
28	Threaded bushing	133018	N/A	29	Grease nipple, M8, 45°, FEBI	133048	€ 0,57
29	Cap for grease nipple, red	333048	€ 0,65	31	A1203300187 Eccentric bush	133019	N/A
33	Small Rep kit upr.inner arm LT or RT	133021	€ 61,33	37	Threaded bush, 30.9mm, with groove	133039	€ 29,99
37	Threaded bush, 29.9mm (no groove)	133038	€ 29,99	38	Sealing rings, Upper or lower	133041	€ 2,05
39	Pivot pin, upper inner	133022	N/A	40	A1203330071 Mtg.bolt upper inner	133044	N/A
44	Control arm rep. kit, lower outer, FEBI	133030	€ 61,17	44	Repair kit, control arm outer, lower+upper 1 side	133025	€ 80,50
45	Bolt, king pin br. ot/lw	133032	€ 8,75	45	A1203330474	133932	N/A
48	Steering stub axle LH, mid.generation, NOS	133011	€ 190,40	48	Steering stub axle LH, mid.generation, NOS	133012	€ 190,40
49	Spring washer M7	142152	€ 0,18	49	Nut M7	135305	€ 0,50
49	Bolt, shock absorber mount	135303	€ 10,23	55	early design, incl grease pin seat holes	133042	N/A
56	Lower inner Mounting Bolt	133043	€ 3,63	57	hex nut M12 X 1,5 zinc plated class 10	233046	€ 1,58
57	M12 DIN 127 lock washer	233042	€ 0,39	60	Front suspension springs	132000	€ 150,59
61	Shim	132011	€ 5,15	62	Shock absorber front, Bilstein Gas	132111	€ 324,99
62	Shock absorber front + rear Oil press	132112	€ 224,90	62	shock absorber Koni Classic front	132103	€ 172,55
63	A1803230485 Rubber ring, bottom	132026	N/A	64	Rubber ring, top	132027	€ 2,82
64	Washer upper shock mount	232835	€ 4,99	67	Rubber bumper, lower	133080	€ 21,04
68	Rubber buffer, upper ctrl-arm L or R	133070	€ 19,12	71	Torsion Bar Mtg. Kit. for 1 car	158000	€ 97,76
72	Rubber mount torsion bar 20mm	132015	€ 18,50	73	Bracket, torsion bar	132025	€ 32,90
74	Retainer	132019	€ 3,37	75	Rubber buffer, torsion bar rod	132017	€ 8,29
76	Spacer tube, torsion bar rod	132018	€ 8,09	77	N000931008160	132009	N/A
80	Rubber mount, sub-frame to body	133060	€ 40,45	81	Frt subframe rubber mount upper, rear	133055	€ 36,72
82	Rubber buffer, lower subframe mount	133050	€ 34,99	83	Sleeve	133054	€ 8,35
84	shim w.locking grooves, as orig	133151	€ 21,42	84	Reinforcing shim, replaced style	133051	€ 2,56
85	Locking shim, fits old style washer	133052	€ 4,96	86	Special bolt, frt axle->frame M12 X 1,5 X 57	133053	€ 36,33
90	Shim at wheel hub rt.	133180	€ 14,40	90	Bearing retainer ring 06.61->, orig.	142600	€ 79,67
90	Bearing retainer ring 06.61 ->	142608	€ 23,75	90	Puller plate, wheel bearing ->021979	142610	€ 36,30
90	Shim at wheel hub lt.	133170	€ 49,05	91	Front axle seal >021979	142620	€ 15,45
91	Vgl.-No: A0039979346, Ab Baujahr Achsen Ponton sp	142625	€ 8,88	92	Wheel bearing, inner, 06.61 -> 89	142580	€ 7,14
92	Inner front wheel bearing ->021979	142585	€ 11,16	93	Front axle outer bearing >021979	142640	€ 14,65
93	Roller bearing, outer up to 06.61 SKF	142940	€ 24,99	93	Wheel bearing, outer	142630	€ 4,58
94	see 133972 and 233972	233072	N/A	97	Grease cap with contact spring	142650	€ 79,99
98	A1204010171 Wheel mounting stud	140005	N/A	99	Clamp nut multiple cars from 1956-1985 A120334	233077	€ 32,53
100	Drag link 190,b,SL 5501502->, LHD	146040	€ 74,28	100	Drag link 190SL ->5501501, LHD	146041	€ 186,43
104	Right Tie Rod end -"Febi"	233092	€ 7,25	104	Spurstangenkopf, Rechtsgewinde	233992	€ 10,98
104	Tie rod end	233991	€ 16,92	104	Left Tie Rod end -"Febi"	233091	€ 7,37
104	Tie rod end, Rt. thread, brand Meyle	233192	€ 8,60	104	Tie rod end, Lt. thread, brand MEYLE	233191	€ 8,60
105	N308675014003	133003	N/A	105	N308675014002	235313	N/A
107	Tie rod end lock plate	199015	€ 9,16	111	A0003300485 Boot w/attaching ring	233093	N/A
112	Castle nut M10X1, long shape, early joint	133006	€ 2,38	112	Split pin 2,5 x 25, fits crown nuts seering linkag	133007	€ 0,24

35 Rear Suspension

35 Rear Suspension



A1803500513 Slip universal joint	135200	N/A	A1803501723 Differential housing	135150	N/A
Hex nut M10 fine, e.g. shock-absorber	232989	€ 0,70	Bolt, universal joint 230SL (L70)	235231	€ 2,25
A1803500145 Joint flange	135020	N/A	Sw. Axle sleeve, open, repair, premium quality	135931	€ 80,92
A1803502610 Axle drive shaft Lt.	135125	N/A	A1803502710 Axle drive shaft Rt.	135126	N/A
A1103520067 Retainer cup	135110	N/A	A00298881078 see 135832 clip	135132	N/A
A1203570058 Gasket holder	143003	N/A	Sleeve, length 26.0mm (std), OD+0.4mm Rep.	235307	€ 51,38
product replaced: Lock / winding clip for 9mm str	109035	€ 2,09	A1803500713 Slip joint tube	135260	N/A
Swing axle sleeve, closed, premium quality	135930	€ 49,43	Set N/A, separate or other set 135196	135195	N/A
A1803500193 Cross strut	135222	€ 77,35	Hex head bolt M10 x 22, LH axle to diff. ref.-No.	235038	€ 0,52
Tool for special nut rr axle shafts	258750	€ 130,90	Rubber mount, rear axle ctr mount, lower	135002	€ 32,24
2 Rubber mount, rr axle ctre, from 750336	135001	€ 103,90	Rubber mount, top >7503266	135003	€ 80,13
4 Tightening plate	135117	€ 211,21	5 Locking plate rear axle mount	135004	€ 5,20
6 Rear axle nut M22x1.5	135006	€ 1,49	8 hex head screw M10 X 20, 10.9 zinc plated	235315	€ 1,40
9 M12-127 lock washer	235316	€ 0,26	15 Rubber buffer,inner, rr axle cross stru	135062	€ 22,31
16 A1113510240 cup, rear half	135224	€ 199,99	17 pair of shackle, cross strut to axle, early, M12,	135725	€ 197,54
17 on request: latch for cross strut NOS/used	135223	€ 188,50	20 Bolt + bushing cross strut early M12/M1	135722	€ 57,52
20 A1803510343 Cross arm cup	135030	N/A	21 A1803510443 Metal cup, cross strut	135040	N/A

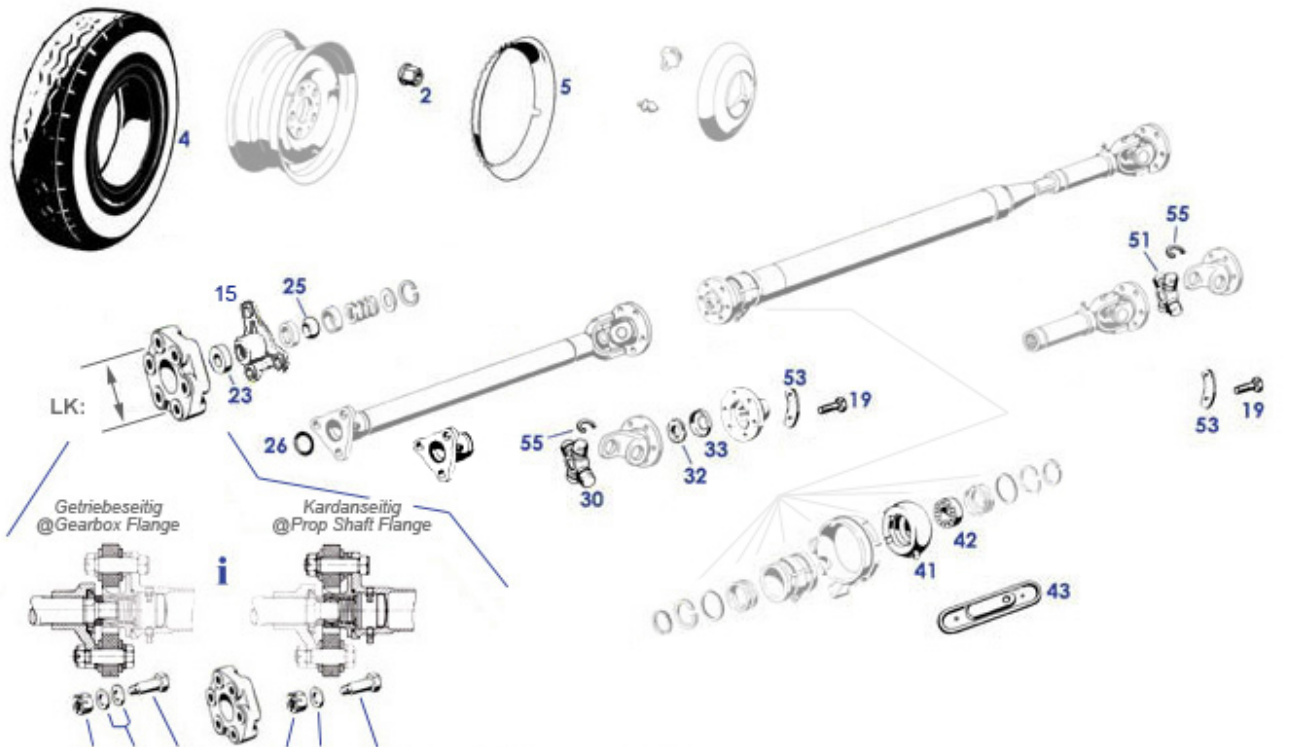
23	Rubber buffer at rr axle cross strut	135033	€ 30,59	31	Crown nut, M14 thread	135120	€ 25,47
31	Crown nut M12 (e.g. early rr struts)	135121	€ 29,50	31	Split pin 3x36	133059	€ 0,18
32	Retainer, late strut mount (M14)	135810	€ 17,55	32	Retainer plate, early type (m12)	135809	€ 52,35
33	Rubber mount, trailing arm donut	135100	€ 35,07	34	Support for rear axle strut	161210	€ 31,89
36	Rubber bushing, trailing arm to axle	135009	€ 16,29	37	Tightening plate	135111	€ 35,00
38	Mounting retainer	135112	€ 100,86	39	Lock shim, strut to rr axle	135007	€ 5,18
40	Bolt, Arm to rear axle	135014	€ 34,83	45	Spring retainer, bottom	132012	€ 91,99
46	Rear suspension spring Lt.	132001	€ 122,45	46	Rear suspension spring Rt	132006	€ 112,76
48	Spacer ring above rr springs	132014	€ 19,77	49	Spring retainer, top	132013	€ 150,00
50	Rubber mounting f.spring retainer top	132030	€ 29,95	50	Rubber mounting f.spring retainer top	132830	€ 39,00
52	Rubber bumper, replcmnt, (higher)	132016	€ 99,95	52	bolt, M7 e.g. buffer 132016	132036	€ 0,38
52	Rubber bumper, rr axle, as original	132916	€ 73,01	52	Spring washer M7	142152	€ 0,18
54	Bolt, shock absorber mount	135303	€ 10,23	54	Nut M7	135305	€ 0,50
55	Rest: special stud bolt, damper	135304	€ 24,99	60	Shock absorber rear, Bilstein Gas	132022	€ 314,99
60	Shock absorber front + rear Oil press	132112	€ 224,90	60	shock absorber Koni Classic rear	132113	€ 172,55
63	A1803230485 Rubber ring, bottom	132026	N/A	64	Rubber ring, top	132027	€ 2,82
64	A1803230083	232035	€ 4,75	64	Washer upper shock mount	232835	€ 4,99
71	A1203532852 Shim, 1.2mm	135022	N/A	71	A1203534452 Shim 2.0mm	135024	€ 10,00
75	Swing axle sleeve, closed	135130	€ 29,99	76	1m metal strip, 9mm clamp	109030	€ 4,00
76	Sw. Axle sleeve, open, rep., design differs to ori	135131	€ 41,45	77	Clamp for repair bellows	135832	€ 1,19
77	Lock / winding clip for 9mm strap	109835	€ 2,84	77	Clamp, air hose	209004	€ 3,15
77	1m metal strip, 9mm clamp	109830	€ 3,09	80	Plug screw M24 conical, no collar	114025	€ 8,98
81	A1153500290 Breather	235049	N/A	83	Locking shim, e.g. at rr axle	135178	€ 4,84
85	A1803510674 Central axle joint bolt	135013	N/A	85	Bolt, rr axle ctre joint	135713	€ 130,66
86	Locking ring	235322	€ 3,09	87	Rubber ring, swing link	235304	€ 3,50
88	Shim at ctr bolt rr axle joint	235705	€ 10,00	88	Shim at ctr bolt rr axle joint	235305	€ 15,71
90	A1803513152	235632	N/A	90	A1803512752	235626	N/A
90	A1803512852	235627	N/A	90	A1803513052	235629	N/A
90	A1803512052	235630	N/A	90	Shim, 2.0mm thick, standard size	235306	€ 17,85
90	A1803511752	235623	N/A	90	A1803511652 see 235716	235622	N/A
90	A1803511552	235621	N/A	90	see 235718	235624	€ 27,89
90	Shim, 2.2mm thick, repair size	235716	€ 23,42	90	Shim, 2.4mm thick, repair size	235718	€ 17,50
90	A1803511952	235625	N/A	91	Rear axle tube bushing	235050	€ 29,63
93	A1803511453	235650	N/A	93	A1803511653	235654	N/A
93	Sleeve, length 25.6mm	235656	€ 46,79	93	A1803511853	235658	N/A
93	Sleeve, length 26.0mm (std)	235807	€ 47,30	95	Cap,to235308	235309	€ 1,32
96	Cotter Pin for Rear Diff Mounting Strut	235810	€ 17,48	97	Sleeve, axle to center support	135012	€ 91,52
98	Spacer sleeve, R/A 5501578>	135011	€ 29,75	100	Lock washer	235301	€ 2,59
101	Hex Bolt on Differential Mounting Strut	235324	€ 18,55	105	Rep.-kit ctrl joint, no main shaft	135196	€ 387,44
106	N304017010047	235302	N/A	107	Spring washer, u/j bolt	235303	€ 0,42
109	Grease nipple, M6	235048	€ 0,95	110	Grease nipple, 45°, M6	235047	€ 0,50
110	Cap for grease nipple, red	333048	€ 0,65	116	Wheel lug nut, 190SL, Ponton	199022	€ 0,79
117	A1204010171 Wheel mounting stud	140005	N/A	120	Sealing	143804	€ 11,86
121	Gasket, axle tube to brake base 190...	143002	€ 9,81	122	Rear axle roller bearing, RT, (drum shape rollers)	135858	€ 67,38
122	Rear axle roller bearing, RT, (drum shape rollers)	135058	€ 71,40	122	Rear axle ball-bearing	235005	€ 22,88
124	Rear axle lock plate	235006	€ 9,82	125	Axle shaft grooved nut	135057	€ 11,29
126	Rear axle seal (inner)	143001	€ 5,82	130	Rep.kit rr. wheel bearg. Lt.	135075	€ 68,63
130	Rep.kit rr. wheel bearg. Rt.	135076	€ 111,34	136	Universal joint	135028	N/A
138	A1803534152 Distance washer 1,6mm	135186	N/A	138	A1803533552 Distance washer 1,3mm	135183	N/A
149	Comes without installation instruction. The choice	135090	N/A	149	Comes without installation instruction. The choice	135085	€ 970,20
155	Bevel gear 10 teeth	135155	€ 479,99	156	A1803530815 Drive shaft pinion 16 teeth	135156	N/A
157	A1803500340 Axle shaft pinion, 16 teeth	135157	N/A	160	Rear axle inner bearing	135070	€ 30,12
161	Locking, simplified, Repro, nose outer position	135608	€ 19,00	161	Locking, simplified, Repro, nose outer position	135607	€ 6,68
161	Locking, simplified, Repro, nose ctre position	135606	€ 19,00	161	locking plate bearing adjuster in diff	135079	€ 3,69
164	Cyl.roller bearing 80x40x23	135050	€ 93,19	165	A1209940235 Snap ring	135179	N/A
166	Roller bearing at pinion	135055	€ 209,50	167	A1803530063 Shoulder ring	135056	N/A
168	Bolt, ring gear at differential	135047	€ 9,94	169	A1209940010 Lock plate	135171	N/A
170	Seal ring, input shaft	135818	€ 21,00	174	Grooved nut with locking ring	135017	€ 42,90

175	Lock ring, rear axle	135821	€ 5,00	175	Locking sleeve, groove nut	135021	€ 5,58
176	rear axles up to ca. '65	135159	€ 148,99	177	A1803530024 Spherical washer	135162	N/A
178	A1153530862 Guard plate 1.6mm thick	135168	N/A	178	A1153530962 Guard plate 1.5mm thick	135167	N/A
178	A1153531162 Guard plate 1.3mm thick	135165	N/A	178	A1153531062 Guard plate 1.4mm thick	135166	N/A
179	A1363530274 Bolt, diff.	135161	N/A	261	Barrel roll 4x4, rear axle slip joint	135261	€ 2,50

40, 41, 81 Wheels, Prop.-Shaft, Wheel trim

40, 41, 81 Wheels, Prop.-Shaft, Wheel trim

40, 41, 81 Wheels, Prop.-Shaft, Wheel trim



LK 80 / M10	3x	6x	3x	1x	3x	3x	3x	set	LK 80mm → ...6500172	ca. Jan.1956, zeitgleich mit Wegfall Getriebegummilager
LK 90 / M12	3x	6x	3x	1x*	3x	3x	3x	set	LK 90mm ...6500173 →	in time with abolition of rr.gearbox-rubbermount

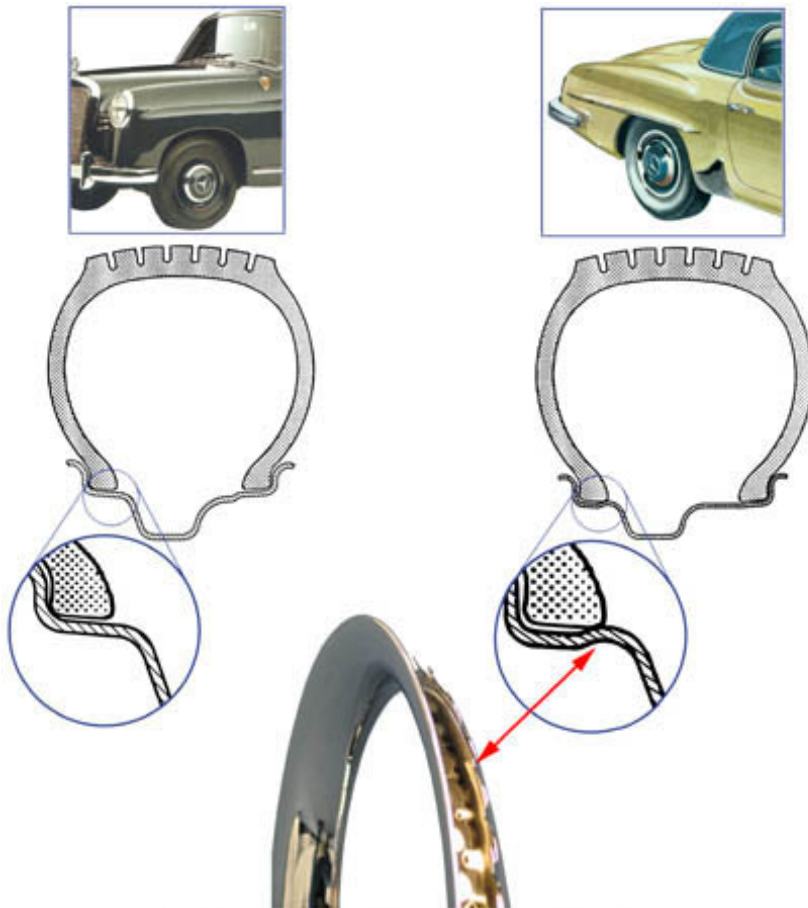
* Bauform von Gelenkscheiben aktualisiert:
rund anstelle sechseckig. Einbaulage bei LK 90mm nicht mehr richtungsgebunden
Flex disc design updated: round instead hexagonal, fitment position (late disc) irrelevant

	mudguard for rubber bushings early	141004	N/A		Joint flange	141023	N/A
	A1804101528 Rear universal	142019	N/A		Hardy Rep-set 90mm, look for	241000	€ 201,11
	7500983->				24180		
	A1204110060 can be replaced with	241007	N/A		A1804000426 Bracket for hub cap	440011	N/A
	441007						
	Self locking nut M12 X 1,5	733113	€ 1,93		hex nut M12 fine, locking, flat	741048	€ 0,57
					shape		
	Joint disc, 90mm bolt circle	241801	€ 55,93		A1214102602 Prop. shaft rear	141026	N/A
1	Felge 5J x 13 4-Schlitz, starre Pins	340003	N/A	1	Steel rim 5 x 13, reproduction	140803	€ 243,95
1	n.l.a. Steel rim 5x13 used, checked,	140003	€ 361,17	2	Wheel lug nut, 190SL, Ponton	199022	€ 0,79
	W11						
3	A1104010174 Hub cap bolt	140010	N/A	4	"6.40x7.00 R13" aftm."	140001	€ 190,40
4	Tyre 6.40 x 7 x 13 87S, Vredestein	140004	€ 177,31	4	"185/80/13" 1,5cm white wall"	140002	€ 145,00
	Sprint (no whit						
4	6.40x7.00 white wall 'ContiClassic'	140000	N/A	5	"Wheel trim ring chromed, 13"	181030	€ 104,90
5	Wheel trim ring, 13", s.steel, Repro	181130	€ 46,99	10	steel	141828	€ 172,55
10	Overhaul quote after receipt used	141100	N/A	15	Scope of delivery according to	141030	€ 102,99
	part				picture, without in		
16	Joint disc, 80mm bolt circle, eg	141001	€ 67,95	16	Joint disc, 90mm bolt circle	241001	€ 71,25
	190earl						
19	Bolt, prop.shaft flange (2x6 req)	141816	€ 2,83	19	Bolt, prop.shaft flange (2x6 req)	141016	€ 13,73
20	Bolt, trans to flex disc.>6500172	141011	N/A	20	"Bolt, joint@prop-shaft ->'56; HC	141009	€ 20,65
					80mm"		
20	Bolt, Gear->Hardy90, 190'56->,	141013	€ 17,73	20	Stud bolt, flex disc to prop shaft	141012	€ 15,35
	230SL						
21	Washer 10,5 fits 80mm prop disc	141007	€ 4,86	21	Washer, prop disc late (d90)	141008	€ 5,55
22	lock nut full metal M12 X 1,5 flat	241113	€ 0,77	22	A1839900055 Nut	141006	N/A
	type						
22	Split pin 2,5 x 25, fits crown nuts	133007	€ 0,24	22	"Nut for propshaft bolts 10mm	141019	€ 1,49

23	seering linkag rubber as per A1204110060 64, please adjust thickn	241807	€ 10,00	23	->'56;HC8 N/A ! A1844110080 Rubber ring	441007	N/A
24	A1364110118 Bearing pan	241018	N/A	25	A1844110017 Centreing ball	241017	N/A
26	O' ring, star-flange to prop shaft	241013	€ 1,32	27	A1109933701 Spring, centreing ball	241019	N/A
28	retaining ring for bores 30 X 1,2	241021	€ 0,46	30	Prop shaft cross, bearg. "26" -->7500982	141021	€ 142,80
30	Prop shaft cross, bearg. "26" -->7500982	141821	€ 235,62	32	Grooved nut	141061	€ 7,85
33	A1829940043 Lock plate	141062	€ 8,45	40	A1804100339 Bearing bracket	141010	N/A
41	Bush,rubber,p.scentre bearing	141018	€ 18,65	42	Ball bearing, ctr support prop shaft	141015	€ 10,10
43	Cover plate, prop shaft mount 5500750->	141005	€ 54,99	43	Washer at prop shaft covering	141029	€ 7,78
46	A1809970340 Ring,sealing	141017	N/A	48	A1104130080 Seal ring,flange	141063	N/A
51	Cross bearing assy"28", 57->67, grease channel	141822	€ 155,35	51	Cross bearing assy"28", 57->67, no grease channel	141022	€ 309,00
53	Lock plate, prop shaft	141014	€ 3,45	55	A1889940234 Circlip, u/j. 1.6mm	241035	N/A
55	A1889940334 Circlip, u/j. 1.65mm	241036	N/A	55	A1889940534 Circlip, u/j. 1.45mm	241034	N/A

40, 81.b Info Wheel decoration

40, 81.b Info Wheel decoration



**Vor Bestellung / Montage von Zierringen
bitte Felgenbauart prüfen.**

**Please check design of wheel rims before
ordering / mounting trim rings.**



**Chromradkappen werden
unlackiert geliefert**

*Chrome hub caps will be
supplied unpainted.*



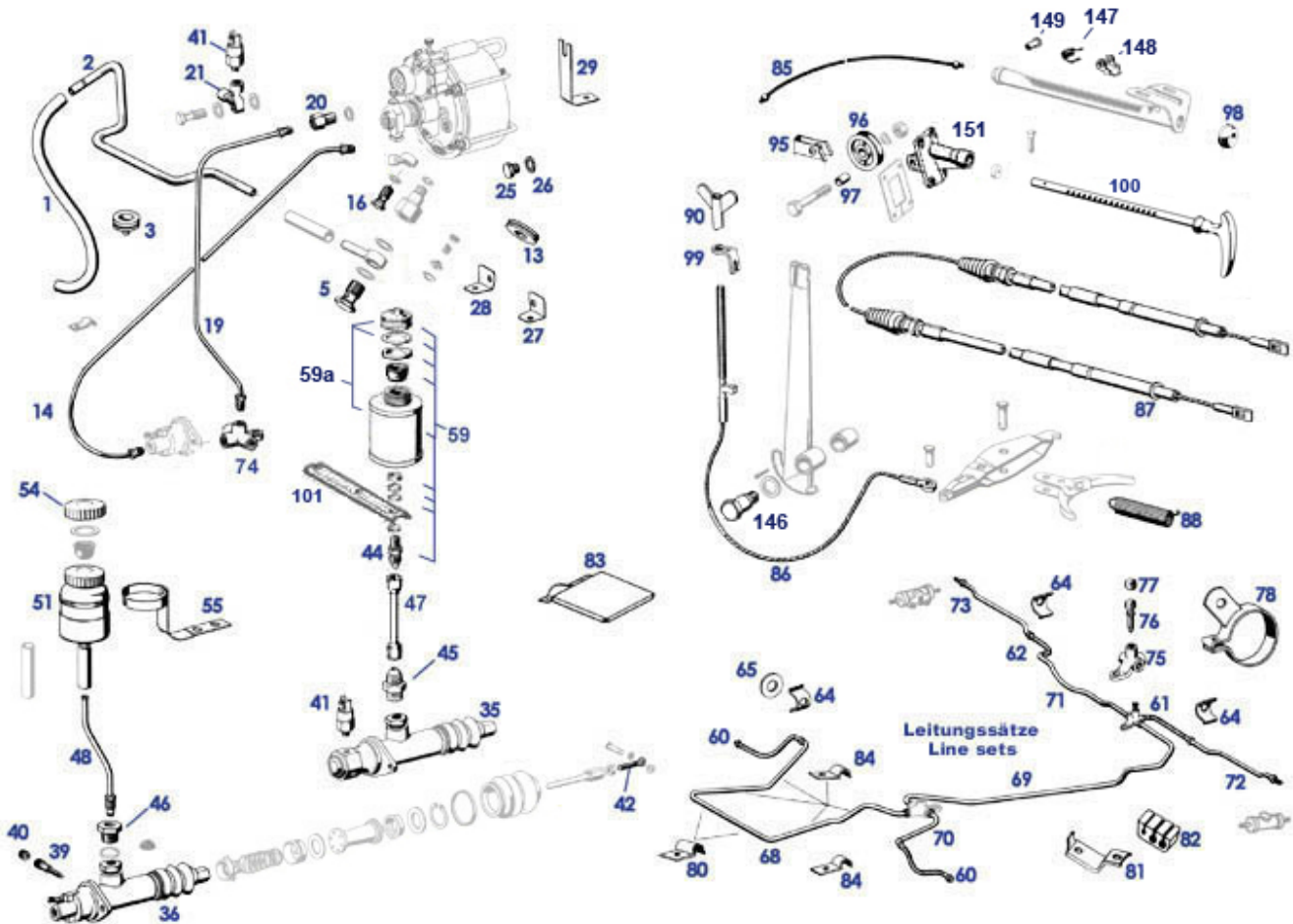
**Lackierhilfe für Centerkappe der
13" und 14"-Felgen. Anleitung beachten.**

**Painting template fits center cap
of 13" and 14" rims. Consider instruction.**

42 Brakes

42.c Brake (Linings, Mastercylinder, Handbrake)

42.c Brake (Linings, Mastercylinder, Handbrake)

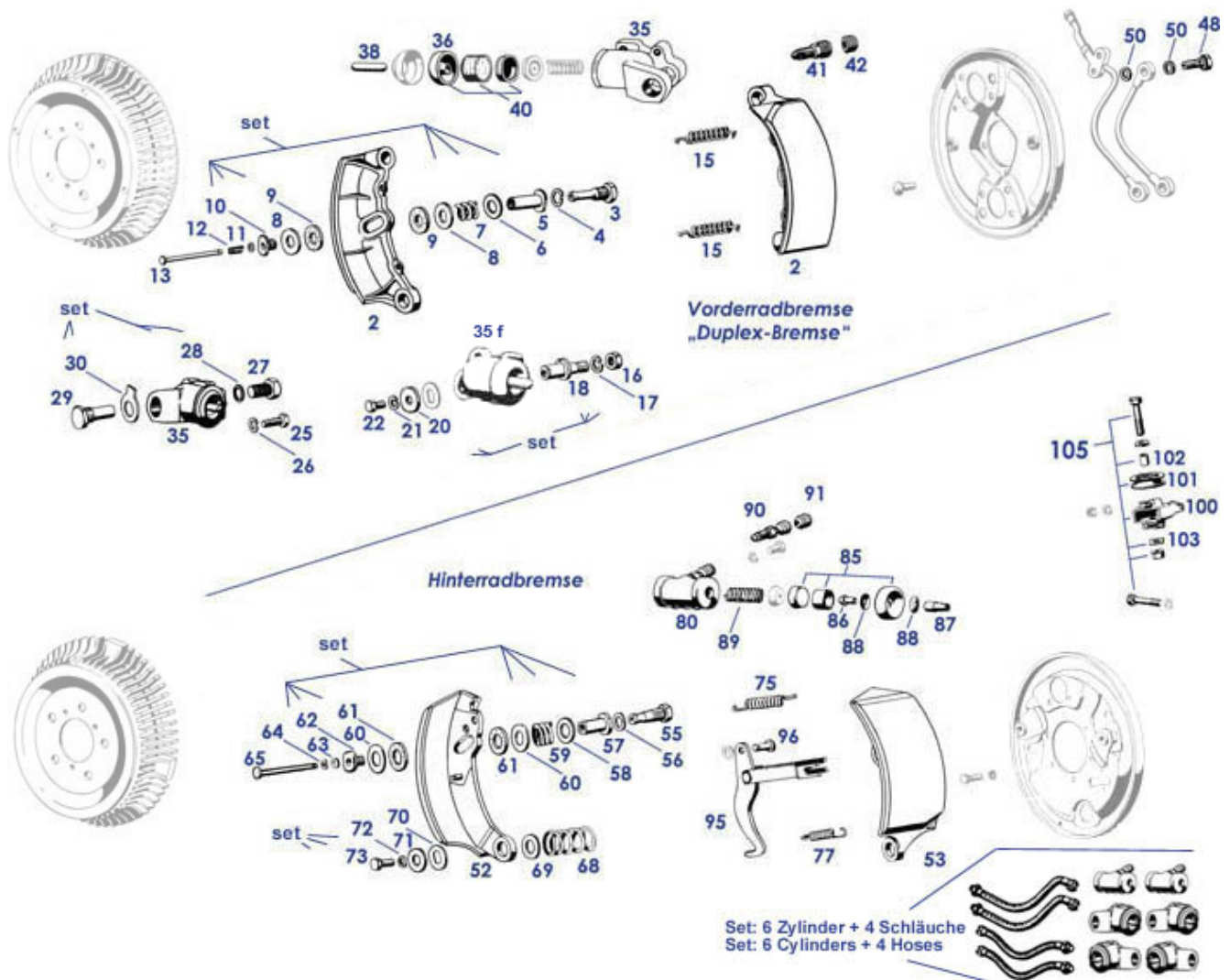


	pair of brackets @ T50	142115	€ 79,99		Spray prot.plate, metal reservoir	142074	€ 5,46
	Brake fluid reservoir 190SL->'58, black	142005	N/A		screw plug for master cylinder M12x1	943019	€ 2,49
	Brake wire rear, Repro with grease nipples	143760	N/A		Strainer, metal reservoir	142073	€ 7,28
	A0004312687 Rubber bellow at mastercyl	143126	N/A		N/A ! Brake line 370mm	142014	N/A
	Metal fluid tank ->'58, w.insert	142078	N/A		Brakeline 450mm:R-RH(drumbrke),+frtLH'6	142020	€ 27,49
	Gasket, metal reservoir	142075	€ 4,25	1	A0004352182 Vacuum hose, wire-reinforce	243082	N/A
1	1m rubber hose ID 10mm, 5mm wall	943028	€ 32,78	2	Metal pipe, booster-vac, 190SL-T50, LHD	142132	€ 154,89
2	Clamp, e.g. vac pipe	142138	€ 4,94	3	Rubber grommet 11/30, bulkh(190),107,..	299017	€ 1,59
5	A0004280126 Hollow bolt @ booster botto	142096	N/A	5	Fiber seal ring M22	142098	€ 0,60
6	A0004351482 Vacuum hose at T50	143082	N/A	8	retaining ring for bores 17 X 1	142095	€ 0,20
13	Rubber grommet	299005	€ 2,59	14	Brake line, T-50->master-cyl. LHD	142021	€ 15,30
15	A0004280730 Banjo fitting	142093	N/A	16	Hollow screw, pipe conn.	142049	€ 11,96
19	Brake line, T-50->dist. blk. 8501755->	142023	€ 24,94	19	Brake line, T-50->dist. blk.->8501754	142022	€ 15,71
20	A0004230184 Reducer fitting @ T-50	142092	N/A	21	Junction Y at booster	142048	€ 38,08
22	Hollow bolt	142094	€ 4,72	25	Screw plug @ booster face	142099	€ 5,80
26	Copper seal ring	207115	€ 0,18	27	Front Lt. short mounting bracket	142109	€ 24,99
28	Front Rt. short mounting bracket	142108	€ 28,91	28	Front Rt. long mounting bracket	142106	€ 63,49

28	Front Lt. long mounting bracket	142107	€ 64,90	29	Rear mounting bracket	142105	€ 24,01
35	"Master Cylinder, 190SL w/o T50	143011	€ 369,69	36	maybe add 943019	143010	€ 231,60
37	Rebuild kit (with T-50)	143026	N/A	37	A0015861643 Rebuild kit (no T-50)	143025	N/A
39	Bleeder screw, '58->, M6	143012	€ 6,59	40	Bleeder valve cap, brake, steering	143041	€ 2,62
41	screw plug for master cylinder	943017	€ 2,89	41	Brake light switch, replaced style	142045	€ 20,37
	M12x1						
41	M10 x 1 ATE plug bolt	943018	€ 14,99	41	Brake light switch, replaced style	142845	€ 15,34
41	Rubber Boot on to Thermo-switch	254125	€ 9,39	42	Thrust rod	142058	€ 41,47
44	Threaded fittings	142031	€ 30,64	45	Reducer fitting, Mastercyl early, (where metal res	142009	€ 47,47
				47	Brake fluid pipe, to LHD metal reservoir	142040	€ 168,11
46	A0004281230 Reducer fitting	142006	€ 65,31		A4069977782 Brake line shielding hose	142002	N/A
48	Brake line, master-cyl.->tank	142025	€ 34,99	49	A0004314334 Strainer for reservoir	143024	N/A
	8501755>			52	A0004315433 Reservoir cap	143023	€ 15,55
51	Brake fluid reservoir '58->, ATE	142001	€ 35,33	54	Brake fluid reservoir 190SL->'58, brass chromed	142805	€ 129,00
53	Seal ring in cap	143022	N/A	59	Brake hose front, Lt. or Rt.	143035	€ 50,10
55	Holding bracket, FN style	142056	€ 129,29	60	Brake hose, rr.rh. 220mm, W121,113,111,108...COH	143052	€ 49,99
				62	Washer	143039	€ 3,25
59	Reservoir, metal version, LHD	142178	€ 109,00	65	Brake line, ca. 2390mm, 190SL w.T-50, front Rt.	142013	€ 22,00
61	Brake hose rear left up to model year 1966	143051	€ 32,00	68	Brake line 2195mm, 190SL LHD w.T50, ctre	142017	€ 19,68
64	Retaining clamp, brake hose	143036	€ 0,99	69	Brake line 500mm: rr ctre 190SL+ pontoo	142010	€ 6,60
68	Brake line, LHD ctre to RH, no-T50-car	142027	€ 25,99	71	A1804200130 Brake line, 190SL rear Rt.	142011	N/A
69	A1214200032 Brake line, front->rear ->6	142026	N/A	73	adaptor M10X1/M12X1	142826	€ 10,47
70	Brake line 390mm	142814	€ 10,95	74	Pipe terminal front, thread: 4X M10X1	142825	€ 25,39
72	Brake pipe 430mm: rr LH 190SL+pontoon	142030	€ 5,68	74	Distributor, brake lines, 3 conn., no bleeder	142008	€ 16,59
73	Brake line 480mm, e.g. 190SL rr rh	142812	€ 12,25	75	A0004283624 A0004283624 Brakeline distr	242004	N/A
74	see 142129 or 142829	142029	N/A	78	Tube clamp	142055	€ 111,00
74	Pipe terminal frt, Original	142129	€ 392,59	81	Fuel and brake line clamp, for 30mm rubbers	147014	€ 2,50
75	Verteiler Bremsltg. m.Entl. hi. 57->	242104	€ 311,26	82	Rubber guide	147038	€ 3,76
76	A3075530107 Bleeder screw at booster	242007	€ 8,70	83	Screw 3,9	299279	€ 0,27
80	Pipe clamp,brake line @ frt	143037	€ 5,99	85	Brake cable for pull rod, LHD	143033	€ 39,98
82	A1204760184 Rubberprotection f. clamp	147039	N/A	87	A1804201085 Emergency brake cable, rear	143060	N/A
83	Heat shield, brake line to RH-wheel	168142	€ 132,99	88	Emergency brake spring	142555	€ 34,32
84	Clamp 5mm e.g. brake lines	143038	€ 0,50	90	wing nut, parking brake adjustment	143068	€ 117,18
86	Emergency brake cable, middle	143944	€ 138,40	91	Emergency brake cable yoke	142550	N/A
87	Brake wire rear, Repro	143160	€ 115,68	93	A1209910061 Joint pin, brake rope	143042	N/A
89	A1204200591 Sliding lever	142500	N/A	95	Guide, brake wire	143072	€ 43,27
90	A1084270072 Wing Nut	143043	N/A	97	Pulley bushing	142834	€ 11,76
92	A1262920074 Pin, equalizer bracket	242098	N/A	98	Buffering,handbrakerod	142041	N/A
94	A1214270059 Rubber ring, brake tube	143073	N/A	100	Rod, hand brake	143846	N/A
96	Handbrake cable roller	242149	€ 95,37	101	Support strut, 175mm, metal reservoir	142038	€ 43,26
98	Buffering, parking brake rod	142821	€ 24,99	147	A1209930020 Spring at hand brake catch	143065	€ 2,38
99	Bracket at brake lever	143054	€ 26,87	149	A0009910081 Rivet pin at hand brake cat	143066	€ 11,90
101	Please ask for this at Mssrs. HK-Engineering	143700	N/A				
146	Bolt, lever support bearing	143069	€ 23,80				
148	A1204270115 Catch at hand brake lever	143064	€ 39,87				

42.a Brake (Wheels)

42.a Brake (Wheels)



Almost from the start of production (from the rear axle 5500230), 190SL were completely equipped with cooled drums. Drums without radial ribs can be an indication of a ponton axle, the rear axle may be fitted with narrower jaws in this case. Brake shoes were replaced by the type "W180" in the "W110" type, which should be done by the axle and the retention springs must fit. For change details on the front cylinders please visit our page 42. B.

	Return spring Rt. ->024160 repro	142720	€ 29,99		see 799942	142921	N/A
	A1209940001 Locking plate	142154	N/A		Pulley bushing	142834	€ 11,76
	A1839903540 Washer for 142147	142148	€ 4,76		N304014008021	142147	N/A
	Return spring Lt. ->024160 repro	142710	€ 30,15		Brake shoe pivot pin >021834	142918	N/A
	Fitment kit, brake shoes, per side	142051	N/A		Spring washer, fits M6	181028	€ 0,18
	Friction washer	142815	€ 6,19	1	A1804210801 Brake drum rear	135000	N/A
1	A1134200005 Brake drum	142100	N/A	2	strictly recommended: installation per set (4 pcs)	142000	€ 115,43
3	Pin, Brake adjuster- from 5500131	142071	€ 44,45	5	Adjusting sleeve, from 5500131	142914	€ 24,99
6	Brake adjuster shim 0,45mm	199003	€ 7,56	7	Brake adjuster spring	142032	€ 5,03
8	Thrust washer, shoe adjustment spring	199001	€ 6,99	9	Friction washer	142915	€ 9,87
10	T- nut brake shoe	142903	€ 8,69	11	Washer5.3mm	142905	€ 0,24
12	spring at shoe guide pin	142917	€ 3,49	13	Split pin 3x22	142089	€ 0,12
13	Guidebolt,frtbrake	142035	€ 9,34	15	A1209930810 Return spring until Frt. ax	142880	€ 18,64
15	A1809932510 Return spring late	142800	N/A	16	hex nut,early brake bolt	142919	€ 1,38
17	M12 DIN 127 lock washer	233042	€ 0,39	18	pivot pin brake shoes to cylinders early style	142036	€ 115,00
19	A1204210256 Shim at early cylinders	142923	N/A	20	Washer, rr brake	142911	€ 15,46
22	Bolt, M8 x 12 zincd	799942	€ 1,07	25	M8x15-933 hex head bolt	142912	€ 0,56
27	Srew, w/cyl. to anchor plate	142034	€ 5,46	29	Bolt, fits late or renewed brake cyl	142033	€ 14,65
30	Lock Plate	142044	€ 2,98	35	Ponton und 190SL vor Modernisierung, Achtung: die	443041	€ 149,99

35	Wheel cyl. frt Lt. 021835>	143830	€ 53,10	35	Wheel cyl. frt RH. 021835>	143840	€ 53,10
35	Ponton und 190SL vor Modernisierung, Achtung: die	443031	€ 149,99	35	Wheel cyl. ATE front left, 021835>	143030	€ 117,99
35	Wheel cyl. ATE frt Rt. 021835>	143040	€ 116,38	36	Dust cap, wheel cyl.	143031	€ 8,68
37	A0004211687 Sheet metal protective caps	143034	N/A	38	N/A Thrust pin wheel cyl.	143832	€ 16,26
38	Thrust pin wheel cyl. orig / rest	143032	€ 23,80	40	Repr. kit, fr. wheel cyl. ATE	143045	€ 85,68
40	A0005869142 Rep kit frt wheel cyl.	143945	N/A	41	Bleeder valve (M10 fine), 190brake, Steerg(Pws)	142003	€ 4,05
42	Bleeder valve cap, brake, steering	143041	€ 2,62	46	A1804200729 Brake line, at Whl/cyl. Lt.	142015	N/A
46	A1804200829 Brake line, at Whl/cyl. Rt.	142016	N/A	47	Brake line, between wheel cylinder	142012	€ 156,89
48	Hollow bolt brake cylinder	142018	€ 10,00	50	Seal ring 10x13,5, copper, e.g. wheel cyl, ..	142039	€ 0,18
51	A1204210601 Brake drum, steel, narrow	442100	N/A	52	A1104202720 Brake shoe, front piece	142070	N/A
52	early until 3/1962	142085	€ 305,00	52	late from 3/1962	142086	€ 305,00
52	Set of brake shoes 65mm 4pce	142885	€ 243,95	53	A1104202620 Brake shoe, rear piece	142080	N/A
57	Brake adj. sleeve 5500168>	142901	€ 26,18	64	Washer,waved shape,M5, zincd	142904	€ 0,25
65	Split pin 2,5 x 16	142091	€ 0,18	65	Guide pin rear brake w/spg	142090	€ 9,34
68	spring at rear brake shoe support	142908	€ 13,20	69	Washer rr brake, betw.spring and shoes	142909	€ 3,15
70	shim, brake, rectangular hole, 1.0mm	142410	€ 6,55	72	Waved spring washer M8	799911	€ 0,18
75	Spring, fitting190SL from 024160 L/R, +230SL	142810	€ 12,25	75	Return spring Rt. ->024160 repro	142520	€ 23,43
75	Return spring Lt. ->024160 repro	142510	€ 23,43	77	Return spring, brake lever, fits L/R	142820	€ 4,61
80	Brake cylinder rear '57-> + replacements	143050	€ 79,33	85	A0005861742 cyl.kit 25,40mm >7500147	143047	N/A
85	cyl.kit 23,81mm cyl.piston 7500148>	143049	€ 41,55	86	Push rod, 1 pce, rr wheel cyl.	242072	€ 11,39
86	A1804210288 Push bolt to cyl.piston, 85	143058	N/A	87	A1804210388 Push bolt to brake shoe, 85	143057	N/A
88	A0009931126 Retainer spring	143059	N/A	89	A0004211190 Spring rr wheel cyl. 57-->	143067	N/A
89	A0004210990 Pressure spring	143056	N/A	95	Handbrake lever, Rt.	142043	€ 258,65
96	A1834230674 Clevis pin	142047	N/A	100	Brake rope housg. LH repro	142707	€ 195,10
100	Bolt M6 at rope roll	142156	€ 0,75	100	Brake rope housg. RH, Repro	142708	€ 195,10
101	wheel, brake wire guide	142150	€ 98,60	105	Pulley assembly, right, repro	158820	€ 399,99
105	Pulley assembly, left, repro	158810	€ 399,99	109	Spring washer M7	142152	€ 0,18

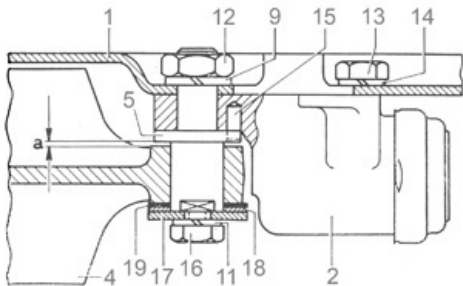
42.b Info Wheel Cylinder front

42.b Info Wheel Cylinder front

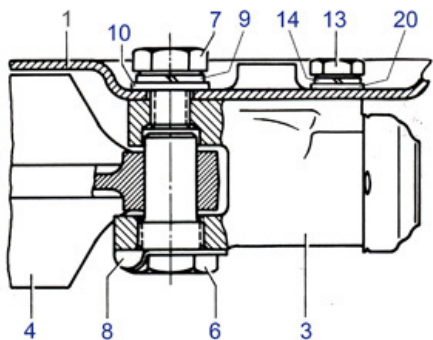
190SL Vorderradbremse



erste Generation Bremsbacken-Lagerung,
nur noch vereinzelt Teile verfügbar,
Umbau in aktualisierte Lagerung empfohlen,
Ankerplatten können wieder verwendet werden



- 1 Ankerplatte
- 2 Zylinder erste Generation
- 3 Zylinder aktualisierte Bauweise
- 4 Bremsbacke
- 5 Lagerungsbolzen erste Generation
- 6 Lagerungsbolzen aktualisierte Version **
- 7 Befestigungsschraube aktualisiert **
- 8 Sicherungsblech **
- 9 Federscheibe **
- 10 Unterlegscheibe ** *
- 11 Federscheibe
- 12 Mutter
- 13 Befestigungsschraube
- 14 Federscheibe
- 15 Stift
- 16 Schraube
- 17 Scheibe
- 18 Scheibe
- 19 Ausgleichsscheiben Dicken nach Bedarf
- 20 Scheibe *



aktualisierte Bremsbacken-Lagerung

* Scheiben 10 und 20 sind ergänzende Empfehlung, alternativ zu einer Kürzung der Schrauben 7 und 13.

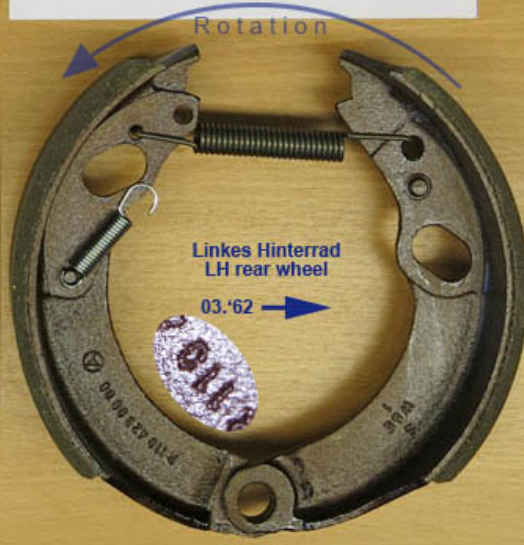
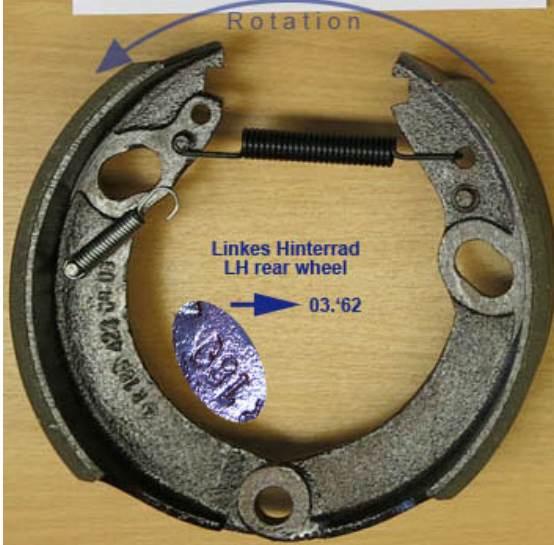
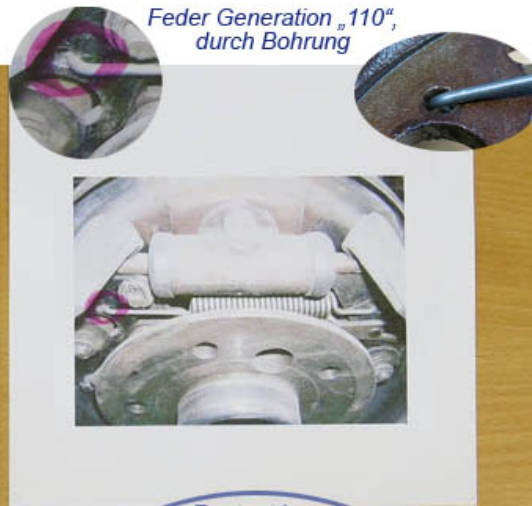
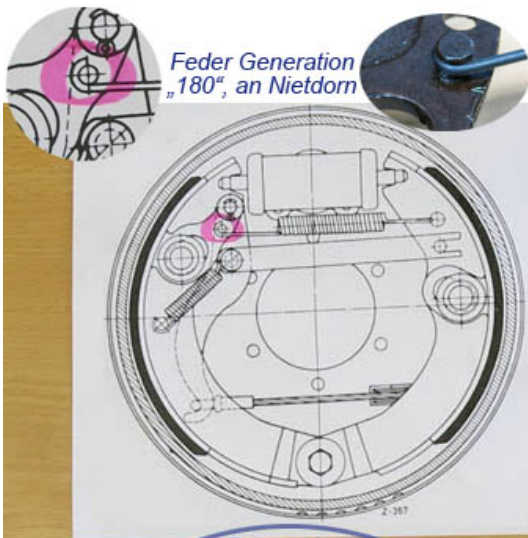
** Diese Teile sind Inhalt im Ergänzungs-Set 143020 zur Umrüstung einer Vorderachse

To date, a significant proportion of the old cylinders have been updated on the vehicles as the old cylinders have worn & been replaced by the later type, so that the modification date is only rarely meaningful: officially from the front axle number 021835 (approx. February 1961), the cylinder version shown below was used. When mounting, make sure that there is a residual distance between the bolts 7 + 6: over tension destroys the cylinder.

	Spring washer	222005	€ 0,44		Spring washer, fits M6	181028	€ 0,18
	hex nut,early brake bolt	142919	€ 1,38	2	Ponton und 190SL vor Modernisierung, Achtung: die	443041	€ 149,99
2	Ponton und 190SL vor Modernisierung, Achtung: die	443031	€ 149,99	3	Wheel cyl. ATE front left, 021835>	143030	€ 117,99
3	Wheel cyl. frt RH. 021835>	143840	€ 53,10	3	Wheel cyl. frt Lt. 021835>	143830	€ 53,10
3	Wheel cyl. ATE frt Rt. 021835>	143040	€ 116,38	4	strictly recommended: installation per set (4 pcs)	142000	€ 115,43
5	Brake shoe pivot pin >021834	142918	N/A	6	Bolt, fits late or renewed brake cyl	142033	€ 14,65
7	Srew, w/cyl. to anchor plate	142034	€ 5,46	8	Lock Plate	142044	€ 2,98
9	M12 DIN 127 lock washer	233042	€ 0,39	10	Washer 13x20x2 zincked	199142	€ 0,32
13	M8x15-933 hex head bolt	142912	€ 0,56	14	Locking ring M8	299327	€ 0,18
16	see 799942	142921	N/A	16	Bolt, M8 x 12 zincked	799942	€ 1,07
17	Washer, rr brake	142911	€ 15,46	19	A1204210256 Shim at early cylinders	142923	N/A
20	Washer 8,4mm, standard, yellow zincked	299326	€ 0,39	142036	pivot pin brake shoes to cylinders early style	142036	€ 115,00

42.d Info Brake Shoes rear

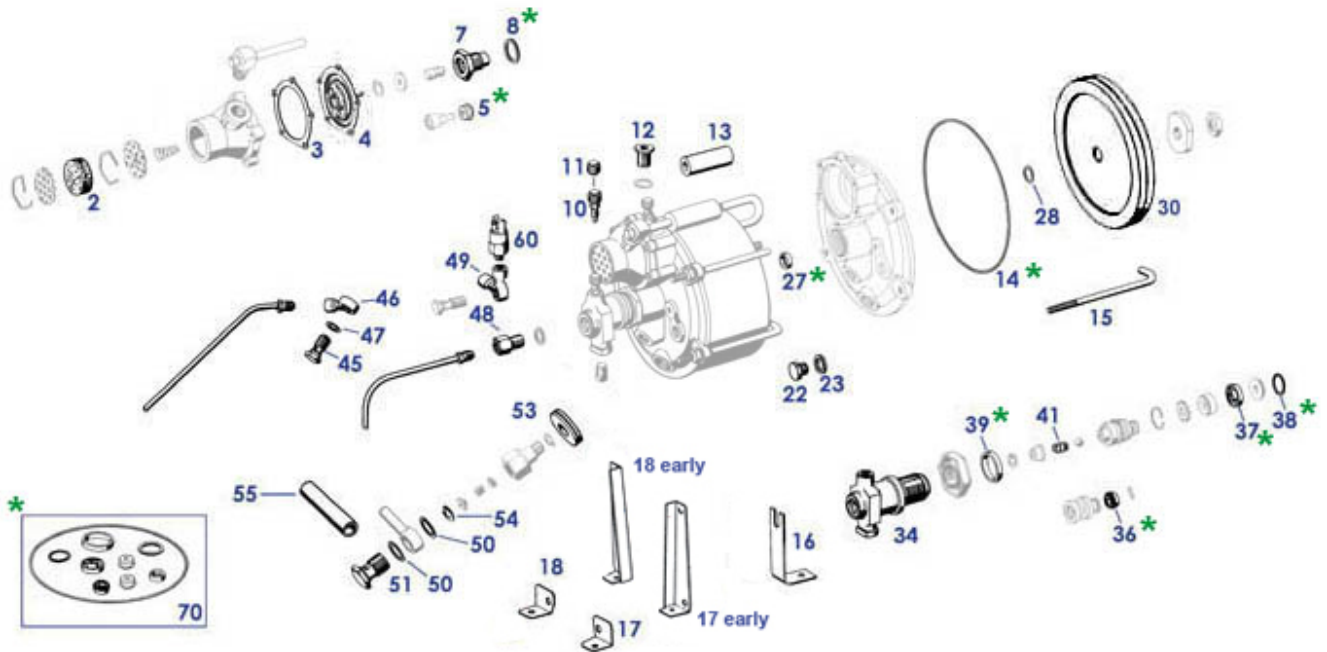
42.d Info Brake Shoes rear



	Set of brake shoes 65mm 4pce	142885	€ 243,95	52	early until 3/1962	142085	€ 305,00
75	Return spring Lt. ->024160 repro	142710	€ 30,15	75	Return spring Rt. ->024160 repro	142720	€ 29,99
75	Spring, fitting190SL from 024160 L/R, +230SL	142810	€ 12,25	77	Return spring, brake lever, fits L/R	142820	€ 4,61

43 Brake Booster T50

43 Brake Booster T50

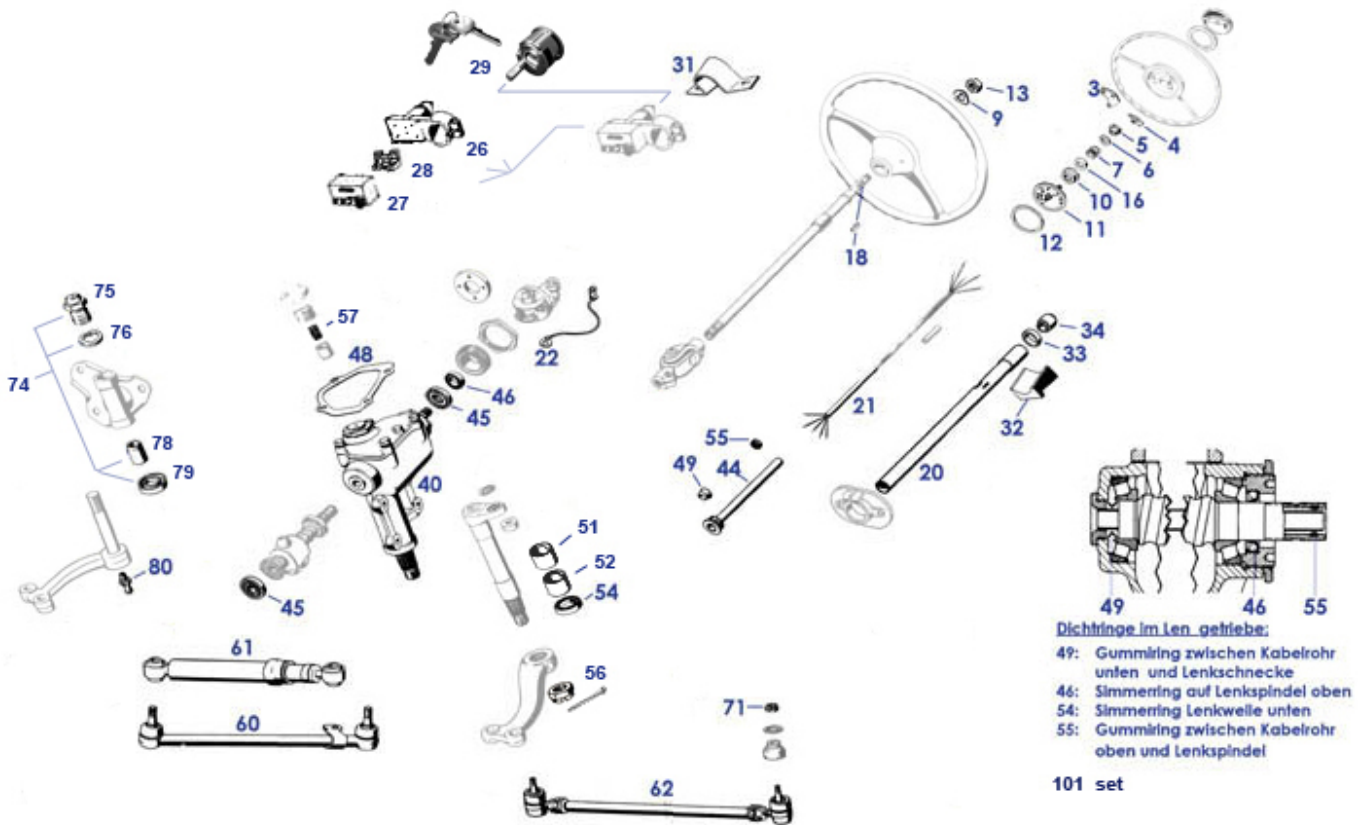


The T50 is an early development of the vacuum brake booster and was from VIN 6501956 standard equipment in the 190SL. Due to the location - independent installation (no mechanical connection to the pedal system or main brake cylinder), the retrofitting to earlier 190SL was popular and possible in RHD vehicles as well, however, the brake pipe position and main brake cylinder type have to fit. For limousines (up to W111) almost identical brake devices are placed at the front left in the engine compartment, as used parts are difficult to identify, comparing with the 190SL versions (e.g., length working cylinders). Known MB part numbers for T50 are 000 430 1230, 000 430 1430, 000 430 2130, to the latest version, ATE and MB Classic Center initiated a new edition after a long delivery gap. In the case of vehicle restoration, please make sure that the position of the brake light switch is checked, since only a replaced late switch (SLS part no. 142045) is available, mounting on top, to Y-style-fitting MB A0004281924

	Pin at booster piston	143014	€ 0,49	1	Please ask for this at Mssrs. HK-Engineering	143700	N/A
2	Filter for brake booster	143016	€ 14,29	3	Gasket	143091	€ 14,45
4	Membrane, control cyl. T50	143090	€ 202,72	4	Diaphragm control cyl. T50	143190	€ 392,69
5	Grooved rubbercup, ctrl.-cyl. T50	143095	€ 28,00	7	Ctrl-Cylinder for Booster T50	143017	€ 126,53
8	Seal ring, ctrl.cyl. T50, square profile	143018	€ 27,80	8	Seal ring, ctrl.cyl. T50, round profile	143818	€ 27,14
10	A3075530107 Bleeder screw at booster	242007	€ 8,70	11	Bleeder valve cap, brake, steering	143041	€ 2,62
12	Reducer fitting @ T50 booster	143027	€ 37,97	14	O-ring	143006	€ 21,00
15	Tightening bow, T-50	143008	€ 27,13	16	Rear mounting bracket	142105	€ 24,01
17	Front Lt. short mounting bracket pair of brackets @ T50	142109	€ 24,99	17	Front Lt. long mounting bracket	142107	€ 64,90
18	Front Rt. long mounting bracket	142115	€ 79,99	18	Front Rt. short mounting bracket	142108	€ 28,91
23	Copper seal ring	207115	€ 0,18	22	Screw plug @ booster face	142099	€ 5,80
28	Seal ring T50	143093	€ 3,19	27	Sealing ring,throttle shaft	143005	€ 4,93
34	Boost-cylinder, exch. (used part req.)	143007	N/A	30	Metal plate at diaphragm, T50	143094	€ 216,82
36	A0004350386 Boot	143015	N/A	34	Cylinder at Booster T50	143107	€ 411,89
38	Seal ring, drv piston	143083	€ 2,78	37	Seal cup, piston tail	143081	€ 47,60
41	spring, ref.-No. A0004350684	143079	€ 17,49	39	Seal ring	143013	€ 35,22
46	A0004280730 Banjo fitting	142093	N/A	45	Hollow bolt	142094	€ 4,72
49	Junction Y at booster	142048	€ 38,08	48	A0004230184 Reducer fitting @ T-50	142092	N/A
51	A0004280126 Hollow bolt @ booster botto	142096	N/A	50	Fiber seal ring M22	142098	€ 0,60
54	retaining ring for bores 17 X 1	142095	€ 0,20	53	Rubber grommet	299005	€ 2,59
55	Clamp, e.g. vac pipe	142138	€ 4,94	55	A0004351482 Vacuum hose at T50	143082	N/A
60	Brake light switch, replaced style	142045	€ 20,37	60	Brake light switch, replaced style	142845	€ 15,34
				70	Rep.kit T-50 booster, gaskets	143009	€ 145,00

46 Steering

46 Steering

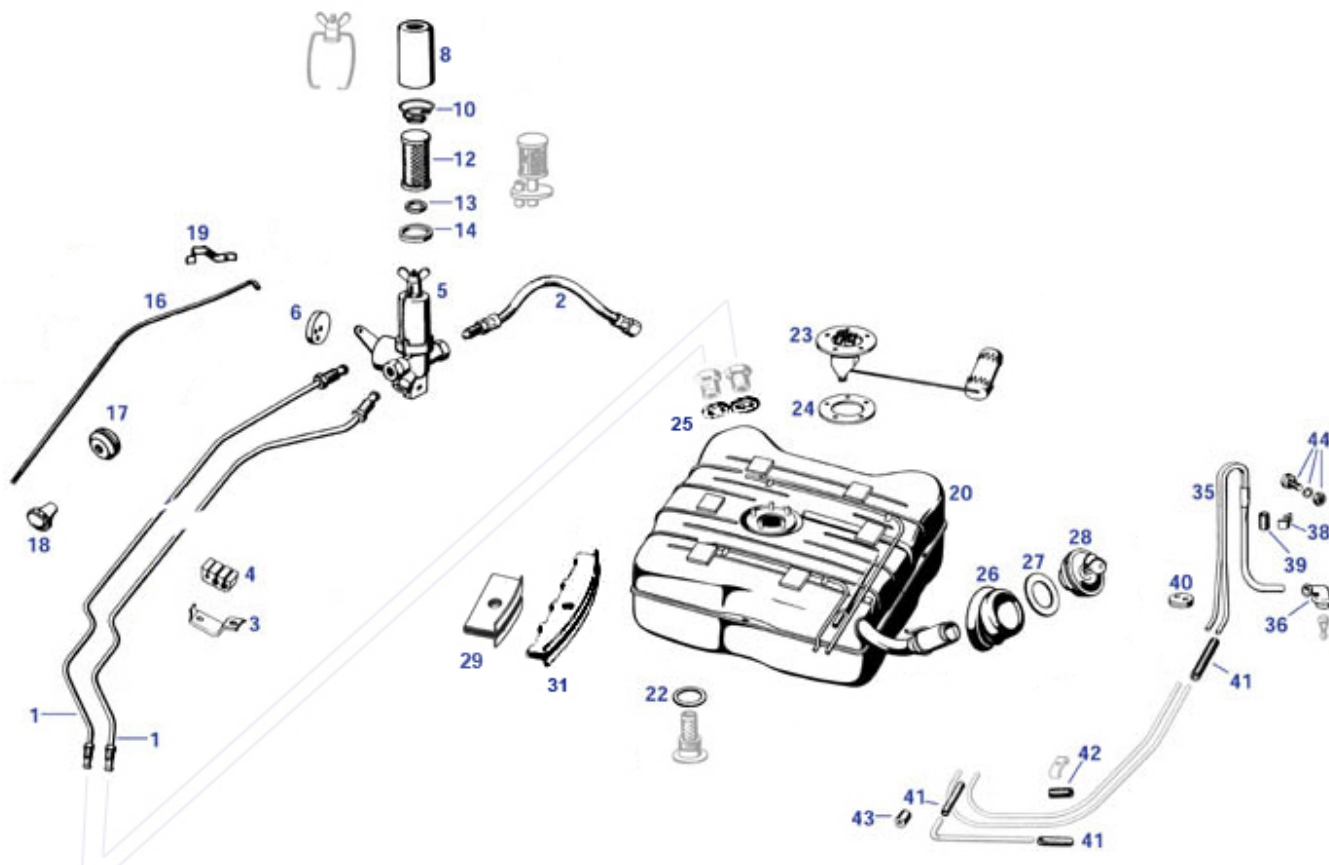


	Cotter pin 2,0 x 25, e.g. tie rod nuts	299460	€ 0,12		Chrome clamp, fits spokes of ivory steerg.wheel	146011	€ 49,85
	Castle nut M10X1, thin shape, early joint	133706	€ 2,45	1	A1864600803 Steering wheel, black	146015	N/A
1	Steering wheel, Ivory	146010	N/A	2	A1804600040 Chromering	146020	N/A
3	Locking lever	146014	€ 18,56	4	Locking lever spring	146029	€ 1,79
5	Steerg wheel crown nut	146034	€ 47,59	6	Contact washer	146033	€ 8,75
7	Contact plate pressure spring	146016	€ 3,50	9	lock shim, steering wheel	146008	€ 13,63
10	Brass cup contact	146028	€ 13,30	11	Contact plate	146025	€ 519,99
12	Contact washer, brass	146032	€ 17,79	13	Hex nut, steerg.wheel	146047	€ 18,69
14	A1874600244 Center horn button, Ivory	146030	N/A	14	A1874600144 Center horn button, Black	146035	N/A
16	Isolation washer	146019	€ 4,97	18	Woodruff key steerg. column	146009	€ 8,65
20	Steeltube, steering column, used, Version 38mm	146031	€ 899,64	21	Cable harness	154017	€ 124,95
21	Wire harness, USA turn signal	154118	€ 74,97	21	turn signal wiring harness US	154119	€ 64,99
22	Ground strap at univ. joint	146089	€ 15,59	26	steeringlock 190 SL,34 mm LHD	146870	€ 1.285,20
27	Plastic cap for steerg-column ign-switch	146051	€ 51,48	28	Switch, ign.lock	146050	€ 338,00
29	Cylinder and key, repro, for steering lock	146055	€ 479,99	30	A1214620046 joint disc up to FN	129040	N/A
31	Clamp 34mm	146018	€ 67,06	31	Clamp 38mm	146017	€ 66,76
32	Support rubber, fits column 38mm	146012	€ 75,17	32	Support rubber fits column 34mm	146013	€ 33,05
33	Rubbergrommet at steerg.column, from'56	146039	€ 24,69	34	A3124621150 Bushing, steerg.column.	146037	N/A
34	Bushing steering column '57->	146837	€ 1,50	34	N/A Needle bearing, upper steer tube, early	146036	N/A
40	Steering box in exchange, old box req.	146085	€ 2.401,40	44	A0009800010	146078	€ 71,10
44	Guiding tube f.wires late (5501501->)	146079	€ 69,20	45	Bearing, e.g. 190SL steerg	146097	€ 48,52
46	Seal ring steerg.upper, O-D 32 (early)	146043	€ 4,32	46	Seal ring e.g. steerg box / gear box	227811	€ 2,44
48	Gasket steerg box housg	146786	€ 5,94	48	Gasket steerg box housg	146086	€ 10,23

49	Sealing ring	146088	€ 13,14	51	Repair-bushing, upper. steerg box	146083	€ 33,43
51	A1204620850 bushing, upper, 190late	146983	N/A	52	A1204620750 bushing, lower, 190late	146984	N/A
52	Repair-bushing, lower, steerg box (from box-no...)	146084	€ 33,43	54	seal ring steering box early, up to box 021119	146082	€ 6,30
54	Seal ring e.g. steering box lower late	146087	€ 9,47	55	Sealing ring	146038	€ 7,33
56	hexagon thin slotted and castle nut M22 X 1,5	146049	€ 3,31	56	Split pin 5 X 45, eg castle nuts steering	246213	€ 0,43
57	Coil spring above steering shaft	146094	€ 16,23	60	Drag link 190SL ->5501501, LHD	146041	€ 186,43
60	Drag link 190,b,SL 5501502->, LHD	146040	€ 74,28	60	A1214601605 Drag link 190SL RHD	146042	N/A
61	steering dampener, up to 5501501	146081	€ 475,31	61	steering dampener, after 5501502 early joint	146080	€ 283,14
70	A0003300485 Boot w/attaching ring	233093	N/A	71	Castle nut M10X1, long shape,	133006	€ 2,38
71	Split pin 2,5 x 25, fits crown nuts seering linkag	133007	€ 0,24	73	A1204601019 Intermediate steering lever	146021	N/A
75	Idler arm nut	146026	€ 49,66	76	Locking tab ring	199005	€ 3,30
78	Idler arm bushing	146023	€ 31,25	79	Seal ring @ steering link support	146822	€ 8,25
80	Cap for grease nipple, red	333048	€ 0,65	80	Grease nippleFN	233048	€ 0,26

47 Fuel Tank

47 Fuel Tank



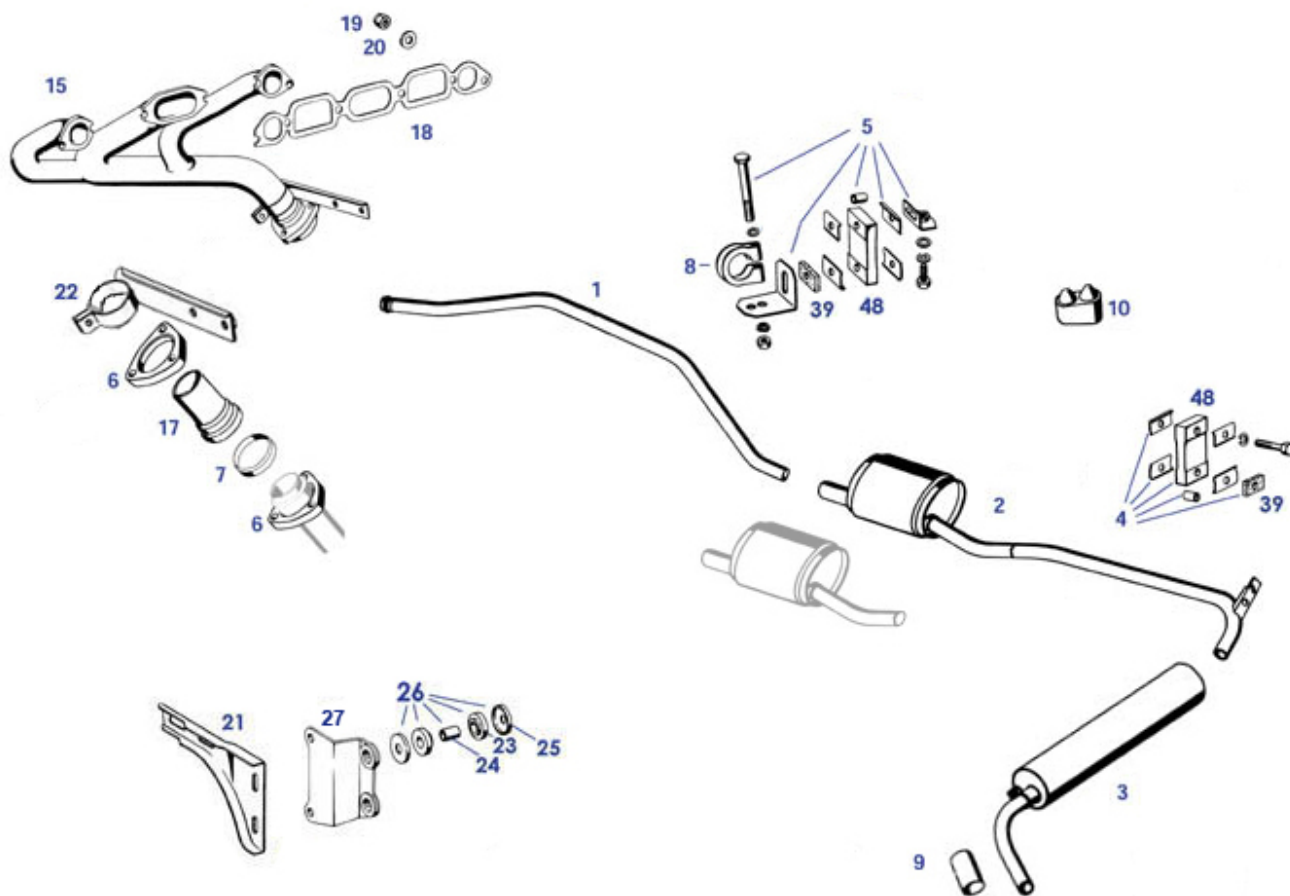
Filter housing late = from VIN 7502461 (identification mark: paper filter insert) - next to the components of the filter the thread of the hose was changed (just before with VIN 7501826). VIN 019283 (11/1960) came with tank ventilation (with components 35 etc. instead of a venting tank cap). SLS recommends this variant when installing a new tank. Tank cap with star and original closure (suitable for door locks) could be ordered with the presentation of vehicle papers in the MB-Classic-Center.

	see 243859	243059	N/A	Spring clip	147629	€ 16,66
	see 147926	147026	N/A	Fuel line, female threads 7501824	147013	€ 79,09
1	Fuel line, male threads	147012	€ 76,04	Fuel hose, 2 female threads, ->57	147027	€ 27,99
2	fuel hose 57->, see illustration	147926	€ 81,99	Set clamps and bits, pipe mounting (fuel) 56->	147140	€ 73,33
3	Fuel and brake line clamp, for 30mm rubbers	147014	€ 2,50	Rubber guide	147038	€ 3,76
4	Rubber prot. 3 pipes in clamp	147839	€ 2,59	Kraftstoffumschalter früh, Repro	147825	€ 499,99
5	Fuel filter housg. 190SL`57-> "large"	147005	€ 446,25	Fuel tap & filter, late (large)	147105	€ 399,99
5	see 147825	147025	N/A	Gasket, fuel tap ->7502460	147089	€ 8,56
6	Gasket, fuel tap 7502461->	147088	€ 3,72	A0004771318 Wire clamp	147018	N/A
8	Shell, afte) 7502460	147004	€ 60,99	A0009940837 Spring	147037	N/A
11	Filter element, re-useable	147002	N/A	Filter element, throw away paper	147001	€ 13,07
13	Gasket, filter element to housg late	147085	€ 1,36	Gasket, filter cup ->7502460	147081	€ 4,86
14	Gasket, filter cup 7502461->	147080	€ 2,14	Reserve rod	147075	€ 44,14
17	Grommet for front panel	299808	€ 0,77	Knob (M5) for wiper switch...	154044	€ 49,98
19	Spring clip	147029	€ 29,90	Fuel Tank ->019282, 64 litre	147000	N/A
20	Fuel tank,019282->,with breather, 64	147003	€ 959,27	N/A : Screwed drain plug	147055	€ 49,80
22	Alu seal ring M26, e.g. fuel tank	147056	€ 0,95	please consider/follow new wiring pic	154000	€ 116,99
24	Gasket for fuel sender 1956-1972 A1104710180	147015	€ 1,48	Seal ring f. bolt 705004	705005	€ 0,68
26	Grommet, fuel filler neck, 190SL	147017	N/A	Grommet, fuel filler neck, 190SL	147717	€ 27,56
27	Seal ring @ gas cap	247010	€ 3,27	Cap, ventilation characteristics unknow	147807	€ 203,47
28	A00047120309999 Gas cap locking non-ven	147011	N/A	A00047113309999 Gas cap locking, vented	147007	N/A
28	N/A Gas cap locking non-vented	147010	N/A	A0004711330 Gas cap locking,	147006	N/A

29	Retainer, fuel tank	147822	€ 66,94	31	vented		
					Fuel tank bracket, wide design, see 147022		€ 69,85
35	Vent pipe (fuel breather)	147068	€ 59,15	36	illustration		
					Grommet, tank vent pipe through 147070		€ 6,52
37	A1204710635 Strainer	147069	N/A	38	carbony		
39	1m. Fuel hose 7,5x13,0 flat surface	247007	€ 8,50	40	Clamp, small, e.g. hydraulic pipe 229027		€ 3,65
					Grommet, two hole, 5/24, for fuel 199028		€ 5,26
					tank ventilation		
40	Grommet, 4,5/10mm, cable@wheelarch	182005	€ 2,53	41	1 m Fuel hose, 4 x 10 247046		€ 4,76
41	1m Fuel hose tank->pump 11/17mm, fabric	247005	€ 10,41	42	1m rubberhose, e.g. ventilation 147067		€ 6,76

49.a Exhaust System

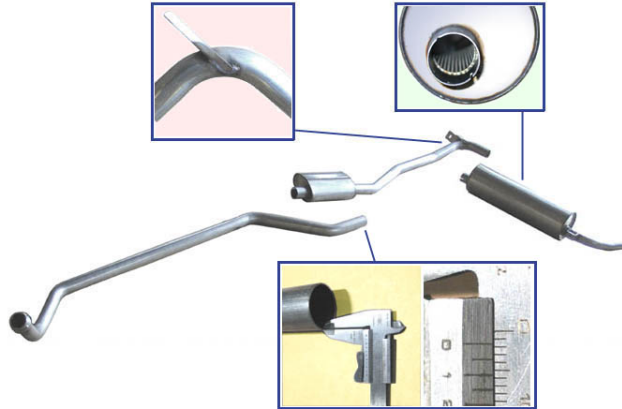
49.a Exhaust System



	Angle bracket, short, zincod	149846	€ 17,53	Bushing, spacer, e.g. exh hangers 190	149056	€ 4,15
	Angle bracket, zincod	149849	€ 16,23	Angle bracket, short, black W/S glastransp. incl. box(Germany)	149046 967999	€ 17,85 € 121,25
	Angle bracket similar 1204920117	149049	€ 19,50	Centre silencer, aftm.zn/al-plated	149020	€ 155,00
1	Exhaust pipe, front 6503210>	149010	€ 99,90	Hanger kit, exhaust rear	149040	€ 23,06
3	Rear silencer, aftm.zn/al-plated	149030	€ 174,00	3-hole flange 190SL late (inner Diam. 60mm)	149844	€ 55,55
5	Rest	149945	€ 90,40	Hex. bolts zinc plated, M8 X 60	749849	€ 1,21
6	Screw M8x55 exhaust bracket	249048	€ 0,96	3-hole flange 190SL early (inner Diam. 52mm)	149043	€ 45,21
6	Nut M8, copper, hex 13	714008	€ 2,30	Seal ring, flange 56->	149050	€ 16,10
7	A1214920381 Seal ring, flange ->56	149051	N/A	Tail pipe (to 149011) polished	149061	€ 36,30
8	Exhaust clamp, 51mm	149017	€ 3,96	Chrome pipe fits 48mm muffler	149860	€ 27,58
9	Exhaust trim 52 mm, chrome Compare-No: A1234920714	549834	€ 50,45	Exhaust manifold from 6503210, Repro made in Germa	114017	€ 3.011,89
10	Rubber bumper at floor	149035	€ 23,57	Manifold repair/repl. end,late diameter	114018	€ 118,99
15	Exhaust manifold from 6503210, A2-steel repro	114817	€ 17 2.695,35	see 114000	114800	€ 8,90
18	Exh-/Intake gasket ELRING	114000	€ 8,53	Washers, e.g. exh.manifold->head	114007	€ 9,98
19	Nut, M10, exh manifold	114008	€ 1,25	Exhaust manifold clamp from 6503210	114050	€ 113,84
21	Exhaust support bracket, late LHD	114016	€ 59,63	Bushing, e.g. support manifold bracket	114803	€ 4,33
23	Rubber shim at exh. bracket	114002	€ 3,83	Mounting bracket for exhaust	149047	€ 165,40
25	Retainer at exh. bracket	114001	€ 6,55	Isolation plate at exhaust bracket	149039	€ 3,30
39	Plate at exh-rubbers	149057	€ 5,59	Bolt M8 x 45	149069	€ 1,14
48	Rubber hanger, exhaust 190SL, pontoon	149048	€ 5,65			

49.b Stainless Steel Exhaust 190SL

49.b Stainless Steel Exhaust 190SL



SLS EDELSTAHL - AUSPUFFANLAGEN

SLS-Edelstahlauspuffanlage

190SL ab Fgst. 653210 149011
(bei Anpassung des Auspuffkrümmers auch für frühere Fahrzeuge verwendbar)

Montageset

190SL Komplett-Montageset 149012
(Aufhängungsteile, Schellen, Dichtung, Dreilochflansch)

Abweichende Zusammenstellungen können wir Ihnen auf Nachfrage anbieten.

Eine empfehlenswerte Alternative zu den erhältlichen konventionellen Stahl-Auspuffanlagen möchten wir Ihnen mit den weiter verbesserten SLS-Edelstahl-Produkten anbieten:

- Rohre und Topfwandungen sind aus 1,5mm starker Edelstahllegierung gefertigt, dessen Güte einen guten Kompromiß aus Elastizität und Korrosionsbeständigkeit bietet. Das Material verhindert Sprödrisse sowie Durchrostungen und Resonanzbildung.
- Rohrführungen und -durchmesser sind an die Original-Konstruktion angelehnt und ermöglichen den richtigen Abgasrückstau und Klangcharakter.
Die Rohrbiegungen haben keine nennenswerten Falten oder Verengungen.
- Sämtliches Original-Montagematerial kann verwendet werden.
- Zurückgestellte Topf-Stirnwände bieten Schutz vor Spannungsrissen.
- Vor dem Verlust von Bedämpfungsmaterial schützt eine spezielle Füllung und ein Rückhaltesystem.
Sorgfältige Verarbeitung auch innerhalb der Auspufftöpfe beugt unangenehmen Überraschungen vor.
- Die Herstellung erfolgt computergestützt und unterliegt ständiger Kontrolle, so daß bestmögliche Maßhaltigkeit gegeben ist.
- Das unkomplizierte Verschellen ermöglicht spätere Teil-Demontage und erleichtert viele Arbeiten am Fahrzeug.

Der Lieferumfang ist jeweils eine komplette Auspuffanlage ab Krümmer-Ende; zu den Auspuffanlagen empfehlen wir die passenden komplett-Montagesets und unsere Montageanleitung.
Alle weiteren Fragen beantworten wir Ihnen gern telefonisch.
Lassen Sie sich auch über unsere günstigen Versandwege informieren.

Rubber hanger, exhaust 190SL,
pontoon

[149048](#)

€ 5,65

149011

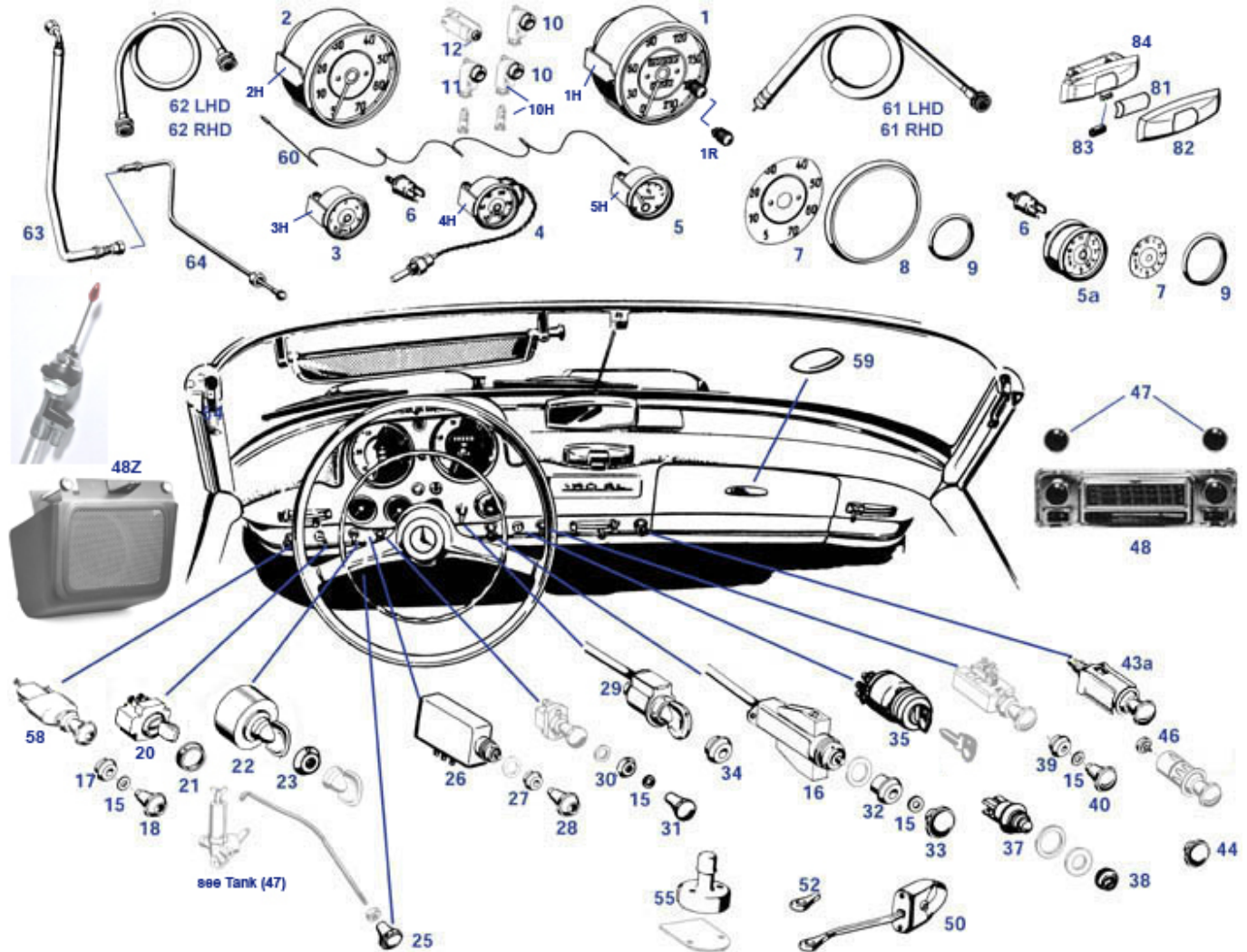
Exhaust manifold from 6503210,
A2-steel repro

[114817](#)

€
2.695,35

54.a Electric Equipment (Dashboard)

54.a Electric Equipment (Dashboard)

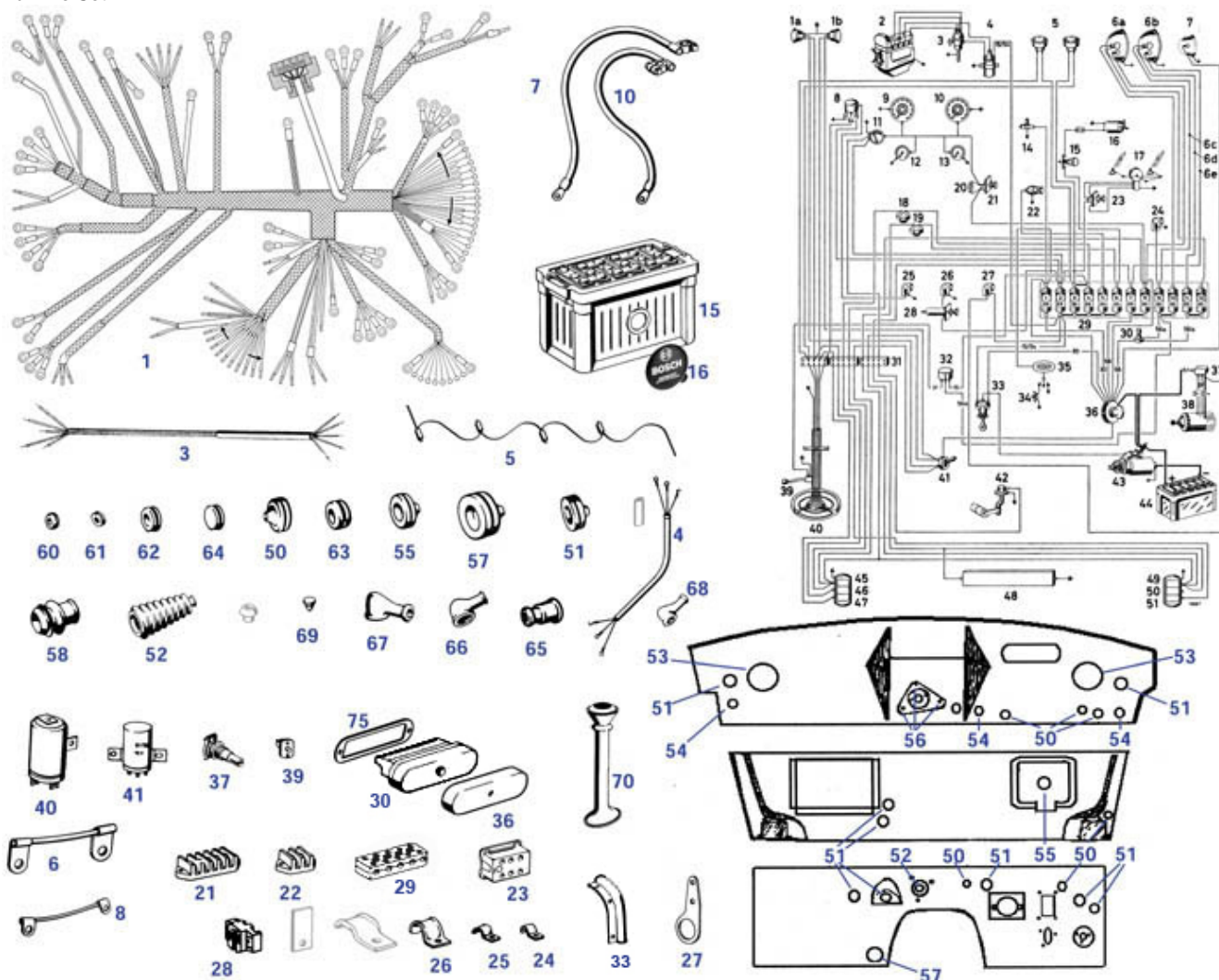


	Clock, mechanical, overh. 1st series	154100	€ 2.631,39		Upgr. hazzard flasher Hella with wiring	982834	€ 183,25
	Chrome milled nut, long, e.g. Clock	154109	€ 27,97		N/A ! Clock, mech.new,former vers.	154110	N/A
	Clock, Repro Quarz	154111	N/A		We would be happy to advice you Overhaul-service:	154115	N/A
	Rosette 190SL am Bedienknopf	154029	€ 39,87		Alu handle, hood release	188019	€ 78,00
	Antenna, manual	299974	N/A		n/a: switch, see 982034 instead	982036	N/A
	pigtail harness fits emergency switch 982034	982035	€ 52,30		Plastic cap for steerg-column ign-switch	146051	€ 51,48
	Bracket / Clamp for watch	154216	€ 170,93		fuel gauge, original VDO, overhauled	154230	€ 654,50
	Radio"Becker Europa Transistor" extra equipment	199800	€ 854,07	1	Bracket / Clamp Speedometer; second version, see p	154211	€ 231,76
1	Bracket / Clamp Speedometer first version, see pho	154210	€ 276,84	1	We would be happy to advice you Overhaul service,	154045	N/A
2	We would be happy to advice you Overhaul service,	154040	N/A	2	Bracket / Clamp tachometer	154212	€ 283,28
3	Bracket / Clamp oil	154218	€ 115,89	3	Oil press gauge 190SL, REPRO	154146	€ 227,48
3	We would be happy to advice you Overhaul service,	154046	N/A	4	Bracket / Clamp for themp gauge	154215	€ 115,89
4	Temp.gauge repro, Fahrenheit	154136	€ 298,99	4	Temp.gauge repro, Celsius	154135	€ 299,99
4	Gewindestutzen zB Messkapillare in Kopf	120037	€ 29,99	4	We would be happy to advice you Overh. service, W	154005	N/A
4	A1985420305 Water temp.gauge °C, new	154001	N/A	5	Bracket / Clamp for fuel	154217	€ 115,89
5	Fuel gauge, Repro	154130	€ 227,48	5	We would be happy to advice you Overhaul service,	154030	N/A

5	We would be happy to advice you Overhaul service,	154031	N/A	6	Bulb holder BA9S	154037	N/A
6	light bulb 12V/2W, BA9s, eg. Instruments	254033	€ 2,20	6	bulb holder BA9s fits lamp 2W	154048	€ 6,55
7	Dial face, water temp.gauge (D)	154099	€ 60,57	7	Dial face, fuel gauge (D)	154098	€ 66,15
7	Dial face, oil press gauge, German	154097	€ 65,55	7	Dial face, speedom.(no counter slot)	154094	€ 222,99
7	Dial face, tachometer, RPM+UPM	154093	€ 160,00	8	Chrome ring, speedo/rev.counter	154091	€ 65,45
8	Chrome knob, trip-ctr-reset	154083	€ 57,89	8	Chromring für Instrument groß Repro	154191	€ 35,56
8	Glass, rev counter	154081	€ 29,00	8	Glass, speedometer 190SL	154082	€ 29,75
9	Chrome ring, small instruments	154092	€ 24,38	10	Escutcheon w. red lens	154035	€ 59,86
10	Generator control lamp complete, Repro	154039	€ 308,90	11	Escutcheon w. white lens	154038	€ 59,86
12	Hi-beam indicator lamp escutcheon	154036	€ 63,49	15	A0009972040 Felt ring	154025	N/A
16	Choke/hot start wire assy, overhauled	130010	€ 657,95	17	Escutcheon for switch (wiper/blower)	154061	€ 49,98
18	Chrome knob, heater fan, amber lens	154072	€ 55,34	20	Clearance light switch	154042	€ 295,00
21	Escutcheon, park light switch	154034	€ 49,98	22	overhauled OEM headlight switch W121	154133	€ 977,61
23	Rep hub/pinion, plastics, for ligt switch	154158	€ 42,64	23	Rep hub/pinion, plastics, for ligt switch	154829	€ 29,89
23	Escutcheon, main light switch	154033	€ 52,35	23	Rep hub/pinion, plastics, for ligt switch	154858	€ 26,79
25	Knob (M5) for wiper switch...	154044	€ 49,98	26	Emergency flasher 1969->, no knob incl.	282034	N/A
27	Escutcheon for'69 hazardswitch	154063	€ 49,98	28	Knob to adapt late hazard relay switch	154073	€ 55,34
29	Wire 190SL->7501282	130060	€ 684,70	29	Chrome knob, ign-adjuster	130061	€ 59,00
30	Escutcheon, cockp.light switch	154028	€ 49,98	31	Knob, cockpit light switch	154068	€ 49,98
32	Escutcheon, choke cable	154027	€ 52,96	34	Escutcheon for ignition timing cable	154026	€ 49,98
35	Starter key switch, simplified	154003	€ 47,97	36	A00054505359506 Ign.lock key	154103	N/A
37	Starter swich, plastic	154902	N/A	37	Chrome starter knob/switch	154002	€ 74,09
37	Chrome button for starter	154802	€ 309,40	38	Escutcheon, starter knob	154832	€ 49,98
38	Escutcheon, fits starter knob "M16"	154032	€ 49,88	43	Chrome knob M3 with cigar lighter, see picture	154078	€ 70,50
43	Cigar lighter , see picture	182047	N/A	43	Cigar lighter, see picture	182847	€ 194,22
44	Knob, cigar lighter early, M4	154071	€ 54,92	44	Knob, cigar lighter late, M5	154043	€ 49,98
46	Spiral element, fits genuine cigar lighter	154049	€ 18,49	47	Knob, radio	154050	€ 86,75
48	Speaker box 190SL, wood, leather, black	168017	€ 519,99	48	Antenna, manual, red knob	299967	€ 101,95
48	Speaker box 190SL 40W, metal housing	168016	€ 478,48	48	Speaker box 190SL, wood, leather, color customized	168018	€ 519,99
48	Becker Europa w. 190SL-face, transist.	199960	N/A	48	Retro-Radio "Hermosa"	299940	N/A
50	High beam switch at Euro-steerg column	154812	N/A	50	Rep chrome lever high beam switch	154019	€ 194,55
52	Knob 'ivory' high beam switch (fitsorig)	154014	€ 71,69	52	Knob 'ivory', smaller ID	154814	€ 77,59
52	Knob 'ivory' high beam switch (fitsorig)	B154014	€ 16,26	55	see 454012, foot operated switch	254012	N/A
55	foot operted switch	454012	€ 32,68	58	Pull switch for blower, 1-stage, with ring, withou	154841	€ 278,09
59	Glove box handle	168878	€ 91,25	59	Glove box handle	168078	€ 114,00
60	Instrument lighting harness	154004	€ 34,99	61	Speedo cable 190SL LHD Repro	154810	N/A
61	Flex.drive shaft, speedom. RHD	154015	€ 48,75	61	Rubber grommet 10/35, flex- shaft/frame	199026	€ 8,68
61	Flex.drive shaft, speedom. LHD aftm.	154010	€ 39,26	62	Flex.drive shaft, tachom. LHD aftm.	154020	€ 38,35
62	Flex.drive shaft, tachom. RHD	154022	€ 68,72	62	Rev counter cable 190SL LHD Repro	154820	€ 58,83
63	Hose,eng.to gauge-pipe,late M10-M8 445m	154059	€ 52,00	63	Oil press hose early style (M10)	154957	€ 52,31
64	Oil pipe RHD 59-> M8	154066	€ 121,39	64	Oil pipe LHD 59-> M8	154065	€ 85,09
64	Oil pipe LHD ->59 M10	154064	€ 77,98	64	Oil pipe RHD ->59 M10	154062	€ 105,73
81	Lens, interior light	182066	€ 12,50	82	Cover, map light	182065	€ 132,99
83	Plastic knob for light chrome cap	182067	€ 36,89	84	Dashboard lamp, complete	182128	€ 384,00

54.b Wire Set

54.b Wire Set



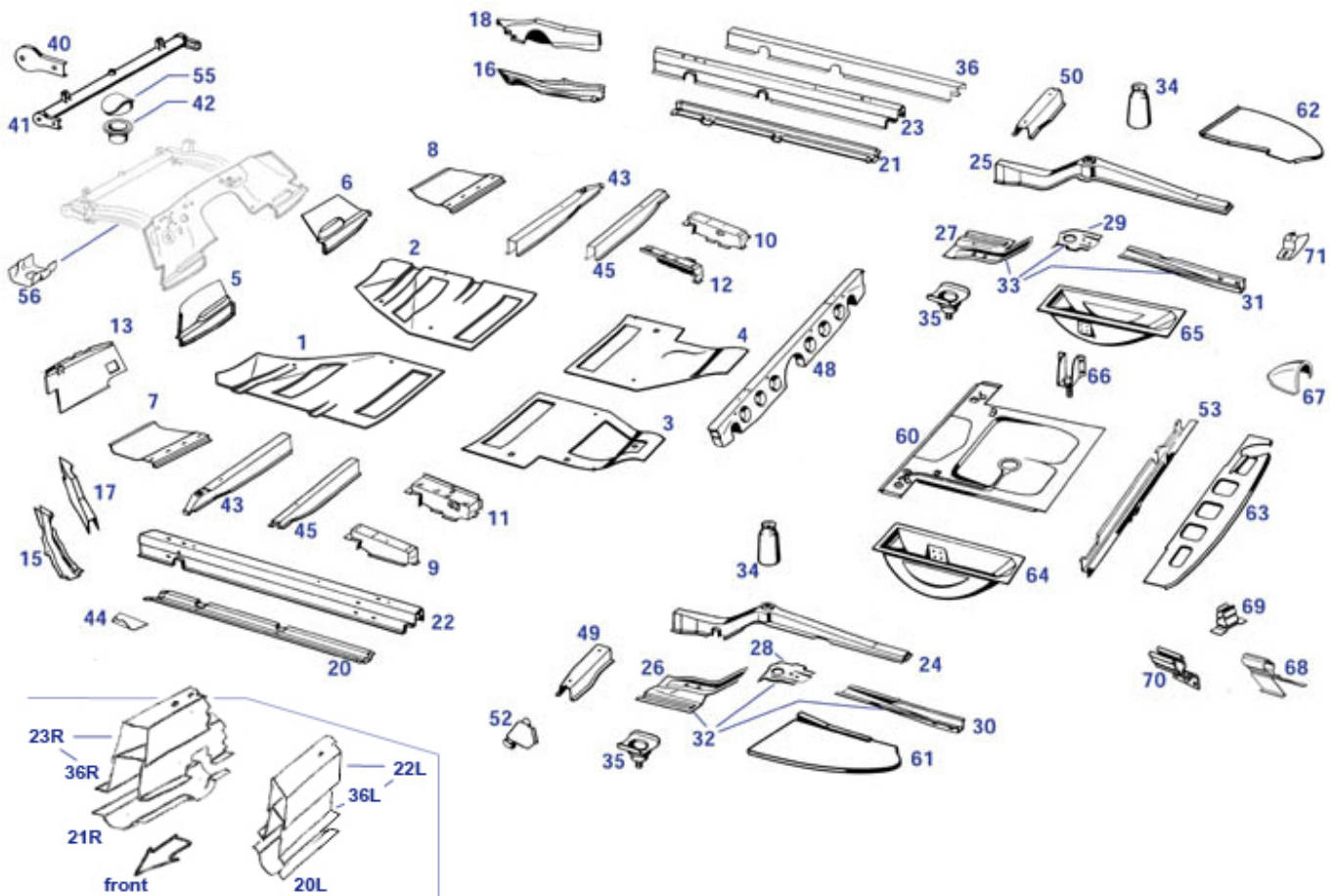
	A1249870540 Rubbergrommet at mudguard	199012	N/A	contact bushing 4mm brass, silver plated	254855	€ 1,40
	Rubber cap inner side 15mm	215015	€ 1,46	A0065458028 housing partial, 6-pole-fem. see pictu	254076	N/A
	A1005800010 Spare fuses, packet	258090	N/A	Tail harness w/late plate lights	154555	€ 284,99
	Tail harness, w/ FN plate lights	154550	€ 332,00	bulb holder BA9s fits lamp 2W	154048	€ 6,55
	Plug socket 12V/16A, Bosch, universal	554067	N/A	6-pole housing (plastic base & cap), no metal bush	254180	€ 8,45
1	Tail harness RHD early	154565	€ 212,42	1 Main cable harness RHD	154535	€ 1.350,00
1	main wire harness RHD up to 8501845	154525	€ 1.309,00	1 Main cable harness 8501846 to 018971	154510	€ 1.350,00
1	Main cable harness >8501845	154500	€ 1.350,00	1 Main cable harness 018972>	154520	€ 1.299,00
3	Cable harness	154017	€ 124,95	4 Generator to V-reg. harness	154008	€ 62,00
5	Instrument lighting harness	154004	€ 34,99	6 A1865400341 Starter to front panel grou	154007	€ 49,17
6	Starter ground cable to clutch housing	154006	€ 36,99	7 length 610mm	154597	€ 79,99
7	Neg.-batterie cable	154598	€ 83,90	8 Ground strap at univ. joint	146089	€ 15,59
10	Starter wire (+)	154599	€ 105,90	15 Battery 12V/56Ah dry uncharged	154085	N/A
15	pickup and del-t: battery 190SL	154785	N/A	16 Bosch label f. battery	154084	€ 9,40
21	5-pole block terminal	154054	€ 55,16	22 authentic Repro similar Kostal Bakelite 20490	154052	€ 44,85
23	Sold on sleeve 4mm	254055	€ 2,69	23 as long as stock lasts! el. connector (fem) 6-pol	254984	€ 27,67

24	clamp, ca. 25mm, wires	199023	€ 7,74	24	Clamp 5mm e.g. brake lines	143038	€ 0,50
25	Clamp small, e.g. bowden cable	199011	€ 5,58	26	Clamp, e.g. oil-pipe, wires	199025	€ 4,59
27	Bracket, starter wire (+)	115048	€ 47,60	28	Socket, fits Bilux-bulb, classic style	182041	€ 7,20
29	5 pole threaded terminal, repro	154753	€ 19,99	29	5 pole threaded terminal similar	154053	€ 63,49
30	Fuse box w. cover	154190	N/A	33	A1205460081 Covering, wire in trunk	169154	€ 18,39
36	Fuse box cover "Bakelit"	182029	€ 64,25	36	Bolt, fuse box cover	182059	€ 6,19
36	25Amp fuse, short version, NOS	258991	€ 5,69	37	Plug socket 12V/16A, universal, non-MB, non-Boschl	554867	€ 8,83
37	Con.housing, 2 pole flat	254103	€ 0,54	37	A0005450525 Plug socket f. ext.lamp	154067	N/A
39	Rubbershim @ door switch	182121	€ 12,50	39	Door switch, Reproduction	182821	€ 26,00
39	A0008210252 Door switch, version flat poles	182021	€ 28,98	40	Turn signal transmitter (metal), Bosch	182001	€ 67,29
41	Pulse generator, flat connectors, plastic housg, H	154018	€ 40,10	41	NLA: Turn signal transmitter (metal), Lucas	182701	N/A
41	Sticker "Blinkgeber senkrecht einbauen"	179026	€ 5,70	50	Two hole grommet,heater & choke cables	130005	€ 3,05
50	Grommet for front panel	299808	€ 0,77	50	Rubber grommet 3/18, 121,113,107 and other	199010	€ 1,67
51	Rubber grommet 11/30, bulkh(190),107,..	299017	€ 1,59	52	Accelerator rod bellows	130100	€ 8,68
54	Grommet 3 cable 3/20	199008	€ 1,23	55	Rubber grommet	299005	€ 2,59
56	Washer, No./Licence plate	188098	€ 2,82	57	Rubber grommt 10/42, starter/generator wire	199014	€ 2,75
57	Rubber grommet 10/35, flex-shaft/frame	199026	€ 8,68	58	Rubber sleeve for headlight harness	154080	€ 8,39
59	Rubbergrommet, headlight bucket	182857	€ 16,78	60	Grommet, 4,5/10mm, cable@wheelarch	182005	€ 2,53
61	Rubber grommet 10/15, taillight bucket 190SL, 107	199020	€ 1,08	62	Rubber grommet, rear wire harness, 16/22	199018	€ 2,18
62	Grommet for Fuel Pump Wiring	299018	€ 2,53	63	Rubbergrommet 8/26, booster/battery 190SL	199081	€ 3,61
64	Rubber, locking washer 20mm	399016	€ 1,31	65	Prot.sleeve ign.leads -> distributor	215815	€ 2,73
66	Cap, starter terminal	154056	€ 5,71	67	Rubber cap, starter wire, small	754026	€ 6,14
67	Rubber Boot on Starter Motor and Alternator	254126	€ 7,16	68	Rubber dust boot (at Gen. .)	254051	€ 3,25
69	Rubber buffer 5mm,121,113,10	298066	€ 0,89	70	Rubber tube grommet @ lamp buckets	154860	€ 31,82

61 Chassis Raw Floor & Panelling

61 Floor Panelling

61 Floor Panelling

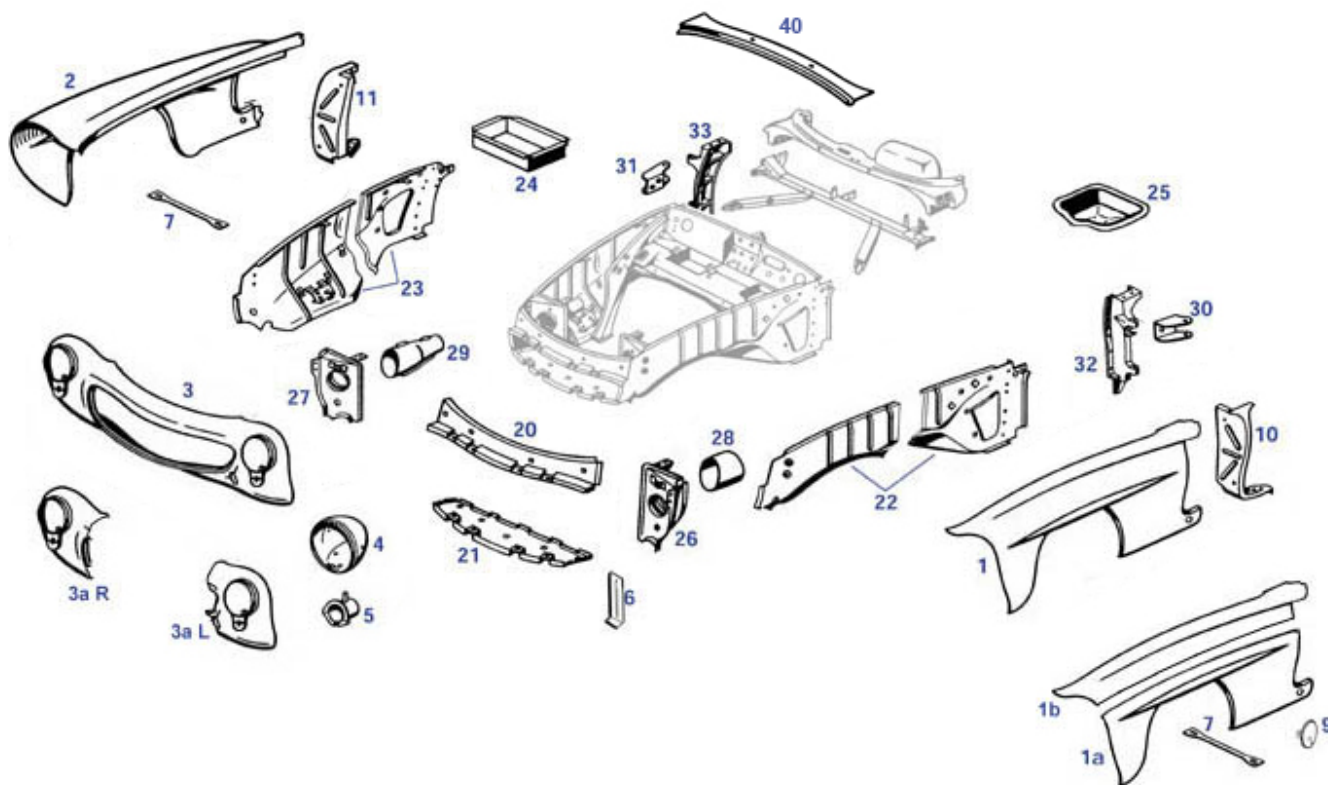


	Mounting bolt	150708	€ 13,49		Vierkantmutter in Blechlasche	161259	€ 2,93
	set of 4 seat supports	161865	€ 588,34	1	Floor panel, front, Lt.	161010	€ 139,13
1	Floor panel front left W121 & Ponton A121616016	161011	€ 220,15	2	Floor panel, front, Rt.	161020	€ 139,13
2	Floor panel front right W121 & Ponton A12161602	161021	€ 220,15	3	Floor panel rear LH 190SL	161044	€ 229,67
3	Floor, rear, Lt.	161045	€ 164,17	4	Floor panel rear RH 190SL	161053	€ 229,67
4	Floor, rear, Rt.	161055	€ 164,17	5	Pedal floor, partial, Lt.	161090	€ 112,99
6	Pedal floor, partial, Rt.	161100	€ 112,99	7	Upper kick floor front left	161190	€ 71,91
7	Screw 3,9	299279	€ 0,27	8	Upper kick floor frt Rt	161200	€ 71,91
9	Seat support, outer, Lt.	161250	€ 161,00	9	Seat support, outer, Lt.	161850	€ 153,21
10	Seat support, outer, Rt.	161880	€ 153,21	10	Seat support, outer, Rt.	161280	€ 161,00
11	Seat support, inner, Lt.	161260	€ 166,66	11	Seat support, inner, Lt.	161860	€ 153,21
12	Seat support, inner, Rt.	161870	€ 153,21	12	Seat support, inner, Rt.	161270	€ 166,66
13	pan head tapping screw zinc plated 3,9 X 13	188889	€ 0,25	13	Left False Floor under Pedals (LHD)	168150	€ 174,99
15	Rail cap, front, Lt.	161070	€ 175,00	16	Rail cap, front, Rt.	161080	€ 175,00
17	Side supp top Lt.	161075	€ 162,27	18	Side supp top Rt.	161085	€ 162,27
20	Side member lower rail cap. Lt.	161110	€ 122,40	21	Side member lower rail cap. Rt.	161120	€ 122,40
22	Side frame rail, upper Lt., both upper shells assy	161170	€ 311,98	23	Side frame rail, upper Rt., both upper shells assy	161180	€ 311,98
24	Side member, top rear left	164245	€ 904,78	25	Side member, top rear, Rt.	164255	€ 904,78
26	Forward 1/3 of item 161145 Lt.	161130	€ 219,50	27	Forward 1/3 of item 161155 Rt.	161140	€ 219,50
28	Center section of item 161145 Lt.	161135	€ 179,69	29	Center section of item 161155 Rt.	161136	€ 179,69
30	RR frame member LH, lower end section	161150	€ 209,04	31	RR frame member RH, lower end section	161160	€ 209,04
34	Cup for shock absorber mounting	161166	€ 260,90	35	Support for rear axle strut	161210	€ 31,89
35	Split pin 3x36	133059	€ 0,18	36	Rep.section rail, Rt., intermediate shell	161181	€ 187,82
36	Rep.section rail, Lt., intermediate	161171	€ 187,82	40	Front Bumper Bkt. attachment	161311	€ 53,19

	shell					
41	Cross tube, front	161310	€ 257,40	42	Step bearing	161030 € 187,59
43	Cross member, front jack port	161330	€ 205,12	44	Small connection plate near jack ports	161335 € 7,24
45	Cross member, seat, front support	161240	€ 71,11	48	Rear seat area forward supp. Lt.+Rt.	161410 € 795,90
49	Frame member, Lt. for Jack	161360	€ 49,99	50	Frame member, Rt. for Jack	161370 € 49,99
52	Jack point, rear	161350	€ 52,76	53	Cross member trunkfloor,w/o tank bracke	161400 € 283,24
53	Support, fuel tank @ cross member	161401	€ 40,40	53	Cross member trunk floor,w.tank bracket	161405 € 252,35
55	Spacer cup 5,5mm	161325	€ 146,97	55	Spacer cup 3,5mm	161323 N/A
55	Spacer cup 4,5mm	161324	€ 155,52	55	Spacer cup 6,5mm	161326 € 149,58
55	Spacer cup 2,5mm	161322	€ 139,15	55	Spacer cup 1,5mm	161321 € 106,78
55	Spacer cup 9,5mm	161329	€ 157,48	55	Spacer cup 8,5mm	161328 € 154,84
55	Spacer cup 7,5mm	161327	€ 152,21	56	Support	161320 € 203,44
60	Trunk floor, center section	161220	€ 369,41	61	Side floor, 190SL trunk, left	161005 € 103,61
62	Side floor, 190SL trunk, Rt.	161006	€ 103,61	63	Trunk floor, rear extension	161230 € 196,55
64	Spare tyre well Lt. simplified	161291	€ 471,64	64	Spare tyre well Lt.	161290 € 575,00
65	Spare tyre well Rt. simplified	161301	€ 566,59	65	Spare tyre well Rt.	161300 € 575,00
66	Gas tank mounting bracket	161380	€ 20,46	67	Cover, for gas tank neck	161390 € 91,00
68	Tire jack holder 190SL	164043	€ 130,00	69	Lug wrench holder	164041 € 15,33
70	Jack/tool support	164054	€ 126,00	71	support, near 3rd exhoust mount	161490 € 60,56

62 Panelling (Front)

62 Panelling (Front)

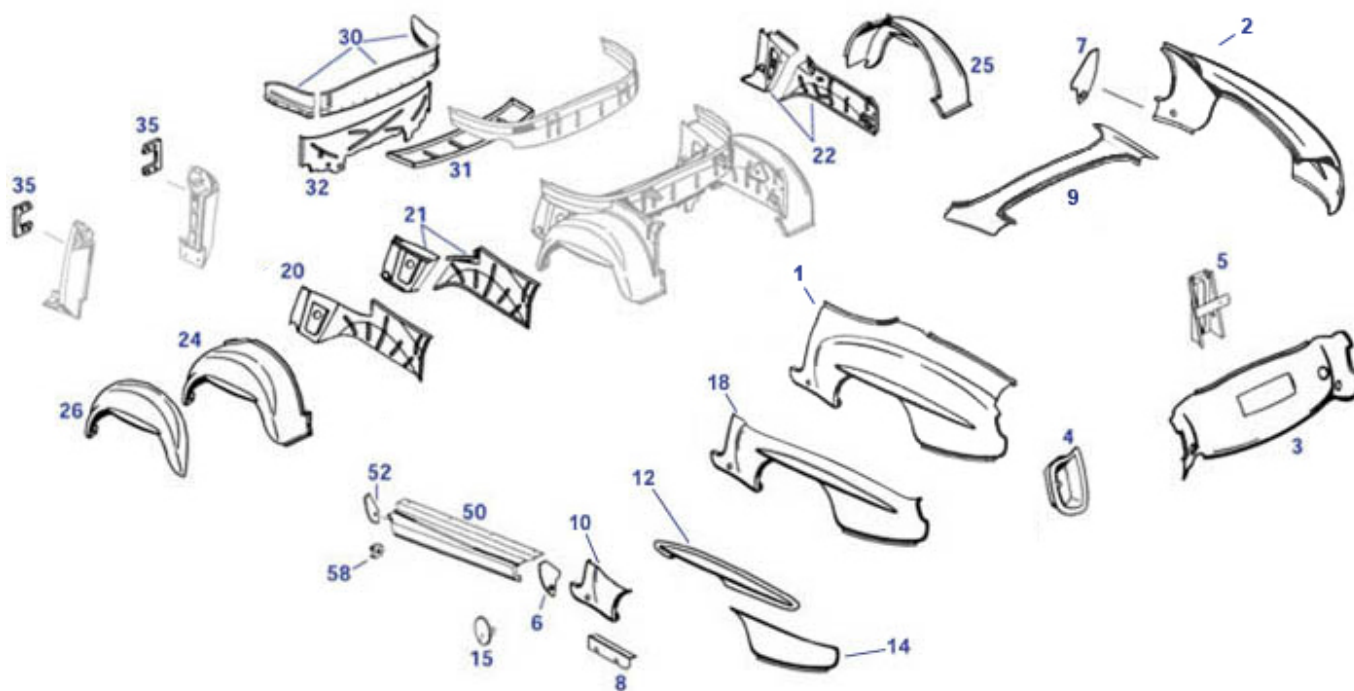


	Nose panel 190SL, Reproduction	162830	€ 1.181,21		1 pair inner splash wings s.steel	188054	€ 178,50
	Mounting bolt	150708	€ 13,49		W/S glastransp. incl. box(Germany)	967999	€ 121,25
1	Bonnet stilt rack	188747	€ 35,16	1	Fender upper rep.-section Lt.	162009	€ 371,99
1	A1216200109 Sellout: Fender, front, Lt.	162010	N/A	1	Patch panel, front left .fender, 3/4 wing	162011	€ 551,09
1	Fender upper rep.-section Rt.	162019	€ 371,99	1	Patch panel, frt.fender Rt., '3/4wing	162021	€ 551,09
1	Frt fender LH, Repro	162810	€ 1.603,43	1	Cardbox for large spareparts, 170x60x80cm	967993	€ 25,82

2	A1216200209 Sellout: Fender, front, Rt.	162020	N/A	2	Frnt RH fender, Repro	162820	€ 1.603,43
3	Nose panel 190SL, Reproduction, raw=unpainted	162730	€ 1.056,74	3	Nose panel 190SL, Reproduction	162030	€ 1.118,30
3	Nose panel rep.-section Rt.	162036	N/A	3	Nose panel rep.-section left	162035	€ 712,81
4	Headlight bucket 190SL, Ponton	162840	€ 148,31	4	Headlight bucket 190SL, Ponton	162040	€ 123,93
5	Parking light buckets	162033	€ 39,04	6	Inner nose panel support	162022	€ 15,33
7	Fender strut	162015	N/A	9	Jack hole cover A1216900027	169110	€ 33,50
10	Connection plate, Lt.	162050	€ 150,80	11	A1216200233 Connection plate, Rt.	162960	N/A
11	Connection plate, Rt.	162060	€ 150,80	20	Inner plate, top, front	162025	€ 192,39
20	Clip nut	188073	€ 0,49	21	Inner plate, bottom, front	162026	€ 190,32
22	Wheel arch pan, front left. in 2 pcs	162027	€ 1.401,09	22	Inner wheel arch frt. LH, not cutted	162037	€ 871,84
23	Wheel arch pan, Rt. in 2 pcs	162028	€ 1.401,09	23	Inner wheel arch frt RH, not cutted	162038	€ 909,99
24	Battery box	161340	€ 128,44	25	Brake booster tray	162070	€ 165,01
26	Reinforcement bracket 190SL, Lt.	162029	€ 291,45	26	Rubber sleeve for headlight harness	154080	€ 8,39
27	Reinforcement bracket 190SL, Rt.	162031	€ 291,45	28	Air duct frt left metal tube	183031	€ 39,39
29	Air duct frt Rt, metal tube	183032	€ 181,07	30	Door stop support Lt.	162052	€ 38,22
31	Door stop support Rt.	162062	€ 38,22	32	A-Pillar 190SL used Lt.	162110	N/A

64 Panelling (Rear)

64 Panelling (Rear)

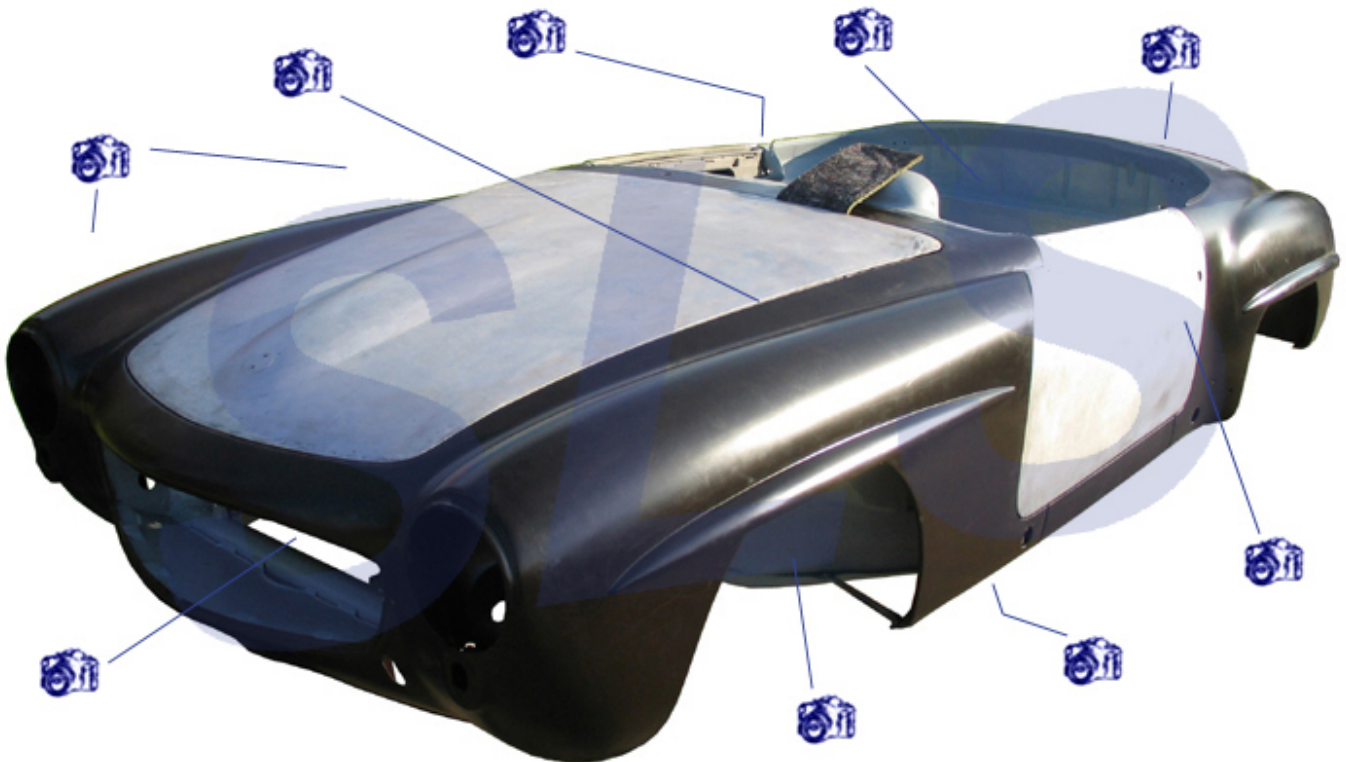


	B-pillar right. U S E D	164140	N/A		Used B-pillar 190SL, left	164130	€ 1.548,75
	W/S glasstransp. incl. box(Germany)	967999	€ 121,25	1	A1216470110 Fender 190SL, rear, Lt.	164010	N/A
1	Cardbox for large spareparts, 170x60x80cm	967993	€ 25,82	1	Rear wing LH repro	164810	€ 1.404,00
2	Rear wing RH repro	164820	€ 1.404,00	2	A1216470210 Fender 190SL, rear, Rt.	164020	N/A
3	Rear panel 190SL, Repro	164840	€ 726,96	3	Licence plate underlay, stainless steel, inner wid	988788	€ 29,75
4	Rubber grommet 10/15, taillight bucket 190SL, 107	199020	€ 1,08	4	Tail light bucket 190SL	164030	€ 82,09
5	Tail panel center support 190SL	164042	€ 122,07	6	Cover plate, front fender 190SL, L	164012	€ 18,37

7	Cover plate, front fender 190SL,	164022	€ 18,37	8	Filler panel, 1/4 to frame L/R	164015	€ 17,52
9	Center panel upper, rear	164110	€ 371,27	10	Stone guard patch panel 190SL, Lt.	164001	€ 299,12
10	Stone guard patch panel 190SL, Rt.	164002	€ 299,12	12	Rear fender, eyebrow patch panel R	164004	€ 201,74
12	Rear fender, eyebrow patch panel L	164003	€ 201,74	14	Rear fender, lower patch panel Rt.	164006	€ 299,12
14	Rear fender, lower patch panel Lt.	164005	€ 299,12	15	Jack hole cover A1216900027	169110	€ 33,50
18	"Rear fender patch panel "3/4" Links	164011	€ 632,41	18	"Rear fender patch panel "3/4" R"	164021	€ 632,41
20	Wheel arch 190SL, inner Rt. 1pce	164080	€ 271,30	20	Wheel arch 190SL, inner left. 1pce	164070	€ 271,30
21	Wheel arch 190SL, inner Lt. 2pce	164090	€ 649,99	22	Wheel arch 190SL, inner Rt. 2pce	164100	€ 649,99
24	Rear inner fender 190SL, left side	164050	€ 343,18	25	Rear inner fender 190SL, Rt.	164060	€ 343,18
26	Rear inner fender patch panel, Rt.	164061	€ 294,87	26	Rear inner fender patch panel, Lt.	164051	€ 294,87
30	3pcs. storage cover ALU	161036	€ 654,50	31	Bottom, ST storage	161037	€ 241,90
32	Top case front panel	161035	€ 415,21	35	Threaded door catch support	164055	€ 72,91
50	Rocker panel, Lt. Repro	183010	€ 179,99	50	Rocker panel, Rt. Repro	183020	€ 179,99
52	Rocker panel spacer shim 190SL	183022	€ 10,28	58	replaceable into 188835	188035	N/A
58	Clamping Bolt M6 for square bodypanel holes	188036	€ 8,45	58	Cage nut M6, no locking	188835	€ 1,90

64.i Info raw Bodyshell/Chassis w. detailed pics

64.i Info raw Bodyshell/Chassis w. detailed pics



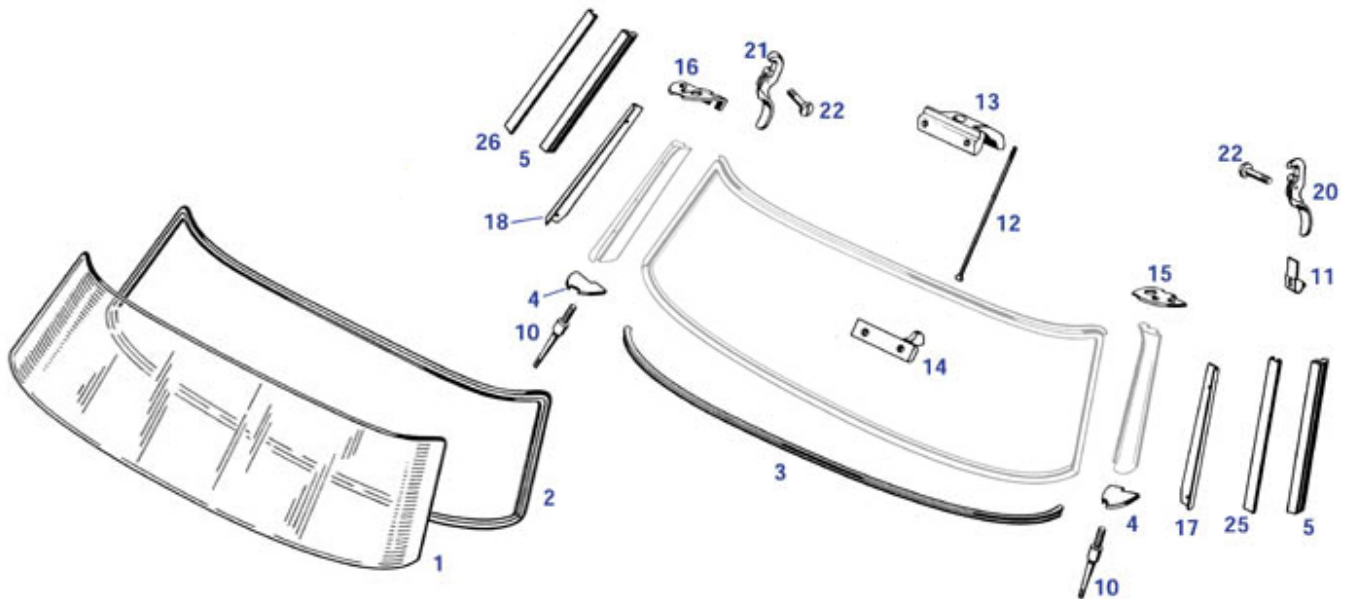
In unregelmäßigen Abständen kann eine Rohkarosserie in unserem Ersatzteilsortiment angeboten werden. Die Info-Tafel zeigt Details zu einem möglichen Lieferumfang und soll weiterhin helfende Darstellungen bereitstellen, klicken Sie dazu auf die Kamera-Symbole.

Irregularly a bodyshell is possible to appear in our sparepart selection. The info panel is showing details about the scope of delivery and furthermore it's showing pictures of it by clicking on the camera symbols.

"Picspreview"trunk"	161989	N/A	"Picspreview"bodyfitmentII"	161990	N/A	
"Picspreview"enginecompartm."	161991	N/A	"Picspreview"wheelhousings"	161992	N/A	
"Picspreview"bodyfitmentI"	161993	N/A	"Picspreview"passengercompartm."	161994	N/A	
"Picspreview"wholeview"	161995	N/A	"Picspreview"streakalignment"	161996	N/A	
"Picspreview"floor"	161997	N/A	161998	Exposetoart161000	161998	N/A

67 Windscreen

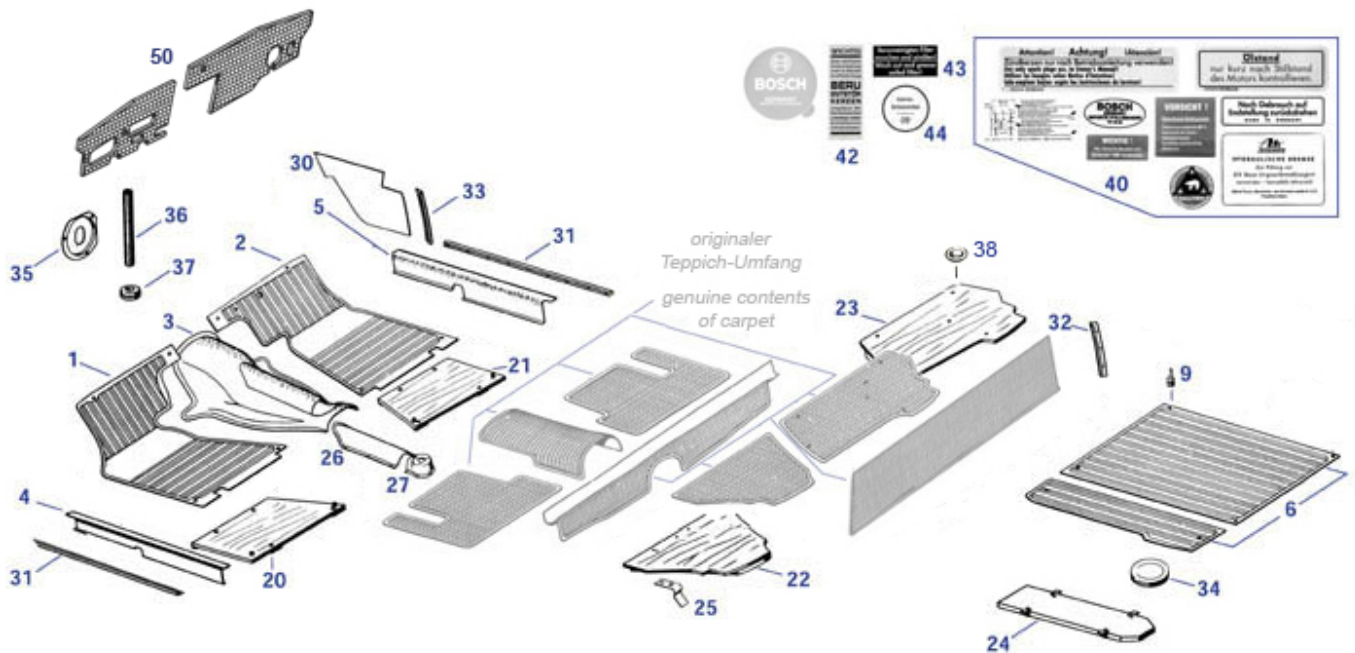
67 Windscreen



	countersunk head screw M5 X 16, high gloss chrome p	167862	€ 4,99	1	W/S glasstransp. incl. box(Germany)	967999	€ 121,25
1	Windshield 190SL, Clear	167809	€ 367,70	1	Windshield 190SL Sekurit, Clear	167009	N/A
2	190SL W121 Front Windscreen Weather Seal	167820	€ 97,21	2	Seal windshield 190SL OEM-Quality	167020	€ 143,00
4	W/S base pad, rubber, repro	167045	€ 4,22	5	Seal, door glass @ a-pillar Lt. or Rt.	172703	€ 7,08
5	Seal, door glass @ a-pillar Lt. or Rt.	172003	€ 17,85	6	Used W/S pillar Lt.	167070	€ 238,00
7	Used W/S pillar Rt.	167080	N/A	8	Windshield frame	167090	N/A
10	Tapered mounting bolt	167040	N/A	11	Leaf spring, hood lever at A-pillar	177045	€ 24,85
12	spoke, screen centre, as original	167911	€ 57,73	12	W/S center tension rod 190SL	167011	€ 46,70
13	Countersunk lens-head bolt M5, chromed	177011	€ 1,79	13	Catch for center latch	167088	€ 113,05
14	Bracket for pull rod	167077	€ 169,35	14	Chrome screw M4, e.g. wire at canvas	277052	€ 1,79
15	Countersunk bolt M5X16, industrial chrome plated	167062	€ 0,45	15	Sunk screw M5 x 16, stainless	167061	€ 2,05
15	Windshield post top plate, Lt.	167050	€ 76,60	16	Windshield post top plate, Rt.	167060	€ 76,60
17	Chrome drip moulding 190SL, Lt.	167035	€ 57,91	17	Alu-Regenleisten 190SL links	167031	N/A
17	panelling screw, phillips, chromed	268133	€ 1,32	18	Chrome drip moulding 190SL, Rt.	167034	€ 57,91
20	Quality of surface and drilling of low quality	177031	€ 40,23	20	Windshield post top hook Lt.	177030	€ 183,80
21	Windshield post top hook Rt.	177040	€ 183,80	22	Chromed screw	177035	€ 16,72
25	Chrome profile, A-pillar Lt.	172097	€ 106,41	25	Profile A-pillar Lt. unchromed	172089	€ 77,80
26	Chrome profile, A-pillar Rt.	172098	€ 106,41	26	Screw for chrome strips	269164	€ 0,13

68.a Floor mats and insulation

68.a Floor mats and insulation

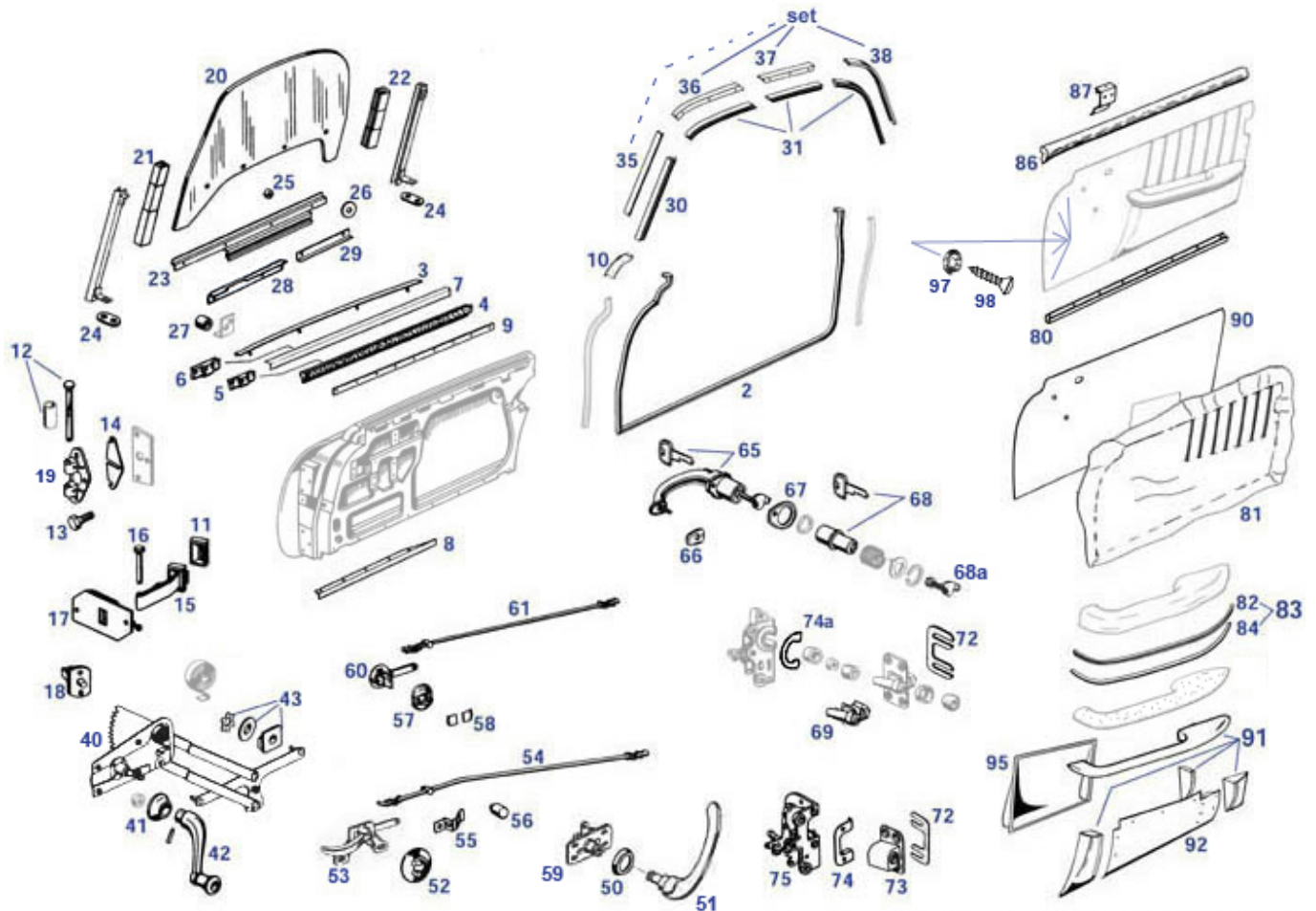


As standard, all 190SL are equipped with rubber mats in the front (drivers footwells = rail-sills, tunnel, driver's and co-drivers footmats) and in the trunk (2 mats). In the rear area of the passenger compartment, Haargarn-Boucle carpet was laid. In case of equipment renewal, it may be desired to change to complete carpet design (even including trunk), the rubber mats can then no longer be supplemented.

	mounting cap foldaway seat	168880	€ 26,62		insulation mat complete set	168671	€ 743,75
	insulation mat set firewall and tunnel	168672	€ 285,10		insulation mat set floor and rear	168673	€ 483,44
1	Front foot Lt., LHD if no carpet	168100	€ 189,81	2	Front foot mat Rt., LHD if no carpet	168200	€ 189,81
3	Rubber mat 190SL, tunnel	168050	€ 181,46	4	Rubber mat 190SL, rocker panel Left	168030	€ 109,48
5	Rubber mat 190SL, rocker panel Rt.	168040	€ 109,48	9	A0009882280, replaceable to 168305	168304	N/A
9	Screw, e.g. Headlamp to Wing	788081	€ 0,88	9	plastic knop, boot rubbermat fixture	168305	€ 9,98
20	Wooden floor, 190SL front	168110	€ 54,48	22	Wooden floor, 190SL Lt. rear	168130	€ 123,49
23	Wooden floor, 190SL Rt. rear	168140	€ 146,00	24	Set 3pieces, suitcases, leather, fits 190SL	199580	€ 3.299,99
24	Cover for Lt. spare wheel opening	161295	€ 179,99	25	Spring clamp, shelf latch	168135	€ 54,81
26	Cover above shift link @ tunnel	168160	€ 296,39	27	Housing A1216830075	168170	€ 355,80
30	Kick panel 190SL Lt. black	168090	€ 40,67	30	Kick panel 190SL Rt. black	168080	€ 40,67
30	countersunk washer fits e.g. screws 2,9	199021	€ 0,51	30	Ctr sunk screw @ 272033/044/300/400	272034	€ 1,44
31	Entrance rail, for rubber mats	172005	€ 36,59	31	Entrance rail, for carpet	172006	€ 37,00
32	Aluminum trim at door post Rt.	168620	€ 31,46	32	Screw, R/C107, R113	272724	€ 0,51
32	Aluminum trim at door post Lt.	168610	€ 31,46	33	simplified: rail RH	168085	€ 24,34
33	Screw for chrome strips	269164	€ 0,13	33	simplified: rail LH	168095	€ 24,34
34	Cover above fuel sender, rubber version	147016	€ 14,02	34	Cover above fuel sender, plastic,black	347014	€ 7,79
35	Pedal schaft gasket guide	168015	€ 65,00	36	A0009978482 1m. Rubber hose	199080	N/A
37	Rubbergrommet 8/26, booster/battery 190SL	199081	€ 3,61	38	countersunk retainer at wooden floors	168136	N/A
38	Montagehütchen Notsitz	168879	€ 39,66	40	Set: 10 labels engine compartment	179030	€ 30,64
41	Bosch label f. battery	154084	€ 9,40	42	Label: Beru spark plugs	179029	€ 4,76
43	Label: air filter box (D)	179028	€ 4,76	44	Label: 'Gefrierschutzmittel'(D)	179027	€ 4,76

72 Door

72 Door



	Chromed screw countersunk eg. door panel	172899	€ 1,26		late lock mechanism LH, no prot-lock	172853	€ 574,99
	A0007680905 Coil spring	172215	N/A		A12176606019999 Door handle Rt. w.lock-	172140	N/A
	late lock mechanism LH, w. prot-lock	172852	€ 574,99		Door striker Rt. 4.60->7.61	172078	N/A
	Door striker Lt. 4.60->7.61	172079	N/A		A12176605019999 Door handle Lt. w.lock-	172130	N/A
	late lock mechanism RH, w. prot-lock	172854	€ 574,99		late lock mechanism RH, no prot-lock	172855	€ 574,99
	late lock mechanism LH, w. prot-lock	272063	€ 572,25		late lock mechanism RH, no prot-lock	272062	€ 457,70
	Door lock escutcheon plate	176866	€ 36,62	2	Door seal left 190SL. OEM	172100	€ 200,99
2	Door seal right 190SL OEM	172200	€ 200,99	3	Door moulding, Lt. unchromed	172050	€ 406,17
3	Door moulding, Rt. unchromed	172060	€ 406,17	4	1m brush profile? Window Scraper Seal - 1157250965	872500	€ 21,19
4	2m Window brush, Repro (slim)	372500	N/A	5	Barbed clamp window felt, inner (up to 10x req)	172501	€ 0,98
6	Barbed clamp	172502	N/A	6	Barbed clamp, felt and garnish (outer) up to 10 re	172802	€ 1,88
7	Door top trim, outer, narrow, Alu	172055	€ 79,85	8	Guide rail for door seal at bottom Lt	172063	€ 69,85
8	Guide rail for door seal at bottom Rt	172064	€ 69,85	9	A1217220045 Retaining rail for felt wea	172059	N/A
10	Haltewinkel 190SL, rechts	172104	€ 113,05	10	Haltewinkel 190SL, links	172103	€ 113,05
11	Rubber buffer, door catch	172915	N/A	11	Rubber buffer, door catch	172015	€ 9,35
12	Door hinge pin w.bushing, premium quali	172916	€ 160,95	12	retaining rings for shafts 10 X 1	172116	€ 0,26
12	Door hinge pin w. bushing	172016	€ 75,27	13	Hinge bolt, hex head 14mm	172817	€ 9,98
13	Hinge bolt, hex head 13mm	172017	€ 7,25	14	0,5mm door hinge shim	172162	€ 21,78
14	2,0mm door hinge shim	172164	€ 19,97	14	1,0mm door hinge shim	172163	€ 22,47

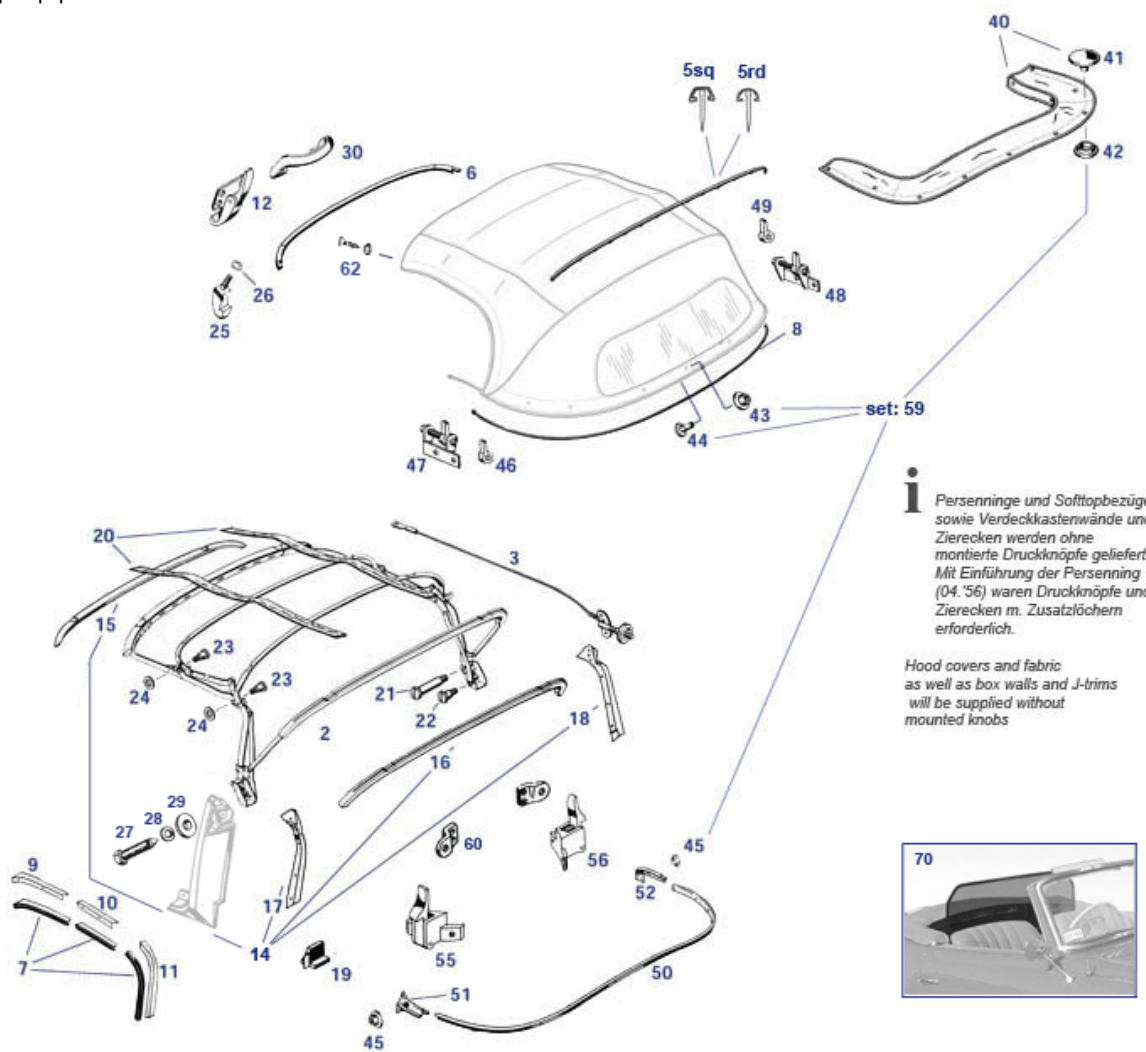
15	Door stop, rebuilt	172082	€ 172,63	16	Cotter pin 1,5 x 15	126824	€ 0,12
16	Clevis pin f. door strap	172018	€ 12,26	17	Door stop hinge Lt.	172083	€ 413,11
17	Door stop hinge Rt.	172084	€ 413,11	17	door stop LH assy see pict	172883	€ 310,00
17	door stop RH assy see pict	172884	€ 310,00	18	Rubbershim @ door switch	182121	€ 12,50
18	A0008210252 Door switch, version flat poles	182021	€ 28,98	19	Flap of door hinge	172019	€ 199,99
20	Door glass 190SL RT, Repro	172403	€ 259,00	20	Door glass 190SL LH, repro	172303	€ 259,00
20	As long as stock lasts: Door glass 190SL RT, Repro	172402	N/A	20	Door glass 190SL LH, repro	172302	€ 184,45
21	Window guide rail front right	172334	€ 166,60	21	Window guide rail, front left	172333	€ 174,99
22	Window guide rail rear left	172331	€ 166,60	22	Window guide rail rear rt.	172332	€ 174,99
22	Guide jaw, "long" (frt end of glass), fits rear, a	172832	€ 64,25	22	Guide jaw short, position rear, buy and shorten 17	172833	€ 56,70
22	Guide jaw, short,	172033	€ 44,03	23	Window lifting rail, Rt.	172034	€ 184,69
23	Window lifting rail, Lt.	172035	€ 184,69	24	Threaded plate	172037	€ 7,57
25	Rubber sleeve for door glass	272075	€ 2,50	26	Rubber washer for door glass	199007	€ 1,09
27	A0009978482 1m. Rubber hose	199080	N/A	27	stop angle	172038	€ 19,31
28	Counter rail, front or rear, Lt., black coated	172051	€ 29,89	28	Counter rail, front or rear, Rt., black coated	172052	€ 29,89
28	Counter rail, front or rear, Lt., raw alu	172951	€ 34,99	28	Counter rail, front or rear, Rt. raw alu	172952	€ 40,15
29	Rail at door, rear, black coated	172036	€ 28,60	29	Rail at door, rear, raw alu	172936	€ 37,96
30	Seal, door glass @ a-pillar Lt. or Rt.	172703	€ 7,08	30	Seal, door glass @ a-pillar Lt. or Rt.	172003	€ 17,85
31	Seal, door glass 190SL repro left	172701	€ 16,66	31	Seal door glass, 190SL repro right	172702	€ 16,66
31	Seal door glass right 190SL OEM	172002	€ 44,15	31	Seal, door glass left 190SL OEM	172001	€ 44,15
35	Profile A-pillar Lt. unchromed	172089	€ 77,80	35	Profile A-pillar Rt. unchromed	172088	€ 77,80
35	Chrome profile, A-pillar Rt.	172098	€ 106,41	35	Chrome profile, A-pillar Lt.	172097	€ 106,41
36	Front Left Chrome Profile at the Softtop	172095	€ 199,50	36	Chrome profile Rt. @ softtop f.	172094	€ 199,50
37	Chrome profile Rt. @ softtop m.	172092	€ 164,48	37	Chrome profile Lt. @ softtop m.	172093	€ 155,00
38	Chrome profile Rt. @ softtop r.	172090	€ 285,99	38	Chrome profile Lt. @ softtop r.	172091	€ 285,99
40	Window regulator 190SL, Lt., Repro	172210	€ 827,05	40	Window regulator 190SL, Rt., Repro	172220	€ 827,05
41	Escutcheon assembly, with spring	176002	€ 67,50	42	Window crank handle,(with chrome knob)	176081	€ 213,20
42	A1897680202 Crank handle, (new with pla	176080	N/A	43	assy see pict: same as MB assy 123	272752	€ 10,88
50	Escutcheon > 7500411	176045	€ 65,99	51	N/A: Chrome lever, early door linkage	176035	N/A
52	Escutcheon, inner door handle	176855	€ 21,00	52	Escutcheon, inner door handle	176055	€ 8,39
53	Door open ctrl handle RT from '57	176860	€ 238,00	53	Door open ctrl handle RT from '57	176060	€ 236,80
53	Door open ctrl handle LT from '57	176050	€ 236,80	53	Door open ctrl handle LT from '57	176850	€ 239,30
54	Pull rod late Rt.	172045	€ 63,90	54	Pull rod early Lt.	172042	€ 57,94
54	Pull rod late Lt.	172044	€ 57,94	54	Pull rod early Rt.	172043	€ 57,94
55	clips, may replace 198004	298004	€ 1,13	56	Rubber rod guide 190SL, R113, 111Cpe/Cab	298705	€ 5,95
56	Rubber rod guide 190SL, R113, 111Cpe/Cab	298005	€ 5,55	57	Door lock escutcheon plate	176066	€ 78,53
58	Chrome cover @ lock-lever	172868	€ 15,10	58	A1807230524 Chrom-Plättchen f.Türsicherung Origina	172968	N/A
59	Mech actuator, early door opener	176036	€ 389,00	60	Locking handle assy. inner door ->'67 R	172194	€ 109,78
60	Locking handle assy, inner door ->'67 L	172193	€ 109,78	60	Chrome handle for int.locking repair	172195	€ 59,99
61	Pull rod for inside door lock, Rt. without lock/knob: door handle RH	172040	€ 59,33	61	Pull rod for inside door lock, Lt. without Lock/knob: LH door handle	172041	€ 59,33
65	A1217660501 Door handle Lt.	172840	€ 398,65	65	A1217660601 Door handle Rt.	172830	€ 398,65
65	7500412>	172010	N/A	65	7500412>	172020	N/A
66	Rubberpad, handle small pce, Lt. or Rt.	172021	€ 5,59	67	Rubberpad, Handle Rt.	172022	€ 8,62
67	Rubberpad, Handle Lt.	172023	€ 8,62	68	Coil spring, door lock cylinders	172124	€ 29,75
68	Door lock cylinder pair ->02.'57	172625	€ 416,50	68	Door lock cylinder pair ->02.'57	172925	€ 474,81
68	Mittellagen-Version: Schlüssel nur in senkrechter	172926	€ 456,95	68	Lock cyl. set 4 pcs, 1 key, 190SL Gen.2	172928	€ 833,00
68	Mittellagen-Version: Schlüssel nur in senkrechter	172626	€ 416,50	68	Ponton+190SL from ca. 57, (190SL from 7500412)	172027	€ 118,32
68	Door lock cylinder >7500411 180°funct.	172125	N/A	68	Lock cylinder pair late, same key 03.57	172826	€ 469,13
68	Lock cyl. ->'57 (180°) cplt, Repro	172825	€ 447,37	68	Contoured ring, fits lock turning spring	172129	€ 21,42
68	Ponton / 190SL up ca. 57, (190SL	172727	€ 73,78	68	Ponton+190SL from ca. 57, (190SL	172827	€ 73,78

	up to 7500411)				from 7500412)		
68	Lock cyl.set. 4 pce, 1 key, 190SL Gen.4	172929	€ 865,00	69	Door striker, 190SL->016980 Lt.	172071	€ 68,72
69	Door striker, 190SL->016980 Rt.	172070	€ 68,70	72	Distancer, milled, ca. 1,15mm	172073	€ 32,00
72	Distancer, milled, ca. 1,35mm	172074	€ 35,05	72	Distancer, milled, ca. 1,55mm	172075	€ 40,11
73	Door catch Lt. R113 07.61->'67 3-hole	272055	€ 91,45	73	Door catch RT. 07.61->'67 3-hole	272022	€ 91,25
73	Door striker Lt. 4.60->7.61 USED	172081	N/A	73	Door striker Rt. 4.60->7.61 USED	172080	N/A
74	Countersunk screw M4 x 8 chrome eg lock esc	299042	€ 0,71	74	Chr. plate, door lock, left	172029	€ 65,45
74	Chr. plate, door lock, Rt.	172028	€ 65,45	74	Covering, locks years '60-'61	472029	€ 59,00
74	Escutcheon, round lock	172076	€ 18,15	75	lock mechanism RH, no prot-lock	272051	€ 478,39
75	lock mechanism LH, w. prot-lock	272050	€ 478,39	75	lock mechanism LH, no prot-lock	172049	€ 459,99
75	lock mechanism RH, no prot-lock	172048	€ 399,45	80	Door panel, lower rail	172007	€ 32,13
81	Leather, door covering Rt. e.g.black	193180	€ 234,43	81	Leather, door covering Lt. e.g.black	193170	€ 234,43
82	Alu profile, arm rest trim	172008	€ 19,99	84	Insert stripe, for door pocket decoration moulding	172004	€ 6,65
85	Foam insert, armrest Rt.	172012	N/A	85	Foam insert, armrest Lt.	172011	N/A
86	Wooden rail above door Rt.	172120	€ 114,86	86	Wooden rail above door Lt.	172110	€ 114,86
87	Barbed clamp at wood trim	172115	€ 23,23	90	Door panel,raw board,Gen.II(ca,57->),L/R	172133	€ 54,25
90	Door panel,raw board, Gen. I(ca.->57)L/	172128	€ 50,21	91	4pcs. Wood kit, box+armrest Rt.	172134	€ 116,38
91	4pcs. Wood kit, box+armrest Lt.	172135	€ 116,38	92	Box panel, door Lt.	172137	€ 57,12
92	Box panel, door Rt.	172136	€ 56,88	95	Hidden mould, door panel Rt.	172138	€ 105,90
95	Hidden mould, door panel Lt.	172139	€ 105,90	97	escutcheon e.g. screw 277052, ..	277053	€ 3,42
98	flat headed screw 4x20	267013	€ 0,38	98	Set of chrome screws 395 pcs	191111	€ 789,99
98	Set of chrome screws 419 pcs for bucket seat car	191112	€ 749,99	98	Chromed screw countersunk eg.door panel	172199	€ 0,83

77, 79 Softtop, Hardtop

77.b Softtop Equipmet

77.b Softtop Equipmet



i Persenninge und Softtopbezüge sowie Verdeckkastenwände und Zierrücken werden ohne montierte Druckknöpfe geliefert. Mit Einführung der Persenning (04.'56) waren Druckknöpfe und Zierrücken m. Zusatzlöchern erforderlich.

Hood covers and fabric as well as box walls and J-trims will be supplied without mounted knobs

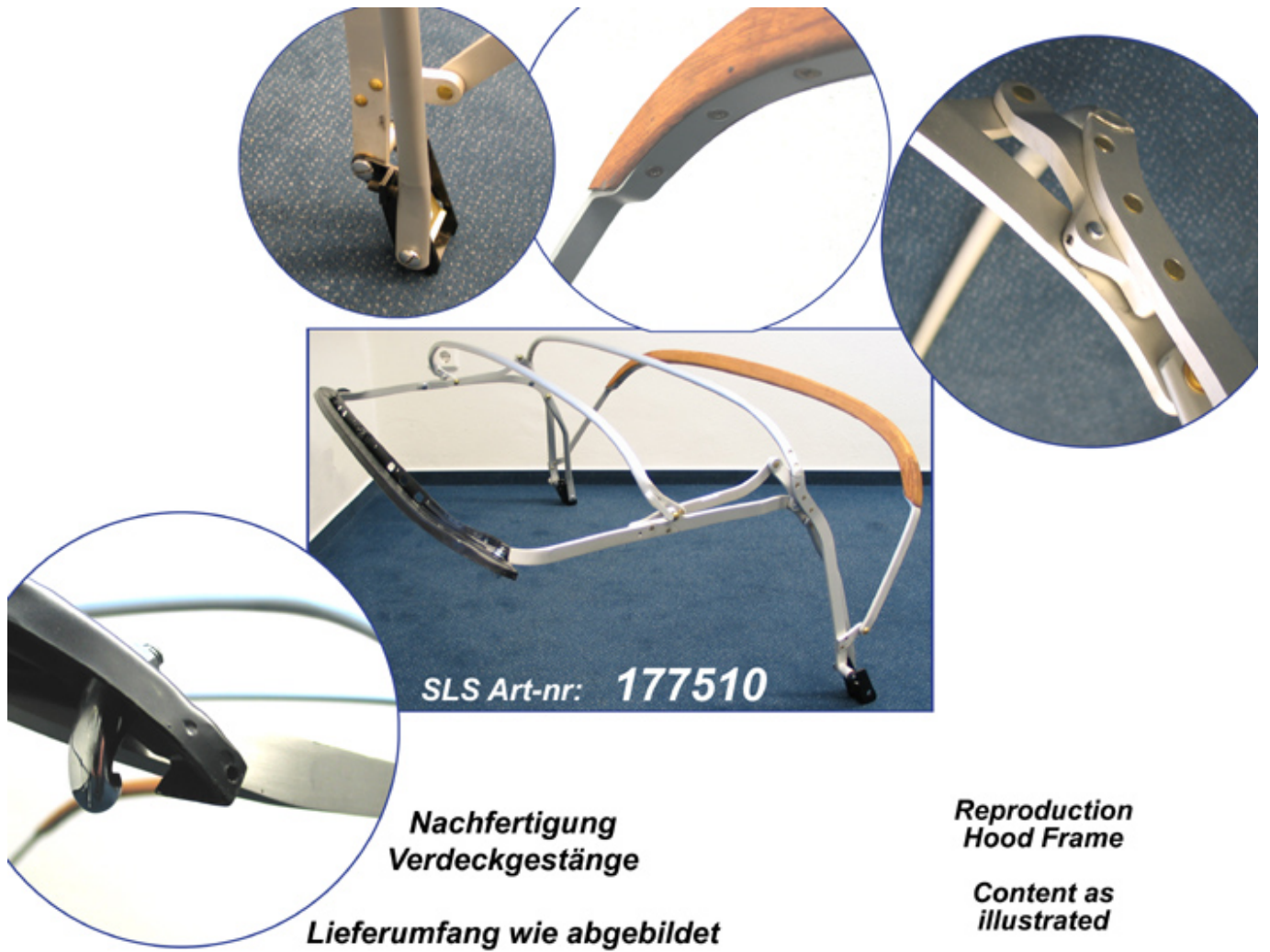


	Shoulder bolt S/T support, chromed	198721	€ 18,45		Chrome screw M4, e.g. wire at canvas	277852	€ 2,36
	Frame belts black, for softtop	176801	€ 39,57		W/S glasstransp. incl. box(Germany)	967999	€ 121,25
2	convertible top frame, 190SL REPRO	177510	€ 6.819,79	3	rope, S/T tensioner RT Ref.-No: A1217700265	177962	€ 89,99
3	rope, S/T tensioner LT Ref.-No: A1217700165	177961	€ 89,99	3	Rope w.Tensioner, Set Lt.+Rt. incl. nut	177066	€ 222,65
3	Wire, tensioner, see pict	177065	€ 24,89	5	Chrome bow, rounded profile, good repro	177019	€ 215,65
5	A1217790164 Chrome bow,replaced orig:sq	177020	N/A	6	Rubber seal, roof to windshield frame OEM	177090	€ 186,00
7	Seal door glass, 190SL repro right	172702	€ 16,66	7	Seal, door glass 190SL repro left	172701	€ 16,66
7	Seal door glass right 190SL OEM	172002	€ 44,15	7	Seal, door glass left 190SL OEM	172001	€ 44,15
8	Tension cable wire, Conv. top to body	177075	€ 38,85	9	Front Left Chrome Profile at the Softtop	172095	€ 199,50
9	Chrome profile Rt. @ softtop f.	172094	€ 199,50	9	Chrome profile Rt. @ softtop f.	172894	€ 101,52
9	Chrome profile Lt. @ softtop f.	172895	€ 101,52	10	Chrome profile Lt. @ softtop m.	172093	€ 155,00
10	Chrome profile Rt. @ softtop m.	172092	€ 164,48	10	Chrome profile Rt. @ softtop m.	172892	€ 113,05
10	Chrome profile Lt. @ softtop m.	172893	€ 113,05	11	Chrome profile Lt. @ softtop r.	172891	€ 92,86
11	Chrome profile Rt. @ softtop r.	172090	€ 285,99	11	Chrome profile Lt. @ softtop r.	172091	€ 285,99
11	Chrome profile Rt. @ softtop r.	172890	€ 92,86	12	Top latch, front, center	177010	€ 355,45
12	Countersunk lens-head bolt M5, chromed	177011	€ 1,79	12	Verschluss vo.mitte	177810	€ 248,21

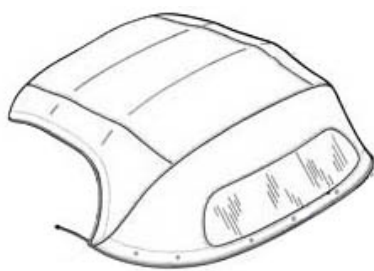
15	Verdeckrahmen 190SL, vorn quer	177110	€ 351,55	15	Wood bow 190SL, front hood frame	177038	€ 272,69
16	Wood bow 190SL, rear	177037	€ 212,65	17	Wood side bow 190SL, Left	177041	€ 195,15
17	Gummiprofil f. Verdecksäule mtr.	177036	N/A	18	Wood side bow 190SL, Rt.	177042	€ 195,15
19	Rubber seal, at left side wood	177023	€ 18,45	19	Rubber seal, at side wood, Rt.	177022	€ 18,45
20	Frame belts beige, for softtop	176802	€ 54,74	20	1x1,35mtr.Frame canvas, black w.rubber	176955	N/A
20	Frame belts beige, for softtop	176702	€ 39,57	20	1x1,35mtr.Frame canvas, beige w.rubber	176950	€ 65,45
20	1x1,35mtr.Frame canvas, beige w.rubber	176750	€ 84,00	20	1x1,50mtr.Frame canvas, black w.rubber	176755	€ 54,74
20	Frame belts black, for softtop	176701	€ 39,57	20	Frame canvas beige + foam	176970	€ 65,45
20	Frame canvas black + foam	176971	€ 65,09	21	Shoulder bolt, S/T support, stainless	198821	€ 28,50
21	Shoulder bolt S/T support, chromed	198021	€ 53,56	21	Set 8 frame link bolts w/o rivet bolts	177280	€ 134,65
22	Shoulder bolt, short version, chromed	198022	€ 13,23	22	Shoulder bolt, short, stainless steel	198822	€ 27,49
23	Shoulder bolt, long version, chromed	198023	€ 19,99	23	Rest: Shoulder bolt, chromed, long	198823	N/A
24	A1139901040 Washer, brass	277013	N/A	25	Front J hook @ corner of C/top	177025	€ 162,74
26	A4259845056 Washer	177026	N/A	27	Chrome bolt hex.w.peak, S/T-mount	177247	€ 31,89
28	Spirng washer, chromed	177248	€ 6,19	29	Shim, chromed, for M10 bolts	177249	€ 4,99
30	Chrome screw, handle at wood front bow	177018	€ 4,11	30	chrome handle at softtop frame	177015	€ 159,25
30	Alu handle at S/T frame	177814	€ 88,95	30	Alu handel @ softtop frame	177014	€ 52,28
40	Wind mesh "Weyer" adaptable to 190SL	186805	€ 190,40	40	Boot, leather	177200	€ 535,50
41	Cap part of snap	177005	€ 1,79	42	Spring eye part of snap	177006	€ 0,39
44	Rivet part of snap	177004	€ 0,27	45	Ball to screw, part of snap	177003	€ 0,43
45	slotted raised countersunk head screw M4 X 8	198025	€ 0,35	46	Tensioner link Lt.	177071	€ 47,68
47	Tensioner LHD, steel lever	177870	€ 122,75	47	Tensioner at body, Lt.	177070	€ 74,41
48	Tensioner at body, Rt.	177080	€ 74,41	48	Tensioner rhd, steel lever	177880	€ 122,75
49	Tensioner link Rt.	177081	€ 47,68	50	Cardbox for large spareparts, 170x60x80cm	967993	€ 25,82
50	J-Frame, Conv. top attachment to body	177900	€ 489,84	51	End rail cap, 3-hole, brass chromed (left)	177850	€ 119,00
51	Screw @ front grille	188071	€ 1,90	51	End rail cap, 1 hole->6501781	177051	€ 75,20
51	End rail cap, 3 holes 6501781>	177050	€ 129,90	52	End rail cap, 3-hole, brass chromed	177860	€ 119,00
52	End rail cap, 1 hole->6501781	177061	€ 109,00	52	End rail cap, 3 holes 6501781>	177060	€ 129,90
55	Stow position hook, Lt.	177033	€ 249,90	56	Stow position hook, Rt.	177044	€ 249,90
56	DIN 966 (prev.7988) M5x12, chromed Phillips bolt	177048	€ 2,20	60	Support softtop tensiomer rope LT	177058	€ 169,99
60	Support Softtop rope tensioner RT	177068	€ 169,99	62	Chrome screw M4, e.g. wire at canvas	277052	€ 1,79
62	escutcheon e.g. screw 277052, ..	277053	€ 3,42	70	Wind mesh "Weyer" adaptable to 190SL	186807	€ 333,08

77.c Info Content Hood Frame

77.c Info Content Hood Frame



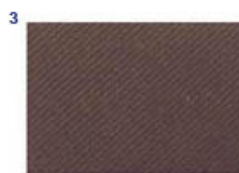
77.a Softtop
77.a Softtop



aussen schwarz



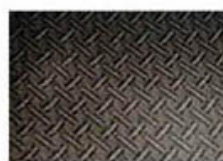
aussen dunkelblau



aussen dunkelbraun



innen beige



innen schwarz

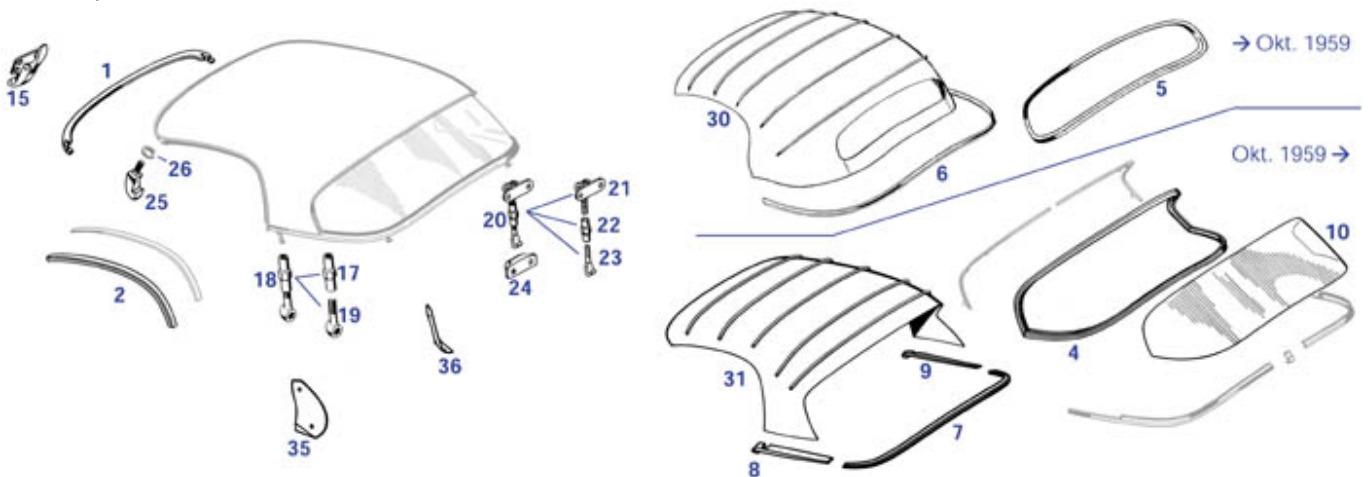


	Frame belts beige, for softtop	176802	€ 54,74		INFO - NO BASKET BUTTON: For 176975	N/A
	Frame belts black, for softtop	176801	€ 39,57	1	INFO - NO BASKET BUTTON: For 176501	€ 1.099,99
1	INFO - NO BASKET BUTTON: For 176500		€ 1.050,00	1	INFO - NO BASKET BUTTON: For 176301	€ 799,99
1	INFO - NO BASKET BUTTON: For 176300		N/A	2	INFO - NO BASKET BUTTON: For 176320	€ 748,99
2	INFO - NO BASKET BUTTON: For 176321		€ 553,35	2	INFO - NO BASKET BUTTON: For 176521	€ 999,99
2	INFO - NO BASKET BUTTON: For 176520		€ 999,99	3	INFO - NO BASKET BUTTON: For 176531	€ 999,99
3	INFO - NO BASKET BUTTON: For 176530		€ 999,99	3	INFO - NO BASKET BUTTON: For 176331	€ 553,35
3	INFO - NO BASKET BUTTON: For 176330		€ 553,35	4	INFO - NO BASKET BUTTON: For 176381	€ 628,32
4	INFO - NO BASKET BUTTON: For 176581		€ 899,99	4	Verdeckbezug 190SL 176984	€ 1.189,99
4	INFO - NO BASKET BUTTON: For 176651		€ 1.189,99	4	INFO - NO BASKET BUTTON: For 176641	€ 1.255,45
4	INFO - NO BASKET BUTTON: For 176640		€ 1.255,45	4	INFO - NO BASKET BUTTON: For 176631	€ 899,99
4	INFO - NO BASKET BUTTON: For 176591		€ 899,99	4	INFO - NO BASKET BUTTON: For 176590	€ 899,99
4	INFO - NO BASKET BUTTON: For 176571		€ 899,99	4	INFO - NO BASKET BUTTON: For 176390	€ 727,44
4	INFO - NO BASKET BUTTON: For 176561		€ 809,20	4	INFO - NO BASKET BUTTON: For 176551	€ 1.130,50
4	INFO - NO BASKET BUTTON: For 176350		N/A	4	INFO - NO BASKET BUTTON: For 176351	N/A

4	the installation of t INFO - NO BASKET BUTTON: For 176361	€ 628,32	4	the installation of t INFO - NO BASKET BUTTON: For 176371	€ 628,32
4	the installation of t INFO - NO BASKET BUTTON: For 176441	N/A	4	the installation of t INFO - NO BASKET BUTTON: For 176391	€ 628,32

79 Hardtop

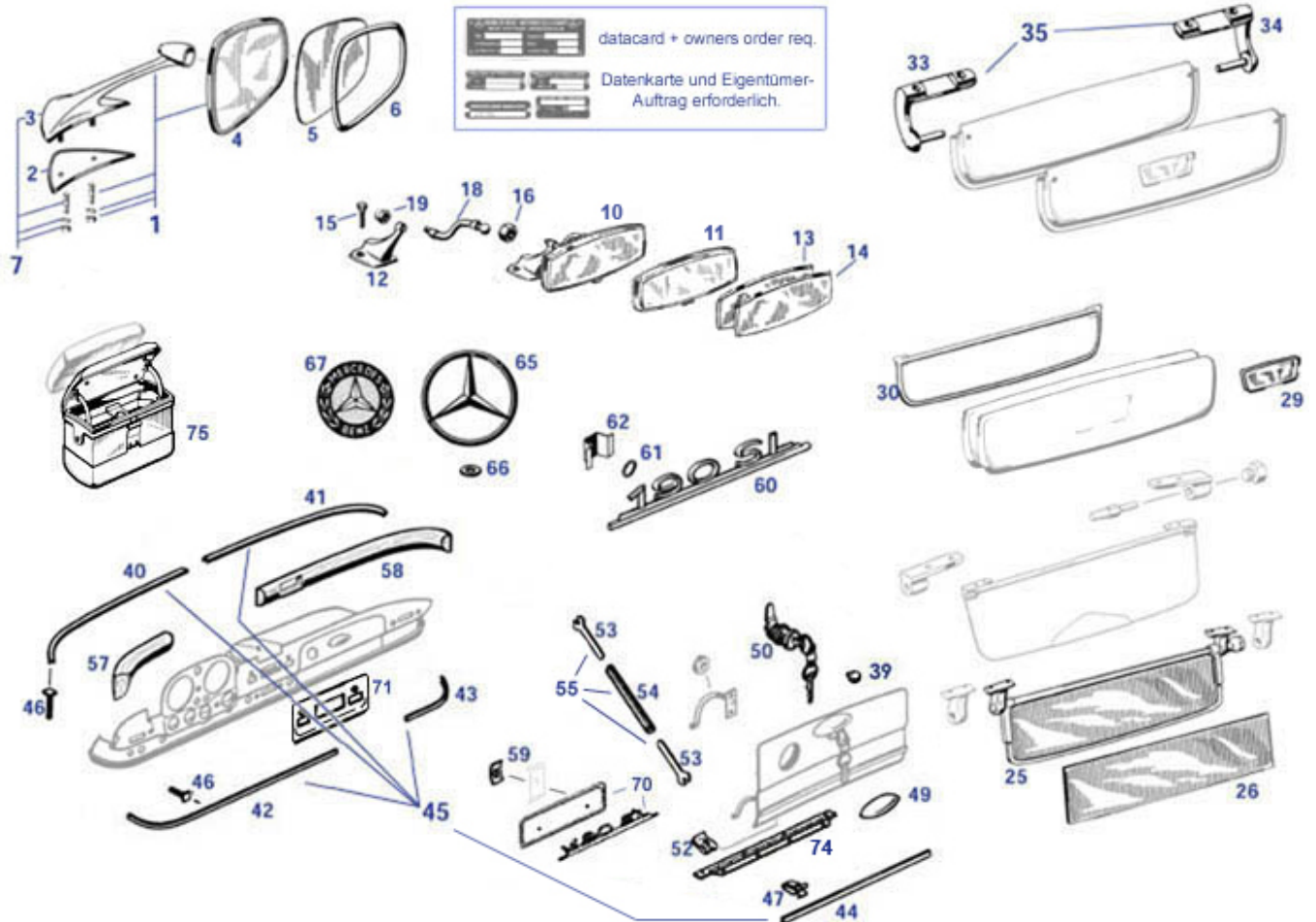
79 Hardtop



	Bolt for coupe hardtop sunvisor	181014	€ 13,09	1	Rubber seal, roof to windshield frame OEM	177090	€ 186,00
1	Hardtop to windshield frame seal	169088	N/A	2	Seal, door glass left 190SL OEM	172001	€ 44,15
2	Seal door glass right 190SL OEM	172002	€ 44,15	2	Seal door glass, 190SL repro right	172702	€ 16,66
2	Seal, door glass 190SL repro left	172701	€ 16,66	4	HardTop-Seal for Large rear window	179001	€ 99,95
5	Seal Hardtop (small) rear window OEM-Quality	179002	€ 90,67	7	Hardtop-Seal (large window)	179025	€ 102,99
7	Hardtop-Seal (large window)	179825	€ 117,22	8	Rubber LH, late hardtop @ body	179010	€ 39,00
9	Rubber RH, late hardtop @ body	179020	€ 39,00	10	A1217950010 Hardtop window, late	179100	N/A
15	Verschluss vo.mitte	177810	€ 248,21	15	Top latch, front, center	177010	€ 355,45
15	Countersunk lens-head bolt M5, chromed	177011	€ 1,79	17	Threaded tube, fits lock LH or RH	177089	€ 44,29
17	Threaded tube, fits lock LH or RH	177078	€ 48,79	18	H/Top turnbuckle at door post Rt.	177088	€ 324,99
18	H/Top turnbuckle at door post Lt.	177077	€ 324,99	18	H/Top turnbuckle at door post Rt.	177877	€ 226,58
19	Banjo bolt, fits lock LH	177076	€ 284,99	19	Banjo bolt, fits lock, RH	177087	€ 284,99
20	H/Top turnbuckle, rear	169070	€ 274,54	21	Lock bracket rear	169071	€ 133,99
22	Threaded tube, rear lock	169072	€ 49,99	23	Hook, rear lock	169073	€ 237,99
24	Catch for rear turn buckle	169080	€ 88,95	25	Front J hook @ corner of C/top	177025	€ 162,74
26	A4259845056 Washer	177026	N/A	30	Headliner, cotton grey, small window	179004	N/A
30	Headliner, cotton creme, small window	179003	N/A	30	Headliner, cotton creme, small window	179803	€ 299,99
31	Headliner, cotton creme, large window	179005	N/A	31	Headliner, cotton grey, large window	179006	N/A
31	Headliner, vinyl	179007	N/A	35	Cover at door post left, USED	169130	€ 150,18

81 Interior Equipment

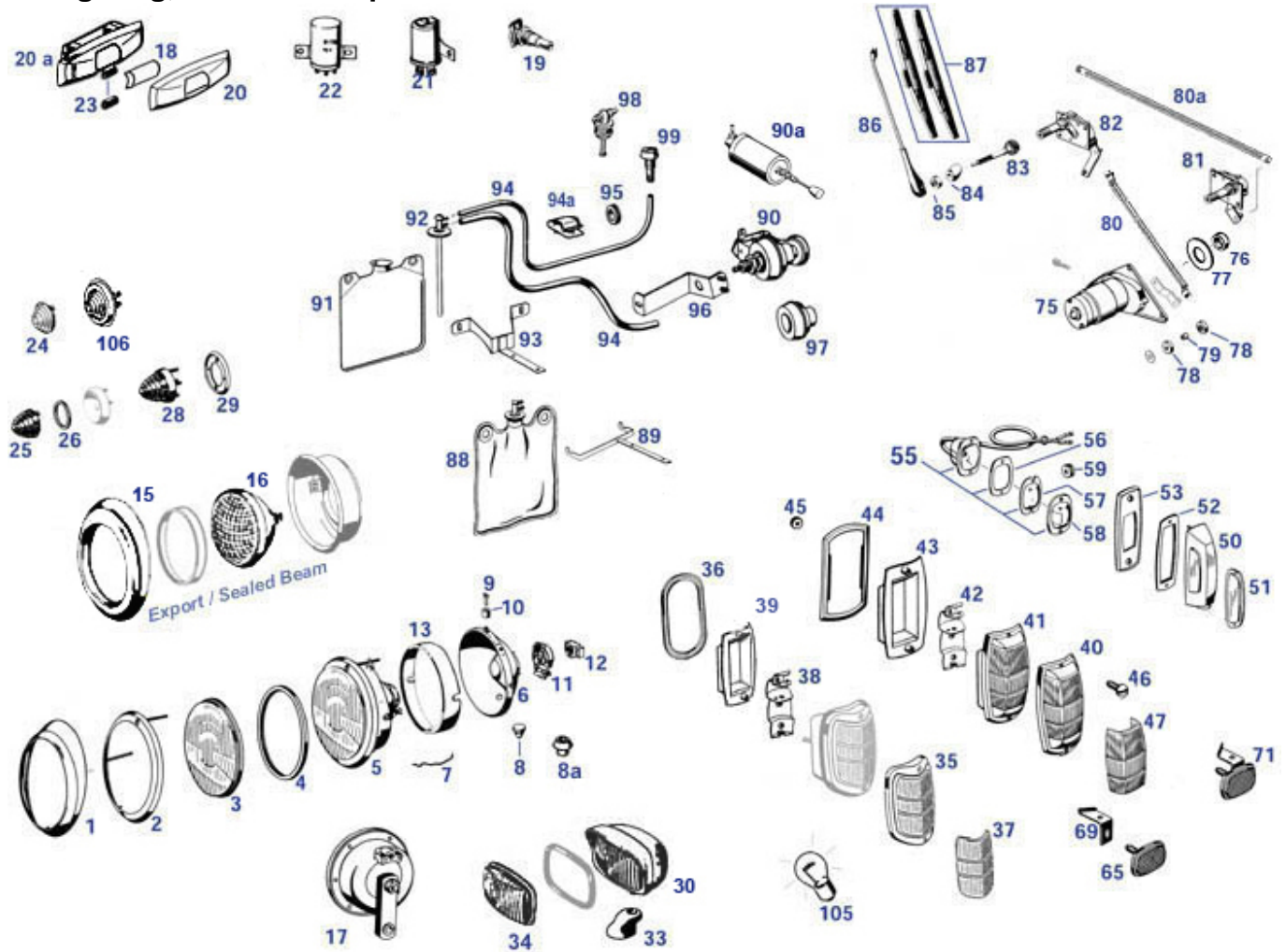
81 Interior Equipment



	Set of chrome screws 419 pcs for bucket seat car	191112	€ 749,99	Set of chrome screws 395 pcs	191111	€ 789,99
	Further infos on request	199997	N/A	N/A! Inside mirr.glass, transp. Repro "4mm"	181839	N/A
	N/A! Inside mirr. glass, silverd, Repro-"4mm"	181838	N/A	thread pin, inner hex, e.g. mirror base	181024	€ 0,76
2	Outside mirror underlay, Lt.	181011	€ 10,29	2 Outside mirror underlay, Rt.	181021	€ 10,50
3	Outside mirror base 190SL, Rt.	181019	€ 143,68	3 Outside mirror base 190SL, Lt.	181009	€ 143,99
4	Mirror head ->67, Repro, tinted	181025	€ 43,64	4 Mirror head ->67, Repro, clear	181125	€ 47,10
5	Replacement glass, tinted	181026	€ 23,80	6 A0008110165 Replacement nylon bezel	181027	€ 14,70
11	Inside mirror, head only	181045	€ 738,99	12 Inside mirror, base (Repro, chromed)	181037	€ 218,95
13	Inside mirr. glass, silverd, Repro-2,9mm	181738	€ 94,95	14 Inside mirror glass, clear transp.	181039	N/A
14	Inside mirror glass, clear transp., D=2,9mm	181739	€ 53,49	15 Hex Hd. bolt	181036	€ 19,99
16	Nut, head to goose neck	181046	€ 16,39	18 Inside mirror goose neck	181049	€ 111,50
18	Inside mirror goose neck	181849	€ 196,35	19 Acorn nut on end of goose neck at base	181048	€ 10,70
25	Sun visor, 190SL ->03.58, Lt.	181007	€ 485,33	25 Sun visor, 190SL ->03.58, Rt.	181008	€ 485,33
26	brown lens insert, Roadster visor	181056	€ 29,99	26 Visor, plexiglass insert	181055	€ 28,12
29	Mirror glass, visor late	181004	€ 18,10	30 Metal frame, 190SL late visor	181013	€ 64,36
33	Bracket, sunvisor 8mm Lt.	181003	€ 110,93	33 Senkschraube LiKo VA, 4,2 x 16	999932	€ 0,56
34	Counter sunk screw 4,2x14, industrial chromed	799932	€ 0,58	34 Bracket, sunvisor 8mm Rt.	181002	€ 110,93
39	Rubber buffer 5mm,121,113,10	298066	€ 0,89	39 rubber pad glove box	199027	€ 7,98
39	Rubber plug, e.g. drain holes ca. 8mm	198005	€ 1,55	40 chrome moulding, dashboard Lt. on top	168061	€ 165,40

41	Chrome moulding, dashboard Rt. on top	168060	€ 165,40	42	chrome moulding, dashboard Lt. bottom	168063	€ 109,90
43	chrome moulding, dashboard Rt. bottom	168064	€ 109,90	44	chrome moulding, Glove box lid	168062	€ 70,39
46	T-Head screw @ dashboard moulding	168065	€ 3,69	47	Clip, for glovebox trim	168066	€ 4,28
49	Glove box handle	168078	€ 114,00	49	Bolt M3 e.g. Glove box handle	168079	€ 0,82
50	Lock cyl. set 4 pcs, 1 key, 190SL Gen.2	172928	€ 833,00	50	Lock cyl.set. 4 pce, 1 key, 190SL Gen.4	172929	€ 865,00
50	Glove box lock, Repro	168980	€ 102,72	52	Spring clip nut, 4,2, e.g. wing 107,..	299028	€ 0,33
53	Fork, glovebox lid	168070	€ 8,09	54	Glove box closure spring	168071	€ 10,82
57	Wooden dashboard moulding Lt.	168810	€ 44,89	58	Wooden dashboard moulding RH-side (LHD)	168820	€ 221,45
59	A0009903856 Nut	199006	N/A	60	Type designation 190SL Repro, @ boot lid	181840	€ 61,88
60	A1218170215 '190SL' Type on trunk lid	181040	N/A	61	Seal ring @ type designation	181041	€ 1,64
62	Bolt M3 for sign	181043	€ 0,13	62	Mounting Bracket	181042	€ 10,19
65	A1217500079 Trunk star	175010	N/A	66	Rubber washer	175012	€ 1,11
67	A40198817001640 star emblem	181050	N/A	70	"Set "190SL" badges and dashcover (Radi	181128	N/A
71	rep. section dashboard / radio	168181	N/A	71	Retro-Radio "Hermosa"	299940	N/A
71	Speaker box 190SL, wood, leather, black	168017	€ 519,99	74	Hinge Strip glove box	168118	€ 172,55
75	Ashtray, version chrome cap	181000	€ 399,90	75	"Ashtray "wood on cap",to be upholstere	180999	€ 424,00

82 Lighting, W.-screen-wipe & wash



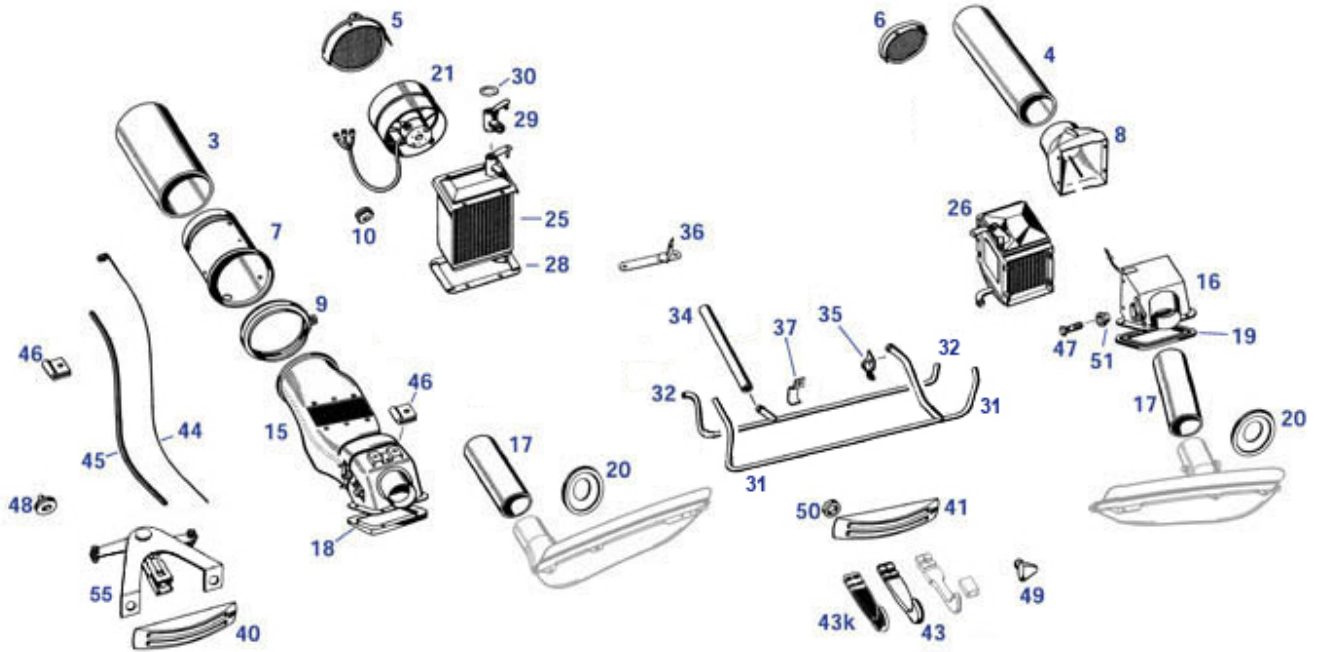
	Bulb 12V 15W BA15S, halo modernized	399083	€ 3,69		Door switch, Reproduction	182821	€ 26,00
	overhauled OEM headlight switch W121	154133	€ 977,61		Clearance light switch	154042	€ 295,00
	Bulb 12V / 5W, torpedo, total length 38	299098	€ 1,54		Emergency flasher 1969->, no knob incl.	282034	N/A
	Bulb holder ->1956 type 5 bulbs	182103	€ 646,17		Light unit 7"LHD,e.g.US headlamp,w/o rb	282815	N/A
	Lamp unit, Bilux LHD, no rbr cap, Bosch	282015	N/A	1	Headlight chrome surround, repro, not USA	182036	€ 107,10
2	Headlight inner rim, EURO	182032	€ 48,79	3	A1218260190 Headlight lens RHD	182901	N/A
3	Lens headlight, Euro RH-traffic, Bosch	182900	€ 113,05	4	Seal ring, Euro headlight	182033	€ 10,20
5	for Bilux, comes without bulbs, for RH Traffic	182030	€ 474,99	6	Reflector, EURO Headlight	182800	€ 43,21
6	Bulb, 40/45W, Bilux	299092	€ 3,99	6	A0008263681 Headlight reflector LHD lat	182802	N/A
6	Bulb, parking light, 12V/4W, BA9S	299099	€ 1,39	7	Spring retainer wire	182831	€ 2,50
7	Spring retainer wire	182031	N/A	8	Rubbergrommet, headlight bucket	182857	€ 16,78
8	Rubber buffer 5mm,121,113,10	298066	€ 0,89	9	Bracket, headlight mirror adjuster	182805	€ 7,14
10	Rubber bushing at reflector	182807	€ 2,38	11	Lamp holder	282072	N/A
12	Connector Bilux / H4, spring wire clip	182841	€ 4,25	12	Socket, fits Bilux-bulb, classic style	182041	€ 7,20
13	Bracket ring, headlight	182950	€ 82,90	15	Headlight chrome ring, US-version	182135	N/A
16	A0008266699 Seal beam unit	182130	N/A	17	1 pair retro horns, chrome, imported	454013	€ 49,98
17	Horn (375Hz) , Bosch	254013	N/A	17	Horn (500Hz), Bosch	254014	N/A
18	Lens, interior light	182066	€ 12,50	19	A0005450525 Plug socket f. ext.lamp	154067	N/A

20	Dashboard lamp, complete	182128	€ 384,00	20	Cover, map light	182065	€ 132,99
21	Housing, fits up to 5 crimp-shoes	554070	€ 0,71	21	universal flasher relay 12V 4x21W Bosch, flat pole	582070	€ 42,95
21	Turn signal transmitter (metal), Bosch	182001	€ 67,29	22	Pulse generator, flat connectors, plastic housg, H	154018	€ 40,10
22	Sticker "Blinkgeber senkrecht einbauen"	179026	€ 5,70	22	NLA: Turn signal transmitter (metal), Lucas	182701	N/A
23	Plastic knob for light chrome cap	182067	€ 36,89	24	Indicator lens small, clear	182809	€ 14,28
24	Lens, small(->58), clear	182008	€ 31,50	24	Lens, early indicator, amber	182108	€ 31,00
24	also see 182108	182808	€ 28,13	25	Plastic, twist on-off, clear lens	182023	€ 39,66
25	dir lamp lens late (=large), clear, reinforced	182823	€ 41,50	25	Dir lamp lens,amber,late(=large),reinf.	182822	€ 41,50
25	European, yellow lens	182022	€ 38,90	26	Seal,dir.lightlens	182024	€ 5,20
28	Bulb 12V / 21W direction indicator	299085	€ 1,25	28	Bulb 12V/18W direction indicator	299087	€ 3,33
28	Turn signal assy, lens, glass	182020	€ 114,09	28	bulb (2 filament), amber, 5/21W	199094	€ 1,90
28	Indicator+park light '58-> white lens	182025	€ 119,44	28	Bulb, 5/18 watts (2 filament), 12V, clear	499090	€ 1,44
29	Rubber pad, parking light to fender	182026	€ 6,70	30	Set fog lights 190SL yellow REPRO	182355	€ 518,64
30	Bulb, 35W, Fog light	299093	€ 8,32	33	Bracket f. foglights	182305	€ 145,78
34	Streuscheibe Nebel, klar, Trapezform	182302	N/A	34	Lens, fog, 130x75mm oval type, yellow	182300	€ 35,08
34	Lens, fog, square type, yellow	182303	N/A	34	Lens, plastic, clear, oval type	182301	€ 35,08
35	Tail light lens 190SL, early	182000	€ 178,50	35	Taillight cap, early red/red	182100	N/A
36	Seal, tail light lens to body early	182002	€ 38,23	37	Tail light lense, 190SL early	182003	€ 49,99
37	Taillight lens, early red/red	182102	€ 49,09	38	Bulb holder ->1956 type 4 bulbs (no rev	182104	N/A
38	Lamp holder ->1956 type 5 bulbs	182803	€ 564,14	39	shell, inner housing, early (small) taillights	182116	€ 148,99
40	Tail light lens, FN, Red/Clr/Red, repro	182915	€ 147,55	40	Tail light lens, FN, Red/Clr/Amber	182014	€ 145,36
41	Tail light assy, FN, Red/Clr/Red	182010	€ 345,27	41	Tail light assy, FN, Red/Clr/Amber	182012	€ 342,72
42	Bulb reflector, tail light	182016	€ 102,20	43	Hsg for tail light refl.	182017	€ 100,97
44	Seal tail light lens->body late (large)	182011	€ 21,68	45	Rubber grommet 10/15, taillight bucket 190SL, 107	199020	€ 1,08
46	Screw, chromed, tail lens	182013	€ 1,19	46	raised countersunk head screw, stainless steel M4X	182099	€ 0,30
47	Rep-lens taillight yellow/red late	182007	€ 49,10	47	Tail light lense, red/clr/red, late	182006	€ 49,98
50	Lamp lic-plate early 2-lenses RT	182049	€ 787,99	50	N/A: Lic Plt Lgt at body, Lt.	182050	N/A
50	Bulb 12V / 10W, torpedo, total length 44	299094	€ 0,51	50	Lic Plt Lgt at body, Rt.	182040	N/A
51	Lens, Lic.plate light early	182052	€ 20,50	51	Rubber seal lic light lens early	182051	€ 10,39
52	Rubberseal, taillight early	182054	€ 26,95	53	Rubber pad, Hsg. to body, non original size (small	182853	€ 31,89
55	License plate lights in bumper guards	182088	€ 177,99	56	Lic. Plt Lgt seal at bumper	182073	€ 7,16
57	Lense for License Plate Light (late version)	182071	€ 12,50	58	Chrome cover plate for lens	182072	€ 22,76
59	Rbr grommet,7/10,113 washpipe,121 boot	299011	€ 1,08	59	Grommet, 4,5/10mm, cable@wheelarch	182005	€ 2,53
65	Bumper reflector, European	182082	€ 49,99	65	Bumper Reflector	182882	€ 73,99
69	Reflector bracket Rt.	182084	€ 30,64	69	Reflector bracket Lt.	182085	€ 30,64
69	Simplified bracket, Europ refl.to bump	182885	€ 6,81	69	Simplified bracket, Europ refl.to bump	182884	€ 6,81
75	Wiper motor	182500	€ 1.832,14	76	Rubber tube, wiper motor mount	182407	€ 6,50
77	seal washer, wiper motor->bulkhead	182408	€ 6,07	78	Washer, No./Licence plate	188098	€ 2,82
79	Bushing, wiper motor mounting	182582	€ 4,40	80	Drive rod, motor to Rt. wiper box	182509	€ 190,00
80	Drive rod long, wiper gear Rt to Lt	182511	€ 189,35	81	Wiper transmission, LH w/o shaft	182510	€ 551,21
81	Wiper transmission LH w.shaft	182512	€ 692,64	82	Wiper transmission, RH. w/o shaft	182520	€ 551,21
82	Wiper transmission RH w.shaft	182522	€ 692,64	83	Bushing and Wiper shaft	182515	€ 125,87
83	Shaft and bushing, wiper drive L or R	182815	€ 209,99	84	Wiper shaft seal	182018	€ 12,25
85	Hex Nut Wiper	182503	€ 12,80	85	Cap, wiper shaft, altern.quality	182845	€ 19,52
85	Chrome cap, wiper shaft	182045	€ 23,00	86	Wiper arm 190SL	182095	€ 106,20
86	Wiper arm 190SL repro	182995	€ 104,90	87	1 pair wipers, Repro, stainless	182761	€ 89,25
87	Rubberstrip, 190SL wiperblade, 280mm	182061	€ 22,49	87	wiperblade repro 1 piece	182760	€ 50,69
87	wiperblade 1 piece	182860	€ 80,59	88	Sticker "Antisilin", if early washerbag	186707	€ 6,96
88	Washer bag, e.g. 190SL early	186706	€ 174,99	88	see 186705+186706	186005	N/A

88	Washer bag early, w. alu-cap	186705	€ 249,90	89	Bracket, washer bag ->'59	186012	€ 101,53
90	Washer pump early, dash/hand driven	186700	€ 386,75	90	Washer foot pump, overh.mech.w.switch	186020	€ 636,46
90	Rubber bellow, washer pump	186021	€ 44,35	90	Nut, M16 x 1.5 , foot pump to bracket	186048	€ 1,69
90	serrated lock washer, internal teeth, zinc plated	186049	€ 1,00	90	Washer foot pump, reproduction	186820	€ 535,50
90	Alu fitting, washer pump	186023	€ 100,00	91	WS washer tank, repro with cap	186810	€ 87,26
91	A0008692120 VDO-Washer tank by MB	186010	N/A	92	Washer bag cap w.valve e.g to 186015, B-Quality	186015	€ 18,86
93	Bracket, washer bag '59 ->	186011	€ 83,38	94	Hose, w/washer, flex.,per metre	186040	€ 1,84
94	clip, e.g. wire fixture 190SL, R113, R/C107	254874	€ 1,50	95	Rubber grommet 3/18, 121,113,107 and other	199010	€ 1,67
96	Foot pump mounting bracket	186045	€ 55,25	96	Foot pump mounting bracket repro	186845	€ 37,14
97	Rubber bellows for foot pump	186022	€ 40,31	98	Windshield spray nozzle, early	186031	N/A
98	Windshield spray nozzle, early	186831	€ 180,99	99	Double nozzle washer jet, div. from	186830	€ 41,00
99	Chrome washer dble-jet, 190late(bonnet)	186030	€ 58,50	105	...		
105	Bulb 12V 15W BA15S, halo modernized	399084	€ 3,92	105	Bulb, e.g. trunk light	282033	€ 2,50
105	Halogene bulb, fits in Bilux socket	299192	€ 4,86	105	light bulb 12V/2W, BA9s, eg. Instruments	254033	€ 2,20
105	Bulb, 5/21W (2 filament)	199090	€ 1,09	105	Bulb 1.2W, glass socket, switch-knob, cockpit	299097	€ 1,79
106	Indicator light small, yellow, complete	182038	€ 69,85	106	Indicator light small, clear, complete	182039	€ 69,85
				182028	N/A: A0008262282, socket US-Version	182028	N/A

83 Heater System

83 Heater System

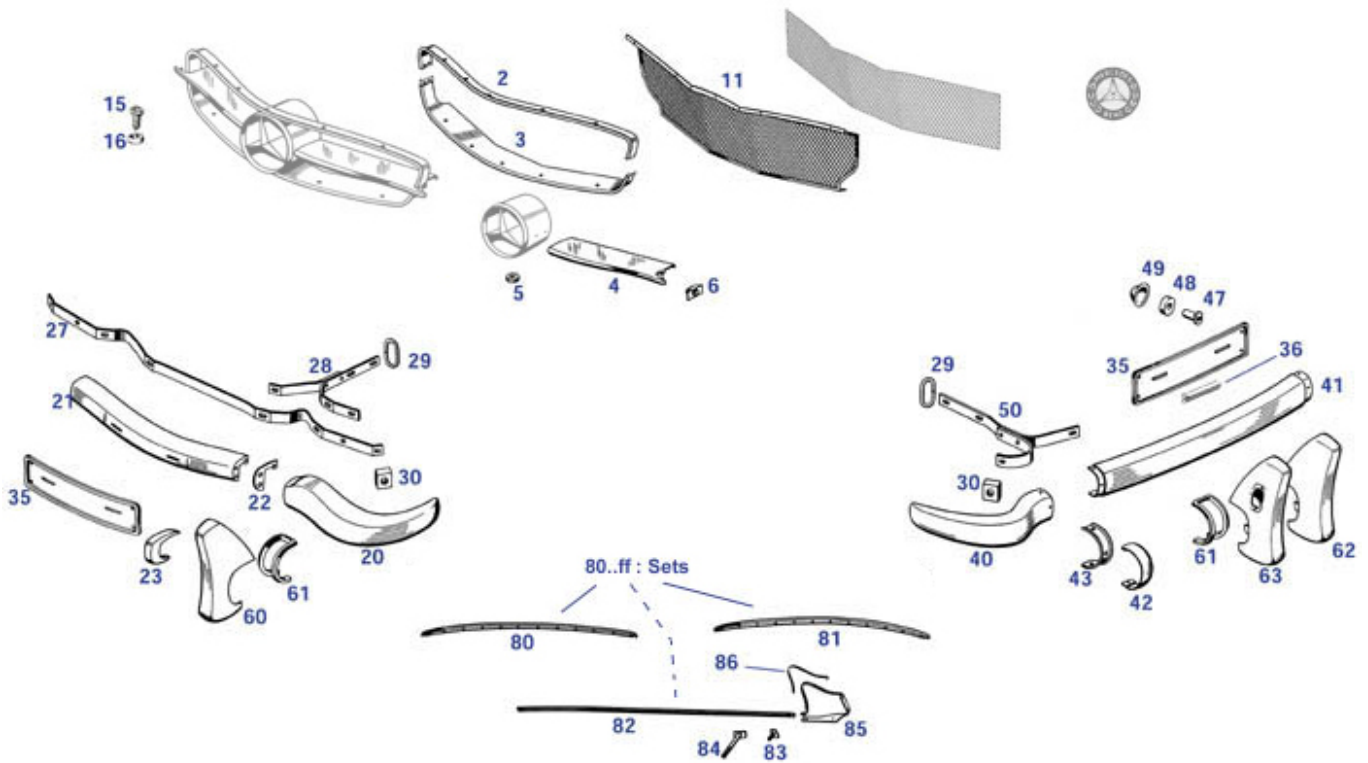


	Chromed heater control esc. outer	183301	€ 99,90		set of side walls for repair of RH heater core	183718	€ 237,54
	Blue insert for escutcheons	183303	€ 3,95		heater flap box.Alternative:18385	183050	N/A
3	Air duct hose, front Lt, Lgth.185mm	183035	€ 114,84	3	Air duct hose, front Lt, Lgth.185mm	183835	€ 61,00
3	product replaced: Lock / winding clip for 9mm stra	109035	€ 2,09	3	1m metal strip, 9mm clamp	109030	€ 4,00
4	Hose, air duct, front Rt. Lgth 390mm	183036	€ 99,00	5	Heater bug screen, Lt.	183011	€ 45,03
6	Heater bug screen, Rt.	183012	€ 31,00	7	Heater air tube (LH around blower)	183013	€ 169,99
8	Connection to heater core	183040	€ 203,75	8	Connection to heater core	183840	€ 233,00
9	Clamp air duct	183834	€ 60,82	9	Clamp air duct	183034	€ 59,15
10	Rubbergrommet 7/15mm, air duct, hornwir	199009	€ 2,31	15	Heater box 190SL, Lt. (ABS)	183030	€ 487,29
16	RH metal air duct w flaps, black	183850	€ 302,50	17	Air duct hose to defrosters, Lgth 250mm	183037	€ 119,12
17	Air duct hose to defrosters, Lgth 250mm	183837	€ 41,00	18	Heater box seal to firewall, Lt.	183070	€ 19,69
19	Heater box seal to firewall, Rt.	183060	€ 14,66	20	Rubbergrommet, defrost tube	183109	€ 16,30
21	Blower motor, LH heater duct, two speed	183007	€ 1.508,00	21	Blower motor (two speed)	183807	€ 1.281,86
25	We would be happy to advice you Heater core LH, o	183017	N/A	25	Heater core LH, overhauled, non-exchange-service	183817	€ 1.398,25
26	right Heater core (in exchange!)	183019	€ 1.533,99	26	Kit housing covers heater RH	183819	€ 240,33
26	Lever at heater core valve RH	183816	€ 21,00	26	Wärmetauscher rechts, überholt	183818	N/A
26	(overhauled) heater core RH	183119	€ 2.184,00	28	Rubberseal, heater core Lt.	183080	€ 14,02
29	Valve insert, eg heater core 190SL, LH or RH	183814	€ 24,99	29	imprecise repro, may require adoption work	183815	€ 153,40
29	lever only, heater core valve left side	183811	€ 17,85	29	key shim at square valve drive	183813	€ 13,48
30	Sealing ring, heater valve	283022	€ 2,31	31	see 483100 identical product	483100	€ 398,30
31	Water pipe,heater"return", adjust at car	183102	€ 110,31	32	Water pipe, heater "feed", adjust at car	183101	€ 103,28
34	1m Water hose I/D 16mm	150019	€ 16,05	34	Hose clamp 20-32mm, worm thread style	750042	€ 1,09
34	Water hose, i/D 18mm per metre	250019	€ 19,10	34	see 250823	250023	N/A
35	Clamp, water pipe	183104	€ 14,35	35	Clamp, water pipe	183105	N/A
36	Cable bracket	183083	€ 48,74	37	Clamp, heater pipes @ firewall	183106	€ 14,71
41	Chromed heater control esc. middle	183311	€ 125,30	43	Heater control lever, chrome	183401	€ 82,00
43	Heater lever, black plastic	183403	€ 56,24	44	Wire Pull e.g. Left Heater valve 190SL	183033	€ 3,57

45	1m cable coil, outer	183072	€ 3,52	46	Heater cable clamp 190SL, 220,	183073	€ 4,33
47	n.a. Clamping screw at cable ends	183053	N/A	48	Two hole grommet,heater & choke cables	130005	€ 3,05
49	Red insert for escutcheons	183302	€ 3,99	50	Bushing, heat.lever escutcheon	183305	€ 3,49
51	Bushing, Rt. air duct	183052	€ 5,71	55	Control lever RH w.o. knobs	183061	€ 138,54
55	Control lever middle w.o. knobs	183056	€ 164,99	55	Control lever LH w.o. knobs	183051	€ 138,54

88.b Chrome and Trims

88.b Chrome and Trims



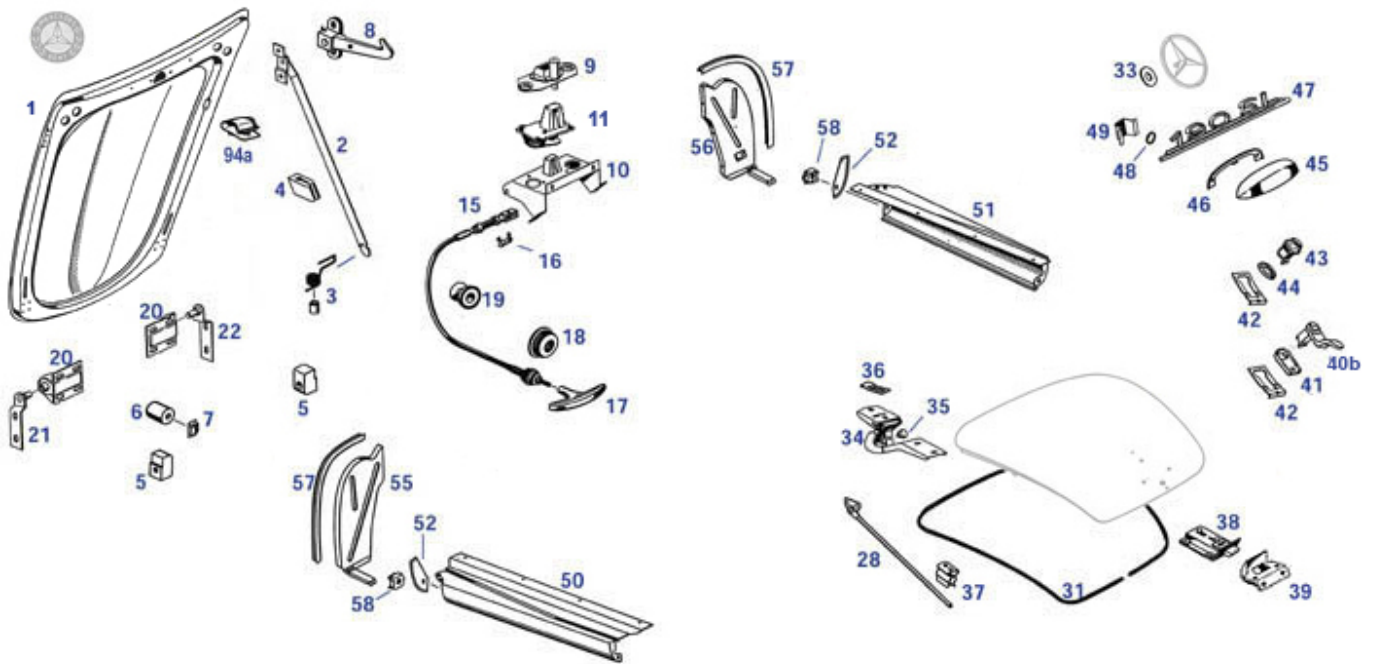
Starting from VIN .. 6501115, sill strips, stone pillars and gill strips were installed. According to spare parts literature, the small front ornamental horns from VIN ..6503050 was not in use anymore which was possibly associated with the wide standard of number plate (52cm in Germany). For re-import, the limited space can make a shorter number plate recommendable. With later transition of the big horns from "special request" to "series" the license plate lights are placed in (from FG ..7501450, supplementary parts to picture number 63 see assembly lighting). (For example, numbers 2, 3 and 85): optimal fit results can be achieved by matching the trim and planking before coating

	Set 18 bolts lower trims see 169867	169868 169067	N/A N/A		mesh with frame, needs works Set of chrome screws 419 pcs for bucket seat car	188988 191112	€ 196,35 € 749,99
	Eyebrow trim set, 2nd choice see 189911	169700 189011	€ 529,55 € 8,29	1	see 189811 A121880023 Chromed grille complete Rep	189111 188300	N/A N/A
2	Top surround, Repro unchromed	188082	€ 246,98	2	Top surround, Repro chromed.	188080	€ 1.074,99
3	Bottom surround, Repro unchromed	188083	€ 243,95	3	Bottom surround, Repro chromed	188081	€ 981,75
4	Grille wing Lt., repro unchromed	188067	€ 299,87	4	Grille wing Rt., repro unchromed	188068	€ 299,87
5	Shim, canister to surround	188072	€ 8,90	6	Clip nut	188073	€ 0,49
6	pan head tapping screw zinc plated 3,9 X 13	188889	€ 0,25	7	Center star and canister	188070	N/A
8	A40198817001640 star emblem	181050	N/A	11	Radiator bug screen 190SL	188888	€ 305,69
12	Fence work for bug screen	188887	N/A	15	Screw @ front grille, hi gloss chromed	188171	€ 1,61
15	Set of chrome screws 395 pcs	191111	€ 789,99	15	Screw @ front grille	188071	€ 1,90
16	Washer, chrome, high shape, fits up to 4mm screws	288013	€ 2,99	20	Bumper front left chromed Repro	188001	€ 1.617,21
20	Bumper Lt. unchromed, front	188016	€ 722,50	20	Bumper Rt. unchromed, front	188018	€ 722,50

20	Repro. Bumper Rt. chromed, front	188002	€ 1.617,21	21	Repro. Bumper center chromed, front	188003	€ 1.808,80
21	Bumper center unchromed, front	188017	€ 741,00	22	Repro. Spacer, front bumper, REPRO	188112	€ 19,99
23	Chrome bumperette, Rt.	188820	€ 136,53	23	Right Chrome bumperette	188020	€ 118,99
23	Left Chrome bumperette	188010	€ 118,99	23	Chrome bumperette, left	188810	€ 136,53
26	License plate, 52,50cm chromed	188090	€ 138,61	26	License plate, 40cm unchromed	188094	N/A
26	chrome license plate holder 40cm	188895	N/A	26	License plate, 52,50cm unchromed	188091	€ 46,91
26	Licence plate underlay, stainless steel, inner wid	988788	€ 29,75	27	hex nut M10 (hex17), hot zinced	199148	€ 0,57
27	Bumper brace, front center, B-Quality	188813	€ 375,94	27	Bumper brace, front center	188013	N/A
28	Bumper brace, frt. LH, shape see pictures	188100	€ 208,90	28	Bumper brace, Rt. overhauled, see pict	188280	€ 263,53
28	Bumper brace, RH, shape see pictures	188200	€ 208,90	28	Bumper brace, Lt. overhauled, see pict	188180	€ 263,53
29	Grommet, bumper arm	188597	€ 9,94	29	Grommet, bumper arm (oval)	188596	€ 10,09
30	Washer 2mm, thick, exh-manif, bumpers .	214008	€ 0,56	30	Locking ring M10	299328	€ 0,38
30	Square nut, M10	188012	€ 0,58	30	Bolt M10x30 e.g. rear axle mount	235318	€ 1,02
36	1m rubberprofile, license plate / body	188093	€ 11,65	40	Bumper, rear left, chromed, Repro.	188005	€ 1.466,08
40	Bumper Lt. unchromed, rear	188007	€ 624,99	40	Bumper Rt. chromed, rear	188004	€ 1.617,21
40	cheese head screw zinc plated M8 X 20	188886	€ 0,69	40	Bumper Rt. unchromed, rear	188009	€ 624,99
41	Bumper center chromed, raer	188006	€ 1.617,21	41	Repro. Bumper center unchromed, rear	188008	€ 617,00
42	Bumper joint cover, rear left side	188110	€ 57,72	42	Repro. Bumper joint cover, Rt.	188120	€ 57,72
43	Joint cover underlay, rear bumper	188311	€ 6,39	47	Hollow screw rr lic-plate support late	188099	€ 5,99
48	Washer, No./Licence plate	188098	€ 2,82	49	Metal cup 7501451>	188097	€ 1,40
50	Bumper arm rear, Lt.	188815	€ 276,70	50	bumper arm rear, RT.	188814	€ 276,70
50	Screw, bumper bracket	288116	€ 0,76	50	Bumper arm rear, Rt.	188014	€ 250,96
50	Bumper arm rear, Lt.	188015	€ 208,90	60	Bumper guard, front Rt. unchromed	188045	€ 242,75
60	Bumper guard, front Lt. unchromed	188034	€ 242,75	61	1 m rubber profile, black	189811	€ 9,21
61	Profile, bumperette, grey	189911	€ 9,21	62	Bumper guard, rear Rt. unchromed early	188087	€ 224,55
62	Bumper guard, rear Lt. unchromed early	188076	€ 224,55	63	Bumper guard, rear Rt. unchromed late	188086	€ 246,33
63	bumper guard, rear Lt. unchromed late	188079	€ 246,33	80	Eyebrow trim frt RH	169720	€ 122,57
80	lens head screw chromed, 2,9x6,5, DIN 7981	169007	€ 1,07	80	Eyebrow trim front left	169710	€ 128,70
80	Set 18 bolts lower trims	169068	€ 64,57	80	Eyebrow trim frt RH	169820	€ 291,95
80	Screw, R/C107, R113	272724	€ 0,51	80	Eyebrow trim front left	169810	€ 291,95
81	Eyebrow trim rr RH	169740	€ 122,57	81	Eyebrow trim, rear left	169730	€ 122,57
81	Eyebrow trim rr RH	169840	€ 291,95	81	Eyebrow trim, rear left	169830	€ 291,95
82	Alloy trim, lower, RH	169960	€ 269,29	82	Alloy trim, lower, RH	169860	€ 297,62
82	Alloy trim lower, LH	169850	€ 297,62	82	Alloy trim lower, LH	169950	€ 269,29
83	Bolt short, lower trims, 14 x req	169066	€ 3,39	84	Bolt "long" f.lower trims, 4x req	169867	€ 2,75
85	Ctr sunk screw @ 272033/044/300/400	272034	€ 1,44	85	Stone guard Rt., unchromed repro.	169064	€ 234,00
85	Chrome-plated imitation free-forming: There may be	169053	€ 227,29	85	Chrome-plated imitation free-forming: There may be	169063	€ 227,29
85	Stone guard Lt., unchromed repro.	169054	€ 234,00	86	1m rubber profile e.g. prot.	169056	€ 2,99

88.a Bonnet, bootlid & cover panels

88.a Bonnet, bootlid & cover panels

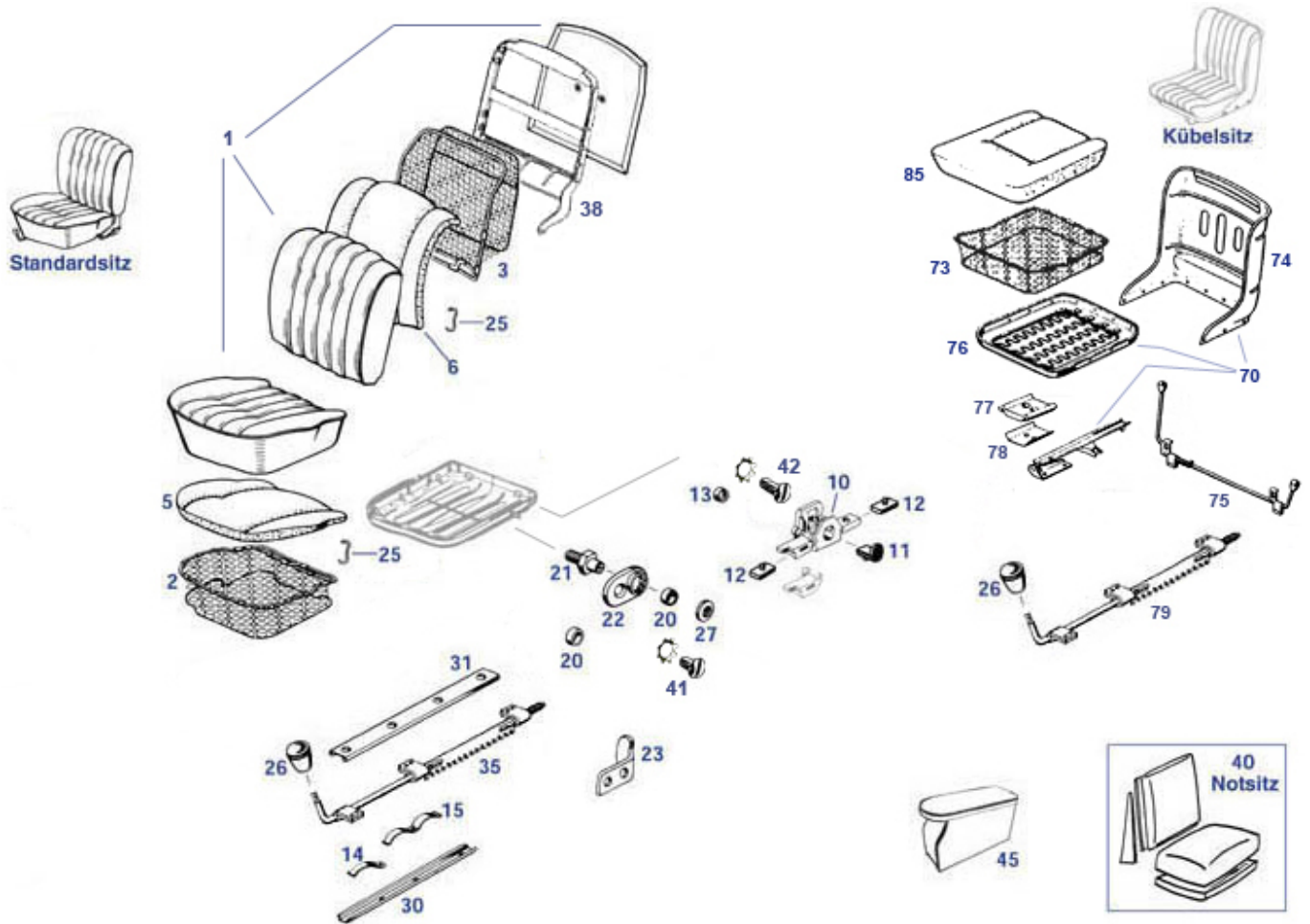


	Eyebrow trim frt RH	169920	N/A	16 m sealing compound strip 3mm black	699996	€ 10,59	
	Eyebrow trim frt LH	169910	N/A	Eyebrow trim rr LH	169930	N/A	
	Eyebrow trim rr RH	169940	N/A	clip, e.g. wire fixture 190SL, R113, R/C107	254874	€ 1,50	
	Rear lock 190SL early 2nd qlty	175076	N/A	1	Repair peace for engine hood (aluminum)	188581	€ 599,99
1	Used hood, if available	188501	€ 2.320,50	1	pick-up-price: bonnet skin 190SL	188500	€ 1.785,00
2	Hood support	188745	€ 94,00	3	Hood support spring kit	188746	€ 48,02
3	Bonnet stilt rack	188747	€ 35,16	4	Hood support retaining rubber	188618	€ 11,34
5	Hood alignment buffer, black	188600	€ 6,70	5	Hood alignment buffer, grey	188601	€ 10,50
6	Hood buffer	188620	€ 3,72	7	Clip nut	188073	€ 0,49
8	A1218800064 Hood safety hook	188011	N/A	8	pay attention to usability before assembly (may be	188711	€ 89,90
9	Hood lock, upper	188735	€ 684,67	10	Bonnet lock w.console, lower	188042	€ 959,90
11	Lower part bonnet lock (catcher pin)	188043	€ 376,28	15	Hood release cable, without handle	188021	€ 59,50
16	N918001005001 Bolt w. locking clips	188032	N/A	17	Alu handle, hood release	188019	€ 78,00
18	A1875270072 Curled nut, bonnet cable	188031	N/A	19	Rbr grommet ../24,2 hole, revcables, oil/temp-pipe	299009	€ 3,61
20	Hinge, hood part, Lt or Rt	188700	€ 41,45	21	Hinge, support at body Lt.	188710	€ 141,60
22	Hinge, support at body Rt.	188720	€ 141,60	23	A40198817001640 star emblem	181050	N/A
28	Trunk hood opener strut	175028	€ 113,36	30	Trunk lid	175000	€ 1.044,33
31	Seal, 190SL trunk lid Repro.	175020	€ 48,55	32	A1217500079 Trunk star	175010	N/A
33	Rubber washer	175012	€ 1,11	34	Hinge	175009	€ 505,75
34	washer, 6,4 e.g. boot hinge	175005	€ 0,36	35	A0009879040 Trunklid detente rubber.MB	175039	N/A
36	Clip nut, trunk hood	175015	€ 19,75	37	A0009840361 spring clamp	175025	N/A
38	Satz Heckschloss mit Falle	175890	€ 379,00	38	Lock mechanism	175090	€ 349,99
39	Striker for boot lock	175080	€ 156,00	40	Trunk lock early	175875	€ 102,34
40	Lock cyl. set 4 pcs, 1 key, 190SL Gen.2	172928	€ 833,00	41	Rubber Underlay, 'hook'-lock	175002	€ 7,66
42	Locking Plate for trunk lock	175086	€ 19,87	43	Lock button with key 60 to 63	175030	€ 74,96
43	Lock cyl.set. 4 pce, 1 key, 190SL Gen.4	172929	€ 865,00	44	Underlay for button lock	175088	€ 4,07
45	Trunk handle, 1960 to 1963	175801	€ 101,39	45	Trunk handle, 1960 to 1963, Pontoon+SL	175001	€ 153,99

46	Underlay rubber, handle from ...	175811	€ 11,70	47	A1218170215 '190SL' Type on trunk lid	181040	N/A
47	Type designation 190SL Repro, @ boot lid	181840	€ 61,88	48	Seal ring @ type designation	181041	€ 1,64
49	Bolt M3 for sign	181043	€ 0,13	49	Mounting Bracket	181042	€ 10,19
50	Rocker panel, Lt. Repro	183010	€ 179,99	50	panelling screw, phillips, chromed	268133	€ 1,32
50	3mtr flat profile Terostat IV, 20 x 2 mm	199995	€ 22,00	51	Rocker panel, Rt. Repro	183020	€ 179,99
52	Rocker panel spacer shim 190SL	183022	€ 10,28	55	bracket, mud guard, Lt. or Rt.	188039	€ 7,25
55	Splash guard 190SL, Lt.	188030	€ 106,99	55	Clamping Bolt M6 for square bodypanel holes	188036	€ 8,45
56	Splash guard 190SL, Rt.	188040	€ 106,99	58	Cage nut M6, no locking	188835	€ 1,90

91 Seats

91 Seats

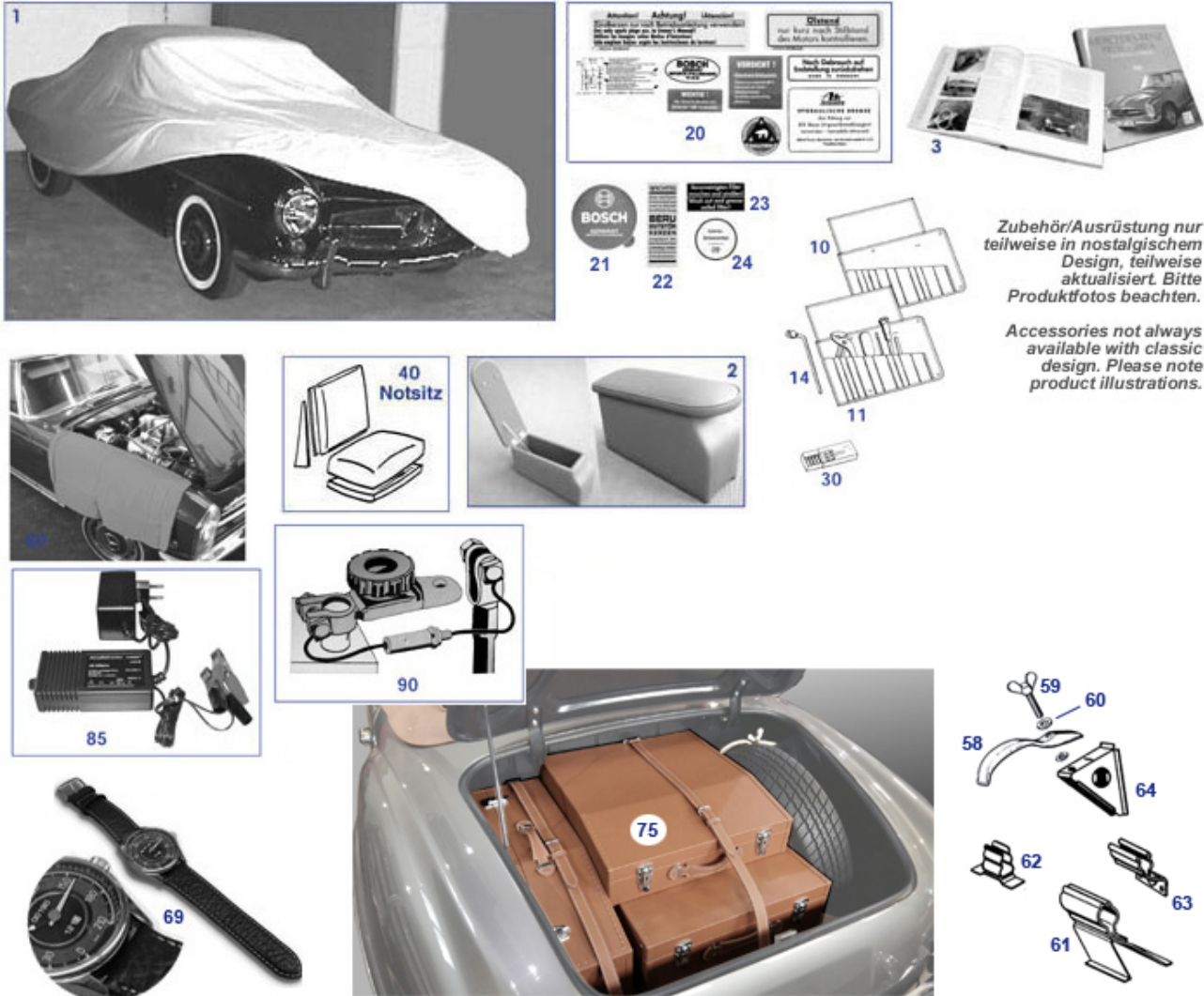


	Set of 4 bucket seat foam pads 190SL	191800	€ 1.195,95		Bolt at seat frame	191915	N/A
1	Seat cover, leather. Rt.57->	193121	€ 654,50	1	Seat cover, leather. Rt.->56 black	193120	€ 654,50
1	Seat cover, leather. Lt.57->	193111	€ 654,50	1	Seat cover, leather. Lt.->56 black	193110	€ 654,50
2	Seat springs left modif.low/hard	191211	€ 269,00	2	Seat springs Lt. repro std.(D)	191610	€ 205,87
2	Seat springs Rt. repro std.(D)	191620	€ 205,87	2	Seat springs Lt. repro std.(D)	191210	€ 269,00
2	Seat springs Rt. modif.low/hard	191221	€ 269,00	2	Seat springs Rt. repro std.(D)	191220	€ 269,00
3	Seat springs back Rt. repro	191242	€ 218,48	3	Seat springs back Rt. repro	191240	€ 255,01
3	Seat springs back Lt. repro	191232	€ 229,40	3	Seat springs back Lt. repro	191230	€ 255,01
5	Right Seat Pad 'rubber hair'	191160	€ 185,00	5	Left Seat Pad 'rubber hair'	191150	€ 185,00
6	Seat pad B.rest 'rubber hair' Lt.	191170	€ 165,40	6	Seat pad B.rest 'rubber hair' Rt.	191180	€ 165,40
10	Seat back adjuster, Lt.	191060	€ 172,63	10	Support, RH assy (not in set by car)	191865	€ 165,47
10	Set 4 pcs chrome seat adjust supp.,Repr	191165	€ 809,90	10	Support, LH assy (not in set by car)	191860	€ 199,75
10	Seat back adjuster, Rt.	191065	€ 172,63	11	Rubber plug at adjuster	191040	€ 12,74
11	Rubber plug at adjuster	191840	€ 7,22	12	square rubber buffer, seat adj.link	191850	€ 3,61
12	A1809190096 Rubber pad	191050	€ 3,37	13	Metal ring at seat (one side taper sunk)	191055	€ 9,06
14	Leaf spring for front run	191011	€ 31,19	15	Leaf spring for rear run	191012	€ 36,71
15	Leaf spring for 'Bucket seat'	191013	€ 38,08	20	Spacer tube, seat frame	191014	€ 6,37
21	Bolt at seat frame, no hex head	191705	€ 13,61	21	Bolt at seat frame, hex head 19	191715	€ 41,54
21	Bolt at seat frame	191015	€ 41,54	22	as long as stock lasts! Escutcheon on pivot pin >7	191020	N/A
23	Seat catch Rt.	191018	€ 36,88	23	Seat catch Lt.	191019	€ 36,90
25	A0009842061 Clip, cover fitting	191026	N/A	26	Knob for seat adjuster	191030	€ 19,99
27	Chrome sunk washer at seat hinge	191016	€ 20,88	27	S-Steel bolt M6 x 16	191717	€ 17,01
27	Sunk washer at seat hinge, stainless steel	191716	€ 18,56	27	Chrome bolt M6 x 16	191017	€ 23,67
30	Seat slide rail	191075	€ 77,95	31	Guide rail, inner	191070	€ 103,99

31	Guide rail, outer	191080	€ 103,99	35	Seat slide arrester, left standard-seat (near tunn	191270	€ 164,79
35	Seat slide arrester, right standard-seat (near tun	191280	€ 164,79	38	backrest frame, standard seat L / R	191710	€ 595,00
38	backrest frame, standard seat L / R	191810	€ 729,99	40	190SL		
40	Jump seat cover, leather black	193190	€ 425,43	40	Rear seat assy w.o. upholstery	168375	€ 726,96
41	S-Steel countersunk screw M10 x 20 DIN 91	191721	€ 9,78	41	Montagehütchen Notsitz	168879	€ 39,66
42	Chromed countersunk screw M10 x 25 DIN 91	191022	€ 10,46	45	Chromed countersunk screw M10 x 20 DIN 91	191021	€ 10,46
45	Box w. armrest, leather colored	184801	€ 649,99	70	Box w. armrest, leather black	184800	€ 599,99
73	Seat springs "bucket-seats" W121 + 300SL	191215	€ 319,99	73	Set bucket seat skeletons, Repro	191190	€ 4.199,00
74	Shell, backrest L or R, bucket seat	191195	€ 1.189,99	73	Seat springs Lt. repro std.(D)	191200	€ 187,43
75	Locking lever, bucket seat LH	191251	€ 439,11	76	Locking lever, bucket seat RH	191252	€ 333,33
76	Spring well, RH bucket seat	191197	€ 832,99	76	Spring well, RH bucket seat	191196	€ 832,99
78	metal plate @ bucketseatrubber	191192	€ 29,99	77	rubber buffer for bucket seat	191191	€ 33,32
79	Seat slide arrester fits bucket style LH seat RH m	191279	€ 146,25	79	Seat slide arrester fits bucket style RH seat LH m	191269	€ 146,26
				85	Seat pad LH, bucket seat	191151	€ 295,00

97 Accessories

97 Accessories



Zubehör/Ausrüstung nur teilweise in nostalgischem Design, teilweise aktualisiert. Bitte Produktfotos beachten.

Accessories not always available with classic design. Please note product illustrations.

	dust cover for hardtop, large	779986	€ 35,70				
	Radio"Becker Europa Transistor" extra equipment	199800	€ 854,07				
	Wind mesh "Weyer" adaptable to 190SL	186807	€ 333,08				
	Set of chrome screws 395 pcs	191111	€ 789,99				
	Wheel clamp, anti-theft "Nemesis"	940902	€ 261,80				
1	Car cover 190 SL	199905	€ 188,50	1			
1	Car cover "FirstClass", Sport large blue	799800	€ 199,99	1			
2	Set 3pieces, suitcases, leather, fits 190SL	199580	€ 3.299,99	2			
2	Speaker box 190SL, wood, leather, black	168017	€ 519,99	2			
2	Box w. armrest, leather colored	184801	€ 649,99	3			
3	n.a.Book "Die Sternen Maler"old commerc	911311	N/A	3			
3	Book: Glens MB Repair & Tune Up Guide	111301	€ 26,75	3			
3	Book(german) MB190SL,230-280SL	211300	€ 53,39	10			
11	A1125800203 Toolbag with tools	258100	N/A	11			
14	Wheel nut wrench, orig, latest version	259101	€ 23,50	14			
	1 pair of tire protection underlay pads	940900	€ 52,00				
	Speaker box 190SL, wood, leather, color customized	168018	€ 519,99				
	Set of chrome screws 419 pcs for bucket seat car	191112	€ 749,99				
	Model car 190SL f. key bundle	199999	N/A				
	Wheel clamp, anti-theft	940901	€ 53,55				
	Car cover, 190 SL outdoor	199906	€ 189,92				
	Indoor Car Cover Premium, "L", grey	299909	€ 89,86				
	Box w. armrest, leather black	184800	€ 599,99				
	Speaker box 190SL 40W, metal housing	168016	€ 478,48				
	"Book "Faszination 190SL" german+engl"	111302	N/A				
	N/A ! Book MB Roadster&Cabrios '49-'89	911310	N/A				
	Book Rep manual, german "Bucheli" 190SL	111303	€ 42,69				
	Tool bag without tools	258106	N/A				
	Staubfrei Handfeger Cotton, 35cm	999915	€ 49,99				
	A0005810317 NI Screwdriver set, 3 piece	258085	N/A				

20	Set: 10 labels engine compartment	179030	€ 30,64	21	Bosch label f. battery	154084	€ 9,40
22	Label: Beru spark plugs	179029	€ 4,76	23	Label: air filter box (D)	179028	€ 4,76
24	Sticker "Antisilin", if early washerbag	186707	€ 6,96	24	Label: 'Gefrierschutzmittel'(D)	179027	€ 4,76
30	25Amp fuse, short version, NOS	258991	€ 5,69	40	Rear seat assy w.o. upholstery	168375	€ 726,96
40	Jump seat cover, leather black	193190	€ 425,43	58	Tire jack holder 190SL	158040	N/A
58	Tire jack holder 190SL	358040	€ 131,69	59	Wing screw 230SL FN	240006	€ 42,53
60	A3269900740 Washer, wing screw	240009	€ 16,54	60	Washer 13mm e.g. prop shaft disc bolts	741122	€ 0,50
60	A0009872141 Wing screw rubber washer	240017	N/A	61	Tire jack holder 190SL	164043	€ 130,00
62	Lug wrench holder	164041	€ 15,33	63	Jack/tool support	164054	€ 126,00
64	Support, Tire holder @ inner wheelarch	164058	€ 91,40	69	watch "speedometer-face-design" 190SL	199996	€ 169,99
69	Armbanduhr "Tacho-Design" Strich-Acht	599996	€ 169,99	80	1 pce Wing prot.cover, cotton, magnet	999922	€ 37,00
81	Antenna, manual, red knob	299967	€ 101,95	85	professional battery charger 10A	954090	€ 267,75
85	Accu-Refresher controlled charge	954085	N/A	85	Accu-Refresher CTEK 7Amps, charge+maint	954087	N/A

