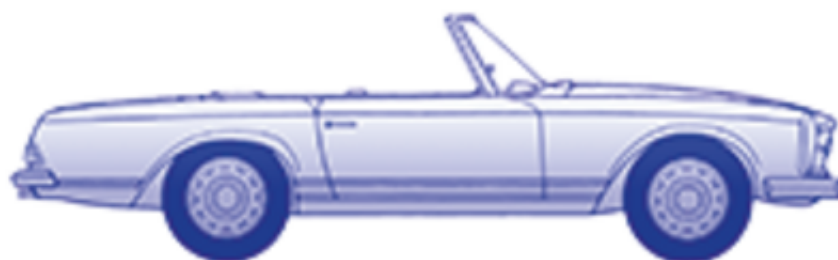


Mercedes 230 - 280SL (W113)



Content

03 Engine M127 M129 M130	5
01 Crankshaft Housing	5
03.a Crankshaft and Pistons	6
03.b Info Pistons 230-280SL (R113)	8
03.c Info Piston Ring Enquiry	9
05.a Cyl.Head, Camshaft, Valves	10
05.b Zyl.Kopfschrauben Info	13
05.c Timing Chain	14
07 Mech.Injection, Air Intake, ...	16
07.a Injection System	16
07.b Injection Pump	17
09 Air-Intake and Aircleaner	18
15 Electrical Equipment at Engine	21
15.a ignition	21
15.c Starter and Generator	22
15.e Electronic Ignition System, "1-2-3"-Retrofit	24
15.e Electronic Ignition System, "1-2-3"-Retrofit	25
07.c electric engine control	25
15.i Info Spark Plugs	26
18 Engine Lubrication	28
22 Enginemounts	30
25, 26 Clutch + 4-Speed-Box	31
25.a Clutch (manual), mechanic/hydraulic components	31
26.a Gearbox (manual)	32
26.b Gearlever Linkage	35
29.i Info Veränderung der Hydraulikteile	36
27 Automatic Gearbox	37
27.a Automatic Gearbox	37
27.b Automatic: Linkage and Connecting Parts	38
25.c Hydr. Clutch	40
27.i Info Belagzustand	40
30 Acc Linkage	42
32, 33 Front suspension	44
33.a Front Axle	44
33.c separate items control arm bearing	45
32 Info Bilstein Shock Absorbers	46
35, 40, 41 Rear Suspension, Wheels, Propeller Shaft	48
35.a Rear Suspension	48
40 Wheels and Propeller Shaft	50
35.b Info Axle Ratio	52
35.c Info Axle Bearing rear	54
35.d Info rear spring retainer and trailing arm	54
42 Brakes	56
42.a Brake (Wheels)	56
42.b Girling brake-caliper	57
43 Mastercylinder	58
42.c Brakepipes	60
42.d Handbrake	61
46 Steering	63
46.a Steering, Linkage	63
46.b Steering Column up to 07.67	63
46.c Steerg. column from 07.67	65
46.d Steering Gearbox, Fluid Pump	66
46.e Special Steering Wheels	68

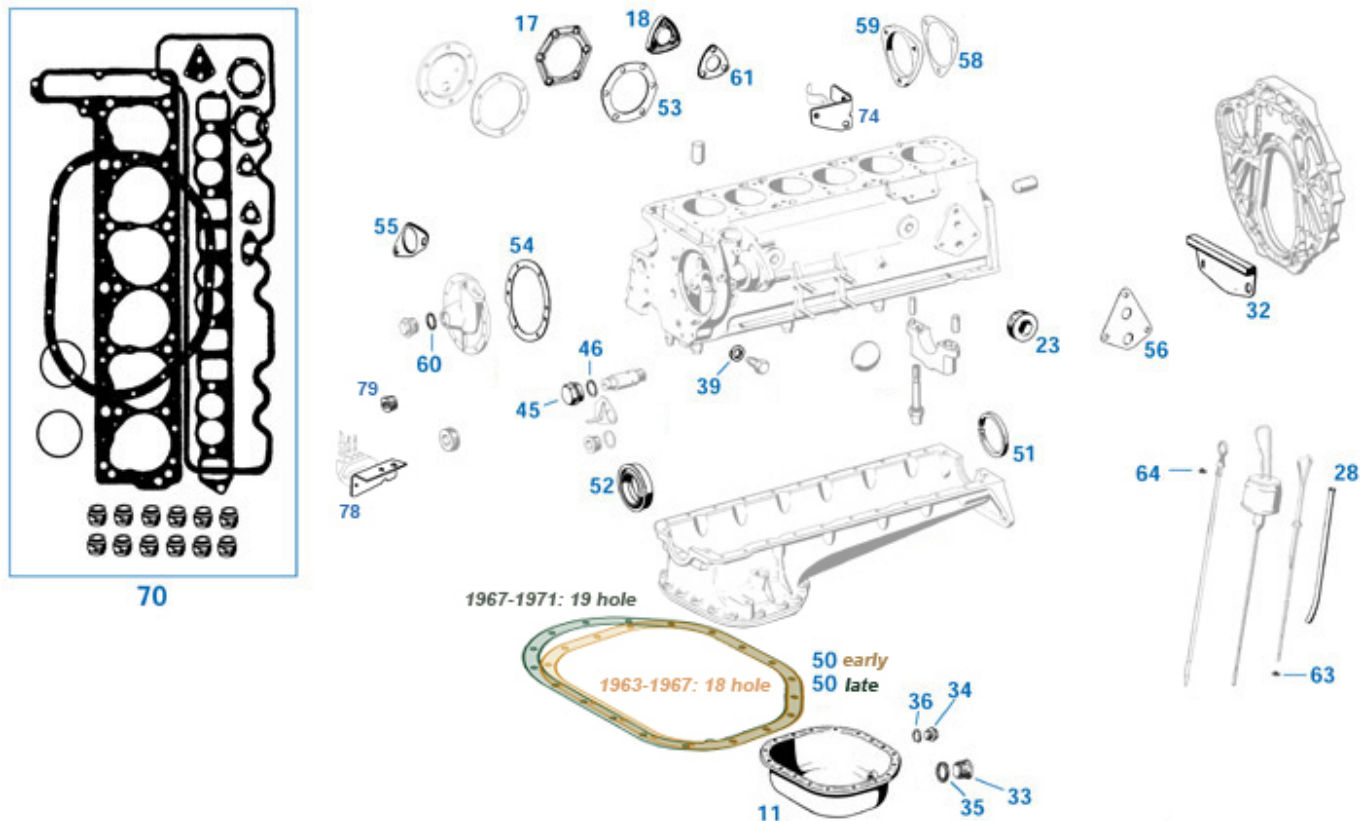
47 Fuel Tank	69
49 Exhaust Systems	71
49.a Exhaust System, standard	71
49.b Stainless Steel Exhaust 230SL 250SL 280SL	72
50 Cooling System	73
50.a Cooling System 230SL	73
50.b Cooling System 250SL	74
50.c Cooling System 280SL	76
54 Electrical Equipment at Body	79
54.a Instruments	79
54.b Main wiring harness	79
54.c Equipment for Cable Harness	81
54.d Rubber Grommets	83
54.i Info Battery Dimensions	84
62 Body, Frame & Panelling	86
61 Floor Panels 230SL 250SL 280SL	86
61.a Info frame rail parts	87
62 Body, front	88
64 Panelling	90
67 Windscreen 230SL 250SL 280SL	92
68 Covering, insulation, wood	94
68.a Dashboard coverings	94
68.b Mats, Noise Reduction	95
68.c Rockerpanel and trim	97
68.d Covering under dashboard	98
68.e Floor mats, info and attached parts	99
72 Door	101
72.a Door	101
72.c Door Window	103
72.d Info window crank handle	104
72.b Info Door Catch	105
89 Locking System	106
75, 88 Trunk, Softtop-Box, Bonnets/Lids	108
88 Engine Bonnet and Grille Garnish	108
75.c Softtop Box	109
75.6 Boot Lid and Trunk Equipment	111
77, 79 Softtop & Hardtop	114
77.a, Softtop frame and equipment	114
77.b, Softtop/Verdeck Stoffbezug	115
79 Hardtop	117
77.c, 86.b Wind protector	118
77.d, 86.c Info MB/Oris wind protector	119
79.b Hardtop Storage	120
81 Mirrors, Sunvisors, Int/Ext Eqmt.	122
82 Lighting and Wiper	124
82.a Lighting Units, standard	124
82.b compatible parts fitting Bosch-Bilux	126
82.c Lighting Units USA, additional Lamps	127
82.d Windscreen wipe/wash	127
82.r Headlamps, Reproduction Overview	128
82.i Info Headlight Halogen or Bilux	129
82.i Info Rückleuchten	130
83 Heater System	132
88.b Chrome Parts, Outer Body	134
91 Seats	137
99.a Accessories	139

SLS Import- und Export Handelsgesellschaft mbH
Jacobsrade 27 · D-22962 Siek
Tel. +49(0)40 656 939-0 · Fax +49(0)40 656 939-399
I-net: www.sls-hh.de · e-mail: service@sls-hh.de

03 Engine M127 M129 M130

01 Crankshaft Housing

01 Crankshaft Housing



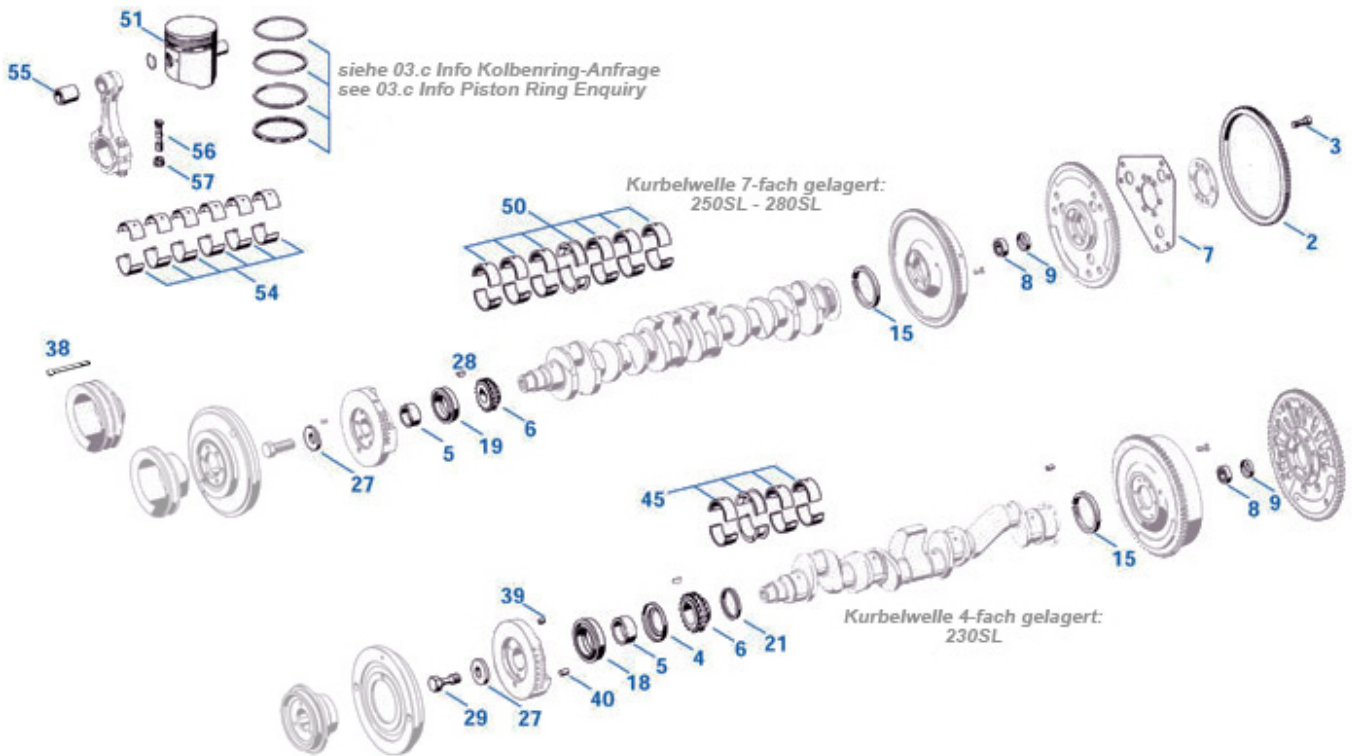
Fastest distinguishing feature for removed engines from non-SL: missing rev counter drive, saloon engine arms. Unfortunately, a list of assignments of the cast fuselage blank part numbers to later engine numbers is not available. The original SL condition includes this type arrangement: 230SL = 113.042 = engine M127.981, detection: 4-way crankshaft bearing, 6-piston injection pump (deviating from M127-220SEb two-piston); 250SL = 113.043 = M129.982 engine, detection: 7-way crankshaft bearing, pistons 82.00 to 83.00, oil-water heat exchanger; 280SL = 113.044 = engine M130.983, detection: pistons 86.50 to 87.50 Both sedan engines and replacement engines can be found in large numbers, including engines without a sticker. The catalogue pages 03.b (assignment of pistons) and 05+05.a (identification and assignment of the head gasket) serve as an aid in the event of an uncertain engine ID. Further changes (e.g. oil pan enlargement shown) took place in the current series (and/or as a result of replacements), so a prior review is advisable.

	Washer, M12 cylinder head bolt	101822	€ 2,86		Valve spring, Outer	105811	€ 12,99
	Cylinder head gasket 280SL/SE late, brand REINZ-GL	201722	€ 79,08		ID 38,5mm, D 59; only fits orig metal snap cap	701355	€ 1,09
	N/A ! A1290740181	207140	N/A		Hose,90°, cyl.hd. cvr.250-280SL	209005	N/A
	Flange,isolating,250-280SL, re				Plug screw M18 e.g. pressure valve	218817	€ 8,98
	Seal ring, fits plastic oil filler caps, 47 x 59 x	701356	€ 1,87		Bolt 6x16 e.g. pan, in-hex	701319	€ 0,48
	Hollow screw e.g.M127 breather banjo	309898	€ 25,13	10	N912006006002	107079	N/A
10	Sump, upper section, 230late, 250/280, M127.010 fr	201209	N/A	10	fits small drain bolt (M12)	201214	€ 22,25
10	Washer 8,4mm, standard, yellow zined	299326	€ 0,39	11	A1301580315 Dist. bearing body, 280SL	215025	N/A
11	A1080100213 Oil pan, underpart, 230-250	201201	N/A	15	Cylinder block cover, 6-hole	201026	€ 2,08
17	Bolt M6 x 12 in-hex	299043	€ 0,36	17	Hexagon socket pipe plugs with taper fine pitch th	201005	€ 4,88
18	Sealing plate , 3 hole, 280SL	201027	€ 1,46	23	Dipstick pipe from 09.'68, to 218117	218114	€ 28,43
23	A1272000456 Fitting, oil heat exchanger	201006	€ 42,84	28	A1080100572 Dipstick 250SL late/280SL e	218116	N/A
28	A1270100866 Dipstick pipe, 230SL, FN	218113	N/A	29	Dipstick,280SL late, Repro, poor paint	218117	€ 29,93
29	A1270100472 Dipstick, 230SL, FN	218115	N/A	31	Plate , cover, gearbox case	225056	€ 33,97
32	A1102500156 Cover,transm,	225057	N/A	32			

	auto.,230-280						
32	Cover plate eng-to-autm flange early	225058	€ 95,72	33	Gasket,water valve cover, 6-hole	201029	€ 2,00
33	Sump plug, version inhex	299300	€ 4,76	34	Plug screw oil sump M12 (fits replaced pan)	299312	€ 1,32
34	Plug screw oil sump M12 (fits replaced pan)	299302	€ 0,81	35	Gasket, housing to engine	220014	€ 1,25
35	Gasket, thermostate	120011	€ 1,32	35	Sealing ring fits lage sump drain plug (M26)	299301	€ 0,31
36	Seal ring, sump plug	299303	€ 0,13	37	A1080110071 Bolt, Main bearing, (M130:2	203127	N/A
37	A1080110171 Bolt, Main bearing, (M130:1	203126	N/A	37	parallel pin, tolerance zone m6, 10 X 14	101190	€ 1,34
38	A1100520171 "Bolt,enginehsg.,if powerst	205099	N/A	38	A6150520171 Bolt, eng.block at chain dr	105099	N/A
39	alu seal ring M12, eg.eng.block @ chain	298712	€ 0,13	40	sealing ring, aluminium 30mm	215032	€ 0,81
40	A1080320315 Indicator, flywheel 230SL	203023	N/A	45	Plug screw M18 e.g. pressure valve	218815	€ 20,69
45	Plug screw M24 e.g. pressure valve	218816	€ 29,75	45	A1301800056 see 218816	218415	N/A
46	Seal Ring gear box drain plug	226047	€ 0,44	50	250 late = 129.982 man.from M..001176, Autom.from	201801	€ 16,61
50	230SL all, 250SL early (M129.982..10 -> 001175, 12	201800	€ 12,20	50	250 spät = 129.982 10 from M..001176, Autom. a	201001	€ 16,96
50	230SL all, 250SL early (M129.982..10 -> 001175, 12	201000	€ 18,59	51	Rear oil seal, 8 mm, from ca. 05.'61	205046	€ 8,71
52	45x67x8mm, no collar	303046	€ 12,20	52	45x67x72x12/13, ELRING	303946	€ 9,38
52	45x67x12/13mm, Version see Picture, M 108, 114	203046	€ 20,38	52	45x67x72x12/13, ELRING, collar half outer	203946	€ 13,55
54	Gasket, front engine cover	215824	€ 6,13	54	Gasket, front engine cover	215724	€ 4,02
56	Gasket, upr.filter hsg./engine	118008	€ 1,69	58	Gasket, injectuon pump->engine	207835	€ 1,15
59	Flange,isolating,250-280SL, genuine quality	207940	€ 31,25	61	Gasket, water cover M130 and M110, 3-hole	201028	€ 0,84
61	small cover gasket	201828	€ 0,99	63	A1369970041 Felt ring at dipstick	218118	N/A
64	O-ring, dip stick late (plastic handle)	218119	€ 0,62	70	m129 all, 127 SL only, D"2"=ca.1,8mm	201623	N/A
70	Cylinder head gasket 280SL, late M130.983-10 from	201622	€ 164,47	70	Set gasket rings	201199	€ 18,78
74	bracket, oil pipe M130 near pump flange	218286	€ 30,58	74	bracket, oil pipe, M130	218288	€ 30,58
78	Rubber grommet 11/30, blue silicon rubber	299517	€ 1,59	78	bracket, wire terminal at oil pan	215154	€ 30,58

03.a Crankshaft and Pistons

03.a Crankshaft and Pistons



	Rings per piston, Mahle 82V33+, 4rings	203001	€ 62,89		see 203091	203089	€ 69,39
	A1800302105 Flywheel, 230SL, FN . au.FN	203057	N/A		A1080300605 Flywheel, 250-280SL, man.	203060	N/A
	A1080311107 Counterweight, fr.,250-280S	203285	N/A		Piston ring set 82,50 mm, Mahle 3 ring	203003	€ 239,79
	A130030112001 Con rod 280SL/S/SE	203013	N/A		A1080300705 Flywheel, 250-280SL, auto.	203061	N/A
2	Ring gear, starter, all M127,129,130	203200	€ 54,92	3	Bolt, flywheel Autm. 129-130, 127FN	203027	€ 55,00
3	Flywheel stretch bolt	103029	€ 9,98	3	Bolt, flywheel, man.250-280 M12x20	203029	€ 26,86
4	Oil reject ring	103012	€ 7,79	5	Ring, spacer, 230-280SL	203045	€ 31,00
6	Crankshaft sprocket	103011	€ 32,67	7	disc, flywheel to autm drive 127FN,110	203105	N/A
7	A1080320106 Take-up disc 250-280SL	203106	N/A	8	Pilot bearing	103093	€ 11,31
9	Cover, pilot bearing	103094	€ 1,81	15	Rear oil seal, 8 mm, from ca. 05.'61	205046	€ 8,71
18	45x67x8mm, no collar	303046	€ 12,20	18	45x67x72x12/13, ELRING	303946	€ 9,38
19	45x67x72x12/13, ELRING, collar half outer	203946	€ 13,55	19	45x67x12/13mm, Version see Picture, M 108, 114	203046	€ 20,38
21	A1800310252 Shim, 5.75mm	203048	N/A	21	A1800310152 Shim, 5.6mm	203047	N/A
27	Washer	103083	€ 4,21	28	A1089910067 Woodruff key, c'shaft M110	703026	N/A
29	N308676018001	203071	N/A	29	Necked down bolt for crankshaft pulley	103085	€ 8,21
31	A1800300803 Balance wheel,230SL no pull	203069	N/A	32	A1080300303 "Flywheel w.damper 250/280S	203070	N/A
32	fly wheel extracting tool	258205	€ 308,20	36	A1272000505 Pulley, 230SL, no pas.	220035	N/A
37	A1084660515 Pulley, cs., pas.(single)	246107	N/A	38	In-Hex bolt e.g. pulley, 10.9 M8x65	203274	€ 1,33
39	N000007008244	203098	N/A	40	N000007008108	203099	N/A
45	Cs.bearing set 230SL 59.00mm	203040	€ 176,00	45	Cs.bearing set 230SL 59.25mm	203039	€ 163,86
45	Cs.bearing set 59.50mm M127	203038	€ 189,45	45	Cs.bearing set 230SL 59.75mm	203037	€ 190,00
45	Cranks.bearing set 60.00 , M127	203036	€ 199,99	50	Cs.bearing set 280SL 59.00mm	203124	N/A
50	Cs.bearing set 59.25mm, M129, M108	203118	€ 222,45	50	Cs.bearing set 59.50mm, M129, M108	203117	€ 233,00

50	Cs.bearing set 59.75mm, M130	203121	€ 176,00	50	Cs.bearing set 59,50mm, M130, ...	203122	€ 176,00
50	Cs.bearing set 59.75mm, M129, M108	203042	€ 182,07	50	Crank Shaft Bearing Set 280SL 60.00mm	203120	€ 229,00
50	Main bearg.set 59,50mm eg M130	203822	N/A	50	Cs.bearing set 60.00mm, M129, M108	203041	€ 176,00
50	3. Rep-Size A1300300340	203123	€ 176,00	50	Cs.bearing set 59.00mm, M129, M108	203119	€ 209,00
51	A1140309417	203050	€ 159,20	51	A1800307518 Piston,230SL FN 82.00mm St	203031	N/A
51	Piston,250SE/SEC/SL 82.00mm last on stock:Piston,230SL FN 82.00mm	203030	€ 300,01	51	Rest: Piston,230SL early, FN 82.50mm	203028	N/A
51	Piston,280SL Euro 86.50mm	203080	€ 171,18	51	A180030731854 Piston,230SL FN 82.50mm	203033	N/A
51	Piston for 230SL first generation, 83.00mm	203034	€ 386,75	51	Piston,250SE/SEC/SL 82.50mm	203052	€ 159,20
51	Piston,250SE/SEC/SL 83.00mm	203053	€ 155,18	51	Piston 230SL from FN, 83.00	203035	€ 712,31
51	A1300308917 Piston,280SL USA FN 86.50m	203081	N/A	51	Piston,280SL Euro, 87.00mm, Mahle	203084	€ 173,80
51	Piston,280SL Euro 87.50mm	203086	€ 160,98	51	Piston,M130 USA FN 87.00mm	203085	€ 124,91
54	Con rod br. set 48.00mm, M129...	203135	€ 163,86	54	Con rod br. set 230SL 47.25mm	203133	€ 163,86
54	Con rod br. set 250SL 47.75	203136	€ 163,86	54	Con rod br. set 230SL 47.75mm	203131	€ 163,86
54	A1080300260	203937	N/A	54	Con rod br. set 47.50mm, M127...	203132	€ 163,86
54	Con rod br. set 48.00 mm, M127...	203130	€ 163,86	54	Con rod br. set 280SL 47.00mm	203144	€ 163,86
54	Con rod br. set 47.50 mm, 280SL	203142	€ 163,86	54	Con rod br. set 280SL 47.75mm	203141	€ 163,86
54	Lagerschalen für gebrauchte Wellen im Standardmaß	203140	€ 163,86	54	Conrod bearg. set 47.50 mm, M129...	203137	€ 163,86
54	Con rod br. set 250SL 47.25mm	203138	€ 163,86	54	Con rod br. set 280SL 47.25mm	203143	€ 163,86
55	Piston pin bushing, 280SL	203014	€ 9,98	55	N/A A1270380050 Piston pin bush	203012	N/A
55	Conrod bushing 230SL Gen.1+2, rep-size	203022	N/A	55	230SL Gen 1+2, s A1080380350 Conrod bush 230SL gen.3, 250SL	203018	N/A
56	Big end bolt 230SL FN	203075	N/A	56	Stretch Bolt for connecting rods, 190, 230 up 4-6	103075	€ 11,65
56	A1080380271 Big end bolt 230SL FN 250-2	203015	N/A	57	A1080380272 Big end nut,230SL FN 250SL	203076	N/A
57	A1820380072 Nut for rod bolt	103076	N/A	57	A1080380172 Nut, con-rod bolt M12	203077	€ 4,76

03.b Info Pistons 230-280SL (R113)

03.b Info Pistons 230-280SL (R113)

Kolben 82-83mm, 230SL, 250SL, Ersatzteile heute, teils durch Ersetzung, Zwischenstufen (0.25) entfallen

	Version	von	Version	bis	Std-Maß	1. Rep.-Maß	2. Rep.-Maß	Bolzen	Kompr.-Höhe Bolzenmitte->Boden	Ringe
	10/12/20/22	lfd. Mot-nr.	10/12/20/22	lfd. Mot-nr.	82,00mm	82,50mm	83,00mm	mm	mm	
1. Generation 230SL	Schalter Autom.	06420 01311	Schalter Autom.	009301 002357	203030	203028	203034	24,0	42,2	4
2. Generation 230SL	Schalter Autom.	009302 002358	Schalter Autom.	010833 003010	203024	203043	203044	24,0	52,2	3
3. Generation 230SL	Schalter Autom.	010834 003011	Schalter Autom.	Ende Ende	203031	203033	203035	25,0	52,2 / 51,6 / 51,6 je -1,0 Absatz	3
250SL	M129.980/981/982 alle				203050	203052	203053	25,0	48,6	3

Kolben 86,5-87,5mm, 280SL, (S/SE auf Anfrage) Ersatzteile heute, teils durch Ersetzung, Zwischenstufen (0.25) entfallen

	Version	von	Version	bis	Std-Maß	1. Rep.-Maß	2. Rep.-Maß	Bolzen	Kompr.-Höhe Bolzenmitte->Boden	Ringe
	10/12/20/22	lfd. Mot-nr.	10/12/20/22	lfd. Motor-nr.	86,50mm	87,00mm	87,50mm	mm	mm	
280SL std. alle, 280SL USA 1. Generation	Schalter Autom.				004596 007229	203080	203084	25,0	49,2 / 48,6 / 48,6 je -1,3 Absatz	3
280SL USA 2. Generation	Schalter Autom.	004597 007230			203081	203085	203087	25,0	47,9	3

Die erhältlichen Kolben sind jeweils die letzte Version einer "Generation".
Mehrfache Änderungen haben speziell im 230SL zu einer Vielzahl veralteter
Kolbenbauarten geführt.
Der Ersatz kann Änderung der Verdichtung zur Folge haben.

Vor Bestellungen bitten wir um Angabe aller erkennbaren Maße und Zeichen
auf den ausgebauten Kolben.

The available pistons are always the latest version of a "generation".
The 230SL-engine had a couple of changes, which caused a high number of
obsolete piston designs.
The replacement may cause a different compression ratio.

Please send all visible signs and measures of the dismantled pistons.

Rest: Piston,230SL early, FN	203028	N/A	203024	-NL- Kolben 230SL mittl.Gen.	203024	N/A
82.50mm			82,00mm			
203028 A1270308517 Piston,230SL FN	203828	€ 297,49	203030	last on stock:Piston,230SL FN	203030	€ 300,01
82.50mm			82,00mm			
203031 A1800307518 Piston,230SL FN	203031	N/A	203033	A180030731854 Piston,230SL FN	203033	N/A
82.00mm St			82,50mm			
203034 Piston for 230SL first generation,	203034	€ 386,75	203035	Piston 230SL from FN, 83.00	203035	€ 712,31
83.00mm						
203043 NL: A1270300118 230SL mittlere	203043	N/A	203044	A1270300218 Piston 230SL	203044	N/A
Generation 82,50mm			mid.generation			
203050 A1140309417	203050	€ 159,20	203052	Piston,250SE/SEC/SL 82.50mm	203052	€ 159,20
Piston,250SE/SEC/SL 82.00mm						
203053 Piston,250SE/SEC/SL 83.00mm	203053	€ 155,18	203080	Piston,280SL Euro 86.50mm	203080	€ 171,18
203081 A1300308917 Piston,280SL USA	203081	N/A	203084	Piston,280SL Euro, 87.00mm,	203084	€ 173,80
FN 86.50m			Mahle			
203085 Piston,M130 USA FN 87.00mm	203085	€ 124,91	203086	Piston,280SL Euro 87.50mm	203086	€ 160,98
203087 Piston M130 USA late, 87,50mm	203087	€ 135,66	203088	-N/A- piston M130 88.00mm,Mahl	203088	N/A

03.c Info Piston Ring Enquiry

03.c Info Piston Ring Enquiry



Hinweis zur Anfrage von Kolbenringen How to require piston rings

Kolben-Identifizierung allein anhand von Motordaten ist leider nicht möglich.

Eine Bestellung von Kolbenringen erfordert deshalb zwingend diese Angaben:

Piston identification and piston ring order necessarily needs following data:

Kolbenhersteller
Piston manufacturer



Zahl der Ringe
No. of rings

Wichtig:
Guss-Nummer
/Typ Nummer

Important:
cast- / type no.



Im Normalfall wird ein Satz Ringe PRO KOLBEN angeboten. (IN SONDERFÄLLEN sind auch Sätze PRO MOTOR möglich.)
Usually rings are offered for 1 piston. (SOMETIMES rings for 1 engine can be offered.)

Tipp zur Motorinstandsetzung:
beginnen Sie keine Bearbeitung von Oldtimer-Motorblöcken bevor ein Vergleich der Altteile und Neuteile stattgefunden hat.
Bekannte Schwierigkeiten:
- Liefersituation kann unzuverlässig sein
- Rep.-Maße nicht lückenlos erhältlich
- Produktions-Soll-Maße können leicht schwanken
- alter Motor enthält Fremdbauteile
- Bauart ersetzter Teile weicht ab.
Ihr professioneller Motoreninstandsetzer ist mit der Situation vertraut und kann nach Befund eine Empfehlung aussprechen. Zur Ermittlung von Reparaturgrößen können Probearbeiten nötig sein. Umtausch nicht möglich, wenn Teile oder Verpackungen beschädigt sind.

Hint for engine recondition:
Please don't start any work on your vintage engine blocks before comparing the old to the new parts.
Known difficulties:
- Delivery situation might not be reliable
- Not all repair measures are available
- Production measures may differ
- Type of replaced parts may differ
Your professional engine-workshop is familiar with the situation. After compliance status he can recommend what to do. To find out the right repair measures it might be necessary to do test works. Return/exchange is not possible if parts or packaging is damaged.

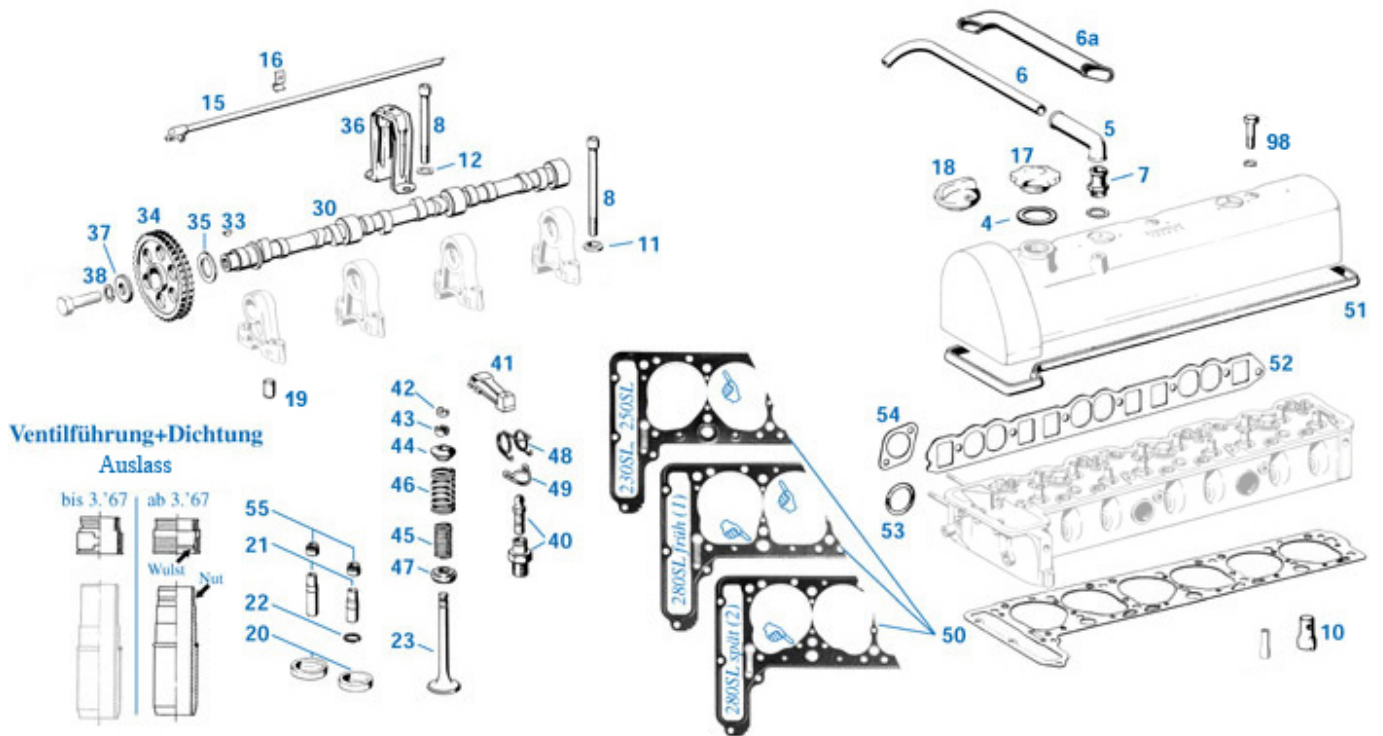
Motor: 280SL USA 1971
-Nr: 130.983-12-023456

Besonderheit: Zylinderbohrungen und Pleinflächen vormals bereits nachgearbeitet

alte Kolben Ident	Mahle 86V16, 3 Ringe	Felder für Sachbearbeiter	130 030 9017
Kolbenmaß	87,00mm	ex A 000	030 8824
Bestellwunsch	Ringe alle 6 Kolben	SLS 203094	

Eng.-Kit Ringe 83.00 6x3 rings	203004	€ 256,29	Rings per engine, 82,50mm, 6x3rings	203108	€ 243,80
Engine-set Pistonrings 82.00 fits 82V37 Mahle 3 ri	203102	€ 327,25	Ringe pro Kolben 87,50 für 86V13	203896	N/A
Rings per motor 87,00 4 pcs/piston	203093	€ 356,31	see 203091	203089	€ 69,39
Piston ring set 82,50 mm, Mahle 3 ring	203003	€ 239,79	Rings per engine, 82,50, to 82V33	203806	€ 287,55
Rings per piston, Mahle 82V33+, 4rings	203001	€ 62,89	Rings per engine, 82.50 eg. Nüral 3-R	203807	€ 218,79
Rings per engine, 82.00, to 82V33	203805	€ 287,55	Piston ring set 87.00mm f.Mahle, per ca	203195	€ 275,04
Rings per engine 83.00"82V59" fits Mahl	203109	€ 287,55	set piston rings 83.00 for 81V8	203107	€ 221,99
-> 203805	203005	N/A	Rings per piston 82.50 fits Mahle 82V36	203104	€ 32,51
Pistonrings 87,50	203097	€ 300,05	rings per piston, 87.50, fits 86V16 3-R	203096	€ 69,39
Piston ring set 280SL FN 87.0	203095	€ 68,76	Ringe pro Motor 86,50 M130, 4 pro Kolbe	203092	€ 369,99
Rings for 1 piston 86,5mm M130 Mahle 86V..	203091	€ 56,26	Rings per engine 82.00, e.g. 82V36	203020	€ 216,81
Piston ring set 82.00mm f.Mahle, per ca	203010	€ 242,70	Ring set per engine, fits 82.00mm NÜRAL	203008	€ 199,99
Piston ring set 230SL FN,82.50, 1car	203007	€ 218,79	Rings per piston, fits 82.5 Mahle 4-R	203006	€ 65,45

05.a Cyl.Head, Camshaft, Valves



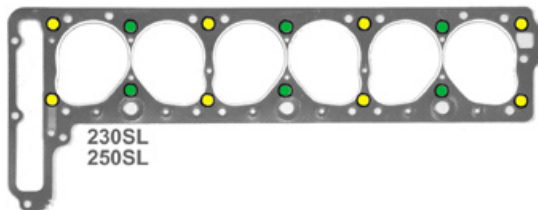
N/A ! - A1150500027 -Valve, Exhaust, M129/130,	205141	N/A	Valve seal outlet 230SL	205986	€ 17,24
Breather tube 220SE-230SL early	309007	€ 109,28	Bolt DIN 961 M12x1,5, Länge 18	205098	N/A
Inlet valve, 230SL	205002	N/A	Valve stem seal, inlet 230-280	205885	€ 1,36
InHex bolt, 112.9, M8x20, i.e. head frt	201113	€ 1,89	A0000531958	205985	N/A
A6159970072 Spigot, engine ventilation	209010	N/A	A1270160460 Distributor, water, small	201160	N/A
see 205880	205280	N/A	Set CS bearings, fits repair size -0.25	205121	N/A
Bolt, version 48,5mm, for div. guide rails	105830	€ 12,25	A1301800227 Oil pipe 130.980 from FN	805043	N/A
Tube, eng breather 1965/1966	309009	€ 74,29	Tube, eng. breather early	309008	€ 115,00
N/A Water distributor, size m	201161	N/A	A1150500027 Outlet valve 250S-280S/SE/S	205041	N/A
Valve lock, 1 hal, ->'67	105046	€ 6,00	Hex bolt M8 x 30	915057	€ 1,14
Tube, eng breather 1965/1966	309809	€ 85,20	Auslassventil 230SL Aftermarket, ungef.	205803	N/A
Rep.kit valve seals 250/280SL , 3.67 ->	205089	N/A	Plug screw, in-hex-key version: 130.980/984 from F	899016	€ 31,65
stud 8x18, e.g. camsh. supports @ head	201918	€ 1,25	Tube, eng breather 1965/1966	309009	€ 74,29
Plug screw, outer hex-key version: earlier than In	299016	€ 32,13	M130 alle, M108,110,129 bitte Motornummer angebe	205090	N/A
A1290161620 Head gasket 230-250SL NV/rep	201025	N/A	Cylinder head 250SL, needs finish	201217	N/A
1 A1300101821 Cylinder head 280SL USA, late, M130.98	201218	N/A	1 A1300106720 Cylinder head 280SL, late	201216	N/A
1 A1300102620 Cylinder head 280SL, early	201213	N/A	1 A1270105220 Cylinder head 230SL	201210	N/A
2 A1300100330 Cylinder head cover 280SL	201211	N/A	4 ID 46,5, OD 65	101055	€ 4,30
4 Seal ring, fits plastic oil filler caps, 47 x 59 x	701356	€ 1,87	4 ID 38,5mm, D 59; only fits orig metal snap cap	701355	€ 1,09
5 Engine ventilation	209805	€ 5,02	5 Hose,90°,cyl.hd. cvr.250-280SL	209005	N/A

6	Protection sleeve for breather + for water pipe	209006	€ 13,46	6	A1270940491 Hose,90°,cyl. head cover,23	209023	N/A
6	Breather Plastic Tube A1290160030	209807	€ 24,51	7	Hollow screw e.g.M127 breather banjo	309898	€ 25,13
7	Seal ring 18x22 Al	109019	€ 0,94	7	threaded fitting, hood to breather hose	209810	€ 20,00
8	cylinder head bolt 114mm, M12	201114	€ 6,44	8	N/A Cylinder head bolt 144mm	701144	N/A
8	Cylinder head bolt 105mm for engine M121 921,127,1	101105	€ 5,99	8	cylinder head screw 140mm	201140	€ 9,98
10	A1270160860 Distributor, water, large	201162	N/A	11	Washer, cylinder head bol	101022	N/A
11	Washer, M12 cylinder head bolt	101822	€ 2,86	12	A1100160476 Shim, cyl. head bolt	201122	N/A
15	Oilpipe above camshaft W113 all	205043	N/A	16	Clamp, e.g. oil-pipe, wires	199025	€ 4,59
17	A1365010054 Oil filler cap	250101	N/A	18	Oil filler cap, metal/snap-on	250702	€ 12,85
18	Oil filler cap,	250802	€ 10,95	18	Brand: FEBI	250102	€ 3,74
19	cylindrical bolt 8 x 12, cam stands, crank frt	299917	€ 0,69	20	A1230530132 Valve seat ring, outlet, st	205102	N/A
20	A1080530131 Valve seat ring,inlet,rep.s	205101	N/A	20	A1080530031 Valve seat ring, inlet, std	205100	N/A
20	N/A ! Valve seat ring,outl.,rep.size 42,3	205105	N/A	20	A1800530732 Valve seat ring 230SL otl.	205106	N/A
21	Valve guide inlet 14.031 mm	205230	€ 12,02	21	Valve guide inlet 14.20 mm	205240	€ 18,21
21	Valve guide inlet 14.40 mm	205250	N/A	21	see 205890	205290	N/A
21	Valve guide outlet 15.031 mm M129/130	205370	€ 14,10	21	Valve guide outlet 15.20 mm M129/130	205380	€ 12,74
21	Valve guide outlet 14.20 mm M127	205880	€ 25,64	21	Valve guide outlet 15.40 mm M129/130	205390	N/A
21	Valve guide outlet 14.018 mm M127	205870	€ 17,26	21	Valve guide outlet 14.40 mm M127	205890	€ 17,85
21	see 205370	205970	N/A	21	see 205870	205270	N/A
22	N009045014000	205091	N/A	23	Valve, inlet, 220SEb, 230SL, Aftermarke	205902	€ 24,50
23	Inlet valve 250S-280S/SE/SL	205031	€ 29,99	23	Exhaust valve, 230 SL, Na filled	205003	€ 35,08
23	Valve, Exhaust, M129/130, brand "Freccia"	205741	€ 21,42	30	Camshaft 230SL, .."8401"	205700	€ 699,95
30	A1140510501 Camshaft 280SL/SE USA late	205115	N/A	30	A1800510835 Camshaft 280SL USA early	205015	N/A
30	Camshaft 250S/SE/SL	205008	N/A	30	A1140510201 Camshaft 280SL Euro FN	205009	€ 799,00
30	Camshaft 230SL	205000	€ 800,00	31	A1145860405 Plain c'shaftbr.set280SL(4,	205120	N/A
31	A1300500097 Camshaft bearings M130-FN,	205110	N/A	31	A1305860005 Camshaft br.set 230-280 /S/	205030	N/A
33	woodruff key, standard, 4mm	205077	€ 1,00	33	A6219910067 Woodruff key, 10° cs.	205081	N/A
33	A6219910167 Woodruff key, 8° cs.	205080	N/A	33	A6219910267 Woodruff key, 6.5° cs.	205079	N/A
33	A6219910467 Woodruff key, 4° cs.	205078	€ 13,99	34	Camshaft sprocket M121,127,129,130,.. FEBI	105001	€ 24,15
35	Spacer 2.7 mm behind camshaft sprocket	205818	€ 17,50	35	spacer, camshaft, 2.75mm	205018	N/A
36	A1150160038 Clamp, valve cover to cyl.h 8.61->	205044	N/A	37	Disc to screw camshaft sprocket	105821	€ 9,52
37	Shim, camshaft sprocket	105021	€ 3,93	38	Spring washer 14mm e.g. cam wheel	105028	€ 0,55
40	Rocker arm pin, 190,230,250, Repro	205842	€ 62,00	40	Pin bolt for valve rocker, from M130	205839	€ 62,00
40	see 205842	205042	N/A	40	see 205839	205039	N/A
41	M: 108, 110, 114, 115, 123, 928, 127, 129, 130,180	205840	€ 23,21	41	M: 108, 110, 114, 115, 123, 928, 127, 129, 130,180	205040	€ 25,36
42	Thrust piece 3.5mm	205037	€ 27,13	42	Thrust piece 4.5mm ->5.69 (FN)	205036	€ 25,89
42	Thrust piece 2.5mm	205038	€ 19,93	42	Shim 280SL late, 4.5mm = standard	205047	€ 32,94
42	Shim 280SL FN 3.5mm	205048	€ 32,00	42	Shim 280SL FN 2.5mm	205049	€ 33,62
43	Valve collet, 1 half, '67-> (from 250)	205035	€ 0,65	44	A1300530425 Spring retainer	205012	N/A
44	A1270530125 Spring retainer	205007	N/A	45	Valve spring inner, 230SL	205005	€ 43,98
45	A1080530022 Inner valve spring, 280SL U	205133	N/A	45	A1300530022 Valve spring in. 250-280SL	205033	N/A
46	Valve spring 230SL, outer	205006	€ 34,32	46	Valve spring 230SL, outer	205806	€ 29,99
46	A1100530120 Valve spring ot. 250-280SL	205034	N/A	47	Rotocap' 250-280SL	205032	N/A

47	A0000530235 'Rotocap'230SL	205004	N/A	48	A1809931225 Spring, rocker arm	299014	N/A
49	Spring, rocker base bolts ->'67	105029	€ 8,98	49	Spring, circular, 280SL	299015	€ 36,50
50	m129 all, 127 SL only,	201623	N/A	50	Cylinder head gasket 280SL/SE	201722	€ 79,08
	D"2"=ca.1,8mm				late, brand REINZ-GL		
50	Cylinder head gasket 280SL, late	201622	€ 164,47	50	m129 all, 127 SL only,	201723	€ 78,27
	M130.983-10 from				D"2"=ca.1,8mm		
50	m129 all, 127 SL only,	201023	€ 85,79	50	Cylinder head gasket 280SL, early	201021	€ 68,44
	D"2"=ca.1,8mm				M130.983-10 up t		
50	Cylinder head gasket 280SL, late	201022	€ 80,30	51	Gasket, valvecover engine M127 -	201099	€ 14,28
	M130.983-10 from				130E		
52	Gasket Intake/Exhaust M127-130,	249990	€ 14,54	52	Manifold Gasket M127-130	249090	€ 14,40
	ELRING				"REINZ"		
53	O' Ring tensioner to head	205135	€ 0,55	54	Gasket, thermostate	120011	€ 1,32
55	Valve stem gasket set 129+130,	205790	€ 23,53	55	Valve seal, inlet, M127 - M130	205085	€ 1,84
	brand Elring						
55	Valve seal, outlet, 230SL	205086	€ 4,41	55	A0000530758 Valve seal, outlet,	205087	N/A
					250-280		
98	Copper seal ring M8, filled	299305	€ 1,09	98	Bolt M8 X 28, Valve covers, torsion	205053	€ 5,24
					bars, ref.-No.		

05.b Zyl.Kopfschrauben Info

05.a Zyl.Kopfschrauben Info

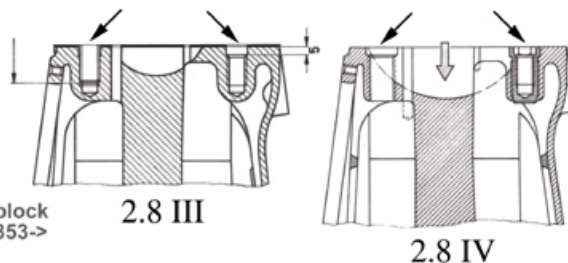
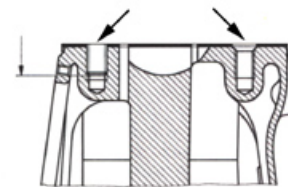
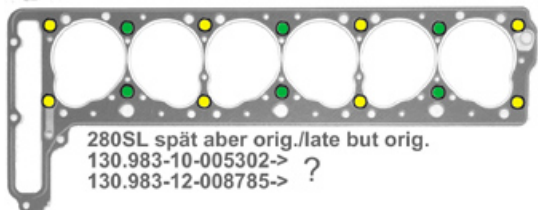
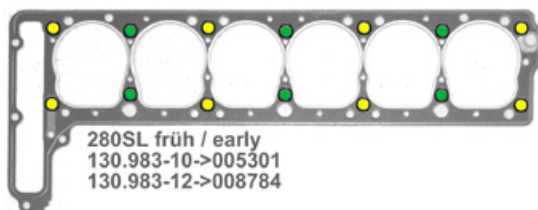


- 105mm = SLS [101105](#)
- 140mm = SLS [201140](#)
- 114mm = SLS [201114](#)
- 144mm = SLS [701144](#)



Bauart der Schrauben: siehe Produktbilder
Anzugsmomente: Werkstattliteratur und
Angaben der Kopfdichtungs-Beilage beachten

Bolt design see product illustration,
torque see workshop manual and
head gasket product info

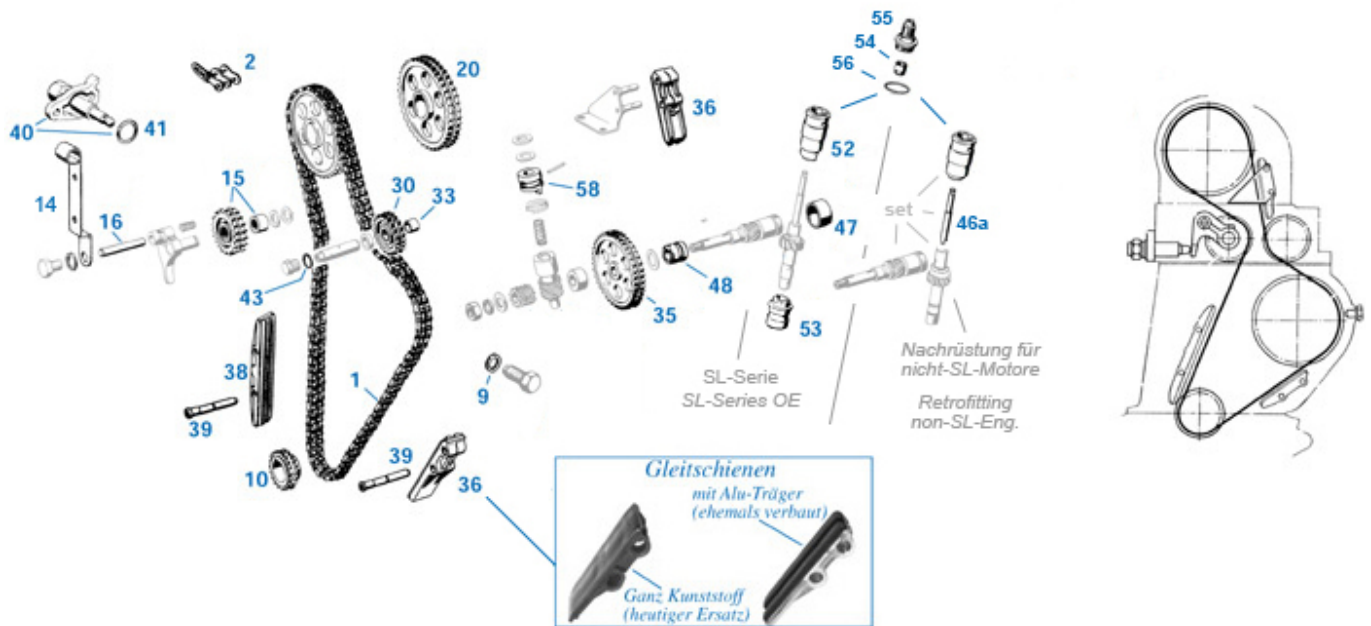


* der Einsatztermin im 280SL ist widersprüchlich: MB-Ersatzteilliteratur: "nicht .983", MB-Werkstattlit: "auch SL ab FG 016450".
Da auch SE-Motoren eingebaut sein können, empfehlen wir Prüfung der tats.Gewindetiefe.
implementation date of this change is uncertain: MB-parts manual: "not .983", MB-workshop manual: "used in SL from ch.016450".
We recommend to check the real thread depth.

N/A	Cylinder head bolt 144mm	701144	N/A	113	Washer, M12 cylinder head bolt	101822	€ 2,86
105	Cylinder head bolt 105mm for engine M121 921,127,1	101105	€ 5,99	113	InHex bolt, 112,9, M8x20, i.e. head frt	201113	€ 1,89
113	InHex bolt 12,9, M8x30, sump, ...	118018	€ 2,05	114	cylinder head bolt 114mm, M12	201114	€ 6,44
140	cylinder head screw 140mm	201140	€ 9,98	145	Head bolt 145mm, early style	201145	N/A

05.c Timing Chain

05 Timing Chain



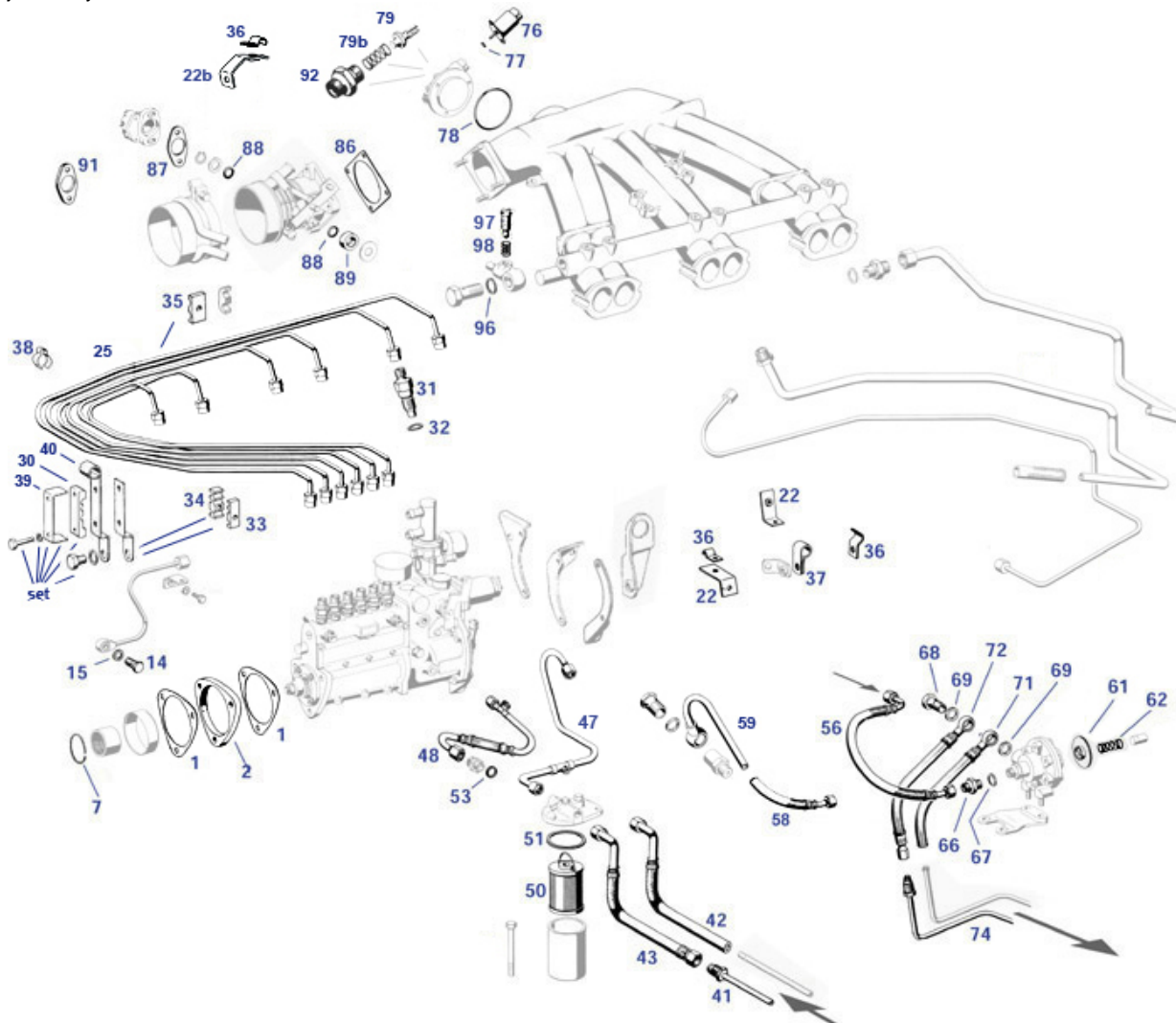
	sealing ring, aluminium 30mm	215032	€ 0,81	Rocker arm pin, 190,230,250, Repro	205842	€ 62,00
	Pin	705804	€ 13,76	M: 108, 110, 114, 115, 123, 928, 127, 129, 130,180	205840	€ 23,21
1	see 105830 Roller chain, with connector	105030 299013	N/A € 57,47	2 Plug screw M24 e.g. pressure valve	218816 199013	€ 29,75 € 2,55
8	A1100520171 "Bolt,enginehsg.;if powerst	205099	N/A	8 A6150520171 Bolt, eng.block at chain dr	105099	N/A
9	alu seal ring M12, eg.eng.block @ chain	298712	€ 0,13	10 Crankshaft sprocket	103011	€ 32,67
14	Bracket, pipe bundle and eng.hangup	220074	€ 26,60	15 Tensioner sprocket+bushing, Repro	105002	€ 156,95
16	A1270520174 Br. Bolt, chainguide, long	205014	N/A	16 Shaft for lever, tensioner	205814	€ 10,00
17	A1210501510 Arm, tensioner	205016	N/A	18 retaining rings for shafts 20 X 1,2	299498	€ 0,26
19	Spring	299113	€ 8,09	20 Camshaft sprocket M121,127,129,130,.. FEBI	105001	€ 24,15
30	Sprocket, offset incl.205026	205025	€ 110,04	32 Bolt, offset sprocket	205024	€ 74,85
33	A1270520050 Bush, offset sprocket	205026	N/A	35 Intermediate chain gear	205822	€ 165,40
36	fits: 1x in 121.921 , 2x in 121.928 others ..	105006	€ 189,97	36 M921: 1x; M928 2x; R113:2x,	205010	€ 3,00
37	A1270500141 Bracket, chainguide, upper	205023	N/A	38 Chain guide, long, alu base	105004	€ 145,92
38	many R47R6 engines, lower RH position	205029	€ 3,67	39 Bolt, version 48,5mm, for div. guide rails	105830	€ 12,25
40	A1300500311 Chain tensioner, orig.MB	205930	N/A	40 Chain tensioner	205130	€ 285,60
41	O' Ring tensioner to head	205135	€ 0,55	42 A1301800056 see 218816	218415	N/A
43	Seal Ring gear box drain plug	226047	€ 0,44	45 A1300500406 shafts,pair, orig.SL 3rd.ge	205019	N/A
45	drive pin, rev-ctr, only fits at 205719	205819	€ 63,55	45 A6210500506 shafts,pair, SL 1st gen.	205119	N/A
45	A1300500206 shafts,pair, SL 2nd gen.	205219	N/A	46 N/A Shafts, pair, fits 205819+218489	205719	N/A
46	A1300500306 gear pair e.g. ...980 (limo	205013	N/A	47 Bush, timing, rear	205027	€ 7,90
48	Bushing, intermediate sprocket shaft	205020	€ 59,98	50 Ring,timing gear	205021	N/A

51	A1261580207 Gear, bevel,timing	205028	N/A	52	thrust bearing, full length 56,9mm	218489	€ 101,39
52	thrust bearing Length 57,3mm	218410	€ 94,01	52	Tthrust bearing, L 62,37mm	218409	€ 69,20
53	Bearing,thrust, lower	218411	€ 88,77	54	Seal ring speedo/rev drive	126039	€ 4,88
55	ring, upper shaft	218417	€ 8,94	55	Threaded bushing connects, rev. ctr.	205050	€ 94,62
56	O-ring, eng. housg	218412	€ 0,55	57	A1271580112 Helical gear, dist. shaft	215035	N/A

07 Mech.Injection, Air Intake, ...

07.a Injection System

07.a Injection System

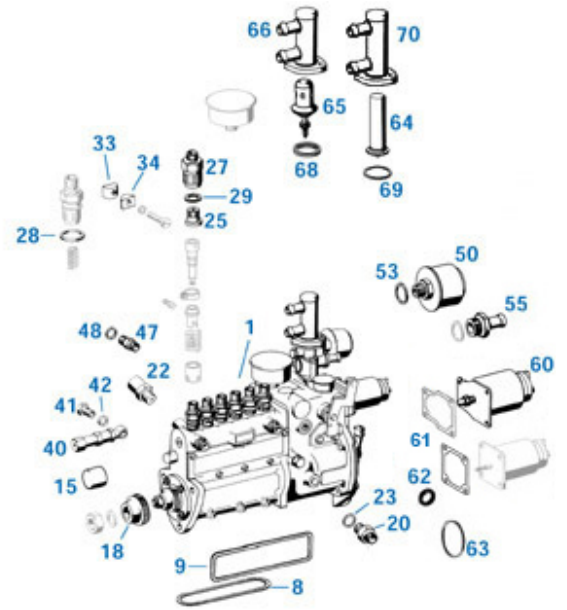
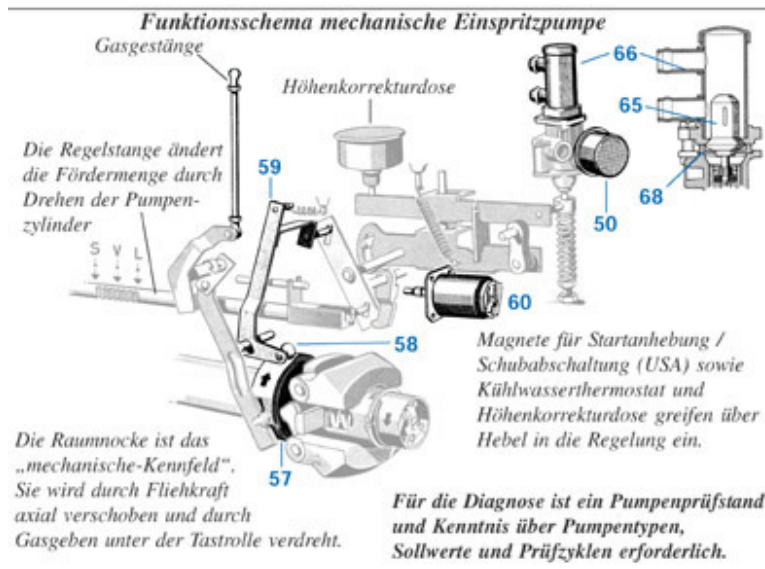


	A1300700040 Bracket, 280SL early type	207210	N/A		see 207803	207103	N/A	
	A6210770016 Coupling sleeve,injection	207143	N/A		N/A ! A1290740181 Flange,isolating,250-280SL, re head: shape non original to MB127-130, M14x1,5 th	207140 907125	N/A	
	A1290740053 Spacer,injection,250-280SL	207138	N/A		Bolt DIN 961 M12x1,5, Länge 18	205098	N/A	
	A1890700295 Fitting, idler air adjuster	214075	N/A		A1890700740 Bracket,fuel damper at supp	207175	N/A	
	A1270701168 Housing,fuel pressure dampe	207102	N/A		nla, replaced into 247819	247019	N/A	
	Oil line bracket 280SL late	207076	N/A		A1134760501 Ret.fuel line, 230SL ->0130	247025	N/A	
	A1134760301 Sup.fuel line, 230SL ->0130	247024	N/A		A1290700632 line, from ca.'67	247119	N/A	
	see 247104	299104	N/A		Gasket, injectuon pump->engine	207835	€ 1,15	
	Pipe,ff - fp.250-280SL, flexible section	247719	€ 69,00	1				
2	Flange,isolating,250-280SL, genuine quality	207940	€ 31,25	2		Flange,isolating, M127, genuine quality	207942	€ 36,34
7	Ring, spacing,inj. Pump	235034	€ 1,64	14		Hollow screw, air venting	220010	€ 2,48
15	Sealing ring ID8, eg. for hollow screw	220011	€ 0,10	20		A1300760142 Bracket, outer, inj.pump	207200	N/A
22	A1300700740 Bracket, start-inj. line	207077	N/A	22		bracket for tube clamp at throttle housg	214207	€ 30,58
25	exception with 230SL: cold start	207805	€ 599,99	30		Rubber pad,bracket,fr.,inj	207157	€ 6,63

	line not M127						
31	Injector 230SL, 250+280SE/SL	207104	€ 241,99	32	Copper seal ring	207115	€ 0,18
33	Pipe support,inj., (4 pipes)	207011	€ 16,02	33	metal spacer, fuel pipe mount, 3-notch	207012	€ 22,29
34	Bolt "long", pipe mounts (M5x30)	207030	€ 1,76	34	Plastic spacer, inj. pipe supports	207009	€ 24,99
35	Bolt "short", pipe mounts (M5x18)	207018	€ 1,31	35	half clamp, metal, 2-lines-mount	207008	€ 7,59
36	Clamp 5mm e.g. brake lines	143038	€ 0,50	36	Clamp, rear floor, fits 6mm wire or pipe	242059	€ 3,99
37	Bracket clamp, warmup air pipe, waterp.	220087	€ 2,84	38	Spring clip,vac. pipe to fuel line	299471	€ 15,15
39	Spring washer M5	299325	€ 0,11	39	clamp at pipe-support	220076	€ 8,35
40	Bracket, pipe bundle and eng.hangup	220074	€ 26,60	41	Fuelfeedline230-280SL	247032	€ 115,00
41	A1134700164	247932	N/A	42	Hose clamp 15mm	947997	€ 3,09
42	Hose,ff.,230SL to vn.013014, W111, ..	247002	€ 44,95	43	Hose,ff.,230SL FN ,250-280SL	247003	€ 86,28
47	Feed pipe 230SL, Filter to Pump, ref.-No. A1270900	207145	N/A	48	Tube studs w. fittings for 1290700632	247819	€ 34,93
50	Filter element R113+M110 early	247701	€ 9,00	51	Sealing ring, fuel filter	247020	€ 0,92
52	N000931008251	247056	N/A	53	Seal ring 14mm Alu	207186	€ 1,08
56	Fuel hose, return way	247104	€ 83,00	57	A0009901063 Hollow screw, fuel line	207165	N/A
59	Banjo Fitting 230SL up to vn 010687	247018	€ 95,00	61	diaphragm for damper, fuel return	207803	€ 33,20
62	coil spring, damper, fuel return	207804	€ 20,00	62	A1279930001 Pressure spring, vapour tra	299000	N/A
63	A1863000274 Plug,fuel pressure damper	207118	N/A	66	N915006006003	207177	N/A
67	Seal ring e.g. fuel damp housg	207178	€ 1,46	68	Hollow screw, M14 x 1,5	207276	€ 2,34
72	Flexi Fuel Line for Injection Damper Cage - 250/28	247017	€ 49,98	74	Return fuel line about 300 cm	247027	€ 101,95
74	A1134700264	247927	N/A	76	Solenoid,cst. valve(1 pole)	214014	€ 238,00
77	Seal ring,cst. valve solenoid	214022	€ 1,96	78	gasket 280 from large manifold	214026	€ 3,57
78	Sealing ring, cst. control	214013	€ 1,96	79	valve needle cold start valve, brass, 6mm	214822	€ 27,91
79	spring for valve needle cold start valve,	214823	€ 4,40	80	A1290700081 Airpipe, cs.,additional	207150	N/A
82	A1270700932 Line,fuel,240SL, cst. valve	207130	N/A	82	A1300700132 Line,fuel,250-280SL cst.val	207120	N/A
86	Gasket, throttle flap housing	214012	€ 7,60	87	Gasket,idler switch,metal	214780	€ 3,69
87	Gasket,idler switch,metal	214080	€ 3,69	88	O'ring,throttle flap shaft, M127/M100	214070	€ 2,20
89	Sealing ring,throttle shaft	143005	€ 4,93	91	Cap, throttle flap shaft	214074	€ 55,22
92	fitting with strainer, cold start valve	214829	€ 80,50	96	Copper ring 18mm	214079	€ 0,24
97	Idle air screw 127.981 up to FN	214036	€ 36,03	97	Idle air screw M127 from FN, M129, M130	214016	€ 44,80

07.b Injection Pump

07.b Injection Pump

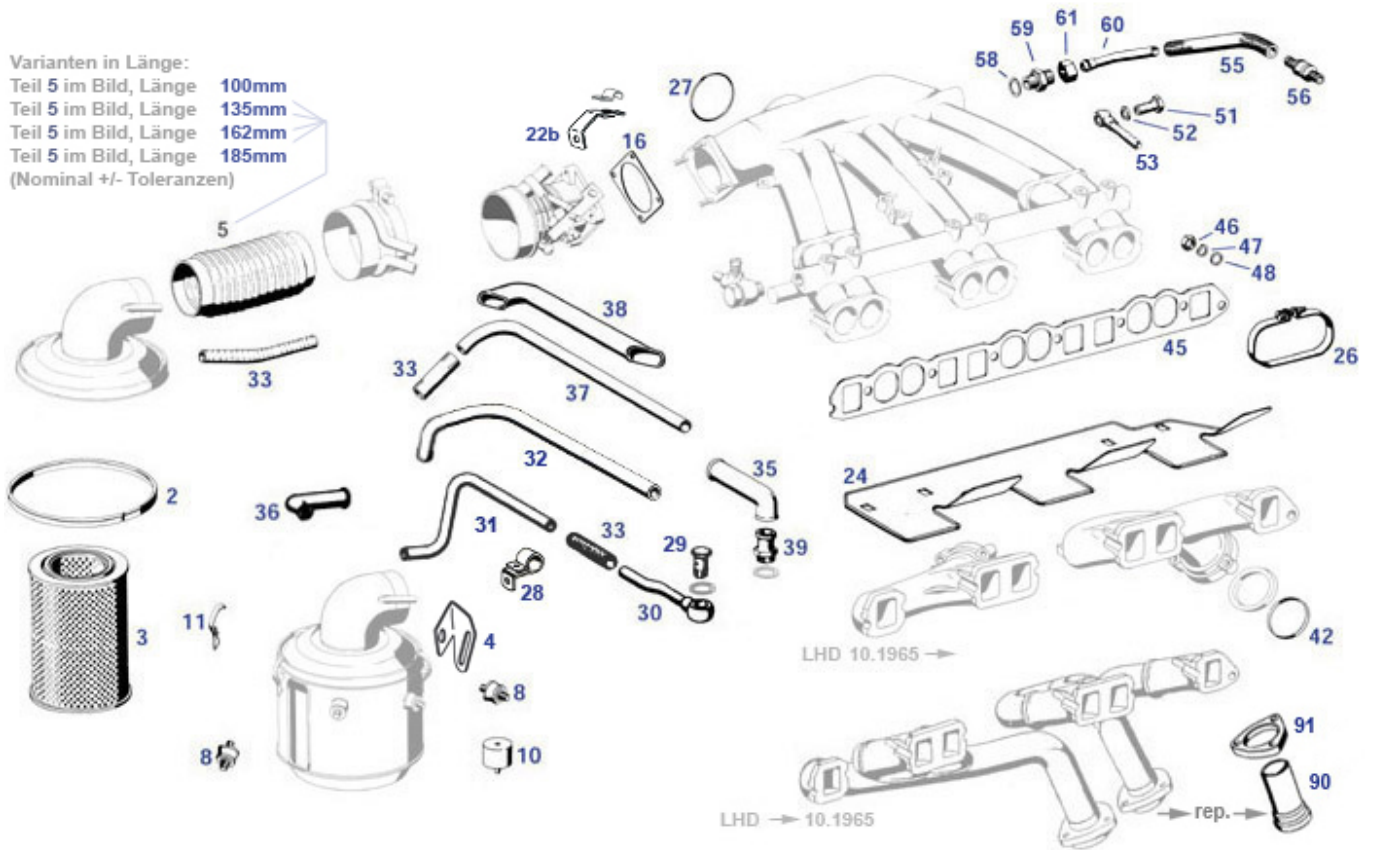


	Thermostat,inj.,'67->, incl. steel seal	207821	€ 47,60		Flange,isolating,250-280SL, genuine quality	207940	€ 31,25
	Flange,isolating, M127, genuine quality	207942	€ 36,34		valve needle oiler valve, steel, 5mm	214821	€ 23,12
1	Overhaul Service Inj-Pump	207111	N/A	8	A0000749080 Gasket,inject pump,side	207136	N/A
8	A0000741659 Gasket,injectn, base cover	207134	N/A	8	fits engines 250-280	207280	€ 144,88
8	Gasket Kit Inj-pump PES 6KL for engines "300" and	207230	€ 160,20	15	Plug	207185	€ 65,00
18	A6210770009 Follower,injection pump	207131	N/A	20	A0000741884 Threaded fitting w. valve	207184	N/A
20	A0000742284 Threaded fitting with valve	807184	N/A	22	A0000741184 Valve,overflow,to fpd. 230S	207170	N/A
25	A0000741715 Ball pressure valve,250-280	207128	N/A	27	Rest: threaded fitting M130 injection, simplified	207129	€ 23,80
27	A0000781269 Threaded valve-support	207144	N/A	28	A0029971740 Seal ring 230SL Ret-valve	207148	N/A
29	A0019973040 Seal ring, ret valve	207179	N/A	33	A0000781335 Locking bracket, ret.valve	207173	N/A
34	A0000781435 Locking bracket, ret.valve	207174	N/A	40	check valve, 230SL injection pump oil circuit	207139	N/A
41	A0000746671 Hollow screw	207190	N/A	42	Sealing ring ID8, eg. for hollow screw	220011	€ 0,10
47	A0000741486 Threaded bushing, inject. p	207159	N/A	48	Seal ring 10x13,5, Alu, e.g. sender, hollow bolts	227023	€ 0,50
50	Air cleaner, 230SL 14mm/Hex19, inj. pump	207901	€ 37,84	50	A0000750632 Air cleaner, 230SL 14mm, in	207001	N/A
50	Air cleaner, M18/hex22 (Inj.p. M129/130E)	207114	N/A	53	Seal ring 14mm Alu	207186	€ 1,08
53	Seal ring 18x22 Al	109019	€ 0,94	55	Fitting for air hose	207181	€ 16,09
57	Inj. control cam, 'R28'	207069	N/A	57	Bosch 1422200035 control cam, 'R24W'	207065	N/A
57	Cam, space, inj.	207060	N/A	58	Roller, sensing, inj.	207051	N/A
59	Lever, without roller, inj.	207050	N/A	60	Solenoid,fuel injection	207112	N/A
61	Gasket, start Solenoid	207824	€ 10,89	61	Gasket, start Solenoid	207124	€ 10,89
62	Seal ring, ACC shaft/Inj-pump	207152	N/A	63	Gasket kit regulator housing PES A0012036175	207281	€ 78,03
63	Gasket, Pump housg. rear	207153	N/A	64	Thermostat,inj.,230SL	207119	N/A
65	Thermostat,inj.,'67->, incl. steel seal	207121	€ 185,46	66	Housing,Thermo,inj.,250-280SL	207122	€ 210,94
68	Ring, seat, fits thermostate 207121	207151	€ 35,99	69	Seal ring f. bolt 705004	705005	€ 0,68

09 Air-Intake and Aircleaner

09 Air-Intake and Aircleaner

Varianten in Länge:
 Teil 5 im Bild, Länge 100mm
 Teil 5 im Bild, Länge 135mm
 Teil 5 im Bild, Länge 162mm
 Teil 5 im Bild, Länge 185mm
 (Nominal +/- Toleranzen)



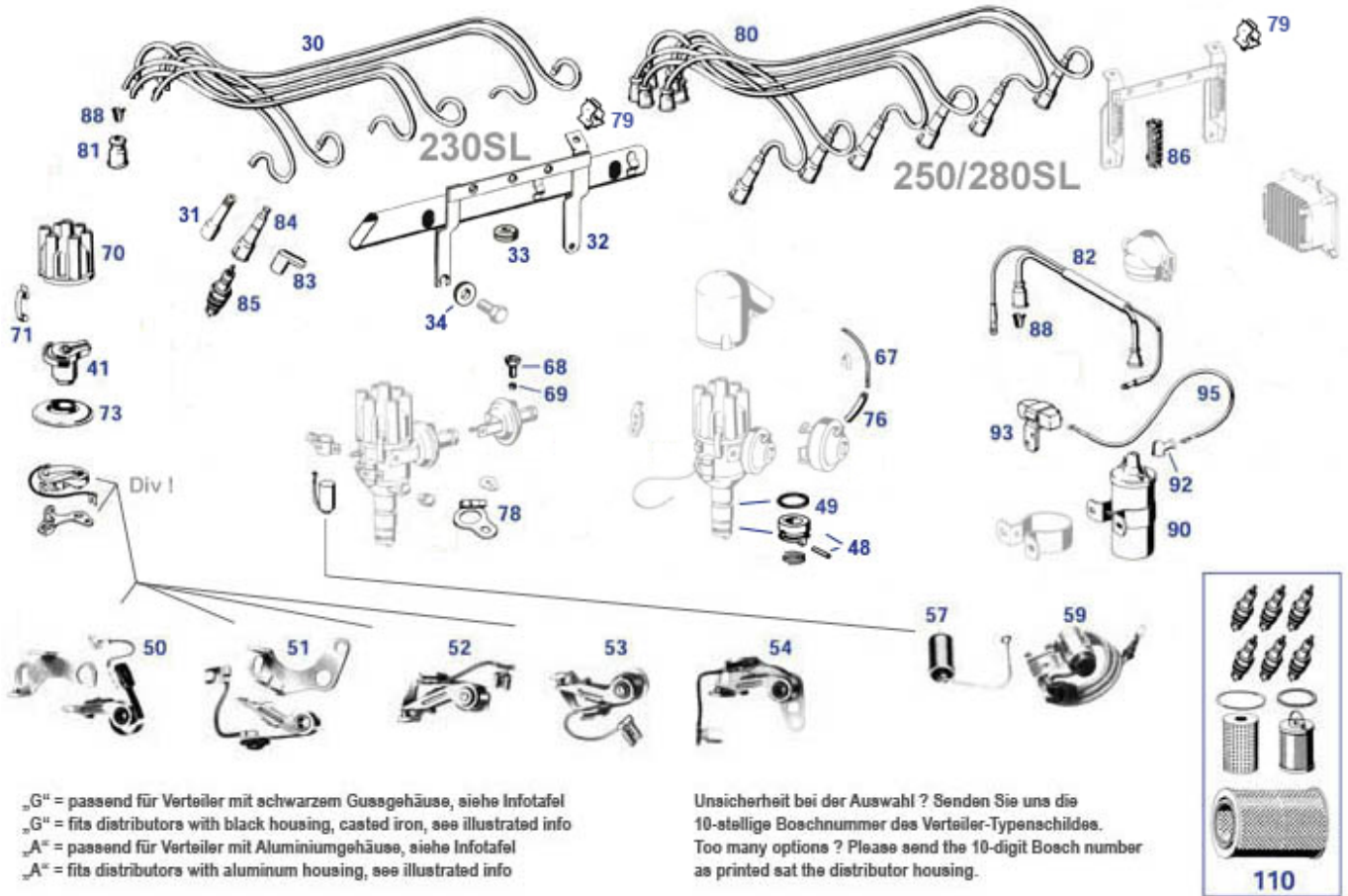
	Tube, eng breather 1965/1966	309809	€ 85,20		1m cooling water hose 12/19mm	250823	€ 7,14
	A0040940802 Air filter,230SL,complete	214018	N/A		Spring, dle air adjuster bolts	214017	€ 17,50
	spring for valve needle cold start valve,	214823	€ 4,40		A1291420202 A1291420202	214000	N/A
2	Wire clips, air filter box, Repro	214825	€ 2,59	2	Exhaust manifold	214020	€ 4,17
3	Air filter R113, 280 SL/SLC (MANN)	209400	€ 34,44	3	Seal for Air filter Lid (1m) A0000942079	209402	€ 14,57
4	Link bit, air filter box to side wall	209815	€ 22,48	5	No		
5	Air hose 135mm, e.g.280SL late	209702	€ 51,27	5	Air hose 100mm e.g. 250SL	209703	€ 53,10
5	Air hose 160mm, e.g. 230SL late, ref A1890940082	209800	€ 79,00	5	Air hose 185mm, e.g. 280SL up to FN	209701	€ 45,77
5	Air hose 135mm, e.g.280SL late	209802	€ 107,99	5	Clamp, air hose	209004	€ 2,77
5	Air hose 160mm, e.g. 230SL late, ref A1890940082	209880	€ 52,00	5	Air hose 185mm, e.g. 280SL up to FN	209801	€ 99,00
5	Air hose 160mm, e.g. 230SL late, ref A1890940082	209800	€ 87,02	5	Air hose 100mm e.g. 250SL	209803	€ 108,04
10	Rubber buffer, floor/exhast, others...	249818	€ 4,68	8	Mounting,af. flexible buffer	209406	€ 7,69
11	Lock f.filterbox, flat spring	314825	€ 9,98	11	A0000941255 Snap fastener,air filter	214025	N/A
16	Gasket, throttle flap housing	214012	€ 7,60	11	cotter pin 3 x 28, fits 314025 ...	314029	€ 0,32
24	Insulation plate , M130 E late (ca 69->	214003	€ 125,30	22	bracket for tube clamp at throttle housg	214207	€ 30,58
24	A0001410721 heat insulation plate 230SL	214032	N/A	24	Insulation plate ,250-280SLFN	214002	€ 116,50
26	Clamp,insulation->intake,'70->	214024	€ 4,90	26	Clamp,insulation->intake ->'69	214004	€ 6,99
27	Sealing ring, cst. control	214013	€ 1,96	27	gasket 280 from large manifold	214026	€ 3,57
29	Hollow screw e.g.M127 breather banjo	309898	€ 25,13	28	Clamp 1.generation breather pipe	309029	€ 45,07
30	Hollow screw e.g.M127 breather banjo-style	309098	€ 19,25	30	Breather tube 220SE-230SL early	309007	€ 109,28
31	Tube, eng. breather early	309008	€ 115,00	30	Banjo fitting, norm, fits M18	109816	€ 16,01
				32	Tube, eng breather 1965/1966	309009	€ 74,29

33	1m rubber hose ID 10mm, 5mm wall	943028	€ 32,78	33	see 250823	250023	N/A
35	A1270940491 Hose,90°,cyl. head cover,23	209023	N/A	35	Hose,90°,cyl.hd. cvr.250-280SL	209005	N/A
35	Engine ventilation	209805	€ 5,02	36	Hose 90°, air filter 230SL, M110-D-J	209809	€ 3,84
37	Breather Plastic Tube A1290160030	209807	€ 24,51	38	Protection sleeve for breather + for water pipe	209006	€ 13,46
39	A6159970072 Spigot, engine ventilation	209010	N/A	42	Sealing ring, exhaust manif.	249060	€ 2,37
45	Manifold Gasket M127-130 "REINZ"	249090	€ 14,40	45	Gasket Intake/Exhaust M127-130, ELRING	249990	€ 14,54
46	Nut M10 fine	914007	N/A	46	Nut, M10, exh manifold	114008	€ 1,25
47	M12-127 lock washer	235316	€ 0,26	48	Washer 2mm, thick, exh-manif, bumpers .	214008	€ 0,56
51	Hollow screw on suction pipe	227022	€ 2,05	52	Seal ring 10x13,5, Alu, e.g. sender, hollow bolts	227023	€ 0,50
53	Banjo fitting, fits 10mm screw	227850	€ 4,07	55	A0004352182 Vacuum hose, wire-reinforce	243082	N/A
56	Check valve, brake vac.	243016	€ 20,99	58	N915013010001	214059	N/A
58	N915006008002	214058	N/A	59	Seal ring 16x20, Alu, e.g. hollow bolts	214078	€ 0,99
60	Tube 90° e.g. adapt T52->old hose	243038	€ 13,74	60	A1114300729	243089	N/A
61	N915017012200	243025	N/A	90	not for casted manif-version. recomm: add 249044	214818	€ 113,05
214100	Exhaust manifold for late W113 (used) Cylinder 4-6	214100	€ 1.190,00	214101	Exhaust manifold for laste W113 (used) Cylinder 1-	214101	€ 1.190,00

15 Electrical Equipment at Engine

15.a ignition

15.a ignition

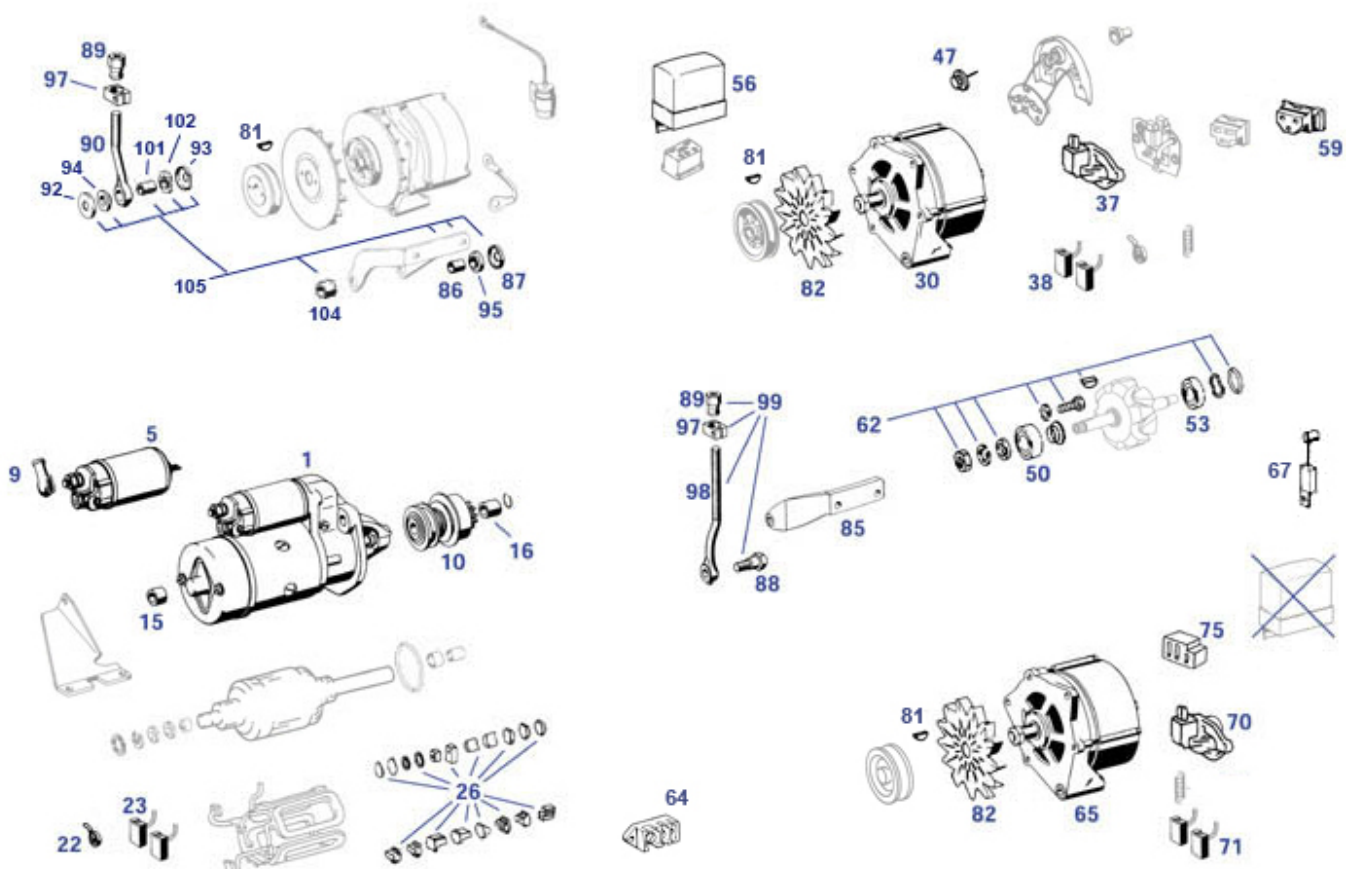


Clamp, vacuum line at support	243879	€ 5,36	Coil retaining clamp	115120	N/A
see 254766 or 254066, Resistor 0,9	254866	N/A	see 254768 or 254266, Resistor 0,4	254868	N/A
Cont.b.set, 280SL USAFN	215113	€ 9,88	Marelli ignition coil MB 6-Cylinder	254411	€ 31,59
see 254708 or 254008, Resistor 1,8	254808	€ 50,75	Distributor cap 230-280SL "A"	215708	€ 55,69
Ignition Coil "Pertronix Flamethrower-II"	554711	€ 138,64	Vacuum unit, dist. , 'A', Repro, no tech documents	215834	€ 94,71
Vac unit dist.,'G', Repro, no tech documents	215604	€ 93,95	30 rubber cap ID 11mm eg spark plug connectors	515998	€ 0,87
31 Spark plug "bakelite", in line, 1kOhms	315055	N/A	32 Metal tube w.bracket, f.ignition leads	215110	€ 109,99
32 Special nut, acc linkage support to mount LH	230029	€ 3,57	33 Rubber grommet 10/15, taillight bucket 190SL, 107	199020	€ 1,08
34 ball shaped washer	299992	€ 2,64	40 Overhaul service Distributor 127/129/13	215005	N/A
41 Rotor arm, 280SL 'A' , Bosch	215011	€ 34,99	41 interchangeable with 215804 (Bosch)	115004	€ 15,73
41 interchangeable wih 115004 (Beru)	215804	€ 45,73	48 Distributor drive dog incl pin+spring	215036	€ 24,81
49 Seal ring I/D 21,5 / material 4,75 mm ref.-No.	715229	€ 0,48	50 Pointer set M180, M127 early	415013	N/A
50 Point Set M180, M127 "Beru"	415813	€ 8,02	51 Cont.b.set, 230-280SL 'G'	215003	€ 18,15
51 Contact Point Set 230-250SL Pagoda "Beru"	215803	€ 8,06	52 Workshop may try 715315 instead (short wire)	215030	N/A
52 Workshop may try 715315 instead (short wire)	215830	N/A	53 Cont.b.set, 280SL USAFN	215013	€ 7,78
53 M130.983-10-004597 -> 12-007230	215813	€ 8,66	54 Pointer set 280S...	815003	€ 11,00
57 Condenser f.'Alu' w.no1-lead	215037	€ 8,51	57 Capacitor 190SL, 113-"G" (iron dist)	215007	€ 6,90
57 Capacitor w/o bracket, BERU	215807	€ 7,88	59 A0011560501 Capacitor 280SL USA FN	915006	N/A

59	Condenser, see picture	215837	€ 14,60	65	A0001581618 Vacuum device 'G',transist-	215047	N/A
65	A0001581018 Vac.box,ign.dist.,'G',notFN	215004	N/A	66	A0001584418 Vacuum box, ign.dist. , 'A'	215034	N/A
66	A0001584518 Vacuum device 'A',transist-	215049	N/A	67	Spring clip,vac. pipe to fuel line	299471	€ 15,15
67	Vacuum pipe, 2/4mm,per mtr	215027	€ 1,82	68	N003871004102	107093	N/A
69	N003862004000	107094	N/A	70	Dist. cap 230-280SL, fits iron distr., also 1-2-3-	215828	€ 30,94
70	Distributor cap 'A'	215008	€ 61,78	70	Distributor cap 'A'	215808	€ 69,50
70	Distributor cap phenol resin	215021	€ 47,22	70	Distributor cap Bosh, fits "iron-dist"	215028	€ 71,22
70	Distributor cap, fits "iron-dist", Germany	215928	€ 53,01	71	Sp. clip, dist. cap to body	215026	N/A
71	Set cap clips	215826	N/A	73	Dust cover, inside distributor	215012	€ 8,50
75	A0001582085 Spray cap, distributor	215014	N/A	76	Pipe, vacuum, per mtr.	715027	€ 5,12
78	Adj. flange R4+R6 1958-1968	115073	€ 31,32	80	Ignition lead set W113 see picture	215721	€ 85,00
80	plugs w metal shield, 1 kOhm	215720	€ 155,00	80	Ignition lead set 250-280SL, push on	215020	€ 169,99
80	Plugs 1 kOhm	215120	€ 105,99	81	Prot.sleeve ign.leads -> distributor	215815	€ 2,73
81	Connector	715016	€ 18,77	81	Prot.sleeve ign.leads -> distributor	215715	€ 1,90
82	Silicone ign lead, 1m	215116	€ 8,77	82	Cable set, coil/distributor	115050	€ 45,82
82	Grommet	215119	€ 1,01	83	Spark plug connector, 1kOhm, angled, Bakelite	115056	€ 18,56
83	N/A Spark plug connector 90°, Bakelite, 1kOhm	115055	N/A	84	Spark plug, 5K Ohm '67 - '76	215017	€ 12,02
85	Spark plug, NGK BP7ES	215019	€ 3,39	85	Spark plug, NGK,	215018	€ 2,83
85	Spark plug Bosch W6DC	215918	€ 3,69	85	Spark plug Bosch WR5DC	215919	€ 2,93
86	Bracket,ign wires,plastic	215023	€ 1,49	88	Wire bushing with treaded pin	515999	€ 2,37
88	N/A solder-on connector. replace with 515999	215999	N/A	90	washer, 6,4 e.g. boot hinge	175005	€ 0,36
90	N/A A0001584903 Ign coil BERU 6-Cyl 108-113.. la	254711	N/A	90	Ign.coil 113TCI + R/C107 early, BOSCH	754020	€ 85,00
90	Ign coil VALEO 6-Cyl 108-113.. late	254811	€ 42,10	90	Ign coil Bosch 6-Cyl 108-113.. late	254611	€ 80,55
90	Ign.Coil,std.actuated,needs Res:1,8	254011	€ 63,34	91	A0001581185 Cover,protective,distributo	254007	N/A
92	Rubber dust boot (at Gen. .)	254051	€ 3,25	93	Resistor, 0.4 Ohm	254266	€ 54,37
93	Screw, M4X6 Phillips, e.g switch	799546	€ 0,24	93	Resistor 0.6 Ohms, TCI, BERU	254967	€ 70,35
93	Resistor 1.8 Ohm red, fits 254011	254008	€ 85,88	93	Spring washer M4 yellow zincd	299283	€ 0,08
93	Resistor, 0,9 Ohm,silver, BOSCH	254066	€ 55,69	93	Ring eyelet, crimp, uninsulated, high-temp. MS sn,	997989	€ 0,51
93	Ballast Resistor 0,4 Ohm, Reproduction	254768	€ 28,54	93	Ballast Resistor 0,6 Ohm, Reproduction	254767	€ 26,45
93	Ballast Resistor 0,9 Ohm, Reproduction	254766	€ 24,37	93	Ballast Resistor 1,8 Ohm, Reproduction	254708	€ 24,37
93	Shim 4,3x8	799939	€ 0,19	93	teethed washer 4,3mm	999037	€ 0,13
93	Ballast resistor .6 Ohm, silver, TSZ	254166	€ 61,50	95	A1811500128 Ign.wire: resistance to coi	215016	N/A
100	Label "Danger High Voltage" D/EN/FR	799961	€ 16,31	100	rest: control unit transistor ignition BOSCH	254290	N/A

15.c Starter and Generator

15.c Starter and Generator

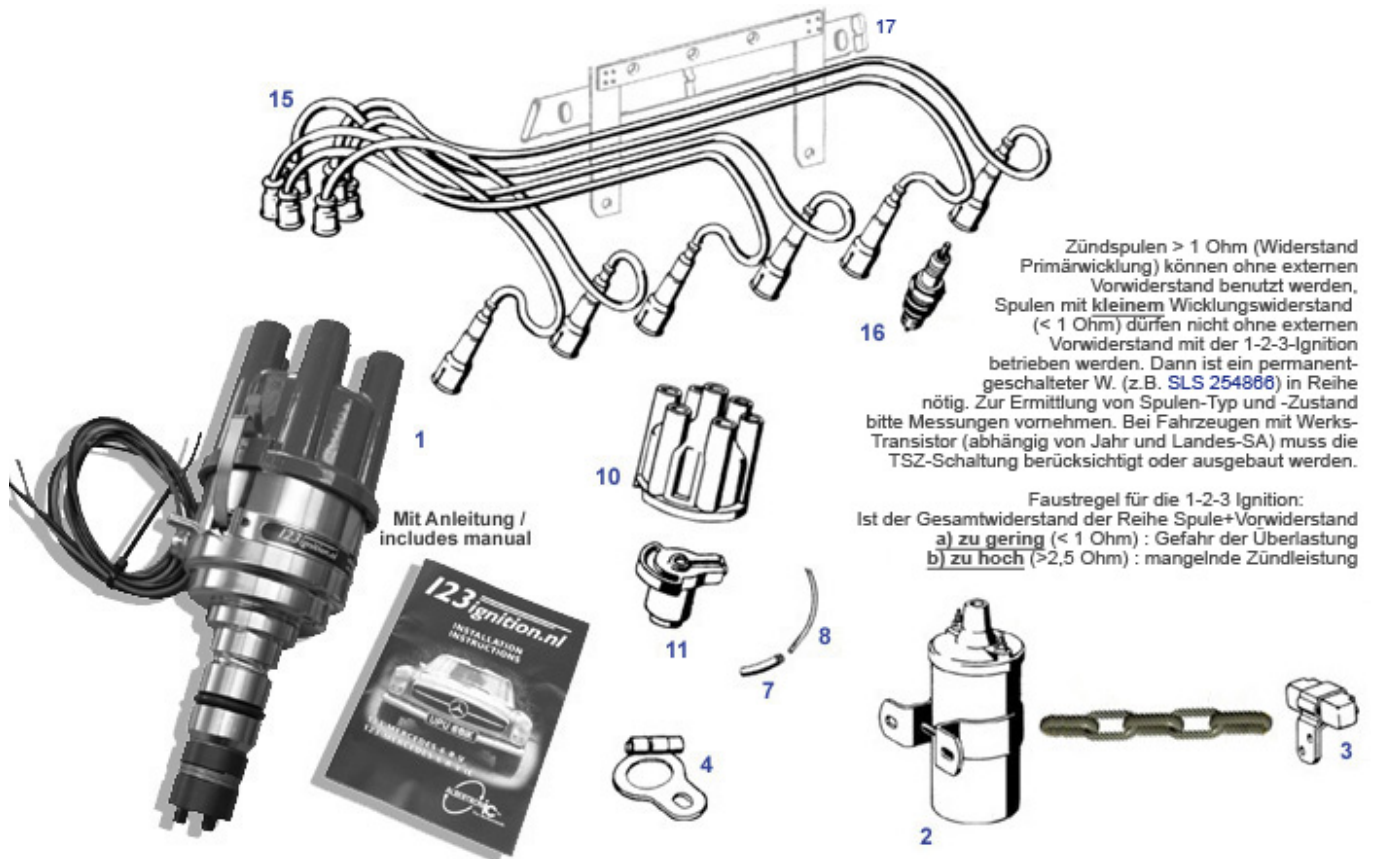


	Socket housing, alternator	754877	€ 12,30		Rubber grommet 11/30, blue silicon	299517	€ 1,59
	battery hold down, R113, Repro	254826	€ 65,45		rubber		
	Alternator Pulley	715255	N/A		A1201550081 see 115017, rbr shim	115017	N/A
	optional interchange with SLS	715452	€ 51,59		A1164200685 Brake cable W116	642101	N/A
	215244				SEL fr.		
	Alt. regulator internal 55A	715782	€ 18,42	1	ground strap 40cm, eyes 8 + 6mm,	354246	€ 39,50
					w.prot hose		
1	Repair, Starter "GF", used part sent ?	215843	N/A	1	Starter motor, replaces Bosch GF+GFR models	215743	€ 214,51
5	Solenoid switch, str,'EF'	215241	N/A	5	arrival of used part necessary	215243	€ 293,99
5	optional replace by SLS 215241	215242	N/A	5	Starter solenoid, 3 thread	215244	€ 39,37
9	Cap, starter terminal	154056	€ 5,71	9	Wiring, starter to terminal at oil pan	254167	€ 116,85
9	A0005460937 Grommet, starter cable	254088	N/A	10	Rubber cap, starter wire, small	754026	€ 6,14
10	Pinion,'free wheel'late /rep.	215043	N/A	10	Pinion, with free wheel'GF'	215040	N/A
10	N/A ! Pinion,'free wheel' 1 006 209 439	215045	N/A	15	n.a. Pinion w. f/w.350SL FN 'EF'	215041	N/A
16	Bushing, starter, d12xD16xL16	215131	€ 0,77	16	Bushing, starter,	115032	€ 0,95
18	A1301510125 Bracket, starter motor GF	215029	N/A	21	d12,5xD16,5xL11,5		
22	N/A ! Spring,starter, carbon brush	215048	N/A	21	Bushing, starter, d12xD16xL14	215042	€ 3,83
26	Seal kit set, starter	715509	€ 45,36	21	"Rotor shaft, starter "EF(R)"	215248	€ 217,35
35	N/A ! (1 124 336 066) Brush, carbon, 35A,flat,lt.	215281	N/A	23	Carbon brush set, starters, FN	215249	€ 9,94
37	Brush, carbon, 55A, flat	215282	€ 115,33	30	used item required: overhaul of 35A generator	215250	€ 264,95
38	Brush, carbon, for soldering	215238	€ 3,84	35	Brush, carbon, 35A,round,er.	215236	N/A
45	Transformer unit 55A	215291	N/A	35			
47	Diode (positive)	215295	N/A	38	Carbon brush set Alt. 55A fr.'74	715283	€ 3,37
47	Diode	215297	€ 6,44	44	A0001540685 Protection cap	215069	N/A
50	Bearing fits several generators, frt, 17x52mm	715334	€ 20,13	45	Transformer unit 35A	215290	N/A
53	cap for bearing 6201	215228	€ 5,12	47	Diode (negative)	215296	€ 16,01
				50	Bearing frt side div generators, 17x47x14	215222	€ 8,78
				50	Bearing several generators, front , 17 x 40 mm	215221	€ 6,05
				53	cap for bearing 6203	215223	€ 5,11

53	Bearing fits several generators, rear, 12x28mm	715336	€ 4,31	53	similar as 215226	215227	N/A
53	Bearing rr side, div.generators 12x32	215226	€ 5,13	56	Regulator external,ca '65-'74, HELLA, China	254721	€ 29,85
56	regulator, copy of old design	254521	€ 41,92	56	Rest: Bosch regulator, external, generators 65-74	254021	€ 690,57
58	flat crimp shoe, with nose, female, ... 2,5mm²	754055	€ 0,65	58	A0015458728 housing, see 254103	254083	N/A
58	Plug hsnng,Regulator, 3xflat	254080	€ 7,28	58	Con.housing, 2 pole flat	254103	€ 0,54
59	A0005459228 3-pole connector generator	254077	N/A	62	Set nuts,bolts,washers - Alt.	715289	€ 34,06
62	Repair kit, armature, dyn.	215260	N/A	64	Leitungssatz LiMa an Regler	254165	N/A
64	A0005466541 Terminal block, 3 pole	254064	€ 29,99	65	Alternator, 55A, new	215279	N/A
65	Generator 65A (AC), exchange	215237	€ 278,26	65	arrival of used part necessary in advance	215280	€ 440,30
67	Interference suppression capacitor with flat plug	715838	€ 7,97	67	Interference suppression capacitor with eyelet con	215838	€ 29,99
70	Alt. regulator internal 55A, BOSCH	715282	€ 59,06	75	A0005467940 Wire Connector, flat	754186	N/A
75	Wire Connector, 90°, 9,5mm wide, e.g. generators	754187	€ 2,38	75	NOS-Rest: Socket housing, alternator	754177	N/A
78	A0001540993 Spring, 35A-Gen. brushes	215212	N/A	79	A0001541993 Spring, 55A-Gen. brushes	215213	N/A
80	A0011553415 Pulley, generator late styl	215239	€ 30,20	80	woodruff key W4 H5	215077	€ 0,88
80	A1291500160 Generator pulley	215219	N/A	82	N/A Fan, alternator	215235	N/A
85	Support,alternator, 250-280"No-AC" used	215057	N/A	85	Support,alternator, 250-280"No-AC" used	215857	€ 183,08
86	Spacer sleeve, alternator bkt.	215044	€ 13,39	87	retainer shim, div. M8 mounts	109107	€ 3,45
88	Bolt, retaining, alt. Brack	215055	€ 8,35	88	Spring washer 14mm e.g. cam wheel	105028	€ 0,55
89	Tightening nut @ tensioner M10, hex14	215058	N/A	90	Bolt, early generator tensioner (f.rbr washers)	215059	€ 33,43
92	Retainer e.g. Generator bolt late	115093	€ 5,02	93	Retainer washer e.g. 230SL alternator	215053	N/A
94	Rubber spacer, generator supp, 190late	115819	€ 4,26	95	Rubber bushing, e.g. generator->rod	115817	€ 1,75
97	fits 215058	115122	€ 19,04	97	fits 115059	115022	€ 23,92
98	Tightening screw, 127-130 w/o rbr bushings	215056	N/A	98	Tightening screw, 127-130 w/o rbr bushings	215856	€ 31,76
99	n.a.! Set shims+washers, anchor assemb	715511	€ 7,25	101	Bushing, e.g. alternator supports	215140	€ 3,07

15.e Electronic Ignition System, "1-2-3"-Retrofit

15.e Electronic Ignition System, "1-2-3"-Retrofit



Zündspulen > 1 Ohm (Widerstand Primärwicklung) können ohne externen Vorwiderstand benutzt werden, Spulen mit kleinem Wicklungswiderstand (< 1 Ohm) dürfen nicht ohne externen Vorwiderstand mit der 1-2-3-Ignition betrieben werden. Dann ist ein permanent-geschalteter W. (z.B. SLS 254866) in Reihe nötig. Zur Ermittlung von Spulen-Typ und -Zustand bitte Messungen vornehmen. Bei Fahrzeugen mit Werks-Transistor (abhängig von Jahr und Landes-SA) muss die TSZ-Schaltung berücksichtigt oder ausgebaut werden.

Faustregel für die 1-2-3 Ignition:
Ist der Gesamtwiderstand der Reihe Spule+Vorwiderstand
a) zu gering (< 1 Ohm) : Gefahr der Überlastung
b) zu hoch (>2,5 Ohm) : mangelnde Zündleistung

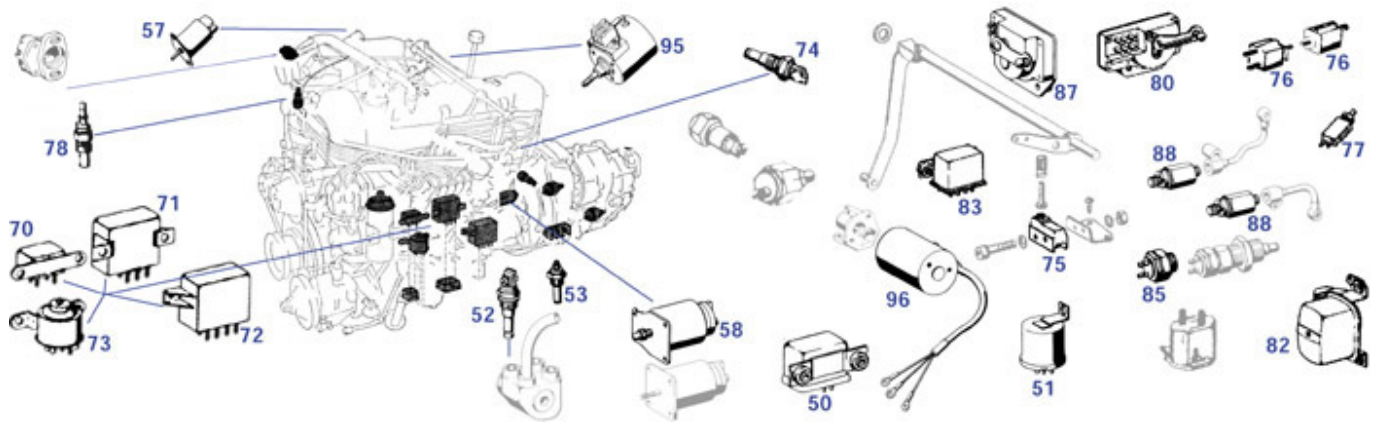
	interchangeable with 215804 (Bosch)	115004	€ 15,73		Distributor cap Bosh, fits "iron-dist"	215028	€ 71,22
	N/A A0001584903 Ign coil BERU 6-Cyl 108-113.. la	254711	N/A		Screw, M4X6 Phillips, e.g switch	799546	€ 0,24
1	1-2-3 distributor, USB-programmable	215801	€ 419,00	1	6 cyl. W108/109/110/111/112/113/14/123-engines	215800	€ 325,00
2	Ign.Coil,std.actuated,needs Res:1,8	254011	€ 63,34	2	Ign coil VALEO 6-Cyl 108-113.. late	254811	€ 42,10
3	Resistor, 0,9 Ohm,silver, BOSCH	254066	€ 55,69	3	Ballast Resistor 0,9 Ohm, Reproduction	254766	€ 24,37
4	Adj. flange R4+R6 1958-1968	115073	€ 31,32	7	Pipe, vacuum, per mtr.	715027	€ 5,12
8	Vacuum pipe, 2/4mm,per mtr	215027	€ 1,82	10	Dist. cap 230-280SL, fits iron distr., also 1-2-3-	215828	€ 30,94
11	interchangeable with 115004 (Beru)	215704	€ 14,88	15	Ignition lead set 250-280SL, push on	215020	€ 169,99
15	plugs w metal shield, 1 kOhm	215720	€ 155,00	15	Plugs 1 kOhm	215120	€ 105,99
16	Spark plug Bosch WR5DC	215919	€ 2,93	16	Spark plug, NGK BP7ES	215019	€ 3,39
17	Metal tube w.bracket, f.ignition leads	215110	€ 109,99	17	Bracket,ign wires,plastic	215023	€ 1,49

15.e Electronic Ignition System, "1-2-3"-Retrofit

Conversion kit Ignitor, 230SL early w. VJUR 6BR 49	215702	€ 417,69	Conversion kit Ignitor-II, W113 w.distr. ..047/..0	215703	€ 417,69
Conversion kit Ignitor-II, W113 w.distr. ..047/..0	215705	€ 385,56	Ignition Coil "Pertronix Flamethrower-II"	554711	€ 138,64

07.c electric engine control

07.c electric engine control



	Flasher relay, see pict, pin position changed	254060	€ 39,91		Cover, for wire terminal @ autom-housing	254009	€ 33,24
50	Rubbermount, relais	254295	€ 5,25	51	A0015451624 Switch,cold start delay 230	254020	N/A
52	ignition distributor repair kit	907124	€ 19,59	52	head: shape non original to MB127-130, M14x1,5 th	907125	N/A
52	A0015459224 Temperature switch, late, orig	207125	N/A	52	A0005457024 Switch,cyl. head,230SL FN	207126	N/A
53	A0015451524 Switch,cyl. head,230SL FN 2	207132	N/A	57	Solenoid,cst. valve(1 pole)	214014	€ 238,00
58	Solenoid,fuel injection	207112	N/A	70	Relay, start-/ operation current, Repro	254095	€ 67,84
71	A0005450832 Relay.ignition timing US	254901	N/A	72	A0005429319 Relay box US	254902	N/A
73	El. vacuum control valve	780054	€ 53,40	74	A0035452124 Switch.cylinder head 280SL	207133	N/A
75	A0005455314 USA acc.linkage switch	254330	N/A	76	A0045451814	254260	N/A
77	113: Handschuhkasten, 107: Feststellbremse (254101	€ 402,03	78	A0035452424 Temp indic. at thremostate	207154	N/A
78	Temperature switch 100° e.g. A/C fan, FEBI	207963	€ 8,50	78	Temp.-switch 100° Celsius	207163	€ 9,62
80	A0015456724 Switch, auto., 6 way USA-AG	227013	N/A	82	A0005450132 AGR-control unit 280SL USA	254904	N/A
83	A0005425919 AGR-relay 280SL USA	254905	N/A	85	A0005451706 Switch,kick-down	229006	N/A
87	A0015458724 Starter detent/rev. light s	227002	N/A	88	A0015421317 Oil pressure switch, autom.	254117	N/A
95	authentic Repro similar Kostal Bakelite 20490	154052	€ 44,85	95	collar nut, e.g. Solenoid pin	299334	€ 13,66
95	Solenoid A0000720500	207100	€ 1.249,50	95	Grommet, acc linkage solenoid	207899	€ 3,93

15.i Info Spark Plugs

15.i Info Spark Plugs

Die Kerzentypen Bosch W5... bis W8... können Sie bei uns bestellen, wie auch die NGK BP8... bis BP5...

Die Tabellen zeigen Auszüge aus den Hersteller-Empfehlungen. Ein Ausweichen auf einen "benachbarten" Wärmewert-Index kann sinnvoll sein, je nach Einsatzbedingungen und Zustand von Motoren.
Bosch: Hohe Kennziffer = heiße Kerze = schnelles Fröhenrenn
niedrige Kennziffer = kalte Kerze = geringe Gefahr von Glühzündung
NGK: u m g e k e h r t

200 (Typ 115)	01.68-01.77	W 6 DC	0,8
200 (Typ 123) Mot. M 102	06.80-	H 7 DC	0,8
200 (Typ 123) Mot. M 115	02.76-07.80	W 7 DC	0,8
220 (Typ 115)	01.68-01.77	W 6 DC	0,8
220 (Typ 115) 4 Zyl.	08.71-07.73 USA	W 7 DC	0,8
230 (Typ 114) 6 Zyl.	01.68-11.76	W 6 DC	0,7
230 (Typ 115) 4 Zyl.	08.73-12.76	W 6 DC	0,8
230 (Typ 123) Mot. M 102 K-Jetronic	02.72-08.74 USA	W 7 DC	0,8
230 (Typ 123) Mot. M 115	09.74-09.76 USA	W 6 DC	0,7
230 G	09.76-08.78 USA	W 8 DC	0,8
230 G	03.79-	W 7 DC	0,8
250 (Typ 114) Mot. 114	09.76-09.72	W 6 DC	0,7
250 (Typ 114) Mot. 130	07.72-11.76	W 6 DC	0,8
250 (Typ 123)	01.68-08.71 USA	W 6 DC	0,6
250 (Typ 108)	01.68-11.72	W 5 DC	0,7
280 (Typ 108, 111) Einzyl.	01.68-08.71 USA	W 6 DC	0,6
280 (Typ 108, 111) 3,5 Ltr.	09.71-08.72 USA	W 7 DC	0,8
280 (Typ 114)	06.72-02.77	W 6 DC	0,7
280 (Typ 114) D-Jetronic	09.72-08.74 USA	W 7 DC	0,8
280 (Typ 114) D-Jetronic	09.74-09.76 USA	W 8 DC	0,7
280 (Typ 116) K-Jetronic	06.72-01.77	W 6 DC	0,8
280 (Typ 116) K-Jetronic	09.72-07.76	W 6 DC	0,8
280 (Typ 116) K-Jetronic	09.72-07.76 NV	W 7 DC	0,8
280 (Typ 116) K-Jetronic	08.76-	W 7 DC	0,8
280 (Typ 116) USA	08.76-	USA	0,8
280 (Typ 116) USA	08.74-08.76	W 8 DC	0,8
280 (Typ 116) USA	01.76-	W 7 DC	0,8
280 (Typ 116) USA	08.72-12.75	W 7 DC	0,8
280 (Typ 123)	08.76-	USA	0,8
280 (Typ 126)	12.75-	W 7 DC	0,8
280 SL (Typ 113)	01.68-03.71	W 5 DC	0,7
280 SL SLC (Typ 107) D-Jetronic	08.74-09.76	W 6 DC	0,8
280 SL SLC (Typ 107) D-Jetronic	09.74-09.76 NV	W 7 DC	0,8
280 SL SLC (Typ 107) K-Jetronic	06.76-	W 7 DC	0,8
300 (Typ 109) Mot. 130	01.68-08.72	W 5 DC	0,7
300 (Typ 109) 3,5 Ltr.	01.70-01.72	W 6 DC	0,7
300 (Typ 109) 4,5 Ltr.	09.71-08.72 USA	W 7 DC	0,8
300 (Typ 109) 5,3 Ltr.	08.68-08.72	W 7 DC	0,8
300 (Typ 116) D-Jetronic	08.72-09.76	W 6 DC	0,8
300 (Typ 116) K-Jetronic	08.72-02.76 NV	W 7 DC	0,8
300 SL (Typ 116) K-Jetronic	05.71-02.76	W 5 DC	0,7
300 SL SLC (Typ 107) D-Jetronic	05.71-02.76 XIP	W 6 DC	0,8
300 SL SLC (Typ 107) K-Jetronic	03.76-	W 7 DC	0,8
380 (Typ 126)	12.75-	USA	0,8
380 SL SLC (Typ 107)	07.80-	W 7 DC	0,8
450 (Typ 116) D-Jetronic	08.80-	USA	0,8
450 (Typ 116) D-Jetronic	01.73-11.75	W 6 DC	0,8
450 (Typ 116) D-Jetronic	01.73-11.75 NV	W 7 DC	0,8
450 (Typ 116) K-Jetronic	09.72-08.74 USA	W 7 DC	0,8
450 (Typ 116) K-Jetronic	09.74-09.76 USA	W 8 DC	0,8
450 (Typ 116) 6,9 Ltr.	12.75-	W 7 DC	0,8
450 SL SLC (Typ 107) D-Jetronic	09.75-	USA	0,8
450 SL SLC (Typ 107) D-Jetronic	09.76-	USA	0,8
450 SL SLC (Typ 107) D-Jetronic	01.73-11.75	W 6 DC	0,8
450 SL SLC (Typ 107) D-Jetronic	01.73-11.75 NV	W 7 DC	0,8
450 SL SLC (Typ 107) K-Jetronic	09.71-08.74 USA	W 7 DC	0,8
450 SL SLC (Typ 107) K-Jetronic	09.74-09.76 USA	W 8 DC	0,7
450 SL SLC (Typ 107) K-Jetronic	12.75-	W 7 DC	0,8
450 SL SLC 0 (Typ 107)	09.75-	USA	0,8
500 (Typ 126)	09.76-02.80	W 7 DC	0,8
500 SL SLC (Typ 107)	12.79-	W 7 DC	0,8
600 (Typ 100)	09.64-	W 7 DC	0,8
600 (Typ 100)	09.64-08.72 USA	W 7 DC	0,8

Quelle: Bosch 1981/1982

Quelle: NGK 2006

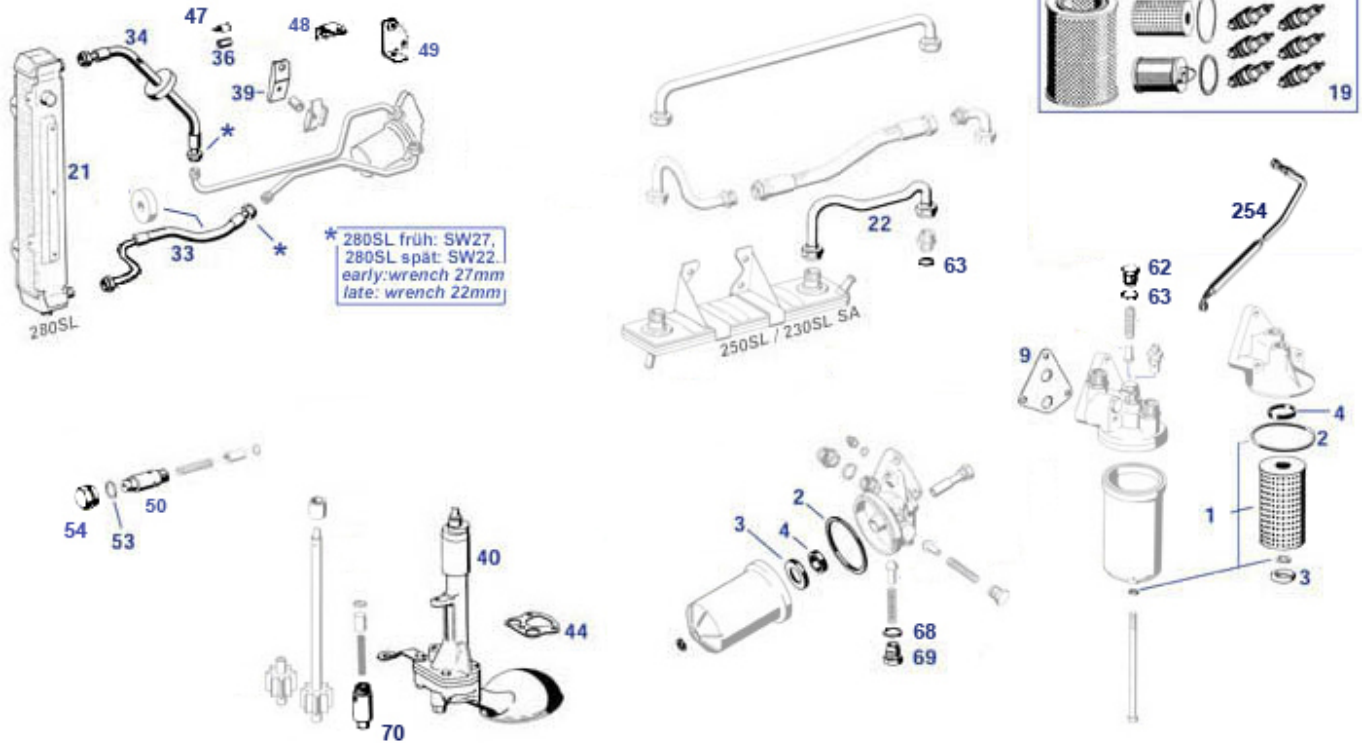
170 S	(0170)	1.7 20	05.1940-10.1956	M 136.922	4	0,6	BP8H
170 SV	(130)	1.7 33	1953- 1955		4	0,6	BP8H
170 V	(130)	1.7 28	1947- 1950		4	0,6	BAL
170 V	(0170)	1.7 33	08.1946-05.1962	M 136.920	4	0,6	BP8H
180	(120)	1.8 40	01.1953- 1952	M 121 B V 121.923	4	0,6	BP8S
180	(0120)	1.8 48	07.1953-12.1962	M 136.925	4	0,6	BP8H
190	(121)	1.9 55	1959- 1960	M 121.921 B1 Vedette 8.5.1	4	0,7	BP8S
190	(121)	1.9 55	1953- 1962	M 121.921 B1 Vedette 8.5.1	4	0,6	BP8S
190 E	(201)	2.0 90	10.1982-08.1985	M 102.901/902	4	0,8	BP8FES
190 SL	(121)	1.9 77	01.1955- 1962	M 121.921	4	0,8	BP7ES
190 SL	(121)	1.9 55	1953- 1962	M 121.921	4	0,8	BP7ES
200	(110)	2.0 70	08.1945-12.1967		4	0,8	BP8FES
200	(120)	2.0 82	02.1976-08.1980	M 115.938/939	4	0,7	BP8ES
200	(120)	2.0 74	08.1980-11.1985	M 102.920/929	4	0,8	BP8FES
200 (R)	(110)	2.0 83	01.1963-01.1971	M 115.929/926	4	0,6	BP8ES
200 „Jackhammer“	(110)	2.0 70	07.1965-02.1968		4	0,8	BP8FES
210	(100)	2.2 83	1955- 1959	180.921	4	0,7	BP7EX
220 (R)	(110)	2.2 86	01.1968-01.1973	M 115.920/924	4	0,7	BP8ES
220 a	(80)	2.2 83	01.1954-12.1954	M 180.921	4	0,6	BP8HS
220 b	(111)	2.2 70	08.1959-08.1965	180.940	6	0,7	BP8ES
220 SE	(120)	2.2 85	1959- 1965	127.982	4	0,7	BP8ES
220 SB	(111)	2.2 81	08.1959-08.1965	180.949/941	6	0,7	BP8ES
220 SE	(120)	2.2 85	01.1958-08.1959	M 127.980	6	0,6	BP7EX
220 SEB	(111)	2.2 86	1959- 1965	127.982	6	0,6	BP8ES
220 SEB Coupe	(111)	2.2 88	1961- 1965	127.982	6	0,6	BP7ES
220 SEB Cabrio	(111)	2.2 88	1961- 1965	127.982	6	0,6	BP7ES
230	(110)	2.3 88	01.1958-01.1960	M 180	4	0,8	BP8FES
230	(110)	2.3 87	08.1965- 1966		4	0,6	BP7FES
230	(120)	2.3 80	02.1976-03.1981	M 115.954	4	0,7	BP8ES
230 ECCE	(120)	2.3 100	04.1980-12.1985	M 102.980	4	0,8	BP8FES
230 E	(120)	2.3 80	04.1980-12.1985	M 102.980	4	0,8	BP8FES
230 G	(400)	2.3 66	03.1979-07.1983	M 115.973	4	0,7	BP8ES
230 GE	(400)	2.3 92	04.1982-08.1992	M 102.981	4	0,8	BP8FES
230 S	(111)	2.3 86	08.1965-08.1966	180.947/950	6	0,8	BP8FES
230 SL „Papier“	(110)	2.3 110	01.1943-01.1951	M 127.981	4	0,8	BP7ES
230 L (R)	(110)	2.3 81	08.1973-12.1974	M 115.951	4	0,7	BP8ES
230 L (R)	(114)	2.3 88	01.1968-11.1970	M 180.954/955	4	0,8	BP7ES
250	(110)	2.5 96	1967- 1970	M 114	4	0,8	BP8FES
250	(120)	2.5 95	02.1976-07.1985	M 123.920/921	4	0,7	BP8ES
250 (R)	(114)	2.5 96	06.1972-11.1976	M 130.923/923	6	0,7	BP8ES
250 (R)	(114)	2.5 95	01.1968-08.1971	M 114.920/923	4	0,7	BP7ES
250 / BSW(114)	(114)	2.5 96	06.1972-11.1976	M 130.923	6	0,7	BP8ES
250 C	(114)	2.5 96	1968- 1973	M 114.920	6	0,8	BP8FES
250 CE	(114)	2.5 110	1968- 1972	M 114.930	6	0,6	BP8EX
250 S	(100)	2.5 96	08.1965- 1965	M 129.980	6	0,6	BP8FES
250 SE	(100)	2.5 110	08.1965- 1968	M 129.980	6	0,6	BP8EX
250 SE	(111)	2.5 110	08.1965- 1967	M 129.980/981	6	0,6	BP8EX
250 SL	(110)	2.5 100	01.1966-08.1968	M 129.982	6	0,6	BP7ES
250 SL „Papier“	(110)	2.5 110	02.1976-08.1980	M 110.923	6	0,7	BP8ES
280	(120)	2.8 115	02.1976-08.1980	M 110.923	6	0,7	BP8ES
280 (R)	(114)	2.8 118	06.1972-11.1976	M 110.921/921	6	0,7	BP8ES
280 C (BMW114)	(114)	2.8 118	06.1972-02.1977	M 110.921	6	0,7	BP8ES
280 SE (R)	(114)	2.8 136	06.1972-08.1977	M 110.981	6	0,7	BP8ES
280 E	(120)	2.8 130	02.1976-11.1985	M 110.984/988	6	0,7	BP8ES
280 E (R)	(114)	2.8 136	06.1972-11.1976	M 110.981/991	6	0,7	BP8ES
280 S	(100)	2.8 105	10.1967-01.1972	M 102.920/921	6	0,8	BP7ES
280 S	(110)	2.8 115	01.1976-12.1979	M 110.922	6	0,7	BP8ES
280 S	(120)	2.8 115	12.1979-07.1985	M 110.924/926	6	0,7	BP8ES
280 SE (W111)	(111)	2.8 147	01.1969-08.1971	M 116.980	6	0,8	BP7ES
280 SE	(111)	2.8 118	01.1968- 1971	M 130.980	6	0,8	BP7ES
280 SESEL	(100)	2.8 118	01.1968-08.1972	M 130.980/924	6	0,8	BP7ES
280 SESEL	(110)	2.8 130	08.1970-07.1980	M 110.985	6	0,7	BP8ES
280 SESEL	(110)	2.8 136	08.1972-07.1980	M 110.983	6	0,7	BP8ES
280 SESEL	(120)	2.8 136	10.1979-07.1985	M 110.987/989	6	0,7	BP8ES
280 SESEL 3.5	(100)	3.5 147	01.1968-08.1972	M 116.980/990	6	0,8	BP7ES
280 SL	(107)	2.8 130	08.1970-07.1980	M 110.982/980	6	0,7	BP8ES
280 SL „Papier“	(110)	2.8 125	01.1968-03.1971	M 130.983	6	0,8	BP7ES
280 SL	(107)	2.8 130	08.1970-08.1981	M 110.982/986	6	0,7	BP8ES
300 D Adresser	(100)	3.0 118	04.1951- 1962		6	0,6	BP8HS
300 E	(120)	3.0 130	01.1965-04.1965	M 103.980	6	0,8	BP8FES
300 SE	(112)	3.0 118	09.1961- 1965	180.984/985	6	0,6	BP8ES
300 SE Coupe	(100)	3.0 125	08.1965- 1967		6	0,6	BP8EX
300 SESEL	(100)	3.0 125	08.1965- 1967		6	0,6	BP8EX
300 SEL	(100)	3.0 125	1967- 1970	M 130	6	0,6	BP8EX
300 SEL	(100)	3.0 125	1967- 1970	M 130	6	0,6	BP8EX
300 SEL 3.0	(100)	3.5 147	01.1970-07.1972	M 116.981	6	0,7	BP8ES
300 SEL 6.3	(100)	3.5 118	03.1971-06.1972	M 130.981	6	0,8	BP7ES
300 SL Coupe (Flügellover)	(100)	3.0 154	03.1968-08.1972	M 100.981	6	0,7	BP8ES
300 SL Coupe (Flügellover)	(100)	3.0 154	1964- 1967		6	0,6	BP7ES
300 SL Roadster	(100)	3.0 150	03.1967-02.1968	180.980	6	0,8	BP7ES
300	(100)	3.0 83	01.1970-08.1980	M 115.955/972	4	0,7	BP8ES
350 SESEL	(110)	3.5 143	03.1970-03.1980	M 116.985	6	0,7	BP8ES
350 SESEL	(110)	3.5 147	08.1972-02.1976	M 116.983	6	0,7	BP8ES
350 SL/SLC	(107)	3.5 144	03.1970-02.1980	M 116.982/984	6	0,7	BP8ES
380	(120)	3.8 150	12.1978-08.1985	M 116.981/983	6	0,7	BP8ES
380 SL/SLC	(107)	3.8 160	07.1980-08.1985	M 116.980/982	6	0,7	BP8ES
400	(120)	4.0 180	01.1975-08.1982	M 115...	4	0,7	BP8ES
450 SESEL	(110)	4.5 161	12.1975-04.1980	M 117.985	6	0,7	BP8ES
450 SESEL	(110)	4.5 161	08.1972-07.1980	M 117.983	6	0,7	BP8ES
450 SL	(107)	4.5 161	08.1975-10.1980	M 117.982/985	6	0,7	BP8ES
450 SL	(107)	4.5 161	08.1975-10.1980	M 117.982/985	6	0,7	BP8ES
450 SL 5.0	(107)	5.0 177	06.1978-02.1980	M 117.980	6	0,7	BP8ES
500 SLC	(107)	5.0 177	03.1980-08.1981	M 117.980	6	0,7	BP8ES
600	(100)	6.0 194	09.1964-01.1979	M 100.980	6	0,7	BP8ES

The tablet shows parts of the manufacture references. An evasion to neighbor heat range can be made, it belongs to the conditions of use and the engine itself. Bosch: high code number = hot sparkplug = fast burn Bosch: low code number = cold sparkplug = low risk of glow ignition
NGK: R E V E R S E

- | | | | |
|--------|------------------|------------------------|---|
| 215018 | Spark plug, NGK, | 215018 | € |
|--------|------------------|------------------------|---|

18 Engine Lubrication

18 Engine Lubrication

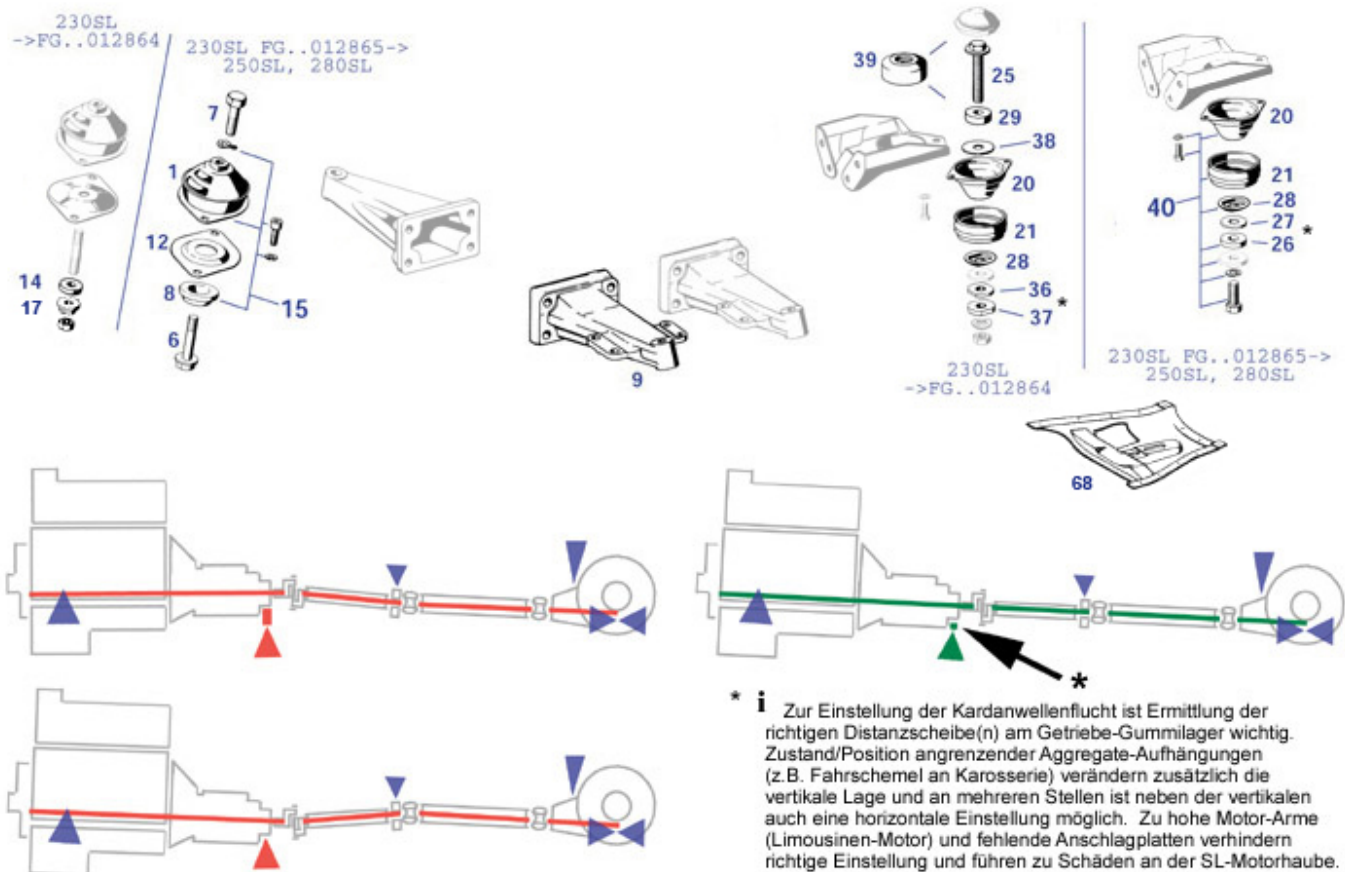


	Ring, filter housg, upper MB-orig:A0001843380	118943	€ 11,78		Oil filler cap, metal/snap-on	250702	€ 12,85
	see 218287	218030	N/A		A1161800801	318405	N/A
	Oil filler cap,	250802	€ 10,95	1	Oil filter incl. gasket, 1959-> "MANN"	118042	€ 10,59
1	Oil filter 190 SL, 230-280 SL; No Name	118842	€ 4,99	2	Ring, sealing, filter/housing	118009	€ 1,24
3	Ring, pressure, in hsg., lower	118045	€ 5,57	4	Ring, filter housg, upper	118043	€ 2,50
5	A0001842302 Oil filter housing, lower,5	118080	N/A	6	A0001841108 Oil filter housing, upper p	118003	N/A
7	A0011845401 Housing, upr.,230SLFN,250SL	218003	N/A	9	Gasket, upr.filter hsg./engine	118008	€ 1,69
12	A1801840117 Connection fitting,oil pres	118002	N/A	12	A1819900168 Scr.jt.oil press.gge,280SL	218002	N/A
16	N000960010033	118014	N/A	17	A0001840773 Hollow screw,oil filter,280	218025	N/A
20	A0001884401 Oil ht./ex. 230SLFN, 250SL	218230	N/A	21	Oil cooler, 280SL FN, Alu Repro	250011	€ 214,99
21	Oil cooler, 280SL FN, Alu Repro	250811	€ 303,45	22	Pipe,oil, 230/250 heat exchanger	218012	N/A
27	Oilpipe, upper, 250SL (and 230 if heat-exchange)	218013	€ 122,00	30	A1141800627 Pipe,oil,280SL lower, FN	218015	N/A
30	A1141800427 Pipe,oil,280SL lower, FN	218014	N/A	31	A1301800127 Pipe,oil,280SL upr., FN	218017	N/A
31	A1141800527 Pipe,oil,280SL upper, FN	218016	N/A	32	A1154660082 Ring,fuel pipe,insulating	218026	N/A
33	Hose,o/c,280SL,lower,early hex27/2	218008	€ 70,89	33	Lower Oil Hose 280SL (,late) hex 22/27	218010	€ 71,00
34	Upper Oil Hose 280SL (,late) hex 22/27	218011	€ 46,99	34	Hose,o/c,280SL,upr.,early hex27/2	218009	€ 52,37
34	Oil hose, upper, 280SE (W108) early	818009	€ 71,39	36	A6219970482 Protection	207098	N/A
39	bracket, oil pipes M130	218287	€ 30,58	40	Oil pump 230S/SL	218432	€ 1.297,10
40	arrival of used part in advance required	218422	€ 1.059,99	40	Neuteil oberer Ölpumpenteil, LASO mit Lagerbuchsen	818408	N/A
40	A1801800801 Oil pump M180, in	418005	N/A	40	Oil pump 230-250SL	218402	N/A

	parts usable for 230						
40	A1141800301 Oil pump 280SL	218404	N/A	41	A1301800207 Shaft,oil pump, 280SLFN	218414	N/A
41	A1081800207 Shaft,oil pump, 230-280SLFN	218406	N/A	42	A1081800108 Oil pump impellor 230-280SL	218407	N/A
42	A1161800208 Oil pump impellor 280SLFN	218416	N/A	44	Gasket,oil pump housing	118005	€ 14,28
44	hex bolt M6 X 75 e.g. for oilpump, late version	218498	€ 1,02	44	Hex.bolt M6X50 e.g. for oilpump	218497	€ 0,76
47	Clamp, e.g. wiring, inner width 15mm	254069	€ 5,65	48	bracket, oil pipe M130 near pump flange	218286	€ 30,58
49	bracket, oil pipe, M130	218288	€ 30,58	50	Oil pressure relief valve	118100	N/A
53	Seal Ring gear box drain plug	226047	€ 0,44	54	A1301800056 see 218816	218415	N/A
54	Plug screw M24 e.g. pressure valve	218816	€ 29,75	60	A1811840030 Valve cone	118004	N/A
61	A1819930601 Spring	118001	N/A	62	A0001840556 see 218815	118010	N/A
62	Screw plug, oil valve	218819	€ 27,25	63	Seal ring 18x22 Al	109019	€ 0,94
63	Seal ring f. bolt 705004	705005	€ 0,68	64	A0029933901 Spring, oil valve 280SL lat	218007	N/A
65	A0001841356 Screw plug, oil valve	218419	N/A	66	A0001840832 Oil valve cone pin, early	218001	N/A
66	A6011840132 Oil valve cone pin, late	218005	N/A	67	A0029933201 Spring, oil valve 280SL ear	218004	N/A
67	A0029934001 Spring, oil valve 280SL lat	218006	N/A	70	Valve,oil o/pressure, 280SL	218100	€ 38,50

22 Enginemounts

22 Enginemounts

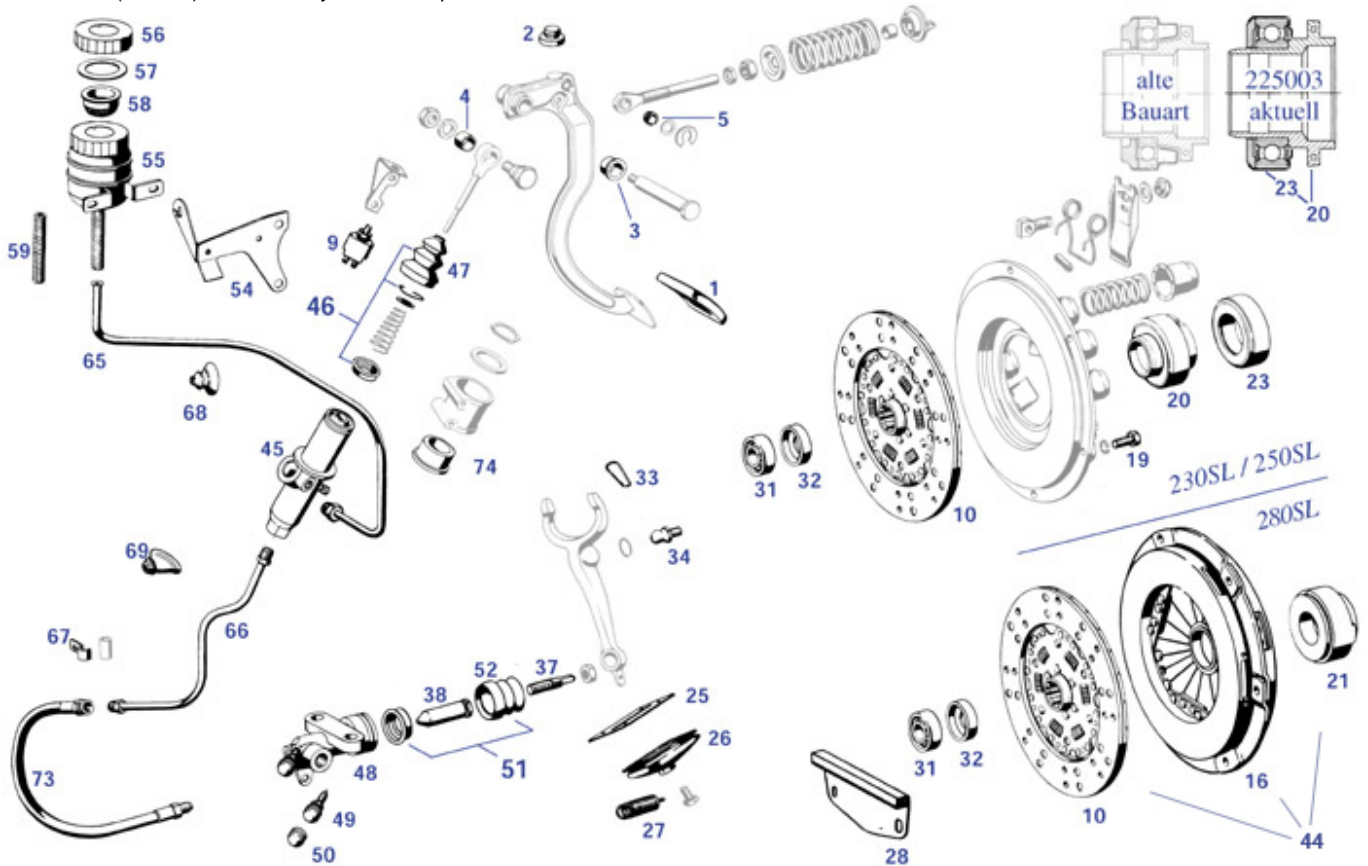


	galvanized Spring washer M8	233059	€ 0,21		galvanized M8 Nut N004032008005	222026	€ 0,21
	Screw engine mount rear	222025	€ 0,80		Bolt engine mount rear	222024	€ 1,54
1	Spring washer	222005	€ 0,44	2	Bolt, eng.mounting/chassis	222004	€ 0,64
	Enginemountfrt.6-cyltypes	222010	€ 34,14		A1212230331 Plate ,eng mount,front,230S	222035	N/A
6	Bolt 57mm, rebound eng mount frt lower	222006	€ 25,73	7	Bolt, engine support/mounting	222007	€ 1,49
7	Spring washer,M12, rr axle, eng.mount	235314	€ 0,60	8	Rebound buffer	222009	€ 2,53
9	A1272231204 Support,engine,front,Lt.	222013	N/A	9	Support,engine,front,Lt. 230-280SL, Repro	222813	€ 232,05
10	A1272231104 Support,engine,front,Rt.	222012	N/A	12	Plate ,eng mount,front,late	222030	N/A
14	Rubber shim 5mm eng support buffer	122039	€ 2,08	17	Bundmutter, Anschlag Motorlager	222039	€ 5,71
20	Engine mount 190SL left, R113 rear OE	122915	€ 79,99	21	Bellows, rear eng.mount	122830	€ 10,13
24	A1112400402 Support,engine,rear,230SLFN	222016	N/A	25	Bolt,rr.eng.mount 220SE/230SL early	222021	€ 14,70
25	Bolt L=80mm, 230SL-FN, rear mount	222027	€ 8,35	26	Steel distance washer 5mm, e.g.rr eng	222022	€ 11,90
27	Rubbershim	322039	€ 1,99	27	Shim,1 mm, rr.eng.mounts,if required	222023	€ 3,90
28	Plate, bellows @ engine mount	122035	€ 10,57	36	A1132420072 Threaded washer	222017	N/A
37	A1132420272 Threaded washer	222018	N/A	39	Rubberbuffer/bellow	322035	€ 5,15
40	A1132400018 Mounting set,eng.,comp. Rea	222020	N/A	40	Rep.-kit rr eng mount '66 - '71 / incl. OEM engine	222820	€ 115,63
68	hex head screw M10 X 20, 10.9 zinc plated	235315	€ 1,40	68	Spring washer, u/j bolt	235303	€ 0,42
68	lower plate, tunnel closure + gearbox carrier, Rep	268603	N/A	222015	Support,engine,rear,late FN	222015	€ 747,42

25, 26 Clutch + 4-Speed-Box

25.a Clutch (manual), mechanic/hydraulic components

25.a Clutch (manual), mechanic/hydraulic components

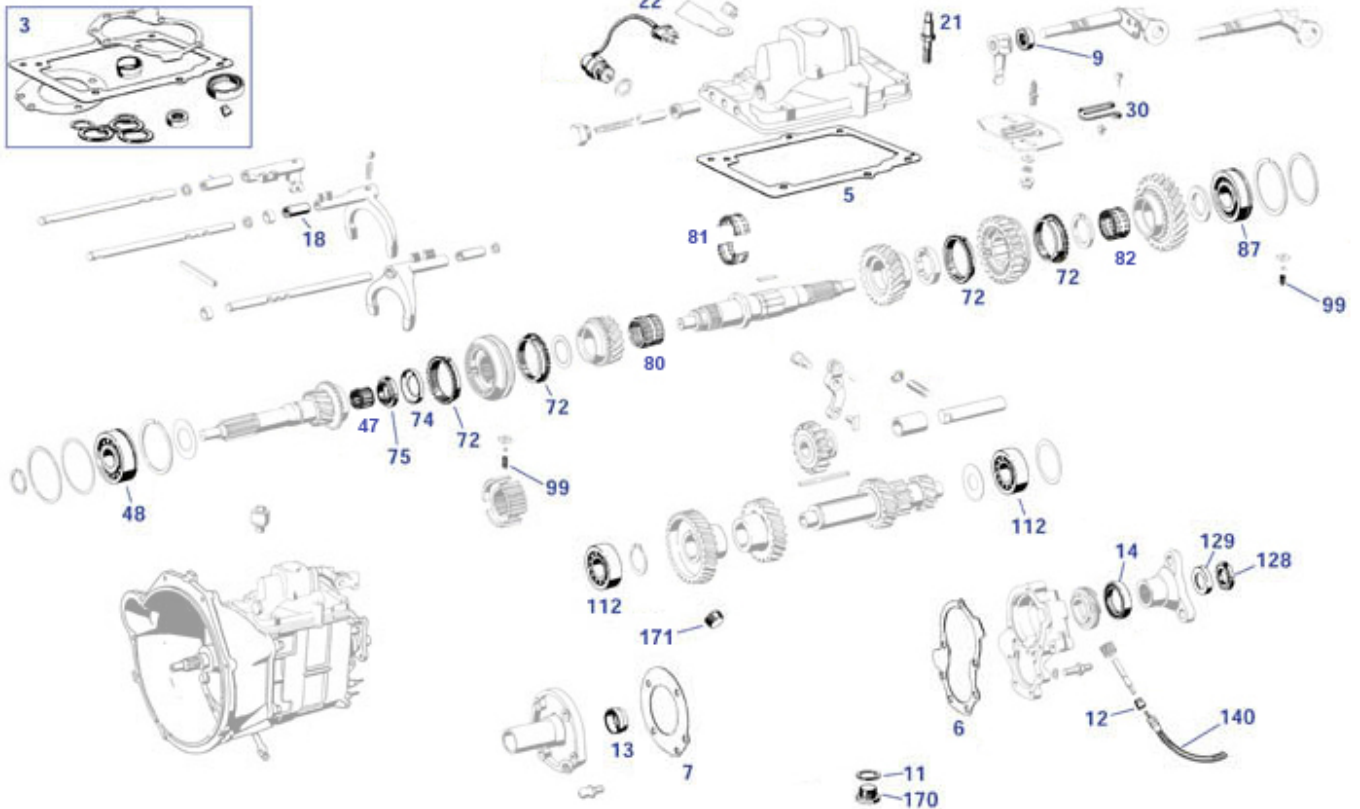


	Cl. rel. bearing 280E/SE +body; not w113 siehe 229008	225804	€ 70,00		Clutch disc 230SL; 228mm	225700	€ 30,68
		229808	N/A	1	Rubber pad, brake and clutch pedal, no name	229005	€ 4,71
2	A1112910086 Stop buffer, pedals	229015	N/A	3	A4254260053 Bush, main, brake pedal lev	229025	N/A
4	A1102950250 Bush,clutch pedal rod	229026	N/A	4	Nut, M8x1 slim, e.g. throttle shafts,..	107036	€ 0,56
5	A1102910750 Bush, clutch return spring	229028	€ 23,50	9	113: Handschuhkasten, 107: Feststellbremse (254101	€ 402,03
10	Mounting aid clutch alignment	258250	€ 94,00	10	Clutch disc R113; 107-2.8 4-speed, F&S	225000	€ 155,62
10	Clutch disc R113, 107-2.8 4-speed LUK	225800	€ 158,29	15	replacement into leaf spring versions will not fit	225905	N/A
15	We would be happy to advice you, Overhaul your use	225006	N/A	15	replacement into leaf spring versions will not fit	225005	N/A
16	Clutch pressure plate 280SL	225002	€ 167,69	19	Bolt 8x22, clutch plate	233064	€ 0,37
20	A1112500115 Releasebearingwithbody230-250	225003	N/A	20	T/O bearing+bushing 250/280SL +sev 6-Cy	225803	€ 219,19
21	F+S 3151137101 Clutch bearing 280SL-113 H30*	225004	€ 337,17	21	Clutch bearing 280SL-113 H30* Repro ref 3 151 137	225704	€ 297,50
23	T/O bearg. w/o sleeve 6-cyl 62-65	425007	€ 83,30	23	Release bearing fits sleeve '65-'68	225807	€ 88,95
23	T/O bearg fits sleeve '65-'68	225007	N/A	25	Seal holder, c.r.m.	225010	€ 11,84
26	Dust boot, rubber, @ clutch lever	125005	€ 5,94	27	A1119931110 Spring, c.r.m.	225011	€ 6,33
28	Plate , cover, gearbox case	225056	€ 33,97	30	230-250SL		
31	Pilot bearing	103093	€ 11,31	32	-NL- Ausrückgabel 230-280SL	225081	€ 354,08
33	Spring clamp	125013	€ 19,85	34	Cover, pilot bearing	103094	€ 1,81
37	A1112950733 Linkage, clutch, 230-250SL	229072	N/A	34	A1119910015 Ball pin, all from G.006111	225012	€ 43,90
				38	Bolt, clutch slave cyl, 230-250SL, ..	229070	€ 30,26

44	clutch-set 1968 - 280, 4gear shift	225702	€ 499,80	45	Clutch master cylinder, 230SL	229008	N/A
45	Clutch master cylinder, 250S/SE/SL, No Name	229809	€ 86,22	45	Clutch master cylinder, 280SL	229004	€ 268,20
45	Clutch master cylinder, 250S/SE/SL, FTE	229009	€ 256,11	45	N/A ! A0002955206 Clutch mastercyl. 280: 113all, 1	229804	N/A
46	Cl.mast.cyl. rpr.kit 230SL, fits FTE+MB	229035	€ 41,59	46	Cl. mast. cyl. rpr. kit 250SL	229036	€ 12,32
46	A0005861529 Cl. mast. cyl. rpr. kit 280	229037	N/A	47	A0002951583 Seal boot, cl. mast. cyl.	229017	N/A
48	Clutch slave cyl. 230-250SL	229002	€ 193,36	48	Clutch slave cylinder 280SL	229003	€ 216,25
48	see 229003	229803	€ 63,08	48	Rest: Clutch slave cyl.,similar OE 0002951907	229802	N/A
49	Bleeder screw, '58->, M6	143012	€ 6,59	50	Bleeder valve cap, brake, steering	143041	€ 2,62
51	Slave cyl.rep.kit 280SL	229033	€ 42,48	51	N/A ! A0005860929 Slave cyl.rep.kit 230SL, 250SL -	229032	N/A
51	Slave cyl.rep.kit 250SL from.	229031	€ 24,89	52	A0002950583 Seal boot,c.s.c., FN	229014	N/A
52	A0002951683 Seal boot,c.s.c., FN	229016	N/A	54	3pcs-assy Bracket, clutch+waterreservoi	229086	€ 61,29
55	Reservoir, cl. hyd. fluid	220102	€ 100,00	56	A0004315433 Reservoir cap	143023	€ 15,55
57	Seal ring in cap	143022	N/A	58	A0004314334 Strainer for reservoir	143024	N/A
59	A0002951083 Hose, cl. hyd. fluid res.	229001	N/A	65	Pipe Clutch Hydraulic, -replacement!	229007	€ 39,98
66	A1132901013 pipe LHD-280, cmc->hose	229029	N/A	66	Pipe, Cl mast.->ho. 250-280LHD M12 thread	229011	€ 44,57
66	Pipe, lower,c.r.m. 230SL LHD, M14 thread	229012	€ 50,62	67	Clamp,small,e.g.hydraulicpipe	229027	€ 3,65
68	Rubbergrommet at firewall	299002	€ 3,05	69	Grommet, 6/27mm,45° hydr.line clutch	298787	€ 2,82
69	Grommet 6/26, 45°, e.g. hydr-line clutc	299001	€ 2,68	73	Brand FTE	229010	€ 47,60
73	Clutch hose 250/280SL M14/W12	229713	€ 18,90	73	A0002950835 Clutch hose 250/280SL M14/W12	229813	N/A
73	Clutch Hose 230SL F14/M14	229810	N/A	74	A1082950050 Bushing,rbr.,c.m.c. 250-280	229022	N/A
98	Bolt M8, eg bellhouse at slave cylinder	299229	€ 4,30	98	Spring washer	222005	€ 0,44

26.a Gearbox (manual)

26.a Gearbox (manual)



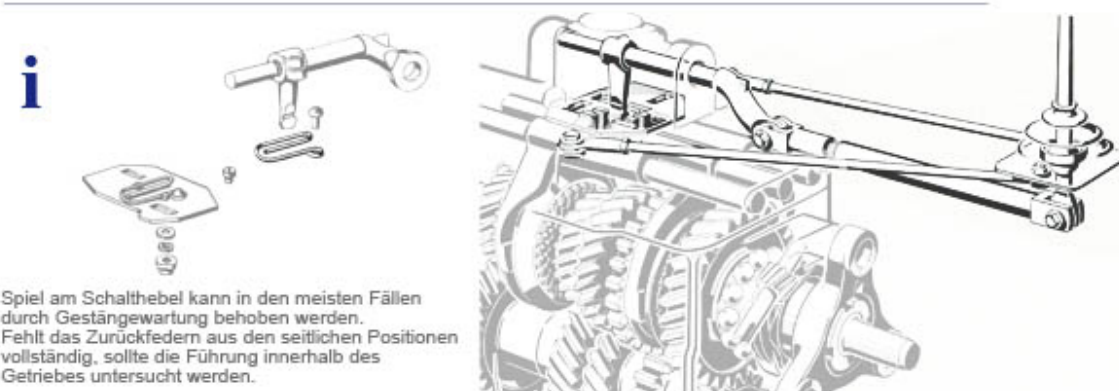
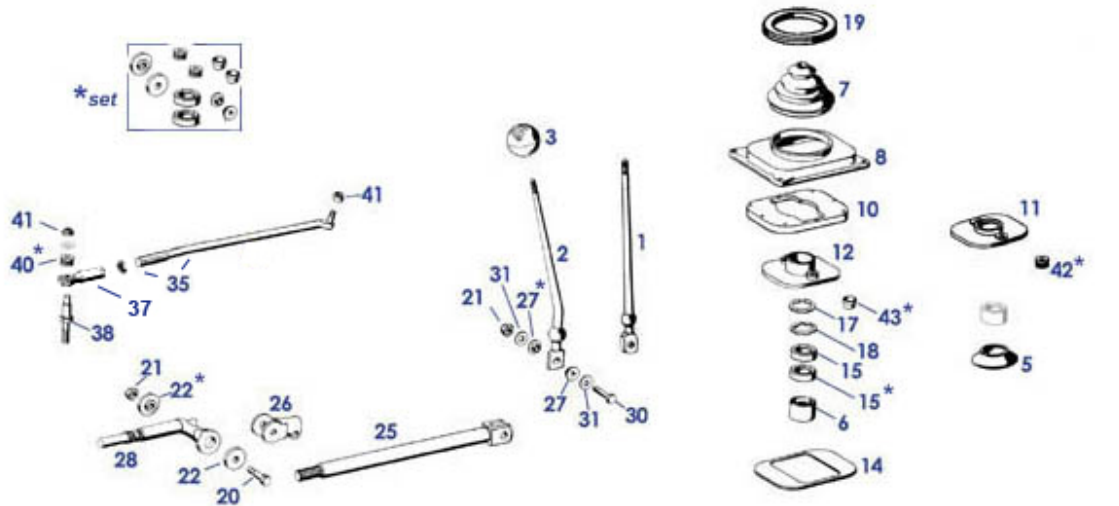
	washer 7,4 X 14 X 1,6 zinc plated	226124	€ 0,14		Synchronizing ring, per piece	226750	€ 89,90
	A113260080480 Gear box, exch. 280SL	226280	N/A		see 126871	126071	N/A
	--> see 126015	226115	N/A	1	A113260050480 Gear box, exch. 230-250SL	226230	N/A
3	Gasket set 5-speed ZF, late 280	226295	€ 232,05	3	226876 2X 226859 2X 226056 1X 226058 1X 226061	226860	€ 809,20
5	Trans. top cover gasket 025118	126015	€ 7,60	6	Gasket, gear box rear	226712	€ 12,30
6	Rear Gasket, Gear Box	226112	€ 12,30	7	Gkt. gear box front, -> 09.64	126019	€ 12,95
7	Gkt.gear box front, 230SL from G 006111, 250-280SL	226049	€ 11,42	7	Gkt.gear box fr. 250-280SLFN	226749	€ 10,70
7	Gkt. gear box front, -> 09.64	126719	€ 11,89	9	Seal ring gear link / housg-top	226012	€ 3,68
11	Seal Ring gear box drain plug	226047	€ 0,44	12	Gasket for speedometer shafts with groove. Only su	254119	€ 10,71
12	Seal ring speedo/rev drive	126039	€ 4,88	13	Seal ring man-gear driveshaft, OD=47mm	526042	€ 3,68
13	Seal ring e.g. gear driveshaft IN, OD=3	126042	€ 4,25	14	Seal @ transmission	126030	€ 7,31
15	A1362650048 Rod, actuator, man. gear bo	126024	N/A	16	A1539920005 Bushing for interlock pi	126021	N/A
17	A1362650093 Pressure spring shim,selector, man. gb. 1mm	126023	N/A	18	Sleeve, selector rod	226164	€ 3,05
19	shim,selector, man. gb. .5mm	242266	N/A	19	A1119903440 Washer, 0.3mm for selector	226163	N/A
21	Bolt, gear box top, from 12.65	226144	€ 16,72	20	A1132600038 Shaft,shifting	226029	N/A
22	N/A ! 2-pole-connector (m), hsg w.pos-nose	754157	N/A	21	Bolt, shift shaft bearing ->11.65	226142	€ 17,78
23	Spring clip for Rt.+Lt. cable	254071	€ 0,83	22	A0005451206 Switch,reversing lights	226008	N/A
23	Part of housg. 2-pole connector w.nose	754955	N/A	23	contact pin 4mm brass silver plated	754956	€ 0,54
25	hex.socket head cap screw M7X20 fits to 233077	233074	€ 0,92	25	A1982680033 230SL lever pin	226063	N/A
28	A1362650153 Sleeve, selector rod	226165	N/A	27	A1362650081 Pin, selector rods	226161	N/A
30	Spring at shift link	126014	€ 14,33	29	A1842650053 Sleeve, selector rod	226166	N/A
33	A1362650404 Shifting rod 1st & 2nd gear	226070	N/A	31	A1362650247 Guide bolt	126016	N/A
				34	A1862650701 Shifting fork 1st & 2nd gear	226071	N/A

35	A3772650105 Shift rod 3/4 gear	226065	N/A	36	A3092650102 Fork 3./4. gear	226072	N/A
37	A1362650204 Shift rod, reverse gear	226067	N/A	38	see 799911	142913	N/A
39	A1362650272 Hex nut	126017	N/A	40	A1802650107 Reverse link	226069	N/A
41	N005401308000	226169	N/A	42	A1869931301 Spring, selector fork deten	226168	N/A
45	A1122600520 Input shaft 230SLFN	226130	N/A	45	A1112601320 Input shaft 250-280SLFN	226131	N/A
47	Roller cage bearing, copper version	226056	€ 59,45	49	A1232620494 Circlip, input shaft, front	226081	N/A
50	A1862620451 Spacer ring	226082	N/A	51	A1362620652 Shim 0.1 thick	226121	N/A
51	A1362620752 Shim 0.2 thick	226122	N/A	51	A1362620852 Shim 0.3 thick	226123	N/A
56	A1862620066 Oil slinger ring	226085	N/A	70	A1802620105 Main shaft FN	226045	N/A
72	Synchronring	226850	€ 22,49	72	Synchronizing ring, per piece, Repro, nose-width 1	226050	€ 26,18
73	Synchronizer body for 3rd & 4th gear	126070	€ 823,88	74	Lock washer,nut, main sht. fr.	226054	€ 3,25
75	Nut, main shaft M26x1,5	226055	€ 15,92	76	A1202622362 Shim, main shaft	226093	N/A
77	A1112600444 Pinion, 3rd gear 280SL CN .	226136	N/A	77	A1112600344 Hel.gear 3.sp.->280SL Ch.01	226086	N/A
78	Sync. inner mech. ->280SL CN.001679	226160	€ 121,12	79	A1202621662 Shim 7,9mm	226097	N/A
79	A1202621862 Shim 8,0mm	226098	N/A	79	A1202622062 Shim 8,1mm	226099	N/A
80	A0049810710 Ndl. brng., 3rd gear,230-25	226064	N/A	80	Needle bearing, 3rd gear,23	226057	€ 171,35
81	needle bearing set, main shaft	226058	€ 255,28	82	needle bearing main shaft for 1st gear	226061	€ 235,00
83	A1102600019 Helical gear, 1st gear	226062	N/A	86	A1202620081 Key, main shaft	226068	N/A
87	Ball bearing, main shaft	226959	€ 82,38	87	Ball bearing, main shaft	226859	€ 48,93
87	Ball bearing, drive shaft, 5-speed box 35x80x21	226559	€ 15,57	87	Set main roller beargs 5-speed ZF	226297	€ 428,40
89	A1202621562 Thrust ring 4.6mm	226129	N/A	89	A1202621362 Thrust ring 4.5mm	226128	N/A
89	A1202621162 Thrust ring 4.4mm	226127	N/A	90	A1112600945 Synchronizer body 1/2 gear	226060	N/A
90	A1112600745 Synchronizer body	226052	N/A	91	A1102600119 Hel. gear 230SLFN,250-280SL	226080	N/A
92	A1862620162 Guard plate 3.8mm thick	226087	N/A	95	A1369940635 Snap ring 1.9mm thick	226084	N/A
96	A1362620952 Shim 0.3mm	226091	N/A	96	A1362620452 Shim 0.1mm thick	226089	N/A
96	A1362620552 Shim 0.2mm	226090	N/A	99	Carrier, Synchromesh mech.gearboxes up to 05.'69	226153	N/A
99	Spring, Synchromesh mechanism	226151	€ 1,90	99	steel ball 6,5 acc. to DIN5401	226152	€ 0,50
100	A1102630902 Lay shaft from 230SL G..012	226147	N/A	100	-NL- Vorg.Welle 230SL G..011320->012575	226146	€ 357,00
106	N900055035300	299058	N/A	107	A1869910368 Woodruff key	126113	N/A
108	A1112630013 Hel.gear 3.speed 230-280SL	226073	N/A	109	A1802630410 Hel.gear 4.speed ->G.011319	226074	N/A
109	A1112630010 Hel.gear 4.speed G.011320->	226092	N/A	111	A1869901840 Protective plate	226075	N/A
112	Bearing gear ratio shaft	226876	€ 24,51	112	ball bearing countershafts, 25x62x17	226076	€ 52,18
113	A6022630452 Distance ring, rear, 0.5 mm	226079	N/A	113	A6022630252 Distance ring, rear, 0.1 mm	226077	N/A
113	A6022631452 Distance ring, rear, 0.25 m	226078	N/A	114	A1202630350 Bush,reverse idler gearwheel	226048	N/A
115	A1202600325 Reverse idler gearwheel	226032	N/A	116	Reverse shaft	126045	€ 190,40
120	A1362600037 Reverse gear lever	126046	N/A	121	A1212630123 Reverse gear bushing	126049	N/A
122	A1112620074 Bolt, reverse gear lever	126146	N/A	127	A1112620045 3-way flange, 90mm	126009	N/A
128	Nut, flange, M24x1,5	126072	€ 21,00	128	Set 3 pcs tools, fitting MB grooved nut	258260	€ 285,60
129	Lock for 3 way flange	126871	€ 4,75	134	A1152600648 Helical gear, speedo take-o	226094	N/A
137	A1102640030 Drive gear, speedo take-off	226095	N/A	138	A1112640032 Shaft,speedo drive	226096	N/A
140	A1135420607 Speedo flex shaft,RHD,man.	254120	N/A	140	Speedo flex shaft>manual	254100	€ 38,35
140	A1135420507 Speedo flex shaft>manual,or	254102	N/A	150	A1982600914 Gearbox cover,upper 230-280	226210	N/A

150	Gearbox cover,upper 230-280SL	226200	€ 155	A1112600821 Gearbox cover,front,230SL I	226221	N/A
155	Gearbox cover, front, early	226220	1.041,25	A1119910015 Ball pin, all from G.006111	225012	€ 43,90
160	A1112600416 Gearbox cover, rear, 230-2	226225	N/A	Bolts, gearbox rear to eng. mountings	226198	N/A
165	A1112600058 Ventilator, casing top	226155	N/A	Mounting bracket, rev. light cable	226154	N/A
169	A1369970830 Screw, locking	226199	N/A	Plug screw with collar, M24	226046	€ 1,64

26.b Gearlever Linkage

26.b Gearlever Linkage



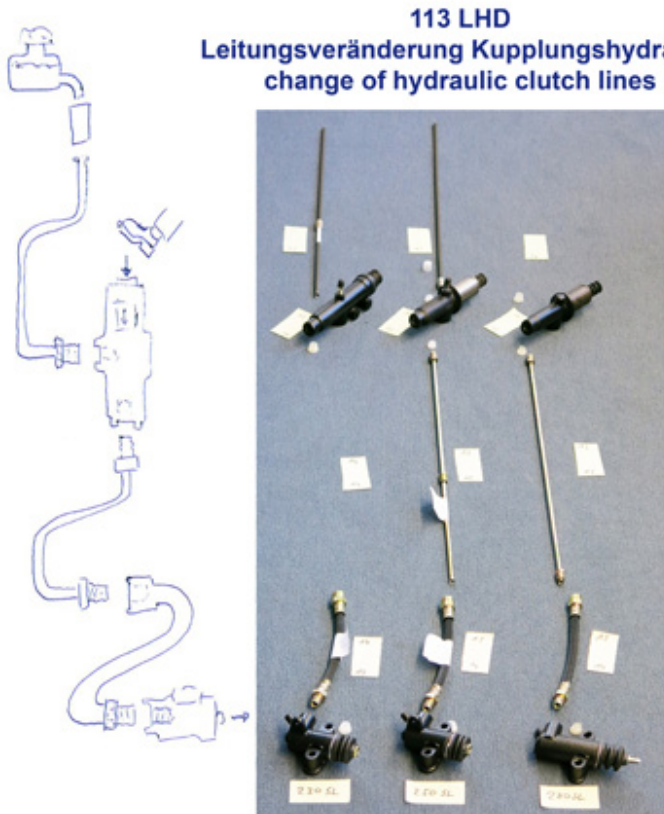
i
Spiel am Schalthebel kann in den meisten Fällen durch Gestängewartung behoben werden. Fehlt das Zurückfedern aus den seitlichen Positionen vollständig, sollte die Führung innerhalb des Getriebes untersucht werden.

	Spring at shift link	126014	€ 14,33	A1112680834 Cover,gear leve	226016	N/A
1	Gear/Shifting leverFN	226020	€ 266,83	2 Shift lever .042 014259->, 043,044	226026	€ 297,02
3	Gear lever knob,black,4 speed, Repro	226000	€ 46,34	3 Knob ivory, 4-speed, push-on, Repro	226002	€ 45,80
3	A111268104226 Gear lever knob,ivory,5 g	226006	N/A	5 Seal boot 230SL early	226014	€ 4,26
6	Seal boot FN	226005	€ 4,26	7 Seal boot on gear lever	226007	€ 8,39
8	Cover, gear lever support 113, 111	226015	€ 53,49	10 Rubber frame shift console	226816	€ 9,94
11	A1112600395 lever base up to 10.'65	226017	N/A	12 Gear lever support from 11.'65	226018	€ 70,03
14	Buffer plate, lever support,lower	226019	€ 8,19	15 Bushing pan gear lever	226833	€ 7,44
17	A0009947041 Lock ring on gear lever	226053	€ 3,80	18 Spring washer	126055	€ 12,25
19	Grommet, gearlever @ carpet	268675	€ 8,93	20 Bolt M7, lever link front eyes	226023	€ 15,89
21	Nut M7, self locking	226024	€ 1,24	22 Bushing gear lever rod	126811	€ 7,20
25	Gear shift rod, repro	226027	€ 270,40	26 Fork flange, shifting rod	226025	€ 197,60
27	Bushing Gear Linkage (required 4x)	126012	€ 4,75	28 A1132600038 Shaft,shifting	226029	N/A
30	Bolt M7, e.g. gear lever from VIN ..42-10-004926	226034	€ 0,96	30 Bolt, e.g. shift linkage up to ..42-10-004925	226035	€ 10,56
31	Washers,gear lever end bolt,	226028	€ 10,91	35 Reaction rodFN 230 SI after	226036	€ 199,19

37	ref.-No. A1119903540 Banjo fitting, lever support bars, 230 from 014259	226038	€ 131,94	38	014259, 250+280 all Bolt, shift shaft bearing ->11.65	226142	€ 17,78
38	Bold, gear box top, from 12.65	226144	€ 16,72	40	Bushing .042 fr 14259, 043,044	226841	N/A
40	Bushing .042 from ..14259, 043,044	226741	€ 13,47	42	Bushing at Gearb. up to .042->014258	226009	€ 4,75

29.i Info Veränderung der Hydraulikteile

29.i Info Veränderung der Hydraulikteile



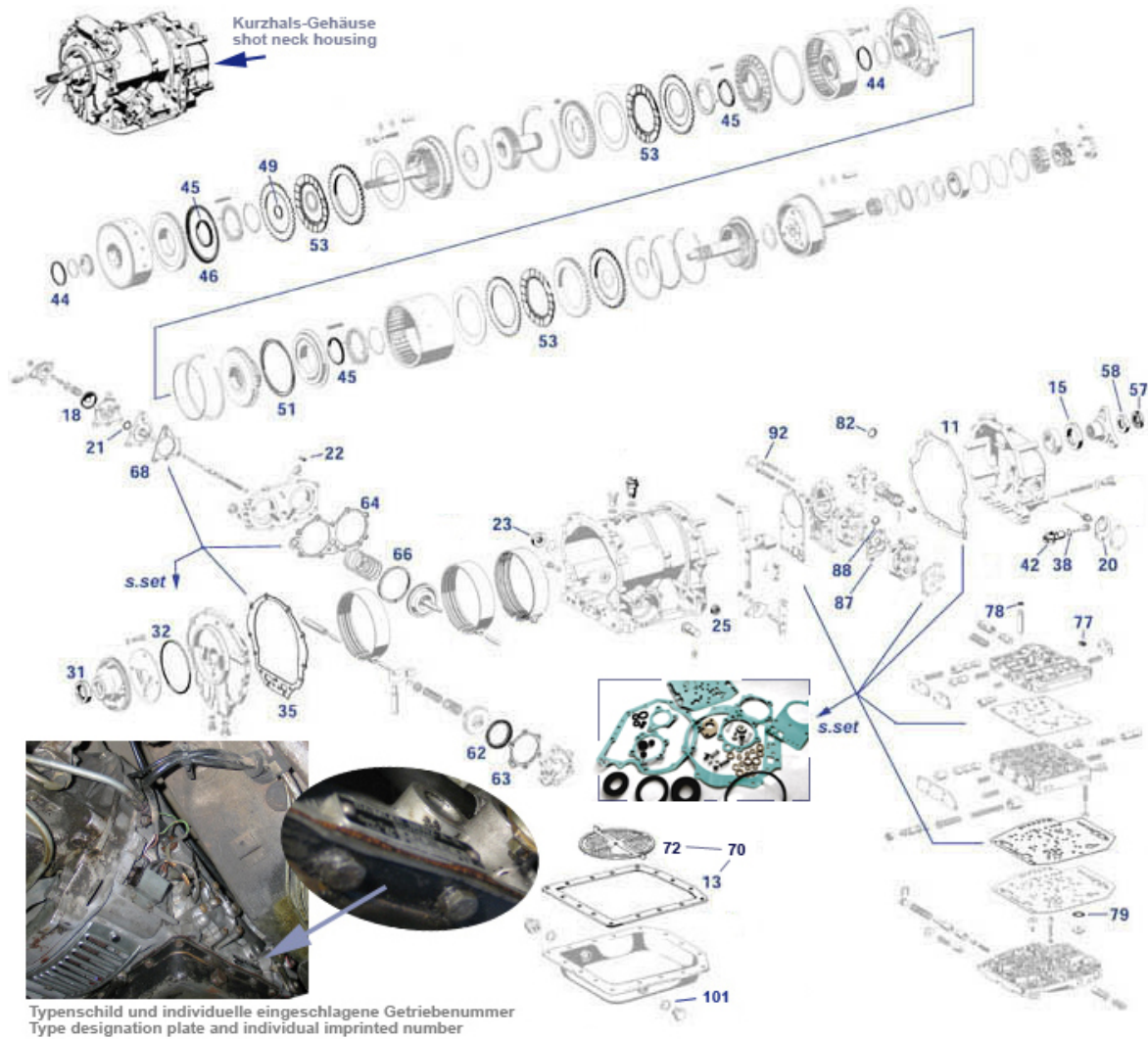
	LHD 230SL	LHD 250SL	LHD 280SL
Verb.-Schlauch Vorrat an obere Leitung Connection Hose Reservoir to upper Pipe	229001	229001	229001
Rohrleitung Vorrat an Geberzylinder Pipe Reservoir to CL-Mastercylinder	229007	229007	229021
Hydraulik-Gewinde Hydraulic Connection Thread	M12	M12	M14
Geberzylinder CL-Mastercylinder	229808	229009	229804
Hydraulik-Gewinde Hydraulic Connection Thread	M14	M12	M12
Rohrleitung Geberzylinder an Schlauch Pipe CL-Mastercylinder to flexible Hose	229012	229011	229029
Hydraulik-Gewinde Hydraulic Connection Thread	M14	M12	M12
Druckschlauch flexible pressure Hose	229810	229813	229813
Hydraulik-Gewinde Hydraulic Connection Thread	M14	M14	M14
Nehmerzylinder Clutch Slave Cylinder	229802	229802	229803

siehe 229008 Clutch slave cylinder 280SL	229808	N/A	Clutch master cylinder, 280SL	229004	€ 268,20
	229003	€ 216,25	229001 A0002951083 Hose, cl. hyd. fluid res.	229001	N/A
229007 Pipe Clutch Hydraulic, -replacement!	229007	€ 39,98	229009 Clutch master cylinder, 250S/SE/SL, FTE	229009	€ 256,11
229011 Pipe, Cl mast.->ho. 250-280LHD M12 thread	229011	€ 44,57	229012 Pipe, lower,c.r.m. 230SL LHD, M14 thread	229012	€ 50,62
229021 -NL- Leitung Vorrat->Geberzyl. 280SL,SE	229021	N/A	229029 A1132901013 pipe LHD-280, cmc->hose	229029	N/A
229802 Clutch slave cyl. 230-250SL	229002	€ 193,36	229802 Rest: Clutch slave cyl.,similar OE 0002951907	229802	N/A
229803 see 229003	229803	€ 63,08	229804 N/A ! A0002955206 Clutch mastercyl. 280: 113all, 1	229804	N/A
229808 Clutch master cylinder, 230SL	229008	N/A	229810 Brand FTE	229010	€ 47,60
229810 Clutch Hose 230SL F14/M14	229810	N/A	229813 A0002950835 Clutch hose 250/280SL M14/W12	229813	N/A

27 Automatic Gearbox

27.a Automatic Gearbox

27.a Automatic Gearbox



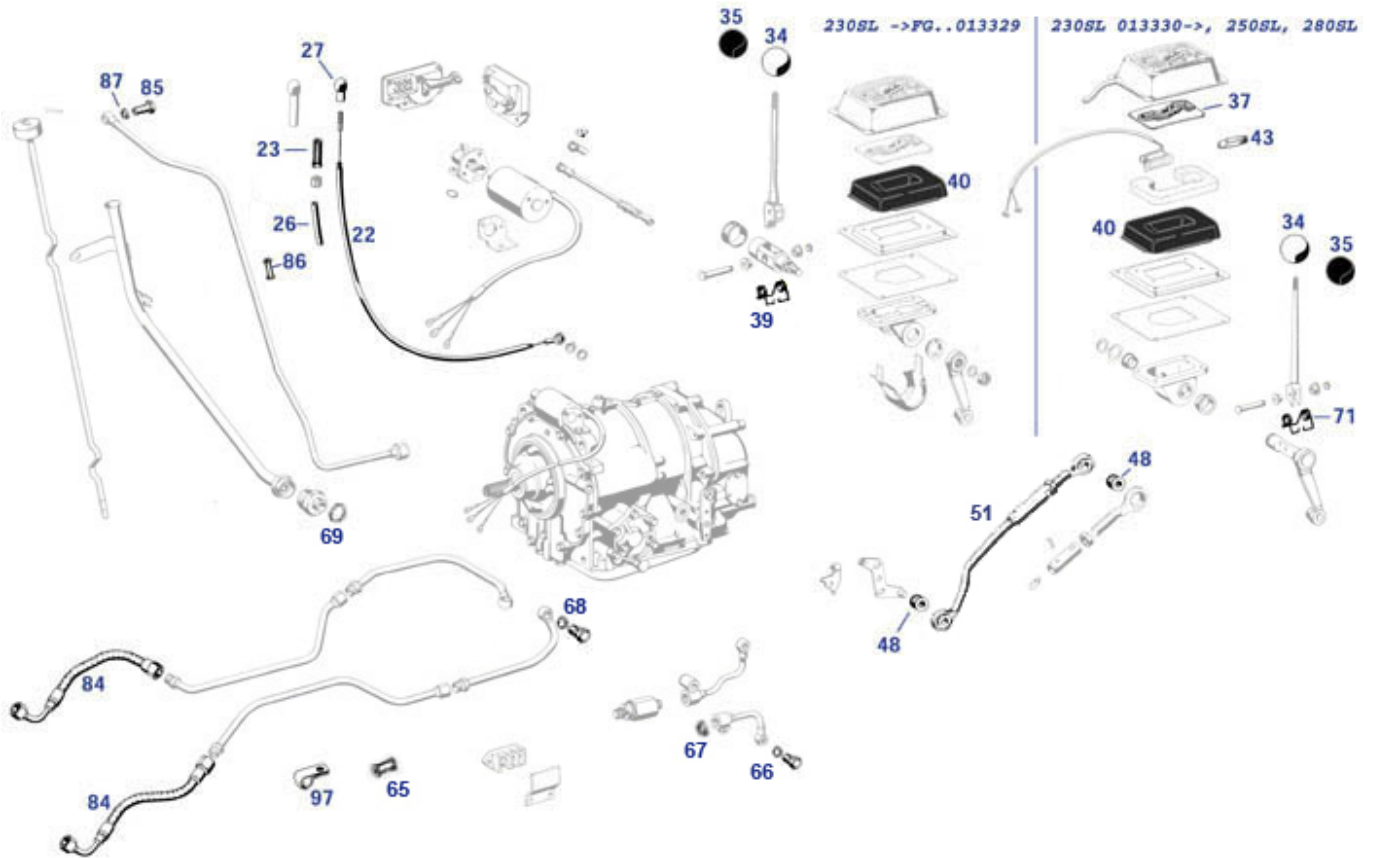
Typenschild und individuelle eingeschlagene Getriebeummer
Type designation plate and individual imprinted number

	del.-t seal	228061	N/A		Set of round gaskets, Repro, autm. transm.	227253	N/A
	A1122700182 Ventilator,autom. from G..0	227155	N/A		A1122772380 Gasket,auto g.b. Housing	227185	N/A
	A1122771480 Gasket,centrifugal regulato	227190	N/A		see 126871	126071	N/A
	A112270093281 Piston, forwards movement	227230	N/A		Metal clutch plate, outer, autom., 3mm	727223	€ 16,24
	n/a Set of pistons, Repro, autm. ctrl unit	227254	N/A		Metal clutch plate, outer, autom., 4mm	727224	€ 16,24
	see 227252	227800	€ 291,55		A1122701389 Valve, autom.	227255	N/A
	A1122770392 Seal ring, autm.control uni	227267	N/A		A1122700097 Secondary pump	227275	N/A
	A1092700293 Driveshaft, secondary pump	227285	N/A		A1122721126 Clutch plate, middle	227311	N/A
	A112270256280	227325	N/A		A11227001800 see 227252	227100	N/A
	A112270266280	227326	N/A		A0019972346 Sealing ring, autom.	227861	N/A
	A1112600058 Ventilator, casing top	226155	N/A		A1122700412 Oil sump	227007	N/A
	Seal ring at autom.clutches ref	227246	€ 8,75		A1122701490 Primary pump with housing	227012	N/A
	A1152720692 hollow bolt M12, e.g. @autom gear lines	107141	N/A		A1122700079 Diaphragm,pressure regulato	227020	N/A
11	A1122711480 Gasket,auto g.b. Rear	227180	N/A	13	Gasket,sump, autom.gearbox	227704	€ 3,50

13	Gasket,sump, autom.gearbox	227004	€ 3,63	15	Seal ring 250/280SL e.g. autm. rr 38x62	227042	€ 6,25
15	Oil seal ring, rear Autm,230SL,111 earl	227041	€ 8,79	18	Diaphragm,pressure regulato	227820	€ 23,80
19	Gasket,vacuum cylinder, ref.-No. A1102770180	227280	€ 7,35	20	Gasket,speedo drive/cover, ref.No. A1122740180	227029	€ 3,87
21	'O' ring	227027	€ 0,58	22	A0009976041 Dust seal, ball pan	227052	N/A
23	A0019972346 Sealing ring, autom.	227061	N/A	25	N006503010100	227065	N/A
31	Seal ring,primary pump, au.	227045	€ 6,62	32	O' ring, primary pump, autm.	227047	€ 2,38
35	Gasket set, Repro, autm. transm.	227252	€ 158,87	35	A1122711380 Gasket,primary pump/auto g.	227120	N/A
39	A1122740032 Drive, 4 edge, speedometer	227070	N/A	40	Shaft, speedometer drive	226030	N/A
41	A1122700627 Speedom.pinion connector	226031	N/A	42	Flange, speedo cable / autm, improved	227826	€ 169,93
42	Gasket for speedometer shafts with groove. Only su	254118	€ 10,89	44	A1002720155 O ring behind primary pump	227055	N/A
45	A1152721492 Disc, autom.	227048	N/A	45	Disc, autom.	227848	€ 13,09
46	A3162720792 Disc, autom.	227046	N/A	49	A3072720255 O Ring, autom..	227049	N/A
51	A1122721192 Ring, autom.	227051	N/A	53	friction disc 113 autom. 2.2mm	227225	€ 25,32
53	Metal clutch plate, outer, autom., 2mm	227224	€ 11,88	53	Metal clutch plate, outer, autom., 3,5mm	227226	€ 16,24
55	A1112620045 3-way flange, 90mm	126009	N/A	57	Nut, flange, M24x1,5	126072	€ 21,00
58	Lock for 3 way flange	126871	€ 4,75	62	Ring, sealing lip, ref. A 112 277 0192	227832	€ 13,09
62	A1122770192 Ring,sealing lip, work pist	227232	N/A	63	A1122771780 Gasket, reverse gear cylind	227235	N/A
64	A1122771980 Gasket,2 part cylinder, Rt.	227220	N/A	66	A1122770055 Ring,sealing lip, work pist	227233	N/A
70	A1122700098	227900	N/A	70	Oil filter w/o seals, from G 006750	227805	€ 112,17
70	Orig Altbestand: LU Filter	227905	N/A	72	Saling strip @ oil filter	227019	€ 3,63
72	Oil filter, separateFN	227009	N/A	77	A1122770392 Seal ring, autm.control uni	227867	€ 4,76
78	Gasket, change lever housing	227063	€ 0,56	79	A0059974145 Sealing ring, change lever	227069	€ 0,60
82	'O' ring, speedo drive	227037	€ 0,58	87	A1122771880 Gasket, secondary pump	227240	N/A
88	A1862770055 O Ring, centrifugal regulat	227038	N/A	92	A1122771680 Gasket, centrifugal regulat	227241	N/A
95	A1122770453 Sleeve, follower, second. p	227085	N/A	101	Seal ring 14mm Alu	207186	€ 1,08

27.b Automatic: Linkage and Connecting Parts

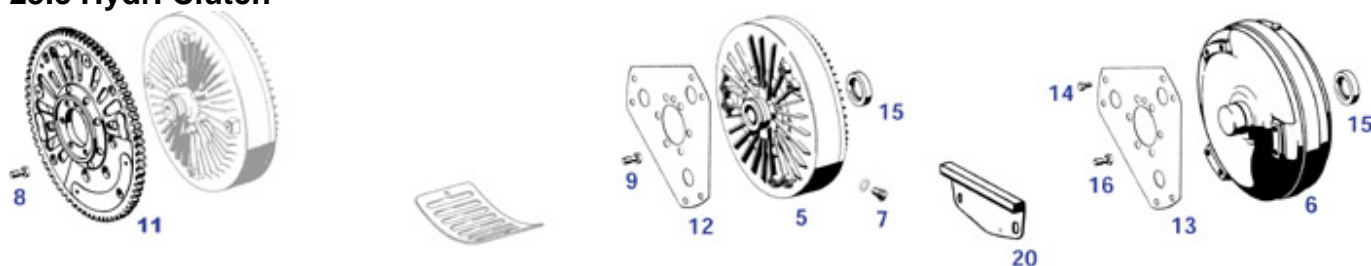
27.b Automatic: Linkage and Connecting Parts



	Gear sel. bearing,lower housing,early	226234	N/A	clamp	107043	€ 17,14
	A1123001015 Pull rod,accel linkage	230027	N/A	Outer frame, gearshift	226104	N/A
	Lighting unit	226105	N/A	Oil cooler pipe rear Rt.	227092	N/A
	NA- lever,gear selector shaft, early	226315	N/A	A1125400273 Oil pipe assembly,Lt.,230SL	227053	N/A
	A1142702247 Pipe, vacuum, automatic	227050	N/A	1 Gear box, exch. 230-250SL	227210	N/A
1	Gear box, exch. 280SL	227200	N/A	20 A0015458724 Starter detent/rev. light s	227002	N/A
21	A0015456724 Switch, auto., 6 way USA-AG	227013	N/A	22 A1132600051 Bowden cable for rev.light	227003	N/A
22	bowden cable for reverse light, R113 Au	227803	€ 37,06	23 Adjustable Sleeve for Gear Shift Cable - Automatic	227032	€ 20,10
24	A1139970141 Ring,bowden cable sleeve	227033	N/A	26 rubber hose, protection, 1m	799909	€ 1,00
27	A0009910822 pan replacable into 230003	227015	N/A	28 A1273000086 End piece, lock-out switch	227016	N/A
29	A0005466541 Terminal block, 3 pole	254064	€ 29,99	30 A0003040290 Solenoid, 2 stage	227006	N/A
32	A0009976041 Dust seal, ball pan	227052	N/A	33 A1123040060 Sealing ring, solenoid	227062	€ 6,93
34	Handle,gearshift,ivory	226003	€ 46,34	35 Handle,gearshift,black	226001	€ 51,25
36	A1122670001 Shifting leverFN	226022	N/A	37 Repro, made in Germany	226201	€ 20,85
37	Repro, imported	226101	€ 17,45	39 Spring, Autom lever base up to ca 09.'65	226318	€ 27,49
39	Spring, Autom lever base from ca 09.'65	226319	€ 37,49	40 Rubber grommet Autom. shift	226103	€ 58,25
43	Bulb 12V / 3W, torpedo, total length 30	226102	€ 2,53	45 Bushing,Autm.shift link FN	226110	N/A
46	A1132670850 Bushing,shift link,Rt. FN	226117	N/A	48 Bushing,shift rod front/back	226043	€ 3,55
49	A1132670950 Bushing,shift link, small	226118	N/A	50 Bushing	226042	€ 41,65
51	Automatic gear shift rod ...0533	226040	€ 199,00	52 Insert for push rod sleeve (autm-lever)	226044	€ 35,69

54	Cover, for wire terminal @ autom-housing	254009	€ 33,24	56	A1122670120 Gear selector bearing, lowe	226235	N/A
57	foam insert, autm. lever box	226107	€ 19,75	58	insulation pad, autm lever box	226106	€ 16,66
65	Grommet for oilpipe, autom.	227059	€ 2,96	66	Sealing ring ID8, eg. for hollow screw	220011	€ 0,10
67	Alu seal ring M12, eg. eng. block@chain	107143	€ 0,24	68	hollow bolt M12, e.g. @autom gear lines	107141	N/A
69	Seal ring 14mm Alu	207186	€ 1,08	71	A1129930120 Spring,gear sel.lever 230SL	226108	N/A
72	A1122670074 Bolt, selector lever to sha	226109	N/A	73	A1122670150 Bush on gear selector sprin	226114	N/A
76	A1132670503 Shaft, gear selector 230SL,	226310	N/A	77	A1132600439 Shaft, gear selector, late	226320	N/A
78	A1132600339 Selector lever, automatic	226300	N/A	80	A1132700284 Auto g.b. oil filler tube	227010	N/A
83	A1162700083 Dipstick, auto g.b. 250-280	227097	N/A	84	Hose, autm. oil to rad L or R	227901	N/A
85	Hollow screw on suction pipe	227022	€ 2,05	86	Protective sleeve,vacuum pipe	227858	€ 5,36
87	Seal ring 10x13,5, Alu, e.g. sender, hollow bolts	227023	€ 0,50	89	A1125400173 Oil pipe assembly,Rt.,230SL	227054	N/A
90	A0015421317 Oil pressure switch, autom.	254117	N/A	91	A1112700796 Oil cooler pipe rear Lt.	227091	N/A
93	A1132700396 Oil cooler pipe front Lt.	227082	N/A	94	A1232700396 Oil cooler pipe front Rt.	227094	N/A

25.c Hydr. Clutch



	Cover, for wire terminal @ autom-housing	254009	€ 33,24	5	A1112501502 Hydr. cpling. 230SLFN,250SL	220105	N/A
6	A1302500902 Fluid flywheel 280SL	220103	N/A	7	A1809970530 Plug screw	220199	N/A
8	Flywheel stretch bolt	103029	€ 9,98	9	A1089900119 Bolt, tensile, 230SLFN	203026	N/A
11	A1800302105 Flywheel, 230SL, FN . au.FN	203057	N/A	12	disc, flywheel to autm drive 127FN,110	203105	N/A
13	A1080320106 Take-up disc 250-280SL	203106	N/A	14	Bolt, torque converter	227299	N/A
15	Seal ring,primary pump, au.	227045	€ 6,62	16	Bolt, flywheel Autm. 129-130, 127FN	203027	€ 55,00
20	Plate , cover, gearbox case	225056	€ 33,97	20	Cover plate eng-to-autm flange early	225058	€ 95,72

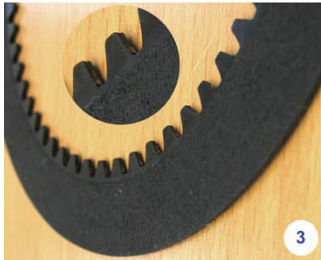
27.i Info Belagzustand

27.i Info Belagzustand



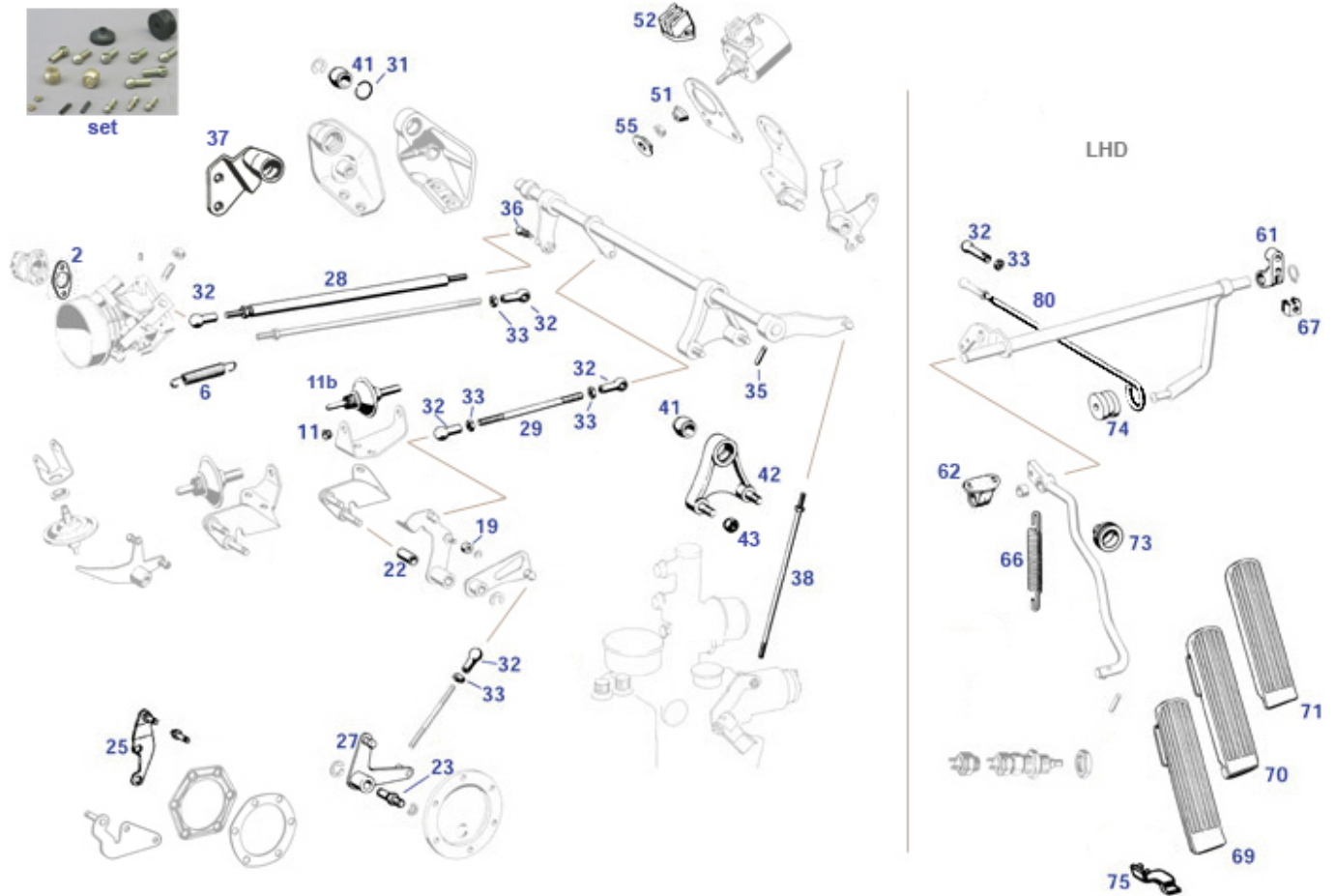
Info Belagzustand - Indikator Getriebeöl:
die Demontage der Getriebeölwanne ist einfach und liefert gute Hinweise: An Filter und in Ecken der Ölwanne sammeln sich zuerst die Zeugen verschlissener Bremsbänder oder Kupplungen.

- 1: Innenlamelle Neuteil.
- 2: Belagstärke OK, aber Öl verrußt durch Abbrand anderer Beläge.
- 3: Verschleißgrenze des Belages erreicht, Schaltvorgänge noch OK.
- 4: Schaltvorgänge beginnen zu rutschen, Einstellversuche am Modulierdruck können das Problem noch kurzfristig verlagern.
- 5 + 6: vollständiger Belagverlust führt zu Verschleiß der Außenlamellen. Nicht selten werden die Getriebe noch über viele Tausend Kilometer weiter gefahren.
- 7: Verzug infolge Lamellen-Überhitzung. Metall-Abrieb im rußverdunkelten Öl führt zu erheblichen Folgeschäden im restlichen Getriebe.



30 Acc Linkage

30 Acc Linkage

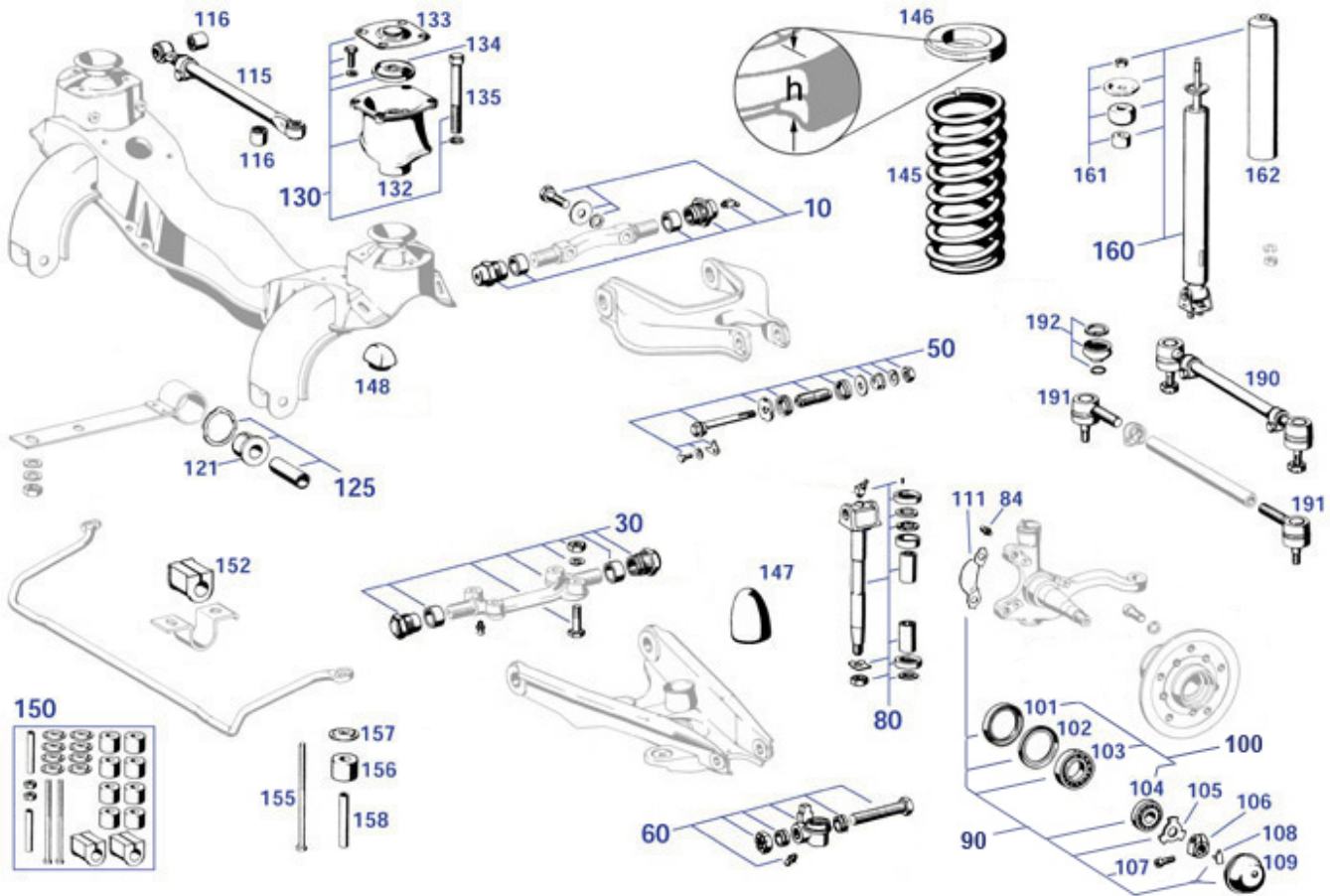


	Dampening rubber for pull rod	130200	€ 11,75		A1270701522 Link lever, E127 to E011152	207043	N/A
	A1270702024 ACC linkage shaft support L	207088	N/A		ACC linkage shaft 230/250SL	207080	N/A
2	A1800720393 Roller,throttle, in link A0005453304 Tickover switch, mc., US	207073 254085	N/A N/A	2	Clamp, vacuum line at support Gasket,idler switch,metal	243879 214080	€ 5,36 € 3,69
2	Cap, throttle flap shaft	214074	€ 55,22	6	Spring, throttle flap	230017	€ 15,93
11	Accel.shut off damper, shape see photo	207116	€ 109,00	11	A1270720550 Bushing, ACC damper	207089	N/A
19	nylon roll für acc linkage levers with gate	207873	€ 1,96	22	A1800720350 Bushing,connector lever	230010	N/A
23	Bushing, acc linkage near engine support	230015	€ 5,43	23	A6160720074 Bolt, to engine	230014	N/A
25	support acc linkage at engine support	230018	N/A	27	Lever, acc linkage, see picture	230016	€ 97,50
28	A1300701875 Linkage, accelerator	230033	N/A	28	Push rod, acc-link, 280mm L/R-thread	230032	€ 85,88
29	Pull rod, link to acc turn shaft	230835	€ 19,36	29	see 230835, pull rod	230035	N/A
31	A0009945435 Snap ring	207083	N/A	33	Nut, 5mm, right hand thread	199095	€ 0,24
33	Nut, 5mm Lt. Hd. Threads	230006	€ 0,83	35	spring type straight pin 4 X 18	230007	€ 0,51
36	Ball headed bolt	230008	€ 1,67	37	N/A ! A1270702740 Support, acc.link shaft up to	230040	N/A
38	see 230809: Push rod to injection pump	230009	N/A	38	Push rod, acc link to inj-pump, R+L-thr	230809	€ 24,51
40	A1290700324 Throttle link support,Rt.	230012	N/A	41	Brass bush,throttle link support	207085	€ 3,99
42	ACC linkage shaft support LH, eng 127-130E	207788	€ 127,20	43	Special nut, acc linkage support to mount LH	230029	€ 3,57
50	Solenoid A0000720500	207100	€ 51	51	Grommet, acc linkage solenoid	207899	€ 3,93

			1.249,50			
51	Bracket, solenoid	207201	N/A	51	A0019970681 Grommet, solenoid	207099 N/A
52	A0005467041 el.clamp, see154052	254063	N/A	52	authentic Repro similar Kostal Bakelite 20490	154052 € 44,85
55	collar nut, e.g. Solenoid pin	299334	€ 13,66	61	Bracket, ACC-shaft, holes vertical	230013 € 75,08
62	mount, acc shaft, e.g. 113 lh, others	230042	€ 52,00	64	A0005451706 Switch,kick-down	229006 N/A
65	A1129900151 Screw cap, kick-down switch	230031	N/A	66	Spring, e.g. throttle linkage R113	199091 € 20,29
67	Cage nut M6, no locking	188835	€ 1,90	67	replaceable into 188835	188035 N/A
69	Accelerator pedal, 113 manual	230000	€ 91,93	70	Acc.pedal R113-autom. cplt.	230100 € 130,00
71	Ruber pad, accelerator pedal	230001	€ 26,18	72	A1133000204 Accelerator lever	230022 N/A
73	Grommet,acc. Pedal,bulkhead	299006	€ 4,19	74	Dampening rubber for pull rod 45 SHORE A	130800 € 6,39
74	Buffer ring, acc linkage (60°SH)	230800	€ 6,39	75	adaptable to RHD with some work	261140 € 41,00

32, 33 Front suspension

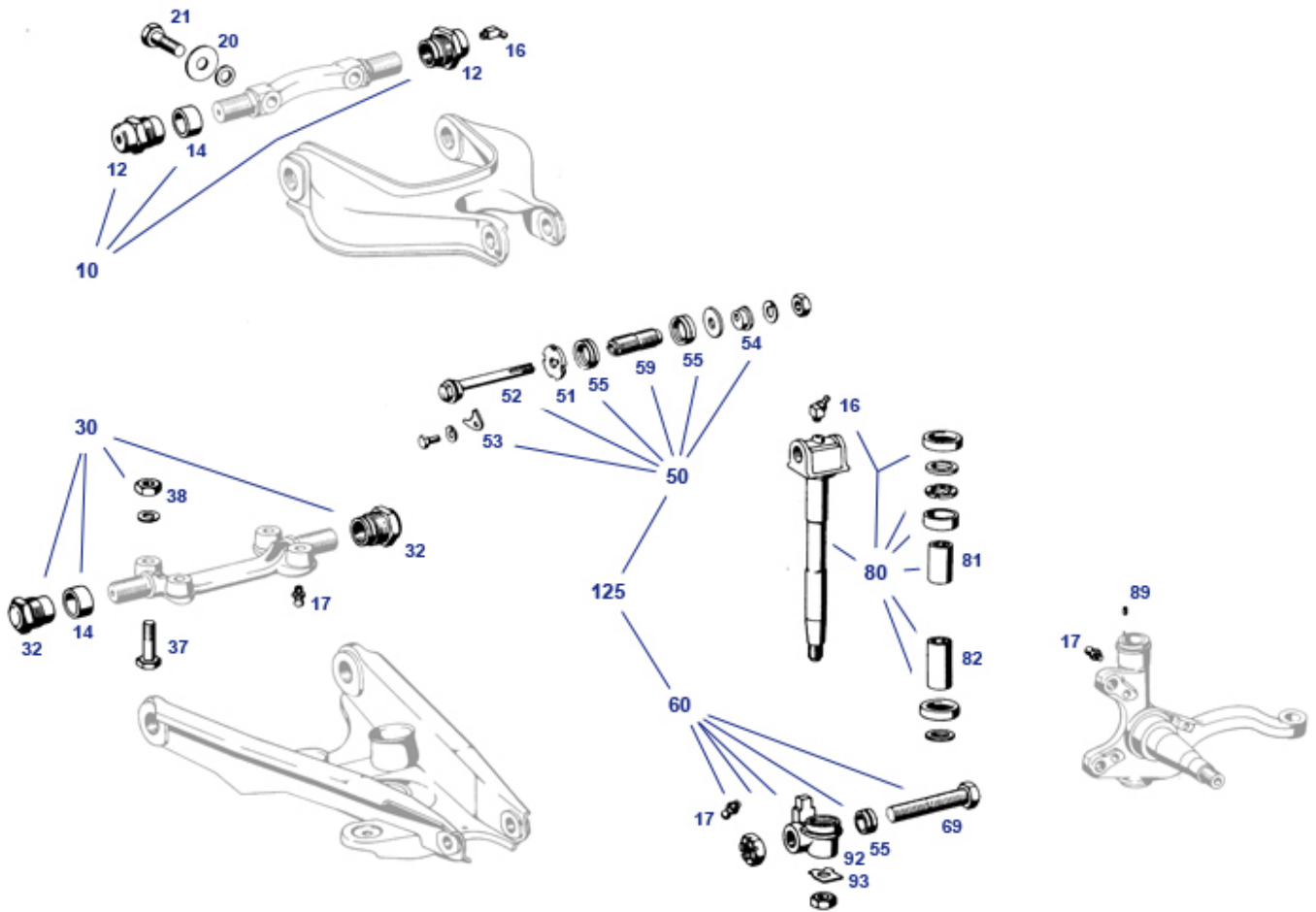
33.a Front Axle



Bush, king pin, lower=L45mm	233053	€ 14,28	A1083300120 Stub axle rt. '67->	233025	N/A
Lockung Nut M8, e.g. damper	299333	€ 0,76	Washer 15mm	233104	€ 0,76
A1133230265 Torsion bar, FN	232030	N/A	Spring washer M14	233103	€ 0,50
Spacing sleeve leaf spring frt	233098	€ 8,20	Spacer	233097	€ 10,00
N/A :Rest: Mount, coil spring 20mm, diam.problem	232811	N/A	Mount, coil spring 25mm, diam.problem	232813	€ 38,79
mount, coil spring 30mm	232814	€ 35,69	A0003300485 Boot w/attaching ring	233093	N/A
A1083300020 Stub axle lt. '67->	233015	N/A	see 233020	233021	N/A
A1113330230 Swinging arm pin, in/up.	233022	N/A	Kurz-Satz Lenker u.in./1Seite 108-113	233031	N/A
Shock absorber R/C107,114-5 front, KONI - Classic	732103	€ 210,00	A1113330330 Swinging arm pin, in/lw.	233032	N/A
Threaded bushing, 30.9mm, with groove	233036	€ 23,99	Threaded bushing, 29.9mm, no groove	233037	€ 23,99
A1123340501 Wheel hub front	233040	N/A	M12 DIN 127 lock washer	233042	€ 0,39
Lock plate	233043	€ 2,58	Bolt for Control Arm Mounting Pin	233044	€ 9,52
A1123303107 Swinging arm,upper,ltf.or r	233045	N/A	hex nut M12 X 1,5 zinc plated class 10	233046	€ 1,58
Bolt 8x22, clutch plate	233064	€ 0,37	A1133300077 Plate ,rubber buffer	233061	N/A
King pin security washer	233051	€ 3,21	Bush, king pin, upper, FEBI	233052	N/A
Seal Ring, upper & lower	133015	€ 8,45	Cap for grease nipple, red	333048	€ 0,65
Buffer, rubber,subframe mount, B-quality	233760	€ 42,42	galvanized Spring washer M8	233059	€ 0,21
Grease nipple, M8, 45°, FEBI	133048	€ 0,57	Tab washer, eccentric bolt	133016	N/A
N/A ! A1203330374 Eccentric bolt	133017	N/A	Threaded bushing	133018	N/A
A1203300187 Eccentric bush	133019	N/A	toothed washer, adjuster at upper ctrl arm	133023	€ 0,89
set steering rod with special screw and washers	246660	€ 38,08	A1203320262 Thrust washer,king pin,uppe	133026	N/A
A1203320162 Thrust washer,king pin,lowe	133027	N/A	Spring washer 14mm e.g. cam wheel	105028	€ 0,55

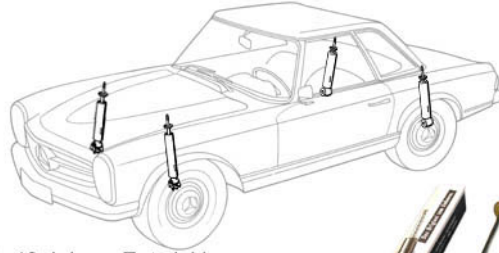
	King pin bearing ot/lw.	133031	€ 43,89		Bolt, king pin br. ot/lw	133032	€ 10,17
	Threaded bush, 29.9mm (no groove)	133038	€ 25,25		Threaded bush, 30.9mm, with groove	133039	€ 25,29
	Sealing rings, Upper or lower	133041	€ 2,05		A1363320852 Distance ring, lower, 1.7mm	133061	N/A
	pin 2,5 m6 X 6	233750	€ 0,31		A1363320952 Distance ring, lower, 1.9mm	133062	N/A
	A1363321052 Distance ring, lower, 2.1mm	133063	N/A		A1363320052 Distance ring, lower, 2.3mm	133064	N/A
	A1363320152 Distance ring, lower, 2.5mm	133065	N/A		A1363320252 Distance ring, lower, 2.7mm	133066	N/A
	Hexagonal nut 10 M8, galv. Verz.	990101	€ 0,15		Screw W108 front cross member	233067	€ 0,43
	Bolt, strut to frt axle,M16x80	233106	€ 2,56		Spring washer	222005	€ 0,44
	Castle nut M10X1, thin shape, early joint	133706	€ 2,45		Cotter pin 2,0 x 25, e.g. tie rod nuts	299460	€ 0,12
	Split pin 3x36	133059	€ 0,18		Washer at clamping nut, no inner pintle	233972	€ 27,97
	As long as stock lasts!: Rubber buffer ring	232979	€ 3,00		A1113320106 King pin, only	233054	N/A
50	Control arm rep. kit, upper outer, FEBI	133010	€ 47,67	50	Repair kit, control arm outer, lower+upper 1 side	133025	€ 80,50
60	Control arm rep. kit, lower outer, FEBI	133030	€ 61,17	80	King pin repair kit	233050	€ 79,79
84	Grease nippleFN	233048	€ 0,26	90	incl. cap and copper leaf, no clamping nut	233880	€ 39,88
101	Vgl.-No: A0039979346, Ab Baujahr Achsen Ponton sp	142625	€ 8,88	102	Bearing retainer ring 06.61->, orig.	142600	€ 79,67
102	Bearing retainer ring 06.61 ->	142608	€ 23,75	103	Wheel bearing, inner, 06.61 -> 89	142580	€ 7,14
103	Wheel bearing, inner, 06.61 -> 89, FAG	142680	€ 15,92	104	Wheel bearing, outer	142630	€ 4,58
104	Wheel bearing, outer, FAG	142730	€ 25,26	105	see 133972 and 233972	233072	N/A
106	Clamp nut multiple cars from 1956-1985 A120334	233077	€ 32,53	107	hex.socket head cap screw M7X20 fits to 233077	233074	€ 0,92
107	hex. socket head cap screw 10.9 M6 X 20,	233076	€ 1,08	108	Contact	233078	€ 1,56
109	Cap, front wheel bearings 110-115, ..B-quality	B233079	€ 5,30	109	Cap, front wheel bearings 110-115, ..	233079	€ 7,96
111	locking plate, caliper frt '66-12'76	242008	€ 6,19	116	Rubber mounting, tie rod	298777	€ 5,31
121	Rubber bushing, orig quality	233096	€ 24,86	121	Rubber bushing, import quality	233896	€ 9,88
132	Buffer, rubber,subframe mount	233060	€ 96,52	133	Buffer plate, subframe upper mounts	233861	€ 35,14
134	stopper shim	233062	€ 13,99	135	hex.head screw M12 X 1,5 X 90, cross member	233063	€ 1,80
145	Front spring, lft or rgt,std.	232010	€ 124,95	146	Mount,coil spring, 25mm	232012	€ 57,37
146	Mount,coil spring, 20mm	232011	€ 57,37	146	Mount,coil spring, 30mm	232013	€ 57,37
146	Mount,coil spring, 27.5mm	832014	€ 57,37	146	Mount,coil spring, 22.5mm	332015	€ 57,37
147	Rubber buffer, lower ctrl arm	233066	€ 5,95	148	Rubber buffer, upper ctrl arm	233065	€ 9,76
150	z.B. 280SL, 250SL from FG ..05165	233070	€ 86,06	150	z.B. W113: 230SL, 250SL up to FG ..05164	233071	€ 95,63
152	Rubber 18mm for torsion bar 20mm	232050	€ 16,33	152	Rubber 20mm for torsion bar 22mm	232002	€ 18,75
153	A1113231140 Bracket,torsion bar	232003	N/A	155	Bolt,torsion bar/ swg.arm	232016	€ 8,56
156	Buffer,torsion bar/ swg.arm	232017	€ 10,20	157	A111323026702 Washer,torsion bar/ swg.a	232018	€ 3,57
157	Prevailing torque type hexagon nuts	232026	€ 0,56	158	Spacer tube,torsion bar/ swg.arm	232019	€ 6,25
160	Sachs shock absorber W113 front, per piece	232112	€ 109,85	160	Shock absorber, gas, Bilstein	232101	€ 284,40
160	Shock absorber front W108-111, 113, KONI - Classic	232103	€ 164,90	162	A1113230138 Protect sleeve,shockers	232102	N/A
191	Spurstangenkopf, Rechtsgewinde	233992	€ 10,98	191	Tie rod end, Rt. thread, brand Meyle	233192	€ 8,60
191	Right Tie Rod end -"Febi"	233092	€ 7,25	191	Tie rod end, Lt. thread, brand MEYLE	233191	€ 8,60
191	Left Tie Rod end -"Febi"	233091	€ 7,25	191	Tie rod end	233991	€ 16,92
192	Split pin 2,5 x 25, fits crown nuts seering linkag	133007	€ 0,24	232835	Washer upper shock mount	232835	€ 4,99
232879	Rubber buffer ring	232879	€ 3,24	232989	Hex nut M10 fine, e.g. shock-absorber	232989	€ 0,70
233199	Bolt, M8x35, fits drag links	233199	€ 0,44	243101	A0009907212 Brake disc bolts	243101	N/A

33.c separate items control arm bearing



12	Threaded bush, 29.9mm (no groove)	133038	€ 25,25	12	Threaded bush, 30.9mm, with groove	133039	€ 25,29
14	Sealing rings, Upper or lower	133041	€ 2,05	16	Grease nipple, M8, 45°, FEBI	133048	€ 0,57
16	Cap for grease nipple, red	333048	€ 0,65	17	Grease nippleFN	233048	€ 0,26
20	Lock plate	233043	€ 2,58	21	Bolt for Control Arm Mounting Pin	233044	€ 9,52
32	Threaded bushing, 30.9mm, with groove	233036	€ 23,99	32	Threaded bushing, 29.9mm, no groove	233037	€ 23,99
38	hex nut M12 X 1,5 zinc plated class 10	233046	€ 1,58	50	Control arm rep. kit, upper outer, FEBI	133010	€ 47,67
51	toothed washer, adjuster at upper ctrl arm	133023	€ 0,89	52	Eccentric bolt, wishbone	133917	N/A
52	N/A ! A1203330374 Eccentric bolt	133017	N/A	53	Tab washer, eccentric bolt	133016	N/A
54	A1203300187 Eccentric bush	133019	N/A	55	Seal Ring, upper & lower	133015	€ 8,45
59	Threaded bushing	133018	N/A	69	Bolt, king pin br. ot/lw	133032	€ 10,17
80	King pin repair kit	233050	€ 79,79	81	Bush, king pin, upper, FEBI	233052	N/A
82	Bush, king pin, lower=L45mm	233053	€ 14,28	87	A1363320252 Distance ring, lower, 2.7mm	133066	N/A
87	A1363320852 Distance ring, lower, 1.7mm	133061	N/A	87	A1363320952 Distance ring, lower, 1.9mm	133062	N/A
87	A1363321052 Distance ring, lower, 2.1mm	133063	N/A	87	A1363320052 Distance ring, lower, 2.3mm	133064	N/A
87	A1363320152 Distance ring, lower, 2.5mm	133065	N/A	89	pin 2,5 m6 X 6	233750	€ 0,31
93	Nut, strut to body	233102	€ 2,05	125	Repair kit, control arm outer, lower+upper 1 side	133025	€ 80,50

32 Info Bilstein Shock Absorbers

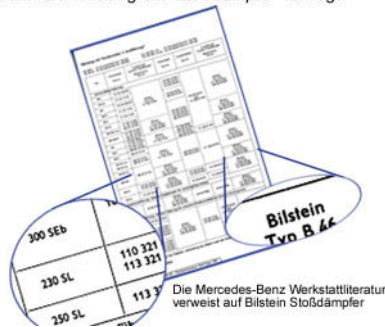


Bilstein ist seit mehr als 40 Jahren Entwicklungspartner in der Fahrwerkstechnik bei Mercedes-Benz und war auch für die 230-280SL Erstausrüster mit Gasdruckstoßdämpfern.



Gasdruckdämpfer von Bilstein haben einen hohen Qualitätsstandard und passen mit ihrer Abstimmung zum Fahrwerk Ihres SL.

Verschlossene, defekte, unpassende oder schlecht abgestimmte Stoßdämpfer sind keine Bagatelle:
Die konstruktionsbedingten Eckdaten Ihres SL (Gewicht, Radstand, Achsgeometrie) können zu "Bremsnicken", unberechenbar ausfedern den Hinterrädern in Kurvenfahrt und schlechtem Geradeauslauf führen, wenn die Wirkung der Stoßdämpfer versagt.



Bei allen Stoßdämpfern gibt es einen Ausgleichsraum für das veränderliche Volumen der eintauchenden Kolbenstange. Bei **Gasdruckdämpfern** ist dieser Raum zuverlässig abgedichtet und baut einen stetigen Gegendruck gegen den Ölraum auf. Dadurch wird Blasenbildung im Öl verhindert, die Dämpfung bleibt auch bei starker Beanspruchung und langem Einsatz erhalten.



Folgende Lieferumfänge sind erhältlich:
230/250/280SL Stoßdämpfer Bilstein Gasdruck
je mit Montagematerial, mit Bilstein Herstellergarantie.

SLS Art. [232101](#) = 1 Stück einzeln für Vorderachse

SLS Art. [232111](#) = 1 Stück einzeln für Hinterachse

SLS Art. [232200](#) = 1 Fahrzeugsatz (beide Achsen)

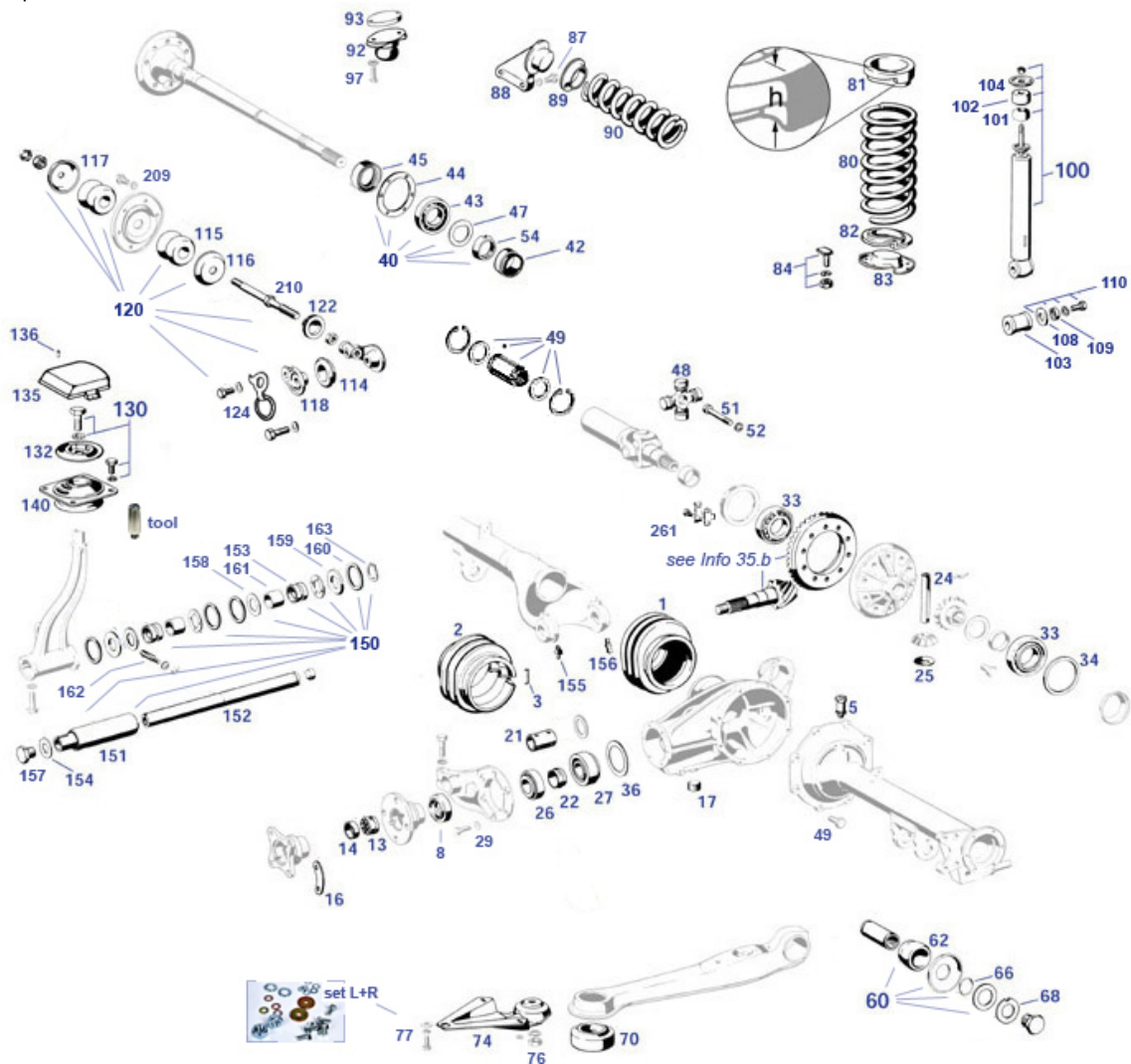
Auch erhältlich für viele weitere Mercedes-Benz Oldtimer !

Shock absorber rear, Bilstein Gas	132022	€ 314,99	Bilstein shocker R/C107 rear	732111	€ 236,20
Sachs shock absorber W113 front,	232112	€ 109,85	pls order separate items	832210	N/A
per piece					
Bilstein-shocker W109 rr.	832113	€ 230,93	Bilstein shocker 108/110-1 rr.	832111	€ 226,99
Bilstein shocker W109 fr.	832103	€ 209,90	Bilstein shocker 108/110-1 fr.	832101	€ 232,16
Bilstein shocker R/C107fr.9.85	732105	€ 208,25	Shock absorber front, Bilstein Gas	132111	€ 324,99
Bilstein shocker R/C107to 8.85	732101	€ 232,16	"Bilstein shocker W114-5 (4) "HD"	532200	N/A
Bilstein shock absorber 114/5,rr,	532111	€ 190,00	"Bilstein shocker W114-5 front "HD"	532101	€ 203,49
'HD'					
Rubber buffer ring	232879	€ 3,24	232101 Shock absorber, gas, Bilstein	232101	€ 284,40

35, 40, 41 Rear Suspension, Wheels, Propeller Shaft

35.a Rear Suspension

35.a Rear Suspension

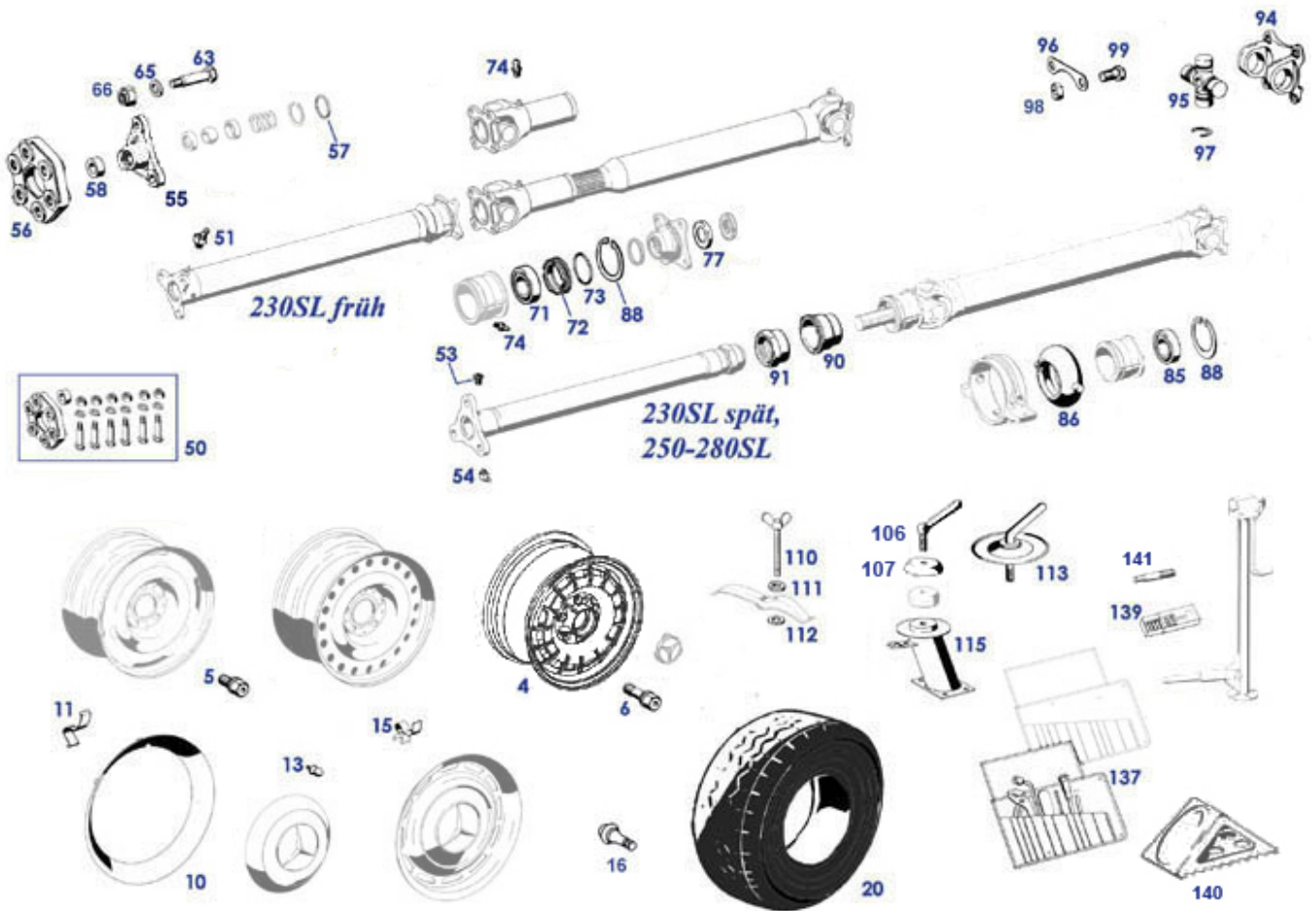


Washer connecting rod -> axle	235030	€ 8,98	Sleeve, length 26.0mm (std), OD+0.4mm Rep.	235307	€ 51,38
Locking ring M10	299328	€ 0,38	A1083500310 Axle shaft 250/280SL Lt.	235135	N/A
Ring connecting rod -> axle	235031	€ 2,98	Anode disc (anti-corrosion) no longer available: rubber 30mm	232809 232823	N/A N/A
A1093500032 Support, rear axle suspensi	235350	N/A	Hex bolt, damper-> rr axle	232988	€ 0,56
A1103510074 see 235708, Pin, swing link	235308	N/A	Rubber mount ring, struts to body	235721	€ 11,65
A1083500048 Sliding sleeve 250-280SL	235270	N/A	A1113500113 Sliding sleeve 230SL to 147	235260	N/A
A1103500048 Sliding sleeve 230SL fm.147	235265	N/A	A1103500413 U/j assembly 230SL	235230	N/A
A1123500213 U/j assembly 250-280SL	235250	N/A	A1123531152 Diff. shim 2.1mm	235146	N/A
A1133500293 see 235722, strut	235222	N/A	A1123530952 Diff. shim 1.9mm	235144	N/A
A1083530042 see 235809, bushing	235009	N/A	Locking Nut, cross strut near axle	235227	€ 1,94
A1103571201 Axle shaft 230SL Rt. ->4.65	235126	N/A	on request: latch for cross strut NOS/used	135223	€ 188,50
Spacer sleeve,diff. 230SL	235017	N/A	Screw connecting rod -> axle	235053	€ 23,54
Bolt connecting rod rear	235029	€ 16,05	A00298881078 see 135832 clip support balancer spring RH axle,	135132 232804	N/A € 79,49
A1133500238 Support, cross strut	235026	N/A			
A1085860135 Repr. kit, diff. flange	235070	N/A			

	Tool for special nut rr axle shafts	258750	€ 130,90		ref.No. A11032023		
					As long as stock lasts!: Rubber buffer ring	232979	€ 3,00
	Tool, frt. strut joint mount	258353	€ 74,99		A1103571101 Rear axle shaft, Lt. 230SL	235125	N/A
	see 235030	235830	€ 4,70		see 235013	235813	€ 5,00
	A1083500710 Axle shaft 250/280SL Rt.	235136	N/A	1	Swing axle sleeve, closed, premium quality	135930	€ 49,43
1	Swing axle sleeve, closed	135130	€ 29,99	2	Sw. Axle sleeve, open, repair, premium quality	135931	€ 80,92
2	Sw. Axle sleeve, open, rep., design differs to ori	135131	€ 41,45	3	1m metal strip, 9mm clamp	109830	€ 3,09
3	Lock / winding clip for 9mm strap	109835	€ 2,84	3	Clamp for repair bellows	135832	€ 1,19
5	A1153500290 Breather	235049	N/A	5	thread adaptor for universal vent, replacement for	235849	€ 11,78
5	universal breather for rear axle	235090	€ 16,71	5	thread adaptor M18 fits breather 235090	835849	€ 11,78
8	Seal ring,input shaft 230-280SL..	235015	€ 12,98	13	Set 3 pcs tools, fitting MB grooved nut	258260	€ 285,60
13	Diff Pinion Grooved Nut A1113500166	235714	€ 36,00	14	Washer Lock for Differential Flange Nut	235013	€ 7,44
16	tabbed lock plate ,driveshaft	241014	€ 8,45	16	tabbed lock plate ,driveshaft	241814	N/A
16	Bolt, drive shaft	241049	€ 38,96	16	Nut, rear prop shaft fitting	241048	€ 0,92
16	Nut, rear prop shaft fitting	241848	€ 0,92	17	Plug screw M24 conical, no collar	114025	€ 8,98
21	spacer sleeve at diff., ref.-No A1103530242	235817	€ 14,88	22	spacer sleeve, pinion shafts from '67, D32xL16, FE	235809	€ 4,93
24	from:rear axles generation disc brakes	235159	€ 124,43	24	rear axles up to ca. '65	135159	€ 148,99
25	Spherical Washer for Differential Pinion from 1967	235162	N/A	25	A1803530024 Spherical washer	135162	N/A
26	Bearing, pinion wheel shaft up to '67	235816	€ 22,51	26	Bearing, pinion wheel shaft from '68, front	235011	€ 24,35
27	Reel taper bearing	235118	€ 72,00	27	bearing, outer shell only	235119	€ 24,16
29	hex head screw M8 X 20, 10.9 e.g. diff. front, ref	235037	€ 0,99	33	Differential Bearing	235039	€ 44,85
33	Rear axle inner bearing	135070	€ 30,12	34	Distance washer 1.8, LH differential bearing	235143	€ 19,04
34	Distance washer 2.2mm, LH differential bearing	235147	€ 20,23	34	Distance washer 2.0mm, LH differential bearing	235145	€ 16,66
35	A1283531952 Distance washer 1.5mm, pinion shaft ea	235161	N/A	36	Distance washer 1.5mm at late pinion bearing	235150	€ 11,90
37	A1283530452 Distance washer 2.2mm, diff early L	235174	N/A	37	A1283530052 Distance washer 1.8mm, diff early L	235170	N/A
37	A1283530152 Distance washer 1.9mm, diff early L	235171	N/A	37	A1283530252 Distance washer 2.0mm, diff early L	235172	N/A
37	A1283530352 Distance washer 2.1mm, diff early L	235173	N/A	40	Axle shaft brg./seal kit lft., FEBI	233085	€ 29,93
42	Inner seal ring, axle shaft W108,111,113,110	242114	€ 5,53	43	Rear axle ball-bearing	235005	€ 22,88
43	Rear axle roller bearing, RT, (drum shape rollers)	135858	€ 67,38	44	screw for brake axis 230 SL	242116	€ 33,44
44	Paper gasket, axle types from W110	242813	€ 4,11	44	Paper gasket, axle types from W110	242113	€ 6,66
44	Screw, backplate to axle, 250-280SL	242117	€ 39,98	45	Seal ring, outer,front axle Gen. 110 (113,108)	242115	€ 5,66
47	Rear axle lock plate	235006	€ 9,82	48	A1123500128 Universal joint 250-280SL	235058	N/A
48	Locking ring 2.35mm @ joint cross bushg	235059	N/A	48	Universal joint	135028	N/A
49	including rolls and clips	235770	€ 999,99	49	Hex head bolt M10 x 22, LH axle to diff. ref.-No.	235038	€ 0,52
51	Bolt, rr axle ctre joint from 250 (L85)	235251	N/A	51	Bolt, universal joint 230SL (L70)	235231	€ 2,25
52	Spring washer, u/j bolt	235303	€ 0,42	54	Tool for special nut rr axle shafts	258350	€ 49,98
54	Tool, frt. strut joint mount	258352	N/A	54	Axle shaft grooved nut	135057	€ 11,29
62	Rubber, rear trailarm to axle, 65...70°sh	235733	€ 3,61	62	Rubber, rear trailarm to axle, 75°sh	235833	€ 5,41
66	Ring, spacing,inj. Pump	235034	€ 1,64	68	Tab washer, trailing arm	235032	€ 5,30
70	Rubber mount ring, struts to body	235821	€ 10,35	70	Tool, frt. strut joint mount	258351	€ 69,02
70	Rubber mount Suspension strut mounting ring	235021	€ 13,11	74	A1103520042 A1103520042 Bush plate ,tra	235052	N/A

76	Nut, strut to body	233102	€ 2,05	76	Spring washer M14	233103	€ 0,50
77	Shim, Exh/Tank support	298776	€ 2,83	80	Spring, rear 230-280SL, Aftermarket	232020	€ 109,99
80	A1133240204 Spring, rear 230SL, SA:16.3	232025	N/A	80	Coil spring, SL113 rear L or R, brand Eibach	232820	€ 82,85
81	rubber rear spring 30mm	232923	€ 38,79	81	rubber rear spring 20mm	232821	€ 32,45
81	Ring, rubber, upper, 24mm, rear	232022	€ 33,50	82	rubber underlay rear spring	232828	€ 8,22
82	Rubber ring rr spring lower	232028	€ 8,46	83	A1103250715 Spring retainer, lower, rr.	232001	N/A
84	Square head bolt, coil spring support	232061	€ 10,21	88	Support, compensating spring, overhaule	232004	€ 74,49
88	see 332007 + brackets	332005	N/A	89	Rubber-ring compensating spring	232005	€ 6,49
90	A1133290101 Compensating spring, 13.9mm	232007	N/A	90	Compensating spring, 11.9mm	232006	€ 83,35
92	Rubber buffer, rr axle	232008	€ 41,39	93	Buffer distancer, repro	232209	€ 26,00
93	Distancer, buffer to frame, Aluminum	232109	€ 72,00	97	Bolt M8 V8 early cross pipe frt exhaust	749348	€ 0,64
100	Shock absorber, gas, Bilstein	232111	€ 288,99	100	Shock absorber rear W108-111, 113, KONI - Classic	232113	€ 169,99
100	Sachs shock absorber W113 rear, per piece	232110	€ 136,49	101	Rubber buffer ring	232879	€ 3,24
101	Rubber shock->body frt	132028	€ 5,75	102	Rubber ring, top	132027	€ 2,82
103	A1103260281 Mount, shock absorber,	232033	N/A	104	Hex nut M10 fine, e.g. shock-absorber	232989	€ 0,70
104	Washer upper shock mount	232835	€ 4,99	104	A1803230083	232035	€ 4,75
108	Shaped Shim for Lower Rear Shock Mount	235328	€ 5,55	109	Stepped Shim for Rear Shock Mount	235329	€ 5,83
114	Rubber mount rear axle support strut A1113510448	235023	€ 36,53	115	Outer Rubber Mount for Differential Mount strut	235024	€ 8,09
116	Cup, rear axle cross strut, inner	235028	€ 21,63	117	Cup, rear axle cross strut, outer	235027	€ 21,63
118	A1113510240 cup, rear half	135224	€ 199,99	122	boot, cross strut	235004	€ 5,55
124	Set locking shim + O-ring, brake wire R	242844	€ 45,99	124	hex head screw M10 X 20, 10.9 zinc plated	235315	€ 1,40
132	A1103510045 Tightening plate 250-280SL	235320	N/A	132	A1113500567 Tightening plate 230SL	235003	N/A
134	Bolt, rr axle top	235319	€ 6,68	135	cover rear cross member, above axle mount	269832	€ 31,90
136	Rivet, for cover in boot	269034	€ 0,35	140	Rubber mount rear axle, center upper joint	235020	€ 148,71
140	Rear subframe mount rubber, made in Germany	235920	€ 274,12	151	Rubber bushing, axle joint, German Repro	235012	€ 139,99
151	Rubber bushing, rr axle bolt, Repro	235712	€ 93,19	152	Cap, to 235308	235309	€ 1,32
152	Pin, rear axle center joint from W110 on	235708	€ 114,89	153	Rear axle tube bushing	235050	€ 29,63
153	Small rep kit rr axle center joint	235282	€ 389,05	154	Lock washer	235301	€ 2,59
155	Cap for grease nipple, red	333048	€ 0,65	155	Grease nipple, 45°, M6	235047	€ 0,50
156	Grease nipple, M6	235048	€ 0,95	157	Hex Bolt on Differential Mounting Strut	235324	€ 18,55
158	Shim, 2.4mm thick, repair size	235718	€ 17,50	158	Shim, 2.2mm thick, repair size	235716	€ 23,42
158	Shim, 2.0mm thick, standard size	235306	€ 17,85	159	Shim at ctr bolt rr axle joint	235305	€ 15,71
159	Shim at ctr bolt rr axle joint	235705	€ 10,00	160	Rubber ring, swing link	235304	€ 3,50
161	Sleeve, length 26.0mm (std)	235807	€ 47,30	161	Sleeve, length 25.6mm	235656	€ 46,79
162	Cotter Pin for Rear Diff Mounting Strut	235810	€ 17,48	163	Locking ring	235322	€ 3,09
209	Bolt 8x22, clutch plate	233064	€ 0,37	209	galvanized Spring washer M8	233059	€ 0,21
210	Cross Strut for the Rear Axle W113 -220mm	235722	€ 82,11	261	Locking, simplified, Repro, nose outer position	135608	€ 6,68
261	Locking, simplified, Repro, nose outer position	135607	€ 6,68	261	Locking, simplified, Repro, nose ctre position	135606	€ 6,68

40 Wheels and Propeller Shaft



	Nut, flat style, zinedc, pedals,kardan.	129073	€ 1,49		wheel mounting aid, aluminium, 130mm, M12 X 1,5	740213	€ 14,25
	A1084110097 A1084110097 Seal boot	241012	N/A		wheel bolt-set, 20pcs. M12X1,5 X25 cone hub	740801	€ 30,39
	A1104100422 Housing,middle bearing	241016	N/A		A1104130429 Clamp, middle bearing	241020	N/A
	pls see version 740702	740701	€ 184,45		A1134100201 Propshaftfrt.,early-4-speed	241025	N/A
	A1134101401 P.s.fr.230SFN,250-280SL aut	241028	N/A		A1114100202 Prop.shaft rear 230SL FN	241029	N/A
	P.s.rr.230SLlate FN,250-280SL	241030	N/A		A1264001902 "Alloy wheel 6" x 14" orig	240000	N/A
	locking ring at drive shaft early	241862	€ 8,20		Self locking nut M12 X 1,5	733113	€ 1,93
	tabbed lock plate ,driveshaft	241814	N/A		hex nut M12 fine, locking, flat shape	741048	€ 0,57
	Nut, square, M8, e.g. drive shaft hanger	990998	€ 0,96		A0005810317 NI Screwdriver set, 3 piece	258085	N/A
	Joint disc, 90mm bolt circle	241801	€ 55,93		A1005800010 Spare fuses, packet	258090	N/A
	A1104110172 Fixing nut	741011	N/A		Tool bag without tools	258106	N/A
	Car jack	259000	N/A		NI Fuel canister, 7 ltr.,orig	259050	N/A
	replaced from 241051, replaceable in 733113	733122	N/A	2	weight 60g old style, fits clamp 240007	240360	€ 1,01
2	weight 40g old style, fits clamp 240007	240340	€ 1,01	2	weight 50g old style, fits clamp 240007	240350	€ 1,01
2	A1264000602 "Steel wheel 280SL 6" x 14"	240002	N/A	2	weight 100g old style, fits clamp 240007	240400	€ 1,01
2	Steelrim 6x14(30 used, tested from	240003	N/A	2	weight 120g old style, fits clamp 240007	240420	€ 1,01
2	Clip, balancer weights	240007	€ 0,60	2	weight 110g old style, fits clamp 240007	240410	€ 1,01
2	-NL- Stahlfelge 5,5J x 14H2 230SL	240001	N/A	2	weight 80g old style, fits clamp 240007	240380	€ 1,01

2	weight 90g old style, fits clamp 240007	240390	€ 1,01	2	steel rim 6 x 14, reproduction	240803	€ 220,15
4	Alloy rim Maxilite "Barock" 6x14 ET 30	240808	€ 196,35	4	Wheel, alloy,6.5x14 "Baroque" ET30 incl. ABE app	740702	€ 124,95
5	Ball head seat, hex 17, length ca. 20mm	240005	€ 1,59	6	Wheel bolt+cap,alloy whl.to 85	740005	€ 1,90
10	as genuine: mounting clips required	240810	€ 65,45	10	Wheel rim trim, 14", chromed mild steel	240110	€ 100,00
10	"Decorative ring,stainless.14"	240013	€ 47,01	11	Spring clip, fits orig. 14" wheel decoration ring	240020	€ 2,88
12	A1864010025 Chrome hub cap orig., unpai	181035	N/A	13	A1104010174 Hub cap bolt	140010	N/A
14	A1154010324 "Decor.hubcap'68-'85,14"chr	240045	N/A	15	spring clip for wheel cover 14" 1968->	240041	€ 3,13
16	A0004000213 Valve, tyre, rubber	740033	N/A	16	valve cap, black	740035	€ 0,07
16	Valve, tyre, metal, fits Fuchs-Baroque	240033	€ 95,08	20	Tire Michelin 185R14 90H TL 25mm whitewall	240039	€ 399,90
20	Michelin tyre, orig. dimens. 185 R14 90H	240030	N/A	20	Vinyl covering, spare tyre (horiz-lev)	289889	€ 221,99
20	Michelin tyre, 20mm whitewall	240031	€ 429,59	34	A1114100228 Prop shaft joint 230SL earl	241039	N/A
50	Hardy Rep-set 90mm,look for 24180	241000	€ 201,11	51	A1229970087 Valve, pressure release	241024	€ 8,39
54	Grease nipple, 45°, M6	235047	€ 0,50	55	Scope of delivery according to picture, without in	141030	€ 102,99
56	Joint disc, 90mm bolt circle	241001	€ 71,25	57	O' ring, star-flange to prop shaft	241013	€ 1,32
58	rubber as per A1204110060 64, please adjust thickn	241807	€ 10,00	58	N/A ! A1844110080 Rubber ring	441007	N/A
59	A1364110118 Bearing pan	241018	N/A	60	A1844110017 Centreing ball	241017	N/A
61	A1109933701 Spring, centreing ball	241019	N/A	62	retaining ring for bores 30 X 1,2	241021	€ 0,46
62	N000984030000	241022	N/A	63	Bolt, Gear->Hardy90, 190'56->, 230SL	141013	€ 17,73
63	Stud bolt, flex disc to prop shaft	141012	€ 15,35	65	Washer, prop disc late (d90)	141008	€ 5,55
66	lock nut full metal M12 X 1,5 flat type	241113	€ 0,77	70	A1804130201 Housing,middle bearing, FN	241046	N/A
71	Ball bearing, ctr support prop shaft	141015	€ 9,22	72	A1104130051 Spacer ring,driveshaft	241056	€ 34,50
73	A1809970340 Ring,sealing	141017	N/A	74	Grease nipple, M6	235048	€ 0,95
75	A1104130080 Seal ring,flange	141063	N/A	77	A1119940043 Lock washer	241062	€ 8,32
78	A1119900060 Grooved nut	241061	N/A	85	closed version	241015	€ 10,07
86	Bush,rubber,p.scentre bearing	141018	€ 18,65	87	Bolt 8x22, clutch plate	233064	€ 0,37
87	galvanized Spring washer M8	233059	€ 0,21	88	Locking ring, prop shaft bearing, ref.-No. N000472	241023	€ 2,80
90	Grommet, prop shaft length joint	241812	€ 7,95	91	Nut, prop shaft, near ctr. slip joint	741811	€ 32,14
94	A1114110044 Joint flange	241006	N/A	95	Cross bearing assy"28", 57->67, grease channel	141822	€ 155,35
95	Prop shaft cross FN, 24mm Bushes	241009	€ 9,63	95	Cross bearing assy"28", 57->67, no grease channel	141022	€ 309,00
96	tabbed lock plate ,driveshaft	241014	€ 8,45	97	A1889940534 Circlip, u/j. 1.45mm	241034	N/A
97	A1889940234 Circlip, u/j. 1.6mm	241035	N/A	97	A1889940334 Circlip, u/j. 1.65mm	241036	N/A
98	Nut, rear prop shaft fitting	241048	€ 0,92	98	Nut, rear prop shaft fitting	241848	€ 0,92
99	Bolt, drive shaft	241049	€ 38,96	106	N/A: Cone handle screw, horiz.spare tyre	240818	N/A
107	Plate, spare tyre screw	240819	€ 69,62	110	Wing screw 230SL FN	240006	€ 42,53
111	A3269900740 Washer, wing screw	240009	€ 16,54	112	A0009872141 Wing screw rubber washer	240017	N/A
113	A1158900014 Screwplate with offset lev	240014	€ 240,00	115	Screw M6x18 e.g. Filter box 190SL,bonnets, ..	109024	€ 0,38
115	Spring washer, fits M6	181028	€ 0,18	115	Washer 6.4 large, yellow zincd	299276	€ 0,18
115	Spare wheel holder	240015	€ 463,60	137	Tool bag without tools	258806	€ 48,79
137	A1125800203 Toolbag with tools	258100	N/A	137	Wheel nut wrench, orig, latest version	259101	€ 23,50
140	Safety wedge f.tyre service	258110	€ 286,20	141	wheel mounting aid, aluminium, 100mm, M12 X 1,5	740210	€ 12,95
141	Mounting bolt for tyre service, chromed	259809	€ 49,24	740010	A1074000025 Ctre dec cap f.al.whl 'Baro	740010	N/A

35.b Info Axle Ratio

35.b Info Axle Ratio

Infotabelle: Hinterachs-Übersetzungen für die Pagode

SLS 2011

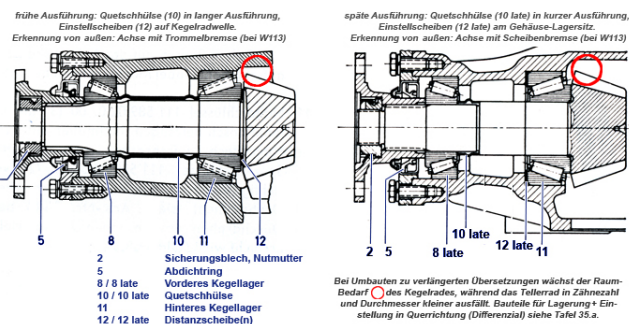
Achsgehäuse	Zahnradatz Nummer	Übersetzung (Kegel : Teilrad)	Drehzahl bei 100Km/h, (in Gang)	Einsatz für Länder "Standard" (Europa, ...)	Einsatz USA
R113 Trommel- Brems- Hinterachse	113 350 0139	1 : 3,75	ca. 3190 (4)	230SL 4-Gg.oder Autm.SERIE	
	111 350 0739	1 : 4,08	ca. 3475 (4) ca. 2950 (5)	- 230SL Sonderausst. 5-Gang	230SL 4-Gg.oder Autm.SERIE
	SLS 235106	1 : 3,28	ca. 2760 (4)	nachträgliche Umrüstung, Fachbetrieb	

R113 Scheiben- Brems- Hinterachse	108 350 0039	1 : 4,08	ca. 3475 (4) ca. 2950 (5)	- 250SL Sonderausst. 5-Gang 280SL SA 5-Gang ->11.69	250SL 280SL USA-SERIE ->07.69
	111 350 0839	1 : 3,92	ca. 3340 (4) ca. 2830 (5)	250SL 4-Gang oder Autm. SERIE 280SL 4-Gg./Autm.->11.67 SERIE 280SL 4-Gg./Autm.11.67-> mit SA 10658 "kurze Übersetzung" 280SL SA 5-Gang 11.69->	280SL 4-Gg.oder Autm. USA-SERIE 07.69->
	112 350 0939	1 : 3,69	ca. 3140 (4)	250SL 4-Gg./Autm.SA"lange Übers." 280SL 4-Gg./Autm.->11.67 mit SA 10659 "lange Übersetzung" 280SL 4-Gg./Autm.11.67-> SERIE	
	SLS 235105	1 : 3,28	ca. 2760 (4)	nachträgliche Umrüstung, Fachbetrieb	

Beispiel	Zahnradatz Nummer	Übersetzung	Drehzahl bei 100Km/h, (in Gang)	Einsatz für Länder "Standard" (Europa, ...)	Einsatz USA
W108/109"V8"	108 350 0339	1 : 3,46	ca. 2950	z.B. 280/300SE/L 3.5	
längere Übers.	109 350 0339	1 : 3,27	ca. 2780	z.B. 280/300SE/L 4.5	
	109 350 0239	1 : 2,82	ca. 2440	300SEL 6.3	

Drehzahlangaben: gerundet, aus Quelle MB-WHB oder Umrechnungstabellen, Realwerte weichen ab aufgrund Raddimension, Reifenform, Schlupf (Autm.), Drehzahl-Messmethode

Kegelrad Lagerung

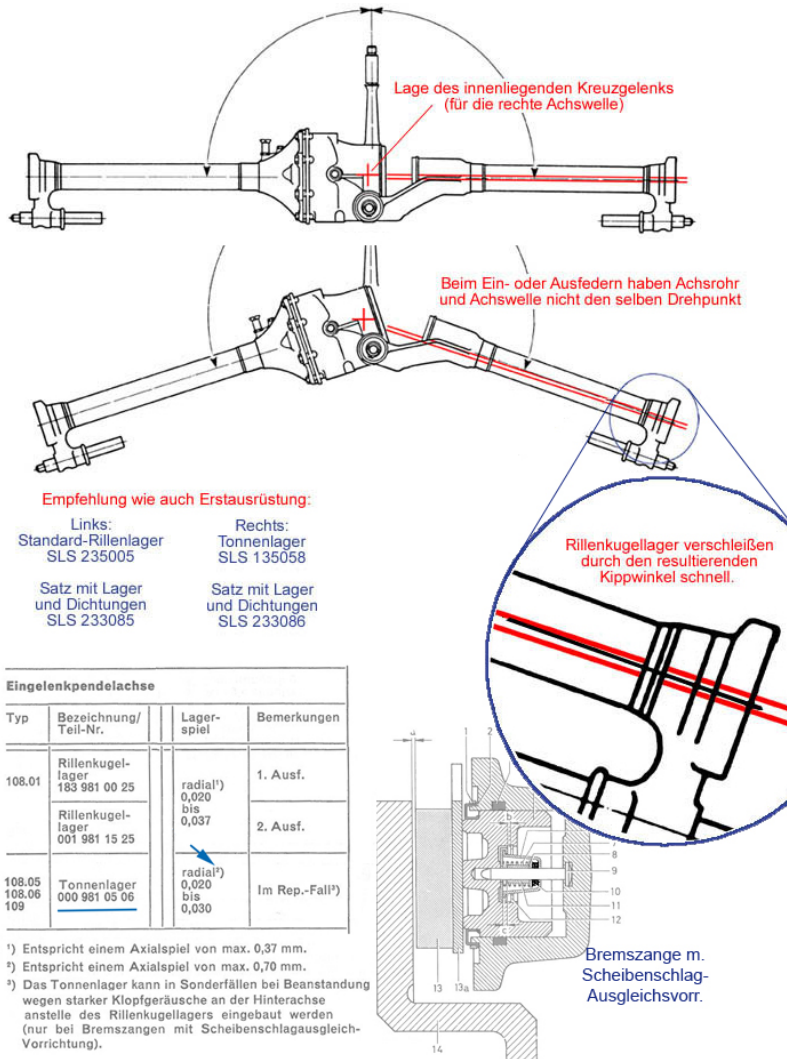


2	see 235013	235813	€ 5,00	2	Diff Pinion Grooved Nut A1113500166	235714	€ 36,00
2	see 235013	235713	N/A	2	Washer Lock for Differential Flange Nut	235013	€ 7,44
5	Seal ring,input shaft 230-280SL..	235015	€ 12,98	8	Bearing, pinion wheel shaft up to '67	235816	€ 22,51
8	Bearing, pinion wheel shaft from '68, front	235011	€ 24,35	10	Spacer sleeve,diff. 230SL	235017	N/A
11	Bearing, pinionshaft, rear	235818	€ 35,33	12	A1283531752 Distance washer 1.4mm, pinion shaft ea	235169	N/A
12	A1283531552 Distance washer 1.3mm, pinion shaft ea	235168	N/A	12	A1283531352 Distance washer 1.2mm, pinion shaft ea	235167	N/A
12	A1283531152 Distance washer 1.1mm, pinion shaft ea	235166	N/A	12	A1283530952 Distance washer 1.0mm, pinion shaft ea	235165	N/A
12	A1283530552 Distance washer 0.8mm, pinion shaft ea	235163	N/A	12	A1283531952 Distance washer 1.5mm, pinion shaft ea	235161	N/A
12	Distance washer 1.5mm at late pinion bearing	235150	€ 11,90	12	Distance washer 1.6mm at late pinion bearing	235152	€ 16,66
12	A1123531852 Distance washer 1.7mm at late pinion	235154	N/A	12	A1283530752 Distance washer 0.9mm, pinion shaft ea	235164	N/A
12	Distance washer 1.8mm at late pinion bearing	235156	€ 16,66	235105	Rest: axle gears 1:3,28, modific. 67->	235105	N/A
235105	nla wheel set 1:3,28,'68->modific	235805	N/A	235106	set replacement axle gears 1:3,46 ->67	235108	N/A
235106	Rest. axle gears 1:3,28, modific. >67	235106	N/A	235107	Crown-& pinion gear set 1:3.46 , reproduction	835100	N/A
235107	Set replacement axle gears 1:3,46 67->	235107	N/A	10835000A1083500039	Wheel set i=1:4,08 39	235104	N/A
10935002A1093500239	Wheel set SEL 6.3 i=	835103	N/A	10935003A1093500339	C'wheel & pinion i=	835101	N/A

39	1:2,85		39	1:3,27	
11035003A1113500539	Wheel set i=1:4,56	335101	N/A	11035003A1103500339	Wheel set i=1:3.9 335100
39			39		
11135007A1113500739	Wheel set i=1:4.08	235103	N/A	11135008A1113500839	Wheel set i=1:3.92 235100
39			39		
11235009A1123500939	Wheel set i=1:3.69	235101	N/A	11335001A1133500139	Wheel set i=1:3.75 235102
39			39		

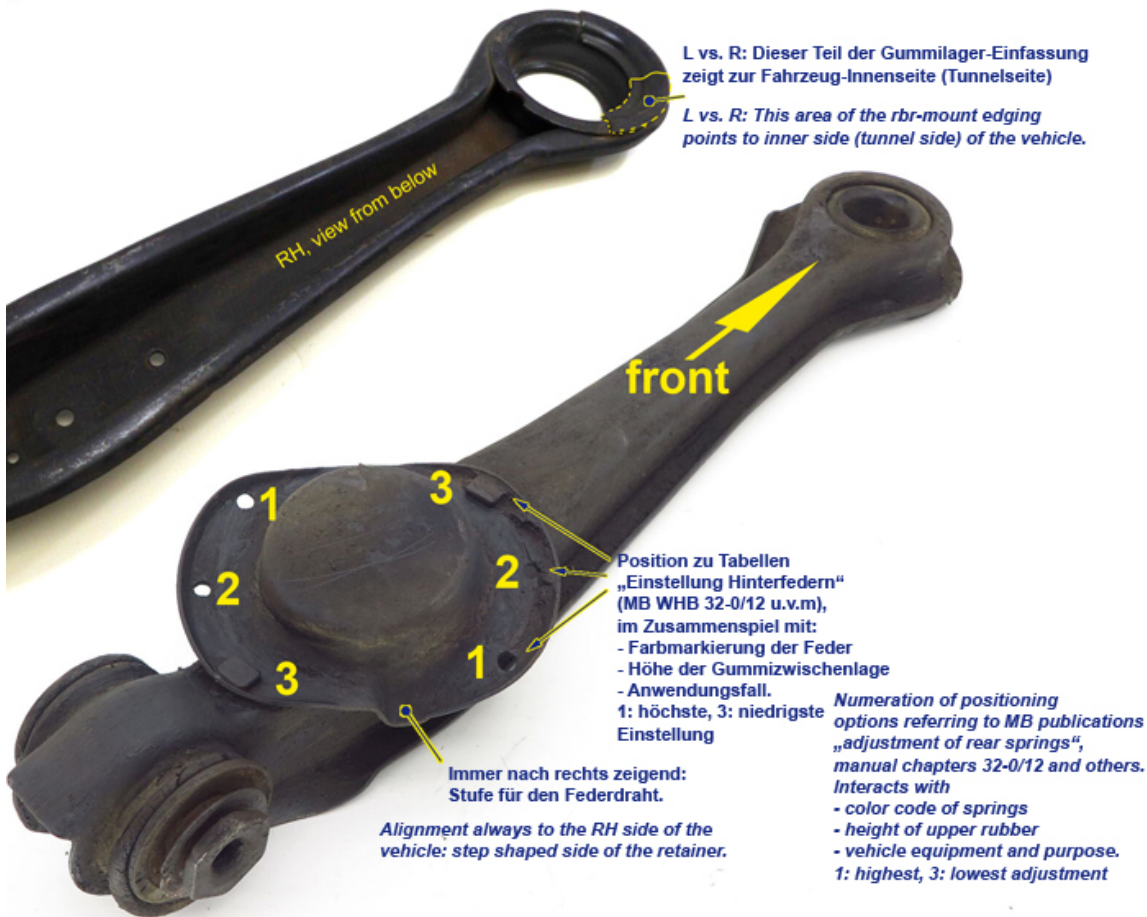
35.c Info Axle Bearing rear

35.c Info Axle Bearing rear



135058	Rear axle roller bearing, RT, (drum shape rollers)	135858	€ 67,38	233085	Axle shaft brg./seal kit lft., FEBI	233085	€ 29,93
--------	----------------------------------------------------	------------------------	---------	--------	-------------------------------------	------------------------	---------

35.d Info rear spring retainer and trailing arm



In der Aftermarket-Realität kann nicht mehr davon ausgegangen werden, dass per Vorauswahl (den Federn-Kennzeichnungen und den MB-Tabellenbüchern folgend) eine exakte Vorbestimmung des Achsniveaus möglich und zur Wunschvorgabe passend ist. Leider ist von mehrfach-Versuchen bis zum Erreichen der Wunsch-Fahrzeughöhe auszugehen. Als veraltet gelten Stoßdämpfer ohne Vordruck, Diagonalreifen und Positiv-Radsturz und die damit einhergehenden Fahreigenschaften. Geringfügige oder unumgängliche Modernisierungen werden vom TÜV nicht beanstandet.

Square head bolt, coil spring support	232061	€ 10,21	A1103250715 Spring retainer,lower,rr.	232001	N/A
rubber underlay rear spring	232828	€ 8,22	Rubber ring rr spring lower	232028	€ 8,46
Rubber mount Suspension strut mounting ring	235021	€ 13,11	Rubber mount ring, struts to body	235821	€ 10,35
Bolt connecting rod rear	235029	€ 16,05	Screw connecting rod -> axle	235053	€ 23,54
Tab washer, trailing arm	235032	€ 5,30	Ring connecting rod -> axle	235031	€ 2,98
Ring, spacing,inj. Pump	235034	€ 1,64	Washer connecting rod -> axle	235030	€ 8,98
Rubber, rear trailarm to axle, 65...70°sh	235733	€ 3,61	Rubber, rear trailarm to axle, 75°sh	235833	€ 5,41

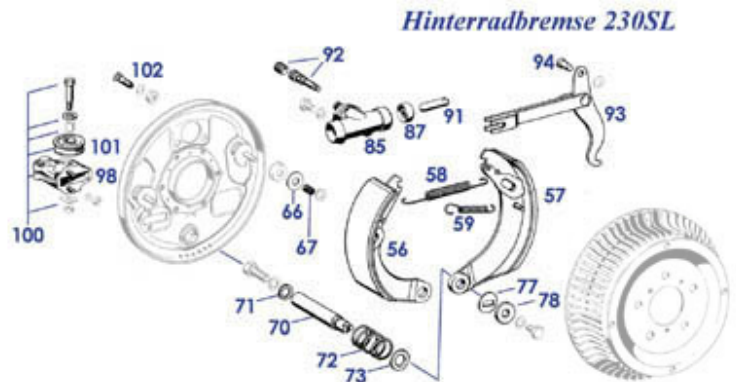
42 Brakes

42.a Brake (Wheels)

42.a Brake (Wheels)



weitere Teile siehe Bildtafel „42.b Girling Bremse“
more parts see group table „42.b Girling brake“



	Repair kit Caliper W113 & R107 > 12.1972	242715	€ 79,99				
	Rubber grommet, brake rear lt late	242837	€ 9,31			Rubber grommet brake rear rt late	242838 € 9,31
	Lock spring washer eg brake wires see 242855	242043 242155	€ 2,05 N/A			A1104230377 Cup washer	242233 N/A
12	locking plate, caliper frt '66-12'76	242008	€ 6,19	13		Cover plate ,Lt. or Rt.	242240 N/A
15	A0004211265	342001	N/A	18		A1104270253 Bush for plastic reel	142149 N/A
18	A1114206328 Brake pipe, Rt.	242060	N/A	25		Bolt, ATE caliper	242012 € 8,97
				25		A1114206228 Brake pipe, Lt.	242050 N/A
26	hex nut M12 X 1,5 zinc plated class 10	233046	€ 1,58	26		Set brake pads frt. calipers '65-'72,ATE	242030 € 31,12
26	ab FG 004695 bis Ende 230SL	242211	€ 203,00	26		Cover plate frt.LH from 250S/SE/SL	242210 € 89,25
26	Cover plate frt.RH from 250S/SE/SL	242220	€ 89,25	30		ab FG 004695 bis Ende 230SL	242221 € 203,00
31	** please identify calipers	242831	€ 39,60	31		Fitting kit, brake pads	242081 € 9,41
31	set of brake pads TEXTAR	242731	€ 24,98	35		** please identify calipers	242031 € 45,77
35	Brake caliper, Rt. 108-113, 115, ATE	242020	€ 503,47	35		Brake caliper, Lt. 108-113, 115, ATE	242010 € 476,00
35	Brake caliper, Lt. 108-113, 115,	242810	€ 113,50	38		Brake caliper, Rt. 108-113, 115,	242820 € 113,50
40	Brake caliper seal kit, fits ATE 66-72	242015	€ 47,60	40		cover brake pad slot	242083 € 18,74
41	A0004213583	242016	N/A	40		Brake caliper seal kit, 66-72	242815 € 20,68
45	Piston(1pce),ATEcaliperfrt			45		Bleeder valve M8 e.g. ATE early	242000 € 5,57
45	Valve, brake cyl bleeder	242001	€ 6,72	46		hex. socket head cap screw M6X30 zinc plated	299052 € 0,34
46	spring lock washer for cheese head	199096	€ 0,08	46		hex. socket head cap screw	299053 € 0,22

46	screws 6mm, zin										
50	A1084200028 Brake pipe, Lt.	242003	€ 205,99	46	M6X18, zinc plated						
50	A1134200005 Brake drum	142100	N/A	56	A1084200128 Brake pipe, Rt.	242002	€ 205,99				
56	late from 3/1962	142086	€ 305,00	57	A1104202720 Brake shoe, front piece	142070	N/A				
57	early until 3/1962	142085	€ 305,00	58	A1104202620 Brake shoe, rear piece	142080	N/A				
59	Return spring, brake lever, fits L/R	142820	€ 4,61	66	Spring, fitting190SL from 024160 L/R, +230SL	142810	€ 12,25				
67	A1209930601 Spring	242237	N/A	70	A1153230367 Washer	242234	N/A				
71	shim,selector, man. gb. 1mm	242267	N/A	72	A1104230118 Pivot pin	242261	N/A				
72	A1109930401 Spring	242262	N/A	72	Coil spring @ brake rear, e.g. 230SL ..	242862	€ 8,10				
77	shim, brake, rectangular hole, 1.0mm	142410	€ 6,55	73	Washer rr brake, betw.spring and shoes	142909	€ 3,15				
85	Wheel cylinder rr. 19,05mm ATE 230SL	242070	€ 98,81	78	Washer, rr brake	142911	€ 15,46				
91	Push rod, 1 pce, rr wheel cyl.	242072	€ 11,39	87	A0004211587 Protect cap,brake cyl	242073	€ 3,57				
92	Bleeder valve cap, brake, steering	143041	€ 2,62	92	Bleeder valve (M10 fine), 190brake, Steerg(Pws)	142003	€ 4,05				
94	A1834230674 Clevis pin	142047	N/A	93	Handbrake lever, Rt.	142043	€ 258,65				
98	Cable spool housing Repro, fits L or R	242845	€ 51,40	98	Bolt M6 at rope roll	142156	€ 0,75				
100	Repr. kit,h`brake cable guide	242150	€ 46,56	98	Cable spool housing OE-NOS, L or R	242145	€ 59,50				
102	screw for brake axis 230 SL	242116	€ 33,44	101	Handbrake cable roller	242149	€ 95,37				
110	Satz Bremsbeläge hinten TEXTAR	242888	€ 34,90	110	Set of ATE rear brake pads 1965-1972 W113-108	242088	€ 26,55				
112	rr brake cover plate ,Lt. or Rt.	242840	€ 72,00	111	ATE Accessory kit for rear brake pads	242082	€ 7,20				
115	Brake Caliper rear RH 250 - 280SL (S/SE: FN) Budwe	242822	€ 275,00	115	Brake Caliper rear LH 250 - 280SL (S/SE: FN) Budwe	242821	€ 275,00				
115	Brake Caliper rear LH 250 - 280SL (S/SE: FN)	242021	€ 501,44	115	Brake Caliper rear RH 250 - 280SL (S/SE: FN)	242022	€ 455,87				
117	Locking plate ,caliper	242036	€ 3,92	116	Plate , brake, with nuts	242029	€ 32,49				
120	Brake shoes and fitment parts, ATE	242200	€ 32,40	118	Bleeder screw, rear calipers, M7	242011	€ 1,80				
120	Spring @ brake shoe	842193	€ 0,33	120	Brake shoes and fitment parts, FEBI	242700	€ 17,11				
123	A1084270074 Pin for lever	242156	N/A	122	link, fits new brake rope eye	242855	€ 10,65				
127	A1164230050 Bushing, brake adjuster	242158	N/A	126	A1234200073 Tightening screw	242157	N/A				
130	Repair-kit for rear brake caliper 250-280SL/SE/L	242025	€ 39,82	128	Screw, backplate to axle, 250-280SL	242117	€ 39,98				
131	Piston 42mm for caliper with no stagger-compensati	242126	€ 46,99	130	Repr. kit, caliper Budweg	242825	€ 14,83				
133	hex. head screw, ref.-No. N000960012043	242023	€ 1,59	131	Piston for ATE caliper "42" A0004232983	242026	€ 45,90				
				139	Grip washer M8	299274	€ 0,29				

42.b Girling brake-caliper

42.b Girling brake-caliper

„Girling“
3-Kolben-Bremssattel,
230SL früh (bis FG ...016643)



Da nicht mehr alle Einzelteile für die "Girling"-Bremse lieferbar sind, kann eine Umrüstung der Vorderrad-Bremse auf "ATE" empfehlenswert sein.

**Umrüstsatz Vorderbremse
 "Girling" nach "ATE"
 SLS 243500**

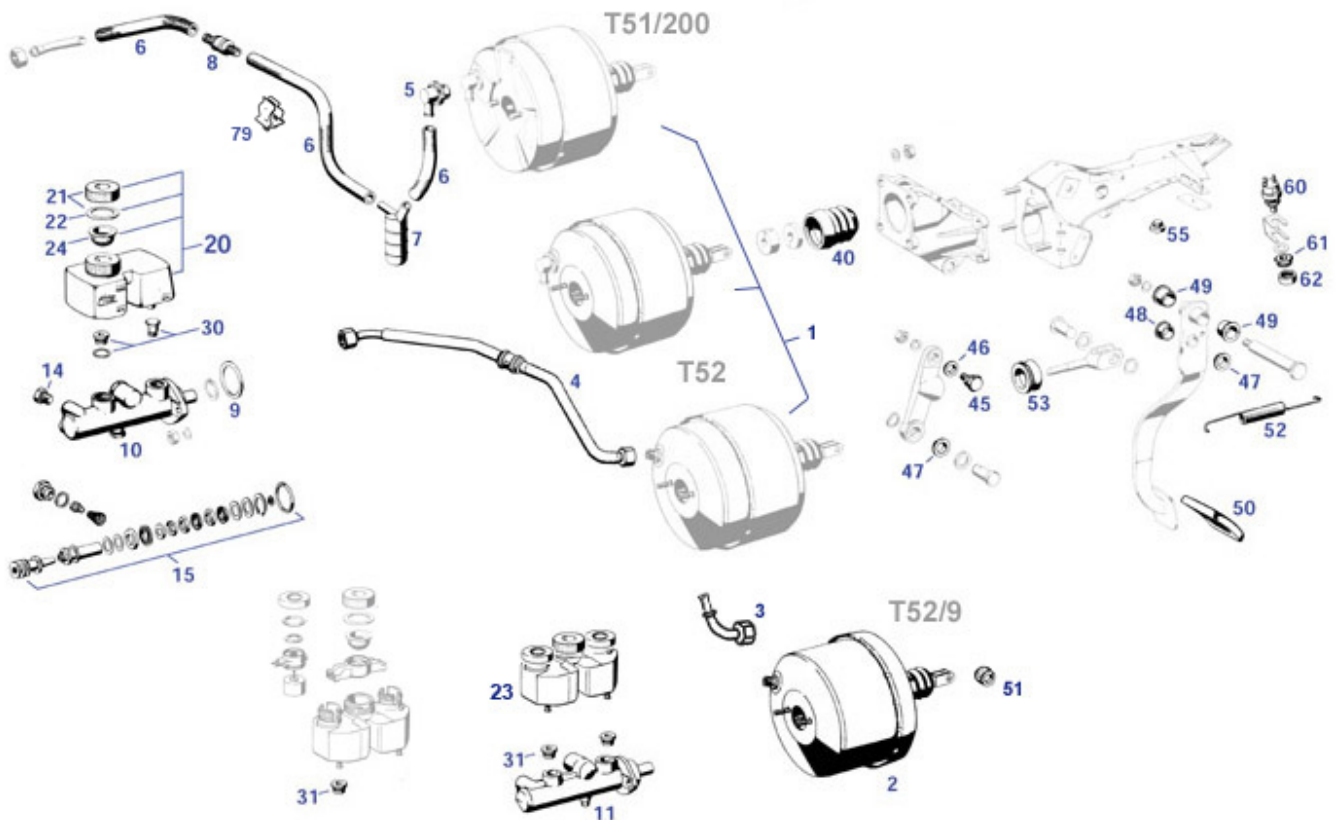
Ohne Bremscheiben, da baugleich,
 ohne Schutzbleche, bitte ggf.
 anpassen oder separat bestellen

Bremssattel-Reparatursätze beinhalten keine Teile für die Zerlegung der Sattel-Hälften. Neben der üblichen Warnung vor Bremsen-Reparaturen durch unautorisiertes Personal, wird insbesondere von der Zerlegung der Sattel-Hälften abgeraten.

2	** please identify calipers	242031	€ 45,77	2	set of brake pads TEXTAR	242731	€ 24,98
2	** please identify calipers	242831	€ 39,60	8	Repair set, brake caliper	242017	€ 77,35
8	A0004211265	342001	N/A	11	Brake cylinder piston,large	242019	€ 68,43

43 Mastercylinder

These steps of "modernization" of the brake system are also possible at a later date: - Replacement of the early 230SL-HBrZ (2 outlets) with the picture number 10 shown here (230SL with 3 outlets), please note the routing of the cables. (Workshop manual and catalogue image brake lines). - Replacement of the unavailable, early brake boosters in the last (and largest) version T52-9: Installation space and push rod will fit the hydraulic cylinder, but modifications to adjacent parts will need to be made: Pivot bolt pedal lever, bearing block at bellows, vacuum connection.

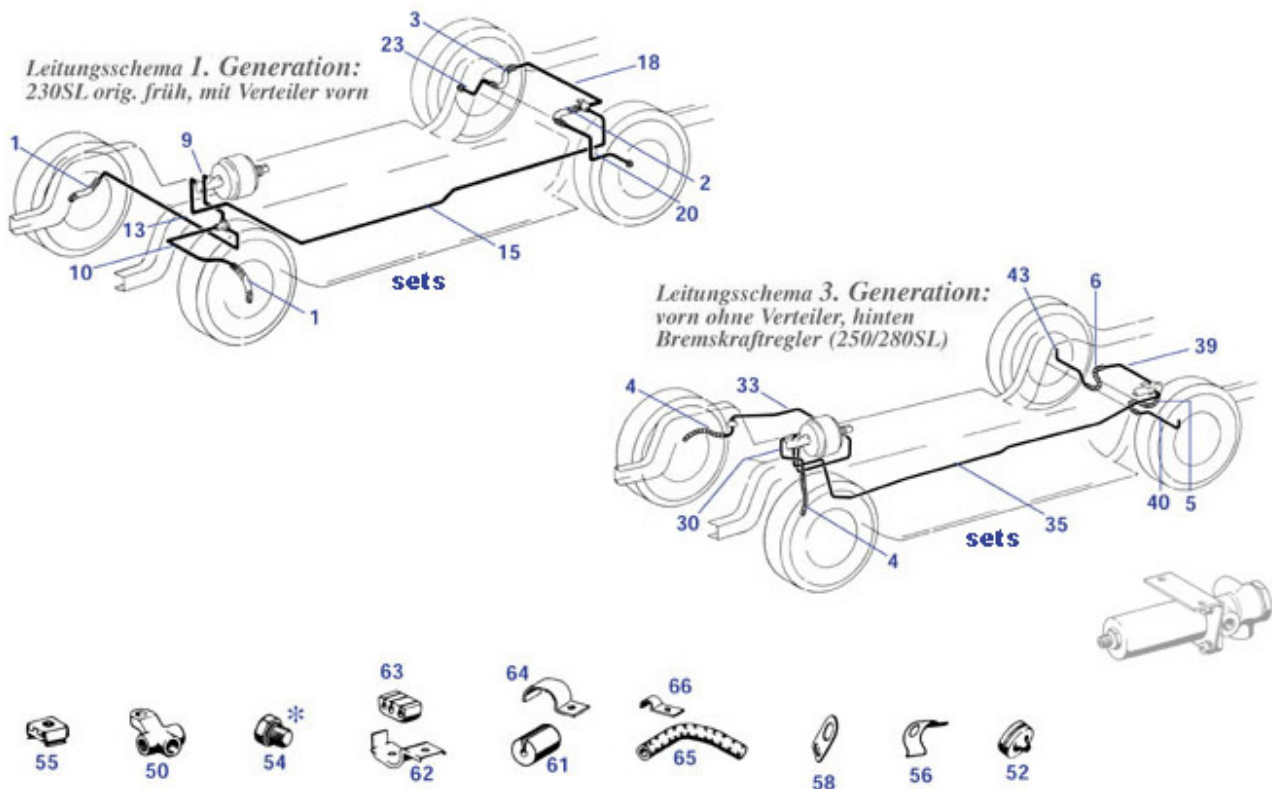


	Clamp, vacuum line at support	243879	€ 5,36		n/a: Reservoir from '68, fits manual	243806	N/A
	A0004311633 Cap, fluid tank, late	243007	N/A		A0004317560 Gasket, sender cap	243053	N/A
	Gasket, sender unit	243004	€ 13,74		A0025429917 Sender unit.brake system	243054	N/A
	A0004315702 no new production planned	243807	N/A		Grommet, reservoir to mastercyl, ca 9.'75-8.'85	743029	€ 2,55
	N/A ! Separator, brake vac hose	243783	N/A		1m white vac-hose for brake vacuum	943782	€ 14,40
	boot at push rod	243826	€ 20,50		A0004314387 Seal boot	243827	€ 22,00
	A0004310062 Protect plate FN,b.f.r.	243008	N/A	1	A0004305530 Brake booster T51-200, R113	243000	N/A
1	Brake Booster (Repro) Replacing T51-200 / A00043	243700	€ 699,90	2	Bushing, brake linkage (if Booster new)	729430	€ 5,99
2	e.g. 113 from 280, 107 up to 08.'85	243030	€ 909,90	2	modified booster support (used)	243105	€ 700,90
3	Tube 90° e.g. adapt T52->old hose	243038	€ 13,74	4	A1084301929 Vac.pipe 280SL 006619->0135	243029	N/A
4	A1134300629 pipe, brake booster, T52	243009	N/A	5	A0004303681 Connector, pipe, T52	243024	N/A
6	Hose, wire armed, e.g. brake-vac	943082	€ 19,34	6	A0004352182 Vacuum hose, wire-reinforce	243082	N/A
7	A1114350227 Separator,brake sys	243083	N/A	8	Check valve, brake vac.	243016	€ 20,99
9	Seal ring, servo, front	243017	€ 1,61	10	Master cylinder 230SL LHD from 08143	243010	€ 347,85
11	Master cylinder 250 - 280 SL, R107 -> '74, brand A	243811	N/A	11	Master cylinderFN	243011	€ 269,00
11	Master cylinder 250 - 280 SL, R107 -> '74, brand	243711	€ 250,82	11	Master cylinderFN	243012	€ 297,60
14	N007604010108	242997	N/A	15	Repair kit m.c.FN	243715	€ 14,38
15	A002430280164 Repair kit m.b.c.(Bendix)	243021	N/A	15	A0005860643 Repair kit m.c.FN	243013	N/A
15	A0005869143 Repair kit m.c.FN	243014	N/A	15	Repair kit mastercylinder ca.68-74, TRW	243815	€ 143,97
15	Repair kit mastercylinder ca.68-74, FTE	243015	€ 92,92	20	reservoir, ca'62-'67 (no floater),reproduction	243705	€ 76,64
20	LZ: Behälter bis ca. 07.'67	243805	N/A	20	A0004314502 Fluid tank -->11.1967	243005	N/A

21	A0004315433 Reservoir cap	143023	€ 15,55	22	Seal ring in cap	143022	N/A
23	Reservoir from '68, fits manual	243606	€ 90,18	23	reservoir, version similar W123	243706	€ 82,11
23	Cable con.housg. 2-pole eg brake res.	254058	N/A	23	part of housg. 2-pole male connector	254087	€ 5,12
23	Reservoir12.67->7.75,replaced!see pic	243006	€ 289,27	24	A0004314334 Strainer for reservoir	143024	N/A
30	Rubber grommet, Mastercyl. up to '67	243019	€ 2,62	30	Fittings kit, master cyl reservoir ->67	243003	€ 50,36
30	o-ring seal for master cyl reservoir ->67	243033	€ 3,31	31	Rubber grommet, Mastercyl. 11.'67 -> 08.'75	743027	€ 3,02
40	A0004314387 Seal boot	243027	N/A	40	A0004312987 Protective cap	243026	N/A
45	Bolt @ booster lever, eccentral	243828	€ 18,75	45	Eccentric bolt, brake pedal, repro	243028	€ 24,99
46	A1102920150 Bushing, servo con. lever u	229019	N/A	47	Bushing, pedal to booster link	229023	€ 22,00
48	A1132920050 Bushing,pedal yoke Rt.	229024	N/A	49	A4254260053 Bush, main, brake pedal lev	229025	N/A
50	Rubber pad, brake and clutch pedal, no name	229005	€ 4,71	52	A1079930410 Release spring for brake pe	129030	N/A
53	Boot,bulkhead,brake push rod, 113 LHD	229018	€ 13,01	55	A1112910086 Stop buffer, pedals	229015	N/A
60	brake light switch, 4-pole, see illustration	954019	€ 75,51	60	requires new style el.coupling	254019	€ 21,00
61	Nut, stop light switch	254053	N/A	62	plastic ring, pedal stop @ brake switch	254107	€ 26,18

42.c Brakepipes

42.c Brakepipes

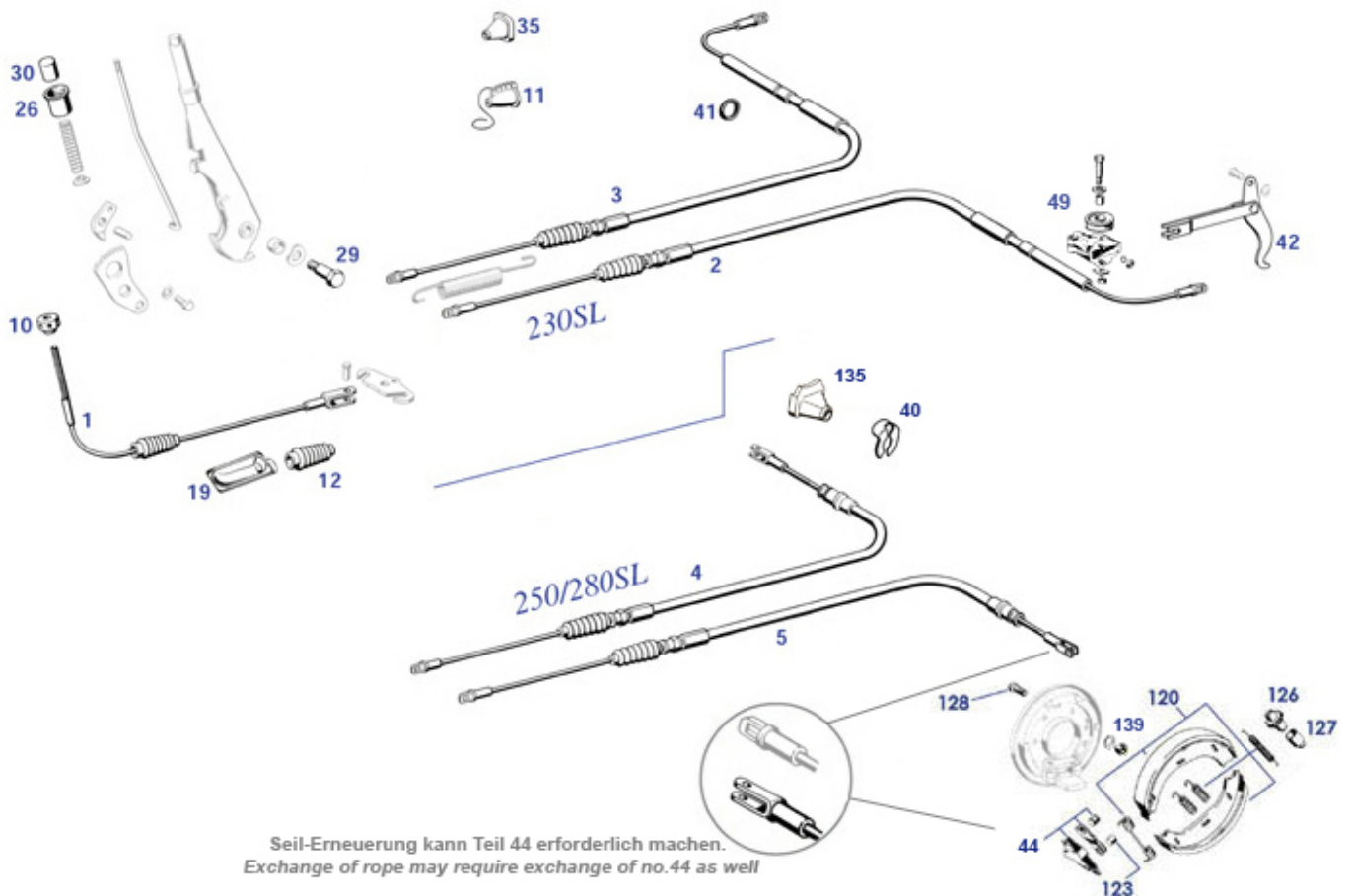


	A0004313612 Regulator,brake sys	242069	N/A		Sheet metal screw with hexagon 5.5 X 13 galvanized	990102	€ 0,20
	workshop fitting for 4.75 lines, male thread, hex	942966	€ 0,36	1	Brake hose, front Lt.or Rt.	242040	€ 49,99
2	Brake hose rear left up to model year 1966	143051	€ 32,00	3	Brake hose, rr.rh. 220mm, W121,113,111,108...COH	143052	€ 49,99
5	Brake hose, rear Lt.	242111	€ 50,99	10	Brake line 195mm :, 230frt Lt.,107	742104	€ 14,28

15	Brake pipe master cyl./junction, LHD 3190mm	742065	€ 36,89	18	rear Brake pipe, rear middle 635mm	242064	€ 15,35
20	Brake pipe 525mm: rr ->'67 LH, '67-> RH	242101	€ 14,85	23	Brake pipe 430mm: rr LH 190SL+pontoon	142030	€ 5,68
30	Brakeline 450mm:R-RH(drumbrke),+frtLH'6	142020	€ 27,49	33	Brake pipe, front Rt.,late 1650mm	242067	€ 32,00
35	Brake pipe, long, ctre section, 3100mm, 250-280SL	242065	€ 34,50	40	Brake pipe, rear ctre or rr.LH, 575mm	242066	€ 7,89
50	Distributor, brake lines, 3 conn., no bleeder	142008	€ 16,59	50	A0004283624 A0004283624 Brakeline distr	242004	N/A
50	Verteiler Bremsltg. m.Entl. hi. 57->	242104	€ 311,26	52	Rubber grommet 3/18, 121,113,107 and other	199010	€ 1,67
54	N007604010108	242997	N/A	55	Cage nut M6, no locking	188835	€ 1,90
55	replaceable into 188835	188035	N/A	56	Bracket 250-280SL	243658	€ 1,06
56	Retaining clamp, brake hose	143036	€ 0,99	56	Retaining spring 250-280SL	243058	N/A
58	Lock plate ,brake pipe,front	243057	€ 4,05	61	see 243859	243059	N/A
61	Rubber sleeve	243859	€ 2,38	62	3-way Clamp Fuel Pipes, W113 (EU)	247040	€ 2,90
62	Clamp, fuel pipes	247049	€ 2,68	63	Rubber protect. 2+1 pipes in clamp	247839	€ 7,09
63	A1094760384 Rubber inlay, clamp, 4 line	847038	N/A	64	Clamp, bulkhead	242058	€ 2,76
64	Clamp, rear floor, fits 6mm wire or pipe	242059	€ 3,99	65	1 m Fuel hose, 4 x 10	247046	€ 4,76
66	Clamp 5mm e.g. brake lines	143038	€ 0,50	79	Gasket, rear axle brake control	242168	€ 5,19
79	brake force limiter rear axle 111/108 6Z FN	842069	€ 329,99	79	see 842069 due to merged variation	242869	N/A

42.d Handbrake

42.d Handbrake



No Sale ! Cable rear right 250-280SL

[242880](#)

N/A

No Sale ! Cable rear left 250-280SL [242870](#)

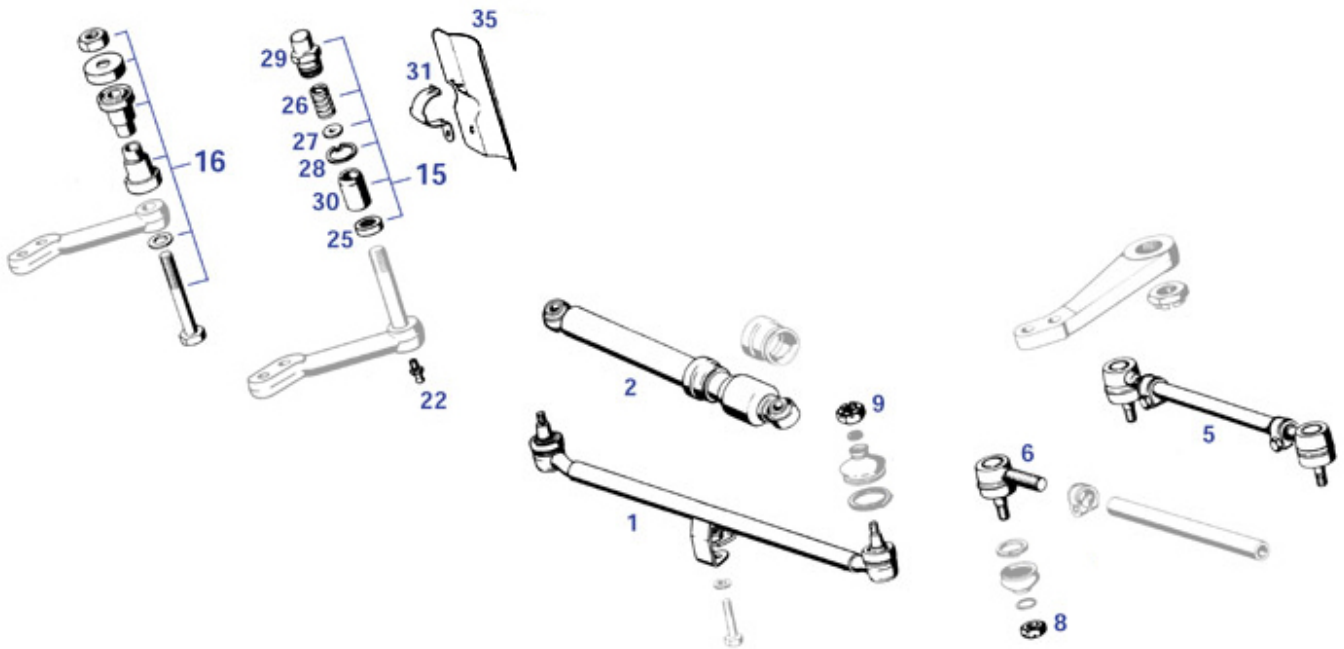
N/A

	Coil spring @ brake rear, e.g. 230SL ..	242862	€ 8,10		Spring, hand brake release knob	242875	€ 13,61
	Screw, backplate to axle, 250-280SL	242117	€ 39,98		Rippenriemen 2415mm, zB103 Klima+LuPu	999101	€ 51,37
1	N/A ! A1134200085! Brake cable, front, 230-280SL	242600	N/A	1	Brake cable, front, 230-280SL	242800	€ 95,69
2	Parking brake cable 230SL left	242730	€ 99,95	3	Parking brake cable 230SL right	242740	€ 99,95
4	Brake cable,rr.Rt. 250-280SL	242180	€ 66,22	5	Brake cable, rr.Lt. 250-280SL	242170	€ 62,90
10	Nut	242097	€ 90,64	10	Nut, parking brake adjuster	242897	€ 50,24
11	Sleeve,brake cable	342037	€ 27,50	12	Bellows, e.g. ctr brake cable	242876	€ 9,39
13	N000094002059	242096	N/A	13	A1262920074 Pin, equalizer bracket	242098	N/A
16	A1104270113 Equalizer bracket	242095	N/A	17	A1989930210 Spring	242555	N/A
19	weld-in-patch, near tunnel/floor pan frt LH	201035	€ 86,08	25	A1984270050 Brake lever bushing	242087	N/A
26	Sleeve, hand brake	242079	€ 10,19	27	A1989930001 Spring, see 242875	242075	N/A
28	A1984270076 Washer	242086	N/A	29	Bolt, hand brake link	242148	€ 28,95
30	Push button, ivory	242077	€ 38,85	30	Push button, black	242078	€ 11,00
35	A1084270496 Sleeve, Rt. cable, FN	242034	N/A	35	A1084270396 Sleeve, Lt. cable, FN	242033	N/A
40	Lock spring washer eg brake wires	242043	€ 2,05	41	A1139970241 rubber ring, cable, rear	242044	N/A
41	Set locking shim + O-ring, brake wire R	242844	€ 45,99	42	Handbrake lever, Rt.	142043	€ 258,65
44	link, fits new brake rope eye	242855	€ 10,65	49	locking plate, brake wire housing	242154	€ 8,66
49	Cable spool housing Repro, fits L or R	242845	€ 51,40	49	Bolt, brake rope @ guide roll	342999	€ 27,10
49	Pulley, brake wire, plastic	242151	€ 14,30	120	Brake shoes and fitment parts, FEBI	242700	€ 17,11
120	Brake shoes and fitment parts, ATE	242200	€ 32,40	120	Spring @ brake shoe	842193	€ 0,33
123	A1084270074 Pin for lever	242156	N/A	126	A1234200073 Tightening screw	242157	N/A
127	A1164230050 Bushing, brake adjuster	242158	N/A	128	Repair set, brake caliper	242017	€ 77,35
135	Rubber grommet brake rear rt late	242838	€ 9,31	135	Rubber grommet, brake rear lt late	242837	€ 9,31
139	Hexagonal nut 10 M8, galv. Verz.	990101	€ 0,15	139	Grip washer M8	299274	€ 0,29

46 Steering

46.a Steering, Linkage

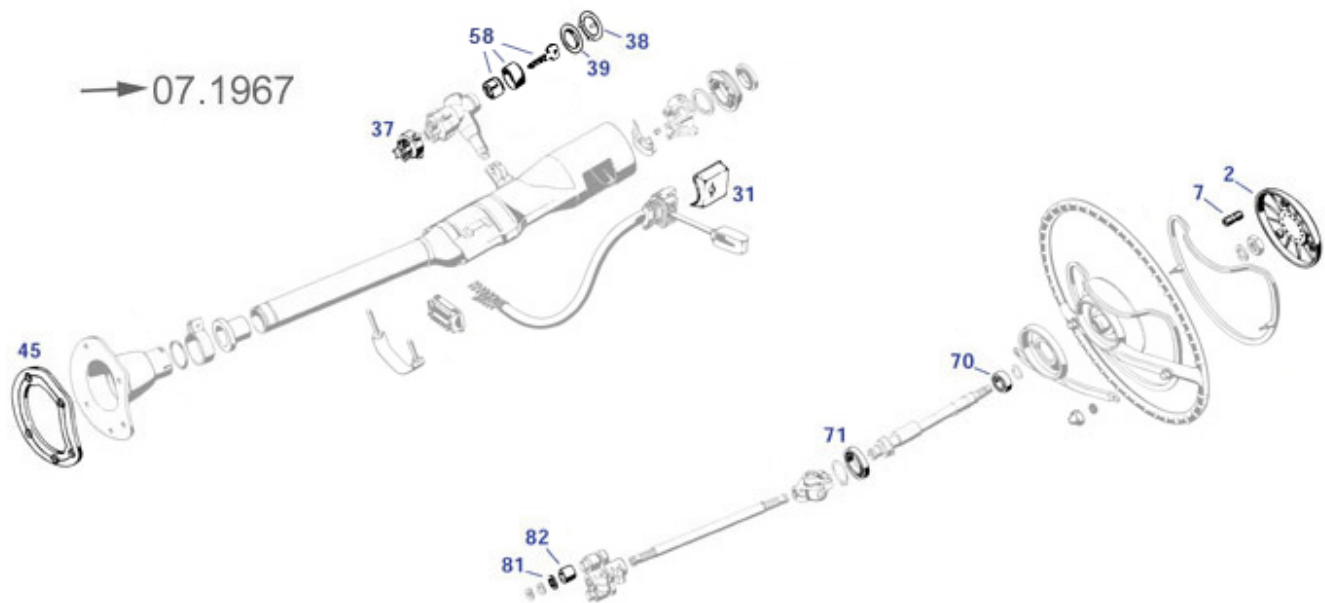
46.a Steering, Linkage



	A1164200685 Brake cable W116 SEL fr.	642101	N/A		hex.head screw M10X1X45, e.g.	233147	€ 0,72
	Tie rod R113; 63-72,others up to'85	233090	N/A	1	steering damper		
					set steering rod with special screw and washers	246660	€ 38,08
1	centre tie rod, brand Corteco	246760	N/A	2	hex head screw 10.9 zinc plated M10X1X40, eg. stee	233146	€ 1,23
2	Steering damper	246080	€ 45,09	6	Left Tie Rod end -"Febi"	233091	€ 7,25
6	Right Tie Rod end -"Febi"	233092	€ 7,25	7	A0003300485 Boot w/attaching ring	233093	N/A
8	Castle nut M10X1, thin shape, early joint	133706	€ 2,45	8	hex nut M10 X 1, prevailing torque type, tie rod e	233094	€ 1,51
9	Cotter pin 2,0 x 25, e.g. tie rod nuts	299460	€ 0,12	9	Split pin 2,5 x 25, fits crown nuts seering linkag	133007	€ 0,24
9	Castle nut M10X1, long shape, early joint	133006	€ 2,38	16	Steering arm repair kit from '68 FEBI	246062	€ 19,50
20	A1114601319 Steering idler lever up to ca.'68	246072	N/A	21	A1084630310 Intermed. lever 280SL	246073	N/A
22	Grease nippleFN	233048	€ 0,26	22	Cap for grease nipple, red	333048	€ 0,65
25	pls see pictures 246967246067	246967	€ 6,19	25	seal ring with plastic ring insert	246067	€ 9,38
26	Thrust spring, steering link ->FN	246068	€ 11,28	27	Thrust washerFN	246069	€ 13,99
28	Locking tab ring	199005	€ 3,30	29	Cap, steering boxFN	246066	€ 29,55
30	Idler arm bushing	146023	€ 31,25	31	Fixing, shield, steering li	249079	€ 7,89
35	heat protection, 113LHD up to '68	249065	€ 138,99	35	del-t: heat protection, 113LHD from '68	249066	N/A
35	Protective plate ,frt well, LHD	249070	€ 175,86	38	Bolt, M8x35, fits drag links	233199	€ 0,44

46.b Steering Column up to 07.67

46.b Steering Column up to 07.67

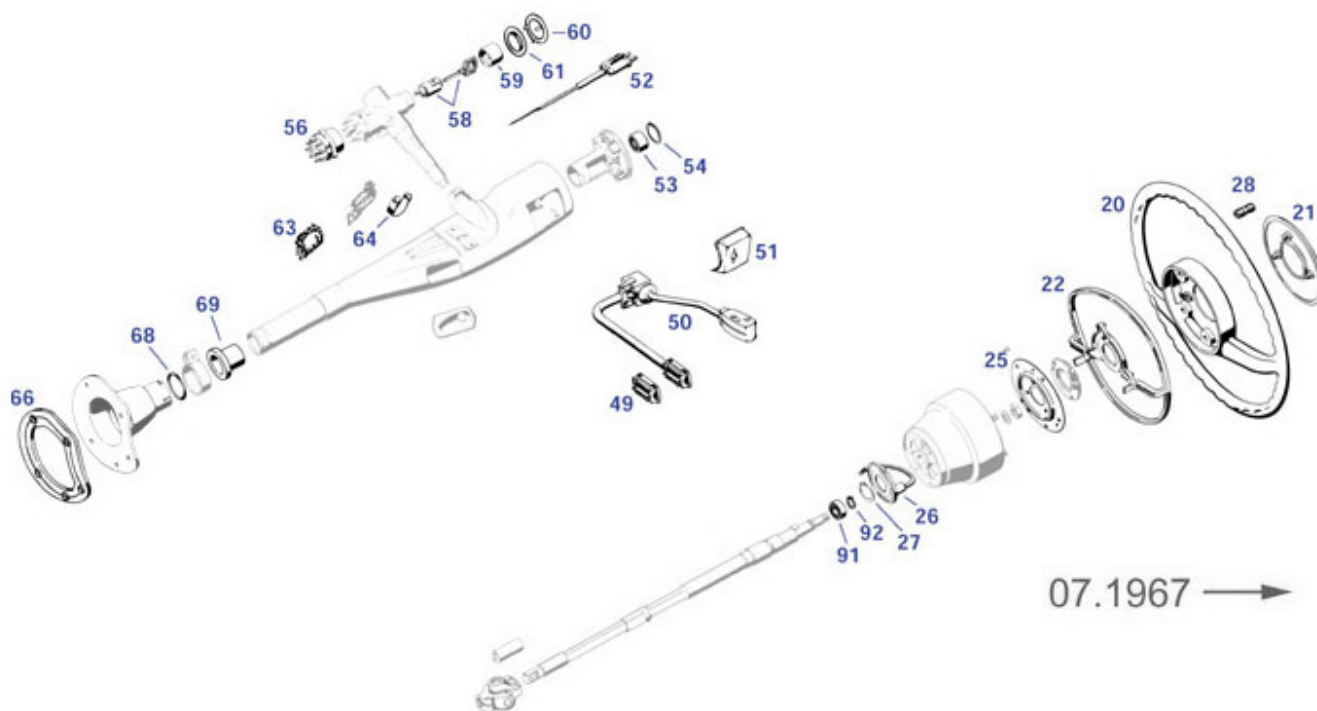


	several petrol vehicles (no Diesel), fits banjo st see 246162	246890	€ 89,25		A1114620165 Nylon bushing, coupling,ear	246076	N/A
		246161	N/A		A1134620280 Gasket, steering shaft/floo	246008	N/A
	Chrome nut, hub spoke ->67 horn push	246215	€ 13,09		Contact ring,steering	246137	N/A
	A1154600957 Universal joint	246075	N/A		A1164620096 Sleeve on outer pipe lower	246049	N/A
1	A1124600103 Steering wheel, ivory	246025	N/A	1	A1124600203 Steering wheel, black early	246000	N/A
1	A1124600503 Steering wheel, ivory	246020	N/A	1	A1124600003 Steering wheel, black	246005	N/A
2	A1114600742 Steerghubpad->67,ivory	246010	N/A	2	base disc for hub pad up to '67, Repro, see pict	246811	€ 162,14
2	A1114600642 Steerghubpad->67,black	246011	N/A	5	A1004640115 Horn ring,without take-up b	346020	N/A
6	A1114640636 Horn ring hub support	246015	N/A	7	A1114640024 Fixing sleeve, s/w. hub pad	246012	N/A
7	N/A! Fixing sleeve, s/w. hub pad up to ca.'67	246712	N/A	29	A0005453728 Con. 12 pole, c.inst./dir i	246052	N/A
30	A0015455524 Indicatorswitch --> 250SL e	246001	N/A	30	Switch up to'67, Repro, LHD+RHD	246801	€ 510,50
31	Sleeve, steering column->switch arm	246007	€ 29,80	33	A0009811018 Ball bearing,230SL from 102	246139	N/A
34	retaining rings for bores 42 X 1,75	246136	€ 0,60	35	A1114620628 Bearing ring, str. col. upp	246134	N/A
36	A1134620233 Locking device, str. col. u	246133	N/A	37	several petrol vehicles (no Diesel), fits banjo st	246090	€ 98,92
38	lock escutcheon up to '67, Alu anodized	268041	€ 7,98	38	lock escutcheon up to '67, Brass, chromed	268741	€ 14,68
39	Rubber pad, dec. ring, ->'67	268042	€ 16,18	45	Rubber gasket, 113 LHD steering column @ cabin flo	246808	€ 81,46
45	Rubber gasket, 113 LHD steering column @ cabin flo	246708	€ 47,59	46	A0009972041 Sealing ring, str. col. low	246019	N/A
47	grommet, lower steering tube to spindle	246849	€ 16,99	48	A1134600165 Clamp, steering column	246097	N/A
58	Replacement originally not planned, specialist wor	246034	€ 255,85	61	lower steering shaft 230SL LHD PWS, Repro	246151	N/A

70	ball bearing upper steerg column 20x42x12	246162	€ 5,58	71	Bearing in column early types (near cross joint)	246164	€ 15,74
72	retaining rings for shafts 20 X 1,2	299498	€ 0,26	73	Spring @ horn button, steering column ->'67	246018	€ 38,40
80	A3094600210 Steering coupling,early	246070	N/A	81	A1159901740 Washer	246077	N/A
82	Nylon bushing, coupling,early PU	246776	€ 17,59	82	del.- t. Nylon bushing, Repro, early column	246876	€ 5,52

46.c Steerg. column from 07.67

46.c Steerg. column from 07.67

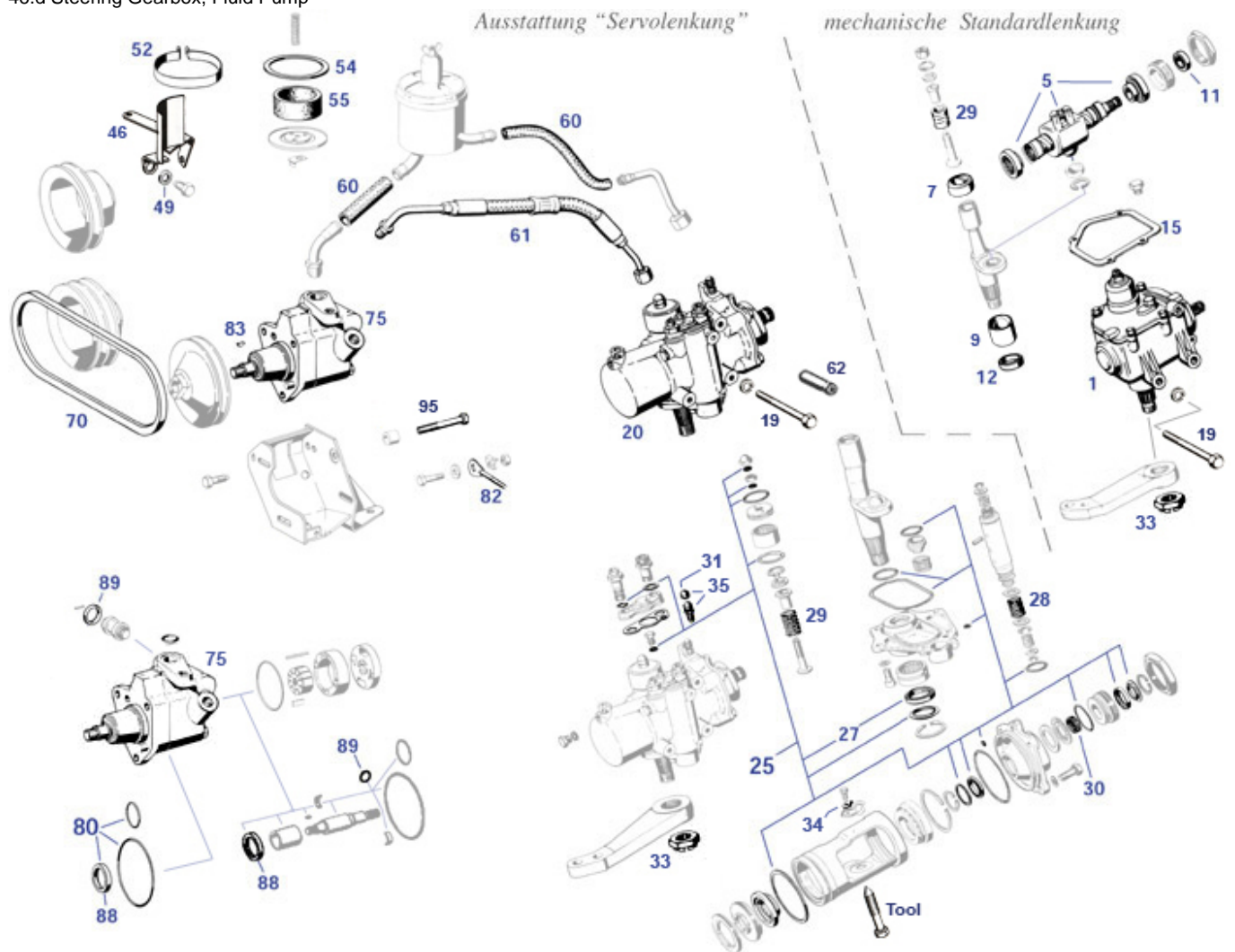


	Handle, key, fits up to 11.'78 ca	789890	€ 5,95		A1134620280 Gasket, steering shaft/floo	246008	N/A
	Contact ring,steering	246137	N/A		hex. head screw with UNC thread, for Vickers cast	246896	€ 3,45
	A1154600957 Universal joint	246075	N/A		A1164620096 Sleeve on outer pipe lower	246049	N/A
20	A1154640301 Steering wheel, ivory	246039	N/A	20	A1004640901 Steering wheel, black late	246042	N/A
21	Steering hub cover, black (repro, non cushioned)	246843	€ 130,28	21	Steering hub pad, black-> see 246843	246043	N/A
21	A1154640442 Steering hub pad, ivory	246045	N/A	22	A1154640515 Horn ring,matt chromed (US/	246048	N/A
22	Chrome ring, horn switch, 67->, Repro	246844	N/A	22	A1154640415 Horn ring,chrome	246044	N/A
25	A1154640134 Contact ring, steering	246013	N/A	26	Contact plate ,steering	546001	N/A
27	N900055032200	246014	N/A	28	Fixing sleeve, s/w. hub pad 67->	246046	€ 1,42
49	A0095455428 El. Connector	246057	N/A	50	Turn Signal Switch Pagoda 250-280SL 1967-> (LHD	246802	€ 549,90
50	A0025452924 Indicatorlight switch 250-2	246002	N/A	51	Sleeve, steering column LHD, '67->	246006	€ 28,56
52	A1074640143 Contact,steering wheel	246047	N/A	53	Needle bearing, steering column from 1967, ref.-No	246163	€ 9,33
54	retaining rings for bores 42 X 1,75	246136	€ 0,60	56	A1164620093 Switch.ignition ca 67-80	246091	€ 79,99

58	A0004600004 Lock cyl. 250/280SL, ign.lo	246054	N/A	58	Lock cyl. 250/280SL, ign.lo	246854	€ 82,11
58	Lock cyl. w.step, key-no! FN!	246064	N/A	58	A0004626630 Lock cyl. w.step,key-no! '6	246074	N/A
59	A0004620923 Cover,ignition lock, FN	246055	N/A	59	A0004621023 Cover,ignition lock, FN	246056	N/A
60	lock escutcheon from '67, Alu anodized	268043	N/A	60	Rest: escutcheon from '67, brass, chromed	268743	€ 14,99
61	Rubber ring 1967 -> 07..1979 A1156890097	268044	€ 4,61	63	A1134620296 Sleeve, str. col. 280SL ..0	246017	N/A
64	A1154600322 Str. lock outer, 280SL from	246094	N/A	66	Rubber gasket, 113 LHD steering column @ cabin flo	246808	€ 81,46
66	Rubber gasket, 113 LHD steering column @ cabin flo	246708	€ 47,59	68	A0009972041 Sealing ring, str. col. low	246019	N/A
69	grommet, lower steering tube to spindle	246849	€ 16,99	91	see 246162	246161	N/A

46.d Steering Gearbox, Fluid Pump

46.d Steering Gearbox, Fluid Pump



hex. head screw with UNC thread, for Vickers cast	246896	€ 3,45		Repr. kit,pump impellor	246106	N/A
A0009814027 Shoulder bearing, steerg.lo	246135	N/A		A1209900551 Nut, mech. steering gear	246093	N/A
A1274600835 Mounting bracket for PAS oi	246141	N/A		A1094600524 Pipe bend, PAS, return, lat	246088	N/A
Alignment bolt, steering centering	258460	€ 55,54	1	pre-assumed: arrival of used gear	246122	€ 1.362,95

1	A1114604401 Steering box, new, mech., R	246160	N/A	1	A1114604301 Steering box assembly, new	246120	N/A
5	N/A ! A3094600308 Steering worm with bearings, n	246130	N/A	6	A0009815027 Spindle bearing, mech. stee	246095	N/A
7	A1114620250 Bushing,steering box,upper	246984	N/A	7	Repair-bushing, upper. steerg box	246084	€ 33,43
9	A1114620350 Bushing,steering box,lower	246985	N/A	9	Repair-bushing, lower, steerg box	246085	€ 21,22
11	Seal ring e.g. steerg box / gear box	227811	€ 2,44	12	Seal ring e.g. steering box lower late	146087	€ 9,47
15	Gasket.steering box,upper, man/noP/St	246086	€ 19,30	15	Gasket.steering box,upper, man/noP/St	246786	€ 10,71
19	Bolt M10 x 105, 10.9, e.g. Steerg @ frame rail	246199	€ 7,21	19	Spring washer, u/j bolt	235303	€ 0,42
20	A1094601001 Steering ram, pas. New	246110	N/A	20	We would be happy to advice you Steering box, ser	246211	N/A
25	Gasket kit pwr steering 108-113, brand FEBI	246105	€ 37,95	25	locking plate	246809	€ 1,38
25	Gasket kit pwr steerg, div. 108-113	246805	€ 38,25	26	A0019973940 Seal ring	246082	N/A
27	Seal ring, power steering, lower	246081	€ 12,50	28	Coil spring lower, PWS	246128	€ 16,23
29	Coil spring, steering gear lever shaft pressure	246129	€ 16,23	30	Needle bearing eg. power steering upper spindle	246126	€ 6,40
31	Bleeder valve cap, brake, steering	143041	€ 2,62	32	A0039811810 Needle brng.SV-LG, shaft up	246124	N/A
32	A0009818210 Needle brng.SV-LG, shaft up	246123	N/A	33	Split pin 5 X 45, eg castle nuts steering	246213	€ 0,43
33	i e. power steerg 108-113	246219	€ 8,46	35	A0009818110 Needle brng SV-LG, shaft lo	246127	N/A
35	Bleeder valve (M10 fine), 190brake, Steerg(Pws)	142003	€ 4,05	45	A1274600383 Oil reservoir, PAS	246140	N/A
46	bracket for servo reservoir	246247	€ 51,48	47	A1100520171 "Bolt,enginehsg.;if powerst	205099	N/A
49	alu seal ring M12, eg.eng.block @ chain	298712	€ 0,13	52	A0059972990 Clamp, pas. Fluid tank	299063	N/A
52	clamp@bracket for servo reservoir	246248	€ 30,38	54	Sealing ring, fluid tank cap	299023	€ 3,68
54	Sealing ring, fluid tank cap	299723	€ 2,99	55	Filter, pws. fluid tank	299022	€ 29,99
57	A0002360076 Smoothing baffle, PAS oil r	246142	N/A	58	Spring, PWS balancing tank	299030	€ 7,38
59	A0004660373 Clip PAS oil reservoir	299031	N/A	60	1m oil hose pws-return line, i.d.15mm	299020	€ 28,75
60	Hose clamp 20-32mm, worm thread style	750042	€ 1,09	60	Hose clamp 24-32, worm thread style	999889	€ 1,51
61	Hose, hydraulic, PWS, RHD	290099	€ 169,00	61	Hose, pump to power steering	299021	€ 129,70
62	steel tube, steering gear mount @ frame	262131	€ 14,22	65	A1144600324 Pipe bend, PAS, return, ear	246087	N/A
67	A1274600024 Pipe bend, PAS, on pump	246089	N/A	70	V belt 13 X 750 e.g. PWS-pump	299102	€ 6,19
72	Pulley,PWS-pump late: conical fit	246121	N/A	72	Pulley early pws pump (cyl style shaft)	246101	€ 390,32
74	A1084660515 Pulley, cs., pas.(single)	246107	N/A	75	Pump,pwrsteerg, used, sealed, tested, (old part re	246500	€ 607,14
75	Pump,pwrsteerg, used, sealed, tested, (old part re	246100	€ 609,99	75	A1274601280 available?ump,pwrsteerg,ne	246900	N/A
77	A0005860046 Repr. kit,pressure valves	246103	N/A	80	Short gasket kit , pws pump "cyl-shaft"	246104	€ 2,68
82	Tensioning bolt, power steering pump	299025	€ 30,64	82	A1804660074 Clamp bolt	299024	N/A
83	woodruff key, pump shaft pws	246116	€ 9,50	84	A1804660251 Distance ring 12.75mm	246252	N/A
84	A1804661051 Distance ring 11.25mm	246250	N/A	84	A1804660151 Distance ring 12.50mm	246251	N/A
84	A0009920720 Distance ring 13.00mm	246253	N/A	84	A1804660651 Distance ring 12.25mm	246256	N/A
84	A1804660751 Distance ring 12.00mm	246257	N/A	85	A0005865646 Repr. kit,pas.,shaft+bushes	246115	N/A
88	Oil seal, PWS pump VT27	246144	€ 6,14	89	O Ring, pressure valve	246145	€ 3,50
92	A1294600035 Bracket for PAS pump	246098	N/A	94	A1279900101 Bolt, mounting bracket, PAS	246149	N/A
95	Bolt Vickers PWS pump, 3x required	246096	N/A	95	A0019904301 Bolts for PAS	246112	N/A
246132	A1114620137 pan	246132	N/A	246150	A3094600211 Main shaft, mech.	246150	N/A

46.e Special Steering Wheels

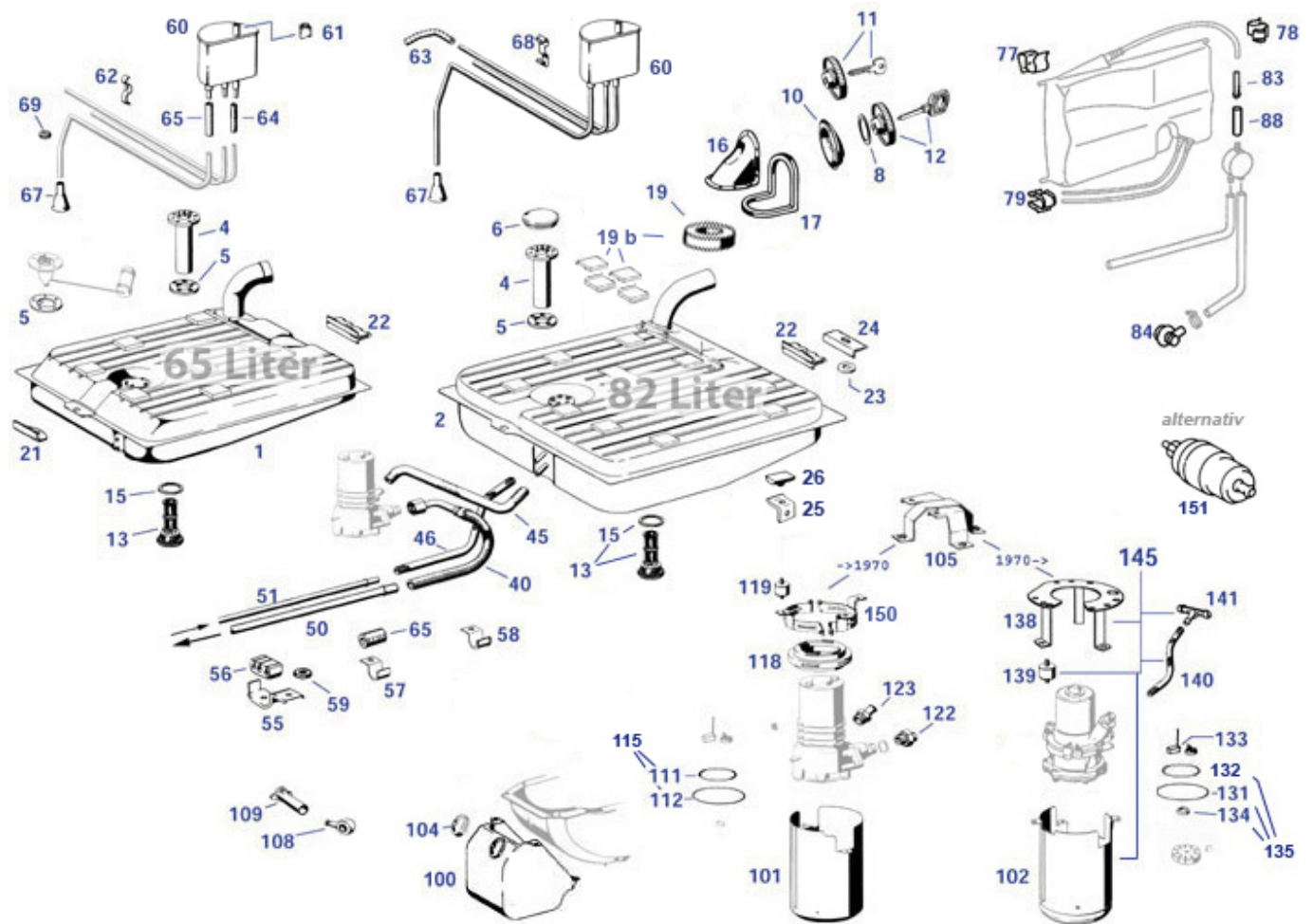
46.e Special Steering Wheels



1	Nardi-Classico, wd/alu 39cm no hub	746010	€ 575,00	2	"NA- Nardi-hub '65->'67, no "ABE"	246021	N/A
3	Nardi horn button 1-pole	246023	€ 133,16	4	"Steerghubmount"Nardi"68-76,noT UV"	246022	€ 143,99

47 Fuel Tank

47 Fuel Tank

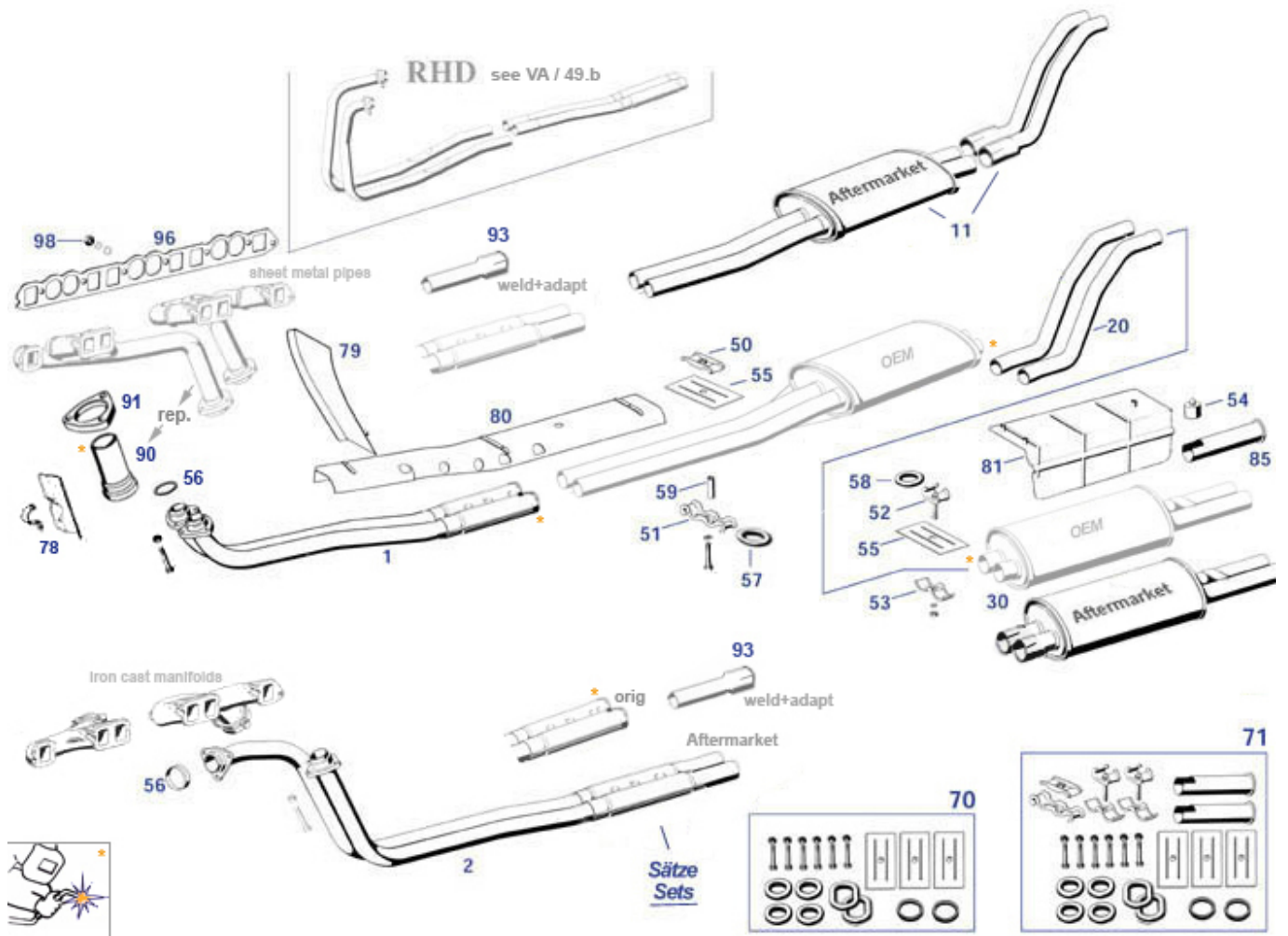


	rubber inlay, for 3 pipes (8 + 8 + 5mm)	247859	€ 5,63	Filler grommet Repro, quality see pict.	247011	N/A
	N/A: Bosch 0 580 464 003	747005	N/A	one pce mat 50 x 100 cm	968035	€ 31,50
	Pumpe"D-Jet"-Types see 247821	247021	N/A	hose clamp 10-16, worm thread style	999888	€ 1,84
	A1109870145 see 147016 or 347014	247014	N/A	Fuelpump 06.76->08.85+300SL	747006	€ 71,61
	clamp inlay	747038	€ 1,84	A0005450197 Spring for carbon brushes,	247054	N/A
	Pipe,ff - fp.250-280SL, flexible section	247719	€ 69,00	impeller disc, small feeder pump 280SE/SL	247070	€ 118,99
	-NL- Satz Kohlebürsten, Benzinpumpe fr	247058	N/A	A1154710268 Expansion tank	247068	N/A
	A1154711668 Vent. vessel, large, 280SL,	247078	N/A	A1234700193 Checkvalve, fuel return	247065	N/A
1	A1134700601 A1134700601 Tank 65 ltr, 23	247008	N/A	Damping set, filler neck->boot	247689	€ 31,83
1	Fuel Tank 65 litre, Repro	247708	N/A	Fuel tank 82ltr, 230SL late	247009	€ 970,50
3	Rest: Tank sender, Iver style, 65 Litre	247016	N/A	Fuel sending unit, modified for 230SL	247816	N/A
4	A110 542 1204 Tank sender, 82 Litre	247006	N/A	fuel sender, 250/280SL, Repro	247606	€ 189,89
4	fuel sender, adapated to fit 250/280SL	247706	N/A	Gasket for fuel sender 1956-1972 A1104710180	147015	€ 1,48
6	round cover above fuel sender,Repro	247814	€ 5,20	Cover above fuel sender, plastic,black	347014	€ 7,79
8	Seal ring @ gas cap	247010	€ 2,98	Grommet for Fuel filler neck	247811	€ 24,10

11	N/A Gas cap locking non-vented	147010	N/A	12	A0004714730 Gas cap locking	147008	N/A
13	threaded plug with filter element	247012	€ 20,35	15	280SL 01035		
16	Cover plate, filler neck	269020	€ 31,77	17	Seal ring, tank filter	247013	€ 0,26
17	16 m sealing compound strip 3mm black	699996	€ 10,59	17	Edge protection profile mtr, eg trunk	269010	€ 3,80
19	Sealing ring, filler neck->boot	269030	€ 7,13	21	sealing strip, see 199995, 699995	299995	N/A
22	Retainer, spring, fuel tank	247062	€ 41,44	23	Bracket, fuel tank front	247066	€ 37,08
24	Clamp, fuel tank, rear	247026	€ 5,77	25	Shim, Exh/Tank support	298776	€ 2,83
26	Rubber buffer	298895	€ 2,63	40	Bracket	347026	N/A
40	Hose clamp 15mm	947997	€ 3,09	40	Hose,ff.,230SL to vn.013014, W111, ..	247002	€ 44,95
45	1m Fuel hose tank->pump 11/17mm, fabric	247005	€ 10,41	46	Fuel hose, forwards 230-280SL	247031	€ 47,59
46	1m. Fuel hose 7,5x13,0 flat surface	247007	€ 8,50	50	1m fuel hose 7,5x12,5 fabric surface	247807	€ 7,13
50	Fuelfeedline230-280SL	247032	€ 115,00	50	A1134760301 Sup.fuel line, 230SL ->0130	247024	N/A
51	Return fuel line about 300 cm	247027	€ 101,95	51	A1134760501 Ret.fuel line, 230SL ->0130	247025	N/A
55	Clamping Bolt M6 for square bodypanel holes	188036	€ 8,45	55	Clamp, fuel pipes	247049	€ 2,68
56	see 247859 or 747038	247059	N/A	55	3-way Clamp Fuel Pipes, W113 (EU)	247040	€ 2,90
56	Rubber protect. 2+1 pipes in clamp	247839	€ 7,09	56	A1094760384 Rubber inlay, clamp, 4 line	847038	N/A
58	Clamp,pipe,under body,rear	247053	€ 7,69	57	Clamp,pipe,front, outrigger	247052	€ 5,94
60	expansion reservoir for fuel tank ventilation	247868	€ 140,00	59	rubber washer fits M6	299081	€ 1,19
62	Clamp, expansion tank 6mm/9mm	247069	€ 9,70	61	A0039888178 Clip, expansion tank	247067	N/A
63	A1264761526 hose elbow,tank ventilation	247045	N/A	62	Washer 6.4 large, yellow zincd	299276	€ 0,18
65	Hose, 8,5/15mm, 1 metre	247050	€ 12,60	64	1 m Fuel hose, 4 x 10	247046	€ 4,76
67	Sleeve, tank ventilation	247079	€ 7,95	65	1m Fuel hose 5,5mm e.g. 107-fuel vent.	247047	N/A
69	Grommet, 4,5/10mm, cable@wheelarch	182005	€ 2,53	68	Clip,tank ventilating pipe	247055	€ 17,30
79	A1149880178 Pipe clip	247063	N/A	78	Clip, cable	254073	€ 1,09
84	Grommet, tank vent pipe through carbody	147070	€ 6,52	83	A1144710223 Pipe section, fuel return	247064	N/A
100	Pump case,f.230SL w.spare tyre well	247060	€ 230,21	88	1m Fuel hose 5,5mm e.g. 107-fuel vent.	247847	€ 3,92
101	Hood,fuel pump, mid.generation	247861	€ 202,29	101	Hood,fuel pump, mid.generation	247061	€ 226,43
105	Upper bracket ref 1134700081, needs work	247080	€ 67,00	104	Rubber grommet	299005	€ 2,59
108	Ring eyelet, crimp, uninsulated, high-temp. MS sn,	997989	€ 0,51	105	N/A upper bracket late, try 247080	247081	€ 109,24
109	Protection tube, ref.-No. A1085460185	254146	N/A	108	Ring eyelet, crimp, uninsulated, high-temp. MS sn,	997988	€ 0,33
111	A0009979145 Seal ring,upper,early	247034	N/A	109	A1085460085 Cable protective sleeve	254147	N/A
115	Sealkit for early fuel pump (W108-113)	247100	€ 49,99	112	Seal ring,lower,early	247037	€ 4,55
119	see 247828	247028	N/A	118	Ring, early fuel pump rubber mount	247033	€ 47,10
122	Fitting with valve, fuel pump, early	247042	N/A	119	Rubber mount, e.g. Fuel pump, Air box	247828	€ 1,56
130	Fuelpump,smallversion,Bosch	247001	N/A	123	A0009975972 Fitting,fuel pump,early	247043	N/A
130	A0010915201	247901	N/A	130	Grommet for Fuel Pump Wiring	299018	€ 2,53
132	Fuelpump,smallversion,DB			131	Seal ring, late style pump, @lowr	247041	€ 3,74
134	Sealing ring, late pump, upper	247044	€ 4,17	133	housg		
134	Copper ring fits M4 screws	247051	€ 0,43	133	carbon brush, small pump	254867	€ 18,99
134	Seal ring in late style fuel pump, inne	247048	€ 2,73	134	Alu ring 22mm	199924	€ 0,60
138	Mount, fuel pump,late	247022	€ 46,67	134	Seal ring small, late pump, 3x req.	247057	€ 2,05
139	Rubber buffer,fuel pump,late	247023	€ 4,74	139	Rubber mount e.g. small fuel pump	247823	€ 3,90
150	Bracket for early fuel pump 90mm	247635	€ 89,90	141	T-connector, fuel hoses	247015	€ 4,76
150	Clamp,early ,second half	247036	€ 127,90	150	Clamp,early ,first half	247035	€ 122,71
151	Holley fuel pump, adapted for W113, loud !	247802	N/A	151	1m Fuel Hose 14/22mm	747029	€ 37,28
				151	Hose adapter diam 15->12mm, new pumps @ 82ltr	347998	€ 7,66

49 Exhaust Systems

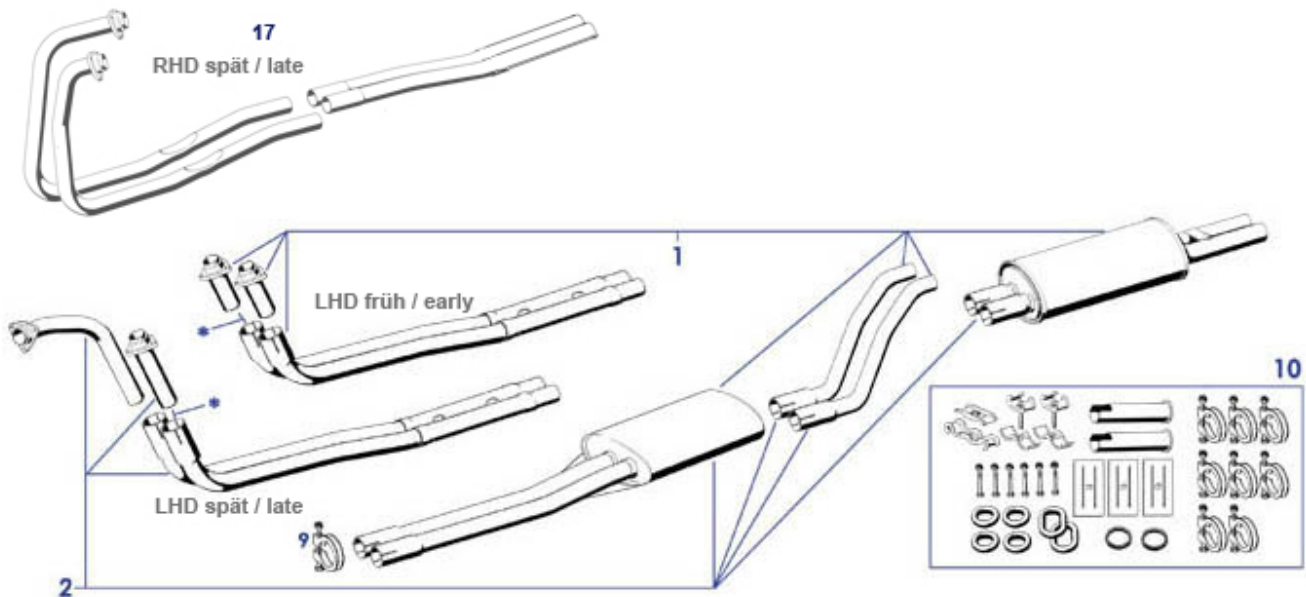
49.a Exhaust System, standard



	washer 5,3 X 15 X 1,2 zinc plated	299281	N/A		Nut M10 fine	914007	N/A
	A1291420002 Exhaust manifold, cyl. 1-3	214001	N/A		Clamp, rear, upper, steel, zincd	249714	€ 9,70
	Rear silencer Eberspaecher, zn-al-plate	249030	N/A		A1291420202 A1291420202 Exhaust manifold	214000	N/A
1	Front pipe 230LHD early, steel, coated, design as	249001	€ 239,67	1	Conn-pipe + reducer adapts welded front	249801	€ 18,22
2	IMASAF Aftermarket product, does not correspond to	249800	€ 349,21	2	Front pipe LHD '66->, steel, weld-fit	249000	€ 240,50
10	Ctre silencer R113, orig Eberspächer	249010	N/A	11	sleeve clamp 40-44mm, fits 249800	949017	€ 10,50
11	E.g. suitable for front pipe 249800 with sleeve 94	249808	€ 199,99	20	Conn. pipe rear, steel, weld-system	249020	€ 40,01
30	Rear silencer, zn-al-plated, R113	249032	€ 166,01	50	Exh.-bracket, centre upper	249013	€ 10,78
51	Clamp, middle, lower	249012	€ 9,14	52	Spacer sleeve (e.g. exhaust bracket)	849819	€ 3,76
52	Clamp, rear, upper	249014	€ 13,78	53	Clamp, rear, lower	249011	€ 6,75
54	Rubber buffer, exhaust	798747	€ 0,92	54	Rubber buffer, floor/exhaust, others...	249818	€ 4,68
55	Insulating plate	249015	€ 8,62	56	Sealing ring, exhaust manif. inner diameter 30, rubberstring 15	249060	€ 2,37
57	Rubber ring, universal,exhaust, 69x45x1	549016	€ 2,68	58		249019	€ 1,90
59	Spacer for Exhaust Hanger Bracket del-t: heat protection, 113LHD from '68	249847	€ 3,99	78	Fixing, shield, steering li	249079	€ 7,89
78		249066	N/A	78	heat protection, 113LHD up to '68	249065	€ 138,99
79	Protective plate ,frt well, LHD	249070	€ 175,86	80	Tapping screw Phillips 4,2x9,5	799936	€ 0,15
80	Panelling screw 4,8 x 13	799933	€ 0,32	80	Front Heat Shield for Exhaust	249080	€ 265,05

81	Heat prot.shield, rr.silencer	249085	€ 118,70	85	Pipes, centre sectio		
85	Tail pipe, chrome	249733	€ 22,85	90	Tail pipe, chrome, Premium quality not for casted manif-version. recomm: add 249044	249033	€ 31,57
91	Flange	249044	€ 42,48	96	Manifold Gasket M127-130 "REINZ"	214818	€ 113,05
96	Gasket Intake/Exhaust M127-130, ELRING	249990	€ 14,54	98	Washer 2mm, thick, exh-manif, bumpers .	249090	€ 14,40
98	Nut, M10, exh manifold	114008	€ 1,25	214100	Exhaust manifold for late W113 (used) Cylinder 4-6	214008	€ 0,56
214100	Exhaust manifold for laste W113 (used) Cylinder 1-	214101	€ 1.190,00	249004	A1134900820 Front pipe Rt.FN,RHD,'O'	214100	€ 1.190,00
249004	A1134900720 Front pipe Lt.FN,RHD,'O'	249004	N/A	249006	A1134900220 NI Front pipe,early FN,RHD,	249005	N/A
249006	A1134901020 Connecting pipeFN,RHD,'O'	249006	N/A	249048	Screw M8x55 exhaust bracket	249007	N/A
						249048	€ 0,96

49.b Stainless Steel Exhaust 230SL 250SL 280SL

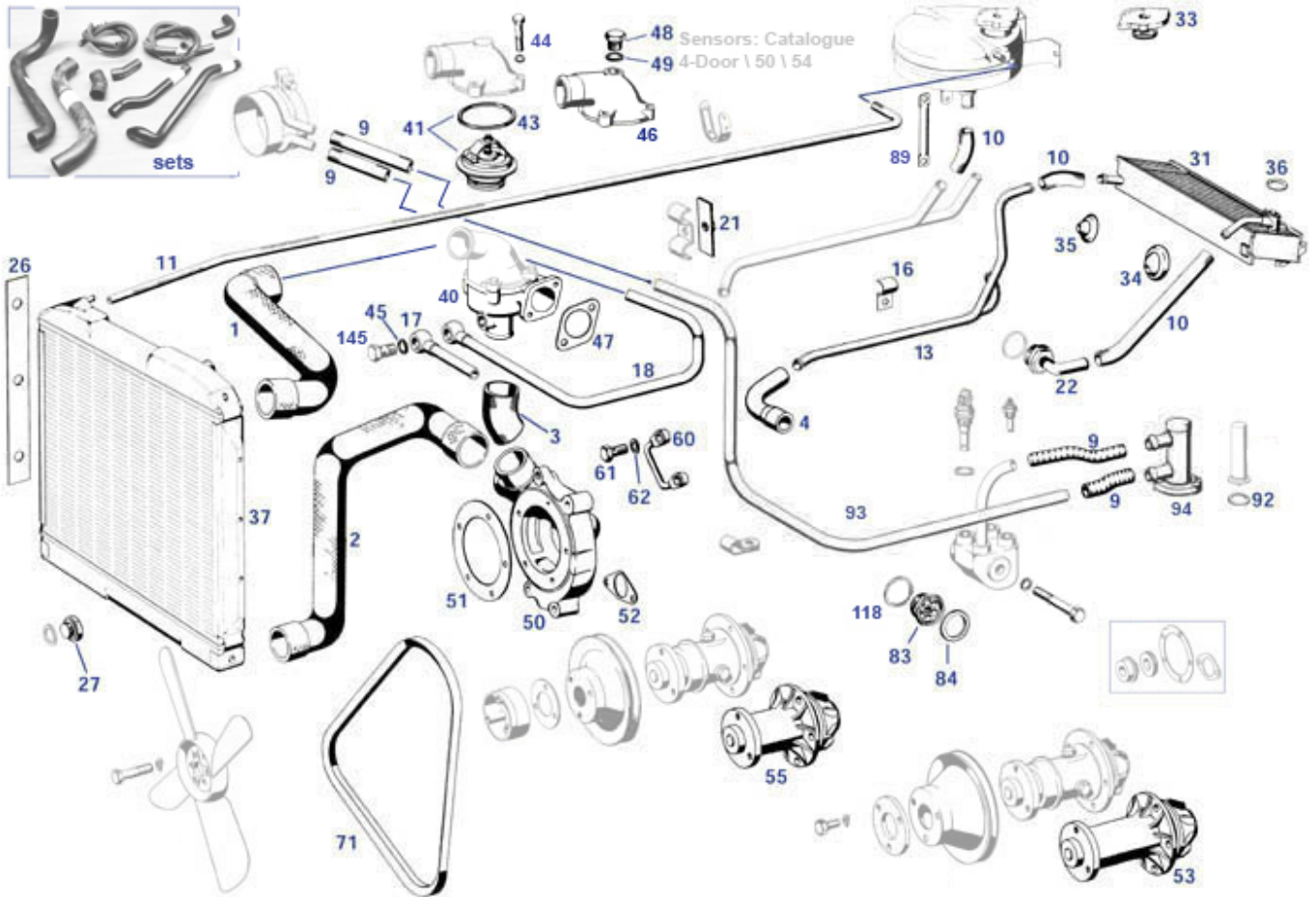


9	HD clamp 45mm 3D-shape zincd steel	249017	€ 6,60	9	Clamp 45mm, shape see picture	249817	€ 3,34
17	sleeve clamp 40-44mm, fits 249800	949017	€ 10,50	249031	Stainl steel rear muffler 113	249031	€ 389,00

50 Cooling System

50.a Cooling System 230SL

50.a Cooling System 230SL

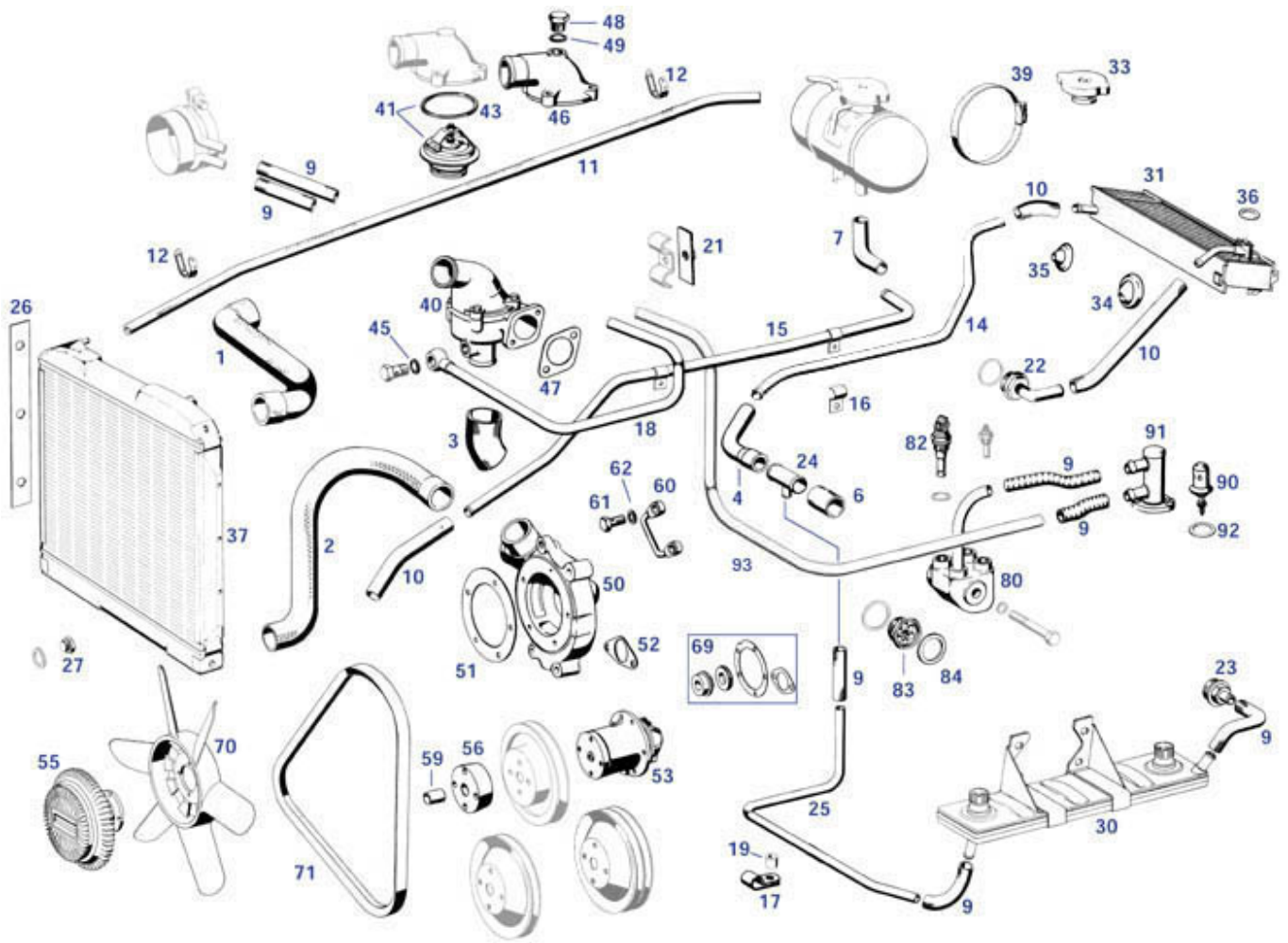


	A1302000119	220119	N/A	bolt M8 / hex 10, pump->fan (veh w.distancer) L40	220046	€ 7,14	
	Elbow,block/heater,early FN						
1	Hose,radiator,top	250012	€ 6,25	1	Hose clamp 46-54mm	750346	€ 1,08
2	Hose,radiator,bottom,late FN	250014	€ 8,83	2	Hose, radiator lower, 230SL up to 08.'64	250024	€ 21,60
3	Hose,waterpump/thermostat	250004	€ 1,80	3	Hoseclamp 30 to 45mm	250046	€ 1,25
4	CL hose, bent w. reducer, e.g.returnlin	250808	€ 6,38	4	Hose clamp 20-32mm, worm thread style	750042	€ 1,09
4	Water hose heater return, diam. reduce	250028	€ 3,87	9	1m cooling water hose 12/19mm	250823	€ 7,14
9	see 250823	250023	N/A	10	Water hose, i/D 18mm per metre	250019	€ 19,10
11	Water hose, 8/15mm per metre	250016	€ 24,50	12	Hose strap, replaces hose clamp	250099	€ 0,55
13	Water pipe w junction, 230SL LHD	283083	€ 187,53	16	Clamp, rad.water return pipe	250898	€ 1,19
16	Clamp, rad.water return pipe	250098	€ 2,86	17	A1272000452 Pipe, thermostat to fuel in	220070	€ 229,50
18	N/A ! Pipe,t'stat to cold start	220071	€ 44,03	21	A1292000040 Bracket, water pipes radiator	220079	N/A
22	Elbow, hot water head to heater	220819	€ 115,05	26	A1135020030 Rubber strip on radiator	250050	N/A
27	see 207115 Copper shim	799309	€ 1,06	31	A1138350001 Heater heat exchanger +110+111 up to 1967	283018	N/A
31	We would be happy to advice you	283818	€ 638,90	33		150017	€ 29,75
34	Rubber grommet, inlet	299003	€ 3,55	35	Rubber grommet, return	299004	€ 0,50
36	Sealing ring, heater valve	283022	€ 2,31	37	Pages + cover + floor parts must be overhauled	250200	€ 959,00
37	Pages + cover + floor parts must be overhauled	250201	€ 959,00	37	Radiator, new 230 SL, manual-LHD	250000	€ 959,00
40	A1302000115 thermostat, high cap	220099	N/A	40	thermostate lowe housing	220833	€ 105,91
41	Thermostat cartridge/gkt. 79°	220008	€ 19,58	41	Thermostat cartridge/gkt. 83°	220009	€ 16,66

43	Seal ring	220016	€ 1,31	44	Hex bolt w. slot M6, thermostate housin	220018	€ 0,71
44	Bolt M6, yellow zined, thermo.housing	220017	€ 0,29	45	Seal ring 16x20, copper, e.g. hollow bolts	220013	€ 0,17
46	Cap, thermostat housing, latest design (w.extra-ho	220834	€ 46,99	46	A1272030974 see 220834	220015	N/A
47	Gasket, thermostate	120011	€ 1,32	48	Drain plug screw M14 x 1,5 (rad. / eng,..)	250027	€ 2,70
49	Seal ring 14mm Alu	207186	€ 1,08	50	Housing, water pump M108-M130	220804	€ 83,30
50	see 220804	220004	N/A	51	Gasket, water pump	220006	€ 4,28
51	Screw M6 e.g. Bonnet hinges	299289	€ 0,38	52	Gasket, housing to engine	220014	€ 1,25
53	Water pump, 3 hole, maintenance-free	420020	€ 103,59	55	Water pump, L=75mm, 3-hole, non service	220020	€ 99,96
58	A1272000420 Waterpump 75mm, M180,127,.	220920	N/A	60	Pipe,water air venting	220005	€ 29,93
61	Hollow screw, air venting	220010	€ 2,48	62	Sealing ring ID8, eg. for hollow screw	220011	€ 0,10
69	A1102002901 Gasket set, water pump	520019	N/A	70	A1802050906 Fan	220002	N/A
71	V belt 10 X 875 eg. 230SL Alternator	299106	€ 4,75	76	A1272050426 Spacer,engine fan	220031	N/A
77	A1272050126 Spacer,engine fan(a.r.)	220032	N/A	78	A1272050010 Pulley	220024	N/A
80	A1272001519 Bend + switch housing	220095	N/A	82	-20°C	207825	N/A
82	head: shape non original to MB127-130, M14x1,5 th	907125	N/A	82	A0015459224 Temperature switch, late, orig	207125	N/A
83	Fitting, engine to water distributor M127, 129, 1	220091	€ 31,19	84	A1272030280 Seal ring,thermo timeswitch	220090	N/A
89	Support rod, early reservoir 230SL	250039	€ 38,38	90	A0012036175 Thermostat,inj.,230SL	207119	N/A
92	Sealing ring	207149	€ 0,88	93	Water pipe, throttle housing to inj-thermostate	220051	€ 119,61
93	Bracket, pipe bundle and eng.hangup	220074	€ 26,60	94	Housing only, 230SL inj. thermostate	207156	€ 199,54
118	sealing ring, aluminium 30mm	215032	€ 0,81	118	Seal ring, copper , id 30	220118	€ 1,05
145	Hollow screw,early M16X1,5	220012	€ 6,69	120033	sealing ring copper 32	120033	€ 1,31

50.b Cooling System 250SL

50.b Cooling System 250SL

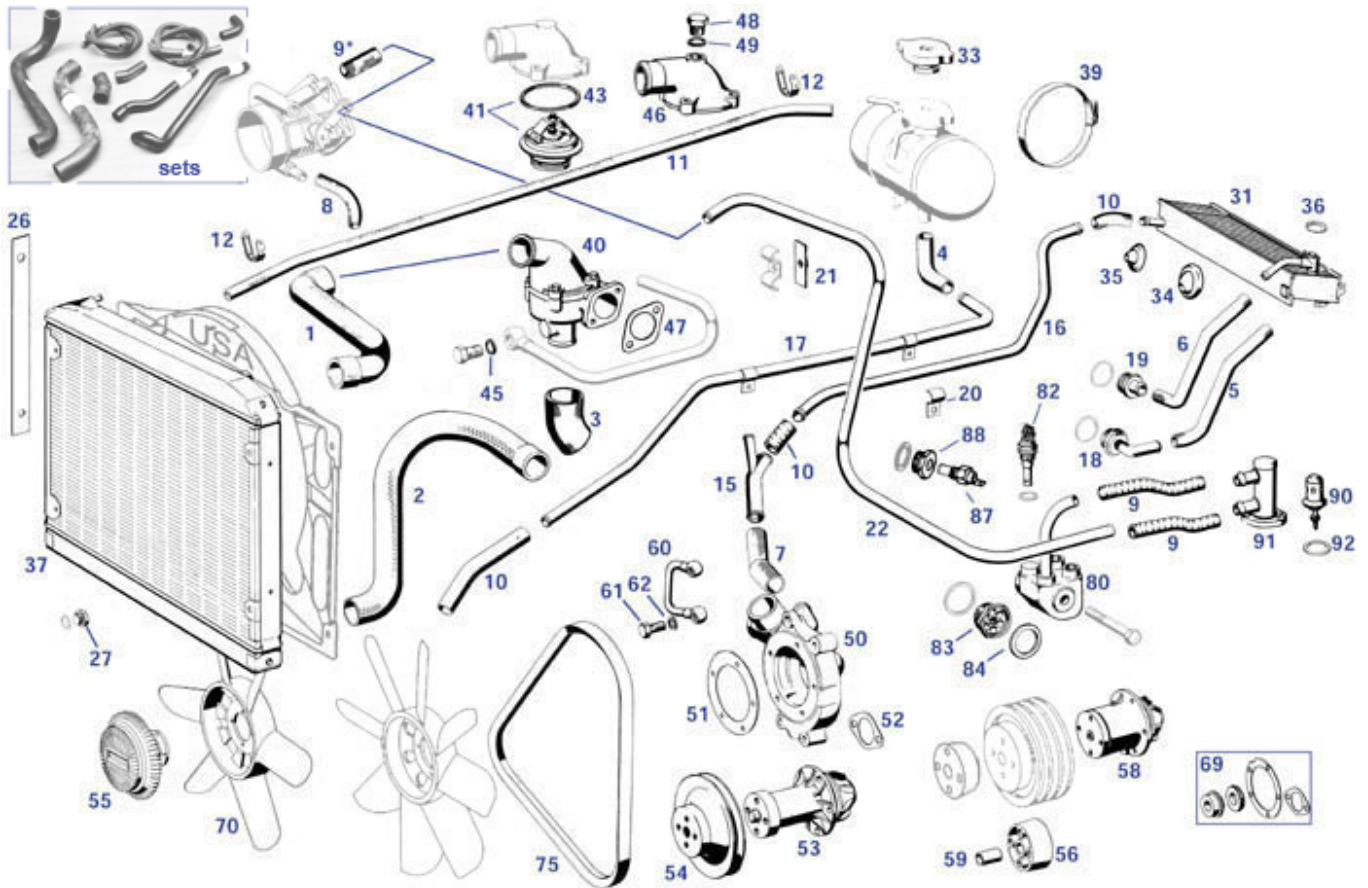


	Radiator, new 250 SL - LHD, ALU-REPRO	250110	€ 670,89	1	Hose clamp 46-54mm	750346	€ 1,08
1	Hose,radiator,top	250012	€ 6,25	2	Hose, radiator, lower, 250/280SL	250015	€ 9,85
3	Hose,waterpump/thermostat	250004	€ 1,80	3	Hoseclamp 30 to 45mm	250046	€ 1,25
4	Water hose heater return, diam. reduce	250028	€ 3,87	4	CL hose, bent w. reducer, e.g.returnlin	250808	€ 6,38
6	1m Water hose I/D 22mm	250107	N/A	7	Elbow, comp. tank to radiator	250018	€ 4,22
9	see 250823	250023	N/A	9	1m cooling water hose 12/19mm	250823	€ 7,14
10	Water hose, i/D 18mm per metre	250019	€ 19,10	11	Water hose, 8/15mm per metre	250016	€ 24,50
12	Hose strap, replaces hose clamp	250099	€ 0,55	14	Return pipe, version see photo	283085	€ 84,35
15	Pipe, comp. tank to radiator	250003	€ 176,19	16	Clamp, rad.water return pipe	250898	€ 1,19
16	Clamp, rad.water return pipe	250098	€ 2,86	17	Bracket clamp, warmup air pipe, waterp.	220087	€ 2,84
18	N/A ! Pipe,t'stat to cold start	220071	€ 44,03	19	del-t: Distance sleeve	299954	N/A
21	A1292000040 Bracket, water pipes	220079	N/A	22	A1302000119	220119	N/A
22	Elbow, hot water head to heater	220819	€ 115,05	23	Elbow,block/heater,early FN	201006	€ 42,84
24	T-connector, water to oil-cooler	220082	€ 67,89	25	A1272030802 Line,water	220083	N/A
26	A1135020030 Rubber strip on radiator	250050	N/A	27	see 207115 Copper shim	799309	€ 1,06
30	A0001884401 Oil ht./ex. 230SLFN, 250SL	218230	N/A	31	A1138350001 Heater heat exchanger	283018	N/A
31	We would be happy to advice you Heater radiator o	283818	€ 638,90	33	+110+111 up to 1967	150017	€ 29,75
34	Rubber grommet, inlet	299003	€ 3,55	35	Rubber grommet, return	299004	€ 0,50
36	Sealing ring, heater valve	283022	€ 2,31	37	Pages + cover + floor parts must be overhauled	250200	€ 959,00
37	Radiator, new 250 SL - LHD	250010	€ 998,99	37	Pages + cover + floor parts must be overhauled	250201	€ 959,00
39	Clamp e.g. Water reservoir late	999996	€ 4,64	40	thermostate lowe housing	220833	€ 105,91
40	A1302000115 thermostat, high cap	220099	N/A	41	Thermostat cartridge/gkt. 79°	220008	€ 19,58

41	Thermostat cartridge/gkt. 83°	220009	€ 16,66	43	Seal ring	220016	€ 1,31
45	Seal ring 16x20, copper, e.g. hollow bolts	220013	€ 0,17	46	Hex bolt w. slot M6, thermostate housin	220018	€ 0,71
46	Cap, thermostat housing, latest design (w.extra-ho	220834	€ 46,99	46	A1272030974 see 220834	220015	N/A
46	Bolt M6, yellow zined, thermo.housing	220017	€ 0,29	47	Gasket, thermostate	120011	€ 1,32
48	Drain plug screw M14 x 1,5 (rad. / eng,...)	250027	€ 2,70	49	Seal ring 14mm Alu	207186	€ 1,08
50	see 220804	220004	N/A	50	Housing, water pump M108-M130	220804	€ 83,30
51	Screw M6 e.g. Bonnet hinges	299289	€ 0,38	51	Gasket, water pump	220006	€ 4,28
52	Gasket, housing to engine	220014	€ 1,25	53	short style (ca. 61mm), Brand FEBI	220003	€ 65,27
53	short style (ca. 61mm), Brand Behr-Hella	220803	€ 87,35	53	short style (ca. 61mm), Brand Saleri	220903	€ 88,71
53	Water pump 90mm, most 280 (113 108 107)	220025	€ 38,52	55	Visco fan coupling, M129,130E,110, FEBI	220530	€ 147,25
55	Visco fan coupling, M129,130E,110, DASIS	220630	€ 85,50	55	bolt M8 / hex 10, pump->fan (veh w.distancer) L40	220046	€ 7,14
55	Visco fan coupling, M129,130E,110, Meyle	220030	€ 93,19	55	Bolt M8 x 15 hex 10, fan pulley to water pump	220049	€ 5,97
56	A1082050026 Spacer,engine fan	220041	N/A	59	A1082050050 Guide bushing	220045	N/A
60	Pipe,water air venting	220005	€ 29,93	61	Hollow screw, air venting	220010	€ 2,48
62	Sealing ring ID8, eg. for hollow screw	220011	€ 0,10	69	A1102002901 Gasket set, water pump	520019	N/A
70	A1082051006 Fan	220000	N/A	71	V belt 10 x 925 eg. 250SL LHD series	299107	€ 3,69
71	V belt 10 X 913	799115	€ 6,10	71	A0099977792	799134	N/A
80	A1272001519 Bend + switch housing	220095	N/A	82	-20°C	207825	N/A
82	A0015459224 Temperature switch, late, orig	207125	N/A	82	head: shape non original to MB127-130, M14x1,5 th	907125	N/A
83	Fitting, engine to water distributor M127, 129, 1	220091	€ 31,19	84	A1272030280 Seal ring,thermo timeswitch	220090	N/A
90	Thermostat,inj.,'67->, incl. steel seal	207121	€ 185,46	91	Housing,Thermo,inj.,250-280SL	207122	€ 210,94
92	Ring, seat, fits thermostate 207121	207151	€ 35,99	93	Bracket, pipe bundle and eng.hangup	220074	€ 26,60
93	Water pipe, throttle housing to inj-thermostate	220051	€ 119,61	145	Hollow screw,early M16X1,5	220012	€ 6,69
120033	sealing ring copper 32	120033	€ 1,31	220098	Bolt, M8x80, 8.8, i.e. Water junction at head	220098	€ 0,57
220118	Seal ring, copper , id 30	220118	€ 1,05	220118	sealing ring, aluminium 30mm	215032	€ 0,81

50.c Cooling System 280SL

50.c Cooling System 280SL



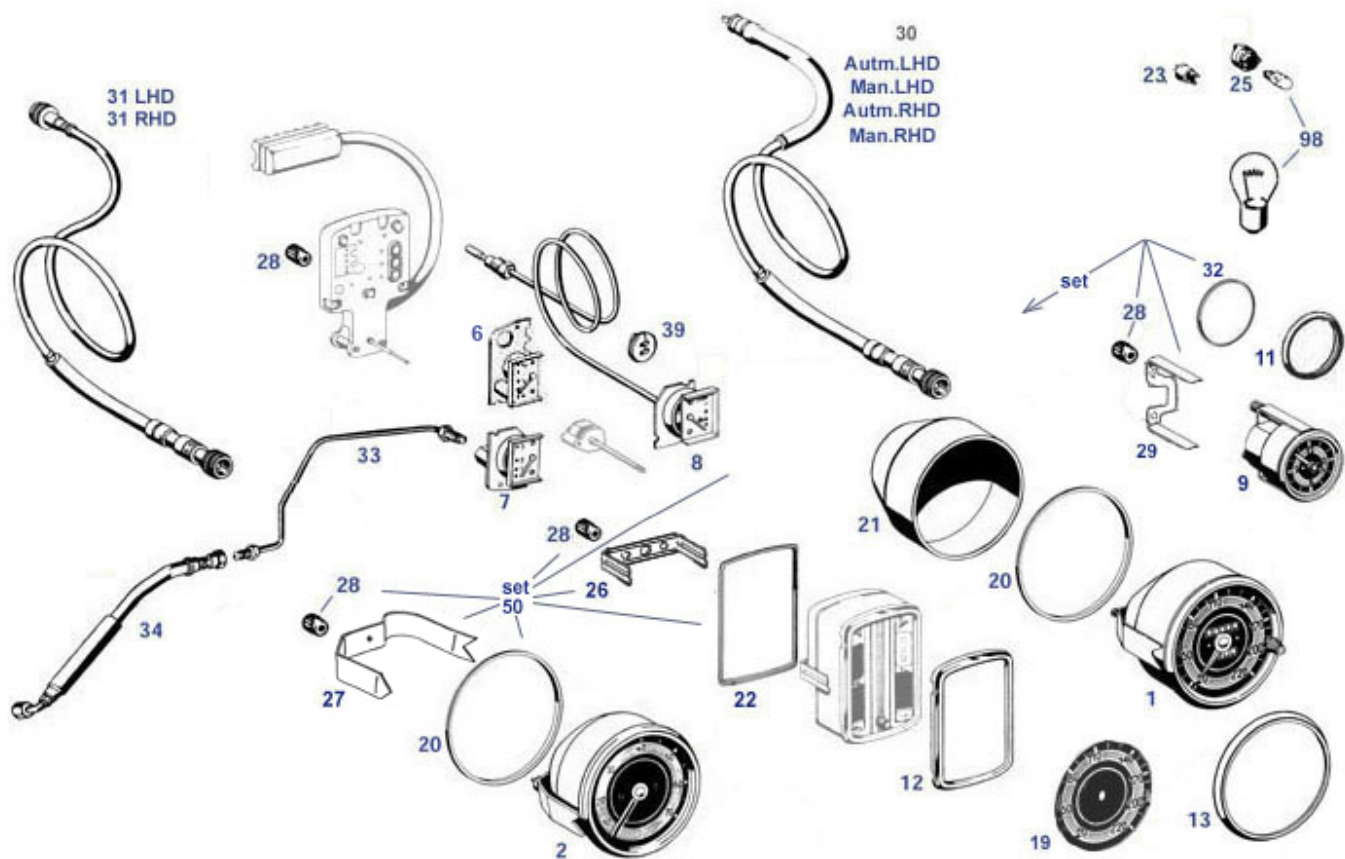
	Temperature switch 100° e.g. A/C fan, FEBI	207963	€ 8,50		Mounting clamp, fan shroud if used	250219	€ 58,88
	Solenoid,fuel injection	207112	N/A		A1302030202	220132	N/A
	A1302030002	220130	N/A		Pipe,coldstart/inj.pumpFNlt		
	Pipe,coldstart/inj.pumpFNer				A1142000384 pipe, see 250830	250030	N/A
1	Hose,radiator,top	250012	€ 6,25	1	Hose clamp 46-54mm	750346	€ 1,08
2	Hose, radiator, lower, 250/280SL	250015	€ 9,85	3	Hose,waterpump/thermostat	250004	€ 1,80
3	Hoseclamp 30 to 45mm	250046	€ 1,25	4	Elbow, comp. tank to radiator	250018	€ 4,22
5	CL hose, heater, 1x / 2x	250825	€ 20,23	6	CL hose, heater (feed), from 3'70	250822	€ 20,23
7	Heater return hose, S-shape w.reducer	250806	€ 13,01	7	Water hose .044 htr ret-pipe to pump FN	250809	€ 6,57
7	Hose clamp 20-32mm, worm thread style	750042	€ 1,09	7	Water hose heater return, diam. reduce	250028	€ 3,87
8	Hose,dist./cold start sys./Fluid reserv	250021	€ 0,69	9	1m cooling water hose 12/19mm	250823	€ 7,14
9	see 250823	250023	N/A	10	Water hose, i/D 18mm per metre	250019	€ 19,10
10	CL hose, bent, no reducer, heater retur	250829	€ 26,03	11	Water hose, 8/15mm per metre	250016	€ 24,50
12	Hose strap, replaces hose clamp	250099	€ 0,55	15	Junction pipe "Y-shape", water, e.g.130.983 from M	250830	€ 95,20
16	Pipe, return, heater, see picture	283086	€ 71,82	16	Return pipe, version see photo	283085	€ 84,35
17	Pipe, comp. tank to radiator	250003	€ 176,19	18	A1302000119	220119	N/A
18	Elbow, hot water head to heater	220819	€ 115,05	19	Elbow,block/heater,early FN zB. M130E spät: 280SL -10-004620	220122	€ 45,08
19	zB. M130E spät: 280SL -10-005302	220120	€ 45,08	-> 1			
20	Clamp, rad.water return pipe	250098	€ 2,86	20	Clamp, rad.water return pipe	250898	€ 1,19
21	A1292000040 Bracket, water pipes	220079	N/A	21	Bracket, pipe bundle and eng.hangup	220074	€ 26,60
22	Pipe,coldstart/inj.pump late M130	220832	€ 32,13	22	Pipe,coldstart/inj.pump early M130	220830	€ 31,54
26	A1135020030 Rubber strip on radiator	250050	N/A	25	A0001406053 Throttle flap w.housg. 280S	214011	N/A
27	Drain plug screw M14 x 1,5 (rad. /	250027	€ 2,70	27	Copper seal ring	207115	€ 0,18
				31	We would be happy to advice you	283818	€ 638,90

33	eng,...) +110+111 up to 1967	150017	€ 29,75	34	Heater radiator o		
35	Rubber grommet, return	299004	€ 0,50	36	Rubber grommet, inlet	299003	€ 3,55
37	Radiator 280SL Automatic (LHD)	250005	€	37	Sealing ring, heater valve	283022	€ 2,31
			1.050,00		Oil cooler, 280SL FN, Alu Repro	250811	€ 303,45
37	Pages + cover + floor parts must be overhauled	250201	€ 959,00	37	Oil cooler, 280SL FN, Alu Repro	250011	€ 214,99
39	Clamp e.g. Water reservoir late	999996	€ 4,64	40	thermostate lowe housing	220833	€ 105,91
40	A1302000215 Cooling thermostat complete	220088	N/A	41	Thermostat cartridge/gkt. 83°	220009	€ 16,66
41	Thermostat cartridge/gkt. 79°	220008	€ 19,58	43	Seal ring	220016	€ 1,31
45	Seal ring 16x20, copper, e.g. hollow bolts	220013	€ 0,17	46	A1272030974 see 220834	220015	N/A
46	Cap, thermostat housing, latest design (w.extra-ho	220834	€ 46,99	46	Hex bolt w. slot M6, thermostate housin	220018	€ 0,71
46	Bolt M6, yellow zined, thermo.housing	220017	€ 0,29	47	Gasket, thermostate	120011	€ 1,32
49	Seal ring 14mm Alu	207186	€ 1,08	50	Housing, water pump M108-M130	220804	€ 83,30
50	see 220804	220004	N/A	51	Gasket, water pump	220006	€ 4,28
51	Screw M6 e.g. Bonnet hinges	299289	€ 0,38	52	Gasket, housing /engine M130	220007	€ 0,81
53	Water pump 280SL/SE, 107: M110, 90mm	220825	€ 83,60	53	Water pump 90mm, most 280 (113 108 107)	220025	€ 38,52
54	A1212050510 Pulley, waterpump M130, no	220022	N/A	54	N910143008005	220048	N/A
55	bolt M8 / hex 10, pump->fan (veh w.distancer) L40	220046	€ 7,14	55	Visco fan coupling, M129,130E,110, DASIS	220630	€ 85,50
55	Visco fan coupling, M129,130E,110, FEBI	220530	€ 147,25	55	Visco fan coupling, M129,130E,110, Meyle	220030	€ 93,19
56	A1212020214 Hub, water pump	220040	N/A	57	A1292050410 Pulley, A/C cars (3-belt)	220026	N/A
58	short style (ca. 61mm), Brand Saleri	220903	€ 88,71	58	short style (ca. 61mm), Brand Behr-Hella	220803	€ 87,35
58	short style (ca. 61mm), Brand FEBI	220003	€ 65,27	59	A1082050050 Guide bushing	220045	N/A
60	Pipe,water air venting	220005	€ 29,93	61	Hollow screw, air venting	220010	€ 2,48
62	Sealing ring ID8, eg. for hollow screw	220011	€ 0,10	69	A1102002901 Gasket set, water pump	520019	N/A
70	A1082051006 Fan	220000	N/A	72	A1082050206 Fan M130 US+AC, 8 blades	220028	N/A
75	V' belt, 10 x 935	299109	€ 7,79	75	V' belt, 10 x 800	299110	€ 8,98
75	V belt 10 X 900	299105	€ 6,19	75	V belt 13 X 1060	299101	€ 7,25
80	A1272001519 Bend + switch housing	220095	N/A	82	head: shape non original to MB127-130, M14x1,5 th	907125	N/A
82	A0015459224 Temperature switch, late, orig	207125	N/A	82	-20°C	207825	N/A
83	Fitting, engine to water distributor M127, 129, 1	220091	€ 31,19	84	A1272030280 Seal ring,thermo timeswitch	220090	N/A
87	A0035452124 Switch.cylinder head 280SL	207133	N/A	88	A6159970472 Threaded bushing, temp indicator	201154	N/A
90	Thermostat,inj.,'67->, incl. steel seal	207121	€ 185,46	91	Housing,Thermo,inj.,250-280SL	207122	€ 210,94
92	Ring, seat, fits thermostate 207121	207151	€ 35,99	145	Hollow screw,early M16X1,5	220012	€ 6,69
120033	Seal ring, copper , id 30	220118	€ 1,05	120033	sealing ring copper 32	120033	€ 1,31
220098	Bolt, M8x80, 8.8, i.e. Water junction at head	220098	€ 0,57	220118	sealing ring, aluminium 30mm	215032	€ 0,81

54 Electrical Equipment at Body

54.a Instruments

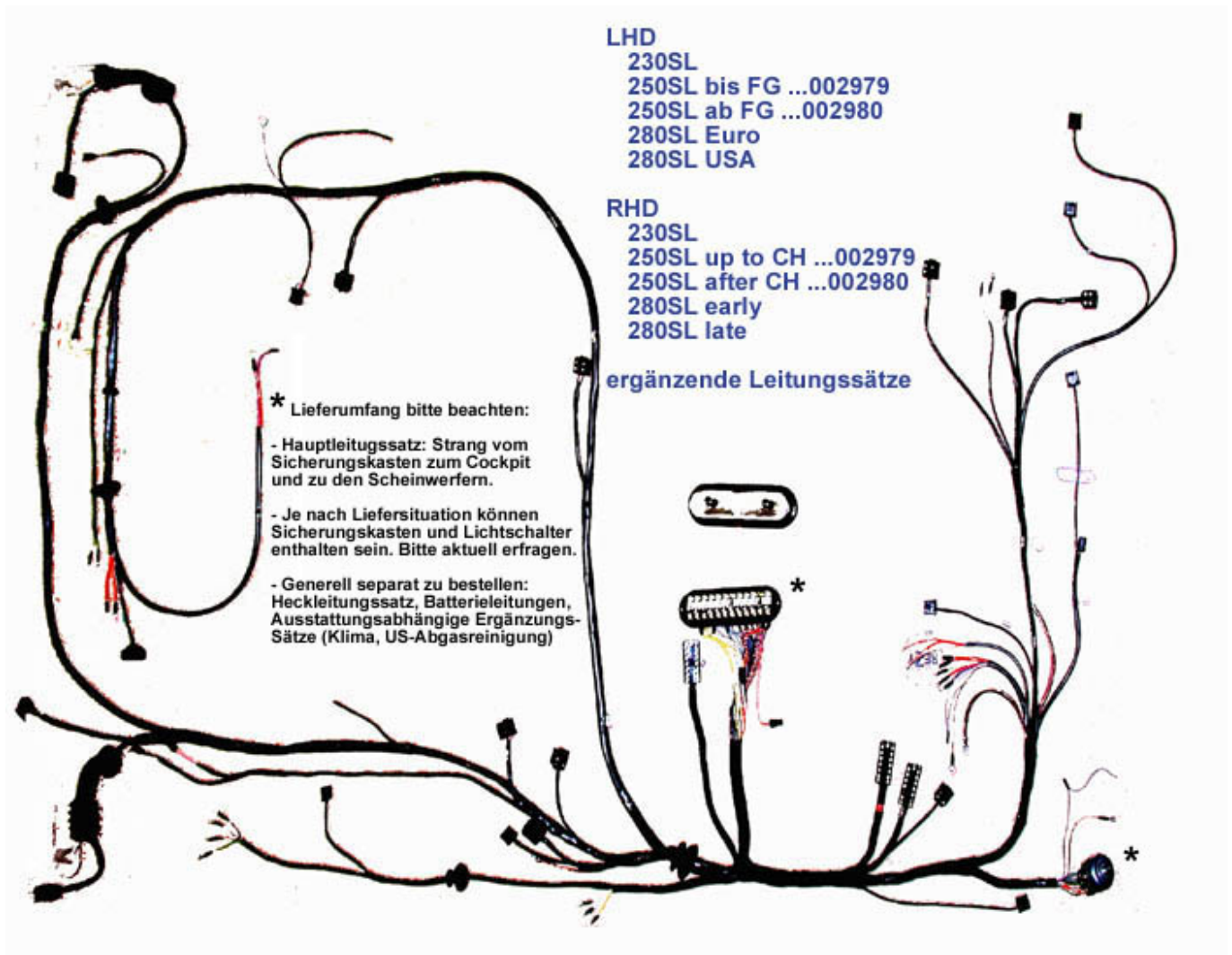
54.a Instruments



	Gasket for speedometer shafts with groove. Only su	254118	€ 10,89	--> see 254195 or 154083	254199	N/A
	A1135420607 Speedo flex shaft,RHD,man.	254120	N/A	A1135420507 Speedo flex shaft,manual,or	254102	N/A
	Speedo flex shaft,manual	254100	€ 38,35	A1135421007 Speedo flex shaft,RHD,auto.	254091	N/A
	Speedo flex shaft,auto	254090	€ 42,26	Speedo cable LHD	254790	€ 63,13
	Gasket for speedometer shafts with groove. Only su	254119	€ 10,71	Autm.,Repro,simplified	254690	€ 85,00
	Knurled chrome nut, glove box switch	254109	€ 14,55	1 We would be happy to advice you Speedo overhaul m	254955	N/A
1	We would be happy to advice you speedometer W113/	298950	N/A	1 We would be happy to advice you Speedo, basic ove	254950	N/A
1	We would be happy to advice you Speedo overhaul m	298955	N/A	1 A0045425506 Speedo,km/h 250-280SL FN	254050	N/A
1	We would be happy to advice you Speedo overhaul u	254952	N/A	2 We would be happy to advice you Rev. Counter, bas	254960	N/A
2	We would be happy to advice you tachometer W113/W	298960	N/A	2 A0005425916 Rev. Counter, new	254032	N/A
2	We would be happy to advice you Rev. Counter, new	254962	N/A	6		

54.b Main wiring harness

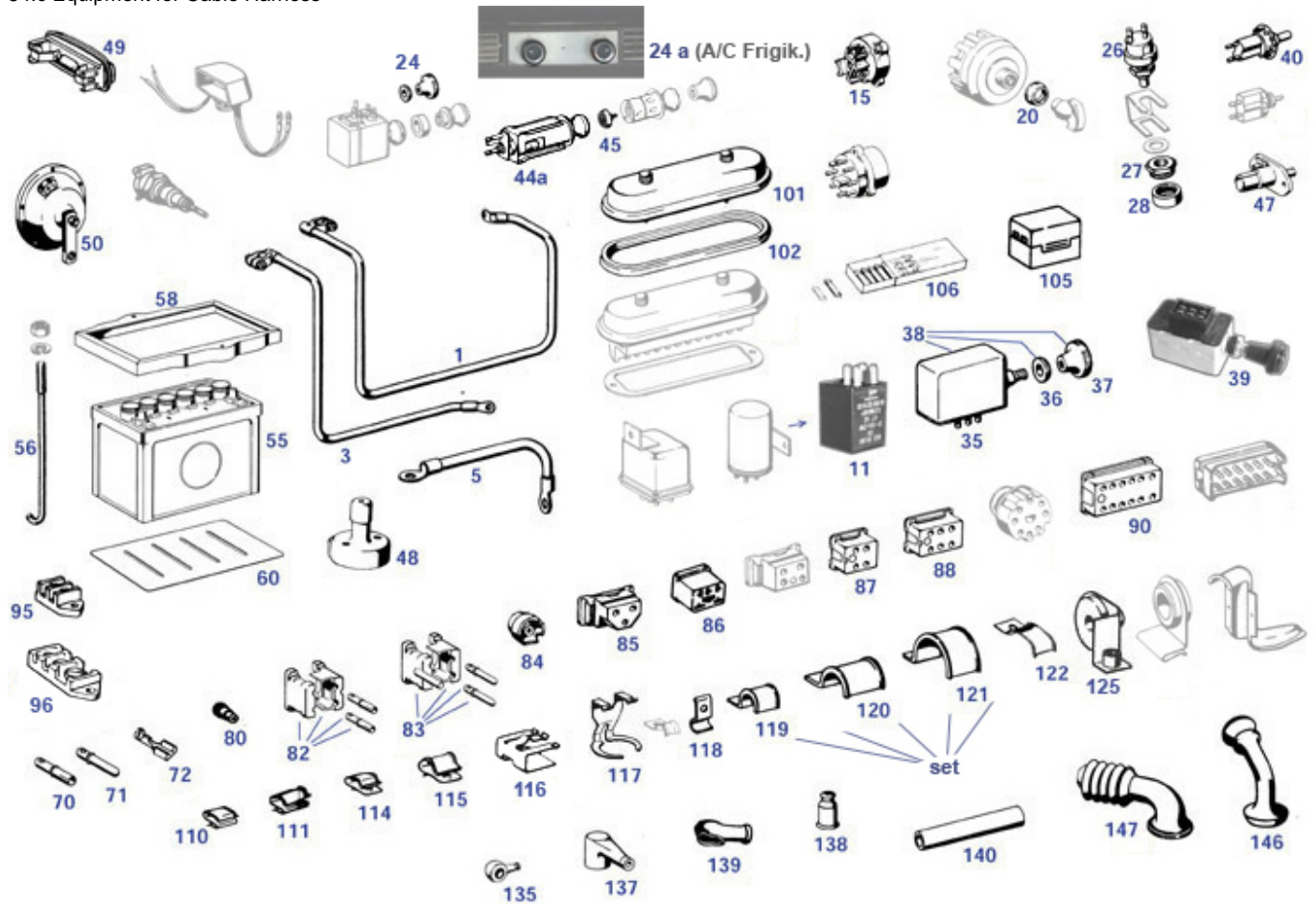
54.b Main wiring harness



	Adater wire fits new pump to old loom	286540	€ 32,00		Rear wire harness 280SL USA	254145	€ 484,98
	Wiring, starter to terminal at oil pan	254167	€ 116,85		ground strapß 400mm	354245	€ 60,99
	Wire, "Hirschmann"antennaa, 1xnut-end,500	999975	€ 40,66		Wire, "Hirschmann"antenna, 1xnut-end,150c	999974	€ 22,96
	Wiring, rr fog light	254292	€ 151,73		A1135401209 Wire set transistor ignitio	254291	€ 160,00
	Wireset US-spec to gearlinkage, late	254161	€ 458,99		Wireset US-spec to autom.box	254160	€ 429,00
	Rear wire harness 230SL late, (.042 from 012467)	254142	€ 425,00		Rear wire harness 230SL early	254041	€ 419,00
	Rear wire harness 250-280SL	254042	€ 429,99	230	A1135400405	254036	N/A
230	Harness, LHD, 230SL, manual FN	254136	€ 2.199,00	230	Harness,LHD,230SL, manual F	254037	€ 2.199,00
230	Harness,RHD,230SL, manualFN	254134	€ 2.299,50	230	Harness,LHD 230SL, auto FN	254135	€ 2.299,50
250	Harness,LHD,250SL, auto FN	254038	€ 2.299,00	250	Harness,LHD,euro, man. FN	254039	€ 2.199,00
250	Harness,LHD, auto. FN	254040	€ 2.199,00	250	Harness,RHD,250SL, man.FNer.	254138	€ 2.299,50
250	Harness,RHD,250SL, autoFNer.	254139	€ 2.299,50	250	Harness,LHD,250SL, man.FNer.	254137	€ 2.199,00
250	Harness,RHD, auto.FN	254143	€ 2.299,50	250	Harness,RHD, manualFN	254141	€ 2.299,50
280	Harness,LHD,280SL,USA,man.,FN	254151	€ 2.199,00	280	Harness,RHD,280SL,auto,FNIt	254144	€ 2.299,50
280	Harness,LHD,280SL,USA,auto,FN	254140	€ 2.199,00	280	Harness,RHD,280SL,man,FNIt	254152	€ 2.299,50

54.c Equipment for Cable Harness

54.c Equipment for Cable Harness



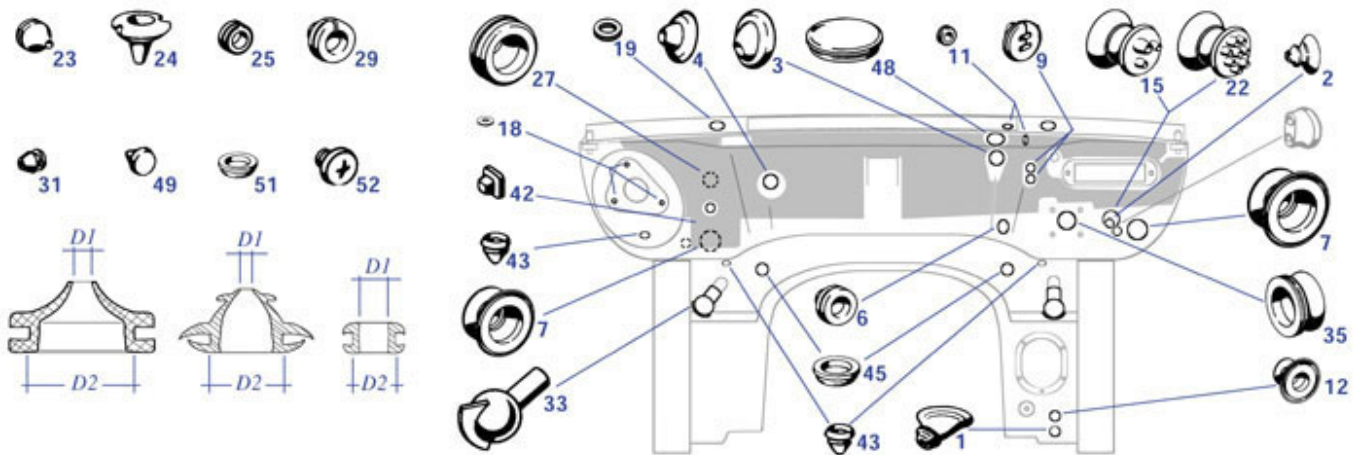
	Socket housing, alternator	754877	€ 12,30		A0005463335	254951	N/A
	Ign coil Bosch 6-Cyl 108-113.. late	254611	€ 80,55		ground strap 400mm	354245	€ 60,99
	ground strap 40cm, eyes 8 + 6mm, w.prot hose	354246	€ 39,50		Terminal, 12 bushings	254062	N/A
	Regulator external, ca '65-'74, HELLA, China	254721	€ 29,85		see 282821 or 282031	282021	N/A
	Cover, for wire terminal @ autom-housing	254009	€ 33,24		A0005450180 A0005450180	254054	N/A
	A0035452626 Solder bushing 4mm, connect	854055	€ 0,58		Gasket, fuse box	254109	€ 14,55
	8-pole housing (plastic base & cap), no metal bush	254181	€ 8,69		Knurled chrome nut, glove box switch	254180	€ 8,45
	regulator, copy of old design	254521	€ 41,92		6-pole housing (plastic base & cap), no metal bush	182001	€ 67,29
	Marelli ignition coil MB 6-Cylinder	254411	€ 31,59		Turn signal transmitter (metal), Bosch	254883	€ 8,09
	2-pole housing (plastic base & cap), no metal bush	254182	€ 7,97	1	4-pole housing (plastic base & cap), no metal bush	254044	€ 104,90
1	Starter wire 230SL, short (148cm)	254244	€ 97,50	1	Starter wire, long (157cm)	554010	€ 0,62
3	Battery earth strap (-)	254245	€ 86,45	5	battery terminal screw M8 X28	254049	€ 85,68
5	Ground wire, crossmember->engine bolts M10	254249	€ 59,99	10	Ground strap, engine to body, M12 banjo	982345	€ 62,00
10	A0005426819 Relay, windscreen wiper	282410	N/A	11	12V / 25A Bistable/FlipFlop, 56-S, 56-56a/56b	582070	€ 42,95
11	Housing, fits up to 5 crimp-shoes	554070	€ 0,71	11	universal flasher relay 12V 4x21W Bosch, flat pole	254860	N/A
11	crimp connector	997992	€ 0,43	11	A0008211063	254760	€ 42,39
11	Flasher relay, see pict, pin position changed	254060	€ 39,91	11	Turn signal transmitter NLA: Turn signal transmitter (metal), Lucas	182701	N/A

15	several petrol vehicles (no Diesel), fits banjo st	246090	€ 98,92	16	A1164620093 Switch.ignition ca 67-80	246091	€ 79,99
18	A0005452004 Switch, lighting, rot. no k	254028	N/A	18	Shim 4,3x8	799939	€ 0,19
18	teethed washer 4,3mm	999037	€ 0,13	19	A1105451137 Knob, plastic, light switch	254035	N/A
20	Nut, chrome, light switch	254043	€ 12,79	23	Switch, heater blower 4-Pin=3-Pole reproduction	282024	€ 334,99
24	Knob small, heater blower switch, see picture	382826	€ 61,90	24	Knob,small,heater blower switch, see picture	382825	€ 61,90
24	A1108201592 Knob, heater blower switch	282026	€ 59,99	24	Knob A/C Temp, blue dot	382028	€ 41,80
24	Knob large, heater blower switch, Repro w.chrome n	282726	€ 61,90	24	Knob, heater blower switch, Repro, optical shortco	282826	€ 68,29
24	Knob, A/C-vent, green dot	382027	€ 52,30	26	requires new style el.coupling	254019	€ 21,00
26	brake light swich, 4-pole, see illustration	954019	€ 75,51	27	Nut, stop light switch	254053	N/A
28	plastic ring, pedal stop @ brake switch	254107	€ 26,18	30	113: Handschuhkasten, 107: Feststellbremse (254101	€ 402,03
33	A1138200052 reading light, glovebox	282028	N/A	35	Emergency flasher 1969->, no knob incl.	282034	N/A
36	Escutcheon, emerg. flasher switch	282035	€ 10,28	37	A1158201792 Knob, emerg. flasher unit	282036	N/A
39	switch, stroke timer,6 flat poles, fits 982035	982034	€ 157,15	39	Upgr. hazzard flasher Hella with wiring	982834	€ 183,25
39	n/a: switch, see 982034 instead	982036	N/A	39	pigtail harness fits emergency switch 982034	982035	€ 49,03
40	Switch, flat connectors	282031	€ 10,21	40	Con.housing, 2 pole flat	254103	€ 0,54
40	Adater wire fits new pump to old loom	286540	€ 32,00	40	Door switch round pin connectors	282721	€ 60,75
44	complete Cigar lighter (up to 1967)	282047	€ 205,99	44	Cigar lighter complete '67->	282048	€ 265,00
45	Spiral element, fits genuine cigar lighter	154049	€ 18,49	46	Knob, Design 1968, M5, fits Cigar lighters M5	254843	€ 45,99
46	Knob, cigar lighter	282023	N/A	47	Trunk(boot) light and switch '59-'85	282022	€ 40,58
47	pan head tapping screw zinc plated 3,9 X 13	188889	€ 0,25	48	see 454012, foot operated switch	254012	N/A
48	foot operted switch	454012	€ 32,68	49	Interior light, simplified	282020	€ 11,90
50	Screw, M4X6 Phillips, e.g switch	799546	€ 0,24	50	Horn (375Hz) , Bosch	254013	N/A
50	Horn (500Hz), Bosch	254014	N/A	50	Rest ! 1 pair retro horns, chrome, imported	454013	€ 39,27
55	available?filledaccu,nomailorder	254148	N/A	55	1 litre accu acid, no shipping	954048	N/A
55	Battery 12V/70Ah dry uncharged	254048	N/A	56	Spring washer, fits M6	181028	€ 0,18
56	Clamp bolt, battery	254025	€ 7,97	56	Hex nut M6, yellow zinc.	181023	€ 0,18
58	battery hold down, R113, Repro	254826	€ 65,45	58	Batteryframe, upper, repro, paint unfinished	254026	€ 64,31
58	A1135400023 Batteryframe,upper,orig.	254926	N/A	60	battery tray floor	254010	€ 14,07
70	Sold on sleeve 4mm	254055	€ 2,69	70	contact bushing 4mm brass, silver plated	254855	€ 1,40
71	metal pin f. el. connectors	754054	€ 0,77	72	A0005464240 Cable connector with eye 6m	254086	N/A
72	A0005467940 Wire Connector, flat	754186	N/A	72	Wire Connector, 90°, 9,5mm wide, e.g. generators	754187	€ 2,38
80	A0085452028 Cable connector, 1 pole,und	254078	N/A	80	A0005454728 Cable connector, 1 pole	254056	N/A
82	Cable con.housg. 2-pole eg brake res.	254058	N/A	83	part of housg, el. conn.	954945	€ 2,20
83	N/A ! 2-pole-connector (m), hsg w.pos-nose	754157	N/A	83	Set 2-pole-connector (m), narrow style	754158	€ 10,92
83	part of housg. 2-pole male connector	254087	€ 5,12	84	Housing for Bilux/H4 connector	182042	€ 4,74
84	Con., 3 pole flat,head lamp	254082	N/A	84	H4 Connector housg w.3x flag crimps	282041	€ 5,83
85	Plug hsng,Regulator, 3xflat	254080	€ 7,28	85	A0045459228 3-pole connector generator	254077	N/A
85	flat crimp shoe, with nose, female, ... 2,5mm²	754055	€ 0,65	86	A0015458728 housing, see 254103	254083	N/A
87	A0145458528, 4-pole housing, replaced MB-design	254079	N/A	87	A0005453228 Cable con.,4 pole,230SL	254059	N/A
88	as long as stock lasts! el. connector (fem) 6-pol	254984	€ 27,67	89	A0045452628 El. connector, round, 8-pol	254081	N/A

90	Terminal, 12 bushings, hole distance 9mm	254862	€ 41,00	90	Terminal, 12 bushings, hole distance 8mm	254262	€ 41,00
91	Terminal, 12 bushings	254362	N/A	91	contact pin 4mm brass silver plated	754956	€ 0,54
91	A0005453728 Con. 12 pole, c.inst./dir i	246052	N/A	91	A0095455428 El. Connector	246057	N/A
91	A0008210325 Plug, heating control	282170	N/A	95	authentic Repro similar Kostal Bakelite 20490	154052	€ 44,85
95	A0005467041 el.clamp, see154052	254063	N/A	96	A0005466541 Terminal block, 3 pole	254064	€ 29,99
97	Plug socket 12V/16A, universal, non-MB, non-Boschl	554867	€ 8,83	97	Plug socket 12V/16A, Bosch, universal	554067	N/A
97	A0005451525 Socket, engine compartment	254070	€ 42,84	100	Fuse box without cap, 110,...	354024	€ 539,93
100	Fuse box without cap, 108 (for 2 short fuses)	854024	€ 577,21	100	Fuse box without cap, 113 (for 2 short fuses)	254024	€ 539,93
101	Cover, fuse box 108-113 div..., as genuine	254965	€ 87,96	101	Cover, fuse box 108-113 div..., Repro	254065	€ 67,83
102	Seal, fuse box cover	254854	€ 11,71	104	spring washer mech. zinc plated B4	799926	€ 0,12
104	Phillips screw, semicircular head, M4 x 10	990107	€ 0,18	104	Underlay, fuse box @ firewall	254853	€ 10,20
105	Fuse box, additional,2 fuses, cap with screw	254099	€ 9,71	106	25Amp fuse, short version, NOS	258991	€ 5,69
106	A1005800010 Spare fuses, packet	258090	N/A	110	Spring clip for Rt.+Lt. cable	254071	€ 0,83
111	Clip, cable	254073	€ 1,09	114	clip, e.g. wire fixture 190SL, R113, R/C107	254874	€ 1,50
115	Clip, similar 0009883478, hoses, wires	254075	€ 1,00	116	Clip for wire harness	254072	€ 7,97
117	Rest: Clamp at connector "kickdown-switch"	254172	€ 63,19	118	Clamp, e.g. oil-pipe, wires	199025	€ 4,59
119	Clamp, e.g. wiring, inner width 15mm	254069	€ 5,65	120	Clamp,pipe,under body,rear	247053	€ 7,69
120	clamp, ca. 25mm, wires	199023	€ 7,74	121	Clamp, wiring near A-pillar (inn-wdth 3	254168	€ 7,54
122	Clamp, bulkhead	242058	€ 2,76	126	Rubber grommet 11/30, blue silicon rubber	299517	€ 1,59
126	A0005460937 Grommet, starter cable	254088	N/A	127	Covering, wire in trunk	269154	N/A
135	Rubber dust boot (at Gen. .)	254051	€ 3,25	135	Grommet for Fuel Pump Wiring	299018	€ 2,53
137	Rubber Boot on to Thermoswitch	254125	€ 9,39	138	Prot.sleeve ign.leads -> distributor	215815	€ 2,73
139	Cap, starter terminal	154056	€ 5,71	139	Rubber Boot on Starter Motor and Alternator	254126	€ 7,16
139	Rubber cap, starter wire, small	754026	€ 6,14	140	A0009970781 Cap, ptr., horn cable	298785	N/A
140	A0005460830 Prot. sleeve, starter cable	254089	N/A	141	A0019974190 strap	254179	N/A
141	wire strap with rivet plug, short (120mm)	554087	€ 1,26	141	wire strap with rivet plug, 160mm	854087	€ 1,29
146	Tube,prt.,head lamp cable,r.h.	254046	€ 24,29	147	Tube,prt.,head lamp cable,l.h.	254047	€ 24,29

54.d Rubber Grommets

54.d Rubber Grommets



Needed grommet not found ?
Pls. send sample / picture / measures of D1/D2

Die gesuchte Gummitülle ist nicht dabei ?
Schicken Sie uns Muster / Bild / Abmessungen D1/D2

Set Firewall Plugs
Satz Stirnwandtüllen



This table contains normal equipped LHD-firewall. Perhaps you may find a required item more easily here:

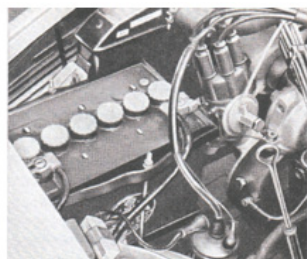
[Other MB categories](#)

In that catalogue you may find other helpful groups, such as car body screws and rubber hoses, assorted by dimension.

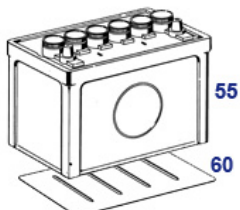
	rubber grommet set, boot / trunk	299850	N/A		Rubber grommet 11/30, blue silicon rubber	299517	€ 1,59
	Rubbergrommet, defrost tube	183109	€ 16,30		Beiblatt Gummitüllen "Positionierhinw"	299238	N/A
1	Grommet 6/26, 45°, e.g. hydr-line clutc	299001	€ 2,68	1	Grommet, 6/27mm,45° hydr.line clutch	298787	€ 2,82
2	Rubbergrommet at firewall	299002	€ 3,05	2	Rubber plug instead clutchline	298786	€ 0,73
3	Rubber grommet, inlet	299003	€ 3,55	4	Rubber grommet, return	299004	€ 0,50
6	Grommet,acc. Pedal,bulkhead	299006	€ 4,19	7	Grommet,cable,bulkhead 17/40	299007	€ 3,05
9	Rbr grommet ../24,2 hole, revcables, oil/temp-pipe	299009	€ 3,61	11	Rbr grommet,7/10,113 washpipe,121 boot	299011	€ 1,08
12	Grommet, 5/25,bulkhead	299012	€ 2,09	15	Rubber grommet 3 way, bonnet cable	298778	€ 3,55
15	Grommet, rubber, 2 piece ../25mm	399011	€ 3,61	18	Rubber ring, wiper motor	282407	€ 0,77
19	Rubber ring, repl., w/s wiper shaft	282247	€ 1,59	22	Grommet,multiple holes, /35	298789	€ 3,05
23	Rubber grommet 5/10 heating	298875	€ 0,40	23	Rubber grommet 3/18, 121,113,107 and other	199010	€ 1,67
24	Grommet 4/20mm, 1 hole, drain	399009	€ 1,71	25	Rubbergrommet 7/15mm, air duct, hornwir	199009	€ 2,31
25	Grommet,14/18, bulkhead, generator wire	298784	€ 2,59	25	Rubber grommet 10/15, taillight bucket 190SL, 107	199020	€ 1,08
27	Rubber grommet	299005	€ 2,59	27	Rubber grommet 11/30, bulkh(190),107,..	299017	€ 1,59
29	Grommet 6/26	299819	€ 3,15	33	Ball Grommet for Bulkhead Drainage Pipes	283032	€ 25,75
35	Boot,bulkhead,brake push rod, 113 LHD	229018	€ 13,01	42	Rubbergrommet, firewall, square	299026	€ 3,32
43	Rubber plug 10mm, see pict	298781	€ 1,12	43	Rbr plug 10mm	798781	€ 1,17
45	Rubber plug, 20mm	298780	€ 0,94	48	Closing disc	298045	€ 6,68
49	Rubber buffer 5mm,121,113,10	298066	€ 0,89	49	see 298688	298788	€ 0,40
51	Rbr plug 17,5mm	398995	€ 1,17	51	Plug, 32mm, e.g. boot, ..Repro	268309	€ 0,70
51	Floor/Body Panel Plug - 26mm	298782	€ 1,30	51	plug, plastic, closes 9.5mm holes	298688	€ 0,42

54.i Info Battery Dimensions

54.i Info Battery Dimensions



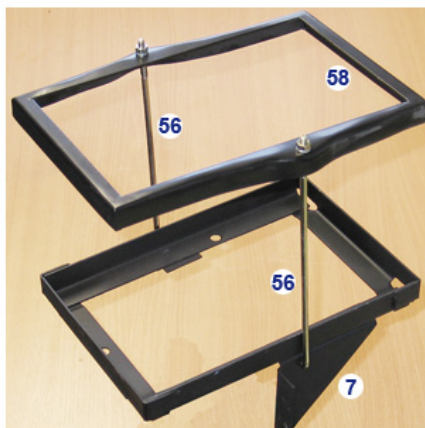
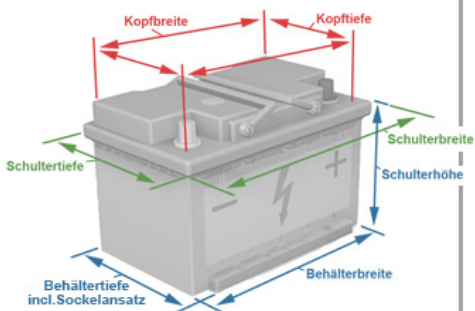
Bis spät in die 1980er Jahre war gute Zugänglichkeit für Wartung gefragt



populäre Bauform der 1990er / 2000er Jahre, Oberrahmen montierbar



Einbaubeispiel „Pagode“



aktuelle Bauformen, Klemmsockel nur unten



Oldtimerbatterie mit freiliegenden Plattenverbindern, ohne Schulterrand

Abweichende Bauarten = mögl. Montageprobleme: kein Halterand, Polklemmen berühren Rahmen (58)

Bei R113 sind die Maße wichtiger, als die Kapazität, da der Einbauraum äußerst begrenzt ist. Liefersituation bitte stets erfragen !

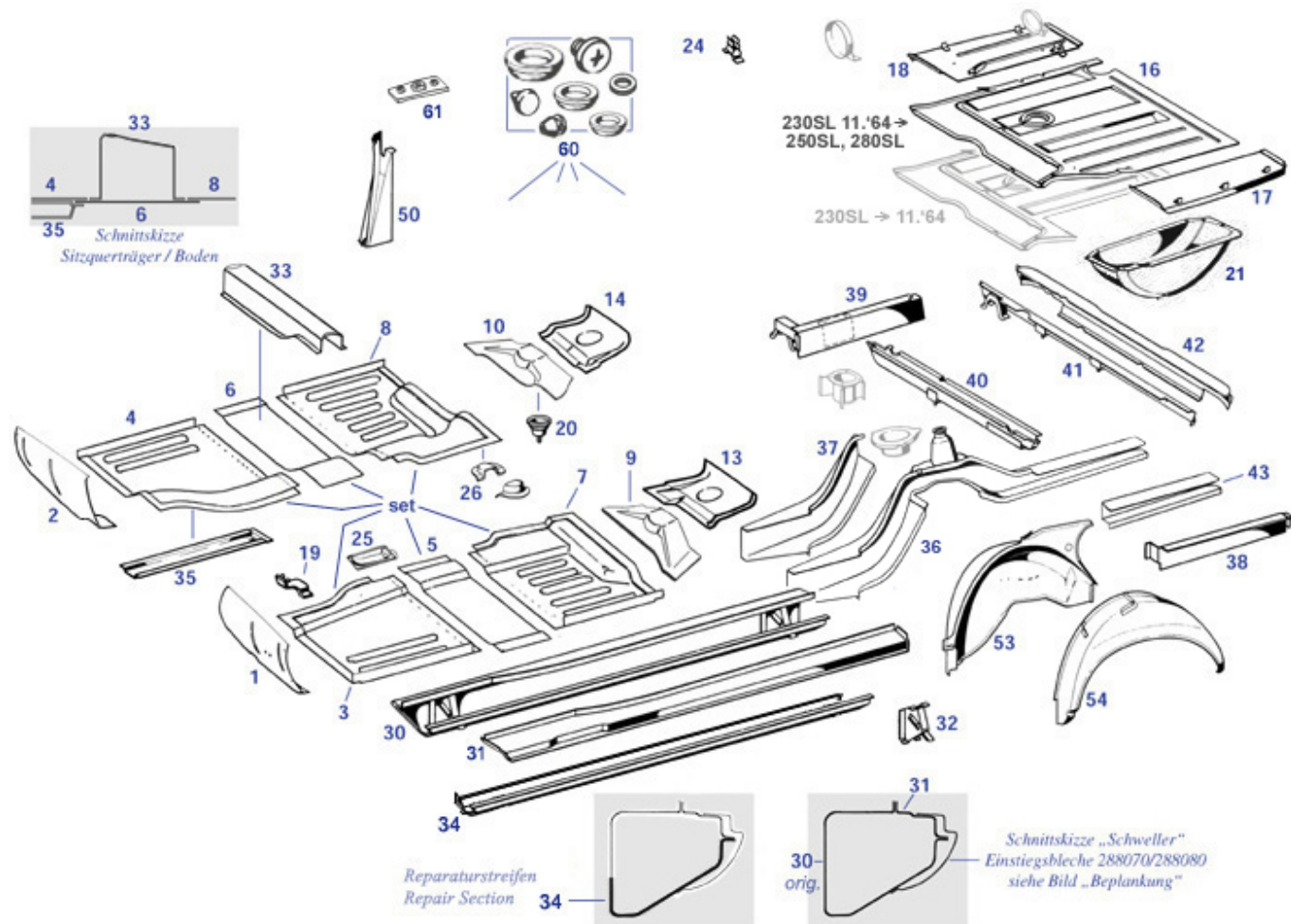
gemessen an lieferbaren Rahmenteilen:
Kopfbreite max. 248mm
Kopftiefe max. 152mm
Schulterbreite max. 270mm
Schultertiefe max. 170mm
Schulterhöhe max. 205mm
Behälterbreite max. 264mm
Behältertiefe max. 174mm

	battery terminal screw M8 X28	554010	€ 0,62	7	Battery frame, R113 lower	262050	€ 68,76
55	Battery 12V/70Ah dry uncharged	254048	N/A	55	1 litre accu acid, no shipping	954048	N/A
56	Clamp bolt, battery	254025	€ 7,97	56	Hex nut M6, yellow zinc.	181023	€ 0,18
56	Spring washer, fits M6	181028	€ 0,18	56	nut M6 w. flange, zinc plated	799913	€ 0,37
58	Batteryframe, upper, repro, paint unfinished	254026	€ 64,31	58	battery hold down, R113, Repro	254826	€ 65,45

62 Body, Frame & Panelling

61 Floor Panels 230SL 250SL 280SL

61 Floor Panels 230SL 250SL 280SL



MB original spare parts / numbers were not provided for the floor parts of the passenger compartment.

Parts 1, 2, 9, 10, 13, 14, 34 and 37 are repair parts with adjustment needs.

The spare wheel well accounted for approx. 11.1964, the tank enlargement followed from 01.1965. Affected are pump environment and cross member.

The frame and body parts of the SLS assortment come from various reproductions. The surfaces vary accordingly between uncoated, galvanized, simplified primer and powder coating. The latter, previously chemically degraded, can be used as a buildable layer.

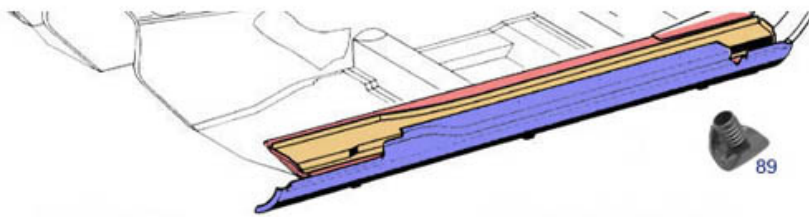
	lower plate, tunnel closure + gearbox carrier, Rep	268603	N/A	Rail dome section, rear RH	261108	N/A	
	Crossmember w.tank supp., 250/280SL	261811	€ 274,20	Rail dome section, rear LH	261098	N/A	
1	Repairpanel, footwell, left	201010	€ 65,13	2	Repairpanel, footwell, right	201020	€ 81,46
3	Floor, front, left, W113 230 - 280 SL	201030	€ 140,00	4	Floor, front, right, 230 - 280 SL	201040	€ 140,00
4	NLA: Floor panel frt RH, uncoated	201840	N/A	5	Floor, intermediate, left, R113	201050	€ 40,42
5	Rest: Floor section ctr LH, uncoated	201850	€ 11,90	6	Rest: Floor section ctr RH, uncoated	201860	€ 11,90
6	Floor, intermediate, right, R113	201060	€ 40,42	7	N/A ! Floor panel rr LH, uncoated	201870	N/A
7	Floor, rear, left	201070	€ 148,75	7	sellout: Floor panel rear left B-quality	201071	€ 48,69
8	Floor, rear, right, R113 230 - 280 SL	201080	€ 148,75	8	NLA: Floor panel rr RH, uncoated	201880	N/A
9	repair panel pushrod recording left	201090	€ 153,05	9	Repairpanel, rear Left with axle strut mount	201091	€ 207,98
10	repair panel pushrods recording rear right	201100	€ 153,05	10	Repairpanel, rear right with axle strut mount	201101	€ 207,98
13	Repair panel, over axle left, needs work for fitti	201110	€ 112,35	14	Repair panel, over axle rear right 230 - 280 SL	201120	€ 112,35
16	surface powder coated	261800	€ 138,08	16	round cover above fuel	247814	€ 5,20

16	Cover above fuel sender, plastic,black	347014	€ 7,79	17	sender,Repro		
					Trunk floor, left side	261070	€ 93,89
17	Grommet 4/20mm, 1 hole, drain	399009	€ 1,71	18	Trunk floor, Rt., no jack foot pot	261080	€ 112,79
18	Trunk floor, Rt., with jack footpot	261880	€ 344,51	19	A1138900010 cop, trunk, for jack storage	264053	N/A
19	adaptable to RHD with some work	261140	€ 41,00	20	Rr axle strut mount support @ floor	235010	€ 66,25
21	Spare tire well 230SL "early"	261895	€ 636,14	24	Lug wrench holder	164041	€ 15,33
25	weld-in-patch, near tunnel/floor pan frt LH	201035	€ 86,08	26	1 bracket at floor panel, for the mid exhaust rubb	261049	€ 26,25
30	Rail R113, LHD-RH, Repro	261721	€ 418,76	30	Main frame inner rail R113, LH	261011	€ 524,87
30	Main frame inner rail R113, RH	261021	€ 524,87	30	A1136100409 Frame side rail R113, Rt,RH	261029	N/A
30	Rail R113, LH, Repro	261711	€ 410,55	31	Rail section w. simplifications, see illustration	261740	€ 66,76
31	Rail section w. simplifications, see illustration	261730	€ 66,76	31	Upper rail section LH, Repro	261830	€ 86,63
31	Upper rail section RH, Repro	261840	€ 86,63	32	Bracket,jack LHD 4x, RHD 3x	261015	€ 108,64
32	Cap, jack hole 230-280SL	289008	€ 13,74	33	Crossmember,under seat,rt.	261340	€ 285,99
33	Crossmember,under seat,lt.	261430	€ 212,89	33	Crossmember,under seat, right	261440	€ 212,89
33	Crossmember,under seat,lt.	261330	€ 285,99	34	Frame rail, lower rep section, RH	261022	€ 136,20
34	Frame rail, lower rep-section, LH	261012	€ 136,20	35	Reinforcement under floors	262300	€ 81,50
36	Outrigger, rear, Lt.	261090	€ 796,71	36	Outrigger, rear, Rt.	261100	€ 796,71
37	Frame rail rep.section rr.LH	261095	€ 353,00	37	Frame rail rep.section rr.RH	261105	€ 353,00
38	Outer wall rr rail LH trunk	261750	€ 26,70	39	bracket at rear rail, for rr muffler frt rubbers	261848	€ 65,45
39	Sect.of rr rail incl Exh-brack, Repro	261860	N/A	39	Sect.of rr rail incl Exh-brack, Repro	261760	€ 145,66
40	A1136100616 Cross member up to '65	261110	N/A	40	cross member w.tank support 250-280SL	261911	€ 172,55
41	tail panel, all shells ready assembled	264710	€ 1.522,00	41	frt shell of rear cross member, w.tank supports	261720	€ 136,85
41	Frt shell, rr cross member	261820	€ 294,68	42	cross member shell rr/rr	261738	€ 172,55
42	cross member shell rr/rr	261130	€ 93,72	43	Outrigger, repro., rear lt.	261097	€ 136,99
43	Outrigger, repro., rear rt.	261107	€ 136,99	50	A1136400210 'B' Pillar Rt.	264020	N/A
50	A1136400110 'B' Pillar Lt.	264010	N/A	53	Wheel arch rr inner, LT, Repro	264830	€ 416,50
53	Wheel arch rr inner, RT, Repro	264840	€ 416,50	54	Partial content, no full section: extension sheet	264061	€ 275,00
54	Partial content, no full section: extension sheet	264051	€ 275,00	54	Outer wheelarch LH, dim. "width" better than 26405	264851	€ 327,25
54	Outer wheelarch RH, dim. "width" better than 26406	264861	€ 327,25	58	Cross member,top shell,rear above axle	261814	N/A
61	thread plate for belts	299985	€ 16,11	62	bracket, pressure regulator 113 rr.axle from '68	261054	€ 64,20

61.a Info frame rail parts

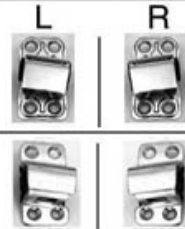
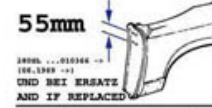
61.a Info frame rail parts

Info zu Karosseriearbeiten am Schweller
Info about outer rail repairs



Infos zu Karosseriearbeiten ab der B-Säule
Info about bodyworks @ B-pillar

Info about bodyworks @ B-pillar

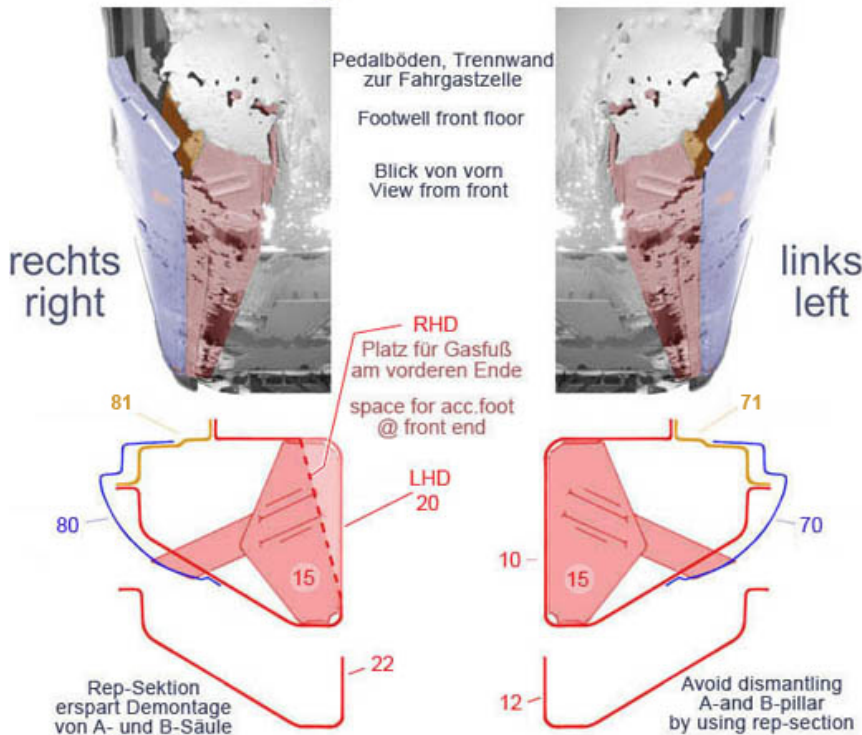


Anpassung der Schließung vor den Lackierarbeiten

Test door catch mount before paint job



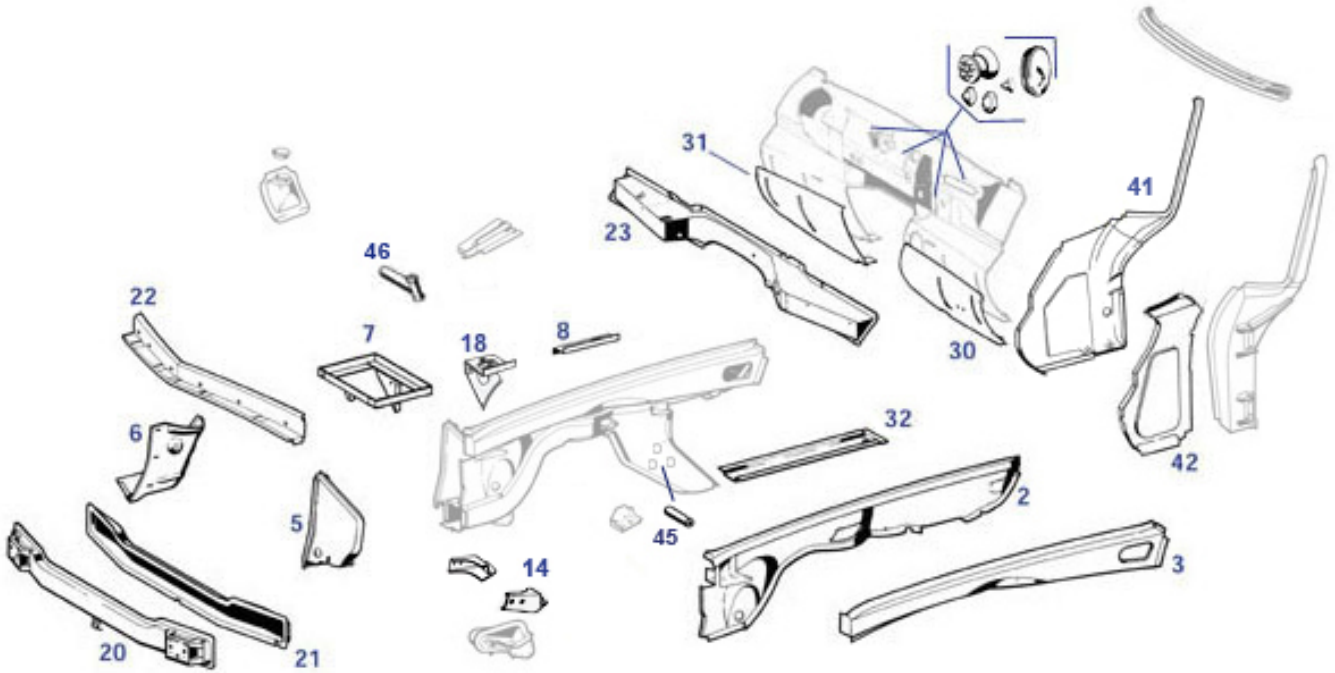
Rechtzeitige Planung für Gurt-Nachrüstung
Early planning of seatbelt installation



	Rocker panel RH	288180	€ 166,60	A1136101231	261025	N/A
	Rocker panel LH	288170	€ 166,60	A1136100409 Frame side rail R113, Rt,RH	261029	N/A
10	Main frame inner rail R113, LH	261011	€ 524,87	10 Rail R113, LH, Repro	261711	€ 410,55
12	Frame rail, lower rep-section, LH	261012	€ 136,20	15 Bracket,jack LHD 4x, RHD 3x	261015	€ 108,64
20	Rail R113, LHD-RH, Repro	261721	€ 418,76	20 Main frame inner rail R113, RH	261021	€ 524,87
22	Frame rail, lower rep section, RH	261022	€ 136,20	70 Threshold panel R113, '65-'71 LH	288070	€ 208,67
71	A1136110320 Top of frame side rail, Lt.	261030	N/A	71 Rail section w. simplifications, see illustration	261730	€ 66,76
80	Threshold panel R113, '65-'71 RH	288080	€ 208,67	81 A1136110420 Top of frame side rail, Rt.	261040	N/A
81	Rail section w. simplifications, see illustration	261740	€ 66,76	89 Cap, jack hole 230-280SL	289008	€ 13,74

62 Body, front

62 Body, front

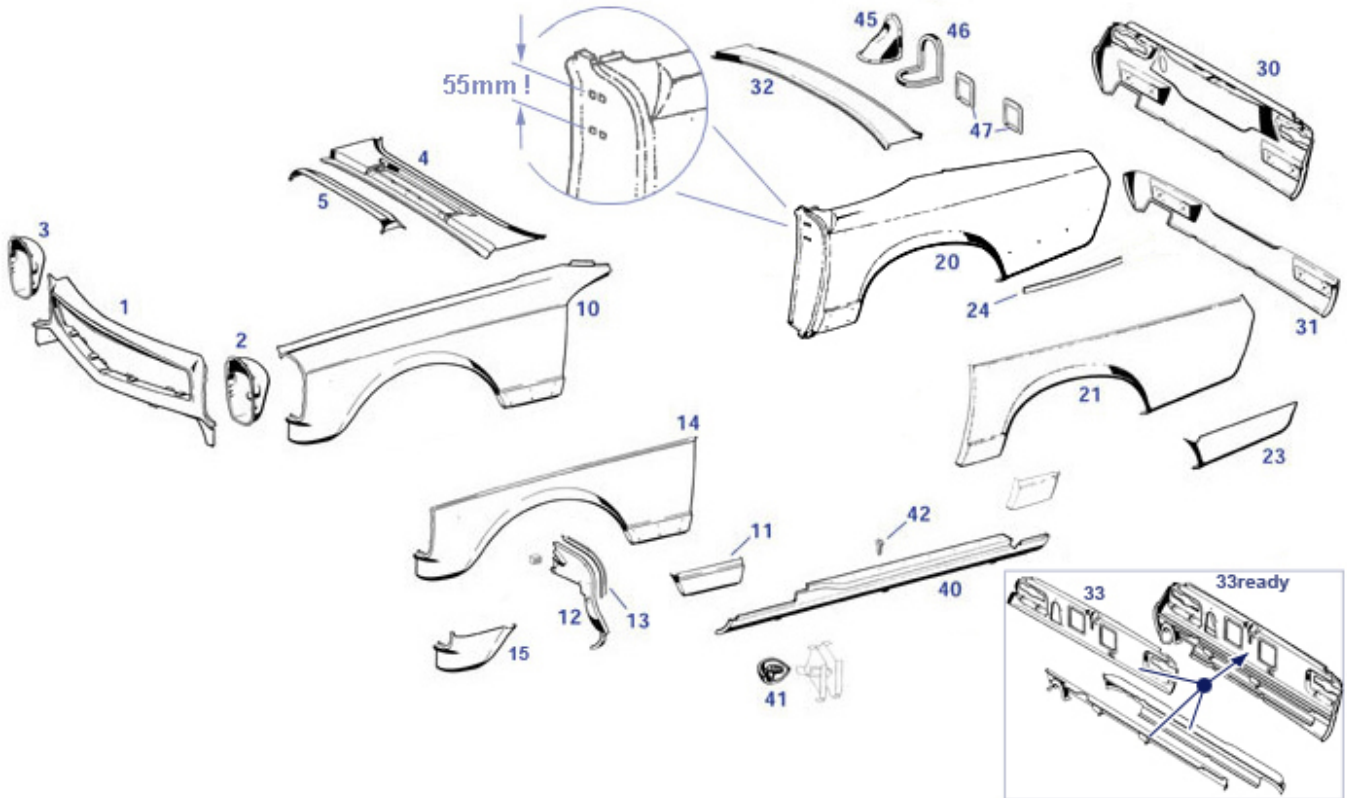


	Connecting panel R113, Rt.	262220	€ 136,85		Cardbox for large spareparts, 170x60x80cm	967993	€ 25,82
	see 262020 / 262720	262820	N/A	1	A1136200861 Outrigger + support, Lt.	262080	N/A
1	A1136200961 Outrigger + supp., Rt.,250-	262090	N/A	1	A1136200461 Outrigger + supp., Rt.,230S	262085	N/A
2	Front inner wheel arch RH 230-280SL, Repro	262140	€ 332,30	2	Front inner wheel arch LH 230-280SL, Repro	262130	€ 332,30
3	wheel arch strut RH	262625	€ 154,69	3	wheel arch strut LH	262615	€ 154,69
3	wheel arch strut RH	262825	€ 108,90	3	wheel arch strut LH	262815	€ 108,90
4	A1136201031 Bracket, shock absorber, Rt	262260	N/A	4	A1136200931 Bracket, shock absorber, Lt	262250	N/A
5	Baffle plate, 230-280SL, Lt	262070	€ 220,99	5	Baffle plate, 230-280SL, Lt	262670	€ 136,90
6	Casing plate, 230SL, Rt.	262065	€ 203,91	6	Baffle plate 250-280SL right	262960	€ 220,99
7	Battery frame, R113 lower	262050	€ 68,76	8	A1136262814 Bracket, relays	262133	N/A
9	A1116261514 Bracket, brake hose, Lt.	262135	N/A	9	A1116261614 Bracket, brake hose, Rt.	262136	N/A
11	A1136200531 Pedestal, subframe, Lt.	262310	N/A	11	A1136200631 Pedestal, subframe, Rt.	262320	N/A
12	A1136110127 Bearing block, cross-beam,	261055	N/A	13	Plate, shocker bracket,upper, ref.-No. A1803260267	232040	€ 16,60
14	pair of supports L+R, signal horn mounts	262314	€ 220,30	18	Support f.hood belt and spring strut	262132	€ 33,20
20	Cross member frt shell Repro 1,9kg/1,2mm	262720	€ 142,80	20	Cross member frt shell OE 2,1kg/1,3mm	262020	€ 229,99
21	Cross member set Repro	262900	€ 167,67	21	Cross member rr shell OE 1,5kg/1,25mm	262030	€ 150,00
21	Cross member rr shell Repro 1,4kg/1,2mm	262830	€ 63,19	22	Stiffening, inner frt nose panel, Repro	262840	€ 130,00
22	Support, inner nose panel R113	262040	€ 91,04	23	w.shortcomings: crossmember @ firewall	262278	€ 609,99
23	Cross member, bulkhead, made in EU, welded	262270	€ 590,60	23	Rep-section cross member LH	262275	€ 585,60
23	Rep-section cross member RH	262276	€ 249,90	30	Repairpanel, footwell, left	201010	€ 65,13
31	Repairpanel, footwell, right	201020	€ 81,46	32	Reinforcement under floors	262300	€ 81,50

40	A' pillar R113, outer Lt.	262230	N/A	40	A1136200213 'A' pillar R113, outer Rt.	262240	N/A
41	'A' pillar R113, inner right	262200	€ 259,00	41	'A' pillar R113, inner left	262190	€ 259,00
42	Connecting panel R113, Lt.	262218	€ 109,96	42	Connecting panel R113, Rt.	262228	€ 109,96
45	steel tube, steering gear mount @ frame	262131	€ 14,22	46	A1114600038 Spigot with bush	246065	N/A

64 Panelling

64 Panelling

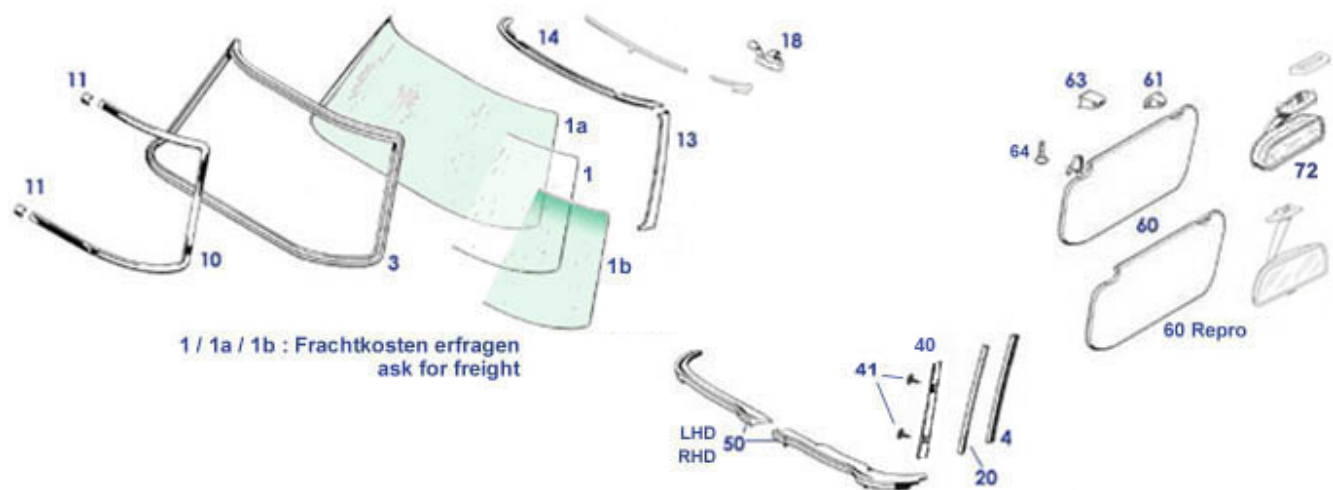


	Rocker panel LH	288170	€ 166,60		Nose panel 230-280SL Reproduction	262710	€ 819,90
	Rocker panel RH	288180	€ 166,60		A1136470101 Panel, R113 rear end, outer	264100	N/A
	W/S glasstransp. incl. box(Germany)	967999	€ 121,25		Wing(fender),rear left	264771	N/A
	Wing(fender),rear left	264781	N/A	1	Nose panel 230-280SL Reproduction	262810	€ 760,28
2	Lamp housing LH	262850	€ 61,23	2	threaded bushing, lamp housing repair	262855	€ 2,50
2	Rubber buffer 5mm,121,113,10	298066	€ 0,89	2	Tube,prt.,head lamp cable,l.h.	254047	€ 24,29
3	Lamp housing RH	262860	€ 61,23	3	Tube,prt.,head lamp cable,r.h.	254046	€ 24,29
4	Panel upper centre, front	262875	€ 302,33	5	Screw	799931	€ 0,24
5	hood above air duct grille, Repro doesn't meet gen	283820	€ 175,77	5	A1138300076 see Repro: 283820	283120	N/A
5	Screw for chrome strips	269164	€ 0,13	5	Washer, entry trim strip,fr.	268132	€ 0,18
5	Screw 3,5 x 9,5, see picture	288081	€ 0,32	10	Urgent: pls.read detailed webshop-info.	262770	€ 998,41
10	Cardbox for large spareparts, 170x60x80cm	967993	€ 25,82	10	Wing/Fender R113 front right Repro	262880	€ 982,93
10	Wing/Fender R113 front left Repro	262870	€ 982,93	10	Urgent: pls.read detailed webshop-info.	262780	€ 998,41
11	Patch panel, front wing Rt.	262181	€ 116,87	11	Patch panel, front wing Lt.	262171	€ 116,87
12	tapping hex.head screw 6,3 X 19	288559	€ 0,60	12	see 288660	288860	N/A
12	see 288650	288850	N/A	12	Splash guard 230-280SL, Rt.	288660	€ 58,31
12	Splash guard 230-280SL, Lt.	288650	€ 58,31	12	Panelling screw 5,5 x 16 (hex head 8mm)	288059	€ 0,60

12	Set Inner Aluminum Wings R113	288054	€ 243,95	14	"Repair panel"3/4-wing"front, lt."	262173	€ 428,38
14	"Repair panel"3/4-wing"front, rt."	262183	€ 428,38	15	Patch panel LT lower frt wing section	262172	€ 108,16
15	Patch panel RT frt lower wing section	262182	€ 108,16	20	Wing(fender) 230-280 SL, rear right late	264881	€ 963,90
20	Wing (fender) rear left	264871	€ 963,90	20	Wing(fender),rear RH early (3 bolt latch)	264880	€ 854,06
20	Wing(fender), rear LH early (3-bolt latch)	264870	€ 854,06	21	Patch panel 75% wing raer Rt.	264083	€ 299,20
21	Patch panel 75% wing rear Lt.	264073	€ 299,20	23	Patch panel wing rear lower Lt.	264071	€ 103,95
23	Patch panel wing rear lower Rt.	264081	€ 99,86	24	Multi-Purpose Adhesive Insulation Seal	298001	€ 10,95
30	tail panel, outer, 230SL-280SL 113	264700	€ 399,99	31	Repr. panel, R113 rear end lower	264105	€ 262,40
32	ctre upper panel, except.Califor.	264810	€ 244,97	33	A1136400371 Panel, R113 rear end, inner	264090	N/A
33	inner panel, rear	264790	€ 577,27	33	tail panel, all shells ready assembled	264710	€ 1.522,00
33	N/A ! A1136400371 inner panel, rear	264890	N/A	40	Threshold panel R113, '65-'71 RH	288080	€ 208,67
40	Threshold panel R113, '65-'71 LH	288070	€ 208,67	41	Cap, jack hole 230-280SL	289008	€ 13,74
45	Tapping screw Phillips 4,2x9,5	799936	€ 0,15	45	Cover plate, filler neck	269020	€ 31,77
46	16 m sealing compound strip 3mm black	699996	€ 10,59	46	Edge protection profile mtr, eg trunk	269010	€ 3,80
47	cover, rear panel, inner	269033	€ 48,52	61	Frt shell, rr cross member	261820	€ 294,68
61	frt shell of rear cross member, w.tank supports	261720	€ 136,85	62	cross member shell rr/rr	261130	€ 93,72

67 Windscreen 230SL 250SL 280SL

67 Windscreen 230SL 250SL 280SL

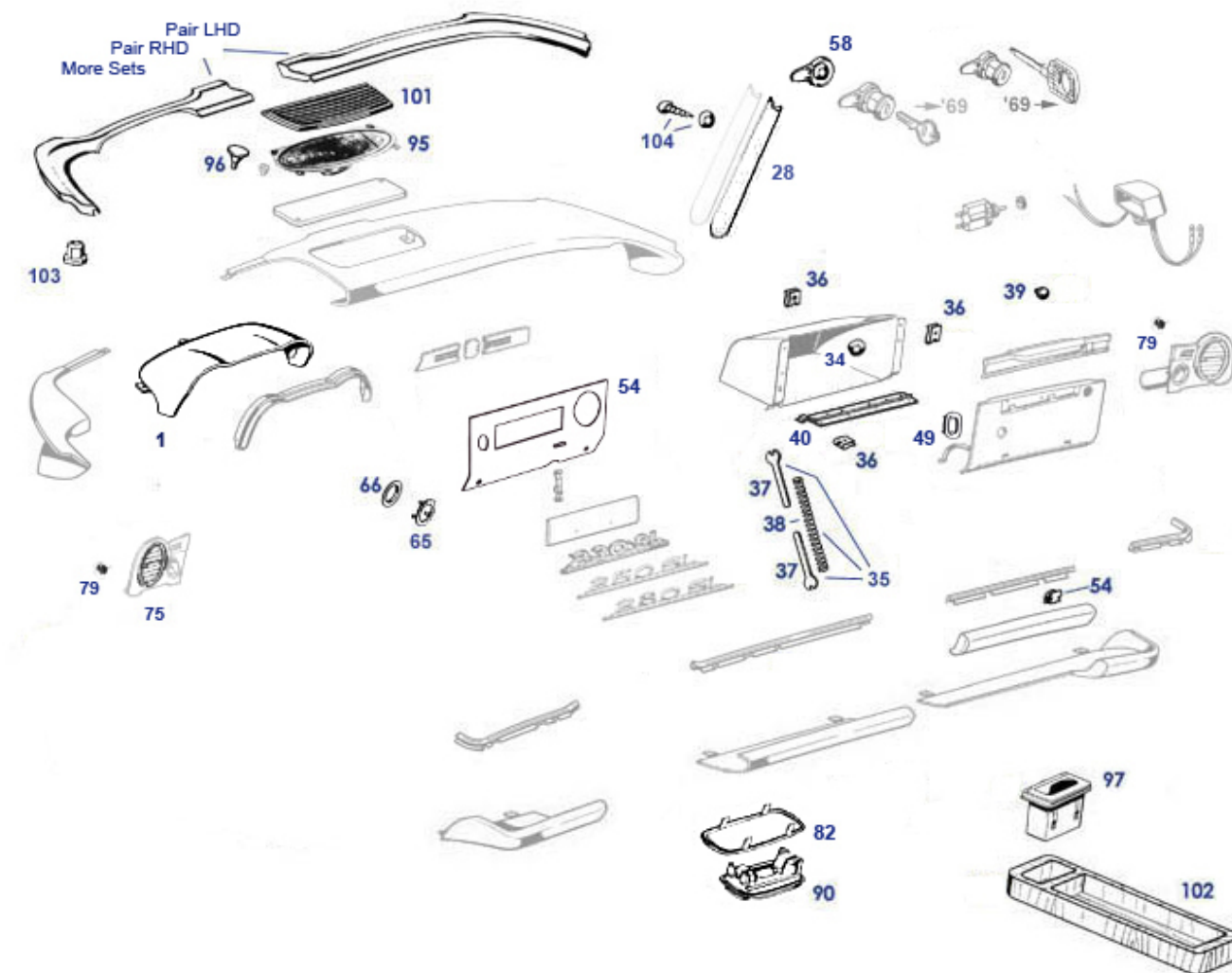


	Pair sunvisors 230SL, light Repro	281730	€ 385,58		e.g. roof lock latch to w-screen frame	277266	€ 7,46
1	Windscreen R113, green, repro	269701	€ 374,85	1	Windshield R113, green + green sripe	269501	N/A
1	Windshield/windscreen R113, clear	267501	€ 414,48	1	Windscreen R113, green, repro	269700	€ 344,51
1	W/S glastransp. incl. box(Germany)	967999	€ 121,25	1	del-t: Windshield/windscreen R113, clear	267001	€ 390,00
1	Special price: no refund of transportcosts etc	269800	€ 199,50	3	Windshield seal 230-280SL	267000	€ 99,95
3	W/S seal, import quality	267800	€ 46,30	4	Seal, A-pillar, L or R, needs t.b.cutte	272228	€ 13,47
4	Seal, A-pillar, left/right side, needs to be cutte	272220	€ 25,88	10	Windscreen Chrome Surround - Left	267040	€ 495,99
10	Windscreen Chrome Surround - Right	267050	€ 495,99	11	Connecting piece, middle	267045	€ 14,33
13	Chrome covering, A pillar LH	268705	N/A	13	Blechschaube zB Einstieg unter Gummim.	288134	€ 0,19
13	Chrome covering, A pillar RH	268706	N/A	13	Raw brass covering, A pillar RH	268806	€ 298,69
13	Raw brass covering, A pillar LH	268805	€ 298,69	14	Raw brass covering, upper ws frame	267810	€ 324,99
16	Chrome strip, inner upper Rt.	268021	N/A	17	A1136880039 Chrome strip, inner upper m	268099	N/A
18	Escutcheon, roof lock	268023	€ 136,53	20	Weatherstrip seal holder, Lt.	272725	€ 382,61
20	Chrome rail, A-pillar, Rt.	272726	€ 382,61	40	1 pair wood, raw base, a pillar W113 ->67	267704	€ 327,25
40	1 pair raw pillar covering alu inserts	267703	€ 357,00	40	1 pair raw pillar covering inserts	267803	€ 291,55
41	Escutcheon fitting panelling screws diam 3,9	267014	€ 0,89	50	Wood bow, 2-pce, LHD	267100	€ 822,00
50	Wood bow, on dashboard 2-pce, RHD	267101	€ 569,27	50	Washer, Star/frame	288047	€ 0,55
50	Fastener for window frame	267105	€ 1,25	50	Wood bow, on dashboard, 2-pce, LHD	267700	€ 447,89
50	wood set W113 alternative, see pictures	268125	N/A	50	see 268820	268120	N/A
60	Pin for sun visor from 1967	281739	€ 29,16	60	Pair Sunvisors '67-> light Repro	281735	€ 348,43
60	S'visor `67->, Lt.no mirr,no supp	281137	€ 223,35	60	Chrome bracket, visor RH ->'67	281168	€ 161,99
60	A11381007108001 Sun visor `67->, Lt. cr	281037	N/A	60	Chrome bracket LH visor ->'67	281158	€ 160,00
60	A11381001108001 Sun visor ->'67, Lt. cr	281031	N/A	60	S'visor support, outer, 67->, LT	281150	€ 89,90
60	A11381002108001 Sun visor ->'67, Rt. cr	281032	N/A	60	S'visor `67->, Rt.w. mirr,no supp,Repro	281136	€ 223,35
60	Sunvisor ->67 RH w/o bracket, cream	281132	€ 229,00	60	Sunvisor ->67 LH w/o bracket, cream	281131	€ 229,00

60	A11381010108001 Sun visor `67->, 281036	N/A	60	S'visor support, outer, 67->, RH	281160	€ 89,90
	Rt. cr					
61	Counter sunk screw 4,2x14, 799932	€ 0,58	61	Bracket, sunvisor ->`67	281038	€ 5,96
	industrial chromed					
63	panel screw, lens head, 3,5x22 281159	€ 0,44	63	Square nut e.g. at 281039	281169	€ 0,44
	visorsup					
63	Bracket, sunvisor'67->,cream-grey 281039	€ 13,64	64	Counter sunk screw 3,9 Phillips	281139	€ 0,26
70	A1158100017 Rear view mirror, 281028	N/A	71	A1138110511 Base plate , rear	281029	N/A
	repl.			view mirr		
72	Chrom-Innenspiegel 113/111 früh 281068	N/A	72	N/A ! Glass lens, fits inner mirror	281071	N/A
				230SL		

68 Covering, insulation, wood

68.a Dashboard coverings

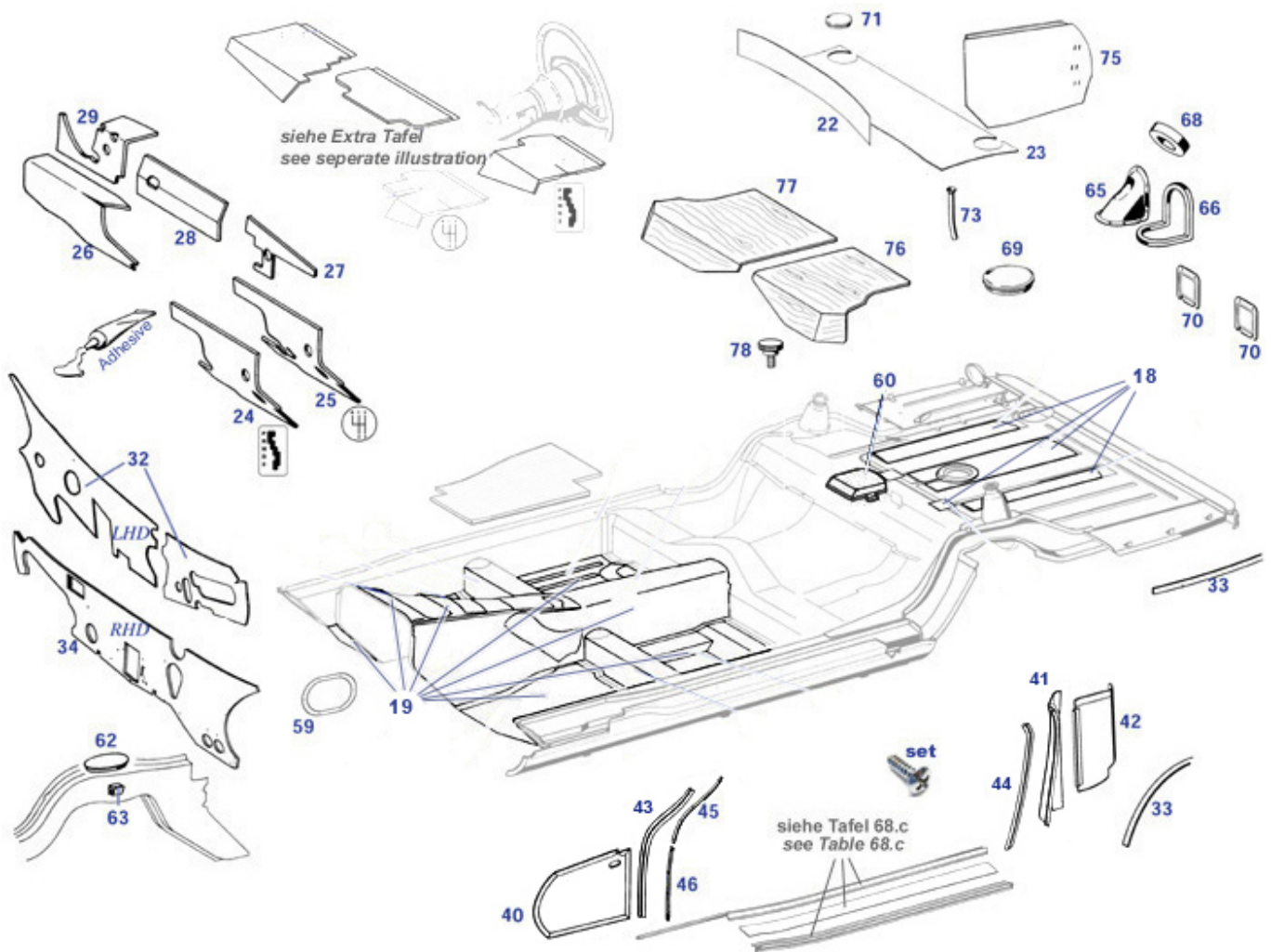


	Hinge strip LHD glovebox	268818	€ 199,99		A1119940345 Clamp,model no./radio cover see 268820	268045	N/A
	wood set W113 alternative, see pictures	268125	N/A			268120	N/A
	A1136800971 Chr. strip,lower mid.,early	268119	N/A		Retro-Radio "Hermosa"	299940	N/A
	A1136800271 Chrome strip, lower Rt.	268115	N/A		A1136802371 Chrome strip, lower mid.,la	268113	N/A
	Chrome strip, lower Lt.,late	268112	N/A		Bulb 12V / 10W, torpedo, total length 38	799081	€ 1,46
	See 268857! A0099880578 Clip, glovebox trim	268057	N/A		A1106890001 Lock	268055	N/A
	lock escutcheon from '67, Alu anodized	268043	N/A		Wood bow, on dashboard, 2-pce, LHD	267700	€ 447,89
	Wood bow, on dashboard 2-pce, RHD	267101	€ 569,27		Metal Clip, covers,	268676	€ 1,79
	Screw (sill to wheel arch)	288133	€ 0,50		A11368059069007 Cover, upper Rt., R113	268012	N/A
	A11368057069007 Cover, upper Lt., R113	268011	N/A		Wood bow, 2-pce, LHD	267100	€ 822,00
	Plastic-clip universal/VW, may replace SLS 268726	968275	€ 0,60		Wood kit LHD 4-pcs repro	268720	€ 1.249,50
1	raw inner shell, LHD dash section instruments	268803	€ 524,79	11	trim bar on instrument panel, lhd	268733	€ 83,30
28	1 pair raw pillar covering alu inserts	267703	€ 357,00	28	1 pair wood, raw base, a pillar W113 ->67	267704	€ 327,25

28	1 pair raw pillar covering inserts	267803	€ 291,55	36	countersunk washer / screw	373113	€ 2,68
36	Spring clip nut, 4,2 e.g. glove box	299027	€ 0,43	36	escutcheon		
37	Fork, glovebox lid	168070	€ 8,09	38	Spring clip nut, 4,2, e.g. wing 107,..	299028	€ 0,33
39	Rubber plug, e.g. drain holes ca. 8mm	198005	€ 1,55	40	Glove box closure spring	168071	€ 10,82
49	Escutcheon, dull, for link rod glove box	268249	€ 36,00	54	Hinge strip LHD glovebox	268118	€ 199,99
54	Clip, glovebox trim	268857	€ 1,30	58	Ctre section dashboard 230SL	268054	€ 106,06
65	Rest: escutcheon from '67, brass, chromed	268743	€ 14,99	65	locking latch/link, glove box lock	268058	€ 17,61
65	lock escutcheon up to '67, Brass, chromed	268741	€ 14,68	66	lock escutcheon up to '67, Alu anodized	268041	€ 7,98
66	Rubber ring 1967 -> 07..1979 A1156890097	268044	€ 4,61	75	Rubber pad, dec. ring, ->'67	268042	€ 16,18
75	Flap w.handle, air duct bezel mesh	283089	N/A	79	Air vent jet w. mesh, chrome	283070	€ 350,92
82	frame underneath interior lamp	282680	€ 18,39	90	round clips, vent bezels to dash	268143	€ 14,29
90	Interior light HELLA,same as MB- Replacement	282920	€ 31,33	90	Interior light, simplified	282020	€ 11,90
90	A1138200052 reading light, glovebox	282028	N/A	95	Bulb 12V / 10W, torpedo, total length 44	299094	€ 0,51
95	Set mountg.-bits speaker pagoda	268109	€ 29,99	95	Set mountg.-bits speaker pagoda, incudes mesh	268129	N/A
95	Oval loudspeaker 230-280SL	268015	€ 143,60	96	Large sheet, speaker protection fabric 1400 x 700	268128	€ 45,22
97	Ash tray, black	281000	€ 267,61	96	Rubber buffer 5mm,121,113,10	298066	€ 0,89
97	Ash tray, black	281800	€ 174,93	97	Ashtray in special colour	280980	€ 292,50
101	Countersuk screw eg wood grille	267109	€ 0,50	101	Speaker grille, wood R113	268017	€ 350,65
103	Fastener for window frame	267105	€ 1,25	102	Wood box, tranms. Tunnel	284700	€ 296,89
254101	113: Handschuhkasten, 107: Feststellbremse (254101	€ 402,03	103	Washer, Star/frame	288047	€ 0,55
				268116	A1136802791 Glove compartment box	268116	N/A

68.b Mats, Noise Reduction

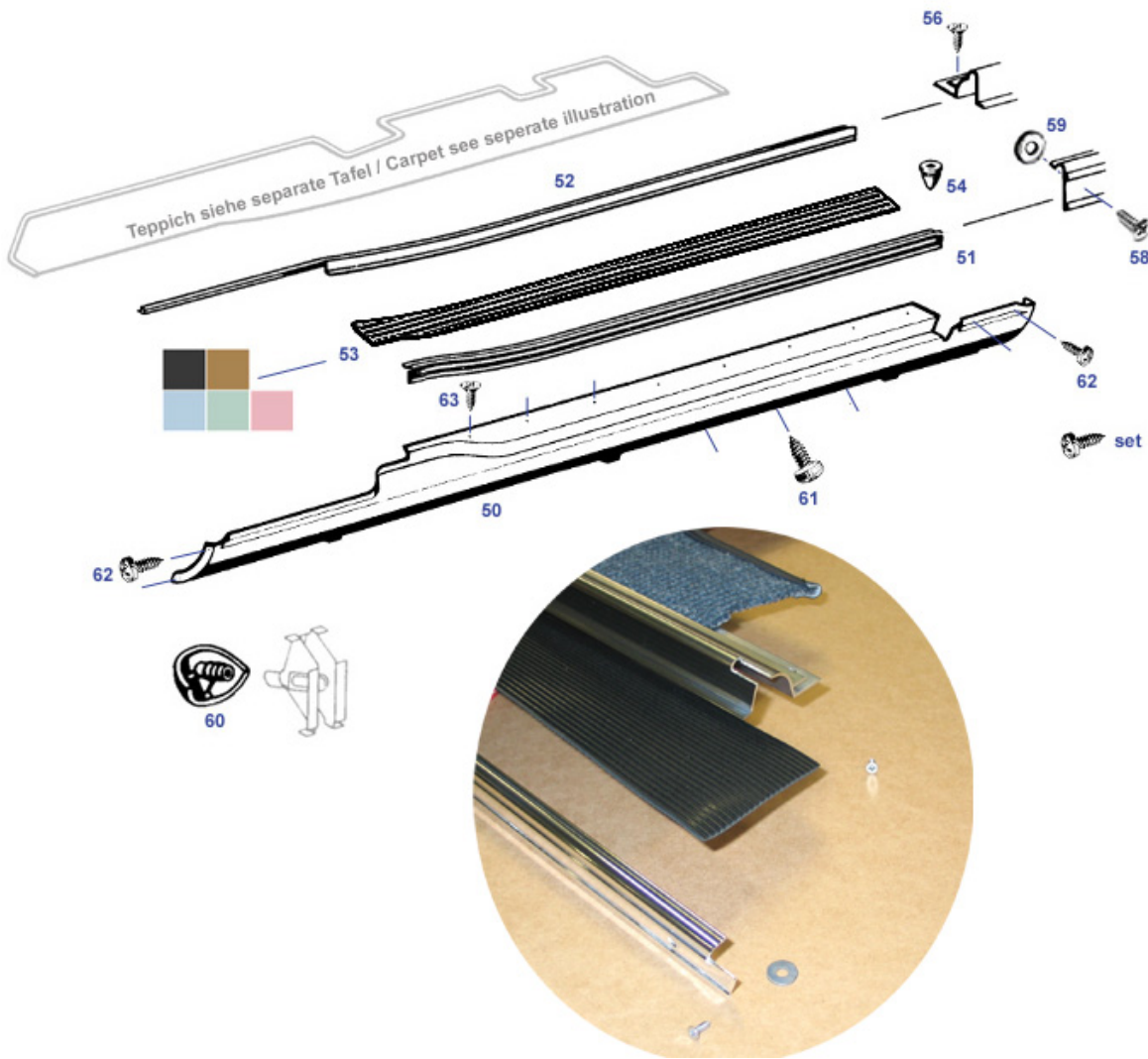
68.b Mats, Noise Reduction



	A1109870145 see 147016 or 347014	247014	N/A	A1137270272 Dec.strip, A-pillar, lower	272036	N/A
	rest: Bit. mat, transm. tun.upr.mid	268188	N/A	N/A Bitume mat, transm. tun.upr.rr.	268189	N/A
	Bit.mat, boot(trunk)LH/RH	268191	€ 9,95	n/a: pad, insulation near trunk wiring	268192	€ 5,38
	Speaker, 113 footwell, if "Stereo"	268215	€ 118,76	A1137270172 Dec.strip, A-pillar, lower	272035	N/A
	A1137270372 Dec.strip, A-pillar, upper	272037	N/A	n/a Bit. mat, transm. tun.RH,fr	268186	N/A
	A1137270472 Dec.strip, A-pillar, upper	272038	N/A	1m round foam profile, interior seals	272880	N/A
	no parcel service possible: glue 250ml	968027	€ 7,08	rubber boot mat, late	268702	€ 405,55
	Rubbermat trunk from VIN, B-quality, res	268700	€ 284,29	Curled nut, wooden covering	268739	€ 39,20
	Metal Clip, covers, lower plate, tunnel closure + gearbox carrier, Rep	268676	€ 1,79	Bit. mat, transm. tun.upr.fr.	268187	N/A
	N/A: Set, bit. floor mats	268172	N/A	N/A Bit. mat, transm. tun.LH,fr	268185	N/A
	Rest: Bitumen mat, transverse tunnel	268184	N/A	Felt mat, floor, front Lt.	268168	N/A
	Felt mat, floor, front Rt.	268169	N/A	Set, front floor felt mats	268171	N/A
	N/A Bitumen mat, floor,rrt. Rt.	268181	N/A	Bit. mat, boot(trunk)piping	268173	N/A
	N/A Bitumen mat, floor,frt. Lt.	268180	N/A	n/a: Bitumen mat, floor,rrt. Rt.	268183	N/A
18	Set boot floor insulation mats W113	268773	€ 89,99	N/A: Bitumen mat, floor,rrt. Lt.	268182	N/A
19	Set interior insulation 230SL	268771	€ 599,99	1sqm mat, Terodem SP300 self adhesive	268772	€ 583,99
				Insulation lower box cover	268193	€ 80,63
22	Pad, rear compt.fr.wall	268194	€ 13,45	Insulation mat,bulkhead LT lower LHD-ma	268198	€ 59,44
23	2 pcs. softtop box damping, simple quality	268893	€ 58,55			

24	Insulation mat,bulkhead LT lower LHD-ma	268898	N/A	25	Insulation mat, firewall Lt. lo	268208	€ 57,61
26	Insulation mat, firewall Rt. lo	268199	€ 58,66	27	Insulation mat, firewall Lt. up	268195	€ 35,00
28	Insulation mat, firewall ctre.	268196	€ 29,07	29	Insulation mat, firewall Rt. up	268197	€ 45,35
32	Firewall mat LHD, Material 13mm	268530	€ 249,90	32	Firewall insulation, geometr.pattern,LH	268830	€ 399,99
33	Multi-Purpose Adhesive Insulation Seal	298001	€ 10,95	34	Firewall Insulation RHD Replacem.2Layer	268726	€ 129,04
40	raw wooden fibre card, RH footwell covering	268032	€ 19,99	40	see 268031, cardboard footwell cover LH	268033	N/A
40	see 268032, cardboard footwell cover LH	268034	N/A	40	raw wooden fibre card, LH footwell covering	268031	€ 19,99
41	Raw blank inner cover B-pillar LH	269165	€ 155,00	41	Raw blank inner cover B-pillar RH	269166	€ 155,00
42	Cover plate , rear, Rt.	269180	€ 174,99	42	Cover plate , rear, left	269170	€ 174,99
43	set of 4 insulation strip, door pillars, black lea	272890	€ 199,99	45	Dec.strip, A-pillar, upper	272837	€ 61,75
45	Dec.strip, A-pillar, upper	272838	€ 61,75	46	Dec.strip, A-pillar, lower	272835	€ 170,00
46	Dec.strip, A-pillar, lower	272836	€ 170,00	46	Ctr sunk screw @ 272033/044/300/400	272034	€ 1,44
59	Metal cover round, strut, sp.tyre well, ..	268070	€ 6,40	59	Covering, tunnel near gearbox	268069	€ 37,96
59	Tapping screw Phillips 4,2x9,5	799936	€ 0,15	60	cover rear cross member, above axle mount	269832	€ 31,90
60	Rivet,for cover in boot	269034	€ 0,35	62	Cover, front subframe mount	268010	€ 11,90
63	Clip,cover	268009	€ 1,74	65	Cover plate, filler neck	269020	€ 31,77
66	sealing strip, see 199995, 699995	299995	N/A	66	Edge protection profile mtr, eg trunk	269010	€ 3,80
68	Sealing ring, filler neck->boot	269030	€ 7,13	69	round cover above fuel sender,Repro	247814	€ 5,20
69	Cover above fuel sender, plastic,black	347014	€ 7,79	70	cover, rear panel, inner	269033	€ 48,52
71	A1116838036 Cap, floor, rear compartmen	268040	N/A	73	Run-off / drip hose, S/T compartment	279032	€ 11,25
75	Left Trunk Cover Paper Board+foam	268611	€ 88,88	75	Right Trunk Cover Paper Board+foam	268610	€ 88,88
76	raw wooden floors, pair	268735	€ 599,99	76	Wooden floor rear lt	268330	€ 623,99
77	Wooden floor rear rt	268340	€ 655,10	78	Curled nut, wooden covering	268139	€ 53,94

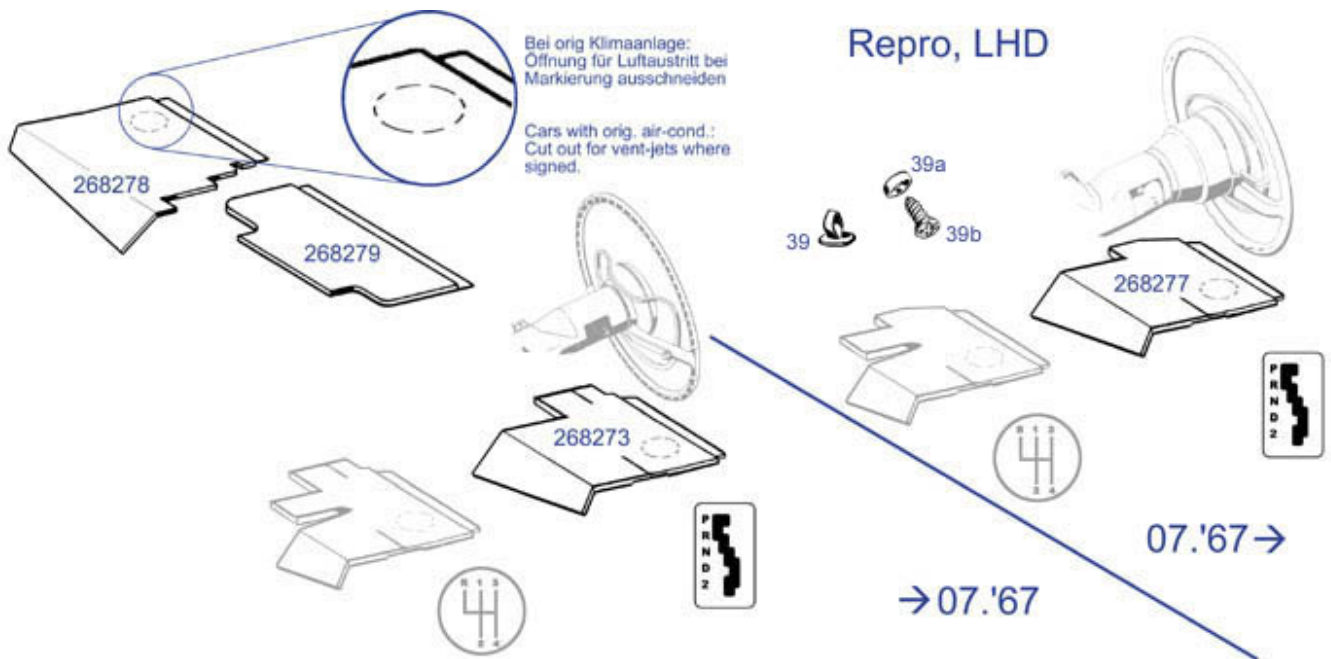
68.c Rockerpanel and trim



50	Threshold panel R113, '65-'71 RH	288080	€ 208,67	50	Threshold panel R113, '65-'71 LH	288070	€ 208,67
51	Moulding set 4pcs 230-280SL	268880	€ 564,55	51	Cover rail, thresh., outer Lt.	268130	€ 118,55
51	Cover rail, thresh., outer Rt.	268140	€ 118,55	52	Cover rail, thresh., inner Lt.	268150	€ 150,29
52	Cover rail, thresh., inner Rt.	268160	€ 150,29	53	Mat, entry panel RH, cream color, B	268062	€ 32,50
53	see 268869, cutting required	268870	N/A	53	Mat dark blue-grey 1200x130 rubber grov	268869	€ 109,00
53	Mat, entry panel LH, cream color, B	268061	€ 32,50	53	1 pair Mat, red, 1200x130 rubber, groove	268867	€ 109,00
53	Rubber mat, black Repro, rocker RT	268866	€ 20,61	53	Rubber mat, black repro, rocker LT	268865	€ 20,61
53	see 268867, cutting required	268868	N/A	54	Rubber buffer 5mm,121,113,10	298066	€ 0,89
58	panelling screw, phillips, chromed	268133	€ 1,32	59	Washer, entry trim strip, fr.	268132	€ 0,18
60	Cap, jack hole 230-280SL	289008	€ 13,74	61	Screw 3,5 x 9,5, see picture	288081	€ 0,32
62	Screw (sill to wheel arch)	288133	€ 0,50	63	Blehschraube zB Einstieg unter Gummim.	288134	€ 0,19

68.d Covering under dashboard

68.d Covering under dashboard



	frame underneath interior lamp	282680	€ 18,39	39	Screw @ front grille	188071	€ 1,90
39	Washer, chrome, high shape, fits up to 4mm screws	288013	€ 2,99	39	Metal Clip, covers,	268676	€ 1,79
268273	Cover Paper, Lt. ->'67 autom. LHD	268273	€ 51,53	268277	Cover Paper, Lt. '67-> autom. LHD	268277	€ 51,53
268278	Cover Paper, Rt, 113 standard LHD	268278	€ 47,66	268279	Cover Paper, mid.113 standard LHD	268279	€ 46,36

68.e Floor mats, info and attached parts

68.e Floor mats, info and attached parts

Teppich: Beispiel für Lieferumfang und Befestigungsteile

Abbildung: frühe Fahrzeuge mit Gummimatten vorn
(kein Teppich auf vorderen Böden)

Illustration: early cars, front rubber mats
(no carpet in frt. footwell)

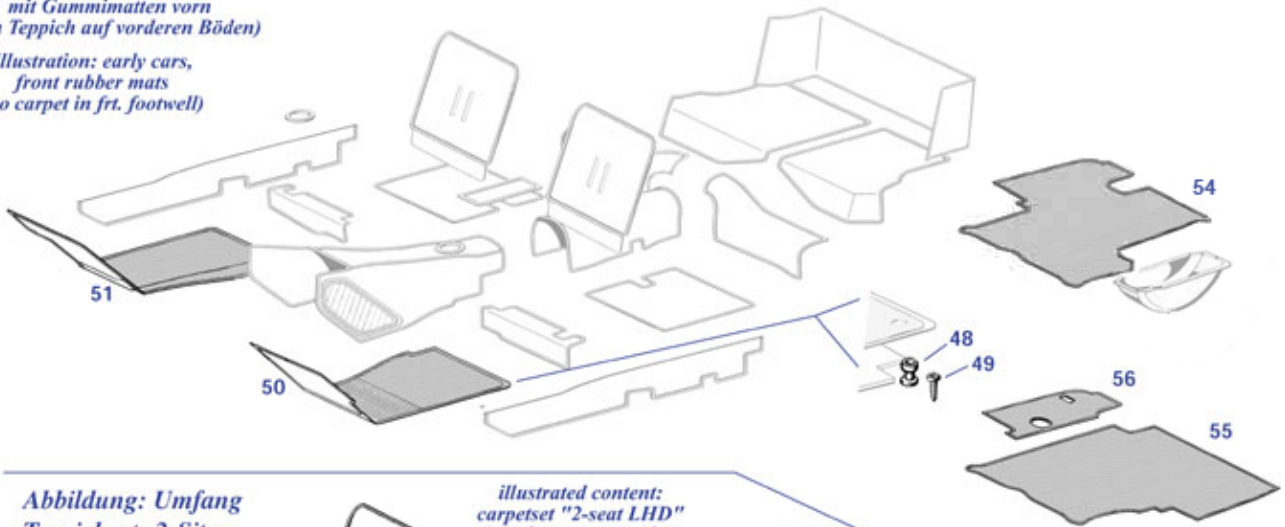
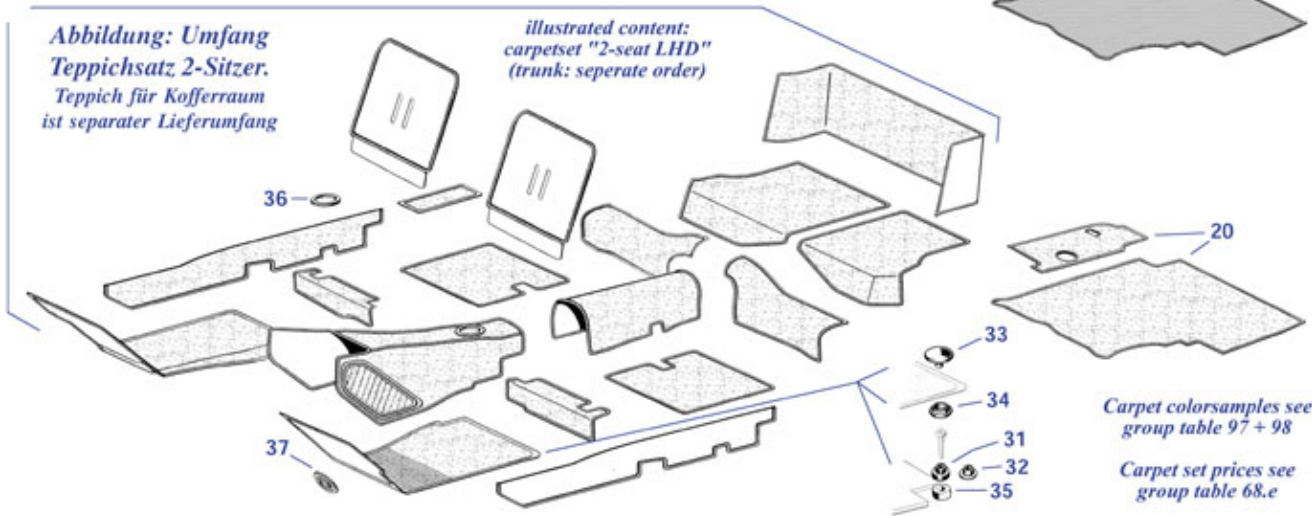


Abbildung: Umfang Teppichsatz 2-Sitzer.
Teppich für Kofferraum ist separater Lieferumfang

illustrated content: carpetset "2-seat LHD"
(trunk: separate order)



Carpet colorsamples see group table 97 + 98

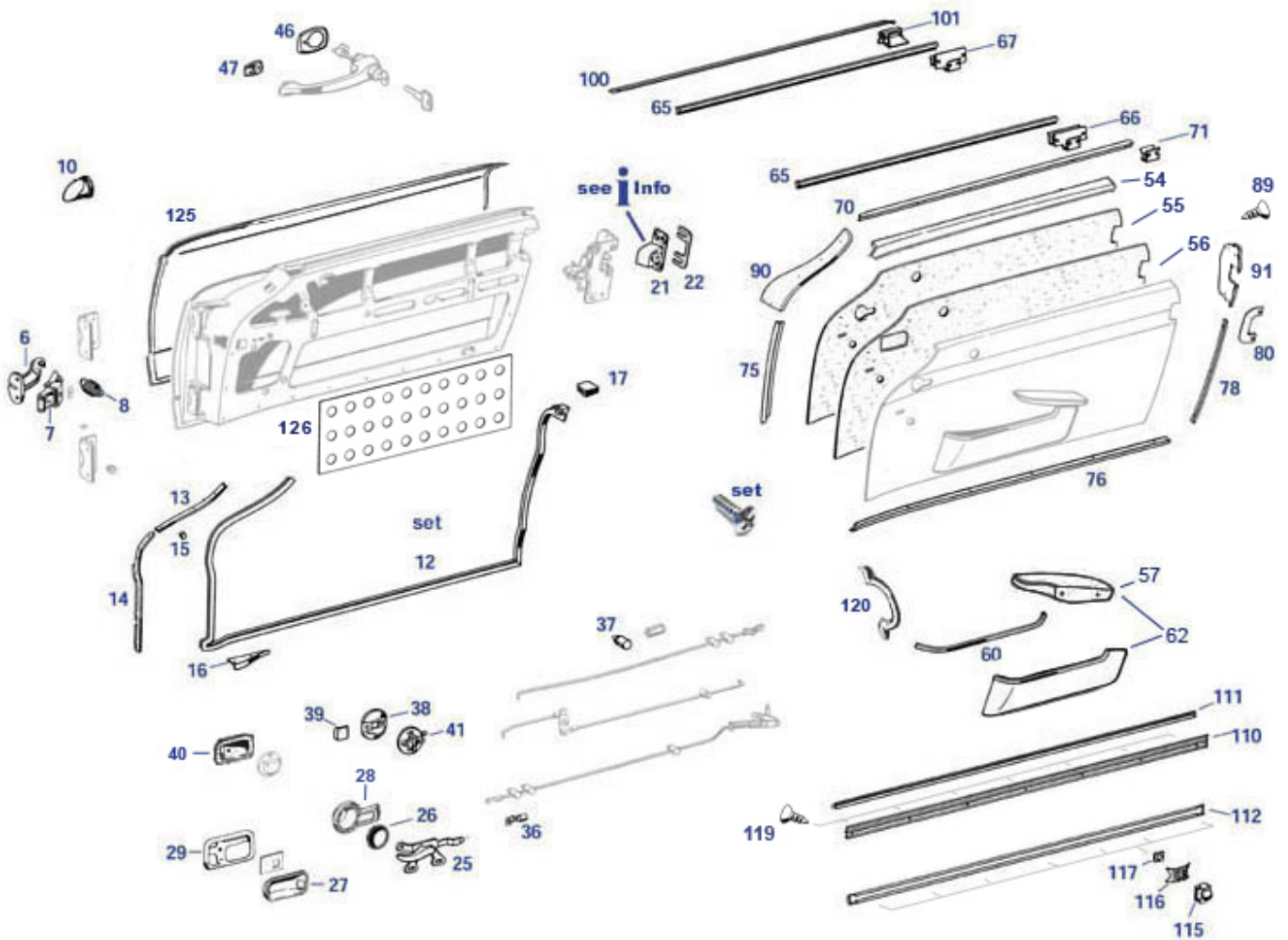
Carpet set prices see group table 68.e

	round cover above fuel sender,Repro	247814	€ 5,20		Cover above fuel sender, plastic,black	347014	€ 7,79
	Rubbermat trunk from VIN, B-quality,res	268800	N/A	20	Protection, boot mat early	268301	€ 49,50
31	A0009888481 Press button	177008	N/A	32	Ball to screw, part of snap	177003	€ 0,43
33	Cap part of snap	177005	€ 1,79	34	Spring eye part of snap	177006	€ 0,39
35	A1119901040 Washer	268106	N/A	36	1119971081 Grommet, gearlever @ carpet	268075	N/A
37	Carpet, rubber, impr. red	268084	€ 5,58	37	Carpet, rubber, impr. light grey	268077	€ 6,90
37	Carpet, rubber, impr. black	268076	€ 5,46	37	Carpet, rubber, impr. dk. red	268083	N/A
37	Carpet, rubber, impr. light brown	268080	€ 5,58	37	Carpet, rubber, impr. blue	268078	€ 6,90
37	Carpet, rubber, impr. dk. brown	268082	€ 5,58	37	Carpet, rubber, impr. green	268079	€ 5,58
37	Carpet, rubber, impr. beige	268081	€ 5,58	48	Knob(1pce),e.g.rubbermats	268105	€ 4,94
49	Screw 4,2 x 25	268104	€ 0,30	50	A11368409026131 Rubber mat, R113 Lt. fr	268100	N/A
51	A11368408026131 Rubber mat, R113 Rt. fr	268200	N/A	54	Rubber mat trunk early / wheel standing	268701	€ 387,35
55	A1136840104 Rubber mat, boot, Lt. grey	268300	N/A	55	Protection, boot mat late	268302	€ 49,90
55	rubber boot mat, late	268702	€ 405,55	55	Rubbermat trunk from VIN, B-quality,res	268700	€ 284,29
56	Rubber mat, boot, RT, black reproductio	268400	€ 23,18	56	Rubber pan, jack storage support (foot)	259998	€ 18,21

72 Door

72.a Door

72.a Door



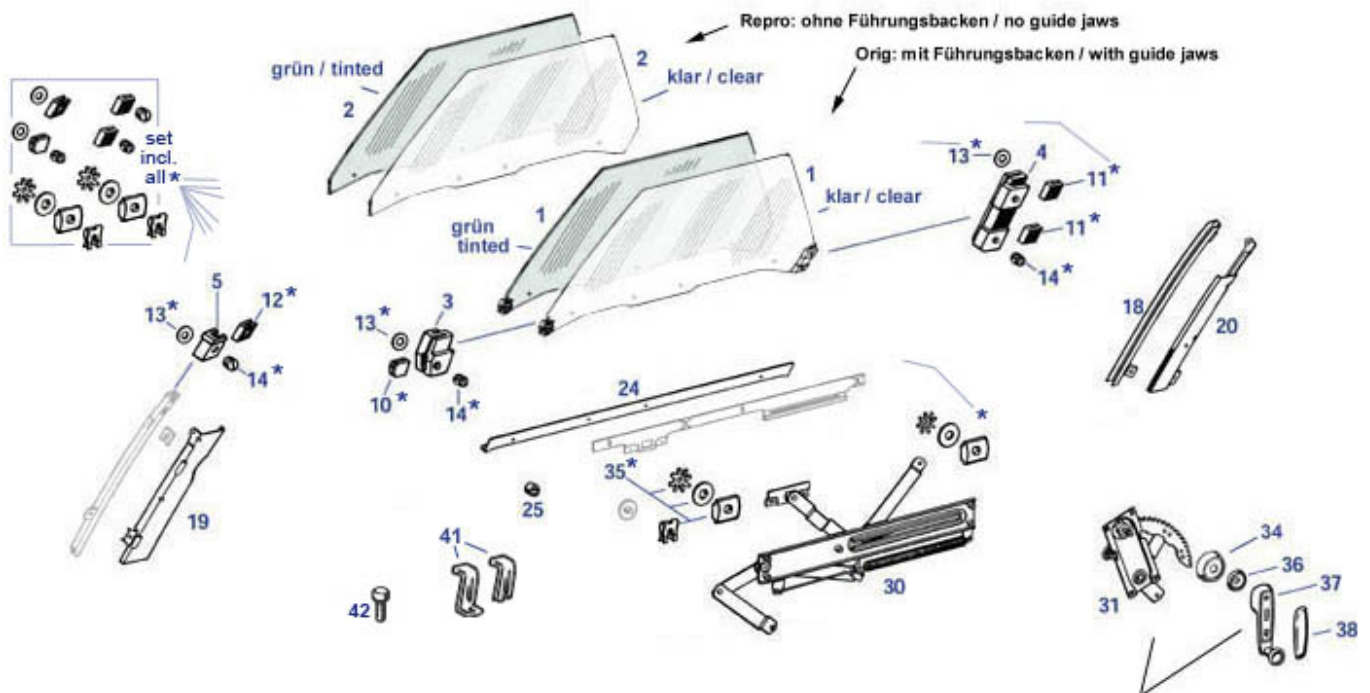
	A1137200938 Door hinge, Ir., Lt. or Rt.	272057	N/A		2x door, 1x glove box, 1x trunk	289808	€ 899,99
	Dec.strip, A-pillar, upper	272838	€ 61,75		Dec.strip, A-pillar, upper	272837	€ 61,75
	Dec.strip, A-pillar, lower	272836	€ 170,00		Dec.strip, A-pillar, lower	272835	€ 170,00
	Dec. strip, ALU R113 @ door LH, repro	272670	N/A		A1157200504 Door catch Lt. R113 late, 1	272021	N/A
	A1157200604 Door catch Rt. R113 late, 1	272020	N/A		A1137200392 Pull rod, late FN, Lt./Rt.	272017	N/A
	A1137200693 Int.handle ass. FN	272014	N/A		Dec. strip, ALU R113 @ door RH, repro	272672	€ 99,00
	4 rubber stripes, 8 prot hoses	272775	€ 67,70		steel, sandblasted, upper part of cover structure	B272137	€ 95,20
	2m Window brush, Repro (slim)	372500	N/A		A1107660690 see Repro 276855	276055	N/A
	A11181052549000 Handle, replaced versio	281005	N/A		Armrest/Handle Euro left leather eg black	297610	N/A
	Handle/Armrest EUR RH, leather eg blk	297620	N/A		Screw countersunk, 3,9 x 22	999994	€ 2,28
	Screw @ front grille	188071	€ 1,90		set of 4 insulation strip, door pillars, black lea	272890	€ 199,99
6	Catch,doorcheck, Lt./Rt.	272060	€ 136,85	7	roll, door stop repair	272079	€ 29,75
7	Doorcheck, Lt. / Rt.	272061	€ 191,00	8	Tension spring,doorcheck	272054	€ 9,97
10	Plug, rubber	272840	€ 5,68	12	Right Door Seal W113	272200	€ 149,99
12	Seal, door 230-280SL, Lt.	272100	€ 149,99	12	Door seal 230-280SL rightrepro	272820	€ 57,60
12	Door seal 230-280SL left repro	272810	€ 57,60	13	Seal holder,front upper Lt.	272041	€ 70,32
13	Seal holder,front upper Rt.	272042	€ 70,32	14	Seal holder,front lower left side	272045	€ 183,08

14	Right Upper Retaining Rail	272842	€ 145,66	14	Seal holder,front lower Rt.	272046	€ 183,08
14	Left Upper Retaining Rail	272841	€ 145,66	15	Spacer bushing	272043	€ 3,45
15	Chromed screw countersunk eg.door panel	172199	€ 0,83	16	A0009900497 rivet, seal bracket under door	298972	N/A
16	A1137220545 Seal holder, lower Lt.	272064	N/A	16	A1137220645 Seal holder, lower Rt.	272065	N/A
17	Rubber buffer @ soft top, Rt.	272286	€ 38,85	17	Rubber buffer @ soft top, Lt.	272285	€ 38,85
20	lock mechanism LH, no prot-lock	172049	€ 459,99	20	late lock mechanism RH, no prot- lock	272062	€ 457,70
20	lock mechanism RH, no prot-lock	172048	€ 399,45	20	late lock mechanism LH, w. prot- lock	272063	€ 572,25
20	lock mechanism RH, no prot-lock	272051	€ 432,21	20	lock mechanism LH, w. prot-lock	272050	€ 478,39
21	Door catch RH, ca. 06.'69 to 08.'85	272620	€ 107,10	21	Door catch LH, ca. 06.'69 to 08.'85	272621	€ 107,10
21	screw	299046	€ 0,77	21	A1087200304 Door locator, for repairs,	272177	N/A
21	A1087200404 Door catch Rt., see pict	272188	N/A	21	Screw, 6x16 e.g. door catch, ..	777021	€ 1,24
21	Door catch RT. 07.61->'67 3-hole	272022	€ 91,25	21	Door catch Lt. R113 07.61->'67 3-hole	272055	€ 91,45
22	distancer 0,5mm flat , door catch '69->	872012	€ 4,76	22	Distancer, 1,5mm, door catch '69->..	572012	€ 4,75
22	A1007230211 Plate, R113 67->, milled	272012	N/A	22	Distancer, milled, ca. 1,55mm	172075	€ 40,11
22	Distancer, milled, ca. 1,35mm	172074	€ 35,05	22	Distancer, milled, ca. 1,15mm	172073	€ 27,16
25	Locking washer M6	299273	€ 0,21	25	Phillips screw, half-round head, M6 x 16	990109	€ 0,34
25	Opener handle inner RH ->'67 (230,250FN	276112	€ 174,76	25	Opener handle inner LH ->'67 (230,250FN	276111	€ 174,76
25	Opener handle inner RH '67-> (250FN,280	276012	€ 289,99	25	Opener handle inner LH '67-> (250FN,280	276011	€ 289,99
26	Insert opener handle, round style	276755	€ 9,40	26	Insert opener handle, round style	276855	€ 11,72
27	A1087660390 Insert, late FN, Lt.	276009	€ 19,99	27	Late right Insert black 250-280SL	276010	€ 19,99
28	Escutcheon, fits opener handle LH ->'67	276050	€ 129,70	28	Escutcheon, opener handle RH ->'67 optical error on	276060	€ 129,70
29	countersunk head srew M4X8, zinc plated	276098	€ 0,12	29	Opener chrome surr. from 67, orig	276007	€ 27,97
29	Opener surr. 67->, RH, orig	276008	N/A	36	clips, may replace 198004	298004	€ 1,13
36	clips for door actuator link wires	198004	€ 27,04	37	Rubber rod guide 190SL, R113, 111Cpe/Cab	298705	€ 5,95
37	Rubber rod guide 190SL, R113, 111Cpe/Cab	298005	€ 5,55	38	countersunk head screw M3X8 stainless steel, door	276099	€ 0,41
38	Door lock escutcheon plate	176066	€ 78,53	39	Chrome cover @ lock-lever	172868	€ 15,10
39	Cover tab chromed for 176066	172168	€ 9,98	40	Recess, 280SL, 250SL 02980->	276013	€ 162,48
41	Locking handle assy. inner door ->'67 R	172194	€ 109,78	41	Spring washer M4, e.g. trim fixing	799918	€ 0,12
41	Locking handle assy, inner door ->'67 L	172193	€ 109,78	46	Rubber handle-tail, 113:RH / 111:LH	276820	€ 5,68
46	Rubber handle-tail, 113:LH / 111:RH	276810	€ 5,68	47	Rubber handle-frt, 113:LH / 111:RH	276830	€ 4,97
47	Rubber handle-frt, 113:RH / 111:LH	276840	€ 4,97	54	collar LH, upper part of door cover structure	272137	€ 155,00
54	collar RH, upper part of door cover structure	272138	€ 155,00	55	Stiffening, Lt. ->'67	272127	€ 60,99
55	Stiffening, Rt. up to year '67	272128	€ 57,77	55	Stiffening set ,up to year 67	272728	€ 78,90
56	Door covering stiffening, 67> set	272832	€ 78,90	56	Door cover stiffening, Rt. 67->	272132	€ 50,99
60	Moulding, front door, Lt.	272069	€ 149,86	60	Moulding, front door, Rt.	272068	€ 149,86
62	Set box+handle door conv. Eur RH	272136	€ 293,56	62	Set box+handle door conv. EUR LH	272135	€ 293,56
62	rail, for lower door pocket fixture	272139	N/A	65	1m brush profile? Window Scraper Seal - 1157250965	872500	€ 21,19
66	Clip, brush inner (113: 10x req)	272951	€ 1,90	67	clip, brush, outer (10x req)	272952	€ 1,88
70	Dec. strip, inner upper Lt.	272005	€ 96,58	70	Dec. strip, inner upper Rt.	272006	€ 96,58
71	clip trim/dec. strip	272013	€ 0,45	75	panelling screw, phillips, chromed	268133	€ 1,32
75	Binding rail, front Rt.	272008	N/A	75	Binding rail,front Lt.	272007	N/A
75	Screw, R/C107, R113	272724	€ 0,51	76	Binding rail, lower Rt.	272067	N/A
76	Binding rail, lower Lt.	272066	N/A	78	Binding rail, rear Rt.	272044	N/A
78	Binding rail, rear Lt.	272033	N/A	80	Countersunk screw M4 x 8 chrome eg lock esc	299042	€ 0,71
80	complete screw set, chrome plated	299233	€ 399,90	80	1 pair door catch garnish 113,111Cab/Cp,C107 early	272815	€ 109,00
80	Screw, door catch surround M4 x 10	777029	€ 1,90	89	Ctr sunk screw @ 272033/044/300/400	272034	€ 1,44

90	A1137280321 Chromed cover, front Lt.	272030	€ 125,50	90	A1137280421 Chromed cover, front Rt.	272040	€ 125,50
90	e.g. roof lock latch to w-screen frame	272727	€ 1,05	91	Door Chrome14 pcs-kit, WITH NO LONG TRIMS	272845	N/A
91	Chromed cover, door rear, right	272400	€ 294,17	91	Chromed cover, door rear, left	272300	€ 294,17
100	Left/Right Door Chrome Trim Strip	272230	€ 348,35	101	Clip, door strip, outer	272011	€ 2,80
110	Dec. strip, R113 @ door, Rt., chromed brass	272260	€ 310,00	110	Dec. strip, R113 @ door, Lt, chromed brass	272250	€ 360,00
111	1m Rubber profile @ heavy trims	272166	€ 5,36	111	1m Rubber profile @ heavy trims	272266	€ 8,33
112	A1137280135 Dec. strip, ALU R113 @ door	272270	N/A	112	A1137280235 Dec. strip, ALU R113 @ door	272280	N/A
115	Clip, dec. strip, plastic	269161	€ 1,79	116	Lock washer, alu. dec. strip	272283	€ 0,71
117	Plug, for dec. Strip	272281	€ 0,86	119	Screw for chrome strips	269164	€ 0,13
120	Handle, e.g. Hardtop	281004	€ 233,00	125	Attention: Shipping special treatment (size/sensit	272709	€ 495,04
125	Attention: Shipping special treatment (size/sensit	272710	€ 495,04	126	Dämmung selbstklebend 2mm x 1,6qm	968171	€ 119,99
126	Insulation, adhesive, at door skin inside, SL113	272168	€ 43,34	129	Bolt, lock linkage, doors from 1967	298006	€ 18,94
189	Handle, key, fits up to 11.'78 ca	789890	€ 5,95	372016	rep.-kit hinge repair W110/110, 113 needs machinin	372016	€ 79,38

72.c Door Window

72.c Door Window



3 Generationen ! Knopfänderung 1967, Verbindung Kurbel auf Welle wurde Januar 1970 geändert. Montage von Teilen verschiedener Generationen ggf. nicht möglich.

3 Generations ! Knob design changed 1967, connection lever-to-shaft changed Jan.. 1970. No fitment of mixed up parts

1	A1137200318 Door glass R113, Lt. green	269503	N/A	1	A1137200118 Door glass, Lt., clear	272001	N/A
1	A1137200218 Door glass, Rt., clear	272002	N/A	1	A1137200418 Door glass R113, Rt. green	269504	N/A
2	Door glass 113 RH, green, no brackets	269704	€ 290,00	2	Door glass 113 LH, green, no brackets	269703	€ 290,00
2	Door glass RH clear, w/o guide jaws	272704	€ 284,99	2	Door glass LH clear, w/o guide jaws	272703	€ 284,99
3	Guide jaw windw. frt RT	272825	€ 29,18	3	guide jaw front left glass end,w/o attachmt	272824	€ 29,18
4	guide jaw left glass rear,w/o attachments	272822	€ 21,50	4	just info: special glue for rear view mirrors	772930	N/A

4	guide jaw RH glass rear, w/o attachment	272823	€ 21,50	5	Guide jaw, left, guide rail	272009	€ 148,75
5	Guide jaw, Rt., guide rail	272010	€ 148,75	10	Slide, Rt., front, window	270628	€ 5,36
10	Lower left front Retainer Insert	270629	€ 5,36	11	A1137250834 Slide, Rt., rear, window	270624	€ 5,36
11	set of window rail guides	272970	N/A	11	A1137250734 Slide, Lt., rear, window	270625	€ 5,36
12	Slide, front left, rail	270627	€ 5,36	12	Slide, Rt., front, rail	270626	€ 5,36
13	Rubber washer, adjusted slide rail inser	270723	€ 0,99	14	see 272870	272071	N/A
14	Grub screw	270722	€ 6,66	14	lease add screw locking fluid	270822	€ 0,96
18	Guide rail, rear, Left	272735	N/A	18	Guide rail, rear, right	272720	N/A
19	A1137250568 Water trough, front, Lt.	272755	N/A	19	A1137250668 Water trough, front, Rt.	272750	N/A
20	A1137250768 Water trough, rear, Lt.	272765	N/A	20	A1137250868 Water trough, rear, Rt.	272760	N/A
24	4 rubber stripes, 8 prot hoses	272775	€ 67,70	24	A1137200147 Rail, side window holder, L	272073	N/A
24	A1137200247 Rail, side window holder, R	272074	N/A	25	1m hose 1/4" x 1,5 e.g glass mount	272875	€ 1,82
25	Rubber sleeve for door glass	272075	€ 2,50	30	Spring, window lifter	272115	€ 42,52
30	A1137250960 Lifting cross 230-280SL, Lt	272120	N/A	30	A1137251060 Lifting cross 230-280SL, Rt	272121	N/A
31	A1137250702 Window lifter Lt., late	272119	N/A	31	A1137250802 Window lifter Rt., late	272118	N/A
34	Chr. escutcheon,->`67, "B"-quality	276006	€ 69,02	35	assy see pict: same as MB assy 123	272752	€ 10,88
36	A1087680113 washer, see kit contents 272752	276005	N/A	37	Window crank handle 63-70 replacemt	276901	€ 49,50
37	fits mechanism with screw-on shaft	276003	€ 49,50	37	Handle W123-design, repro, simplified	776801	€ 14,28
37	Window crank handle 63-70 replacemt	276001	€ 133,64	37	Handle w.knob, ca. 1970-1976	276004	€ 41,50
37	Handle MB,W123-design, usable '70-'82	776001	€ 3,67	38	Crank Pad 06.63->01.70 black	276090	€ 17,49
38	Crank pad 01.70->05.76 dark red	276091	N/A	38	A12376001206086 Winder inlay, olive	776066	N/A
38	A12376001207101 Winder inlay, grey	776067	N/A	38	Winder inlay, red 5.76->8.82	776053	N/A
38	A12376001209051 Winder inlay, black ->8	776060	N/A	38	A12376001203076 Winder inlay,siena red	776063	N/A
38	A12376001205076 Winder inlay, blue ->8.	776065	N/A	38	A12376001208336 Winder inlay, beige	776068	N/A
38	A12376001208326 Winder inlay, date ->8.	776062	N/A	41	Stopper brackets, doorglass, 1 pair	272747	€ 32,20
42	Hex Nut M6 flat shaped	299291	€ 0,37	42	Buffer M6, see 298201	298801	N/A

72.d Info window crank handle

72.d Info window crank handle



230SL,
250SL -> 002979
(64->07.67)



250SL 002980->,
280SL ->015518
(07.67->01.70)



280SL 015519->,
R/C107...
(01.70->05.76)



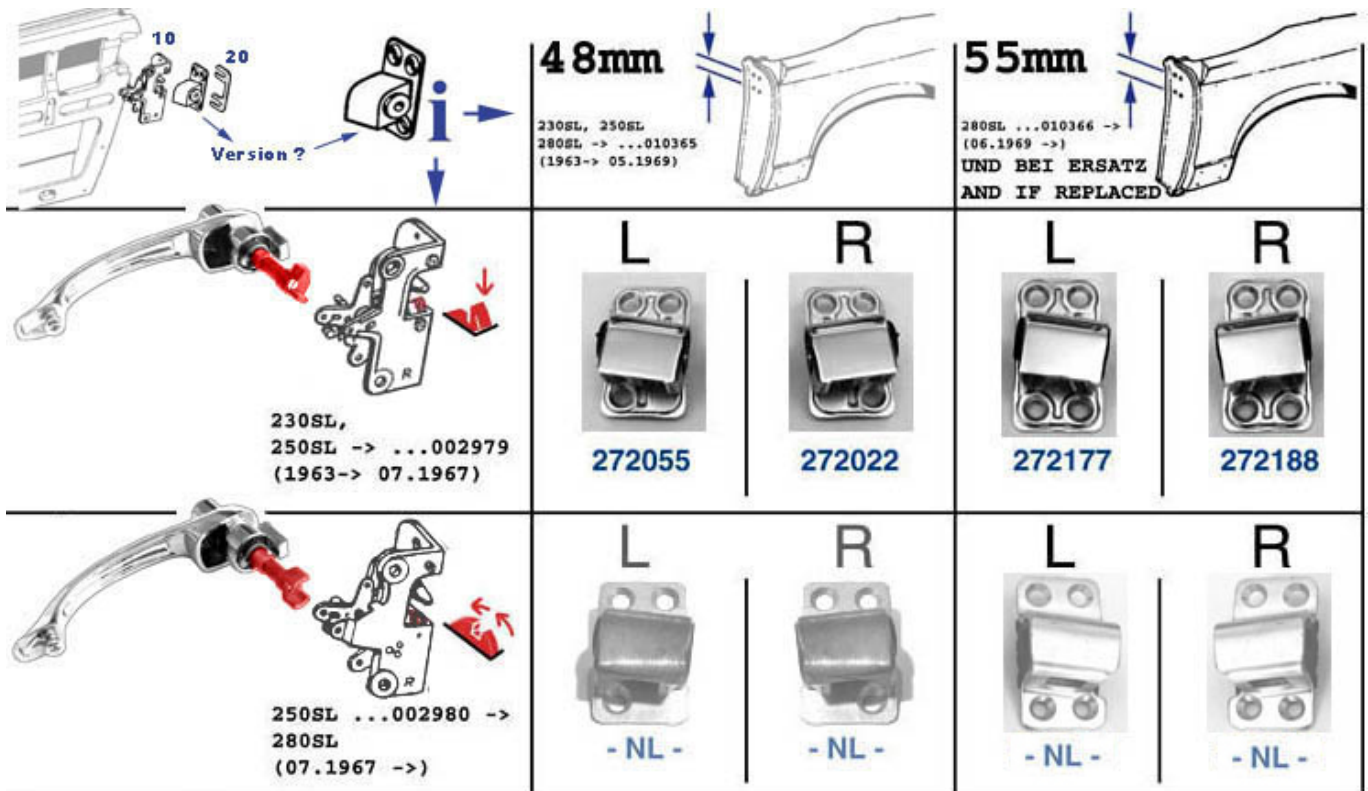
05.76->08.82



	Handle w.knob, ca. 1970-1976	276004	€ 41,50	276001	Window crank handle 63-70 replacemt	276001	€ 133,64
276001	Window crank handle 63-70 replacemt	276901	€ 49,50	276003	fits mechanism with screw-on shaft	276003	€ 49,50
776001	Handle MB,W123-design, usable '70-'82	776001	€ 3,67	776001	Handle W123-design, repro, simplified	776801	€ 14,28

72.b Info Door Catch

72.b Info Door Catch



"m.Sp." = Schlossmechanismus mit SPERRE GEGEN SELBSTAUSSCHLIEßEN
 bedeutet: die FAHRERSEITIGE Tür lässt sich nicht im verriegelten Zustand zuschlagen



"m.Sp." = Locking mechanism avoids locking out yourself
 means: impossible to slam the locked (drivers side) door

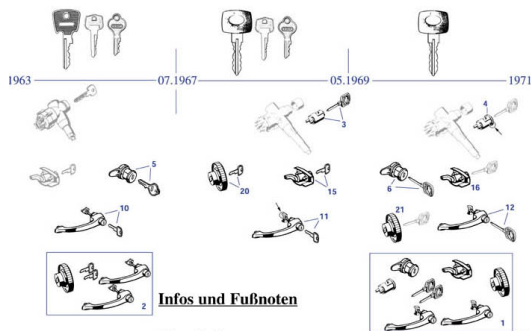
Die Liefersituation von Neuteilen ist leider veränderlich, bitte aktuell erfragen. Bei der Suche nach
 Gebrauchtteilen kann auf ggf. andere Mercedes-Typen ähnlichen Baudatums ausgewichen werden,
 auch Limousinen. Bei Unsicherheiten beraten wir Sie gern.

The availability of new lock mechanism parts is fluctuating. When required you may luckily find
 used parts from MB-vehicles of similar production date. Don't hesitate to require advisory service.

	2x door, 1x glove box, 1x trunk	289808	€ 899,99	10	late lock mechanism RH, no prot-lock	272062	€ 457,70
10	late lock mechanism LH, w. prot-lock	272063	€ 572,25	10	Door lock,late FN+ catch, Lt.	272048	N/A
10	Door lock,late FN+ catch, RH	272049	N/A	18	lock mechanism LH, w. prot-lock	272050	€ 478,39
18	lock mechanism RH, no prot-lock	272051	€ 432,21	20	distancer 0,5mm flat , door catch '69->	872012	€ 4,76
20	Distancer, 1,5mm, door catch '69->..	572012	€ 4,75	20	Distancer, milled, ca. 1,35mm	172074	€ 35,05
20	A1007230211 Plate, R113 67->, milled	272012	N/A	272020	A1157200604 Door catch Rt. R113 late, 1	272020	N/A
272020	Door catch RH, ca. 06.'69 to 08.'85	272620	€ 107,10	272021	A1157200504 Door catch Lt. R113 late, 1	272021	N/A
272021	Door catch LH, ca. 06.'69 to 08.'85	272621	€ 107,10	272022	Door catch RT. 07.61->'67 3-hole	272022	€ 91,25
272055	Door catch Lt. R113 07.61->'67 3-hole	272055	€ 91,45	272175	A1107201504 Door catch Lt., see pict	272175	N/A
272177	A1087200304 Door locator, for repairs,	272177	N/A	272186	A1107201604 Door catch RH 250-280SL early	272186	N/A

89 Locking System

89 Locking System



Infos und Fußnoten

Einzelteile

Wie abgebildet sind Zylinder und Zylindereinzelteile der Tür- bzw. Kofferraumschlösser nicht separat erhältlich.

Bis FN (7) Einzelteile meist mit zufälliger Schließung und neuem Schlüssel („Werkstattausführung“)

Auf Wunsch können Teile passend zur fahrzeugspezifischen Schließung bestellt und angefertigt werden.

Bitte senden Sie uns dazu

- Fahrgestellnummer
- Eigentumsnachweis über das Fahrzeug
- Ihren Auftrag an uns schriftlich
- Schließnummer
- Datenkarte und/oder Schloss-Hersteller (HUF oder YMOS)

Mit mehrwöchiger Lieferzeit muss gerechnet werden, insbesondere wenn die Schließnummer ermittelt werden muss.

Ein Schlüssel zählt nicht automatisch zum Lieferumfang der Schlösser.

Ab FN (8) - Einsatz Hauptschließung: nicht alle Einzelteile in Werkstattausführung lieferbar. Die o.g. Angaben sind dann generell erforderlich.

3	Lenkschloss-Zylinder mitte (4,11), zufällige Schließung	246054
4	Lenkschloss-Zylinder spät (12), für Fzg.-Schließung	246074
5	Handschuhkastenschloss 230-250SL, 280SL früh (7)	268055
6	Handschuhkastenschloss 280SL spät (8)	868055
10	Türgriff früh (3) links, zufällige Schließung	276100
	Türgriff früh (3) rechts, zufällige Schließung	276200
11	Türgriff mitte (4,7) links, zufällige Schließung	276102
	Türgriff mitte (4,7) rechts, zufällige Schließung	276202
12	Türgriff 280SL spät (8) links, zufällige Schließung	276104
	Türgriff 280SL spät (8) rechts, zufällige Schließung	276204
15	Heckschloss mitte (2,7), zufällige Schließung	275030
16	Heckschloss 280SL spät (8), für Fzg.-Schließung	275032
20	Chrom Tankdeckel früh (7), zufällige Schließung	147010
21	Chrom Tankdeckel 280SL spät (8), für Fzg.-Schließung	147009

Schließsätze zufällige Schließung („Werkstattausführung“)

1	komplett Satz 280SL spät (12) mit Hauptschließung	289110
<i>Umrüstung ist ab 250SL (4) und 280SL möglich. Bis 280SL früh (12) passt der mitgelieferte Lenkschlosszylinder aber nicht zum Schlossgehäuse. Tips: Zyl.-Innenteile tauschen.</i>		
2	Satz Tür und Tankdeckel früh (3) nur „Fugen-Bereich“	289100

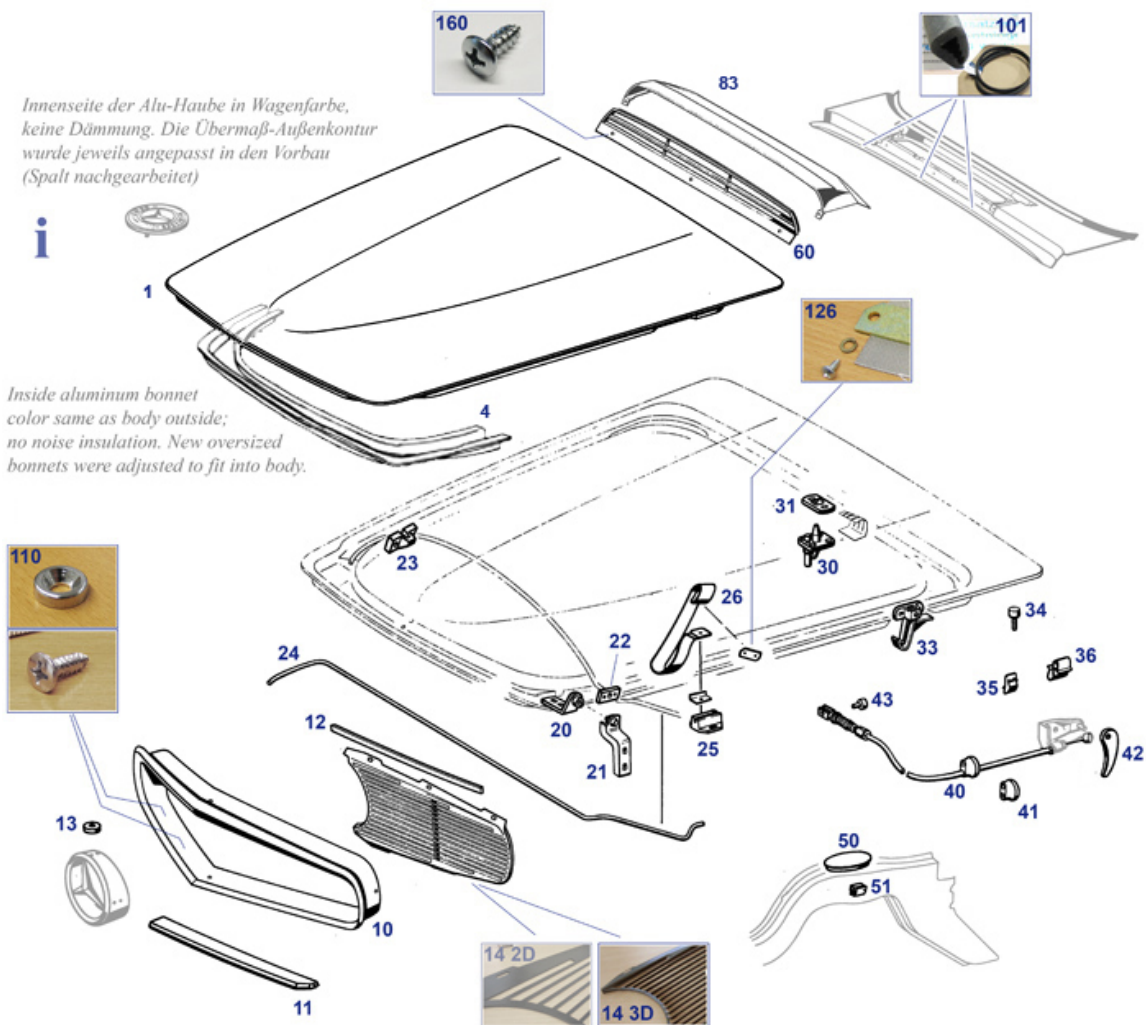
SLS Fußnoten bezogen auf standard-LHD-Fahrzeuge mit orig. Ausstattung. Ausnahmen bei Export (USA)

- (1): 230SL früh: Heckschlossgehäuse große Ausführung: Achtung: aktuelles Ersatzteil „Heckbeplankung“ hat kleine Bohrung.
- (2): 230SL ab FG ...? neu: Heckdeckelschlossgehäuse verkleinert.
- (3): 230SL, 250SL bis FG ...002979 / bis Juli 1967
- (4): 250SL ab FG ...002980 / ab Juli 1967
- (7): 280SL bis FG ...010355 / bis Mai 1969
- (8): 280SL ab FG ...010356 / ab Mai 1969
- (11): 280SL bis FG ...012689
- (12): 280SL ab FG ...012690

1	Lock set 280SL 09.69->, compl.	289110	N/A	2	A1138930003 Lock set: doors + fuel cap	289100	N/A
3	A0004600004 Lock cyl. 250/280SL, ign.lo	246054	N/A	4	A0004626630 Lock cyl. w.step,key-no! '6	246074	N/A
5	2x door, 1x glove box, 1x trunk	289808	€ 899,99	10	A11376604019999 Handle Rt., 230-250SL->	276201	N/A
10	A11376603019999 Handle Lt., 230-250SL->	276101	N/A	11	A1137660601 Handle Rt., 02980->250-280S	276202	N/A
15	A1137500084 Trunk lock, R113 i65->05.69	275030	N/A	16	Trunk lock, 280SL 010356->	275032	N/A
20	N/A Gas cap locking non-vented	147010	N/A	21	A00047147309999 Gas cap locking 280SL 0	147009	N/A
268055	A1106890001 Lock 230-280SL->010355, W10	268055	N/A	276102	A1137660501 Handle Lt., 250-280SL FN!!	276102	N/A
276104	A1137600359 Handle Lt., 280SL 010356->	276104	N/A	276200	A1137660401 Handle Rt., 230-250SL->0297	276200	N/A
276204	A1137600459 Handle Rt., 280SL 010356->	276204	N/A	868055	A1086800384 Lock, FN	868055	N/A

75, 88 Trunk, Softtop-Box, Bonnets/Lids

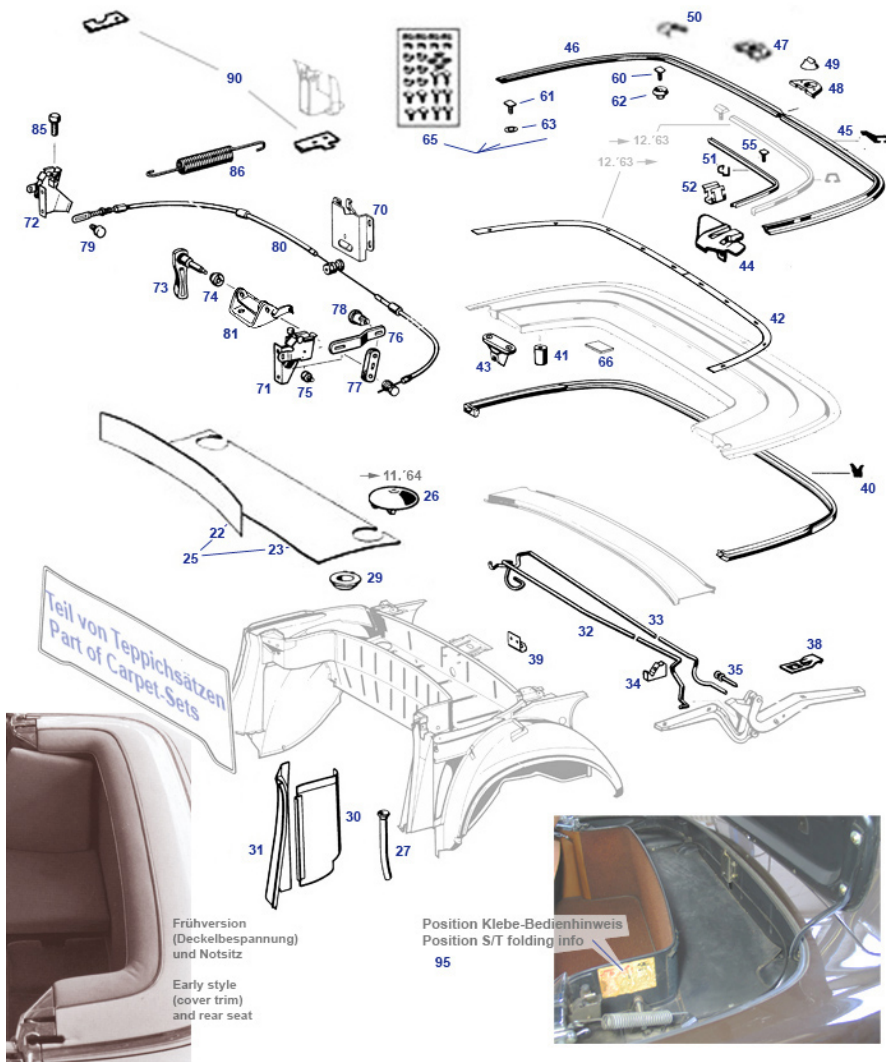
88 Engine Bonnet and Grille Garnish



	A1138170016 Emblem, star, hood / bonnet	281010	N/A		A1138800186 Star with barrel, original	288045	N/A
	Buffer M6, see 298201	298801	N/A		Washer 4,3 yellow zincd	299282	€ 0,08
	Set screws+..., grille + mesh mounting	288809	N/A		Spring washer M4 yellow zincd	299283	€ 0,08
1	Grille frame, Repro without attachments, 1 cm larger, to adjust yourse	288711 288900	€ 702,10 € 1		Hex Nut, M4	799919	€ 0,20
4	Rep.-Section bonnet frame frt, Alu	288801	€ 449,97	10	A1138800056 Engine hood(bonnet), alu.	288000	N/A
10	A1138880222 Grille frame	288011	N/A	10	This is the market-standard reproduction, recommen	288111	€ 619,86
11	Dec. Strip, grille, Rt., Repro	288044	€ 239,99	11	Hex nut M5, zincd	299919	€ 0,18
11	Bolt M5/hex8, frt grille mouldings	288049	€ 0,32	11	Dec. Strip, grille, Lt. Repro	288033	€ 239,99
11	N304017005006 N304017005006	288017	N/A	11	Washer,waved shape,M5, zincd	142904	€ 0,25
12	Screw, stri			11	Pair dec. chrome rails in front grille, repro	288834	€ 279,65
12	Pad, rear compt.fr.wall	268194	€ 13,45	13	Washer, Star/frame	288047	€ 0,55
13	Bolt M5x10,i.e. Star->Frame, industrial chrome fin	288048	€ 1,45	13	Shim, canister to surround	188072	€ 8,90
14	Metal screw 4,2x13 SW7 N007976004203	299044	€ 0,44	14	1 Pair grille mesh, steel	288755	N/A
14	Radiator mesh, similar 1138800485, RH	288066	€ 264,44	14	Radiator mesh, similar 1138800385, LH	288055	€ 264,44
14	Washer, e.g. screws @ mesh	299045	€ 0,21	20	Support,hood,inner, left	288030	€ 28,64
20	Support,hood,inner, Rt.	288040	€ 29,39	21	Support, hood, outer, Lt.	288010	€ 28,64
21	Screw M6 e.g. Bonnet hinges	299289	€ 0,38	21	Support, hood, outer, Rt.	288020	€ 28,64

22	Plate, hood support rod, left	288805	€ 13,65	22	Screw M5 e.g. Bonnet spring brackets	299287	€ 0,50
23	Plate, hood spring rt	288806	€ 12,45	23	Plate, hood spring rt	288706	€ 14,99
24	Torsion bar, hood	288725	€ 105,90	24	Rubber sleeve	243859	€ 2,38
25	Bracket, black rubber reproduction	288707	€ 15,67	25	Bracket, hood support rod	288807	€ 16,60
30	Screw, countersunk, M6 e.g. bonnet lock	299285	€ 0,44	30	Bonnet catch, short neck, steel	588012	€ 399,92
30	Bonnet catch, long neck	388002	€ 408,88	30	Hood catch, lower, short neck / Alu	288002	€ 408,88
31	Spring washer A6 zinc plated	299127	€ 0,21	31	Screw M6x18 e.g. Filter box 190SL,bonnets, ..	109024	€ 0,38
31	Hood catch, upper	288001	€ 23,40	31	washer M6, yellow zincd	299125	€ 0,21
33	pay attention to usability before assembly (may be	288831	€ 39,87	33	see 288831	288031	N/A
33	Screw M5 e.g. safety hook @ bonnet	299286	€ 0,26	33	Spring washer M5	299325	€ 0,11
34	Hex Nut M6 flat shaped	299291	€ 0,37	35	clip, e.g. wire fixture 190SL, R113, R/C107	254874	€ 1,50
36	A0019889878 Clip, hood release	288028	N/A	40	A1138800459 Cable,hood release, RHD	288024	N/A
40	Hood Release Cable (LHD) A1138800759	288004	€ 33,50	41	Rubber grommet 3 way, bonnet cable	298778	€ 3,55
42	handle, opener, bonnet	288015	€ 3,87	43	N918001005001 Bolt w. locking clips	188032	N/A
50	Cover, front subframe mount	268010	€ 11,90	51	Clip,cover	268009	€ 1,74
60	A1138300018 Grille, chrome, air intake	283020	N/A	60	Chrome Air intake ornamental mesh, Repr	283720	€ 731,22
83	Screw, R/C107, R113	272724	€ 0,51	83	Screw	799931	€ 0,24
83	Panel screw, lens head 3,5x13 vent hood	283031	€ 0,18	83	A1138300076 see Repr: 283820	283120	N/A
83	hood above air duct grille, Repr doesn't meet gen	283820	€ 175,77	101	protection rubber, 1 Meter, div purpose	398012	€ 13,01
110	Screw @ front grille	188071	€ 1,90	110	Washer, chrome, high shape, fits up to 4mm screws	288013	€ 2,99
110	Screw @ front grille, hi gloss chromed	188171	€ 1,61	126	bonnet strap mounting plates, 1 pair	288824	€ 11,50

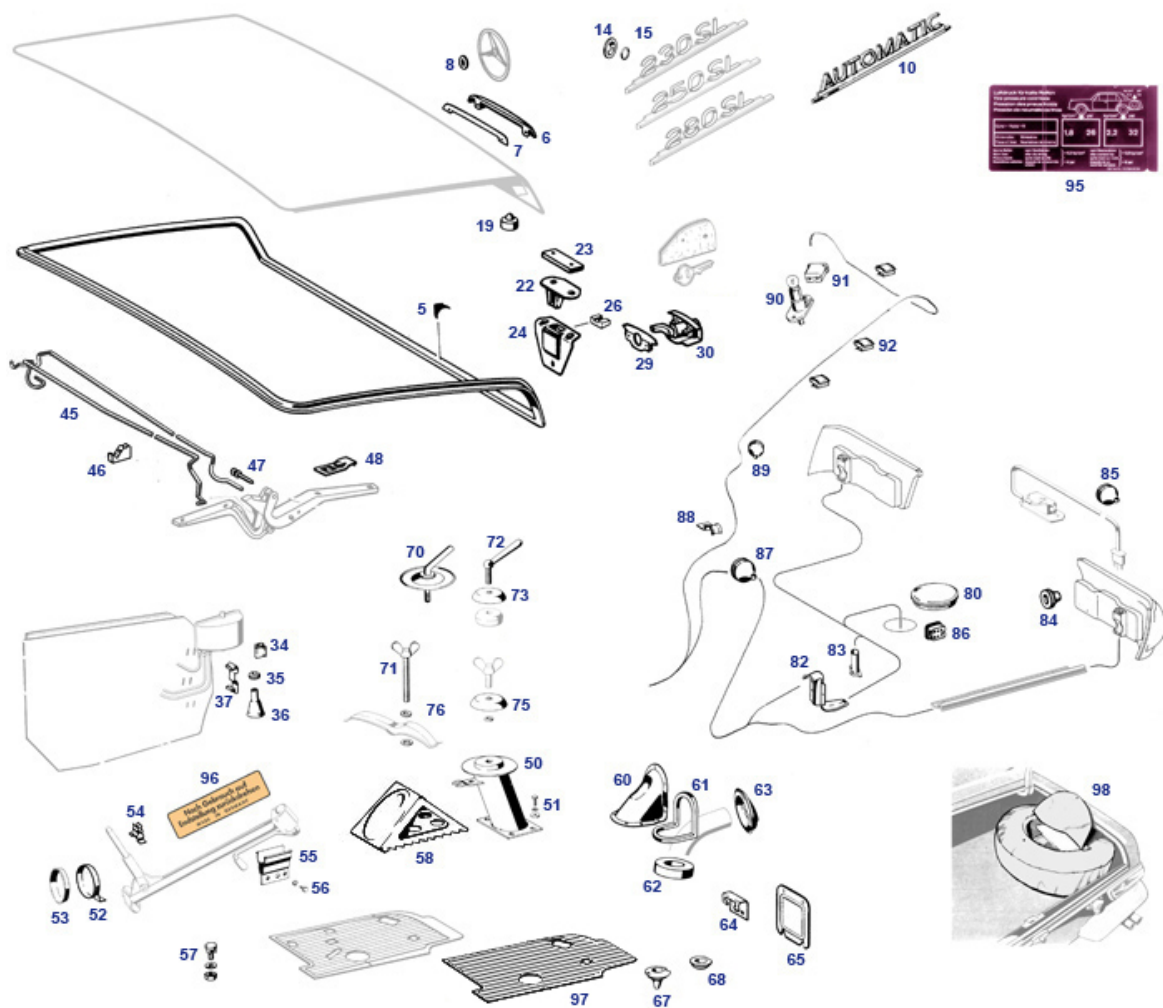
75.c Softtop Box



	Spring washer M6	142158	€ 0,15		Buffer M6, see 298201	298801	N/A
	Clip nut, trunk hood	175015	€ 19,75		washer, cutted, replace into 799915	277245	N/A
	Spring clip nut, 4,2, e.g. wing 107,..	299028	€ 0,33		A1164200685 Brake cable W116	642101	N/A
	Mounting bits, S/T box trims	275851	N/A		SEL fr.		
1	A1137500375 Soft top lid	275100	N/A	22	Countersunk screw, lock frame, zinc plated	275265	€ 0,39
23	Insulation lower box cover	268193	€ 80,63	25	Pad, rear compt.fr.wall	268194	€ 13,45
26	A1116838036 Cap, floor, rear compartment	268040	N/A	27	2 pcs. softtop box damping, simple quality	268893	€ 58,55
29	Rubber plug 32mm	398780	€ 1,44	27	Run-off / drip hose, S/T compartment	279032	€ 11,25
30	Cover plate , rear, Rt.	269180	€ 174,99	30	Cover plate , rear, left	269170	€ 174,99
31	Raw blank inner cover B-pillar RH	269166	€ 155,00	30	Screw 4.2 e.g. at 298043	299278	€ 0,38
31	Screw (sill to wheel arch)	288133	€ 0,50	31	Escutcheon fitting panelling screws diam 3,9	267014	€ 0,89
32	A1137580226 spring, torsion, boot lid	277229	N/A	31	Raw blank inner cover B-pillar LH	269165	€ 155,00
32	1 pair torsion springs, both rear lids	277829	€ 189,00	32	A1137580326 Torsion bar, lid hinge	277227	N/A
35	Bolt	277241	€ 48,66	34	Support, torsion bars	277239	€ 15,95
39	Haltewinkel bei Verdeckkasteneinbau	264751	€ 34,51	38	washer, 6,4 e.g. boot hinge	175005	€ 0,36
40	Seal, box cover, non genuine	275860	€ 76,23	40	Seal, 230-280SL @ soft top lid OEM Quality	275060	€ 178,50
41	Rubber buffer, hood shelf, R113	298043	€ 4,88	40	Seal, 4-Seat-113, body underneath hardtop	275864	€ 898,99
43	Screw, Phillips M6, e.g. locks upper lock upper part, ref.No.	299275	€ 0,44	42	Hidden rail in upholstery '64->, bulky	277235	€ 152,92
43	lock upper part, ref.No.	277223	€ 116,00	43	Washer 6.4 large, yellow zined	299276	€ 0,18
				43	Locking spring washer	299277	€ 0,21

	A1137500585						
44	Chrome cap B-pillar left 230SL up to 02.1966	269829	€ 243,95	44	Chrome cap B-pillar RH 230SL up to 02.1966	269839	€ 243,95
44	Screw, stainless, fits 269230/240	269842	€ 1,19	44	Chrome Cap B-pillar RT from 03.'66	269840	€ 285,66
44	Chrome cap B-pillar left, from 03.'66	269830	€ 285,66	44	Flat headed screw M4x7 chrome	269243	€ 0,19
44	square nut, b-pillar cap	269241	€ 10,77	45	A0019876125 1m profile, e.g. trims @ s-t-box-lid	275455	N/A
45	Chrome strip, inner, Lt.	275300	€ 504,39	46	Chrome strip, inner, Rt.	275400	€ 504,39
47	Chrome escutcheon 230SL ->008115	275044	€ 83,90	47	Chrome escutcheon 230SL ->008115	275844	€ 69,02
48	Washer for 299034	299038	€ 0,12	48	Rubber washer, rear compt.	299036	€ 0,26
48	Nut	299035	€ 0,17	48	Escutcheon, chrome, rear, m	275845	€ 69,02
48	Escutcheon, chrome, rear, m	275045	€ 74,55	49	Seal, escutcheon rear S/T lock pin	279035	€ 8,69
50	Chrome cover for trim strip	275350	€ 95,90	51	Chrome strip, inner, Rt.	277400	€ 277,98
51	A1137580181 Chrome strip, inner, Lt.	277300	€ 277,98	52	Clip, st-box-chrome strips	298178	€ 3,45
52	Clip, hood boot cover strips (front trim)	298678	€ 1,01	60	Screw, square head, similar 1139900033	299034	€ 4,17
61	Screw, square head, dec. strip	299033	€ 5,14	70	Lock, lower part, ctre softtop rr catch	277228	€ 262,56
70	Hex nut M6, yellow zinc.	181023	€ 0,18	70	Washer 6,5 x 13	799915	€ 0,17
70	Pin	277238	€ 7,08	70	Locking washer M6	299273	€ 0,21
70	Spring, rear softtop lock	277234	€ 21,85	71	Lock, lower part, Lt.	277221	N/A
71	Hex Bolt M6 x 10 yellow zined	299997	€ 0,35	72	Lock, lower part, Rt.	277222	N/A
73	Chrome handle, top + ST-boot opening	277224	€ 214,90	74	Spacer washer,chrome lever	277237	€ 23,50
76	Schubstange am Deckelzug	277226	€ 88,05	77	Lever, control rod	277230	€ 33,65
78	Pin @ link, incl screw+shim	277236	€ 55,14	80	Clamp 5mm e.g. brake lines	143038	€ 0,50
80	Seilzug f. Verdeckkastendeckel	277825	€ 89,99	80	Screw 3,9	299279	€ 0,27
80	Clamp e.g. 6mm lines, wiring, ..	398047	€ 0,13	80	Cable, soft top hatch	277225	€ 149,99
81	Screw M6 e.g. Bonnet hinges	299289	€ 0,38	81	Support, lid opener wire linkage	277248	€ 274,89
85	Hex Nut M6 flat shaped	299291	€ 0,37	86	Compensating spring, left/right	272221	€ 24,10
90	Screw engine mount rear	222025	€ 0,80	90	see 277251 or 277252	277249	N/A
90	Grip washer M8	299274	€ 0,29	95	Label set, 9 piece, self adh.	299950	€ 30,64

75.6 Boot Lid and Trunk Equipment



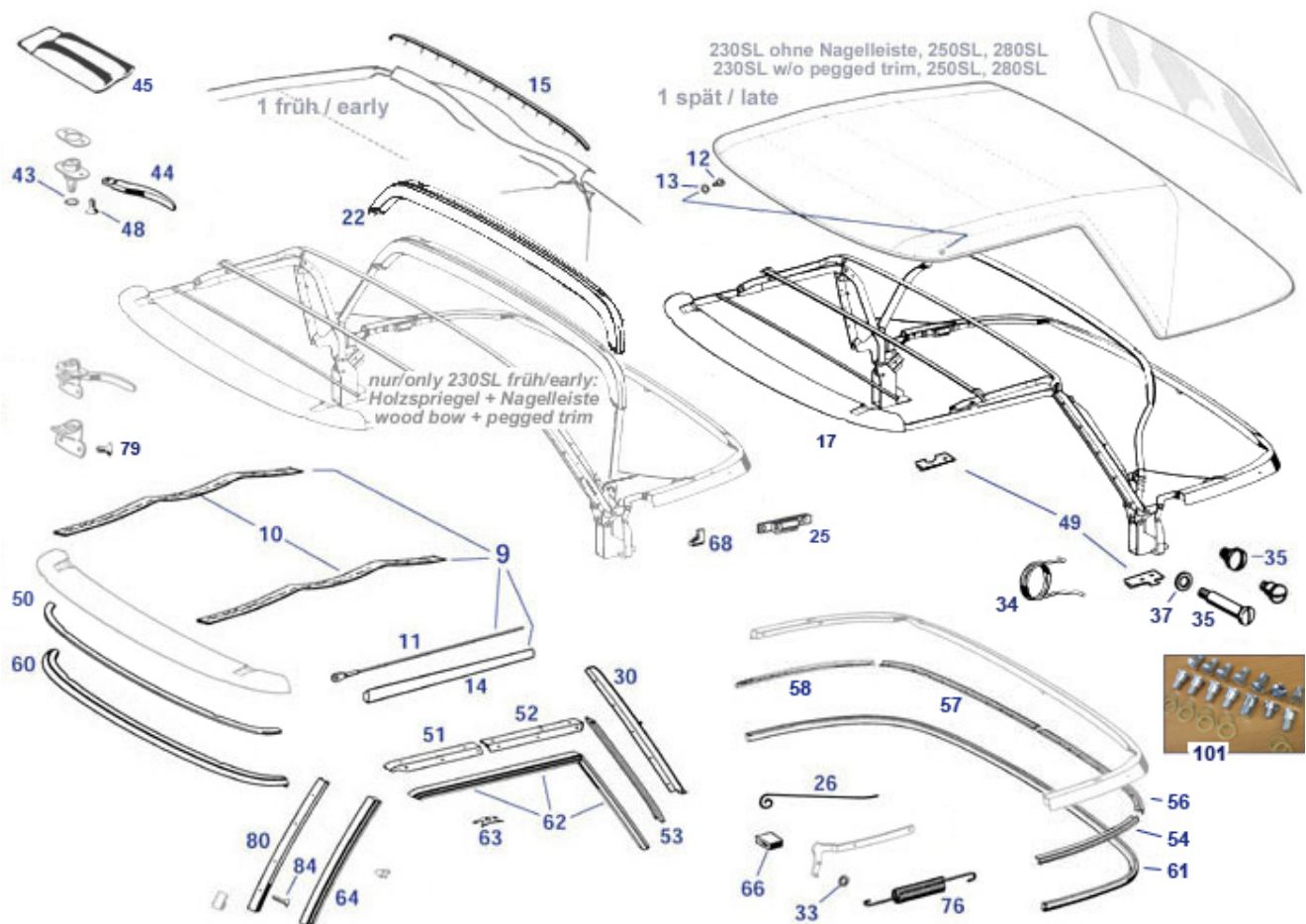
	A1137580058 Mercedes star, trunk lid	275020	N/A		Filler grommet Repro, quality see pict.	247011	N/A
	A1119900257 Milled nut, rear lamp assem	282155	N/A		A1116838036 Cap, floor, rear compartment	268040	N/A
1	A1137500475 Rear lid, trunk/boot	275000	N/A	5	Seal, 230-280SL trunk lid	275005	€ 184,99
5	Trunk seal 230-280SL repro	275805	€ 60,43	6	Spring washer M5	299325	€ 0,11
6	Bolt M5x10,i.e. Star->Frame, industrial chrome fin	288048	€ 1,45	6	Handle, chrome, trunk lid	275010	€ 160,00
7	N/A ! A1087580105 rubber, trunk handle	275811	N/A	7	Rbr underlay,boot lid handle 113,111,10	275011	€ 7,82
8	Rubber washer	175012	€ 1,11	8	Washer 8,4mm, standard, yellow zincd	299326	€ 0,39
8	galvanized M8 Nut N004032008005	222026	€ 0,21	10	Type designation: Automatic	281025	€ 100,00
11	Type designation: 230SL	281020	N/A	12	Type designation: 250SL	281021	€ 145,00
13	Type designation: 280SL	281022	N/A	14	Clip, 'Automatic'	281024	€ 0,20
14	Clip, inner diam. 3.5mm, fits pins 4mm	281026	€ 1,18	15	O-Ring blk rubber, eg Type signs	281027	€ 0,13
19	Rubber buffer, trunk lid	298042	€ 1,87	19	Rubber buffer, trunk	298044	€ 1,01
22	A1137500185 Lock, trunk upper part	275036	N/A	22	Countersunk screw, lock frame, chrome plated	277265	€ 1,26
22	Bolt M6 x 14, Phillips	977021	€ 0,36	23	A1167500011 Plate ,trunk lock	275035	N/A
23	shim 1mm, catch underlay, height adjustment	375039	€ 8,01	24	Cage nut M6, e.g. seat rail support	299942	N/A
24	A0009909991 fixed nut	275039	N/A	24	Countersunk screw, lock frame, zinc plated	275265	€ 0,39
24	A1137500285 Lock, trunk lower part	275037	N/A	26	Buffer, trunk lid catch,fits casted bod	775138	€ 3,00
29	Collar nut M5 locking, e.g. trunk	299336	€ 0,46	29	Underlay rubber, trunk lock	275831	€ 11,06

	lock						
30	A11375000849999	275033	N/A	30	fits Trunk lock, R113 !65->05.69	275830	€ 189,21
30	A1137500084 Trunk lock, R113 !65->05.69	275030	N/A	30	Trunk lock, 280SL 010356->	275032	N/A
34	Clip, cable	254073	€ 1,09	34	A0039888178 Clip, expansion tank	247067	N/A
34	A1149880178 Pipe clip	247063	N/A	35	Grommet, 4,5/10mm, cable@wheelarch	182005	€ 2,53
36	Sleeve, tank ventilation	247079	€ 7,95	36	Grommet, tank vent pipe through carbody	147070	€ 6,52
37	Clamp, expansion tank 6mm/9mm	247069	€ 9,70	37	Clip,tank ventilating pipe	247055	€ 17,30
45	1 pair torsion springs, both rear lids	277829	€ 189,00	46	Washer, e.g. screws @ mesh	299045	€ 0,21
46	Hex nut M5, zincd	299919	€ 0,18	47	Bolt	277241	€ 48,66
48	Clip nut, trunk hood	175015	€ 19,75	48	washer, 6,4 e.g. boot hinge	175005	€ 0,36
48	Screw M6 e.g. Bonnet hinges	299289	€ 0,38	50	Spare wheel holder	240015	€ 463,60
51	Washer 6.4 large, yellow zincd	299276	€ 0,18	51	Screw M6x18 e.g. Filter box 190SL,bonnets, ..	109024	€ 0,38
51	Spring washer, fits M6	181028	€ 0,18	52	A1138900010 cop, trunk, for jack storage	264053	N/A
53	Rubber pan, jack storage support (foot)	259998	€ 18,21	54	Lug wrench holder	164041	€ 15,33
55	Bracket, large, Jack @ Boot floor	264054	€ 133,15	56	Panelling screw 5,5 x 16 (hex head 8mm)	288059	€ 0,60
56	panelling screw Hex8, e.g. bumper 12 ftr / 26 rr	799938	€ 0,32	57	Clamping Bolt M6 for square bodypanel holes	188036	€ 8,45
58	Safety wedge f.tyre service	258110	€ 286,20	58	Wing nut M8, e.g. wheel shoe @ support	258111	€ 1,57
60	Tapping screw Phillips 4,2x9,5	799936	€ 0,15	60	Cover plate, filler neck	269020	€ 31,77
61	Edge protection profile mtr, eg trunk	269010	€ 3,80	61	16 m sealing compound strip 3mm black	699996	€ 10,59
61	sealing strip, see 199995, 699995	299995	N/A	62	Sealing ring, filler neck->boot cover, rear panel, inner	269030	€ 7,13
64	Bracket, inner rear panel	264750	€ 35,69	65	Rbr plug 17,5mm	269033	€ 48,52
67	Grommet 4/20mm, 1 hole, drain	399009	€ 1,71	68	Rubber plug, 20mm	398995	€ 1,17
68	Plug, 32mm, e.g. boot, ..Repro	268309	€ 0,70	68	Wing screw 230SL FN	298780	€ 0,94
70	A1158900014 Screwplate with offset lev	240014	€ 240,00	71	Plate, spare tyre screw	240006	€ 42,53
72	Cone handle screw, horiz.spare tyre	240018	€ 115,00	75	A0009872141 Wing screw rubber washer	240019	€ 65,55
76	A3269900740 Washer, wing screw	240009	€ 16,54	76	Cover above fuel sender, rubber version	240017	N/A
80	round cover above fuel sender,Repro	247814	€ 5,20	80	Covering rail, wiring in boot	147016	€ 14,02
80	Cover above fuel sender, plastic,black	347014	€ 7,79	81	A1085460085 Cable protective sleeve	269155	N/A
82	Covering, wire in trunk	269154	N/A	83	Milled M5 nut, plastic, white	254147	N/A
83	Protection tube, ref.-No. A1085460185	254146	N/A	84	Grommet 6/26	282655	€ 7,04
84	Milled M5 nut, plastic w insert	282855	€ 3,30	85	Rubber grommet	299819	€ 3,15
86	A0145458528, 4-pole housing, replaced MB-design	254079	N/A	87	Screw	299005	€ 2,59
88	Clamp e.g. 6mm lines, wiring, ..	398047	€ 0,13	88	A0008210252 Door switch, version flat poles	799931	€ 0,24
89	A1119970281	298783	N/A	90	Trunk(boot) light and switch '59-'85	182021	€ 28,98
90	Bulb, e.g. trunk light	282033	€ 2,50	90	N/A ! A1135840039 Gummed label,'Tyre pressure	282022	€ 40,58
92	Spring clip for Rt.+Lt. cable	254071	€ 0,83	95	Rubber mat, boot, RT, black reproductio	299951	N/A
96	Label set, 9 piece, self adh.	299950	€ 30,64	97	Rubber mat trunk early / wheel standing	268400	€ 23,18
97	Rubbermat trunk from VIN, B-quality,res	268700	€ 284,29	97	Vinyl covering, spare tyre (horiz-lev)	268701	€ 387,35
98	Tool bag without tools	258806	€ 48,79	98	Right Trunk Cover Paper Board+foam	289889	€ 221,99
610	Left Trunk Cover Paper Board+foam	268611	€ 88,88	610		268610	€ 88,88

77, 79 Softtop & Hardtop

77.a, Softtop frame and equipment

77.a, Softtop frame and equipment

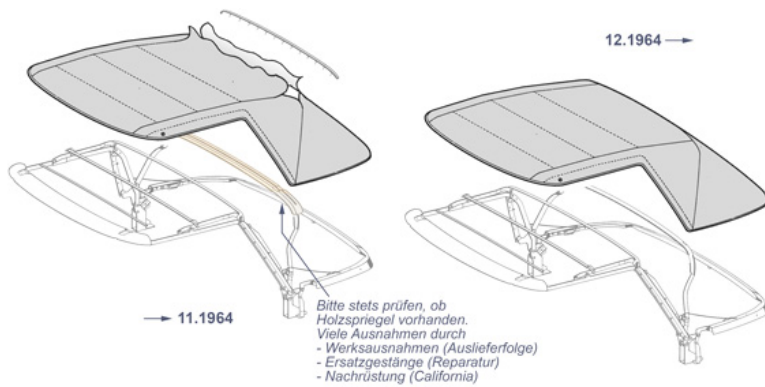


	272829	€ 2,56	A1137790128 W'strip, rear bow, Lt., 277023	N/A
	277024	N/A	A1137790328 Moulding f. rubberstrip rr.	N/A
	277011	N/A	W'strip, rear bow, Rt., inner	N/A
	277008	N/A	A1137701149 Support railbow	N/A
	277004	N/A	230SL 01935	N/A
	277015	N/A	A1137770210 Rear glass, clear, FN	N/A
	277254	€ 19,50	Seilzug f. Verdeckkastendeckel	€ 89,99
	275265	€ 0,39	Processing by experienced specialist is strongly r	N/A
	276771	€ 41,65	spacer for softtop frame for height	€ 22,14
10	276702	N/A	balance	
10	777890	€ 39,98	Set strap belts f.softtop, beige, R113 & W107	€ 71,39
10	277052	€ 1,79	Set strap belts f.softtop, black, R113	€ 44,63
11	277106	€ 36,10	1 pair wires, S/T above side-window, like original	€ 24,00
12			Chrome screw M4, e.g. wire at canvas	€ 3,42
14			damping strip f.softtop fabric, L or R fitting, OE	€ 31,74
14			shape imprecise, rubbermix little too hard	

15	ledge soft top chrome trim, 230SL early frames	277800	€ 245,00	15	A1137790064 Ledge, soft top, chrome	277100	N/A
17	Softtop frame, Repro	277710	€ 5.950,00	17	A1137700702 Top frame, FN	277210	N/A
22	Wood bow 230SL ->07640 + FN !!	277037	€ 322,00	25	Top catch, FN ,left	277033	€ 177,91
25	Top catch, FN , Right	277022	€ 177,91	26	Hold-off wire 230 SL	277811	€ 25,59
30	A1137700334 Softtop holding rail, Lt.	272023	€ 359,36	30	A1137700434 Softtop holding rail, Rt.	272024	€ 359,36
31	A1137701814 Bracket @ ST, 280SL 003229-	277060	N/A	31	A1137701714 Bracket, soft top, Lt., FN	277050	N/A
33	A1139910140 NI Distance sleeve	277014	N/A	34	Coil spring S/T hinge LH	277833	€ 46,99
34	Coil spring S/T hinge RH	277834	€ 39,00	35	Bolt at softtop frame 2x req	298025	€ 21,21
35	Bolt, Softtop frame, see pict.	298026	€ 14,10	35	Rep-Idea: Frame bolt M10 fine	298033	€ 8,22
35	S/T Frame Bolt Ctr-sunk + cyl	298024	€ 7,46	35	Bolt at softtop frame 2x req	298023	€ 7,97
35	Bolt at softtop frame, 8x req. M8X1	298022	€ 7,32	37	Washer, hood frame hinge	277019	€ 3,69
37	A1139901040 Washer, brass	277013	N/A	40	Lock, soft top or hardtop LH	277010	€ 235,14
40	Lock, softtop or hardtop, RH	277020	€ 235,14	42	Aluminium, 1mm	277815	€ 4,02
43	Buffer ring on lock	277018	€ 2,65	44	not usable for 107-Hardtop later than 09.'81	277046	€ 167,00
44	Chrome handle, Generation II (67-69)	277845	€ 91,99	44	Chrome handle, gen.II (67-69)	277045	€ 174,99
45	leatherbag for chrome handle cognac	258804	€ 28,62	45	A1137760186 Bag for soft-top locking ha	277044	N/A
45	leatherbag for chrome handle red	258803	€ 28,62	45	leatherbag for chrome handle black e.g. roof frame frt locks	258802	€ 28,62
48	Countersunk screw, lock frame, chrome plated	277265	€ 1,26	48		277267	€ 7,46
49	see 277251 or 277252	277249	N/A	50	countersunk head tapping screw 3,5X13, sealing rai	277273	€ 0,13
50	Mounting channel for S/T front rubber seal	277038	€ 493,85	51	Chrome profile upper frt RH	272026	€ 458,19
51	Chrome profile upper frt LH	272025	€ 458,19	51	Countersunk screw, rail/frame, M4x12	277027	€ 0,49
52	Chrome profile upper ctre LH	272027	€ 585,00	52	Chrome profile upper ctre RH	272028	€ 585,00
53	Chrome profile rear RH	272032	€ 519,99	53	Chrome profile rear LH	272029	€ 519,99
54	Seal holder profile, S/T LH- sideways	277723	€ 190,00	54	Screw 3,5 x 9,5, see picture	288081	€ 0,32
56	Seal holder profile, S/T LH-rear	277725	€ 205,99	57	Seal holder profile, S/T RH-rear	277726	€ 205,99
58	Seal holder profile, S/T RH- sideways	277724	€ 190,00	60	Seal, hard/soft top to body, front	279410	€ 53,55
60	Seal, hard/soft top to body, front	279810	€ 53,80	60	Seal, hard/soft top to body, front OEM Quality	279010	€ 63,83
61	panelling screw, phillips, chromed	268133	€ 1,32	61	countersunk washer fits e.g. screws 2,9	199021	€ 0,51
62	Seal, side window Rt. ST / HT	272210	€ 41,65	62	Seal, side window Lt. ST / HT	272215	€ 41,65
62	Seal, side window left ST / HT	272715	€ 21,97	62	Seal, side window Rt. ST / HT	272218	€ 21,97
63	Clip, rbr-profile to rails	272729	€ 2,56	64	Seal, A-pillar, left/right side, needs to be cutte	272220	€ 25,88
64	Seal, A-pillar, L or R, needs t.b.cutte	272228	€ 13,47	66	Rubber buffer @ soft top, Lt.	272285	€ 38,85
66	Rubber buffer @ soft top, Rt.	272286	€ 38,85	68	Grommet, softtop frame	777096	€ 2,73
75	A1137700264 Cylinder holder, unchromed	277264	N/A	76	Compensating spring, left/right	272221	€ 24,10
79	e.g. roof lock latch to w-screen frame	277266	€ 7,46	80	Chrome rail, A-pillar, Rt.	272726	€ 382,61
80	Weatherstrip seal holder, Lt.	272725	€ 382,61	81	A1137250141 Clip, rail, Lt./Rt.	272722	N/A

77.b, Softtop/Verdeck Stoffbezug

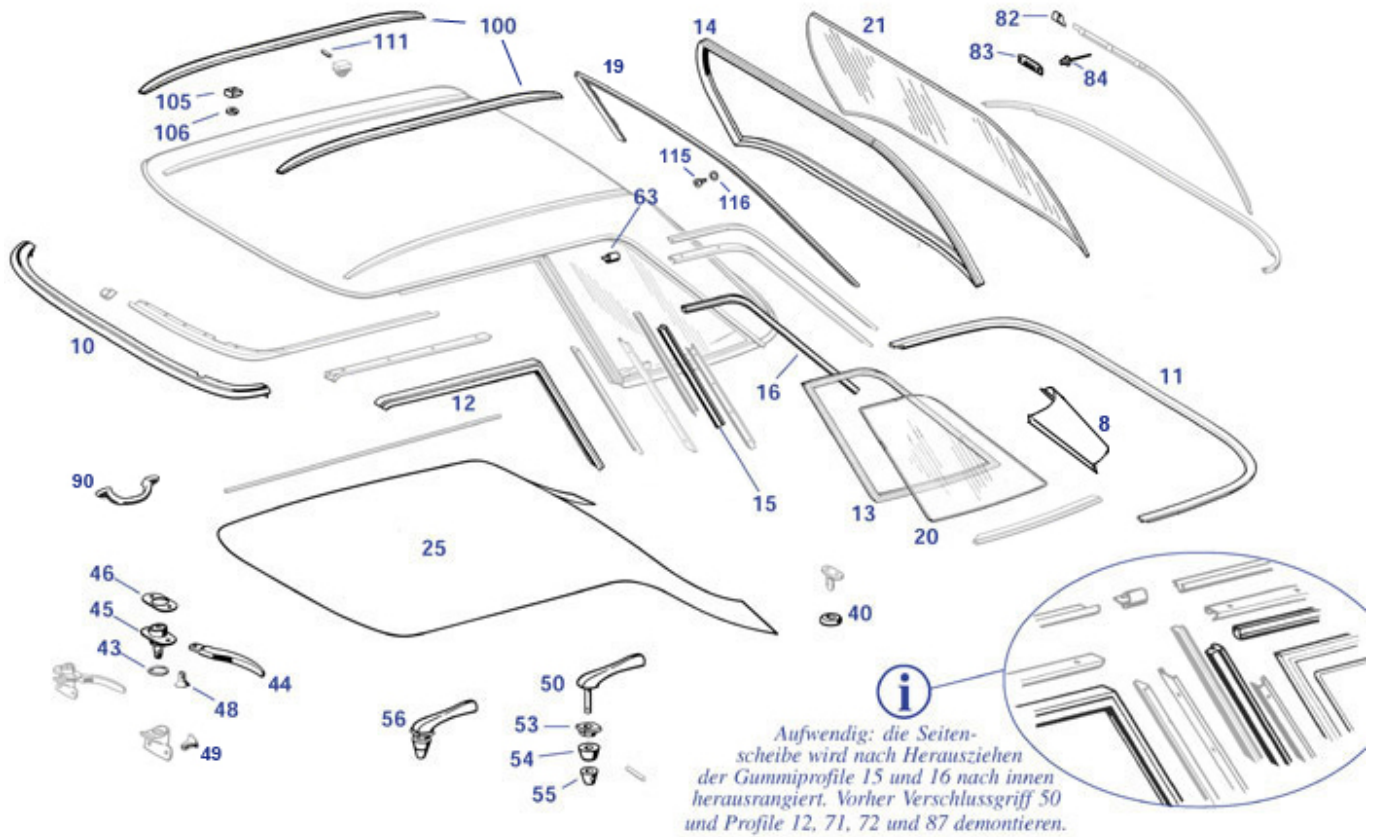
77.b, Softtop/Verdeck Stoffbezug



	INFO - NO BASKET BUTTON: For 276582	€ 899,99		Set strap belts f.softtop, black, 276771	€ 41,65
	the installation of t			R113 & W107	
	Set strap belts f.softtop, beige, 276772	€ 71,39	1	INFO - NO BASKET BUTTON: For 276302	€ 799,99
1	INFO - NO BASKET BUTTON: For 277000	€ 844,90	1	the installation of t	
1	INFO - NO BASKET BUTTON: For 276301	€ 799,99	1	INFO - NO BASKET BUTTON: For 276501	€ 899,99
1	INFO - NO BASKET BUTTON: For 276307	€ 773,50	1	the installation of t	
1	INFO - NO BASKET BUTTON: For 276304	N/A	1	INFO - NO BASKET BUTTON: For 276308	€ 773,50
1	INFO - NO BASKET BUTTON: For 276306	€ 773,50	1	INFO - NO BASKET BUTTON: For 276303	€ 749,70
2	INFO - NO BASKET BUTTON: For 276325	€ 773,49	2	the installation of t	
2	INFO - NO BASKET BUTTON: For 276520	€ 399,00	2	INFO - NO BASKET BUTTON: For 276305	€ 773,50
2	INFO - NO BASKET BUTTON: For 276324	€ 773,49	2	the installation of t	
2	INFO - NO BASKET BUTTON: For 276321	€ 749,70	2	INFO - NO BASKET BUTTON: For 276500	€
3	INFO - NO BASKET BUTTON: For 276530	€	3	the installation of t	1.050,00
3	INFO - NO BASKET BUTTON: For 276980	€ 635,46	4	INFO - NO BASKET BUTTON: For 276502	€ 899,99
4	INFO - NO BASKET BUTTON: For 276590	€ 999,99	4	the installation of t	€ 899,99
	the installation of t			INFO - NO BASKET BUTTON: For 276531	€ 899,99
				the installation of t	€ 749,70
				INFO - NO BASKET BUTTON: For 276323	€ 749,70
				INFO - NO BASKET BUTTON: For 276522	€ 899,99
				the installation of t	€ 899,99
				INFO - NO BASKET BUTTON: For 276531	€ 899,99
				the installation of t	€ 1.050,00
				INFO - NO BASKET BUTTON: For 276390	€ 749,70
				the installation of t	€ 749,70
				INFO - NO BASKET BUTTON: For 276640	€
				the installation of t	1.100,75

79 Hardtop

79 Hardtop



	Counter sunk shim fits screws up to 3mm	872890	€ 0,60		Countersunk screw, lock frame, zinc plated	275265	€ 0,39
	Headliner, white, R113 Hardtop, vinyl	279004	N/A		A11379001507020 Headliner, grey	279003	N/A
	A1136980381 Dec. strip, roof, side, Lt.	269001	N/A		Countersunk screw, lock frame, chrome plated	277265	€ 1,26
	A1137700264 Cylinder holder, unchromed	277264	N/A		e.g. roof frame frt locks	277267	€ 7,46
	Counter sunk screw, e.g. HT wood trim	279013	N/A		Self tapping screw, zinc plated	999981	€ 0,24
	panelling screw, phillips, chromed	268133	€ 1,32		A1136980481 Dec. strip, roof, side, Rt.	269002	N/A
	Rubber buffer 5mm,121,113,10	298066	€ 0,89		Counter sunk shim fits screws up to 3mm	M872990	€ 1,19
8	Patch panel hardtop rr pillar LH	279130	€ 97,02	8	Patch panel Hardtop rear pillar LH	279140	€ 97,02
10	Seal, hard/soft top to body, front	279810	€ 53,80	10	Seal, hard/soft top to body, front OEM Quality	279010	€ 63,83
11	Seal, 4-Seat-113, body underneath hardtop	275864	€ 898,99	11	Lower Hardtop-Seal (near OE-Quality) A1137900083	279100	€ 265,00
11	Rear lower Hardtop rubber, Repro "ÜROPARTS"	279800	€ 91,43	12	Seal, side window Rt. ST / HT	272210	€ 41,65
12	Seal, side window Rt. ST / HT	272218	€ 21,97	12	Seal, side window left ST / HT	272715	€ 21,97
12	Seal, side window Lt. ST / HT	272215	€ 41,65	13	Seal, H/T side window, referring 1136700139 = L	279050	€ 76,15
13	Seal, H/T side window, referring 1136700239 = R	279040	€ 76,15	14	Rubber seal rear glass hard-top	279830	€ 94,15
15	1m Seal, B-pillar, Lt./RH	279854	€ 22,63	16	1m Seal, hardtop triangular window L+R	279055	€ 6,95

19	Wood for hardtop, holes have to be adjusted	279031	€ 469,99	20	Triangular window,Lt.,clear	269300	€ 129,00
20	Triang.window,Rt.,green tone	269410	€ 160,00	20	Triangular window,Rt.,clear	269400	€ 129,00
20	Triang.window,Lt.,green tone	269310	€ 160,00	21	W/S glasstrasp. incl. box(Germany)	967999	€ 121,25
21	Rear window H/T, clear	269000	€ 207,49	21	Rear window H/T, green	269610	€ 272,89
25	HT-headliner, grey Vinyl with roof sticks	279804	€ 269,00	25	Wire set.	279805	€ 49,88
25	HT-headliner 113, creme Vinyl	279504	€ 260,00	40	Rubber ring, hardtop rr.spigot	279012	€ 13,74
40	A1137950145 hook, centre, HT rear	279145	N/A	42	leatherbag for chrome handle black	258802	€ 28,62
42	leatherbag for chrome handle cognac	258804	€ 28,62	42	leatherbag for chrome handle red	258803	€ 28,62
43	Buffer ring on lock	277018	€ 2,65	44	Chrome handle, Generation II (67-69)	277845	€ 91,99
44	Chrome handle, gen.II (67-69)	277045	€ 174,99	44	not usable for 107-Hardtop later than 09.'81	277046	€ 167,00
45	Lock, soft top or hardtop LH	277010	€ 235,14	45	Lock, softtop or hardtop, RH	277020	€ 235,14
46	A1137760382 see 277815	277015	N/A	49	e.g. roof lock latch to w-screen frame	277266	€ 7,46
50	comments: shaft fitment may be incorrect	279610	€ 199,19	50	comments: shaft fitment may be incorrect	279510	€ 180,25
53	Chrome dec. ring HT closure	279550	€ 71,72	54	Spacer ring,hard top handle	277796	€ 5,24
55	Prt. cap,hard top handle	277795	€ 9,65	56	set H/T chrome handle, Rt.	279600	€ 435,00
56	set H/T chrome handle, Lt.	279500	€ 435,00	59	A1139920401	277798	N/A
59	A1139910080	277797	N/A	59	Set mounting bits at HT lock handle	279555	€ 103,99
60	A1136900201 Rail, drip, front, Rt.	269004	N/A	60	A1136900101 Rail, drip, front, Lt.	269003	N/A
61	Joiner. Drip strip	269045	€ 90,50	62	A1136980601 Rail, drip,triang. window,R	269018	N/A
62	A1136980501 Rail, drip,triang. window,	269015	N/A	63	Joiner,triang.window drip	269054	€ 77,35
70	A1137900165 Profile, HT side window, Lt	279005	N/A	70	A1137900265 Profile, HT side window, Rt	279006	N/A
71	A1137950365 Profile,under side window,	279099	N/A	71	A1137950465 Profile,under side window,	279088	N/A
73	A1137950565 Profl.over triang. window,L	279007	N/A	73	A1137950665 Profl.over triang. window,R	279008	N/A
80	A1137950084 Dec. strip,under rear window	279020	€ 499,00	81	A1137950184 Dec.strip,over rear window	279070	N/A
81	A1137950284 Dec.strip,over rear window	279060	N/A	82	Joiner,rear window drip stri	279065	€ 69,00
83	N/A ! A0019885478 Clip, licence strip	270690	N/A	84	Rivet, rear window drip strips	270691	€ 0,20
85	A1137950185 Dec.strip,u. triang.window	279090	N/A	85	A1137950285 Dec.strip,u. triang.window	279080	N/A
86	A1137950585 Dec. strip, A-pillar Lt. ou	279047	N/A	86	A1137950685 Dec. strip, A-pillar Rt. ou	279048	N/A
87	A1137950385 Dec. strip, A-pillar Lt. in	279045	N/A	87	Dec. strip, A-pillar Rt. in.	279046	N/A
90	Handle, e.g. Hardtop	281004	€ 233,00	100	pair trims, brass chromed, incl. nuts	269008	€ 794,71
105	threaded brass spacer, roof trims	299089	€ 33,20	105	threaded stainless spacer, roof trims	299789	€ 29,75
106	coutersunk head screw for hardtop dec. stripes	299083	€ 0,82	106	rubber washer fits M6	299081	€ 1,19
106	Rubber ring, wiper motor	282407	€ 0,77	106	N900056005202 N900056005202	299082	€ 0,56
110	A0029885678 A0029885678 Clip, plastic	299088	N/A	111	Spring pin, DIN1481, spring steel, 2.5 X 14	299080	€ 0,32
111	sealing strip, see 199995, 699995	299995	N/A	115	screw countersunk PH 2,9x13 stainless	769179	€ 0,24

77.c, 86.b Wind protector

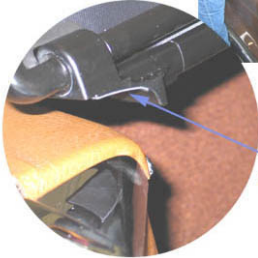
77.c, 86.b Wind protector, Repros



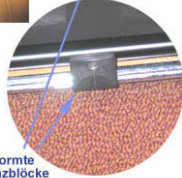
Windschott für 230-280SL (R113)

Artikelnummer 286100, Lieferumfang:
 - fertig montiertes Windschott aus leichtem Rohrrahmen mit Netzgewebe, schwarz
 - Haltewinkel mit Inbus-Schrauben und Anleitung
 - Solide Aufbewahrungstasche aus schwarzem Kunstleder mit Reißverschluss

Das Windschott ist leicht und kann nach dem Abnehmen der Haltewinkel bequem angebracht oder abgenommen werden.



Die Auflage der Halter ist zum Schutz mit Gummistreifen versehen



Geförnte Distanzblöcke halten an der Deckel-Vorderseite

Mit einem Inbusschlüssel wird links und rechts je ein Haltewinkel angeschraubt



Der Verdeckkastendeckel bleibt frei beweglich



Bei korrekter Positionierung ergibt sich ein kleiner Abstand zwischen Schraube und Chromleiste. Der Überlappungsspalt des Deckels über dem Verdeckkasten reicht, so dass der Haltewinkel beim Öffnen nicht stört.



Windschott R113 "Netz", klappbar [286800](#) € 220,00

Wind mesh "Weyer-Premium" 230-280SL Pagoda, premium [286807](#) € 499,99

Wind mesh "Weyer" 230-280SL Pagoda [286805](#) € 475,99

Wind mesh "Weyer" 230-280SL Pagoda, For vehicle wi [286806](#) € 379,00

77.d, 86.c Info MB/Oris wind protector



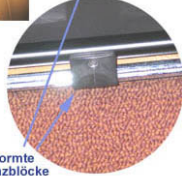
Windschott für 230-280SL (R113)

Artikelnummer 286100, Lieferumfang:
 - fertig montiertes Windschott aus leichtem Rohrrahmen mit Netzgewebe, schwarz
 - Haltewinkel mit Inbus-Schrauben und Anleitung
 - Solide Aufbewahrungstasche aus schwarzem Kunstleder mit Reißverschluss

Das Windschott ist leicht und kann nach dem Abnehmen der Haltewinkel bequem angebracht oder abgenommen werden.



Die Auflage der Halter ist zum Schutz mit Gummistreifen versehen



Geformte Distanzblöcke halten an der Deckel-Vorderseite

Mit einem Inbusschlüssel wird links und rechts je ein Haltewinkel angeschraubt



Der Verdeckkastendeckel bleibt frei beweglich



Bei korrekter Positionierung ergibt sich ein kleiner Abstand zwischen Schraube und Chromleiste. Der Überlappungspalt des Deckels über dem Verdeckkasten reicht, so dass der Haltewinkel beim Öffnen nicht stört.



79.b Hardtop Storage

Hardtop-wagen
R113, R107, ...

Einfache Montage, schlagfeste Beschichtung (in weiß oder schwarz), robuste Rollen, arretierbar, solide Schaumpolster m.Filzschicht,

dazu erhältlich:
Textilcover 779985

schwarz: Art. [779980](#)
weiß: Art. [779981](#)

Hardtop-Unterbringung
Garagenlifte
Abstellwagen
Staubhüllen

Hardtop Storage
Hoists, Carts, Covers

Hardtop-Cover Art. 779997

2-teilige Hülle
passend zum Garagenlift
- einfache Montage (Klettverschluss)
- das HT wird auch von unten umhüllt

orig. Garagenlift Art. 779999

Mercedes-Benz Originalzubehör:
Seilwinde mit Handkurbel,
"T- Traverse" an Verschlüssen vorn
und Haken unter Rahmen hinten

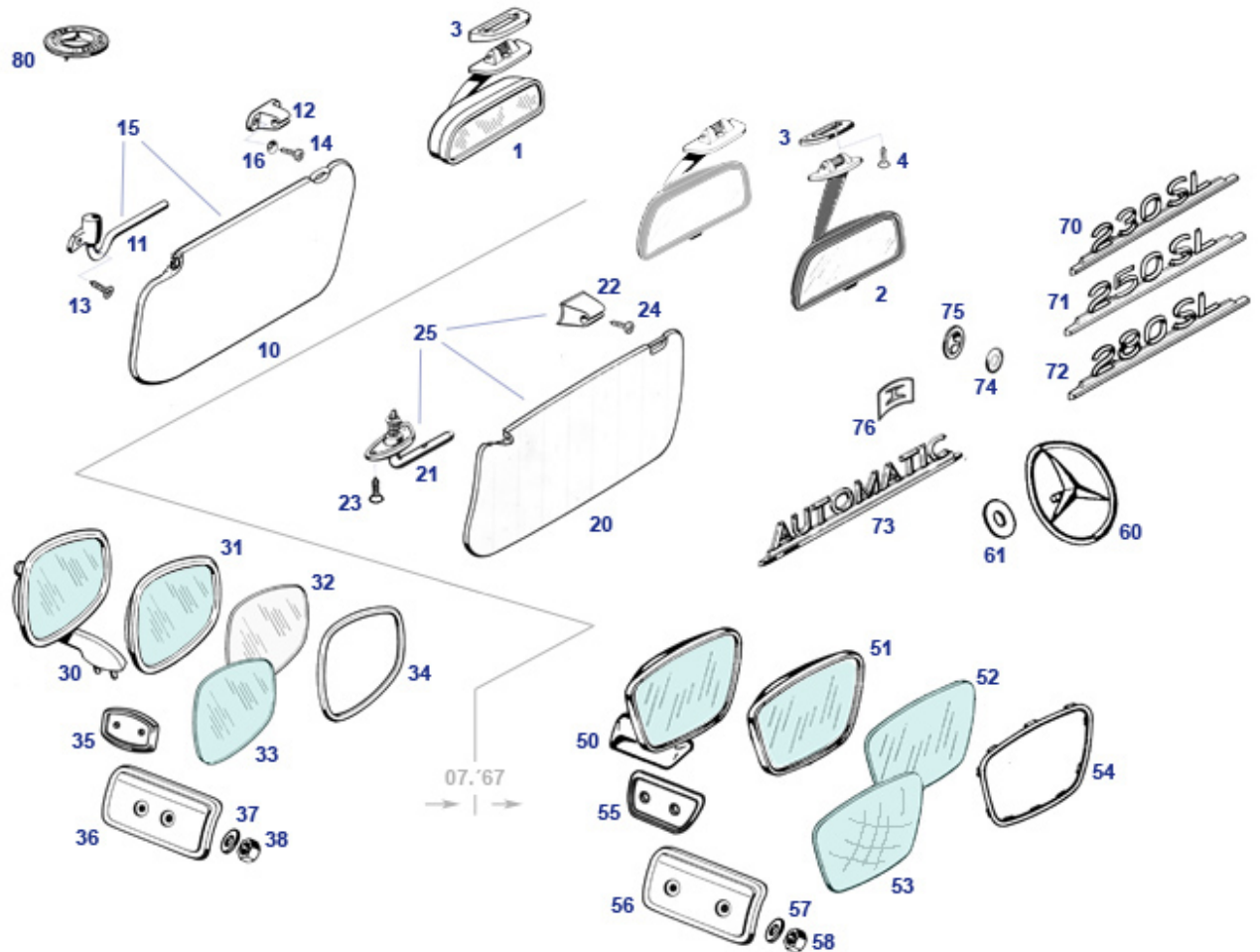
Garagenlift
Traverse mit Regenrinnenhalter
Gurt zur Absicherung
Flaschenzug, Haken und Klampe

R113 (230-280SL): Art. [279998](#)
R/C107 (280-500SL): Art. [779998](#)

279998	Hardtop hoist, simple version	279998	N/A	279998	Hardtop hoist R107, mech.	779998	€ 187,15
779980	Hardtop cart black, with dust cover fitting 113+10	779980	€ 219,00	779980	Hardtop cart, R107/113/129, no cover	779981	€ 199,99
779985	Cover (tan) for hardtop vehicle	779985	€ 46,33	779997	Cover, grey, for HT-hoist	779997	€ 30,59

81 Mirrors, Sunvisors, Int/Ext Eqmt.

81 Mirrors, Sunvisors, Int/Ext Eqmt.



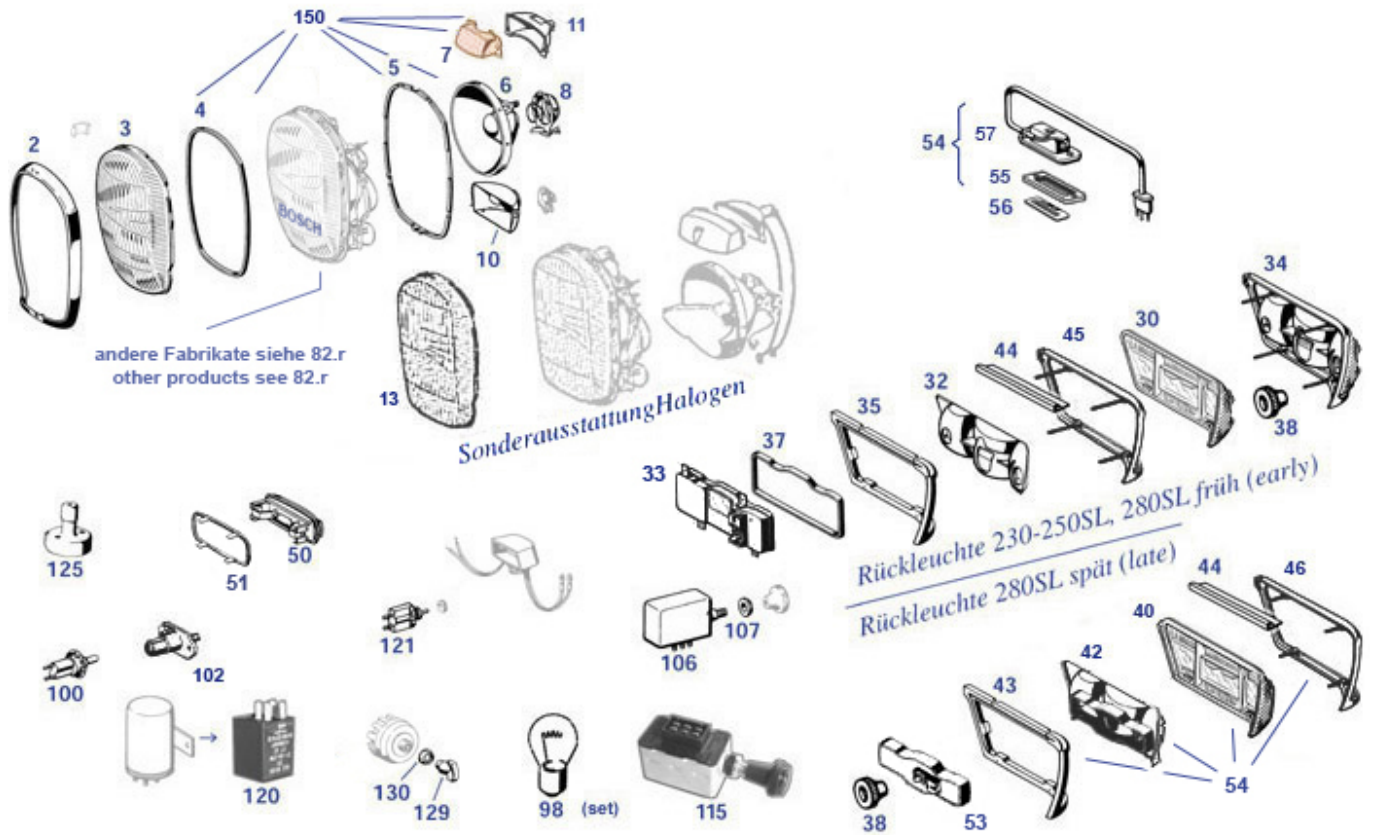
	spring for sunvisor bracket, black	281157	€ 3,99		Countersunk bolt M5X16, industrial chrome plated	167062	€ 0,45
	Ash tray, black	281800	€ 174,93		M5 chrome bolt PH, e.g. licence plates	988998	€ 2,20
	countersunk head screw M5 X 16, high gloss chrome p	167862	€ 4,99	1	N/A ! Glass lens, fits inner mirror 230SL	281071	N/A
1	Inside mirror glass	281069	N/A	1	Chrom-Innenspiegel 113/111 früh	281068	N/A
2	A1158100017 Rear view mirror, repl.	281028	N/A	3	Inner mirror support frame,230SL 1st ge	281023	€ 79,08
3	A1138110511 Base plate , rear view mirr	281029	N/A	4	Senk-Blechschraube 3,9x22 zB Innenspiegel	299928	€ 0,44
10	Sunvisor ->67 LH w/o bracket, cream	281131	€ 229,00	10	Sunvisor ->67 RH w/o bracket, cream	281132	€ 229,00
10	RHD-Sunvisor ->67 passenger side w/o bracket, crea	281134	€ 190,00	10	RHD-Sunvisor ->67 driver's side w/o bracket, cream	281133	€ 179,52
11	Chrome bracket LH visor ->'67	281158	€ 160,00	11	Chrome bracket, visor RH ->'67	281168	€ 161,99
12	Bracket, sunvisor ->'67	281038	€ 5,96	13	complete screw set, chrome plated	299233	€ 399,90
14	Counter sunk screw 4,2x14, industrial chromed	799932	€ 0,58	15	Pair sunvisors 230SL, light Repro	281730	€ 385,58
16	Escutcheon fitting panelling screws diam 3,9	267014	€ 0,89	20	S'visor `67->, Lt.no mirr,no supp	281137	€ 223,35
20	S'visor `67->, Rt.w. mirr,no supp,Repro	281136	€ 223,35	21	S'visor support, outer, 67->, LT	281150	€ 89,90
21	S'visor support, outer, 67->, RH	281160	€ 89,90	22	Pin for sun visor from 1967	281739	€ 29,16
22	see 281839 or 281039	281049	N/A	22	Bracket, sunvisor'67->,cream-grey	281039	€ 13,64
22	Visor bracket from 67->, Repro see picture	281639	€ 14,99	23	Counter sunk screw 3,9 Phillips	281139	€ 0,26
24	Square nut e.g. at 281039	281169	€ 0,44	24	panel screw, lens head, 3,5x22 visorsup	281159	€ 0,44
25	Pair Sunvisors '67-> light Repro	281735	€ 348,43	25	Sunvisor 67-> rt. light Repro	281736	€ 189,21

25	Sunvisor 67-> lt. light Repro	281737	€ 189,21	30	Rear view mirror, Rt. early, B-quality	281040	€ 100,90
30	Rear view mirror, Lt. early, B-quality	281030	€ 101,45	31	Mirror head ->67, Repro, tinted	181025	€ 43,64
31	A1108102316 Mirror head ->67, orig, tin	181925	N/A	31	Mirror head ->67, Repro, clear	181125	€ 47,10
32	Spiegelglas oval, klar	181127	N/A	33	Replacement glass, tinted	181026	€ 23,80
34	A0008110165 Replacement nylon bezel	181027	€ 14,70	35	Rubber pad mirror ->'67, fits L/R	281035	€ 2,64
36	Hidden bracket, door mirror early	281057	€ 13,39	37	Spring washer, fits M6	181028	€ 0,18
38	Hex nut M6, yellow zinc.	181023	€ 0,18	50	Rear view mirror, late, rt. B-quality	281060	€ 101,39
50	Rear view mirror, Lt. late, B-quality	281050	€ 101,39	51	A1158100216 Mirror head, Rt. late	281052	N/A
51	A1158100116 Mirror head, Lt. late	281051	N/A	51	Mirror head '67->, RH, quality deficits, Repro	281852	€ 32,50
51	Mirror head '67->, LH, quality deficits, Repro	281851	€ 42,00	52	Mirror glass, flat, tinted, fits late m	281061	€ 23,80
53	A1158110166	281063	N/A	54	Ring, glass retention, 1967-> (trapez)	281062	€ 17,26
55	Mirror underlay "trapezoid" '67->	281855	€ 2,56	56	Hidden bracket, door mirror late	281056	€ 14,40
60	A1137580058 Mercedes star, trunk lid	275020	N/A	61	Rubber washer	175012	€ 1,11
70	Type designation: 230SL	281020	N/A	71	Type designation: 250SL	281021	€ 145,00
72	Type designation: 280SL	281022	N/A	73	Type designation: Automatic	281025	€ 100,00
74	O-Ring blk rubber, eg Type signs	281027	€ 0,13	75	Clip, inner diam. 3.5mm, fits pins 4mm	281026	€ 1,18
76	Clip, 'Automatic'	281024	€ 0,20	80	Hex Nut, M4	799919	€ 0,20
80	Spring washer M4 yellow zinced	299283	€ 0,08	80	Washer 4,3 yellow zinced	299282	€ 0,08

82 Lighting and Wiper

82.a Lighting Units, standard

82.a Lighting Units, standard



	A1086800284	868028	N/A	Bulb 12V / 10W, torpedo, total length 38	799081	€ 1,46	
	A1119900257 Milled nut, rear lamp assem	282155	N/A	Knob, Design 1968, M5, fits Cigar lighters M5	254843	€ 45,99	
	Knob, heater blower switch, Repro, optical shortco	282826	€ 68,29	A0008264078 Reflector for H1 Lighting	282081	N/A	
	Con.housing, 2 pole flat	254103	€ 0,54	Screw, M4X6 Phillips, e.g switch	799546	€ 0,24	
	A1158201792 Knob, emerg. flasher unit	282036	N/A	Knurled chrome nut, glove box switch	254109	€ 14,55	
	8-pole housing (plastic base & cap), no metal bush	254181	€ 8,69	6-pole housing (plastic base & cap), no metal bush	254180	€ 8,45	
	A1138200052 reading light, glovebox	282028	N/A	2-pole housing (plastic base & cap), no metal bush	254182	€ 7,97	
	see 282821 or 282031	282021	N/A	4-pole housing (plastic base & cap), no metal bush	254883	€ 8,09	
	contact bushing 4mm brass, silver plated	254855	€ 1,40	Headlamp lens LHD Bilux fit Repro 282600	282601	N/A	
	slotted grub screw for taillight frames	282856	€ 4,65	see 282102	282002	€ 8,96	
	Bulb 12V / 10W, torpedo, total length 44	299094	€ 0,51	1	For right-hand traffic = LHD Without decorative ri	282800	€ 749,70
1	Headlamp 230-280SL Euro-LHD, Halogen (H4)	282700	€ 779,91	1	Headlamp 230-280SL Euro-LHD, Bilux	282600	€ 955,00
1	A1138201661 Headlamp H1 original product	282003	N/A	2	A1138260189 chrome bezel, Euro-lamp	282010	N/A
2	chrome bezel, Euro-lamp, Repro	282910	N/A	2	chrome bezel, Euro-lamp, Repro	282810	N/A
3	spring clip, headlamp lens	282082	€ 2,00	3	Headlamp lens LHD Bilux fit Repro 282800	282801	€ 220,38
3	Glass, headlamp R113 Bilux LHD	282001	€ 184,45	5	In hex M4 bolt, head lamp mounting	299280	€ 1,36
5	threaded bushing, lamp housing repair	262855	€ 2,50	5	Seal, headlamp to body	282006	€ 35,87

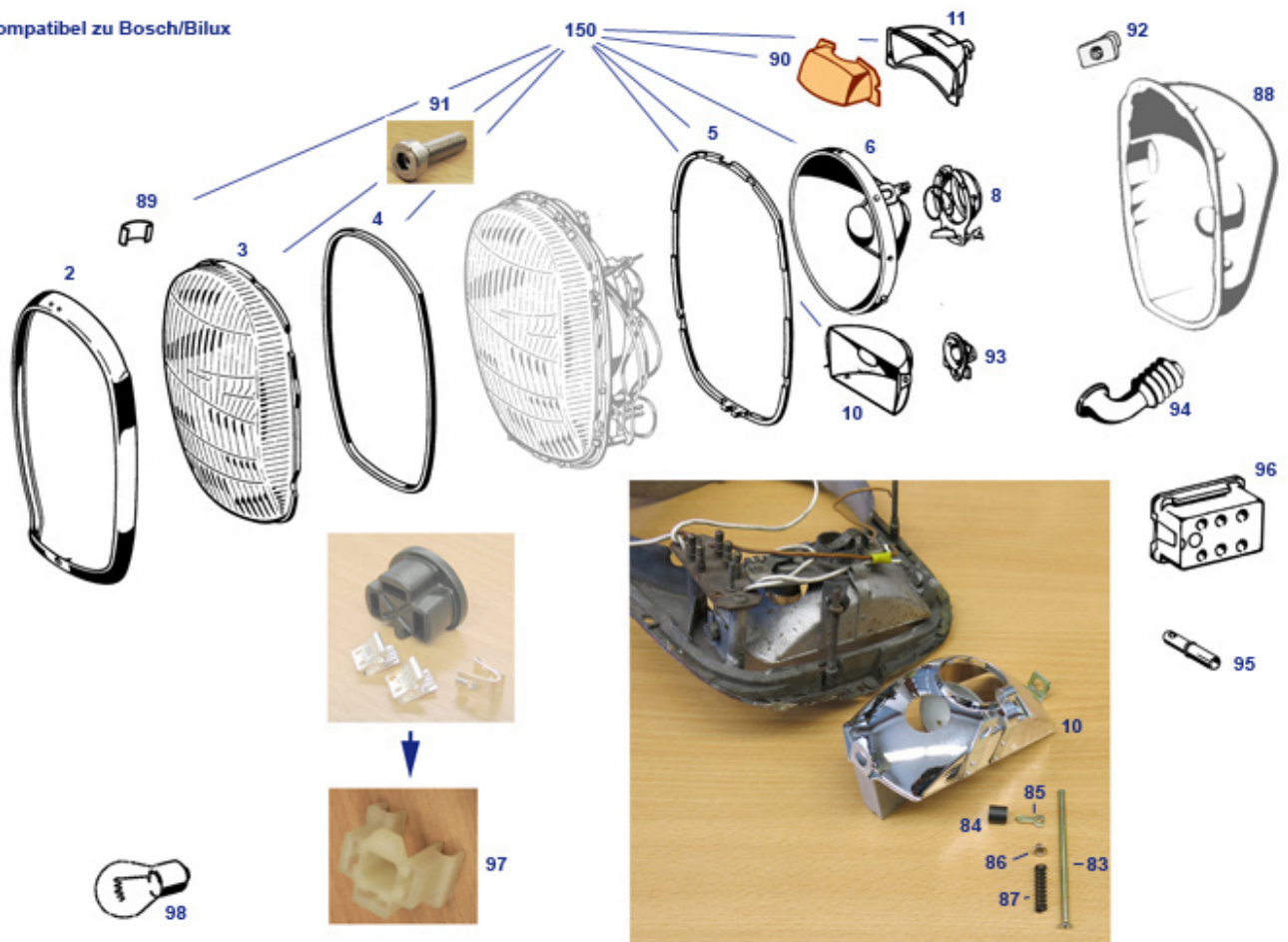
6	Rubber bushing at reflector	182807	€ 2,38	6	A0008261478 Reflector, main	282071	N/A
6	A0008261578 Refl. Bilux RHD/Linksverkeh	282080	N/A	7	Lens, blinker (direction ind.)	282075	€ 36,00
8	Wiring w. sockets, fitting Bosch Bilux	282875	€ 72,83	8	Lamp holder	282072	N/A
8	H4 Connector housg w.3x flag crimps	282041	€ 5,83	8	Housing for Bilux/H4 connector	182042	€ 4,74
8	Lamp holder	282872	€ 19,75	10	coil spring, fits adjuster bolts	282807	€ 1,99
10	SAdjuster screw, long, 113 headlights	282806	€ 3,20	10	Bracket, headlight mirror adjuster	182805	€ 7,14
10	Fog reflector, fits 35W Euro-Version	282878	€ 72,83	10	small metal boot, adj. spring locking	282804	€ 1,33
11	Reflector, Euro direction flasher frt	282076	N/A	11	dir light reflector, fits Bosch-Euro	282876	€ 33,99
13	Glass, Headlamp R113 LHD "H1"	282004	€ 99,00	30	Right Tail Lamp Lens w/o. frame, red/yellow	282141	€ 143,99
30	Taillight lens early RH rd/ye/ye (FR)	282143	€ 143,99	30	Tail Lamp Lens - Left	282111	€ 143,99
30	Taillight lens early LH rd/ye/ye (FR)	282133	€ 143,99	30	Left Tail Lamp Lens w/o. frame, red/yellow	282131	€ 143,99
30	Lens w.o. frame, red/red, Rt.	282121	€ 143,99	32	Reflector RH, taillight "early style"	282108	€ 81,00
32	Reflector LH, taillight "early style"	282109	€ 81,00	33	Lampholder '63-'69 left side	282115	€ 155,99
33	Lampholder '63 - '69 right side	282114	€ 155,99	34	The assembly of reproduction items from different	282130	€ 517,00
34	The assembly of reproduction items from different	282140	€ 559,99	34	Lens w.frame, red/red, Lt.->69, Repro	282110	€ 517,00
34	Lens w.frame, red/red, Rt., ->69, Repro	282120	€ 517,00	35	Seal, taillight left, up to ca.'69	282113	€ 57,49
35	Reproduction:quality irregularities ref.to rubbe	282813	€ 39,91	35	Reproduction:quality irregularities ref.to rubber	282812	€ 39,91
35	Seal, taillight RH up to ca.'69	282112	€ 57,49	37	Seal Rear Lampholder/Bracking Board (61cm) / ->	282119	€ 4,74
38	Milled M5 nut, plastic, white	282655	€ 7,04	38	Milled M5 nut, plastic w insert	282855	€ 3,30
40	Lens rear light LH. 69-> red-yellow	282151	€ 189,39	40	Lens rear light LH 69-> red/red	282171	€ 199,99
40	Lens rear light RH. 69-> red-yellow	282161	€ 189,39	40	Lens rear light RH 69-> red/red	282181	€ 199,99
42	Mirror fits RH taillight "late style"	282168	€ 133,99	42	Mirror, fits LH taillight "late style"	282158	€ 133,99
43	Seal, tail lamp RH, late version	282118	€ 59,20	43	Seal, tail lamp LH, late version	282117	€ 59,20
43	Seal, tail lamp LH, late version	282517	€ 31,83	43	Seal, tail lamp RH, late version	282518	€ 31,83
44	Rubber profile,1m rear lights, R113	282157	€ 8,22	45	Chrome surround RH, taillight early	282142	€ 247,34
45	Chrome surround LH, taillight early	282132	€ 247,34	46	Chrome surround LH, taillight late	282152	€ 246,98
46	Reproduction, for comparison purposes: Similar to	282162	€ 246,98	50	Interior light HELLA,same as MB-Replacement	282920	€ 31,33
50	Interior lamp, shape nearly Hella style	282820	€ 15,28	50	Interior light, simplified	282020	€ 11,90
51	frame underneath interior lamp	282680	€ 18,39	53	On request: bulb holder 69-> left as long as stock lasts! el. connector (fem) 6-pol	282153	€ 396,66
53	On request: bulb holder 69-> rt	282163	€ 396,66	53	late = dismountable design from approx. Febuary '6	254984	€ 27,67
53	Diode	282189	€ 1,43	54	Rear light,comp.280SL Rt. 69->	282650	€ 533,12
54	late = dismountable design from approx. Febuary '6	282660	€ 533,12	54	Rear light,comp.280SL Rt. 69->	282160	N/A
54	Rear light, comp.280SL Lt. 69->	282150	N/A	55	rubber seal, lic light lens	282054	€ 7,82
56	Glass cover,R113 license plate light	282055	€ 19,99	57	Grommet 6/26	299819	€ 3,15
57	N/A ! 2-pole-connector (m), hsg w.pos-nose	754157	N/A	57	Rest: Housing lic.plate lamp	282809	€ 56,79
57	Bulb 12V / 5W, torpedo, total length 38	299098	€ 1,54	98	Bulb 12V 15W BA15S, halo modernized	399083	€ 3,69
98	Bulb 12V 15W BA15S, halo modernized	399084	€ 3,92	98	Light bulb 12V/2W, BA7s	299079	€ 1,99
98	Bulb 12V / 21W direction indicator	299085	€ 1,25	98	Bulb 12V/18W direction indicator	299087	€ 3,33
98	Bulb, 55W Halogen H3,fog light	299091	€ 4,52	98	Bulb, 55W H1, e.g. 113 if Halogen equipped	299090	€ 2,89
98	Bulb, 40/45W, Bilux	299092	€ 3,99	98	Light bulb 12V/2W BA9s, long shape	299095	€ 3,45
98	Bulb, passenger compt. 3W, NoName	299096	€ 1,79	98	Bulb 1.2W, glass socket, switch-knob, cockpit	299097	€ 1,79
98	Bulb, parking light, 12V/4W, BA9S	299099	€ 1,39	98	Bulb 12V / 3W, torpedo, total length 30	226102	€ 2,53
98	Bulb, 35W, Fog light	299093	€ 8,32	98	Halogene bulb, fits in Bilux socket	299192	€ 4,86
98	light bulb 12V/2W, BA9s, eg. Instruments	254033	€ 2,20	100	Door switch round pin connectors	282721	€ 60,75
100	Switch, flat connectors	282031	€ 10,21	102	Bulb, e.g. trunk light	282033	€ 2,50
102	A0008210252 Door switch, version flat poles	182021	€ 28,98	102	Trunk(boot) light and switch '59-'85	282022	€ 40,58

102	bulb 12V 5W Ba15s socket	799189	€ 0,81	106	Emergency flasher 1969->, no knob	282034	N/A
107	Escutcheon, emerg. flasher switch	282035	€ 10,28	115	pigtail harness fits emergency switch 982034	982035	€ 49,03
115	Upgr. hazzard flasher Hella with wiring	982834	€ 183,25	115	switch, stroke timer,6 flat poles, fits 982035	982034	€ 157,15
120	A0008211063	254860	N/A	120	crimp connector	997992	€ 0,43
120	Turn signal transmitter	254760	€ 42,39	120	NLA: Turn signal transmitter (metal), Lucas	182701	N/A
120	universal flasher relay 12V 4x21W Bosch, flat pole	582070	€ 42,95	120	Housing, fits up to 5 crimp-shoes	554070	€ 0,71
120	Turn signal transmitter (metal), Bosch	182001	€ 67,29	121	113: Handschuhkasten, 107: Feststellbremse (254101	€ 402,03
125	see 454012, foot operated switch	254012	N/A	125	foot operted switch	454012	€ 32,68
128	A0005452004 Switch, lighting, rot. no k	254028	N/A	129	A1105451137 Knob, plastic, light switch	254035	N/A

82.b compatible parts fitting Bosch-Bilux

82.b compatible parts fitting Bosch-Bilux

Kompatibel zu Bosch/Bilux

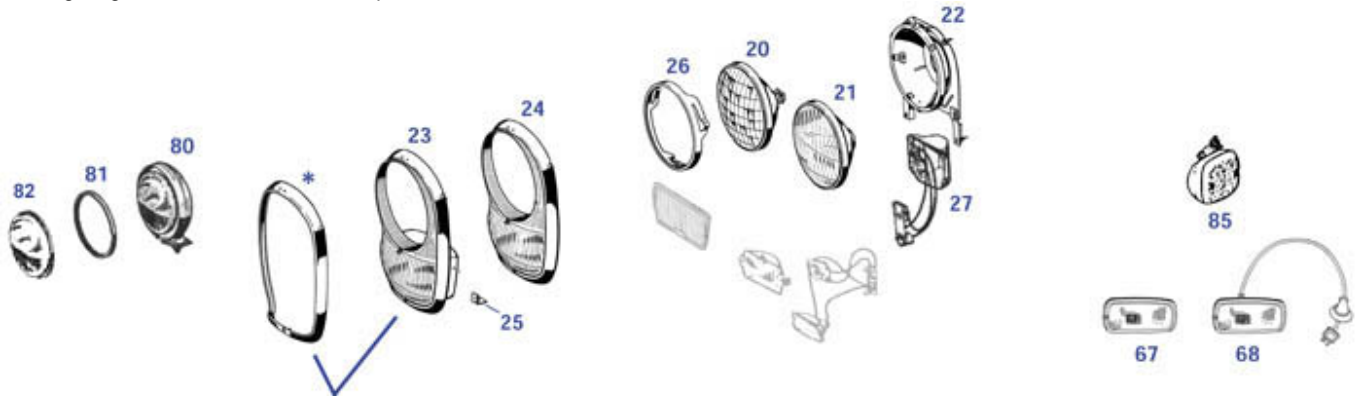


	see 282102	282002	€ 8,96	2	A1138260189 chrome bezel, Euro-lamp	282010	N/A
2	chrome bezel, Euro-lamp, Repro	282810	N/A	2	chrome bezel, Euro-lamp, Repro	282910	N/A
3	Glass, headlamp R113 Bilux LHD	282001	€ 184,45	5	Seal, headlamp to body	282006	€ 35,87
8	Lamp holder	282872	€ 19,75	8	Wiring w. sockets, fitting Bosch Bilux	282875	€ 72,83
8	Lamp holder	282072	N/A	10	Fog reflector, fits 35W Euro-Version	282878	€ 72,83
11	Reflector, Euro direction flasher frt	282076	N/A	11	dir light reflector, fits Bosch-Euro	282876	€ 33,99
83	SAdjuster screw, long, 113 headlights	282806	€ 3,20	84	Rubber bushing at reflector	182807	€ 2,38

85	Bracket, headlight mirror adjuster	182805	€ 7,14	86	small metal boot, adj. spring locking	282804	€ 1,33
87	coil spring, fits adjuster bolts	282807	€ 1,99	88	Lamp housing LH	262850	€ 61,23
88	Lamp housing RH	262860	€ 61,23	89	spring clip, headlamp lens	282082	€ 2,00
90	Lens, blinker (direction ind.)	282075	€ 36,00	91	rubber washer, adjuster bolts	782803	€ 0,77
91	In hex M4 bolt, head lamp mounting	299280	€ 1,36	92	threaded bushing, lamp housing repair	262855	€ 2,50
93	Fassung Blink-Nebel-Parklicht	282074	N/A	94	Tube,prt.,head lamp cable,l.h.	254047	€ 24,29
94	Tube,prt.,head lamp cable,r.h.	254046	€ 24,29	95	contact bushing 4mm brass, silver plated	254855	€ 1,40
95	Sold on sleeve 4mm	254055	€ 2,69	96	as long as stock lasts! el. connector (fem) 6-pol	254984	€ 27,67
97	Housing for Bilux/H4 connector	182042	€ 4,74	97	Con., 3 pole flat,head lamp	254082	N/A
97	Socket, fits Bilux-bulb, classic style	182041	€ 7,20	98	Bulb 12V/18W direction indicator	299087	€ 3,33
98	Bulb, 40/45W, Bilux	299092	€ 3,99	98	Bulb, 35W, Fog light	299093	€ 8,32
98	Bulb, parking light, 12V/4W, BA9S	299099	€ 1,39	98	Bulb 12V / 21W direction indicator	299085	€ 1,25

82.c Lighting Units USA, additional Lamps

82.c Lighting Units USA, additional Lamps



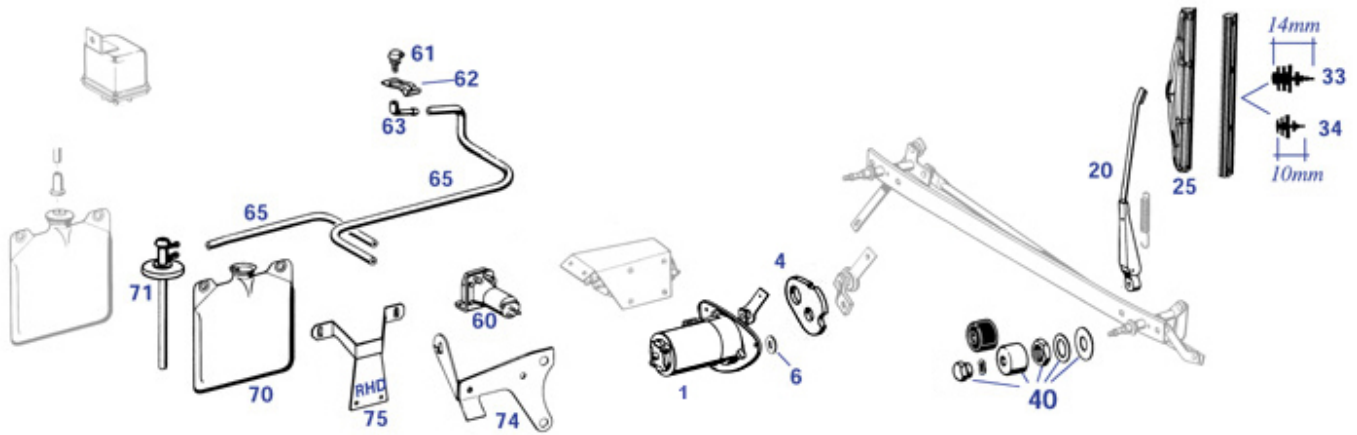
*The screen section "chrome surround" is similar to the european version, but dismantling will damage the plastic lens. Section "plastic insert" is not available separate.

Der Chromrahmen der Scheinwerfermaske ist baugleich mit der europäischen Version, lässt sich aber nur gewaltsam abnehmen. Der Kunststoffeinsatz separat ist nicht lieferbar.

	Lamp unit, Bilux LHD, no rbr cap, Bosch	282015	N/A		N/A ! Lamp unit, H4 for US headlamp	282017	N/A
	Light unit 7"LHD,e.g.US headlamp,w/o rb	282815	N/A	20	A0008266699 Seal beam unit	182130	N/A
21	Euro H4 lamp insert 7"	282617	N/A	21	Euro-LHD H4 Lamp fits US-frame,w.rbrcap	282917	€ 45,84
22	A1138201261 Frame, Headlamp, US	282014	N/A	23	A1138200066 Bezel + glass + housing, US	282013	N/A
24	A1138260489 Bezel + glass, no housing,	282012	N/A	25	A1138260012 Mount, headlamp unit	282007	N/A
26	A0008268289 Chrome ring, lamp unit, US	282016	N/A	27	A0008265482 Surround and top, USA runni	282018	N/A
67	A0008260741 Side reflector, fr. Lt., ye	282097	N/A	67	A0008260841 Side reflector, fr. Rt.,yel	282098	N/A
67	A0008260541 Side reflector, rear Lt.,re	282095	N/A	67	A0008260641 Side reflector, rear Rt.,re	282096	N/A
68	A0008260441 Side refl. fr. Rt.,yel.illu	282094	N/A	68	A0008260341 Side refl. fr. Lt.,yel. ill	282093	N/A
68	A0008260241 Side refl.rear Rt.,red,illu	282092	N/A	68	A1159972081 NI Grommet,lighting cable,b	298779	N/A
68	A0008260141 Side refl. rear Lt.,red,ill	282091	N/A	80	Fog light, USA	282315	N/A
80	1 pair aux lamp accessory chrome round H3 unit	382328	€ 319,99	81	A0008261180 Sealing ring, fog lights	482006	N/A
82	A0018261390 glass for additional fog li	282330	N/A	85	A0008207256 Fog light, supplementary, r	282340	N/A

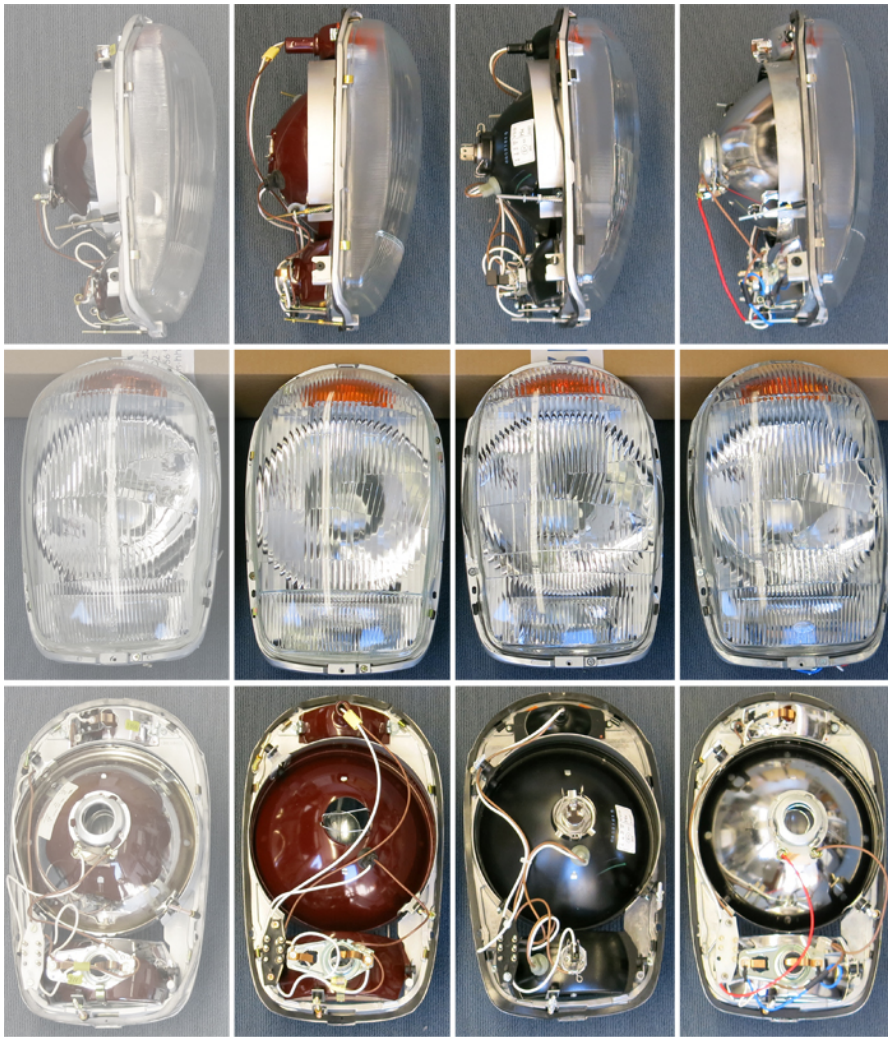
82.d Windscreen wipe/wash

82.d Windscreen wipe/wash



	Rubber ring, repl., w/s wiper shaft	282247	€ 1,59		Fitting kit,wiper shafts,black cap	282241	N/A
	A1108240472 Fittings, w/s wiper shaft,	282944	N/A		Wiper shaft nut, high gloss	282842	€ 20,10
	Shim, w' wiper shafts	282246	€ 0,77		Nut wiper shaft	282245	€ 4,27
	safety washer with serrations	282243	€ 0,26		Wiper shaft nut (VA hat)	282242	€ 20,80
	8X13X0,8, zinc plate						
	Chrome cap on windscreen wipe	282244	€ 74,90		A1139940021 Clip, nozzle, w/washer	286031	N/A
1	R113, overhauled, requires your used motor	282400	€ 1.087,26	1	R113, pls ask for current situation or see 282400	282480	€ 1.450,00
4	Underlay, wiper motor to firewall W113	282248	€ 16,01	5	A1108240110 NI Crank,wiper,late 250-28	282402	N/A
6	Rubber ring, wiper motor	282407	€ 0,77	6	rubber washer fits M6	299081	€ 1,19
10	n/a A1138200343 Wiper Linkage LHD	282200	N/A	10	Tool, wiper link shaft greasing	258826	€ 65,45
20	A1138200444 Wiper arm, Rt.	282220	N/A	20	A1138200344 Wiper arm, Lt.	282210	N/A
20	wiper arm R113, W110, LH, glossy	282710	€ 135,01	20	wiper arm R113, W110, right, glossy	282720	€ 135,01
25	Wiper Blade 330mm W113 (late Version) & C111	382722	€ 49,21	33	A0008245027 Wiper rubber, 230-280SL FN	282233	N/A
34	Wiper rubber, 280SL (late) 327mm	282234	€ 23,81	60	washer pump, round pole	286702	€ 54,62
60	crimp connector	997992	€ 0,43	60	Con.housing, 2 pole flat	254103	€ 0,54
60	N/A ! 2-pole-connector (m), hsg w.pos-nose	754157	N/A	60	Panelling screw 4,8 x 13	799933	€ 0,32
60	flat connectors, pls see 286540	786802	€ 17,26	60	108 869 0121 washer pump, round pole	286002	N/A
60	Adater wire fits new pump to old loom	286540	€ 32,00	61	A0008691847 Nozzle,w/washer	286030	€ 144,30
62	Clip for washer nozzle W113	286831	€ 5,00	63	A1138690024 Connector, w/washer	286032	N/A
65	Rbr grommet,7/10,113 washpipe,121 boot	299011	€ 1,08	65	Rubber grommet 3 way, bonnet cable	298778	€ 3,55
65	Hose, w/washer, flex.,per metre	186040	€ 1,84	70	WS washer tank, repro with cap	186810	€ 87,26
70	A0008692120 VDO-Washer tank by MB	186010	N/A	71	Washer bag cap w.valve e.g to 186015, B-Quality	186015	€ 18,86
71	Cap,washerfluid reservoir ->ca'78	786825	€ 14,10	74	3pcs-assy Bracket, clutch+waterreservoi	229086	€ 61,29
75	Support, RHD Washer bag, black	286811	€ 77,80	75	Support, RHD-Washer bag, zinc yellow	286011	€ 64,56
80	12V / 25A Bistable/FlipFlop, 56-S, 56-56a/56b	982345	€ 62,00	80	A0005426819 Relay, windscreen wiper	282410	N/A

82.r Headlamps, Reproduction Overview



MB-Bilux (Bosch)

SLS 282800

SLS 282700

SLS 282600

282600	Headlamp 230-280SL Euro-LHD, Bilux	282600	€ 955,00	282700	Headlamp 230-280SL Euro-LHD, Halogen (H4)	282700	€ 779,91
--------	------------------------------------	------------------------	----------	--------	-------------------------------------------	------------------------	----------

82.i Info Headlight Halogen or Bilux

82.i Info Headlight Halogen or Bilux

i - Hauptscheinwerfer
Serie oder Halogen

für Serie: BILUX 2-Fadenbirne, 40/45W, in original-Baulform R2 (SLS 299092)

für Mercedes-SA 55570 „Halogen“ Birnen H1, 55W (1-Faden, Form P14,5 s, 299090)

Umrüst-Glühbirne „Halogen-Leuchtmittel auf Bilux-Sockel“ (R2-P45t, SLS 299192), Glaskolben hat vorn eine integrierte Blendschutzbeschichtung. Höhere Lichtausbeute, jedoch ggf. nur nach Demontage des Blech-Blendschutzes (Anbauteil des Reflektors, Platzproblem) einsetzbar.

Standard-Streuscheibe „Bilux“ (Serie durchgängig für alle R113)

kastenförmige Streuscheibe bei Sonderwunsch (SA) Halogen

Das Nebellicht wurde mit modernisiert:

Serie 35W, SLS 299093

Halogen „H3“ 55W SLS 299091

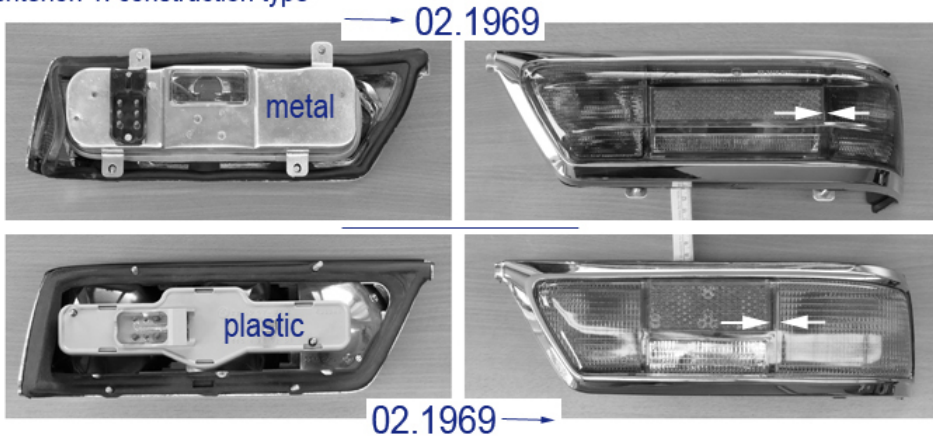
ebenso Lichtverbesserung beim Blinklicht (18W→21W)

18	Bulb 12V/18W direction indicator	299087	€ 3,33	21	Bulb 12V / 21W direction indicator	299085	€ 1,25
299090	Bulb, 55W H1, e.g. 113 if Halogen equipped	299090	€ 2,89	299091	Bulb, 55W Halogen H3,fog light	299091	€ 4,52
299092	Bulb, 40/45W, Bilux	299092	€ 3,99	299093	Bulb, 35W, Fog light	299093	€ 8,32

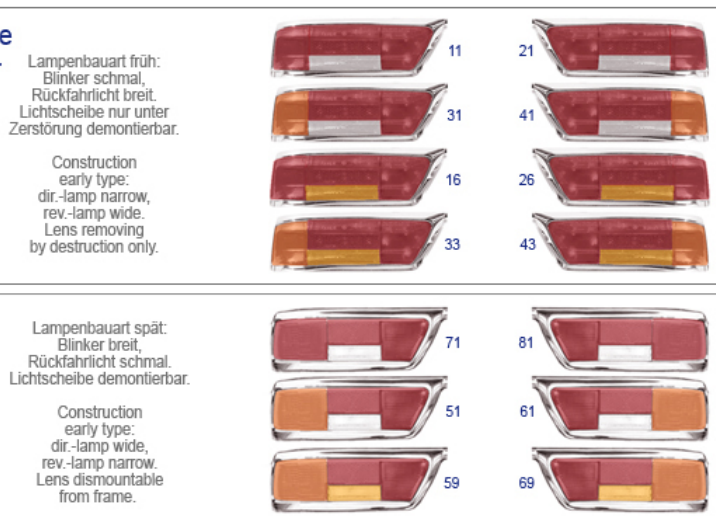
82.i Info Rückleuchten

82.i Info Rückleuchten

Kriterium 1: Bauart
 criterion 1: construction type



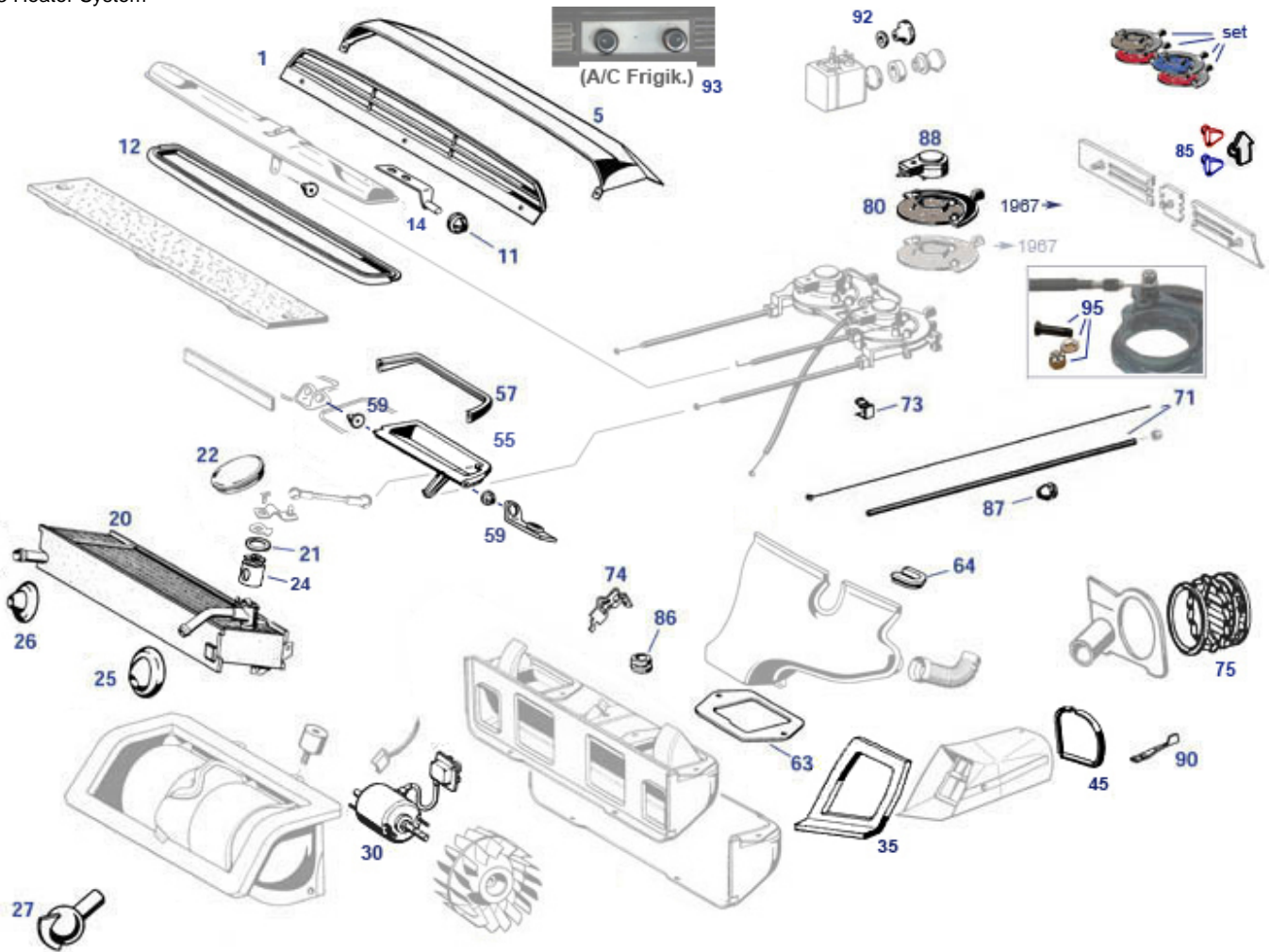
Kriterium 2: Farbe
 criterion 2: color



	Milled M5 nut, plastic, white	282655	€ 7,04	11	Lens w.frame, red/red, Lt.->69, Repro	282110	€ 517,00
11	Tail Lamp Lens - Left	282111	€ 143,99	16	Lens early LH rd/rd/ye (FR)	282116	€ 152,50
21	Lens w.frame, red/red, Rt., ->69, Repro	282120	€ 517,00	21	Lens w.o. frame, red/red, Rt.	282121	€ 143,99
26	Lens early RH rd/rd/ye (FR)	282126	€ 152,00	31	The assembly of reproduction items from different	282130	€ 517,00
31	Left Tail Lamp Lens w/o. frame, red/yellow	282131	€ 143,99	33	Taillight lens early LH rd/ye/ye (FR)	282133	€ 143,99
41	Right Tail Lamp Lens w/o. frame, red/yellow	282141	€ 143,99	41	The assembly of reproduction items from different	282140	€ 559,99
43	Taillight lens early RH rd/ye/ye (FR)	282143	€ 143,99	51	Lens rear light LH. 69-> red-yellow	282151	€ 189,39
51	late = dismountable design from approx. Febuary '6	282650	€ 533,12	59	Lens late LH, rd/ye/ye (FR)	282159	€ 196,35
61	Lens rear light RH. 69-> red-yellow	282161	€ 189,39	61	late = dismountable design from approx. Febuary '6	282660	€ 533,12
69	Lens late RH, rd/ye/ye (FR)	282169	€ 185,28	71	Lens rear light LH 69-> red/red	282171	€ 199,99

83 Heater System

83 Heater System

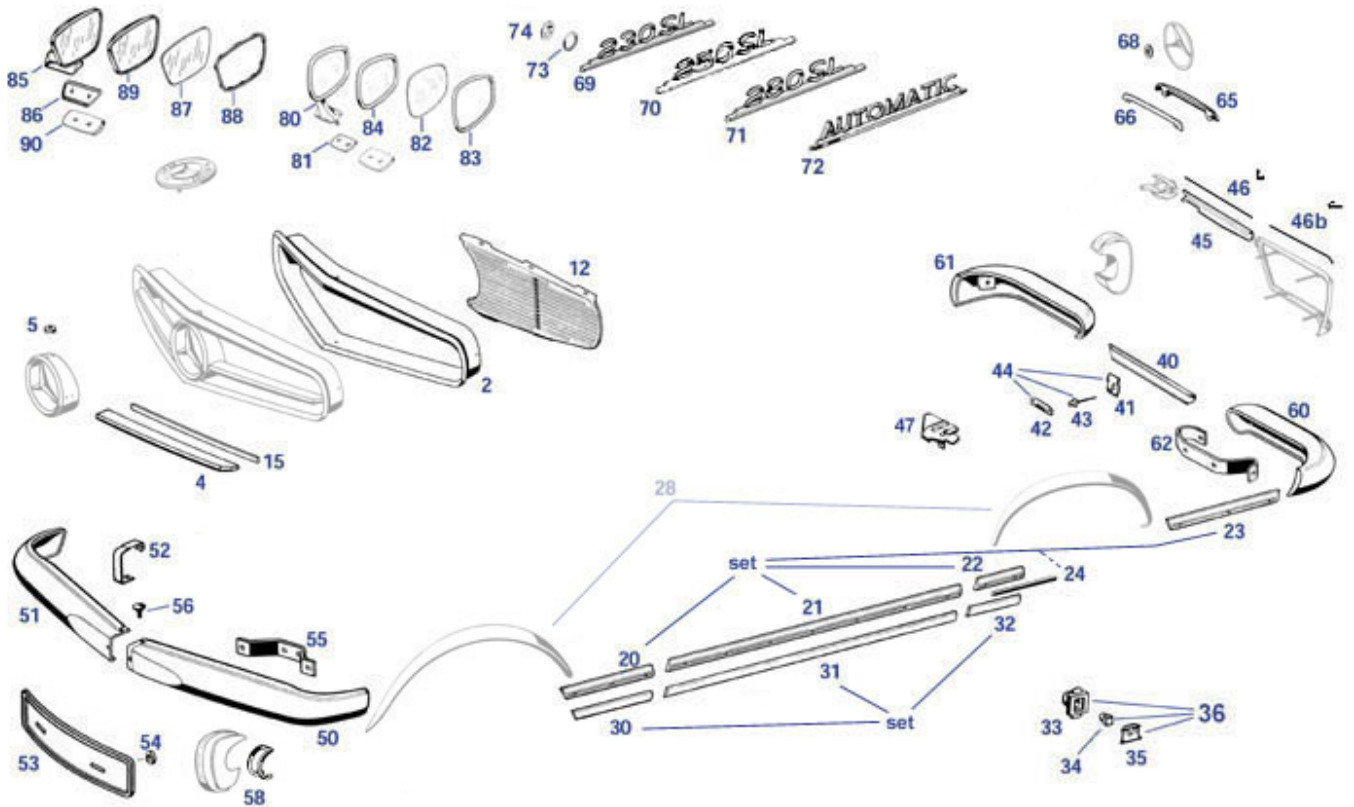


	3-pcs-set, chrome escutcheon LHD	283001	€ 618,80		A1138350001 Heater heat	283018	N/A
	heater levers				exchanger		
	230SL, 250SL up to FG ...002979	283102	€ 197,66		Light bulb 12V/2W, BA7s	299079	€ 1,99
	aux el pump, heater hose LHD,	583160	€ 141,00		We would be happy to advice you	283718	N/A
	BOSCH				needs your used p		
	A1138300405 vent box, 1 shell only	283207	N/A		230SL, 250SL up to FG ...002979	283101	€ 221,99
	A1138300385 Control, heater, FN	283050	N/A		Heater core LH, overhauled, non-	183117	€
	see 283825	283025	N/A		exchange-service		1.518,40
	overhauled heat exchanger, no	283918	€		zB. M130E spät: 280SL -10-004620	220122	€ 45,08
	used part required		1.439,90		->		
	-NL- Chromrosette 250-280SL	283000	€ 124,95		1m cooling water hose 12/19mm	250823	€ 7,14
	Hzg.mi.				del-t: sponge mount	283037	N/A
	Clip, bowden cable	775858	€ 0,96		Rubbergrommet, defrost tube	183109	€ 16,30
1	Screw, grille/bodywork	283021	€ 1,90	1	Chrome Air intake ornamental	283620	€ 452,20
1	A1138300018 Grille, chrome, air	283020	N/A	1	mesh, Repr		
1	intake				Spring clip nut, 4,2, e.g. wing 107,..	299028	€ 0,33
1	Chrome Air intake ornamental	283720	€ 731,22	5	A1138300076 see Repr: 283820	283120	N/A
1	mesh, Repr						
5	hood above air duct grille, Repr	283820	€ 175,77	5	Panel screw, lens head 3,5x13 vent	283031	€ 0,18
5	doesn't meet gen				hood		
10	A1138300143 Fresh air flap, heater	283017	N/A	11	bushing, air flaps	283825	€ 8,81
12	Seal, fresh air flap	283110	€ 70,00	12	Rubber seal, air intake flap	283810	€ 28,39
13	A1138300118 Air filter, air intake	283111	N/A	14	1 pair brackets, fresh air flap,	283897	€ 40,79
14	Bracket, fresh air flap	283097	€ 50,99	20	yellow zincd		
					heater valve R113	283815	€ 235,20

20	Heater radiator, Repro, incl valve	283618	€ 844,90	20	We would be happy to advice you	283818	€ 638,90
21	Sealing ring, heater valve	283022	€ 2,31	22	Heater radiator o		
22	Abdeckung Wärmetauscherventil	298845	€ 6,77	22	Closing disc	298045	€ 6,68
25	Rubber grommet, inlet	299003	€ 3,55	24	Valve insert, eg heater core W113	283814	€ 26,97
27	Ball Grommet for Bulkhead	283032	€ 25,75	26	Rubber grommet, return	299004	€ 0,50
30	Drainage Pipes			30	Adapted motor, no blower wheels,	283809	N/A
30	A0008351302 Motor, Heater blower	283009	N/A	31	no connection wir		
31	A0005467041 el.clamp, see154052	254063	N/A	31	A0008350704 Fan wheel,heater	283013	N/A
35	Seal, RH air duct @ firewall,	283039	€ 15,47	35	Seal, LH air duct @ firewall,	283038	€ 15,47
51	adhesive			45	adhesive		
51	We would be happy to advice you	283008	N/A	45	Profile, air duct, 1 Meter	283026	€ 13,01
55	Vent w..housg, ov			55	A1138300142 Fresh air flap, Lt.	283023	N/A
55	1 pair mix air flap	283822	€ 369,40	55	A1138300242 Fresh air flap, Rt.	283024	N/A
57	Strip,heater case,rubber,Rt., OE-	283028	€ 24,99	57	Strip,heater case,rubber,left, OE-	283027	€ 24,99
59	qual			60	A1138300119 Defrost vent	283005	N/A
59	1 pair brackets, inner air flaps,	283895	€ 37,13	60	channel, Lt.		
60	yellow zinced			63	Screw M6 e.g. Bonnet hinges	299289	€ 0,38
60	A1138300219 vent RH	283004	N/A	63	Hex nut M6, yellow zinc.	181023	€ 0,18
63	Seal, defroster vent duct	283033	€ 8,56	64	Rubbermount, defroster air duct	283837	€ 3,69
63	washer, 6,4 e.g. boot hinge	175005	€ 0,36	71	R113, 110/111 div.		
71	A1138330231 Bowden cable, inner	283002	N/A	71	1m cable coil, outer	183072	€ 2,90
71	Wire e.g. heater lever	283014	€ 2,62	73	Clip, bowden cable/ctl.	283034	€ 2,50
74	NI Lock disc,in. bowden cable	283036	€ 0,19	74	rest: Clip, bowden cable, see	775158	€ 3,57
75	round clips, vent bezels to dash	268143	€ 14,29	75	775858		
75	Flap w.handle, air duct bezel mesh	283089	N/A	75	Air vent jet w. mesh, chrome	283070	€ 350,92
80	Control disc,late FN red	283011	€ 26,82	80	Control disc,late FN blue	283010	€ 28,74
80	lever disc blue, 250SL from FN,	283710	€ 38,08	80	Control disc,late FNsmkd. gls.	283012	€ 24,97
80	280SL			80	lever disc red, 250SL from FN,	283711	€ 38,08
80	lever disc smoke, 250SL from FN,	283712	€ 38,08	85	280SL		
85	Red insert for escutcheons	183302	€ 3,99	85	Blue insert for escutcheons	183303	€ 3,95
86	Grommet, 4,5/10mm,	182005	€ 2,53	85	Vent-symbol "black target"	883302	€ 4,47
88	cable@wheelarch			87	Rubber grommet 5/10 heating	298875	€ 0,40
88	A0008210325 Plug, heating control	282170	N/A	88	Light bulb 12V/2W BA9s, long	299095	€ 3,45
88	A0008330052	883170	N/A	88	shape		
92	A1108201592 Knob, heater blower	282026	€ 59,99	90	Plastic lever, vent. @ dashb.	283819	€ 34,75
92	switch			92	Knob large, heater blower switch,	282726	€ 61,90
92	Knob,small,heater blower switch,	382825	€ 61,90	92	Repro w.chrome n		
92	see picture			92	Knob small, heater blower switch,	382826	€ 61,90
92	Knob, heater blower switch, Repro,	282826	€ 68,29	93	see picture		
93	optical shortco			93	Knob A/C Temp, blue dot	382028	€ 41,80
93	Knob, A/C-vent, green dot	382027	€ 52,30	95	Bolt + crown nut + shim, wire to	283108	€ 11,95
				95	lever		

88.b Chrome Parts, Outer Body

88.b Chrome Parts, Outer Body



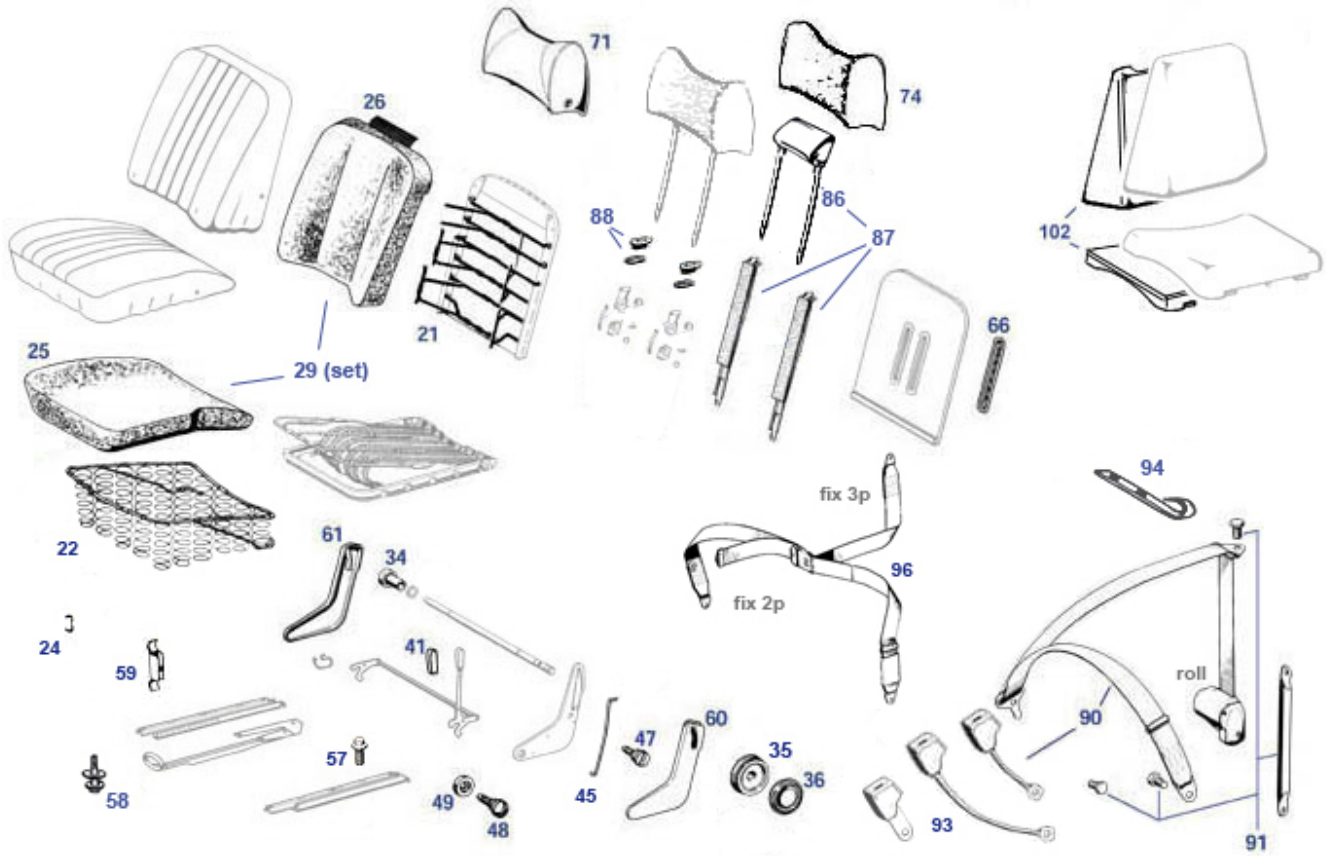
	Chrome surround LH, taillight early	282132	€ 247,34		Chrome Air intake ornamental mesh, Reproduction, for comparison purposes: Similar to Set chrome trims 8-pcs, repro	283720	€ 731,22
	Chrome surround LH, taillight late	282152	€ 246,98		Chrome surround RH, taillight early	282142	€ 247,34
	N/A ! A0019885478 Clip, licence strip	270690	N/A		B-quality Chrome Bumper Repro rr. LH.	B288830-1	€ 236,81
	Set of 6 aluminum trims, Repro Profile, bumperette, grey	269880 189911	€ 759,71 € 9,21		A1138800023 front grille, complete	288200	N/A
	threaded stainless spacer, roof trims	299789	€ 29,75	1	This is the market-standard reproduction, recommend	288111	€ 619,86
2	N304017005006 N304017005006	288017	N/A	2	Nut, 5mm, right hand thread	199095	€ 0,24
2	Screw, stri	288711	€ 702,10	2	Screw @ front grille, hi gloss chromed	188171	€ 1,61
2	Grille frame, Repro	288711	€ 702,10	2	A1138880222 Grille frame	288011	N/A
2	complete screw set, chrome plated	299233	€ 399,90	2	Spring washer M5	299325	€ 0,11
2	Washer, chrome, high shape, fits up to 4mm screws	288013	€ 2,99	2	Dec. Strip, grille, Rt., Repro	288044	€ 239,99
2	Screw @ front grille	188071	€ 1,90	4	Bolt M5x10,i.e. Star->Frame, industrial chrome fin	288048	€ 1,45
4	Dec. Strip, grille, Lt. Repro	288033	€ 239,99	4	A1138800186 Star with barrel, original	288045	N/A
4	Pair dec. chrome rails in front grille, repro	288834	€ 279,65	5	1138800485, RH	288066	€ 264,44
5	Washer, Star/frame	288047	€ 0,55	10	1138800385, LH	288055	€ 264,44
11	A1138170016 Emblem, star, hood / bonnet	281010	N/A	12	A0009831292 Felt strips on mesh	288065	N/A
12	Metal screw 4,2x13 SW7 N007976004203	299044	€ 0,44	12	Dec. strip, wing, front, Rt.	269080	€ 204,14
12	Washer, e.g. screws @ mesh	299045	€ 0,21	15	Dec. strip, R113 @ door, Lt, chromed brass	272250	€ 360,00
20	Screw for chrome strips	269164	€ 0,13	20	Dec. strip, rr,Rt.,before whl.	269120	€ 228,00
20	GarnishmouldgR113frttt	269070	€ 204,14	21			
21	Dec. strip, R113 @ door, Rt.,	272260	€ 310,00	22			

	chromed brass						
22	Dec. strip, rr,Lt.,before whl.	269110	€ 195,52	23	Dec. strip, rr,Rt., after whl.	269160	€ 308,16
23	Dec. Strip, rear RH, after whl.	269261	€ 185,71	23	Dec. strip, rear LH, after whl.	269251	€ 241,99
23	Dec. strip, rr,Lt., after whl.	269150	€ 308,16	24	1m Rubber profile @ heavy trims	272166	€ 5,36
24	1m Rubber profile @ heavy trims	272266	€ 8,33	28	NL Wheel arch stainless st. 4pcs	264001	N/A
30	A1136980280 Dec. strip ALU, Rt. front	269100	N/A	30	Dec. strip ALU, Lt. front, repro	269692	N/A
30	Dec. strip ALU, Lt. front, repro	269690	N/A	30	A1136980180 Dec. strip ALU, Lt. front	269090	N/A
31	A1137280135 Dec. strip, ALU R113 @ door	272270	N/A	31	Dec. strip, ALU R113 @ door RH, repro	272672	€ 99,00
31	Dec. strip, ALU R113 @ door LH, repro	272670	N/A	31	A1137280235 Dec. strip, ALU R113 @ door	272280	N/A
32	A1136981280 Dec. strip ALU, Rt., raer	269140	N/A	32	A1136981180 Dec. strip ALU, Lt., rear	269130	N/A
32	Dec. strip ALU, Rt., rear, repro	269640	N/A	32	Dec. strip ALU, Lt., rear, repro	269630	N/A
33	"Clip"blue"f.aluminumtrim@w	269171	€ 2,92	33	Clip, dec. strip, plastic	269161	€ 1,79
34	Plug, for dec. Strip	272281	€ 0,86	35	Lock washer, alu. dec. strip	272283	€ 0,71
36	Fitting Kit for Alu garnish strips	269863	N/A	40	Dec.strip, below Eur-licence plate	269040	€ 81,99
41	Clip, licence strip	270689	€ 13,17	42	Clip, licence strip	269690	€ 3,50
43	Rivet, rear window drip strips	270691	€ 0,20	45	Trim RT, stainless steel, polished	269860	€ 107,99
45	Trim LT, stainless steel, polished	269850	€ 107,99	45	Pan head tapping screw 2,9X6,5 zinc plated	299049	€ 0,06
45	Trim LT, brass chromed, fitment @ lock problem	269050	€ 103,51	45	Trim RT, brass chromed, fitment @ lock problem	269060	€ 103,51
46	Rubber profile, 1m, for 269050/060	269056	€ 8,22	46	Rubber profile, 1m rear lights, R113	282157	€ 8,22
47	Chrome cap B-pillar left 230SL up to 02.1966	269829	€ 243,95	47	Chrome cap B-pillar RH 230SL up to 02.1966	269839	€ 243,95
47	Chrome Cap B-pillar RT from 03.'66	269840	€ 285,66	47	Chrome cap B-pillar left, from 03.'66	269830	€ 285,66
47	Flat headed screw M4x7 chrome	269243	€ 0,19	47	Chrome screw N/A, replace by 269842	269242	N/A
50	A1138800170 Bumper R113, front Lt. orig	288090	N/A	50	Repro significantly different from genuine parts.	288890	€ 305,24
51	A1138800270 Bumper R113, front Rt. orig	288100	N/A	51	Repro significantly different from genuine parts.	288800	€ 305,24
52	inner dimension upper leg: ca. 80mm	288110	€ 91,00	52	inner dimension upper leg: ca. 83mm	288910	€ 150,00
53	Licence plate underlay, fr./rear, s-steel polished	588088	€ 11,90	53	Licence plate underlay, stainless steel, inner wid	988788	€ 29,75
53	A1108850081 No./Licence plate underlay	288089	N/A	54	Washer, No./Licence plate	188098	€ 2,82
55	Bracket, front bumper, Lt./Rt.	288115	€ 106,64	55	Bracket, front bumper, Lt./Rt. see 189911	288815	€ 73,95
56	Join plate screw M8 e.g. bumper joints	288105	€ 1,20	58	A1138800255 GuardFN,front.bumper, Rt. dummy pin, chrome plated 22mm head	189011	€ 8,29
58	A0009872560 A0009872560 or see 188093	299959	N/A	58	Repro significantly different from genuine parts.	299956	N/A
58	A1138800155 Guard(US ,front.bumper, Lt. dummy pin, chrome plated 12mm head	299955	N/A	58	Repro significantly different from genuine parts.	988106	€ 2,62
58	dummy pin, chrome plated 12mm head	988105	€ 2,31	60	Repro significantly different from genuine parts.	288830	€ 415,00
60	A1138800371 Bumper R113, rear, Lt.	288130	N/A	61	Repro significantly different from genuine parts.	288820	€ 415,00
61	hex head screw M10 X 20, 10.9 zinc plated	235315	€ 1,40	61	A1138800471 Bumper R113, rear, Rt.	288120	N/A
62	Washer 2mm, thick, exh-manif, bumpers .	214008	€ 0,56	62	Bracket, rear bumper, Lt./Rt.	288825	€ 96,90
62	Locking ring M10	299328	€ 0,38	62	Bracket, rear bumper, Lt./Rt.	288125	€ 153,61
62	Screw, bumper bracket	288116	€ 0,76	64	A1138800455 GuardFN,rear bumper, Lt/Rt.	299957	N/A
65	Handle, chrome, trunk lid	275010	€ 160,00	66	Rbr underlay,boot lid handle 113,111,10	275011	€ 7,82
67	A1137580058 Mercedes star, trunk lid	275020	N/A	69	Type designation: 230SL	281020	N/A
70	Type designation: 250SL	281021	€ 145,00	71	Type designation: 280SL	281022	N/A
72	Type designation: Automatic	281025	€ 100,00	73	O-Ring blk rubber, eg Type signs	281027	€ 0,13
74	Clip, 'Automatic'	281024	€ 0,20	74	Clip, inner diam. 3.5mm, fits pins 4mm	281026	€ 1,18
80	Rear view mirror, Lt. early, B-quality	281030	€ 101,45	80	Rear view mirror, Rt. early, B-quality	281040	€ 100,90
81	Rubber pad mirror ->'67, fits L/R	281035	€ 2,64	82	Replacement glass, tinted	181026	€ 23,80

83	A0008110165 Replacement nylon bezel	181027	€ 14,70	84	Mirror head ->67, Repro, clear	181125	€ 47,10
85	Rear view mirror, Lt. late, B-quality	281050	€ 101,39	85	Rear view mirror, late, rt. B-quality	281060	€ 101,39
86	Mirror underlay "trapezoid" '67->	281855	€ 2,56	87	Mirror glass, flat, tinted, fits late m	281061	€ 23,80
88	Ring, glass retention, 1967-> (trapez)	281062	€ 17,26	89	A1158100116 Mirror head, Lt. late	281051	N/A
89	A1158100216 Mirror head, Rt. late	281052	N/A	89	Mirror head '67->, RH, quality deficits, Repro	281852	€ 32,50
89	Mirror head '67->, LH, quality deficits, Repro	281851	€ 42,00	90	Hidden bracket, door mirror late	281056	€ 14,40

91 Seats

Seats: 03.'64 (230SL) the lower part of the seat was changed, 08.'66 (230SL) came a thicker backrest and with it the space for headrest mounts. For seat item requests, please send us a photo of the seat. Belts: 3-point roll-up belts are not planned in the body and are therefore an individual retrofit. There are various provider suggestions with advantages and disadvantages, we will be happy to advise you. Please plan the belt retrofit in good time, body work may be necessary. Without such conversions, the static belt can 299962 be used, which is available in different colors on request (delivery time).



A0009842061 Clip, cover fitting	191026	N/A	del-t Chr. plate ,inner,lt.Rt.FN	291237	N/A
bolt belt supports, 20-UNF 7/16X1-1/4	299979	€ 2,65	A1139130637 Leaf spring, backrest, Rt.	291626	N/A
A1139130537 Leaf spring, backrest, Lt.	291625	N/A	thread plate for belts	299985	€ 16,11
Support,lower belt shackle->B-pillar	299986	€ 20,09	Rod, 113 belt supp.reinf. see MB-hint	299987	€ 17,10
Screw for belts	299988	€ 3,30	Cover for belts	299989	€ 1,25
Screw for belts	299990	€ 1,36	SL 107 Seat Belt Butler Holder	786150	€ 26,22
Head rest, uncovered	291640	N/A	Guide material PP,		
del-t Chr. plate ,outer,lt.Lt.FN	291235	N/A	del-t Chr. plate ,inner,lt.Lt.FN	291238	N/A
rubber buffer for bucket seat	191191	€ 33,32	del-t Chr. plate ,outer,lt.Rt.FN	291234	N/A
Rest: mesh and frame orig.MB, plastic	291070	N/A	Adjuster shaft (noteeth - version) 230SL	291253	€ 39,61
1 Cover, squab, blk. FN Lt.	291100	N/A	2 Cover, squab, black FN! Rt.	291200	N/A
2 A11391006479000 Cover, backrest, black	291180	N/A	21 Cover, backrest, black Lt./Rt. FN !!	291190	N/A
22 seat spring core left	291210	€ 250,00	A1139100634 B'rest frame,mid. FN Lt.+R	291340	€ 289,99
24 100pcs Osborne hog clips	991981	€ 6,55	22 seat spring core right	291220	€ 250,00
25 pad, rubber fibre, seat LH	291950	€ 267,75	25 pad, rubber fibre, seat RH	291960	€ 267,75
25 Foam seat cushion LT (asym.)	291850	€ 184,45	25 Foam seat cushion rt. (asym.)	291860	€ 184,45
25 A1139140314 Seat pad, Lt. late	291150	N/A	25 A1139140414 Seat pad, Rt. late	291160	N/A
26 pad, rubber fibre , backrest L or R	291940	€ 172,55	26 Foam cushion backrest 113 late	291870	€ 170,00
30 Bracket, b'rest ,late FN,Lt.	291610	N/A	26 A1139140116 Seat pad, backrest,late Lt.	291170	N/A
33 N006799009002	291628	N/A	32 A1139100198 Shaft, reclng. mech. FN	291630	N/A
			34 A1139100273 Roller, backrest adjuster	291632	N/A

34	bushing, seat rest adjuster shafts	291832	€ 9,29	35	Hand wheel,late FN (fits serration shaft)	291635	N/A
35	Seat adjuster wheel 1st gen., metal repro	291631	€ 155,00	35	seat adjuster wheel 230 SL FN	291831	€ 77,35
36	Cap für adjuster wheel 230SL late, 250-280SL	291836	€ 49,99	36	Cap for adjuster wheel 230SL late, 250-280SL	291636	€ 76,79
36	cover,hand wheel, seats up to 07.'67, others	291639	€ 34,45	40	A1139100276 Lever, reclng. mech. Rt.	291638	N/A
40	A1139100176 Lever, reclng. mech. Lt.	291637	N/A	41	Knob, ivory @ R113 seat adjuster	291243	€ 23,80
41	Knob, seat adjuster, black	291242	€ 23,80	44	A1139130437 Spring, lever, Rt.	291634	N/A
44	A1139130337 Spring, lever, Lt.	291633	N/A	45	flexible spring at backrest bracket left	298407	€ 13,76
45	Bending spring on the backrest bracket on the right	298408	€ 13,76	47	Screw,'L' plate /backrest,	298701	€ 36,49
47	Upper Plastic Buffer Seat A1139180096	298402	€ 7,85	47	Screw,'L' plate /backrest,	298401	€ 40,81
47	bolt early seat 230SL, see picture	298406	€ 17,01	48	Bolt as per illustration	298405	€ 40,81
48	Bolt M10, 32mm thread	298805	€ 42,70	49	Spacer ring, 'L' plate, stainless steel	298703	€ 18,87
49	Spacer ring, 'L' plate, steel, zincd	298803	€ 19,37	50	A1159100905 Sliding seat rail, outer, L	291350	N/A
51	A1139100305 Sliding seat rail, inner, l	291400	N/A	51	A1139100405 Sliding seat rail, inner, R	291300	N/A
53	A1139100205 Holder, sl. seat rail, Rt.	291306	N/A	57	Bolt, seat lower rail to support (floor structure)	299851	N/A
58	NI Screw, sliding seat rail	291309	N/A	59	Clamp for the seats W113 Pagode 230-280SL	291245	€ 18,64
60	Pair chrome covers, seat LH, early styl	291232	€ 198,00	60	Pair chrome covers, seat RH, late styl	291248	€ 188,70
60	Pair chrome covers, seat LH, late style	291247	€ 188,70	60	Pair chrome covers, seat RH, early styl	291233	€ 198,00
66	Mesh and ornamental frame, metal	291770	€ 324,99	66	chrome surface may have small dots	291970	€ 163,49
71	Leather cover headrest 113, example: grey	293130	€ 130,90	74	Headrest foam insert w/o Attachments	291748	€ 58,31
74	Headrest foam insert w/o Attachments	291648	€ 72,59	74	rubber hair pad, head rest insert	291948	€ 160,65
78	oval eye, headrest rods	291843	€ 2,90	79	A1239880382 Escutcheon, lower, replaced	791644	N/A
80	for 1 seat, no cushion, no upholstery	291647	€ 740,00	80	A1139700550 Fittings, headrest, per sea	291642	N/A
86	Headrest raw frame with legs	291645	N/A	90	Seat belt lock 22cm	299970	€ 23,80
90	Seat belt 3pt Aftermarket 22cm lock	299964	€ 68,89	90	Automatic 3pt belt R113 subsequent	299973	€ 105,90
93	Seat belt lock 30cm	299943	€ 23,80	93	Seat belt lock 45cm, requires fixture as manual 9	299944	€ 23,80
96	pelvic seat belt "static"	299968	€ 112,99	96	Seat belt "static" 3-point, black	299965	€ 84,75
96	Seat belt "static" 3-point, black, chrome lock	299962	€ 135,01	100	Leather for 3rd seat, e.g. black	293190	€ 499,80
102	rr seat framework + cushion	268875	€ 549,99	102	rr seat framework + cushion	268375	€ 929,99

99.a Accessories

99.a Accessories



	wheel mounting aid, aluminium, 130mm, M12 X 1,5	740213	€ 14,25		NI Fuel canister, 7 ltr.,orig	259050	N/A
	Washer 13mm e.g. prop shaft disc bolts	741122	€ 0,50		Jack/tool support	164054	€ 126,00
	Tire jack holder 190SL	164043	€ 130,00		Knob, radio	254850	€ 32,00
	1 pair of tire protection underlay pads	940900	€ 52,00		Key ring model car R113	299999	N/A
	Wheel clamp, anti-theft	940901	€ 53,55		Wheel clamp, anti-theft "Nemesis"	940902	€ 261,80
	Just info: simplified replacement instead Auta6000	299935	€ 176,72		Lift adapter 108-111-113	258610	€ 163,49
	Support, Tire holder @ inner wheelarch	164058	€ 91,40		label: tire pressure W109	899951	N/A
	fly wheel extracting tool	258205	€ 308,20	1	Spare wheel holder	240015	€ 463,60
2	Wing screw 230SL FN	240006	€ 42,53	3	A3269900740 Washer, wing screw	240009	€ 16,54
5	A0009872141 Wing screw rubber washer	240017	N/A	6	Cone handle screw, horiz.spare tyre	240018	€ 115,00
6	N/A: Cone handle screw, horiz.spare tyre	240818	N/A	7	Plate, spare tyre screw	240019	€ 65,55
7	Plate, spare tyre screw	240819	€ 69,62	9	A1158900014 Screwplate with offset lev	240014	€ 240,00
10	leatherbag for chrome handle cognac	258804	€ 28,62	10	leatherbag for chrome handle black	258802	€ 28,62
10	leatherbag for chrome handle red	258803	€ 28,62	10	Tool bag without tools	258106	N/A
10	Tool bag without tools	258806	€ 48,79	11	A1125800203 Toolbag with tools	258100	N/A
14	A0005810317 NI Screwdriver set, 3 piece	258085	N/A	14	Wheel nut wrench, orig, latest version	259101	€ 23,50

15	Mountg.bolt f.tyre service, genuine	259109	N/A	15	Mounting bolt for tyre service, chromed	259809	€ 49,24
15	wheel mounting aid, aluminium, 100mm, M12 X 1,5	740210	€ 12,95	19	Safety wedge f.tyre service	258110	€ 286,20
30	25Amp fuse, short version, NOS	258991	€ 5,69	35	Vinyl covering, spare tyre (horizontal)	289889	€ 221,99
35	Staubfrei Handfeger Cotton, 35cm	999915	€ 49,99	40	Label set, 9 piece, self adh.	299950	€ 30,64
41	N/A ! A1135840039 Gummed label, Tyre pressure	299951	N/A	42	Gummed label, M130 Valve Cover	299953	€ 6,25
52	Book: Glenns MB Repair & Tune Up Guide	111301	€ 26,75	52	N/A ! Book MB Roadster&Cabrios '49-'89	911310	N/A
52	Haynes'Owners Manual'250-280, 68-'72	211301	N/A	52	"Book:"Buyers Guide Pagoda", Brass"	211306	€ 23,54
52	Buch "Faszination SL" W113 G.Engelen	211307	N/A	52	n.a.Book "Die Sternen Maler"old commerc	911311	N/A
52	Book(german) MB190SL,230-280SL	211300	€ 53,39	52	Book "Ultimate Portfolio" SL'63-71	211308	€ 31,67
55	Antenna, manual, red knob	299967	€ 101,95	55	Retro-Radio "Hermosa"	299940	N/A
55	Antenna, manual	299974	N/A	55	Rest: Antenna, Autm. Hirschmann, see picture	299975	N/A
55	Antenna, manual, red knob, Hirschmann	299976	N/A	55	Antenna insert 900mm	799970	€ 15,91
60	Wind mesh "Weyer" 230-280SL Pagoda	286805	€ 475,99	60	Wind mesh "Weyer" 230-280SL Pagoda, For vehicle wi	286806	€ 379,00
60	Wind mesh "Weyer-Premium" 230-280SL Pagoda, premiu	286807	€ 499,99	69	Speedo watch 280SL pagoda	299996	€ 169,99
69	Armbanduhr "Tacho-Design" Strich-Acht	599996	€ 169,99	70	Car cover "FirstClass", Sport large blue	799800	€ 199,99
70	Car cover, W113, Pagoda, outdoor	299906	€ 355,81	70	Car cover W113, Pagode	299905	€ 249,90
70	Indoor Car Cover Premium, "L", grey	299909	€ 89,86	80	1 pce Wing prot.cover, cotton, magnet	999922	€ 37,00
86	professional battery charger 10A	954090	€ 267,75	86	Accu-Refresher controlled charge	954085	N/A
86	Accu-Refresher CTEK 7Amps, charge+maint	954087	N/A	90	Battery main switch	954088	€ 26,00