

Mercedes W111 W108 W114...



Content

01, 03 Frequently required engine parts M180	5
01, 03 häufig gefragte Motorteile Limo-Benziner ab 1968	7
07/09/14 Air/Fuel, Carb-models '59-'76	8
07 injection systems components if not found in "SL"	10
15 Ignition, Generator, Starter for Petrol engines R4 and R6	11
15.i Distributor rotors, info	11
15.z Spark Plugs Table BOSCH BERU NGK	11
15.c Ignition 4-cyl div. 190-230	12
15.d Ignition 6-cyl div. 220 to 280	13
15.e Starters and Generators div	13
22 Engine mounts W111 Cpe. front	14
22/24 Engine Mounts W111 Cpe. rear	15
25 Clutch, from Ponton up to 114/115	16
25.h, 29 hydraulic components, clutch release	16
25.i Info Ausrücklager Ponton bis 114/115	16
25.z Test-Category organisationally, no content	17
26, 27 frequently asked transmission parts Aut+Man	18
32/35.i Info Hyd. pneum spring assy W110, W111, W108	19
33 Front suspension	20
33.a Front suspension 1955-1961	20
33.b Front suspension 1959-1972	21
33.c Front suspension W114, ...	22
33.d Front suspension 116,123,126	24
35.a Rear Suspension 1955-1962	26
35.b Rear Suspension 1959-1972	28
40, Wheel lug bolts M12, assorted by overall length	30
41.d Flexible prop shaft discs by dimension	31
42/43 Brake: Mastercyl., Lines	32
42/43 Brake (at wheels) 1958 - 1973	34
42/43a Brake discs, several Types 1965 - 1989	36
42.e Brake pipes assorted by length	37
46.c Power Steering Pump V8 "Vickers"	39
47.a Tank Ponton	40
47.b Fuel tank W108-112 S/SE div.	41
47.d el. pump, fuel supply "SE-Types"	43
49 Exhaust 220SEb	45
49a Exhaust 250/280SE/C, mild steel	46
49b Exhaust 280SE/C 3.5	47
49c Exhaust, 4-cyl. 1955-1967	48
50 Cooling System	50
50.c Radiator hoses from 220 up to 3.5	50
54c Electric, universal small parts at wiring	52
58 Tools for classic MB veh., non universal	54
61.b Floors and Rep-Panels 1959-1972 "Platform 110"	55
61.c Floors- and Body Rep.-Panelling Types from Platform 114	57
61.a Floors1955-1962 "Platform Pontoon"	59
61/62 W111Cpe/Cab Front and Floor	60
63/64 Panelling Tail+Roof W111Cpe/Cab	62
67.d Window and seal W111-2-door	64
67.c Windows and Door Ponton Cpe/Cab	65
67.g Window glass, G-models	66
67, 72, 75 Weatherstrips Coupe 114, 123, ..	67
68 111Cpe Covering Interior, Insulation	68
69/88 Trims at Sidepanel	70

67/72/75 Weatherstrips 4-door vehicles	72
67/72/75 Weatherstrips W110+111+112(4-door), 108+109	72
67/72/75 Weatherstrips W114+115(4-door), W123, W116	72
72/75 Weatherstrips W126 (4-door), W201, W124	73
73/74/75 Weatherstrips "station" 5-door	73
72.b Doors W111 Coupe/Convertible	74
75 Bootlid W111-108	76
81/86 Outer Mirror, Wiperblades, Wheel Trim	77
82.c Tail Lights W111-2-door (Cab/Cpe)	79
82 Headlamp S/SE/SEb/SE C	81
83 Heater System W111 Coupe/Cabriolet	83
88.c Body attachments W111 late style	85
88 Front Grille Trim	86
91 Seat komponents fitting 110 up to 116	88
97 flexible hoses, by meter, assorted by inner diameter	89
98.c panelling nuts, mechanical locking nuts	91
98.d Seal rings of metal or rubber, Fittings	92
98.e fitting components, plastic, small	93
98.f Filament light bulbs	94
98.a Rubbergrommets sorted by design	96
98.b frequently required screws for equipment	99
98.g V-Belts, Ribbed V-Belts	105

SLS Import- und Export Handelsgesellschaft mbH
Jacobsrade 27 · D-22962 Siek
Tel. +49(0)40 656 939-0 · Fax +49(0)40 656 939-399
I-net: www.sls-hh.de · e-mail: service@sls-hh.de

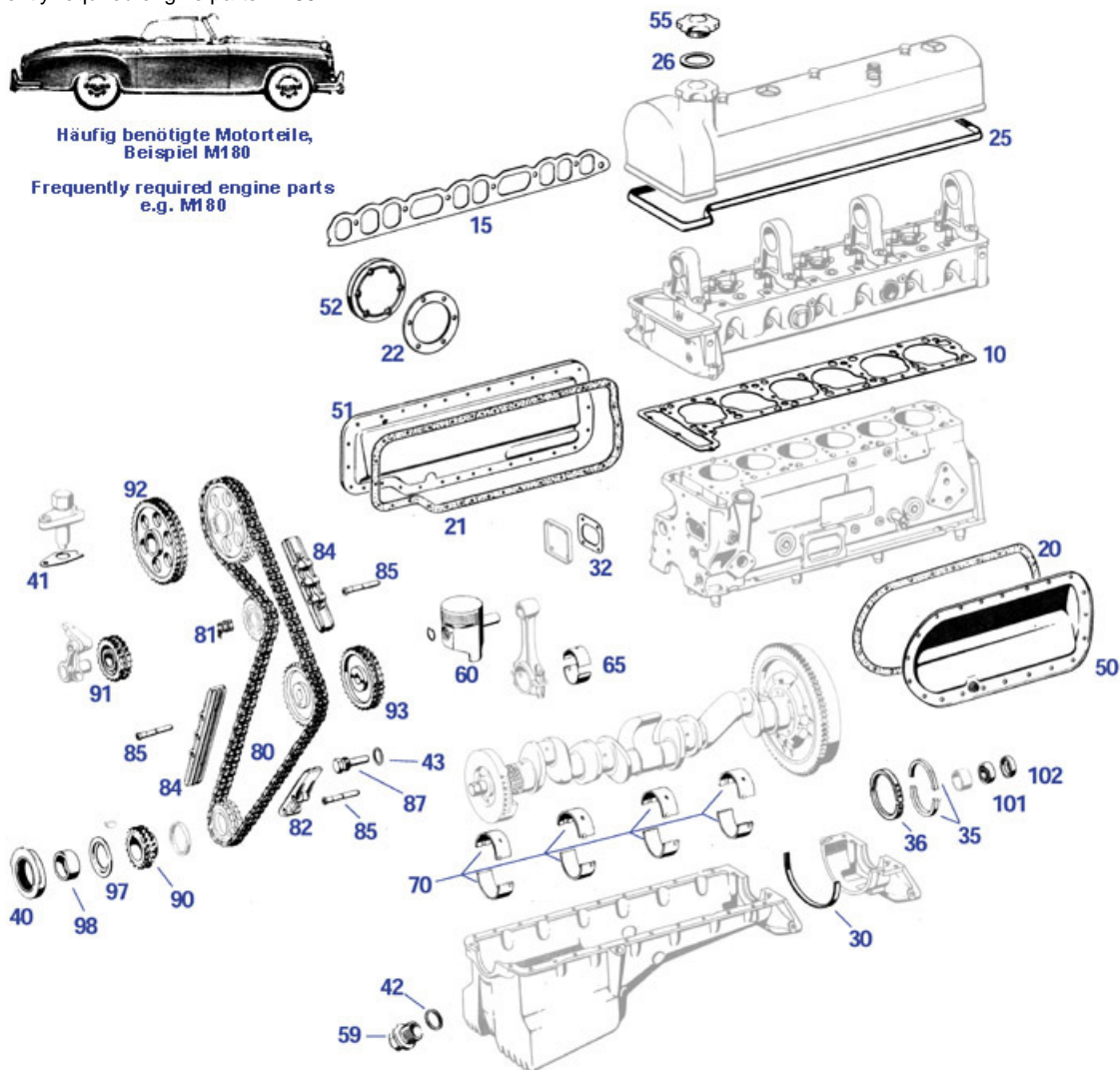
01, 03 Frequently required engine parts M180

01, 03 Frequently required engine parts M180



Häufig benötigte Motorteile,
Beispiel M180

Frequently required engine parts
e.g. M180



	Sicherungsdraht für Gleitschiene	405099	€ 2,03		hex. socket head cap screw 12.9 M12 X 110	801110	€ 3,69
	Typ 80V16, Kompressionshöhe 42mm, Bolzen 24mm	403033	€ 375,83		Head gasket set Ponton 190 b	402210	€ 160,41
	Cyl head gasket 220SE/SEb except LowComp	301021	€ 287,39		see 105830	105030	N/A
10	Bolt, hand driven, valve cover head gasket, referring 1800710080	105105 801021	N/A € 224,90	10 10	Cylinder head gasket 220S.. FN Cyl head gasket M130V early (eng-no!)	401023 801020	€ 399,00 € 83,94
10	A1800165120 Cylinder head gasket M180 t	401025	N/A	10	head gasket similar 1800164620, e.g. M180 - 8,7:1	401024	€ 130,00
15	Gasket, in/outlet manifold,	414080	€ 14,72	19	valve shaft seals 230 (180.945)	305088	€ 12,98
20	Gasket for 401002, M180	401030	€ 14,88	21	Gasket for 401000, M180	401099	€ 16,66
22	Gasket,water valve cover, 6-hole	201029	€ 2,00	25	Rockerbox gasket6-cyl: 220S/SE-280S	401010	€ 8,87
26	ID 46,5, OD 65	101055	€ 4,30	30	A1860140180 Oil sump gasket M180	401001	N/A
32	A1140110080 Gasket, crankcase, front	401035	€ 9,98	35	Felt-seal rr crank, 6mm ->05.61	105047	€ 6,88
36	A1800310058 Sealing ring holder, rear,	405046	€ 145,00	40	45x67x8mm, no collar	303046	€ 12,20
40	45x67x12/13mm, Version see Picture, M 108, 114	203046	€ 20,38	40	45x67x72x12/13, ELRING, collar half outer	203946	€ 13,55
40	45x67x72x12/13, ELRING	303946	€ 9,38	41	Chain tensioner	205130	€ 285,60
41	Gasket,tensioner to head,921->018422	105135	€ 12,88	42	Sealing ring fits lage sump drain plug (M26)	299301	€ 0,60

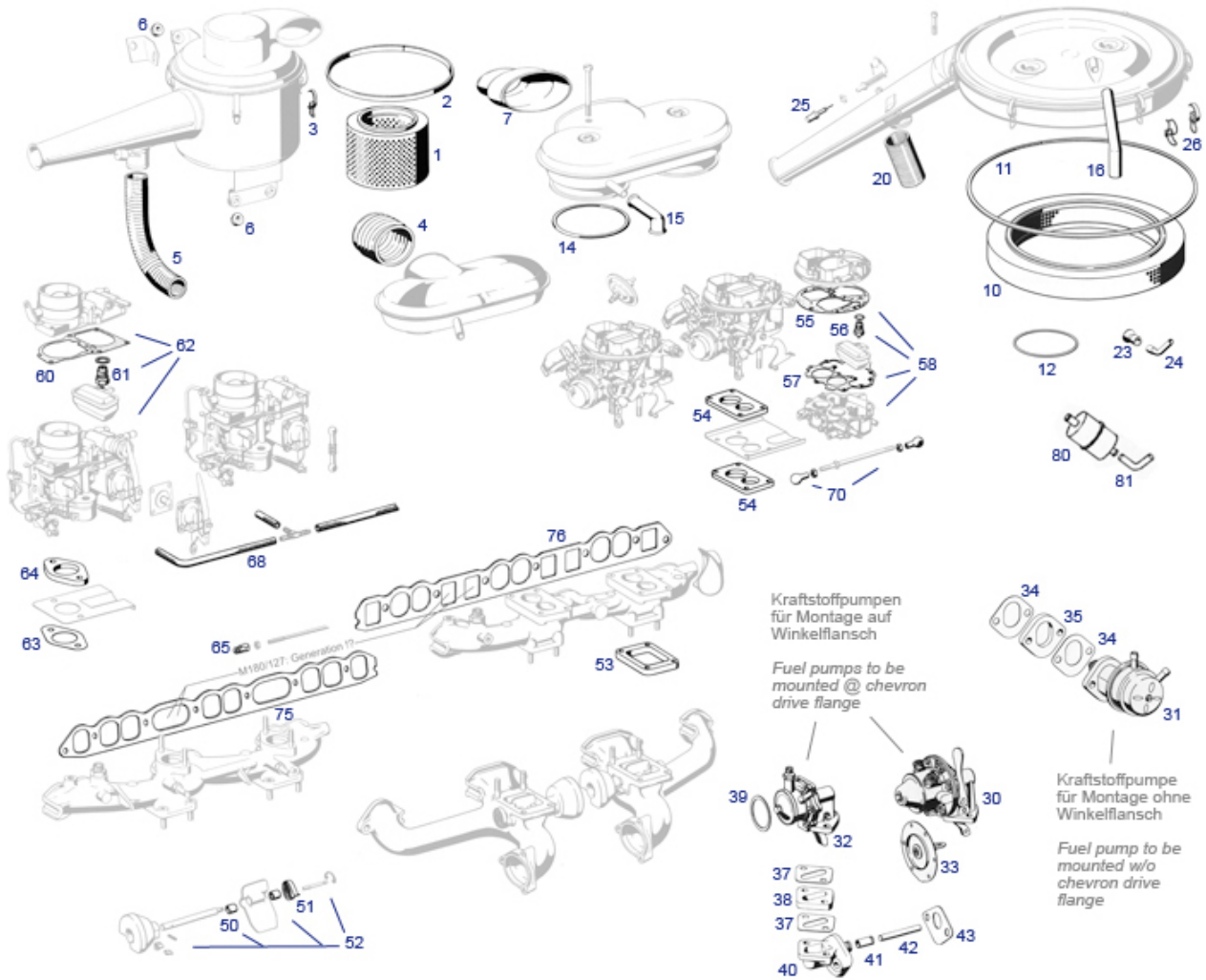
43	Seal ring f. bolt 705004	705005	€ 0,68	50	A1800100510 Crankcase side cover, lt.,	401002	€ 399,00
51	A1800150505 Crankcase side cover, rt.	401000	€ 255,01	52	Cylinder block cover, 6-hole	201026	€ 2,09
55	Oil filler cap, metal/screw on	250111	N/A	55	A1365010054 Oil filler cap	250101	N/A
59	Sump plug, version inhex	299300	€ 4,76	60	Typ 80V16, Kompressionshöhe 42mm, Bolzen 24mm	403031	€ 376,85
60	Typ 80V16, Kompressionshöhe 42mm, Bolzen 24mm	403028	€ 375,30	60	A1800380350 Little end bearing M180.920	403999	N/A
60	N/A ! A1800301018 last on stock: Piston M180	403030	€ 380,00	65	A1800301160 Con. rod bearing set 47.75	303131	€ 998,99
65	A1800301060 Con. rod bearing set, stand	303130	N/A	65	A1800301260 Con. rod bearing set 47.50	303132	N/A
70	Cranks.bearing set 60.00 , M127	203036	€ 199,99	70	Cs.bearing set 230SL 59.00mm	203040	€ 176,00
70	Cs.bearing set 230SL 59.25mm	203039	€ 163,86	70	Cs.bearing set 59.50mm M127	203038	€ 189,45
70	Cs.bearing set 230SL 59.75mm	203037	€ 190,00	80	Timing chain M180	405003	€ 62,90
80	Roller chain M115...	599013	€ 52,06	81	MasterLink Duplex chain (content of chain)	199013	€ 2,55
82	M921: 1x; M928 2x; R113:2x,	205010	€ 3,00	82	fits: 1x in 121.921 , 2x in 121.928 others ..	105006	€ 189,97
82	Guide rail	505004	N/A	84	Chain guide, long, alu base	105004	€ 145,92
84	many R47R6 engines, lower RH position	205029	€ 3,67	85	Pin, 51mm- until 8501731	105820	€ 10,76
85	Bolt, version 48,5mm, for div. guide rails	105830	€ 12,25	87	A1100520974 see 705804	705004	N/A
90	Crankshaft sprocket	103011	€ 32,67	91	Tensioner sprocket+bushing, Repro	105002	€ 156,95
92	Camshaft sprocket M121,127,129,130,.. FEBI	105001	€ 24,15	93	Intermediate sprocket, "B-quality"	105007	€ 96,15
97	Oil reject ring	103012	€ 7,79	98	Ring, spacer, 230-280SL	203045	€ 31,00
101	Pilot bearing	103093	€ 11,31	102	Cover, pilot bearing	103094	€ 1,81
999	1-2-3 distributor 6-cyl ->'62	415801	€ 355,00	999	Ölpumpe z.B. M115.920	518400	€ 160,28
999	Vorkammer 200 D	301999	€ 113,05	999	rail, chain guide, several M115 types	505006	€ 44,63
999	Metal tube, raw, ign.leads 6-Cyl	415110	€ 29,24	999	Ign lead set eg 220S Pontoon	415100	€ 107,10
999	OE quality	409030	€ 73,64	999	Vergaserüberholsatz Solex 32/34 PAITA	407150	€ 75,45

01, 03 häufig gefragte Motorteile Limo-Benziner ab 1968

Oil pan lower part: V8 sedan M116/M117 w.version s	701314	€ 38,18	Cyl head gasket M130V early (eng- no!)	801020	€ 83,94
head gasket, referring 1800710080	801021	€ 224,90	Cyl head gasket M130V from FN	801022	€ 64,76
Cyl-Head gasket e.g. 108.920	801023	N/A	Oil pan M121-115 several 4-door veh.	501201	N/A
Cyl head gasket e.g. 114.920	501022	€ 54,94	O-Ring Peilstabrohr zB 127.982	301397	€ 1,50
oil pan gasket, V8 with steel pan	701418	€ 15,14	Oil pan gasket, V8 with steel pan, ELRING	701401	€ 30,76
head gasket Elring 830187, try 801021 instead	801721	€ 46,93	A1890160620	301724	N/A
A1890160520	301725	N/A	Gasket intake/exh. manifold	414000	€ 17,99

07/09/14 Air/Fuel, Carb-models '59-'76

07/09/14 Air/Fuel, Carb-models '59-'76



	Air filter insert, e.g. 230/230C M115	509402	€ 27,44		A0005862209	509011	N/A
	A0000900251	509012	N/A		A0000941011	814609	N/A
	A0000941311	814608	N/A	1	Air filter element 220S, no-name product	409830	€ 53,55
1	Air filter element	409400	€ 35,33	1	Dichtung unter Micronic-Filter	409031	N/A
1	OE quality	409030	€ 73,64	1	Luftfiltereinsatz 200-250 kl.Tonnenform	809400	€ 21,54
2	Seal for Air filter Lid (1m) A0000942079	214020	€ 4,17	3	A0000941255 Snap fastener,air filter	214025	N/A
4	A1800940291	309004	N/A	4	A1290940082	809003	€ 89,99
4	Air hose ca. 200mm	809001	€ 53,10	5	A0000941582	409019	N/A
6	Rbr buffer e.g. air filter box	509405	N/A	6	A0009978781	598792	N/A
7	A1800940491	809005	N/A	10	N/A ! Air filter element e.g. M110 Carb	509409	N/A
10	Luftfiltereinsatz M130/114 V 250C/280S	509400	€ 30,80	11	A0010942380 Felt profile, e.g. Filter housing	714020	N/A
14	Seal ring carb/airbox, ref. A1239970145	509045	€ 6,14	15	Engine ventilation	209805	€ 5,02
16	A1140940082 Hose	809208	N/A	20	1m Papp-Flexschlauch verstärkt, 55/60mm	809019	N/A
20	A0010940082	309019	N/A	20	A0000946382	509019	N/A
23	A1140940191	509209	N/A	24	A1140940232	509007	N/A
25	A0000940464	509079	N/A	26	spring clip airfilter housing	814025	N/A
30	Fuel pump, as original with primer lever with gask	109090	€ 308,88	31	Mech. fuel pump, engines with no drive flange	509092	€ 70,50
32	Fuel pump similar 509190, but	509090	€ 97,28	32	Fuel pump, div., see picture	509790	€ 71,00

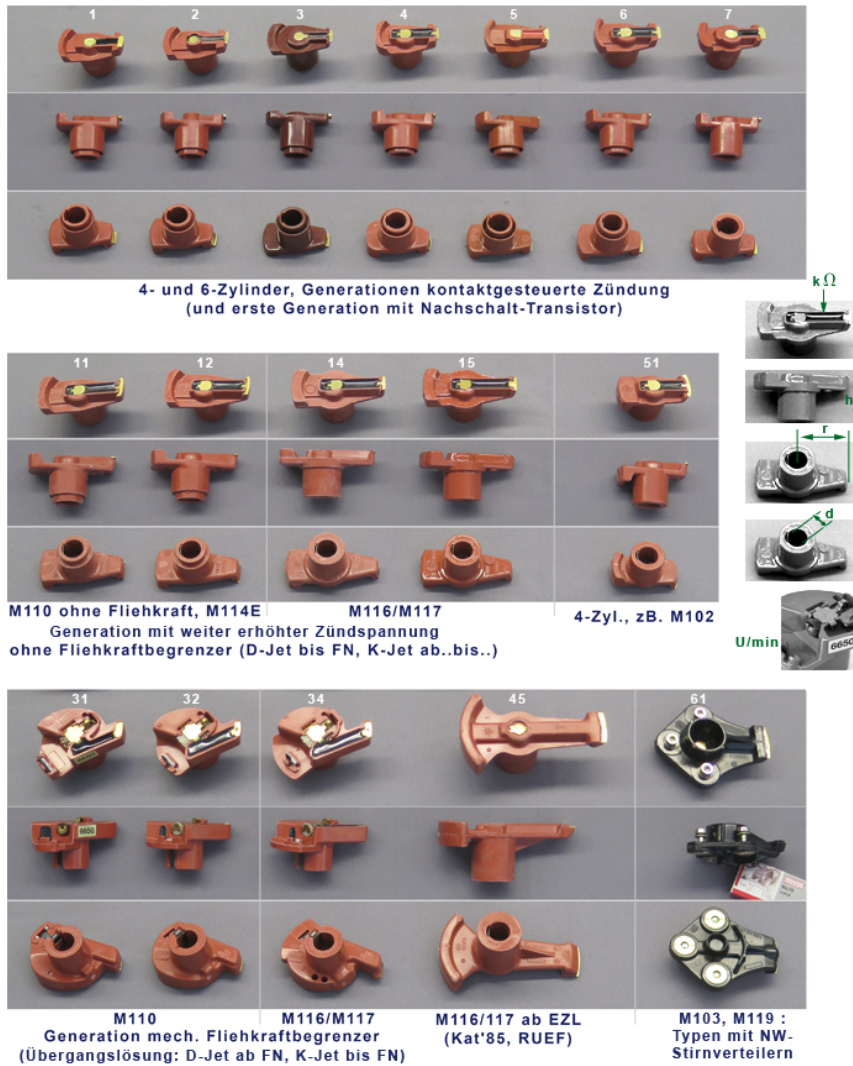
32	labelled "Pierburg" screw-in fitting,fuel hose connection, M12X1,5 8mm	409012	€ 6,19	32	Fuel pump, several carb cars e.g. 115	509190	€ 60,69
33	Repair Kit Fuel Pump A0005860009	109010	€ 93,91	34	Gasket at crankcase, 190SL, M110 early,	109004	€ 0,51
35	A1100910281	309003	N/A	37	Gasket, fuel pump to insul.flange	109002	€ 1,88
38	A1100900344	509003	N/A	39	A0000910260	509013	N/A
40	A1800900344	409003	N/A	41	A1800910150 Plunger bushing	109007	N/A
42	A1800910108 Actuating plunger	109006	N/A	43	Gkt.Rt.h. cover .982(7)986,990	709004	€ 2,34
50	Coil spring, warm up flap shafts	414016	€ 14,10	50	A1811430350	414017	N/A
51	A1219930425	414018	N/A	51	Thermo coil actor	414019	N/A
52	A1231400027	514250	N/A	53	Flange insulating	414100	€ 19,04
54	A1800710655	814004	N/A	54	A1801411462	514060	N/A
54	A1801411262	814060	N/A	55	A0000713980	807050	N/A
55	A0000713880	507050	N/A	56	A0000710944	507069	N/A
57	A0000714780	507060	N/A	58	Rep-kit carb. INAT 35/40	507280	€ 129,70
58	A0005868507	507236	N/A	58	A0005868607	507237	N/A
58	A0005863207	507234	N/A	58	A0005868407	507235	N/A
58	A0005860107	507233	N/A	60	Gasket Carb.lid	407060	€ 6,55
60	Dichtung	407050	N/A	61	A0000710843	407081	N/A
61	Dichtring zB am Nadelventil	499078	€ 2,17	62	Starterkraftstoffdüse "100"	407079	€ 16,27
62	A0000710134	407064	N/A	62	A0000713135	407062	N/A
62	A0000711049	407098	N/A	62	A0000700752	407045	N/A
62	Vergaserüberholatz Solex 32/34 PAITA	407150	€ 75,45	62	A0005866307	507230	N/A
62	A0005863807	507231	N/A	63	A1210710280	407020	N/A
64	A1150710581	407011	N/A	65	A0009911522	330004	N/A
68	Hose, 8,5/15mm, 1 metre	247050	€ 12,60	68	1m Fuel hose 5,5mm e.g. 107-fuel vent.	247047	N/A
68	1m. Fuel hose 7,5x13,0 flat surface	247007	€ 8,50	68	1m Fuel hose tank->pump 11/17mm, fabric	247005	€ 10,41
68	1m Fuel hose 5,5mm e.g. 107-fuel vent.	247847	€ 3,92	70	Nut, 5mm Lt. Hd. Threads	230006	€ 0,83
70	Nut, 5mm, right hand thread	199095	€ 0,24	75	Gasket, in/outlet manifold,	414080	€ 14,72
76	Manifold Gasket M127-130 "REINZ"	249090	€ 16,29	80	Fuel filter	447701	€ 2,38

07 injection systems components if not found in "SL"

Flange for 2 injectors, 220SEb	307017	€ 90,44	Hose	509229	N/A
hose, connects idle and breather system, M102 FN	509221	N/A	hose, idle air valve to manif. 102 FN	509219	N/A
hose, idle air valve to manif. 102 FN	509216	N/A	hose, idle air valve to manif. 102 early	509215	€ 7,34
breather hose eng-cover to filter, 102 late	509214	N/A	breather hose, eng-cover to filter, e.g. 230E/M102	509213	N/A
Luftfiltereinsatz zB M102/W123	609409	€ 13,26	Lower rubber housing, CIS-flap M102	W2414320	€ 58,89
Hose, IAC to KE bottom, M102 (no-AC)	509248	€ 7,91	Gasket	307088	€ 2,74
Hose, breather to IAC valve M102 KE	509249	€ 14,02	Inj-Distr-Rep-Kit 230	507804	€ 72,78
Inj-Distr-Rep-Kit 230	507805	€ 63,08	Inj-Distr-Rep-Kit W201/124	507802	€ 79,25
A1290940082	809003	€ 89,99	Air hose ca. 200mm	809001	€ 53,10
Rubber cap, ECU-unit connector	854359	€ 69,91	Air filter e.g. 220SE (127.980)	309401	€ 77,35
Gasket kit Inj-pump, fits engines 6.3	807630	€ 126,88	Inj-Distr-Rep-Kit 280 Alloy-K-A	507807	€ 82,49

15 Ignition, Generator, Starter for Petrol engines R4 and R6

15.i Distributor rotors, info



1	replaced into 715411 interchangeable with 215804 (Bosch)	715311 115004	N/A € 15,73	1	A0001582031	115904 115024	N/A € 18,80
3	Verteilerläufer	215002	N/A	3	Distributor rotor, phenolic resin	115026	€ 16,91
4	A0001582731	215911	N/A	4	Rotor arm, 280SL 'A', Bosch	215011	€ 34,99
5	interchangeable with 115004 (Beru)	215704	€ 14,88	6	interchangeable with 115004 (Beru)	215804	€ 45,73
7	Rotor, e.g. M130 E late, 5kOhms	815008	€ 18,85	11	Rotor e.g. M114.980	515812	€ 9,90
11	Rotor e.g. M114.980	515212	€ 21,97	12	Rotor 280 from 110.990 Bosch	715212	€ 31,59
14	Rotor, V8, eng Data req	715312	€ 66,75	15	Rotor V8 ca. '81-'85	715313	N/A
31	Rotor 280 w. overrun-off, pls eng no	715211	N/A	32	Rotor 280 with limiter 6600	715213	€ 217,87
34	Rotor 450 and 5.0 early: limiter 5850 U/min,	715411	€ 281,11	45	Rotor arm V8 09.85->	715412	€ 70,45
51	Rotor e.g. M102.980, BOSCH	515213	N/A	51	Rotor e.g. M102.96... from Cat/EZL	515214	€ 12,27
61	Distrib.rotor e.g. 300SL-24 M104 up to FN, Bosch	915311	€ 82,69	61	Rotor arm 300SL (M103), BOSCH	715314	€ 68,28

15.z Spark Plugs Table BOSCH BERU NGK

Rotor e.g. M102.980, BOSCH	515213	N/A	M102.96xx/98xx NO CAT, BOSCH	
1-2-3 Ignition Distributor fits multiple 4 Cyl. mo	515801	€ 355,00	Ignition lead set, div. M102	515124 € 74,85
Unterdruckdose	515034	N/A	Unterdruckdose	515035 N/A
Metal tube, raw, ign.leads 6-Cyl	415110	€ 29,24	1 m Zündkabel	515020 N/A
Pointer set e.g. Pontoon, see picture	415009	N/A	spark plug connector Bakelit angled	415056 € 14,99
Ignition lead set 200, e.g. W110, ..., copper leads	515120	N/A	Ignition lead set 200, e.g. W123 1978, ..., copper	515121 N/A
			Ignition coil, late 190SL, others, NGK	115602 € 43,85

15.d Ignition 6-cyl div. 220 to 280

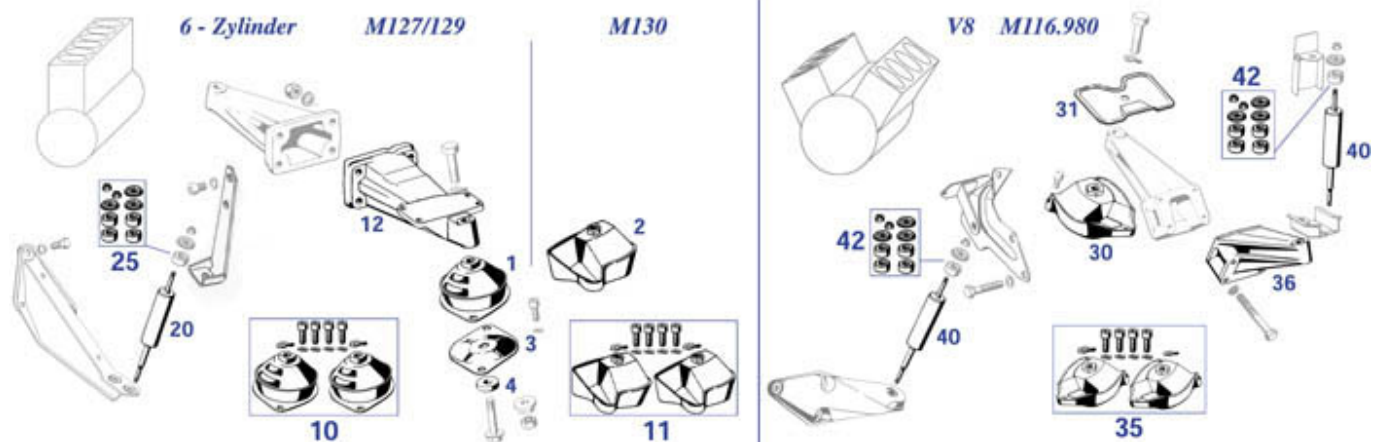
Pointer set 280S...	815003	€ 11,00	Wire bushing with treaded pin	515999 € 2,37
Ignition coil, late 190SL, others, NGK	115602	€ 43,85	Vacuum unit, dist. , 'A', Repro, no tech documents	515834 € 63,14
Distributor cap 230-280SL "A" made in Germany	215708	€ 55,69	Ignition coil, late 190SL, others, Beru	115702 € 49,98
Rotor e.g. M114.980	515812	€ 9,90	rubber cap ID 11mm eg spark plug connectors	515998 € 0,87
NLA: leads 220-6,250,280 push on	515021	N/A	REST! leads 280S from cap "SCREW ON", TSZ	815021 N/A
Ignition lead set 250-280/S push on	815020	N/A	Connector	715016 € 18,77
Rotor e.g. M114.980	515212	€ 21,97	Condenser f.'Alu' w.no1-lead	215037 € 6,10
Distributor cap e.g. M114.980	515208	€ 105,81	Point Set M180, M127 "Beru"	415813 € 8,02
1-2-3 distributor 6-cyl ->'62	415801	€ 355,00	Metal tube, raw, ign.leads 6-Cyl	415110 € 29,24
Ign lead set eg 220S Pontoon	415100	€ 107,10	spark plug connector Bakelit angled	415056 € 14,99
1 m Zündkabel	515020	N/A	Spark plug "bakelite", in line, 1kOhms	315055 N/A
Pointer set M180, M127 early	415013	N/A	Rotor, e.g. M130 E late, 5kOhms	815008 € 18,85

15.e Starters and Generators div

Lima-Spannschraube	415023	€ 15,17	Lima-Regler 30Amp, z.B. 220SE	415050 N/A
co-current flow regulator 14V 30A	415066	€ 309,91	Bushing, starter	515031 N/A
Bushing, starter	515032	N/A	1 m Zündkabel	515020 N/A
Regulator 14V/11Amps (130W) Bosch, elektr.	415065	€ 219,41	Starter drive gear 190SL, no name	115830 € 249,50
Regulator for 30A DC Generators, 220SE, Repro	415766	€ 261,80	Starter BOSCH, 1,1 kW, div. SLK + C-Class	R7015200 € 195,00
generator 240W repair set (220 div, + 190c)	115816	€ 44,15	Socket housing, alternator	754877 € 12,30

22 Engine mounts W111 Cpe. front

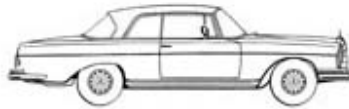
22 Engine mounts W111 Cpe. front



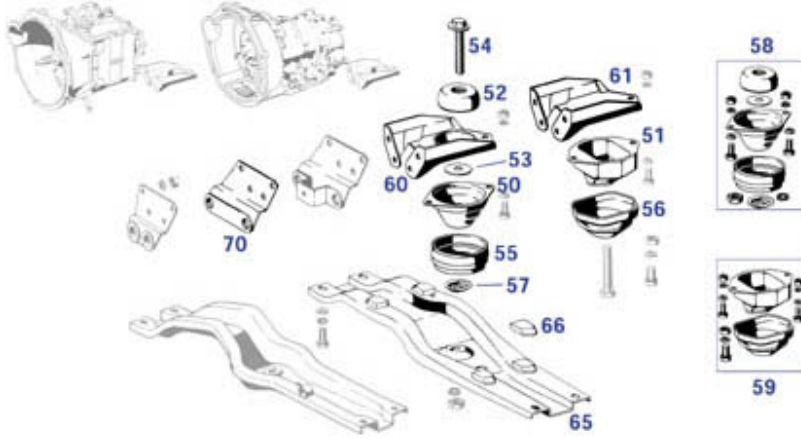
	Engine mount W111Cpe. 280SE/C,frt. Lt.+	322725	€ 26,18	1	Enginemountfrt.6-cyltypes	222010	€ 34,14
1	A1802231212 Engine mount frt. Rt. EXPOR	322032	N/A	1	A1802231112 Engine mount frt. Lt. EXPOR	322031	N/A
1	A1802230912 "Engine mount frt.LH, 111Cp	322009	N/A	2	Engine mount W111Cpe. 280SE/C,frt. Lt.+	322025	€ 25,63
3	A1212230331 Plate ,eng mount,front,230S	222035	N/A	4	Rubber shim 5mm eng support buffer	122039	€ 2,08
10	A1112200117 Repr. kit, eng. mt. fr. W/C	322013	N/A	12	A1272230204 Engine support Lt.,111Cpe.6	322030	N/A
25	see 724719, set as per ref A1072400117	724019	N/A	30	A1162230112 Engine mount frt.,111Cpe: 3	322016	N/A
30	rbr engine mount	322816	€ 43,90	31	A1162230034 Heat prot.shield, engine mo	322055	N/A
35	A1112200017 Repr. kit, eng. mt. V8 (3,5	822012	N/A	36	A1162231204 Engine support Lt.,111Cpe.8	322050	N/A

22/24 Engine Mounts W111 Cpe. rear

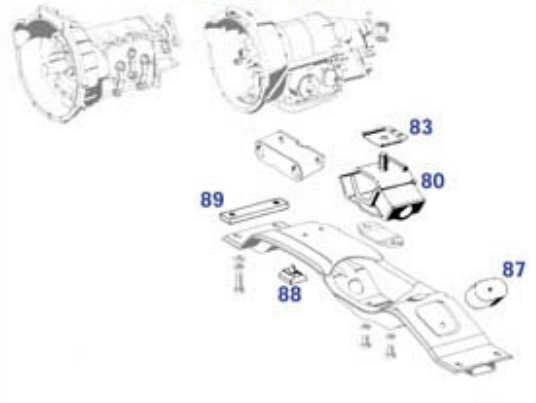
22/24 Engine Mounts W111 Cpe. rear



02.1961 - 05.1969 "kurze Getriebe" / Gearbox "short housing"



05.1969 - 07.1971



	Rear support rail,111Cab. man.	322028	N/A		-n.av.- gearboxsupport 280SE/C, late	822028	N/A
	Rear support rail,111Cab.autm.	322029	N/A	51	A1292240012 Rear engine mount (seperate	822021	N/A
52	Rubberbuffer/bellow	322035	€ 5,15	53	Rubbershim	322039	€ 1,99
54	Bolt,rr.eng.mount 220SE/230SL early	222021	€ 14,70	55	Bellows, rear eng.mount	122830	€ 10,13
56	A1212240382 Rubber bellow, rr. eng.moun	822022	N/A	57	Plate, bellows @ engine mount	122035	€ 10,57
58	A1112400118 Rep.kit engine mount W111Cp	322019	N/A	59	A1082400418 Rep-kit,enginemount rr.108/	822020	N/A
60	A1112400402 Support,engine,rear,230SLFN	222016	N/A	61	A1082420401 Gearbox support W111Cpe,6-c	322017	N/A
65	A1102400402 Rear support rail,111Cpe.6-	322027	N/A	66	A1102420213 Rubber at engine mount	322024	N/A
70	A1104900444 Exh.bracket at gearbox, 6-c	349047	N/A	80	Engine mount rr.'S/SE' 5.69 -->	322022	€ 33,38
83	A1082420031 Metal shim at engine mount	322018	N/A	87	A1089870740 Rubber buffer, support/floo	822024	N/A
88	Rubber buffer, support/exhaust	349045	N/A	88	A1089870940 Rubber buffer,support/exhau	849045	N/A
88	A1089870840 Rubber buffer,support/exhau	849046	N/A	89	A1082420140 Threaded plate f. support	322061	N/A

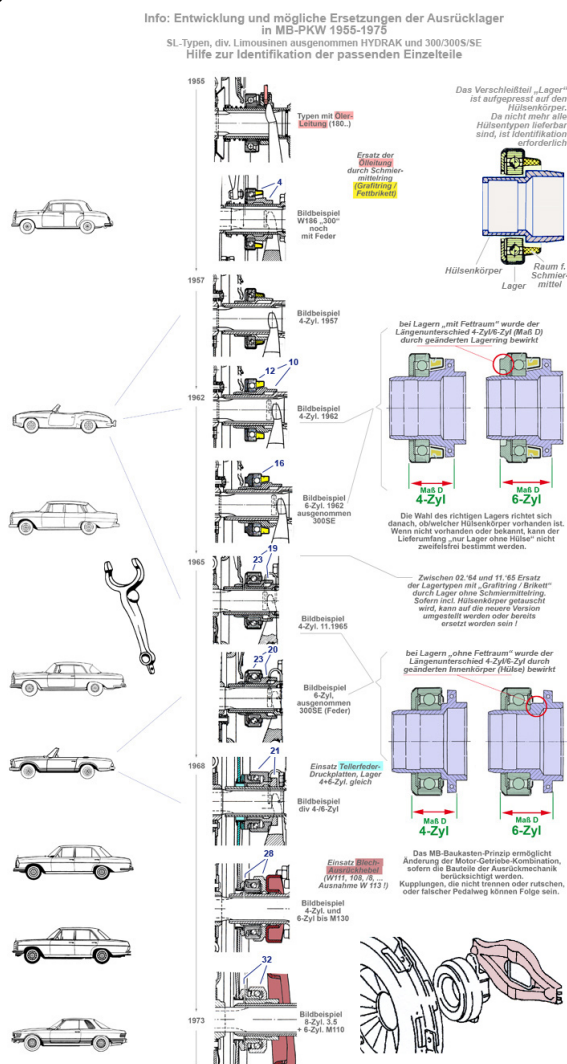
25 Clutch, from Ponton up to 114/115

25.h, 29 hydraulic components, clutch release

Nehmerzyl. z.B. 110.010	329004	€ 135,55	excentrical nut for clutch pedal	529999	€ 10,95
Geberzylinder 111/108 69->, 114 div	829009	€ 118,65	Nehmerzylinder W111/108 3.5	829004	€ 166,60
Rep.-Satz Nehmerzylinder	329033	€ 14,64	Rep.-Satz Geberzylinder zB 350SL/C FN	729034	€ 22,68

25.i Info Ausrücklager Ponton bis 114/115

25.i Info Ausrücklager Ponton bis 114/115



	Thrust plate 228mm, leaf spring style	525002	€ 95,20	N/A ! Reverse light switch, console shifter, ca. 6	726808	N/A
	Spring clamp	125013	€ 19,85	T/O bearg, replaces oil-line-version	425804	€ 115,99
10	A1102500015 Throw-out bearing w.new ver	125001	N/A	12 T/O bearing 4-Cyl, fits sleeve '58-'65	125002	€ 37,98
12	T/O bearg 4-Cyl, fits sleeve '58-'65	125802	€ 84,49	16 T/O bearg. w/o sleeve 6-cyl 62-65	425007	€ 83,30
19	T/O Cluch bearg. with body, 4-Cyl/FN	325003	€ 142,99	20 T/O bearing+bushing 230/250SL +sev 6-Cyl.	225803	€ 219,19
20	A1112500115 Releasebeargwithbody230-250	225003	N/A	21 F+S 3151137101 Clutch bearing 280SL-113 H30*	225004	€ 337,17
21	Clutch bearing 280SL-113 H30* Repo ref 3 151 137	225704	€ 297,50	23 Release bearing fits sleeve '65-'68	225807	€ 88,95
28	T/O bearing cplt W114/115 FN, see photo	525003	€ 24,28	32 T/O bearing 280SL/C, 350SL/C, see photo	725004	€ 60,42

25.z Test-Category organisationally, no content

Written information above illustration



← native res. 700px →

Written information below illustration

This field is called
"Sprachspezifischer Text", in

[654321-abcd](#)
[efghijklmnopq](#)
[rstuvw](#)

N/A

1_Feldüberschrift readable WS
Bezeichnung, ende->|

[B765432](#)

€
9.000,00

26, 27 frequently asked transmission parts Aut+Man

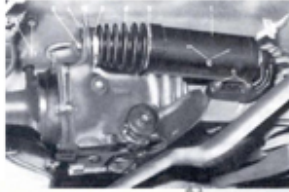
26, 27 transmission parts Aut+Man



	clutch-set 1968 - 280, 4gear shift	225702	€ 499,80		ball bearing countershafts, 25x62x17	226076	€ 52,18
	Rep.-Satz Nehmerzylinder	329033	€ 14,64		Seal, Autm-oil pan, Autom-box types 722.4	527204	€ 4,57
	226876 2X 226859 2X 226056 1X 226058 1X 226061	226860	€ 809,20		oil seal output shaft, 42 X 62 X 8	R2927040	€ 5,81
	Gasket set, manual-4-speed gears FN	726300	€ 32,71		gasket kit, 4-speed, 716.2, e.g. 201-124	526300	€ 44,91
	Oil pan Autom. 722.4 xx	W2327207	€ 125,96		Seal ring speedo shaft, e.g. 4sp man 716.001	726039	N/A
	Plug screw with collar, M24	226046	€ 1,64		Seal ring gear box drain plug	226047	€ 0,44
	Autom.oil filter+gasket,8-cyl->3.80	727802	€ 15,92		Plug screw M22 with collar	114035	€ 24,61
	Ball bearing, main shaft	226959	€ 82,38		Seal ring rear gearbox shaft, e.g. 4sp G76/18..	526230	€ 5,07
	Seal ring input shaft eg G717 5-sp Carrier, Synchromesh	926042 226153	€ 14,35 N/A		Lock for 3 way flange	126871	€ 4,75
	mech.gearboxes up to 05.'69				Nut, to shaft	526071	€ 3,15
	Seal ring inp-shaft eg G716,717..	526030	€ 8,71		Seal ring man-gear driveshaft, OD=47mm	526042	€ 3,68
5	Synchronring	226850	€ 22,49	5	synchronizer ring 1152623134	526050	€ 8,33
5	Synchronizer ring e.g. G717, 1152622934	526051	€ 27,37	5	Synchronizer ring 115 262 1634, OD ca 71,5	526052	€ 27,37
5	Synchronizer ring 1152623034	526053	€ 27,37	7	N/A ! Reverse light switch, console shifter, ca. 6	726808	N/A
7	A0005453506 Rev-lght switch steer.shift	526008	N/A	7	A0065457828	754371	N/A
7	grommet, diagonal	998752	€ 4,74	10	Cuff steering wheel circuit LHD	826006	€ 8,97
10	A1162680397	826008	N/A	10	A1162680497	826009	N/A
12	link, pan, shift mechanism	326034	€ 5,62	12	End piece shift linkage	726038	€ 6,46
12	excentrical nut for clutch pedal	529999	€ 10,95	12	clip, e.g. man.-shift links	526045	€ 0,40
15	Change lever bearing, autom.	726110	€ 1,15	15	Buchse, Schaltgestänge	726111	€ 1,08
15	A1152670750	726113	N/A	20	Plastic inlay, shift gate C111, "p" front	326101	€ 22,49
25	Man gear lever 4-speed, Vinyl, black	726000	N/A	25	Knob ivory, 4-speed, push-on, Repro	226002	€ 45,80
25	Gear lever knob,black,4 speed, Repro	226000	€ 46,34	30	N/A ! - A1232402518 -Engine mount rear, sedan , la	722020	N/A
40	Lever bellow, rubber, design 123, fits mid.gen 107	726805	€ 89,25	40	Lever bellow, design 115, fits early gen 107	726004	N/A
40	A1152670380 Gasket, gearshift lever bea	726150	N/A	40	Rubber surround, lever box ->'85	727005	€ 6,05

32/35.i Info Hyd. pneum spring assy W110, W111, W108

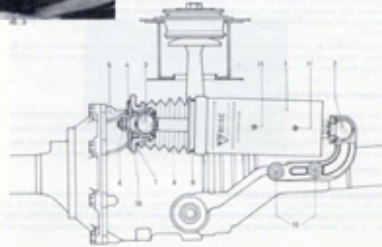
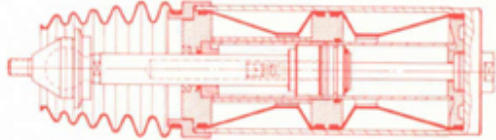
32/35.i Info Hyd. pneum spring assy W110, W111, W108



Seit ca. 1967 wird als Abhilfe gegen ein "hängendes Fahrzeugheck" bei beladenen Fahrzeugen (Typen mit Pendelachse) der Hydropneumatische Ausgleichsdämpfer "Boge-Hydromat" an Stelle der Ausgleichsfeder über dem Differential eingesetzt.



Einsendung Ihres Altteils, Annahme und Identifikation



Technisch gesehen ist es der Vorläufer der hydraulischen Niveauregulierung in einem Dämpfergehäuse ohne eine externe Öldruckpumpe.

Im liegend eingebauten, kompakten Gehäuse führt das Eintauchen bei Last zu einer Ventilreaktion und bewirkt bei nachfolgenden Federvorgängen ein Umpumpen von Öl gegen einen membrangetrennten Gasdruckraum.

Ein neuer oder fachgerecht überholter Dämpfer hebt das Fahrzeugheck nach kurzer Fahrstrecke (einigen Feder-Vorgängen) auf das normale Niveau.



Überholung Ihres Altteils nach Prüfung, Befund+Angebot. Artikelnummer **832807**



Vor der Fahrt



Mit Wegfall der letzten Pendelachs- fahrzeuge (Ende 1972) wurde der "Hydromat" obsolet; Fahrzeuge mit Schräglenkern erhielten bei Bedarf Niveauregulierende Dämpfer und einen Motorabtrieb für eine externe Hydraulikpumpe.



Neuteil **832007**

Liefersituation bitte erfragen



nach ca. 300 m



Heute können Sie den hydraulischen Ausgleichsdämpfer als Neuteil bestellen oder Ihr Gebrauchtteil zwecks "Befund und Überholung nach Angebot" zu uns einsenden. Wir bitten um Verständnis, im Vorwege nur einen PreisBEREICH angeben zu können. Die Arbeiten erfolgen in einem ZF-Sachs Fachbetrieb, der über die erforderlichen Boge-Spezialeinrichtungen verfügt. Kosten von Prüfung und Befund werden beim Überholungs-Auftrag verrechnet. Vorsicht: der Ausbau des Teils kann (wie jede Federn-Demontage) gefährlich sein, bitte beachten Sie die Montagehinweise in der Werkstattliteratur. Von einer Dämpferzerlegung durch fachunkundiges Personal wird dringend abgeraten.



832007 A1113200399 Hydropneum. compn. damper W

[832007](#)

N/A

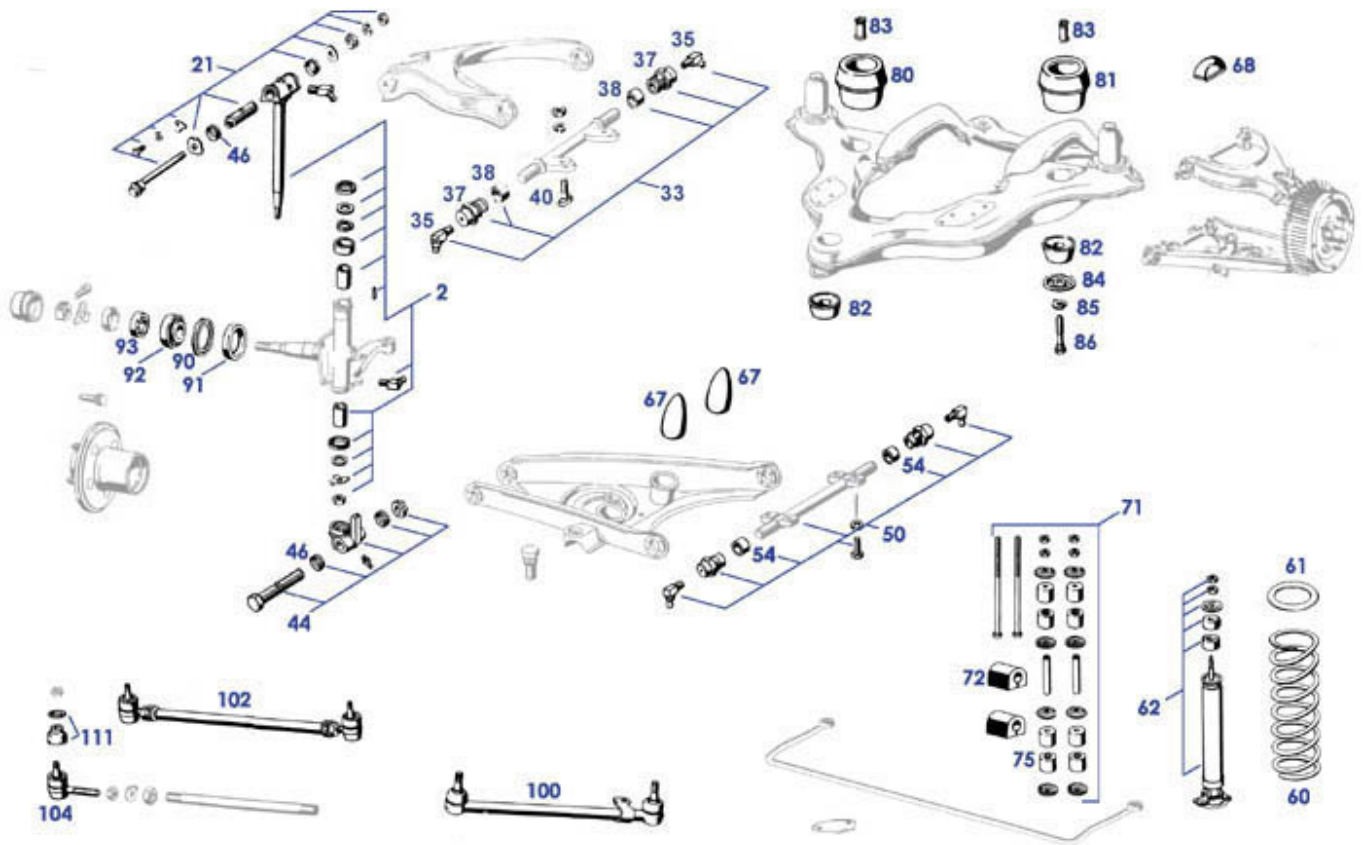
832807 no exchange service with non-EU-Countries

[832807](#)

€ 1.428,00

33 Front suspension

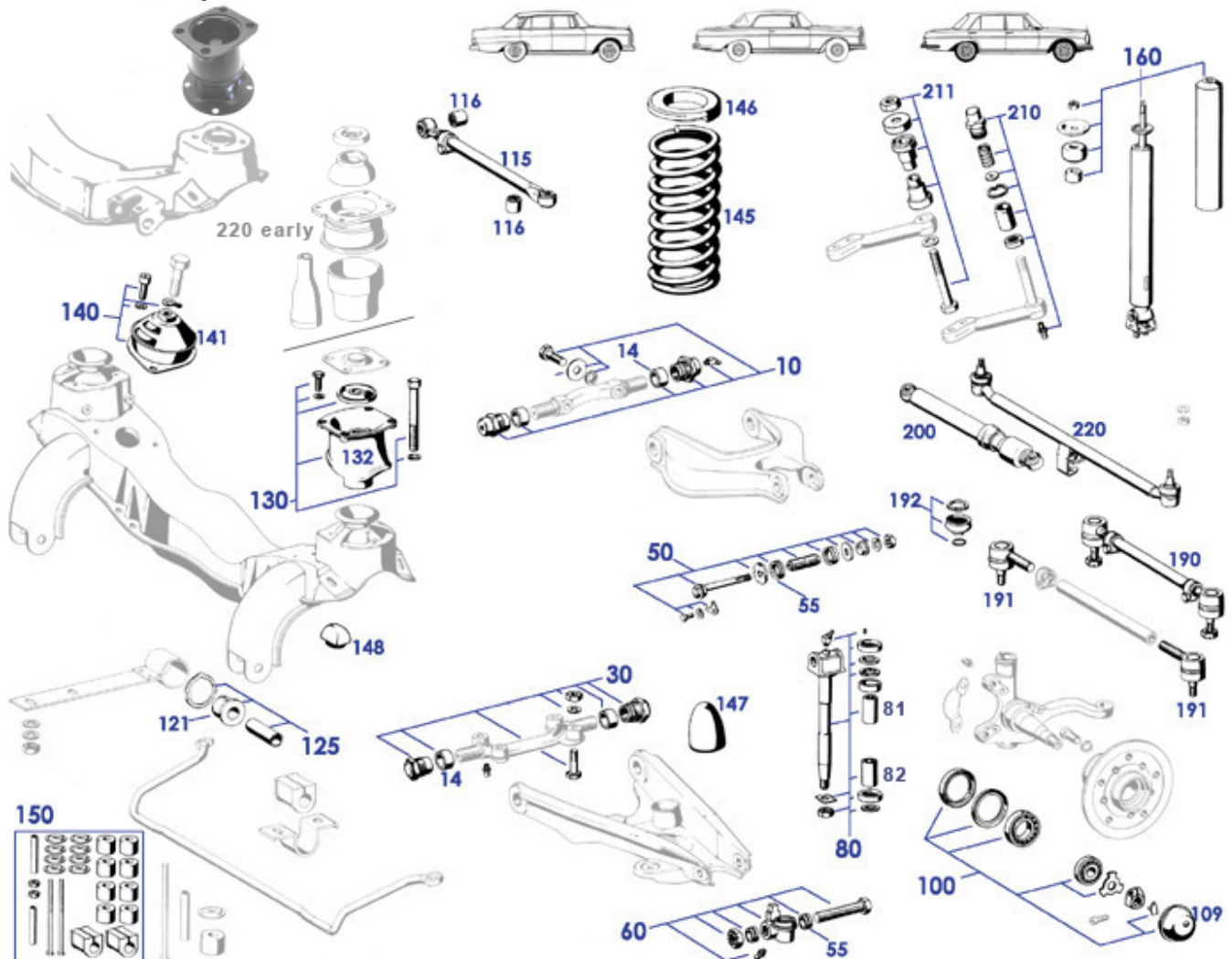
33.a Front suspension 1955-1961



	Bush, king pin, lower=L45mm	233053	€ 14,28		Clamp nut multiple cars from 1956-1985 A120334	233077	€ 32,53
	pin 2,5 m6 X 6	233750	€ 0,31		incl. cap and copper leaf, no clamping nut	233880	€ 39,88
	Inner Upper control arm kit	133020	N/A		A1805860046	458000	N/A
	Cap for grease nipple, red	333048	€ 0,65		Kronenmutter unbeschichtet	433006	N/A
	A1803330030	433042	N/A		Gummipuffer, V-achsträger hi.	433055	€ 33,46
	- NL - Vorderfeder Ponton	432001	N/A		Washer at clamping nut, with inner pintle	133972	€ 26,78
	15,1mm/4-Zyl.				Split pin 3x36	133059	€ 0,18
	Washer at clamping nut, no inner pintle	233972	€ 27,97		Castle nut M10X1, thin shape, early joint	133706	€ 2,45
	Cotter pin 2,0 x 25, e.g. tie rod nuts	299460	€ 0,12		Rest: Tie rod pipe, 190SL late	133005	N/A
	Locking shim, old style tie rods	499015	N/A		Split pin 2,5 x 25, fits crown nuts	133007	€ 0,24
	Castle nut M10X1, long shape, early joint	133006	€ 2,38		seering linkag		
	Repr.set,k'pin/bushes,p'too Ponton	433850	€ 119,00		Bush, king pin, upper, FEBI	233052	N/A
2	Repr.set,k'pin/bushes,p'too Ponton	433050	€ 374,85	21	Control arm rep. kit, upper outer, FEBI	133010	€ 47,66
33	Small Rep kit upr.inner arm LT or RT	133021	€ 61,33	35	Grease nipple, M8, 90°	133047	€ 0,57
37	Threaded bush, 30.9mm, with groove	133039	€ 29,99	37	Threaded bush, 29.9mm (no groove)	133038	€ 29,99
40	A1203330071 Mtg.bolt upper inner	133044	N/A	44	Control arm rep. kit, lower outer, FEBI	133030	€ 61,17
44	Repair kit, control arm outer, lower+upper 1 side	133025	€ 80,50	46	Seal Ring, upper & lower	133015	€ 8,45
54	Sealing rings, Upper or lower	133041	€ 2,05	60	Spring, front, 220S/SE,p'toon	432000	€ 182,15

61	Shim	132011	€ 5,15	62	Shock absorber front, Bilstein Gas	132111	€ 324,99
67	Rubber bumper, lower	133080	€ 21,04	68	Rubber buffer, upper ctrl-arm L or R	133070	€ 19,12
71	Torsion Bar Mtg. Kit. for 1 car	158000	€ 97,76	72	Buffer,rbr.,torsion bar,p'toon	432015	€ 6,19
72	Buffer,rbr., torsion bar, 22mm	432016	€ 16,51	72	Rubber mount torsion bar 20mm	132015	€ 18,50
75	Rubber buffer, torsion bar rod	132017	€ 8,29	81	Buffer, rubber,up. fr., fr. s'frame	433060	€ 29,58
82	Buffer, rbr.,lower, fr. s'frame	433065	€ 7,44	83	Sleeve	133054	€ 8,35
84	Reinforcing shim, replaced style	133051	€ 2,56	85	Locking shim, fits old style washer	133052	€ 4,96
86	Special bolt, frt axle->frame M12 X 1,5 X 57	133053	€ 36,33	90	Bearing retainer ring 06.61->, orig.	142600	€ 79,67
90	Puller plate, wheel bearing ->021979	142610	€ 36,30	91	Front axle seal >021979	142620	€ 15,45
91	Vgl.-No: A0039979346, Ab Baujahr Achsen Ponton sp	142625	€ 8,88	92	Inner front wheel bearing ->021979	142585	€ 11,16
92	Wheel bearing, inner, 06.61 -> 89	142580	€ 7,14	93	Wheel bearing, outer	142630	€ 4,58
93	Front axle outer bearing >021979	142640	€ 14,65	100	Drag link, 180,D,Db,Dc	446060	€ 152,99
100	Drag link 190SL ->5501501, LHD	146041	€ 186,43	100	Drag link 190,b,SL 5501502->, LHD	146040	€ 74,28
100	Drag link, 6-cyl. pontoon	446062	€ 110,32	102	A1803301203 Tie rod Pontoon 6-Cyl.short	433000	N/A
104	Right Tie Rod end -"Febi"	233092	€ 7,25	104	Left Tie Rod end -"Febi"	233091	€ 7,37

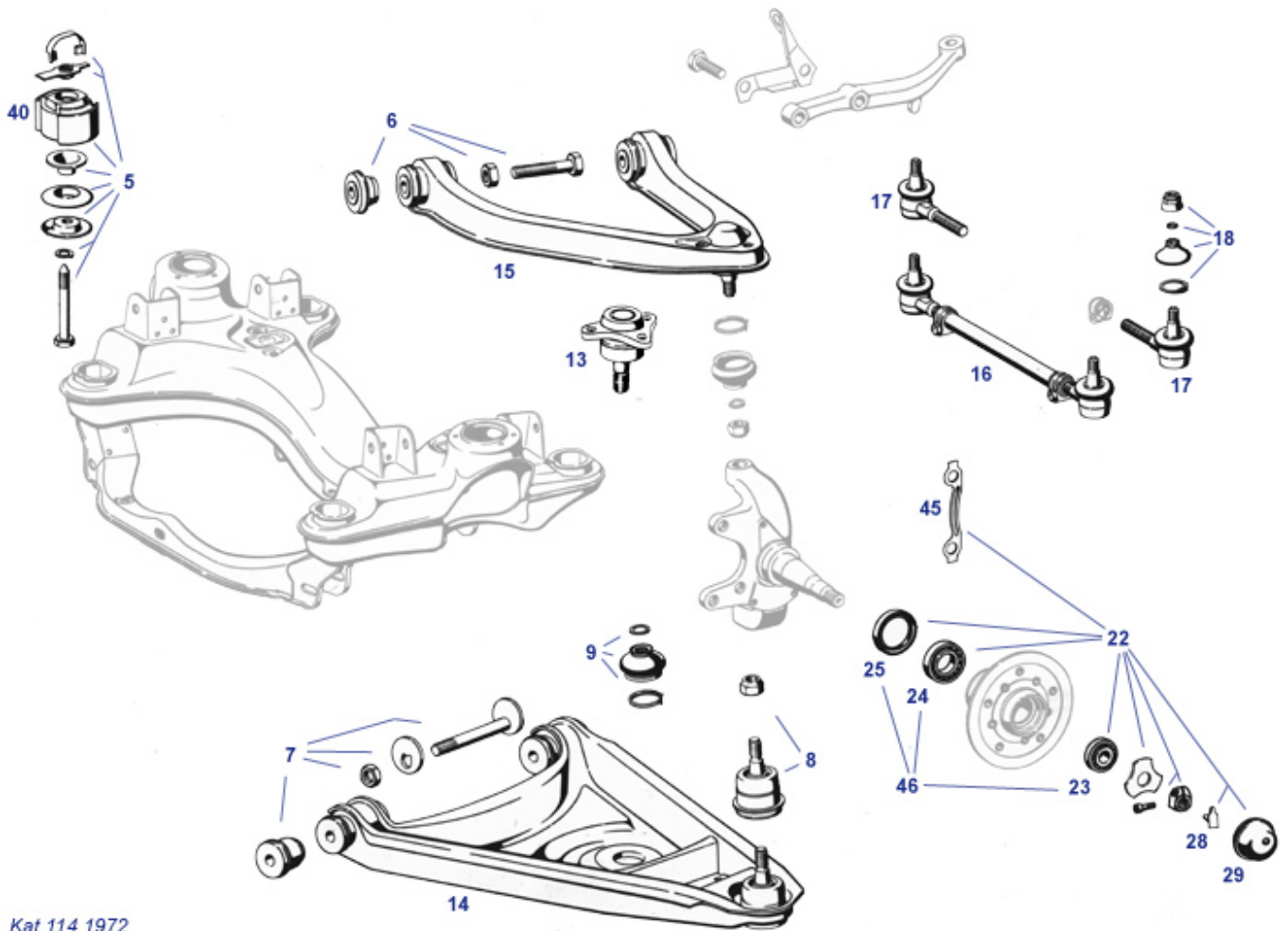
33.b Front suspension 1959-1972



Tie rod R113; 63-72,others up to'85	233090	N/A	Castle nut M10X1, thin shape, early	133706	€ 2,45
A1103221585	233996	N/A	joint		
Washer at clamping nut, no inner pintle	233972	€ 27,97	pin 2,5 m6 X 6	233750	€ 0,31
Kurz-Satz Lenker u.in./1Seite	233031	N/A	Split pin 3x36	133059	€ 0,18
			see 233020	233021	N/A

108-113	Cotter pin 2,0 x 25, e.g. tie rod nuts	299460	€ 0,12		Castle nut M10X1, long shape, early joint	133006	€ 2,38
	Guide tube with bushings OEM Quality A1113300330	233933	€ 255,01		Split pin 2,5 x 25, fits crown nuts seering linkag	133007	€ 0,24
	washer 13mm zinc plated	333043	€ 0,20		Engine ventilation	209805	€ 5,02
	A1270940491 Hose,90°,cyl. head cover,23	209023	N/A		Cap, front wheel bearings 110-115, ..B-quality	B233079	€ 5,30
	Rubber mount, torsion bar 22mm	332050	€ 10,39	10	Small Repair Kit upper inner ctrl-arm	233020	€ 78,79
14	Sealing rings, Upper or lower	133041	€ 2,05	50	Control arm rep. kit, upper outer, FEBI	133010	€ 47,66
50	Repair kit, control arm outer, lower+upper 1 side	133025	€ 80,50	55	Seal Ring, upper & lower	133015	€ 8,45
60	Control arm rep. kit, lower outer, FEBI	133030	€ 61,17	80	King pin repair kit	233050	€ 78,90
80	King pin repair kit X 2	233055	€ 155,00	81	Bush, king pin, upper, FEBI	233052	N/A
82	Bush, king pin, lower=L45mm	233053	€ 14,28	100	incl. cap and copper leaf, no clamping nut	233880	€ 39,88
106	Clamp nut multiple cars from 1956-1985 A120334	233077	€ 32,53	109	Cap, front wheel bearings 110-115, ..	233079	€ 7,96
115	A0003300485 Boot w/attaching ring	233093	N/A	121	Rubber bushing, orig quality	233096	€ 24,86
121	Rubber mount, leaf at axle, excentric	833096	€ 19,12	130	ftis vehicles with subrame "108" e.g. 111.021 from	858801	€ 143,79
132	Buffer, rubber,subframe mount	233060	€ 96,52	140	A1112200017 Repr. kit, eng. mt. V8 (3,5	822012	N/A
140	Repr. kit, eng. mt.frt.W111/Sedan-Expor	322014	N/A	140	A1122230012 Repr. kit, eng. mt. W109 6-	822013	N/A
140	A1102200017 Repr. kit, eng. mt. fr. W11	322012	N/A	140	Mounting set,eng.,comp. front	222011	€ 75,72
140	A1112200117 Repr. kit, eng. mt. fr. W/C	322013	N/A	140	Repr. kit, eng. mt. 280S-SEL late (square style)	822011	€ 54,51
140	Rep.-Satz Motorlager 280SE/C vorn	322010	N/A	140	Repr. kit, eng. mt. fr. W110	322011	N/A
141	Enginemountfrt.6-cyltypes	222010	€ 34,14	145	Spring, for W111 limo & W110	332012	€ 232,86
146	A1113220885 Mount,coil spring, 32.5mm	232014	N/A	146	Mount,coil spring, 20mm	232011	€ 57,37
146	Mount,coil spring, 25mm	232012	€ 57,37	146	Mount,coil spring, 30mm	232013	€ 57,37
147	Rubber buffer, lower ctrl arm	233066	€ 5,95	148	Rubber buffer, upper ctrl arm	233065	€ 9,76
150	Torsion bar rep-kit fits bar 24,5 (rbr 23)	833072	€ 161,38	150	Torsion bar rep-kit fits bar23,5 (rbr22)	833070	€ 133,99
150	z.B. 280SL, 250SL from FG ..05165	233070	€ 86,06	150	A1083200071 Repr. kit, t'bar, W108 late	833071	N/A
151	Rubber 20 fits torsion bar 21.5	832050	€ 31,25	151	Rubber 22.5 fits torsion bar 23.5	932050	€ 23,57
191	Left Tie Rod end -"Febi"	233091	€ 7,37	191	Tie rod end, Rt. thread, brand Meyle	233192	€ 8,60
191	Tie rod end, Lt. thread, brand MEYLE	233191	€ 8,60	191	Right Tie Rod end -"Febi"	233092	€ 7,25
220	set steering rod with special screw and washers	246660	€ 38,08	220	centre tie rod, brand Corteco	246760	N/A

33.c Front suspension W114, ...

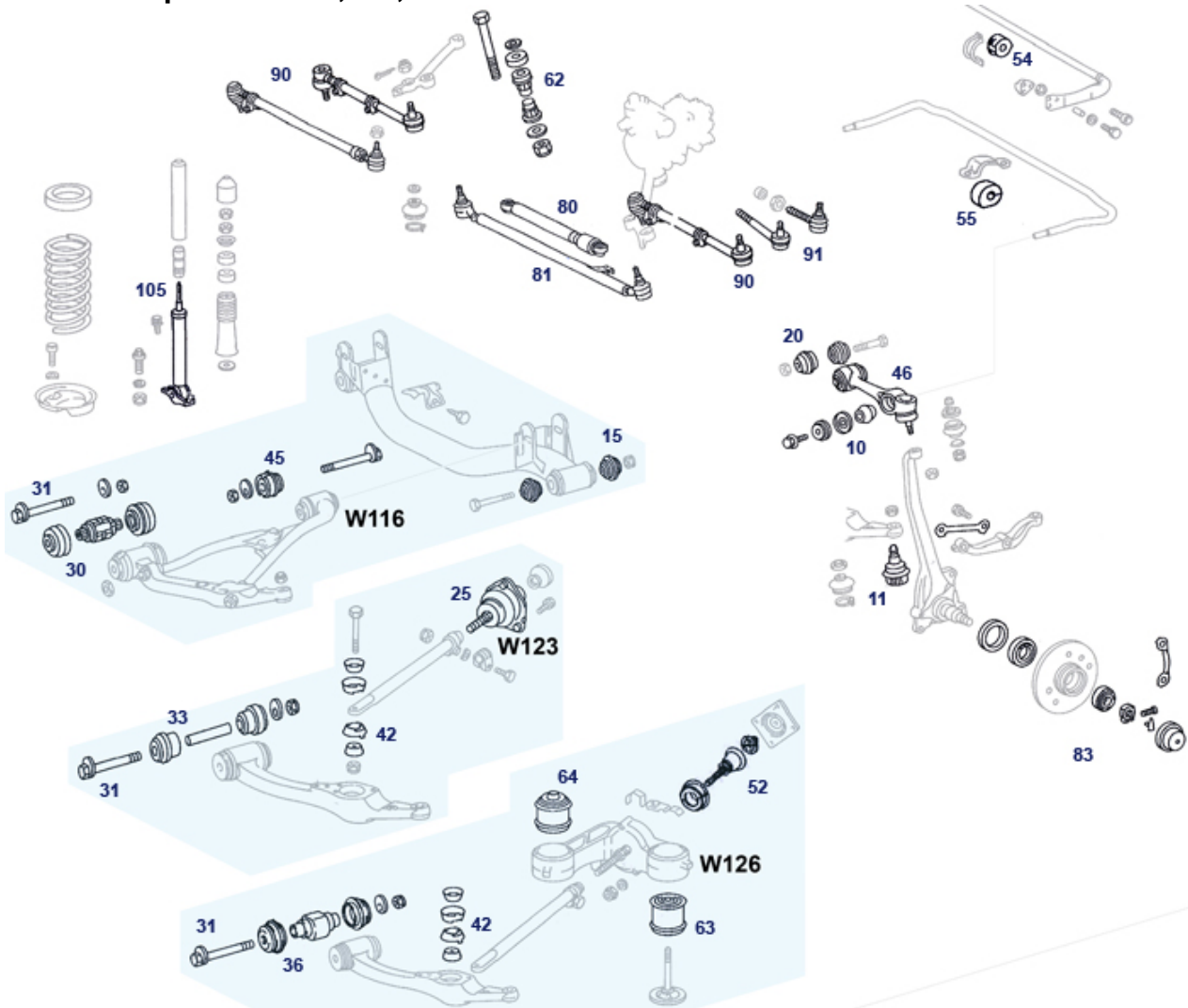


Kat 114 1972

	Cap, front wheel bearings 110-115, ..B-quality	B233079	€ 5,30		Bilstein shock absorber 114/5,frt.	532102	€ 184,45
	Split pin 2,5 x 25, fits crown nuts seering linkag	133007	€ 0,24		Castle nut M10X1, thin shape, early joint	133706	€ 2,45
	Castle nut M10X1, long shape, early joint	133006	€ 2,38		Self locking nut M12 X 1,5	733113	€ 1,93
	replaced from 241051, replaceable in 733113	733122	N/A		--> see 733122 -> see 733113	241051	N/A
	small rubber donut at roll bar bracket rods	732817	€ 2,74		Washer at clamping nut, no inner pintle	233972	€ 27,97
	incl. cap and copper leaf, no clamping nut	233880	€ 39,88	5	Frnt axle mount kit "Meyle"	758801	€ 48,61
5	Repr.kit, front sub-frame	758101	€ 58,91	6	N/A see SLS part no. 733020! Repr. kit, swing	733820	N/A
6	as per photo: content for one control arm	733020	€ 38,20	7	as per photo: content for one control arm	733030	€ 64,88
7	Rep.-Kit lower inner, FEBI	733830	€ 48,00	8	Knuckle jt.(lower) 114...,107 up to 85	733110	€ 13,73
9	Repr. kit, knuckle jt.slve. lower	733102	N/A	13	Upper Ball Joint R/C107 up. to 08.1985	733112	€ 15,71
14	A1073301207 Ctrl-arm,lower, Lt. to 8.85	733047	N/A	14	A1073301307 Swinging arm,lower, Rt.to 8	733049	N/A
15	Swinging arm,upper, Rt.to 8.85 FEB	733801	€ 123,28	15	Swinging arm,upper, left up to 08.1985, FEB	733100	€ 107,16
15	Swinging arm,upper, Rt.to 8.85 FEBI	733101	€ 107,16	15	Swinging arm,upper, Rt.to 8.85 FEB	733800	€ 123,28
17	Tie rod end, Rt. thread, brand Meyle	233192	€ 8,60	17	Tie rod end, Lt. thread, brand MEYLE	233191	€ 8,60
17	Right Tie Rod end -"Febi"	233092	€ 7,25	17	Spurstangenkopf, Rechtsgewinde	233992	€ 10,98
17	Left Tie Rod end -"Febi"	233091	€ 7,37	17	Tie rod end	233991	€ 16,92
18	A0003300485 Boot w/attaching ring	233093	N/A	22	del-t: set, pls inbetween order separate items	733080	N/A

23	Wheel bearing, outer	142630	€ 4,58	24	Wheel bearing, inner, 06.61 -> 89	142580	€ 7,14
25	*107 up to 08.'85 Series with no ABS/ALB	733082	€ 10,71	28	Contact	233078	€ 1,56
29	Cap, front wheel bearings 110-115,	233079	€ 7,96	29	Cap, wheel bearing hub '85->	733079	€ 1,06
33	..			40	Rubber, front sub-frame	733060	€ 18,97
33	Clamp nut multiple cars from 1956-1985 A120334	233077	€ 32,53				

33.d Front suspension 116,123,126



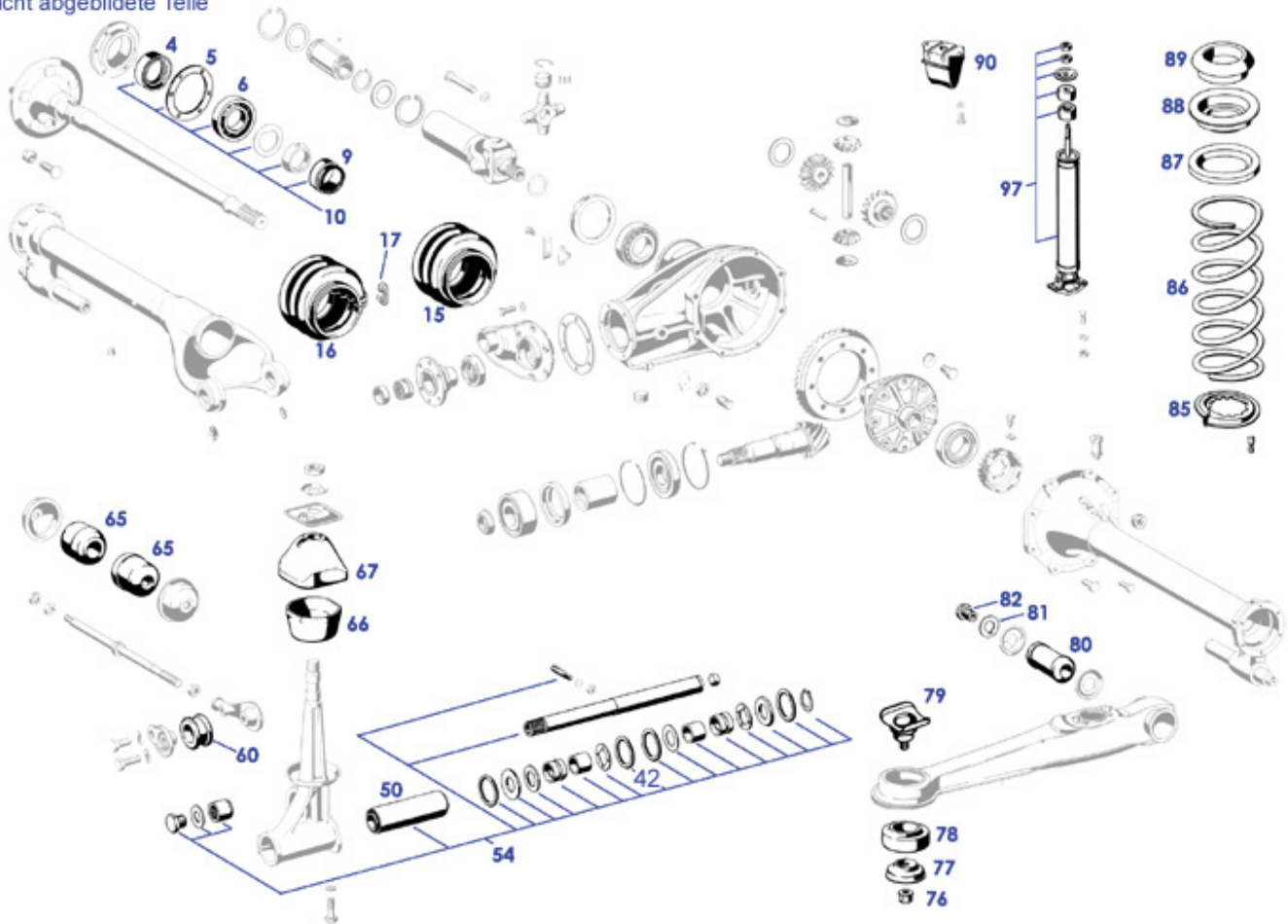
	Bilstein-Stoßdämpfer W123 "HD"	932101	€ 142,80		Bushing, upper, inner, 126, .. FEBI	633022	€ 14,65
	Clamp nut multiple cars from 1956-1985 A120334	233077	€ 32,53		Rubber bushing, subframe tube W116	633065	€ 13,63
	incl. cap and copper leaf, no clamping nut	233880	€ 39,88		Tie rod end, LH. threaded, FEBI	533091	€ 9,50
	Locking nut, bearing stud div.	933077	€ 5,85		Washer at clamping nut, no inner pintle	233972	€ 27,97
	Bilstein-Stoßdämpfer W123	932100	€ 172,55		Tie rod, LHD-left, FEBI	633089	€ 31,45
10	Bushing, ctrl-arm to bar, 116, 123, FEBI	633032	€ 1,25	10	Rep.-kit ctrl-arm to bar, 116, 123, FEBI	633132	€ 31,20
11	Ball joint, lower, 116, 123, 126, FEBI	633110	€ 13,44	20	Bushing, upper, inner, 116, 123, FEBI	633021	€ 6,39
25	Strut mount 123, , .., FEBI	633015	€ 51,17	30	Rep kit frt ctrl arm inner lower 116,123 früh, FEBI	633030	€ 26,80
31	Rep kit excenter pin	633031	€ 6,94	33	Rep kit frt ctrl arm inner lower 123 late, 126, FE	633033	€ 31,58
42	Rep kit frt ctrl arm @ strut 123, 126, FEBI	633042	€ 20,05	45	Rep.-Kit, lower ctrl-arm inner, per side, W116	633045	€ 60,99

46	Upper ctrl-arm LH, with joint, 126, FEBI	633048	€ 60,29	46	Upper ctrl-arm RH, with joint, 126, FEBI	633049	€ 60,29
46	Upper ctrl-arm LH, with joint, 116,123, FEBI	633047	€ 42,20	46	Upper ctrl-arm LH, with joint, 116,123, FEBI	633046	€ 42,20
52	Rep.-Kit strut mount per side, W126 up to FN	633052	€ 76,60	52	Rep.-Kit strut mount per side, W126 from FN	633053	€ 54,12
55	Torsion bar mount e.g. W126	632052	€ 7,20	62	Steering arm repair kit from '68 FEBI	246062	€ 19,50
63	Rubber mount, axle support W126, FEBI	633063	€ 23,87	64	Rubber mount, axle support W126, FEBI	633064	€ 21,46
80	Steering damper	246880	€ 24,49	80	Steering damper	246080	€ 45,09
81	Lenkstange W126, LHD	646081	€ 26,08	81	Lenkstange W116, 123 LHD	646080	€ 42,90
83	Set frt wheel bearg. one side, W116,123,126 ABS	633083	€ 17,40	83	Set frt wheel bearg. one side, W116,123,126 no ABS	633081	€ 17,40
90	Tie rod, passenger side, FEBI	633090	€ 31,45	90	Tie rod, LHD-left, FEBI	633085	€ 26,16
91	Spurstangenkopf, Rechtsgewinde	233992	€ 10,98	91	Left Tie Rod end -"Febi"	233091	€ 7,37
91	hex nut M10 X 1, prevailing torque type, tie rod e	233094	€ 1,51	91	Tie rod end	233991	€ 16,92
91	Tie rod end, Rt. thread, brand Meyle	233192	€ 8,60	91	Tie rod end, Lt. thread, brand MEYLE	233191	€ 8,60
91	Tie rod end, RH. threaded, FEBI	633094	€ 9,25	91	Tie rod end, RH. threaded, FEBI	533092	€ 9,50
91	Right Tie Rod end -"Febi"	233092	€ 7,25	105	Gasdruck-Stoßdämpfer 126 vorn	932105	€ 148,75

35.a Rear Suspension 1955-1962

35.a Rear Suspension 1955-1962

nicht abgebildete Teile

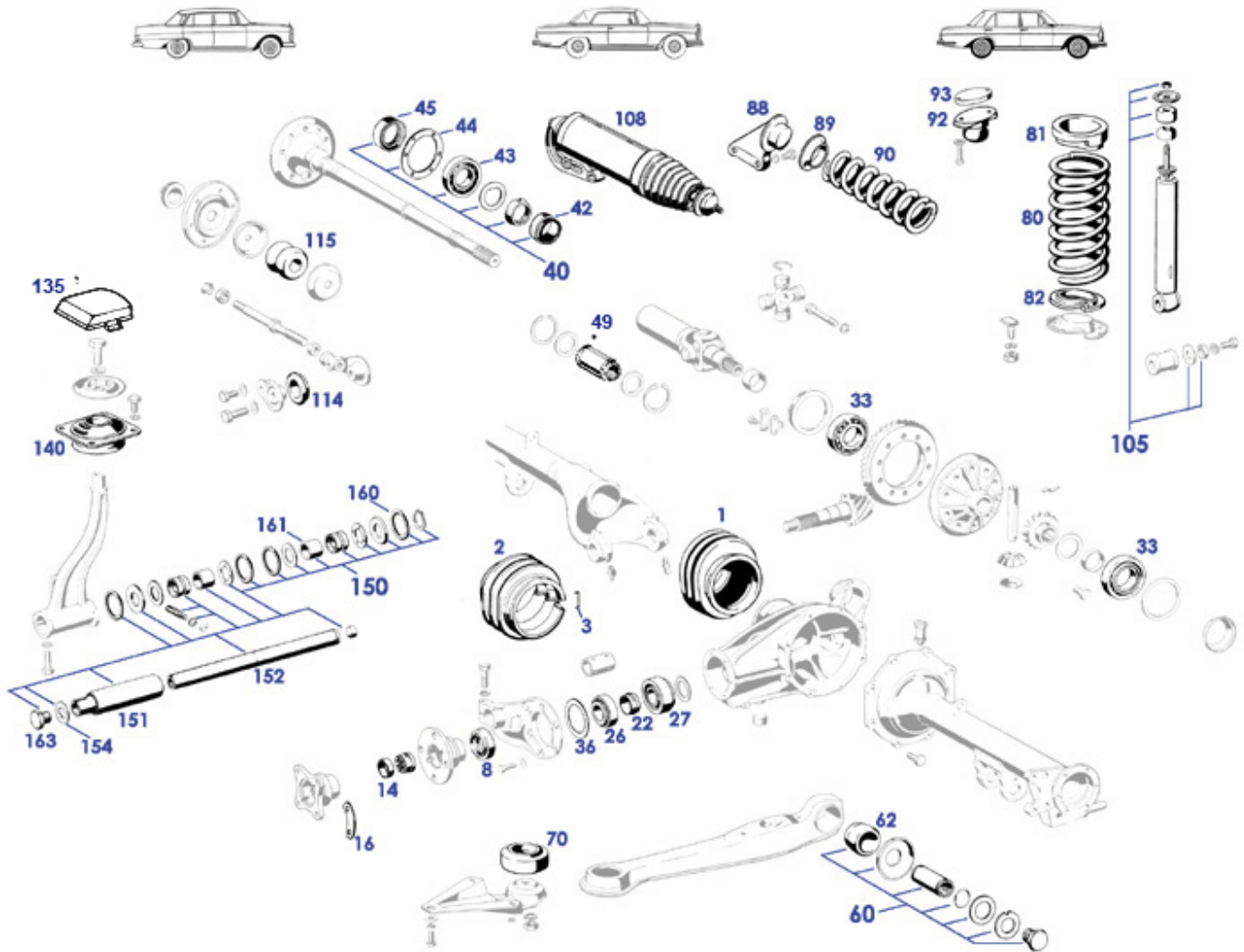


	Plug screw M24 conical, no collar pair of shackle, cross strut to axle, early, M12,	114025	€ 8,98		Shim, 2.2mm thick, repair size	235716	€ 23,42
	Locking, simplified, Repro, nose outer position	135725	€ 197,54		Locking, simplified, Repro, nose outer position	135608	€ 19,00
	valve cap, black	740035	€ 0,07		Locking, simplified, Repro, nose ctr position	135606	€ 19,00
	Wheel bearing, inner, 06.61 -> 89, FAG	142680	€ 15,92		Wheel bearing, outer, FAG A1103520067 Retainer cup	142730	€ 25,26
	Shim, 2.4mm thick, repair size	235718	€ 17,50		A1103520067 Retainer cup	135110	N/A
5	Clamp for repair bellows	135832	€ 1,19	4	Sleeve, length 26.0mm (std) see 143804	235807	€ 47,30
	Gasket, axle tube to brake base 190...	143002	€ 9,81	9	Rear axle seal (inner)	143004	N/A
10	Rep.kit rr. wheel bearg. Rt.	135076	€ 111,34	10	Rear axle ball-bearing	143001	€ 5,82
10	Rear axle roller bearing, RT, (drum shape rollers)	135858	€ 67,38	13	Lock ring, rear axle	235005	€ 22,88
13	Diff Pinion Grooved Nut A1113500166	235714	€ 36,00	15	Swing axle sleeve, closed	135821	€ 5,00
16	Sw. Axle sleeve, open, rep., design differs to ori	135131	€ 41,45	17	Lock / winding clip for 9mm strap	135130	€ 29,99
17	A00298881078 see 135832 clip	135132	N/A	17	Clamp, air hose	109835	€ 2,84
17	1m metal strip, 9mm clamp	109830	€ 3,09	42	Rubber ring, swing link	209004	€ 3,15
50	Sleeve, axle to center support	135012	€ 91,52	52	Lock washer	235304	€ 3,50
53	Shim at ctr bolt rr axle joint	235705	€ 10,00	52	Lock washer	235301	€ 2,59
54	Set N/A, separate or other set 135196	135195	N/A	54	Rep.-kit ctrl joint, no main shaft	135196	€ 387,44
65	Rubber buffer at rr axle cross strut	135033	€ 30,59	60	Rubber buffer,inner, rr axle cross stru	135062	€ 22,31
67	Rubber mount, rr axle ctr, from 750336	135001	€ 103,90	66	Rubber mount, rear axle ctr mount, lower	135002	€ 32,24
76	Crown nut M12 (e.g. early rr struts)	135121	€ 29,50	67	Rubber mount, top >7503266	135003	€ 80,13
				76	Crown nut, M14 thread	135120	€ 25,47

77	Retainer, late strut mount (M14)	135810	€ 17,55	78	Rubber mount, trailing arm donut	135100	€ 35,07
79	Support for rear axle strut	161210	€ 31,89	80	Rubber bushing, trailing arm to axle	135009	€ 16,29
81	Lock shim, strut to rr axle	135007	€ 5,18	82	Bolt, Arm to rear axle	135014	€ 34,83
85	Spring retainer, bottom	132012	€ 91,99	86	"Spring, rear, "pontoon", rt."	432020	€ 228,79
86	Rear spring, pontoonLH	432010	€ 181,23	87	Spacer ring above rr springs	132014	€ 19,77
88	Spring retainer, top	132013	€ 150,00	89	Rubber mounting f.spring retainer top	132830	€ 39,00
89	Rubber mounting f.spring retainer top	132030	€ 29,95	90	Rubber bumper, replcmnt, (higher)	132016	€ 99,95
97	Shock absorber rear, Bilstein Gas	132022	€ 314,99	170	Seal ring, input shaft	135818	€ 21,00
999	product replaced: Lock / winding clip for 9mm stra	109035	€ 2,09	999	1m metal strip, 9mm clamp	109030	€ 4,00

35.b Rear Suspension 1959-1972

35.b Rear Suspension 1959-1972

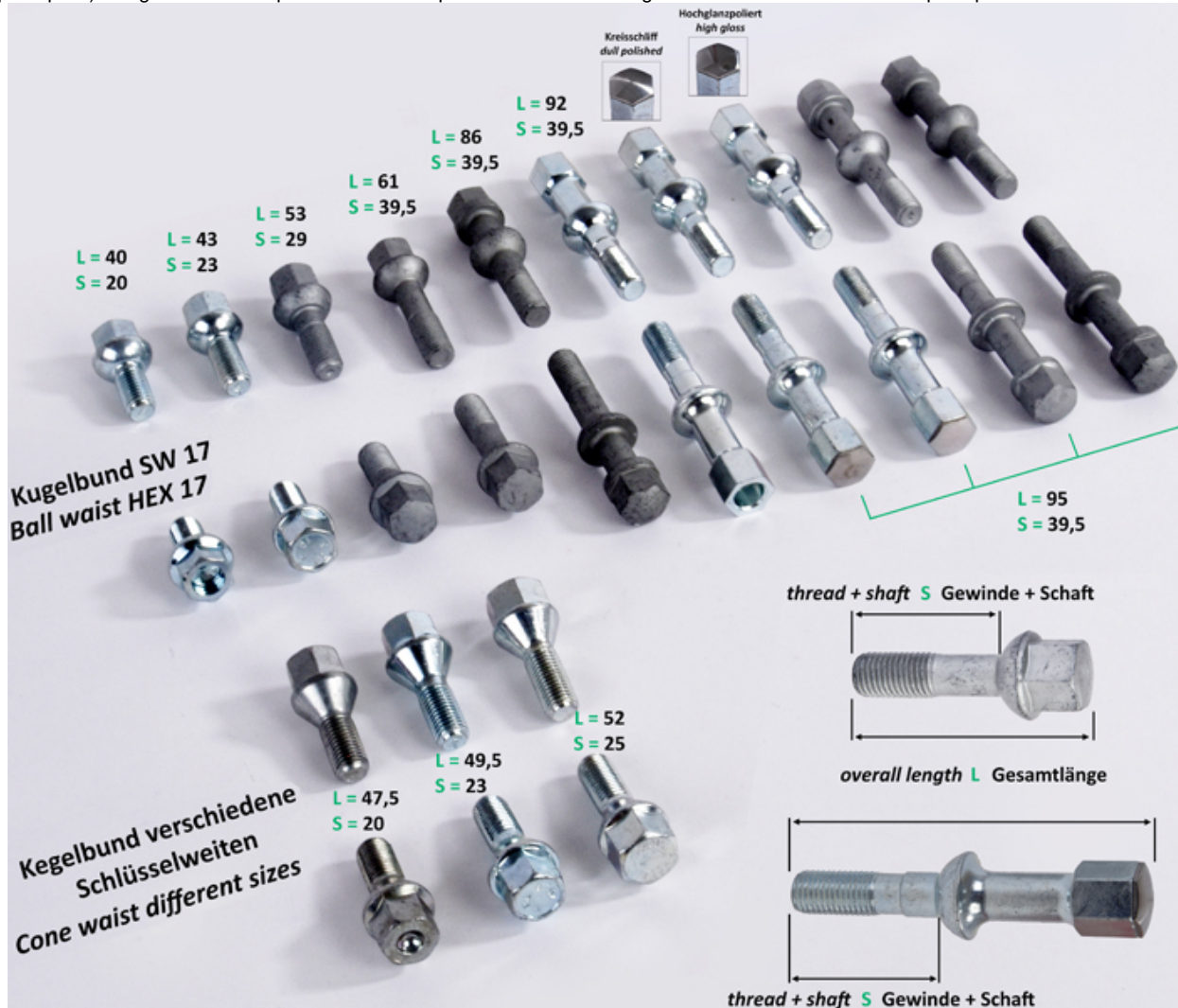


	Swing axle sleeve, closed, premium quality	135930	€ 49,43		Shim, 2.4mm thick, repair size	235718	€ 17,50
	Rear axle tube bushing	235050	€ 29,63		Shim, 2.2mm thick, repair size	235716	€ 23,42
	Wheel bearing, outer, FAG	142730	€ 25,26		valve cap, black	740035	€ 0,07
	Rubber mount ring, struts to body	235721	€ 11,65		Sw. Axle sleeve, open, repair, premium quality	135931	€ 80,92
	Locking, simplified, Repro, nose centre position	135606	€ 19,00		see 332007 + brackets	332005	N/A
	Wheel bearing, inner, 06.61 -> 89, FAG	142680	€ 15,92		Locking, simplified, Repro, nose outer position	135607	€ 6,68
	Locking, simplified, Repro, nose outer position	135608	€ 19,00		support balancer spring RH axle, ref.No. A11032023	232804	€ 79,49
	Torsion bar rep-kit fits bar 21,5 (rbr20)	333070	€ 127,50	1	Swing axle sleeve, closed	135130	€ 29,99
2	Sw. Axle sleeve, open, rep., design differs to ori	135131	€ 41,45	3	Lock / winding clip for 9mm strap	109835	€ 2,84
3	1m metal strip, 9mm clamp	109830	€ 3,09	3	1m metal strip, 9mm clamp	109030	€ 4,00
3	Clamp for repair bellows	135832	€ 1,19	3	Clamp, air hose	209004	€ 3,15
3	A00298881078 see 135832 clip	135132	N/A	3	product replaced: Lock / winding clip for 9mm str	109035	€ 2,09
8	Seal ring,input shaft 230-280SL..	235015	€ 12,98	10	A1085860135 Repr. kit, diff. flange	235070	N/A
14	Washer Lock for Differential Flange Nut	235013	€ 7,44	14	see 235013	235813	€ 5,00
14	Diff Pinion Grooved Nut A1113500166	235714	€ 36,00	16	tabbed lock plate ,driveshaft	241814	N/A
16	Gelenkwellen-Gummilager 180,D	441019	€ 25,31	16	Bush,rubber,p.s centre bearing	141018	€ 18,65
16	tabbed lock plate ,driveshaft	241014	€ 8,45	18	Rubber distancer, 30mm, rr upper	232023	N/A

18	Ring, rubber,upper, 24mm, rear	232022	€ 33,50	18	Ring, rubber,upper, 18mm, rear	232021	N/A
20	Rest. axle gears 1:3,28, modific. >'67	235106	N/A	20	nla wheel set 1:3,28,'68->modific	235805	N/A
21	spacer sleeve at diff., ref.-No A1103530242	235817	€ 14,88	22	A1083530042 see 235809, bushing	235009	N/A
22	Spacer sleeve,diff. 230SL	235017	N/A	22	spacer sleeve, pinion shafts from '67, D32xL16, FE	235809	€ 4,93
26	Bearing, pinion wheel shaft from '68, front	235011	€ 24,35	26	A0009801102 see 235816	235016	N/A
27	Bearing, pinionshaft, rear	235818	€ 35,33	33	Rear axle inner bearing	135070	€ 30,12
33	Differential Bearing	235039	€ 44,85	36	Distance washer 1.5mm at late pinion bearing	235150	€ 11,90
36	A1283531952 Distance washer 1.5mm, pinion shaft ea	235161	N/A	40	Tool, frt. strut joint mount	258352	N/A
40	Axle shaft brg./seal kit lft., FEBI	233085	€ 29,93	42	Inner seal ring, axle shaft W108,111,113,110	242114	€ 5,53
43	Rear axle roller bearing, RT, (drum shape rollers)	135858	€ 67,38	43	Rear axle ball-bearing	235005	€ 22,88
44	Screw, backplate to axle, 250-280SL	242117	€ 39,98	44	Paper gasket, axle types from W110	242113	€ 6,66
45	Seal ring, outer,front axle Gen. 110 (113,108)	242115	€ 5,66	49	including rolls and clips	235770	€ 999,99
50	A1803500513 Slip universal joint	135200	N/A	50	A1103500413 U/j assembly 230SL	235230	N/A
50	A1123500213 U/j assembly 250-280SL	235250	N/A	60	Full trailing arm repair-kit, axle	235022	€ 207,62
62	Rubber, rear trailarm to axle, 65...70°sh	235733	€ 3,61	62	askk for separate parts: Rep-Kit W109	835022	N/A
62	see 235030	235830	€ 4,70	62	Rubber, rear trailarm to axle, 75°sh	235833	€ 5,41
70	Rubber mount Suspension strut mounting ring	235021	€ 13,11	70	Rubber mount ring, struts to body	235821	€ 10,35
70	Tool, frt. strut joint mount	258351	€ 69,02	80	A1103243004 Rear spring W110 / 220SEb/C	332020	€ 72,14
80	A1083240204 Rear spring	832025	N/A	82	Rubber ring rr spring lower	232028	€ 8,46
82	rubber underlay rear spring	232828	€ 8,22	83	A1103250715 Spring retainer,lower,rr.	232001	N/A
88	Support, compensating spring, overhaule	232004	€ 74,49	89	torsion bar rep-kit W109 rear PER WHEEL !	833075	€ 81,12
89	Rubber-ring compensating spring	232005	€ 6,49	90	Compensating spring, 11.9mm	232006	€ 83,35
90	Rear centre compensating spring 110/111	332007	€ 97,50	92	Buffer, rear axle air 109/112	832080	€ 62,48
92	Rubber buffer, rr axle	232008	€ 41,39	93	Distancer, buffer to frame, Aluminum	232109	€ 72,00
93	Buffer distancer, repro	232209	€ 26,00	93	Anode disc (anti-corrosion)	232809	N/A
105	Bilstein shocker 108/110-1 rr.	832111	€ 226,99	105	Bilstein-shocker W109 rr.	832113	€ 230,93
105	Bilstein shock absorber 114/5,rr, 'HD'	532111	€ 190,00	108	no exchange service with non-EU- Countries	832807	€ 1.428,00
114	Rubber mount rear axle support strut A1113510448	235023	€ 36,53	115	Outer Rubber Mount for Differential Mount strut	235024	€ 8,09
140	Rubber mount rear axle, center upper joint	235020	€ 148,71	140	Mount rr axle	335020	€ 127,39
140	Rear subframe mount rubber, made in Germany	235920	€ 274,12	150	Small rep kit rr axle center joint	235282	€ 389,05
150	Rep-kit rear axle center joint 1959-1972	235280	€ 503,58	151	Rubber bushing, axle joint, German Repro	235012	€ 139,99
151	Rubber bushing, rr axle bolt, Repro	235712	€ 93,19	151	Sleeve, axle to center support	135012	€ 91,52
152	A1103510074 see 235708, Pin, swing link	235308	N/A	152	Pin, rear axle center joint from W110 on	235708	€ 114,89
154	Lock washer	235301	€ 2,59	160	Rubber ring, swing link	235304	€ 3,50
161	Sleeve, length 26.0mm (std)	235807	€ 47,30	163	Hex Bolt on Differential Mounting Strut	235324	€ 18,55
169	Shim at ctr bolt rr axle joint	235705	€ 10,00	210	Cross strut rr axle 110-108	335722	€ 34,51

40, Wheel lug bolts M12, assorted by overall length

Easy view display for older MB cars: all bolts with ball band and thread M12 x 1.5 and key width 17. This makes it easier to sort LOOKING AT TOTAL LENGTH (length over everything). Various axle/wheel combinations led to the bolts shown here between 1959 and 1989. As a rule of thumb: when screwing in, the bolt should reach its seat about 6 to 7 whole rotations into the thread. with less load-bearing thread, the load-bearing capacity is not achieved, with longer screwing there can be contact with other parts (endangered: rear handbrake, front brake disc e.g. with type 230SL). In the mid-1980s, a system change over MB front axles took place: former wheel hub flange (threaded seat) attached to the rim (brake disc screwed separately on the inside), later brake disc on wheel hub, between rim and threaded seat. (For the hub diameter, see also the information board on brake discs). The design of rim plates is not only material dependent, but different manufacturers (example baroque replica) designed their own plates with consequences for the bolt length and deviations from the MB principle ball band /SW17

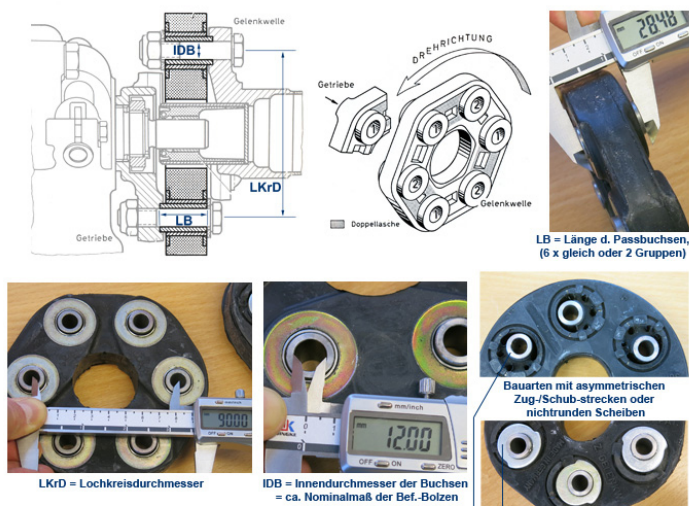


wheel bolt, total 86mm, zinc plated, without chrome	740807	€ 10,53
Wheel bolt+cap, alloy whl.to 85	740005	€ 1,90
Ball head seat, hex 17, length ca. 20mm	240005	€ 1,59
wheel bolt-set, 20pcs. M12X1,5 X25 cone hub	740801	€ 30,39
wheel bolt for MB rim R107 from Sept. 1985	740514	€ 4,14
wheel bolt-set, 20pcs. M12 x 1,5 x 20 cone hub	740802	€ 19,33

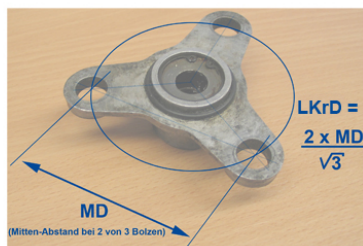
wheel bolt M12X1,5	740007	€ 2,24
Set 20 Bolt, fits Retrofit-wheels	740805	€ 51,29
Set 20 wheel bolts Maxilite, cone, L24	740888	€ 49,98
wheel stud	740414	€ 4,14
Wheel bolt long (95mm f.Gulli 107/126), simplified	740914	€ 13,36
Wheel bolt, 1 piece, length 92mm, 107 from '85, 12	740604	N/A

41.d Flexible prop shaft discs by dimension

41.d Flexible prop shaft discs by dimension



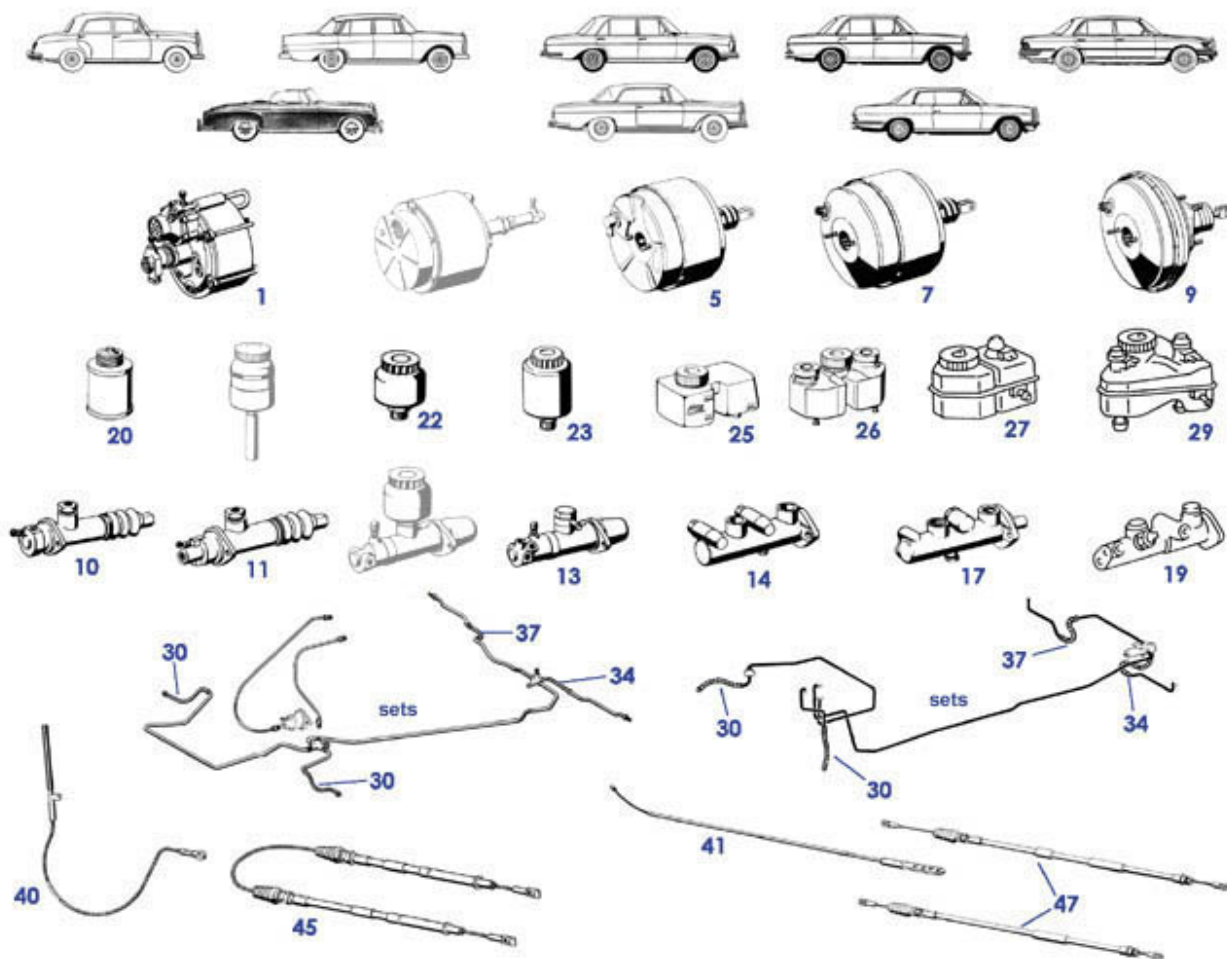
Inhalt in SLS-Art-nr.	Scheibe einzeln SLS-Art-nr.	LKrD (mm)	LB (mm)	ldB (mm)
141000	141001	80	22	12
241800	241001	90	23,3	14
741000	741111	90	26	10
741002	741112	90	29	10
741001/010	741114	90	34/37	10
741003	741124	90	28,5	10
	541114	90	26	10
741120	741121	110	26	12



Set prop shaft disc, M117 models + 380from VIN	741710	€ 60,69	Joint disc, 90mm bolt circle	241801	€ 55,93
plastic grommet, prop shaft Repr.	541012	€ 3,45	Nut, rear prop shaft fitting	241048	€ 0,92
ref. A 202 411 valve cap, black	740035	€ 0,07	141001 Joint disc, 80mm bolt circle, eg 190earl	141001	€ 67,95
241001 Joint disc, 90mm bolt circle	241001	€ 71,25	541114 Flex disc, prop shaft, no bolts	541114	€ 46,41
741000 Repr.kit,cardan disc,rear 350 SL/C, 280/380 Chassi	741000	€ 57,19	741001 Repr.kit,cardan disc,rear 280SL/C cn	741001	€ 70,07
741002 Repr.kit,prop-disc 2.8 autm. late	741002	€ 80,92	741003 Repr.kit,cardan disc	741003	€ 54,44
741010 Repr.kit,cardan disc,fr. 300SL	741010	€ 78,09	741111 Flex disc, prop shaft, no bolts	741111	€ 52,36
741112 Flex disc, prop shaft, no bolts	741112	€ 82,11	741114 Flex disc, prop shaft, no bolts	741114	€ 51,17
741120 Set prop shaft disc, M117 models + 380from VIN	741120	€ 109,09	741121 Flex disc, prop shaft large M117 models + 380from	741121	€ 74,46

42/43 Brake: Mastercyl., Lines

42/43 Brake: Mastercyl., Lines



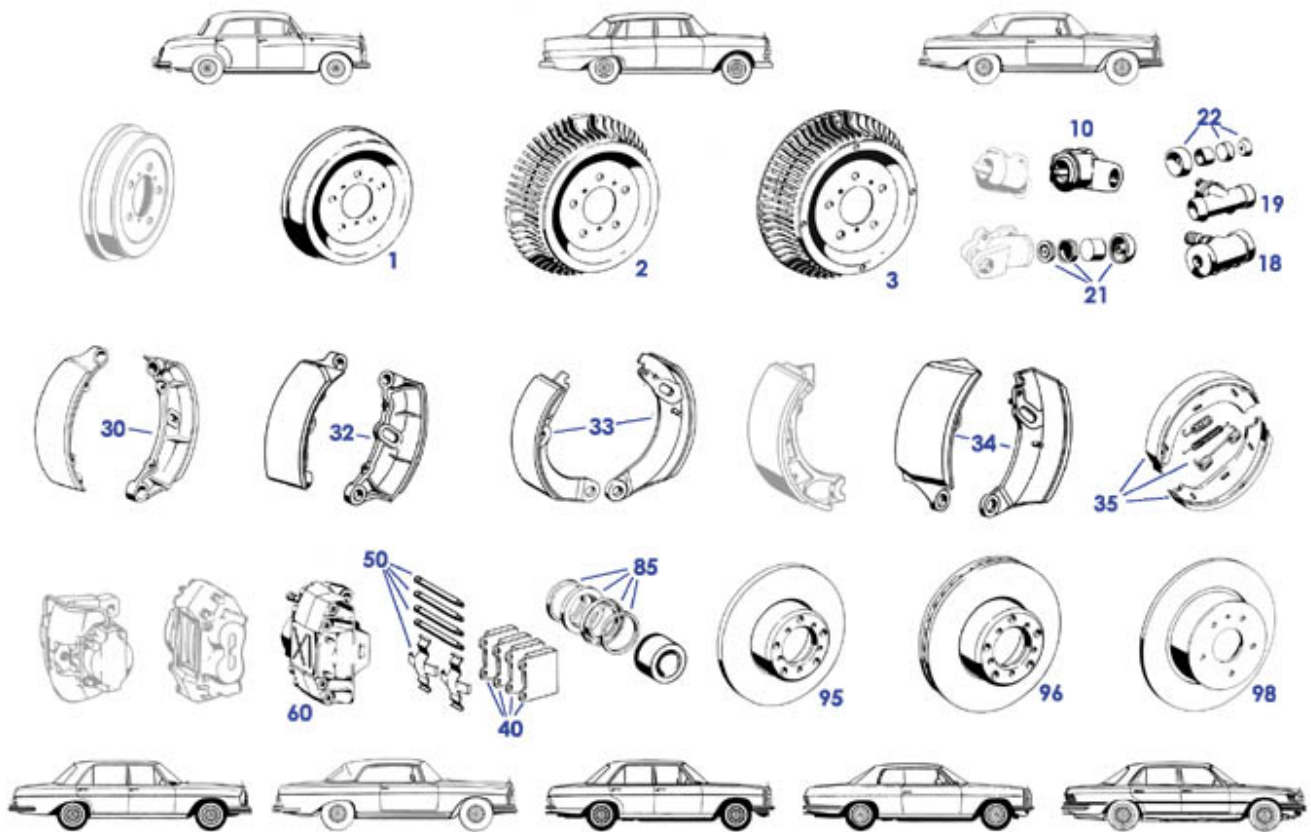
Graf.Inh. zuletzt überarbeitet 21.01.2010 d. SLS-Red.

	see 842069 due to merged variation	242869	N/A	Master cylinder 250 - 280 SL, R107	243711	€ 250,82
	Servo(boost) T50/24/1	343002	N/A	-> '74, brand		
	1m white vac-hose for brake vacuum	943782	€ 14,40	N/A ! Separator, brake vac hose	243783	N/A
	Sheet metal screw with hexagon 5.5 X 13 galvanized	990102	€ 0,20	workshop fitting for 4.75 lines, male	942966	€ 0,57
	Brake fluid tank, sedan, plastic	443005	N/A	thread, hex		
	Bracket 250-280SL	243658	€ 1,06	screw plug for master cylinder	943019	€ 2,49
	brake force limiter rear axle 111/108 6Z FN	842069	€ 329,99	M12x1		
	screw plug for master cylinder M12x1	943017	€ 2,89	Brake booster, Repro replacing T51	243800	N/A
	M10 x 1 ATE blug bolt	943018	€ 14,99	Master cylinder 250 - 280 SL, R107	243811	N/A
5	A0044300630 Servo(boost) T51/100	343001	N/A	-> '74, brand A		
5	Brake Booster (Repro) Replacing T51-200 / A00043	243700	€ 699,90	Brake fluid.res. 09.75->08.85,	743806	€ 329,99
9	Brake Servo TRW, 107 from '85, div. 129,126,124	743830	N/A	ref.No. A0014315302		
9	Brake Servo ATE, 107 from '85, div. 129, 126, 124	743030	€ 297,45	Spring, brake cables up to 08.'76	742555	€ 7,62
10	"Master Cylinder, 190SL w/o T50	143011	€ 369,69	A0004302130 Booster, new MB	143900	N/A
12	A0004309301 Master brake cyl. 220S/SE e	443012	N/A	production		
				A0004305530 Brake booster	243000	N/A
				T51-200, R113		
				e.g. 113 from 280, 107 up to 08.'85	243030	€ 909,90
				Brake Servo Textar, 107 from '85,	743730	€ 292,92
				div. 129, 126, 1		
				Servo(boost) 200-280CE , Ref	543000	N/A
				001 430 6630		
				maybe add 943019	143010	€ 231,60
				A0014301101 Mastercyl. W111	343010	N/A
				220SEb/C ea		

13	A0014300901 Mastercyl. W/C112 ->04653	343013	N/A	14	Master cylinderFN	243012	€ 297,60
14	Master cylinder 230SL LHD from 08143	243010	€ 369,83	17	Master cylinderFN	243011	€ 269,00
17	B.m.c. 07.74->08.75 ATE	743011	€ 254,22	19	B.m.c.280/350/380/450/500SL/C	743012	€ 197,72
20	Reservoir, metal version, LHD	142178	€ 109,00	22	Brake fluid reservoir e.g. 110/111 single circle,	343005	€ 54,74
22	Brake fluid reservoir e.g. 110/111 single circle,	343805	€ 40,28	23	A0024312402	343006	N/A
25	reservoir, ca'62-'67 (no floater),reproduction	243705	€ 76,64	25	Br.fld.res.,sng.,220SEb cpe A0004314502 Fluid tank	243005	N/A
25	o-ring seal for master cyl reservoir ->67	243033	€ 3,31	26	-->11.1967		
26	Reservoir12.67->7.75,replaced!see pic	243006	€ 289,27	27	Reservoir from '68, fits manual	243606	€ 90,18
29	del.-t. Brake fluid.reservoir 09.75->08.85, ref.N	743006	N/A	30	A0014315502 Br.fld.res. 116 mid. 08.75-	643005	N/A
30	Brake hose fr. 470mm	942005	€ 17,85	30	Brake hose W110 early fr.	942004	€ 15,78
30	Brake hose front, Lt. or Rt.	143035	€ 50,10	30	Brake hose fr., 380mm	942003	€ 14,57
34	Brake hose rear left side, 111 from FN, 108 up to	843052	€ 28,50	34	Brake hose, front Lt.or Rt.	242040	€ 49,99
34	Brake hose rear left up to model year 1966	143051	€ 32,00	34	Brake hose, rear Lt.	242111	€ 50,99
37	Brake hose,rr, fits "direct@caliper"	742106	€ 33,20	37	Brake hose R/C107,C114,116rr.	742105	€ 34,99
37	Brake hose, rr.rh. 220mm, W121,113,111,108...COH	143052	€ 49,99	37	Brake hose rr e.g. W114 late, 280mm	543052	€ 13,91
40	Brake cable fr. 220S/SE lim.	442151	€ 159,46	37	Brake hose W109 rr. Lt./Rt.	843056	€ 22,63
41	cable W116 S/SE front	642100	N/A	40	Brake cable middle	442150	€ 140,00
41	A1094200185 Handbrake cable 280SEL-300S	842105	N/A	41	A1154201685 Brake cable, 114/115	542101	N/A
41	A1164200685 Brake cable W116 SEL fr.	642101	N/A	41	Brake cable mid.108S/SE, 111:230S+Cpe67	842100	N/A
41	A1104202585 Brake cable mid. 110: 190/1	342101	N/A	41	Handbrake cable W111 middle	342100	N/A
41	A1114202385 Brake cable mid. W111 early	342103	N/A	41	A1104203485 Brake cable mid. 200/200D/2	342102	N/A
45	Brake wire rear, Repro	143160	€ 115,68	45	A1804201085 Emergency brake cable, rear	143060	N/A
47	A1154202785 Brake cable, 114/115 Lt.+Rt	542160	N/A	47	A1104201885 Handbrake cable W110 early	342130	N/A
47	A1124201685 Brake cable rr.Lt.	342135	N/A	47	Brake cable W116 rear , left	642160	€ 42,99
47	A1104201985 Handbrake cable W110 early	342140	N/A	47	A1094200885 Brake cable rr.Rt.	842180	N/A
47	A1124201785 Brake cable rr.Rt.	342145	N/A	47	A1164201385 Brake cable 450SE rr.Lt.	642170	N/A
47	Handbrake cable W110,111->67, rr RH	342180	€ 99,00	47	Handbrake cable W110,111->67, rr LH	342170	€ 95,00
47	Handbrake cable W108 rr.Rt.	842140	€ 49,98	47	rear left Handbrake cable W108	842130	€ 49,98
999	Brake pipe set 250-280SE/C	342285	N/A	47	A1094200785 Brake cable rr.Lt.	842170	N/A
999	Brake line LHD Mastercyl->frt RH 2350mm	442013	€ 7,38	999	Brake line set 200-250CE	542255	€ 30,35
				999	Brake line W120 ctre, 2500mm	442017	€ 17,06

42/43 Brake (at wheels) 1958 - 1973

42/43 Brake (at wheels) 1958 - 1973

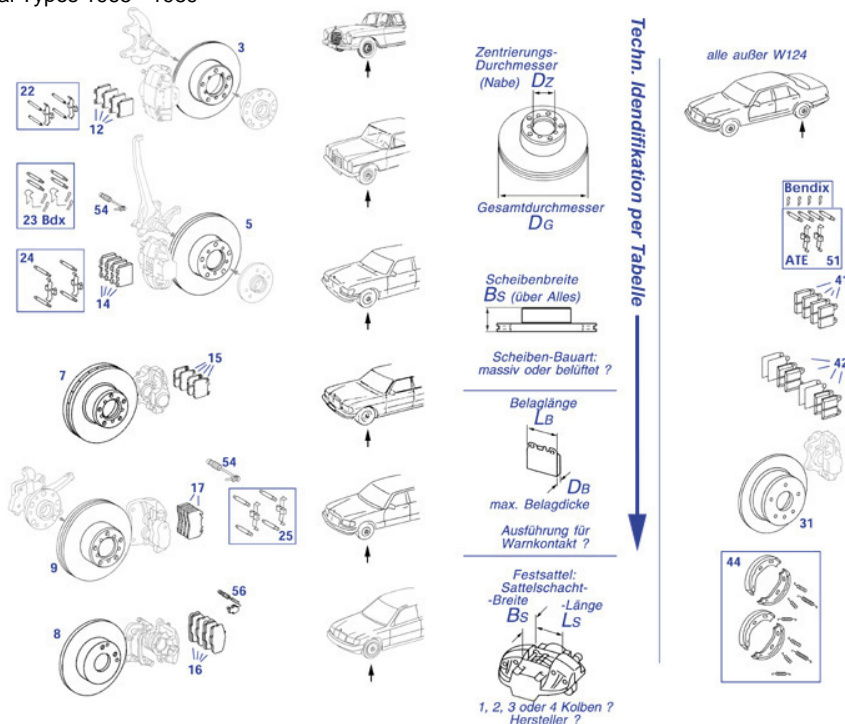


	brake disc, front, brand FEBI	543299	€ 24,68		Repair kit Caliper W113 & R107 > 12.1972	242715	€ 79,99
	Set brake pads for Dunlop parking brake	342200	€ 84,99		pivot pin brake shoes to cylinders early style	142036	€ 115,00
	screw for brake axis 230 SL	242116	€ 33,44		Screw, backplate to axle, 250-280SL	242117	€ 39,98
1	A1204210601 Brake drum, steel, narrow	442100	N/A	2	A1804210801 Brake drum rear	135000	N/A
3	A1134200005 Brake drum	142100	N/A	10	Wheel cyl. ATE frt Rt. 021835>	143040	€ 116,38
10	Wheel cyl. frt RH. 021835>	143840	€ 53,10	10	Wheel cyl. frt Lt. 021835>	143830	€ 53,10
10	Ponton und 190SL vor Modernisierung, Achtung: die	443041	€ 149,99	10	Ponton und 190SL vor Modernisierung, Achtung: die	443031	€ 149,99
10	Wheel cyl. ATE front left, 021835>	143030	€ 117,99	18	Brake cylinder rear '57-> + replacements	143050	€ 79,33
19	Wheel cylinder rr. 19,05mm ATE 230SL	242070	€ 98,81	21	Repr. kit, fr. wheel cyl. ATE	143045	€ 85,68
22	Wheel brake cylinder repr. kit	242071	€ 20,13	22	cyl.kit 23,81mm cyl.piston 7500148>	143049	€ 41,55
30	Brake shoes alu fr.50mm exch.	442000	N/A	32	strictly recommended: installation per set (4 pcs)	142000	€ 115,43
33	We would be happy to advice you Brake shoes, fr.50	442085	N/A	34	late from 3/1962	142086	€ 305,00
34	Set of brake shoes 65mm 4pce	142885	€ 243,95	34	early until 3/1962	142085	€ 305,00
35	Brake shoes and fitment parts, ATE	242200	€ 33,78	40	Satz Bremsbeläge hinten TEXTAR	242888	€ 34,90
40	Brk.p.set 300-500SL, fr. fm.'85	742033	€ 58,49	40	Brk.pads 280/350/450SL/SLC frt 73-80 ATE	742030	€ 31,18
40	Brand ATE	742031	€ 31,04	40	Set of ATE rear brake pads 1965-19'72 W113-108	242088	€ 27,49
40	Set brake pads frt. calipers '65-'72,ATE	242030	€ 31,12	40	** please identify calipers	242031	€ 45,77
50	Brake fittings, fr. 107+116	742028	€ 14,61	50	Front Fitting kit, brake.pads 03.1980 ->	742029	€ 9,42
50	Fitting kit, brake pads	242081	€ 9,41	50	Mounting Kit BENDIX-brake front W114/115	542086	€ 10,77

50	ATE Accessory kit for rear brake pads	242082	€ 7,20	60	Calliper W116 fr. Lt.	642010	€ 408,27
60	Caliper R/C107 rear Rt.	742852	€ 100,70	60	Brake caliper, Lt. 108-113, 115, ATE	242010	€ 476,00
60	Brake caliper, Rt. 108-113, 115, ATE	242020	€ 503,47	60	Brake Caliper rear LH 250 - 280SL (S/SE: FN)	242021	€ 501,44
60	Brake Caliper rear RH 250 - 280SL (S/SE: FN)	242022	€ 455,87	60	Brake Caliper rear RH 250 - 280SL (S/SE: FN) Budwe	242822	€ 275,00
60	Brake Caliper rear LH 250 - 280SL (S/SE: FN) Budwe	242821	€ 275,00	60	Caliper R/C107 rear Lt.	742851	€ 100,70
60	Calliper W116 fr. Rt.	642020	€ 408,27	60	Caliper V8, rear left, FN	742053	€ 264,48
60	Calliper 114/115 late fr.Rt.	542020	€ 239,08	60	Calliper 114/115 late front left side	542010	€ 245,08
60	Caliper R/C107 rear left (ATE)	742051	€ 329,53	60	In exchange: Late Calliper W108/111 rear right sid	842040	€ 620,64
60	Caliper R/C107 rear Rt.	742052	€ 342,65	60	Caliper V8, rear Rt., V8 EUR 73-> FN !	742054	€ 265,00
60	Calliper 108/C111 front left side (late version)	842010	€ 386,99	60	Calliper 108/C111 fr.Rt. late ATE	842020	€ 386,99
60	In exchange: Late Calliper W108/111 rear left	842030	€ 526,59	85	Repair-kit for rear brake caliper 250-280SL/SE/L	242025	€ 39,82
85	Repr. kit calliper rr. 111/108 "35"	842025	€ 42,05	85	Repr. kit, caliper Budweg	242825	€ 14,83
85	Repair set, brake caliper	242017	€ 78,00	85	Brake caliper seal kit, fits ATE 66-72	242015	€ 49,50
95	please order separate	543300	N/A	96	Set brake discs front, W126 !85->brand ATE	643400	€ 145,00

42/43a Brake discs, several Types 1965 - 1989

42/43a Brake discs, several Types 1965 - 1989



Durchm. Gesamt	Bauart	DZ Nabe (Zentrierung)	Scheibenbreite BS GESAMT	SLS-Nr. vgl. (Scheiben) Bild	Beispiele Baumuster	Hinweis	Beläge (1Achse)	vgl. Bild	
253mm	unbelüftet	69mm	66,5mm	243100	110-113 mit "3-Kolbenbremse" übrige 110-113 ATE, 1966/1967	BM, welche theor. noch mit 13" Rädern zu haben waren	242031 (Girling)	12	
273mm	unbelüftet	69mm	63,4mm	243200	108,109, 113, 111, 114/115 früh	114/115 mit alter Radnabe	242030	12	
	belüftet	80mm	67,3mm	643200	108,109,111,112 spät	SE 3 5 alle, SE 2 8 ab FN	242030	12	
	belüftet	80mm	63,4mm	543200	114/115 mitte	114/115 ab Einsatz vergrößerte Nabe	242030	12	
278mm	unbelüftet	80mm	63,5mm	543300	114/115 einige, 123 alle!	Beläge 17,5mm nur 123, nicht /B für dünne (15mm) Beläge	542032	14	
	belüftet	80mm	66,5mm	743100	116 alle	Bauart wie oben, aber Einsatz dickere Beläge (Sattelschacht breiter)	742030	14	
	belüftet	80mm	68,5mm	743300	126 bis 1985 (14")		742031	15	
284mm	unbelüftet	67mm	43,5 - 46,5 mm	543400	124+201 diverse, je nach Baujahr / Motorisierung	zu Einzelkolben-Faustsattel	542033	16	
	belüftet	80mm	68mm	643400	126 ab '85 (15", Gullideckel)	Faustsattel oder 4-Kolben-Sattel	942030		
300mm	belüftet	80mm	68mm	643400	126 ab '85 (15", Gullideckel)	standard: zu 2-Kolben Sattel	742031	15	
279mm	H I N T E N	67mm	69,5 - 71,7mm	243300	31	Scheibe mit Trommel, diverse (Ausführung für alle, außer 124)	Klotze "ruh" ohne Quietsch-Pad	242088	41
							Wahlweise für alle, Klotze "spät"	742088	42
						Beläge angefasst und mit Unterlage	242200	44	
						Satz Bremsbeläge für Trommel (Feststellbremse) mit Federn			

	brake disc, front, brand FEBI	543299	€ 24,68		Bremsscheibe W/C114 vorn, brand: 543199	€ 31,59
22	Anbausatz BENDIX-Bremse hinten	742089	€ 12,99	14	Brand ATE	742031 € 31,04
	Fitting kit, brake pads	242081	€ 9,41	23	Mounting Kit BENDIX-brake front W114/115	542086 € 10,77
24	Brake fittings, fr. 107+116	742028	€ 14,61	25	Front Fitting kit, brake.pads 03.1980 ->	742029 € 9,42
42	incl. layer anti-noise	742088	N/A	51	ATE Accessory kit for rear brake pads	242082 € 7,20
54	Wear contact, brake pad	742025	€ 2,52	56	el.pointer, flat pad, e.g.124 Types	542025 € 6,01
242030	Set brake pads frt. calipers '65-'72,ATE	242030	€ 31,12	242031	** please identify calipers	242031 € 45,77
242088	Set of ATE rear brake pads 1965-19'72 W113-108	242088	€ 27,49	242200	Brake shoes and fitment parts, ATE	242200 € 33,78
542032	Set of brake pads front W123, ATE	542032	€ 39,40	542033	Set brake shoes, ATE	542033 € 42,66
543300	please order separate	543300	N/A	643400	Set brake discs front, W126 '85->brand ATE	643400 € 145,00
742030	Brk.pads 280/350/450SL/SLC frt 73-80 ATE	742030	€ 31,18	742088	incl. layer anti-noise	742788 € 24,95

42.e Brake pipes assorted by length

SLS-Nr	MB-Ref. (Nummern- Ersetzung möglich)	Länge mm	Außen- Durchm. mm	Innen- Durchm. mm	Gewinde 1	Gewinde 2	Bördel 1	Bördel 2	SW
742104	A1234205028	195	4,8	3	M10 X 1	M10 X 1	F	F	11
742102	A1234205328	255	4,8	3	M10 X 1	M10 X 1	F	F	11
742165	A1074201128	300	4,8	3	M10 X 1	M10 X 1	F	F	11
542066	A1234205428	340	4,8	3	M10 X 1	M10 X 1	F	F	11
742068	A1234205528	345	4,8	3	M10 X 1	M10 X 1	F	F	11
142814	A1234205628	390	4,8	3	M10 X 1	M10 X 1	F	F	11
742064	A1074209228	420	4,8	3	M10 X 1	M10 X 1	F	F	11
142030	A1234205728	430	4,8	3	M10 X 1	M10 X 1	F	F	11
142020	A1234205828	450	4,8	3	M10 X 1	M10 X 1	F	F	11
142812	A1804200430	480	4,8	3	M10 X 1	M10 X 1	F	F	11
142010	A1804200137	500	4,8	3	M10 X 1	M10 X 1	F	F	11
242101	A1234205928	525	4,8	3	M10 X 1	M10 X 1	F	F	11
242066	A1234206028	575	4,8	3	M10 X 1	M10 X 1	F	F	11
242064	A1234206128	635	4,8	3	M10 X 1	M10 X 1	F	F	11
742168	A1234209428	840	4,8	3	M10 X 1	M10 X 1	F	F	11
742066	A1234206528	1030	4,8	3	M10 X 1	M10 X 1	F	F	11
742067	A1234207028	1495	4,8	3	M10 X 1	M10 X 1	F	F	11
242067	A1234207228	1650	4,8	3	M10 X 1	M10 X 1	F	F	11
142017	A1234207528	2195	4,8	3	M10 X 1	M10 X 1	F	F	11
742166	A1074209328	2295	4,8	3	M10 X 1	M10 X 1	F	F	11
142013	A1234207428	2390	4,8	3	M10 X 1	M10 X 1	F	F	11
442017	A1204200332	2500	4,8	3	M10 X 1	M10 X 1	F	F	11
742167	A1234207628	2510	4,8	3	M10 X 1	M10 X 1	F	F	11
242065	A1234208128	3100	4,8	3	M10 X 1	M10 X 1	F	F	11
742065	A1234208228	3190	4,8	3	M10 X 1	M10 X 1	F	F	11
742069	A1234208328	3270	4,8	3	M10 X 1	M10 X 1	F	F	11
742063	A1234208728	3640	4,8	3	M10 X 1	M10 X 1	F	F	11



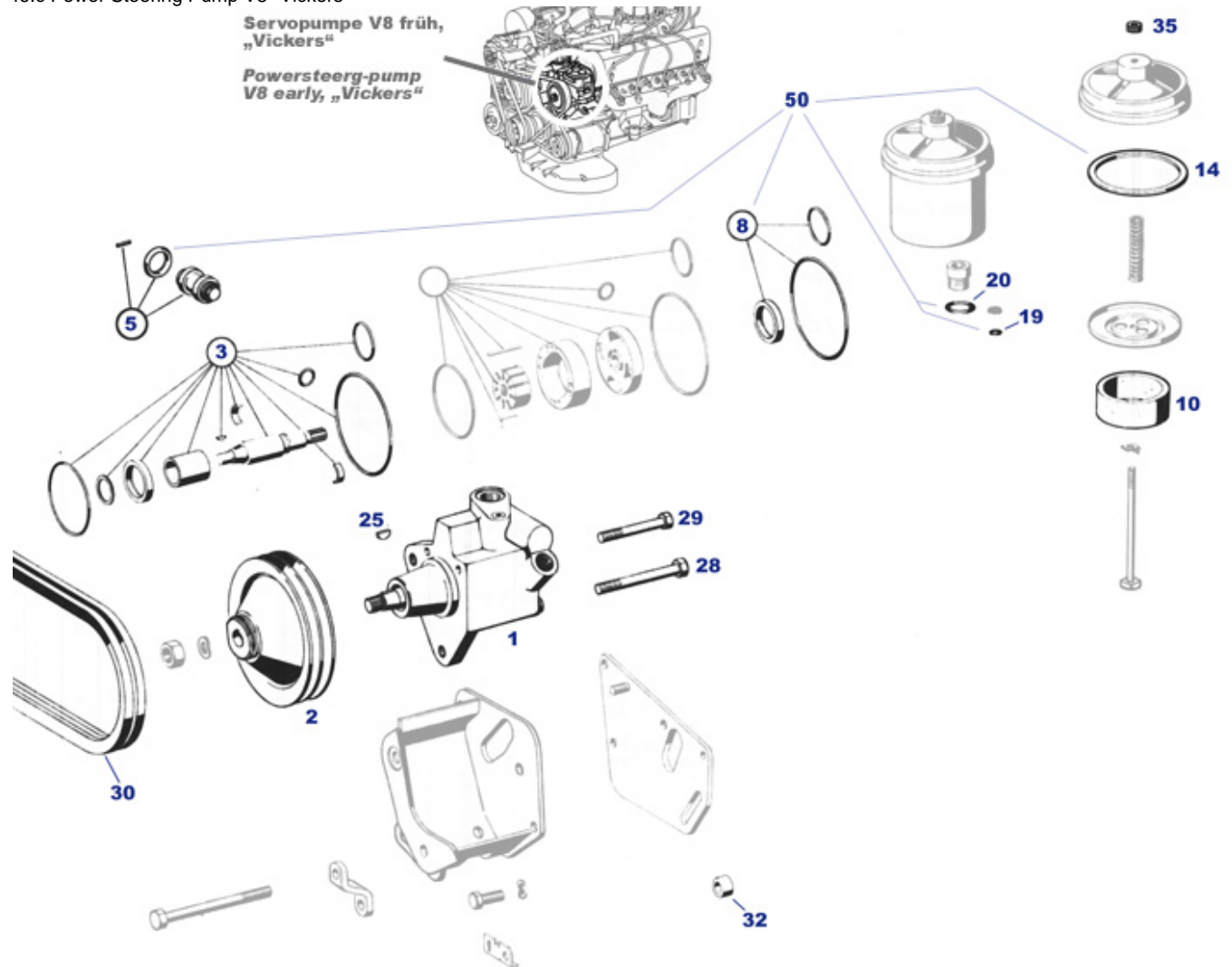
Andere / others

	inline connector, female, fits F-type brake lines	142846	€ 1,59		workshop fitting for 4.75 lines, male thread, hex	942966	€ 0,57
	5 meter brake steel tube 4.75, zincd, painted	942967	€ 17,55		Brake line, master-cyl.->tank 8501755>	142025	€ 34,99
	Verteiler Bremsltg. m.Entl. hi. 57->	242104	€ 311,26		Brake line LHD Mastercyl->frt RH 2350mm	442013	€ 7,38
	Brake line, T-50->dist. blk. 8501755->	142023	€ 24,94		Brake line, T-50->dist. blk.->8501754	142022	€ 15,71
	Brake line, T-50->master-cyl. LHD	142021	€ 15,30	142010	Brake line 500mm: rr ctre 190SL+ pontoo	142010	€ 6,60
142013	Brake line, ca. 2390mm, 190SL w.T-50, front Rt.	142013	€ 22,00	142017	Brake line 2195mm, 190SL LHD w.T50, ctre	142017	€ 19,68
142020	Brakeline 450mm:R- RH(drumbrke),+frtLH'6	142020	€ 27,49	142030	Brake pipe 430mm: rr LH 190SL+pontoon	142030	€ 5,68
142812	Brake line 480mm, e.g. 190SL rr rh	142812	€ 12,25	142814	Brake line 390mm	142814	€ 10,95
242064	Brake pipe, rear middle 635mm	242064	€ 15,35	242065	Brake pipe, long, ctre section, 3100mm, 250-280SL	242065	€ 34,50
242066	Brake pipe, rear ctre or rr.LH, 575mm	242066	€ 15,99	242067	Brake pipe, front Rt.,late 1650mm	242067	€ 32,00
242101	Brake pipe 525mm: rr ->'67 LH, '67-> RH	242101	€ 14,85	442017	Brake line W120 ctre, 2500mm	442017	€ 17,06
542066	Brake line 340mm	542066	€ 5,95	742063	364 cm total length	742063	€ 20,00
742064	Brake line 420mm, div. purpose	742064	€ 7,50	742065	Brake pipe master cyl./junction, LHD 3190mm	742065	€ 36,89
742066	Brake line 1030mm, e.g. rr m / rr rt	742066	€ 15,17	742067	Brake line 1495mm,RHD- Mastercyl->connct	742067	€ 18,93
742068	Brake line, Mastercyl.->Wheel drv-	742068	€ 8,13	742069	Brake line, ctre/long, LHD+FN,	742069	€ 29,37

	side				3270mm		
742102	Brake line e.g. rr.lt, 255mm	742102	€ 5,70	742104	Brake line 195mm :, 230frt Lt.,107 rear	742104	€ 21,00
742165	brake line 300mm, div. purpose	742165	€ 5,87	742166	Brake line 2295mm,e.g.LHD mastercyl->	742166	€ 38,50
742167	Brake line 2510mm, eg LHD-ABS->wheel f.	742167	€ 24,40	742168	Brake line, e.g. ABS->wheel frt.rt.	742168	€ 12,02

46.c Power Steering Pump V8 "Vickers"

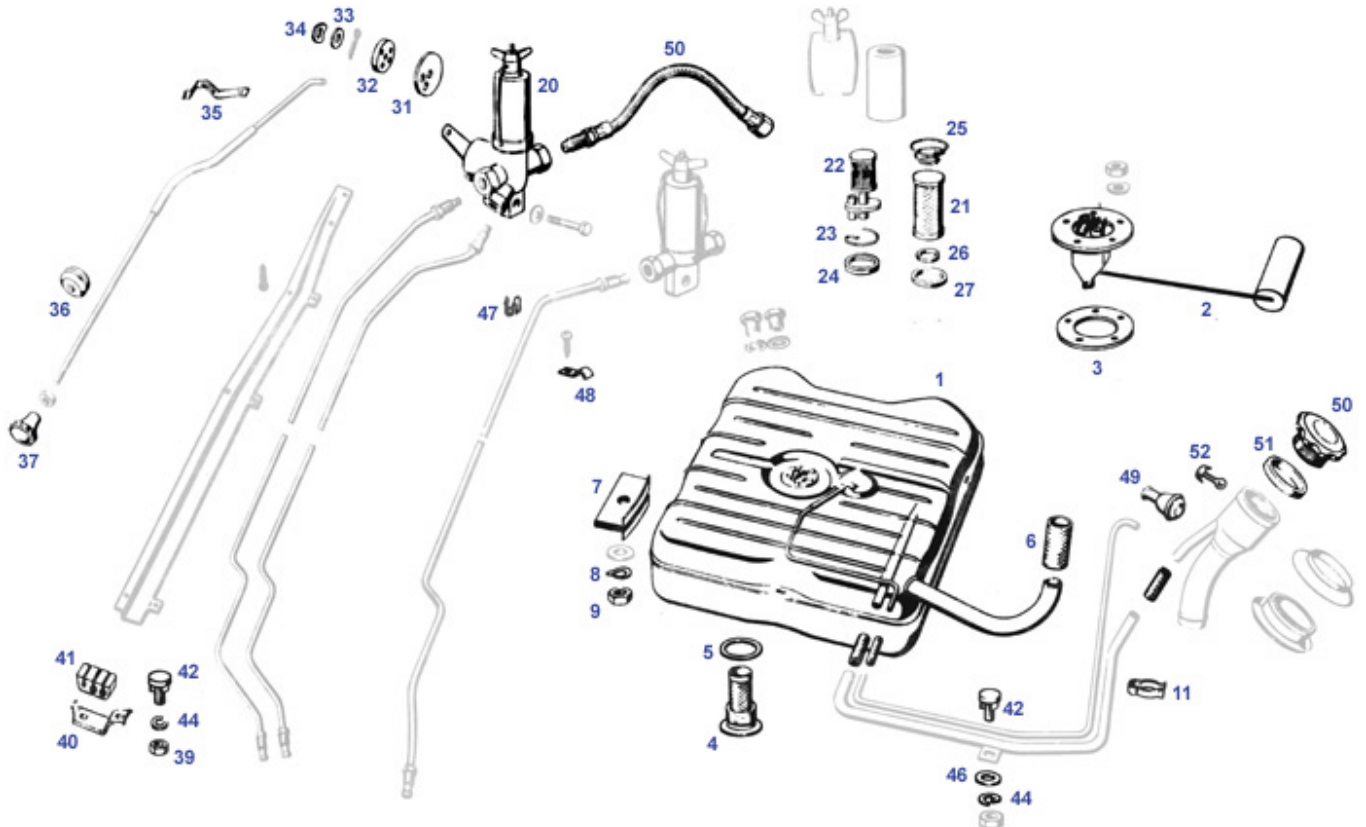
46.c Power Steering Pump V8 "Vickers"



1	Pump,pwrsteerg, used, sealed, tested, (old part re	246100	€ 609,99	2	A1164660015 PWS pump pulley e.g 116.980	346141	N/A
2	A1164660115 Pulley V8-pws-pump early	746141	N/A	3	A0005865646 Repr. kit,pas.,shaft+bushes	246115	N/A
5	A0005864246 Rep-kit pressure valve	746114	N/A	8	Short gasket kit , pws pump "cyl-shaft"	246104	€ 2,68
10	Filter, pws. fluid tank	299022	€ 29,99	14	Sealing ring, fluid tank cap	299023	€ 3,68
19	O-Ring pws-reservoir->pump, small	746243	€ 1,20	20	O-ring Vickers pump,housing,reservoirV8	746246	€ 1,87
25	woodruff key, pump shaft pws	246116	€ 9,50	28	A0019904301 Bolts for PAS	246112	N/A
29	Bolt Vickers PWS pump, 3x required	246096	N/A	30	Pws drive belt 10 x 1225 e.g. 111-3,5	399123	€ 13,80
30	Fan belt 10 x 1184, z.B. 3.5 Servo,FN	799123	€ 11,00	32	A1164661251 Metal spacer tube, e.g. 10m	746351	N/A

47.a Tank Ponton

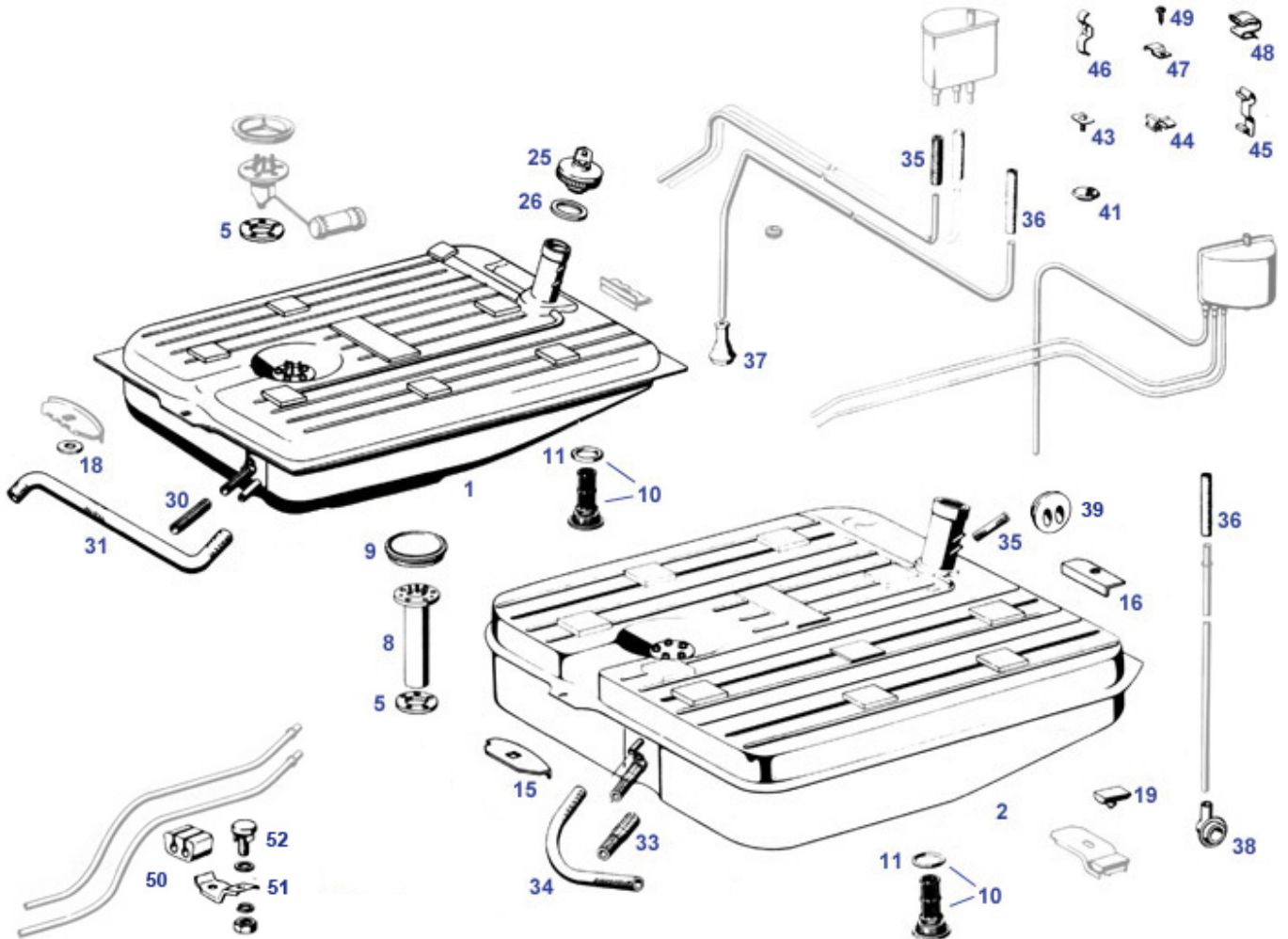
47.a Tank Ponton



	Spring clip	147629	€ 16,66		clamp inlay	747038	€ 1,84
	A1204760184 Rubberprotection f. clamp	147039	N/A		rubber inlay, for 3 pipes (8 + 8 + 5mm)	247859	€ 5,63
	1m Fuel hose tank->pump	247005	€ 10,41	1	NL Tank zB W120 56 L	447001	N/A
1	11/17mm, fabric						
1	Fuel Tank (65 Liter) for Ponton (e.g. 220S etc.)	447000	€ 892,49	1	A1284702601 Tank 60L W128 2-door	447003	N/A
1	A1284702401 Tank 60L W128 4-door	447004	N/A	2	please consider/follow new wiring pic	154000	€ 116,99
3	Gasket for fuel sender 1956-1972 A1104710180	147015	€ 1,48	4	N/A : Screwed drain plug	147055	€ 49,80
5	Alu seal ring M26, e.g. fuel tank	147056	€ 0,95	6	Gummischlauch am Tankstutzen	447053	€ 17,85
7	Retainer, fuel tank	147822	€ 66,94	7	Front bracket, e.g. W108	847026	€ 29,90
7	Fuel tank bracket, wide design, see illustration	147022	€ 69,85	8	see 799911	142913	N/A
9	Nut M8	142155	€ 0,50	11	Spring clip,vac. pipe to fuel line	299471	€ 15,15
20	see 147825	147025	N/A	21	Filter element, throw away paper	147001	€ 13,07
22	Filter element, re-useable	147002	N/A	23	A0009940437 Lock ring, early strainer c	147079	N/A
24	Gasket, filter cup ->7502460	147081	€ 4,86	25	A0009940837 Spring	147037	N/A
26	Gasket, filter element to housg late	147085	€ 1,36	27	Gasket, filter cup 7502461->	147080	€ 2,14
31	Gasket, fuel tap 7502461->	147088	€ 3,72	32	Gasket, fuel tap ->7502460	147089	€ 8,56
33	Washer5.3mm	142905	€ 0,24	34	Washer,waved shape,M5, zined	142904	€ 0,25
35	Spring clip	147029	€ 29,90	36	Grommet for front panel	299808	€ 0,77
37	Knob (M5) for wiper switch...	154044	€ 49,98	39	Hex nut M6, yellow zinc.	181023	€ 0,18
40	Fuel and brake line clamp, for 30mm rubbers	147014	€ 2,50	41	Rubber guide	147038	€ 3,76
41	Rubber prot. 3 pipes in clamp	147839	€ 2,59	42	Clamping Bolt M6 for square bodypanel holes	188036	€ 8,45
44	Spring washer, fits M6	181028	€ 0,18	46	Washer 6,5 x 13	799915	€ 0,17
47	A0019889878 Clip, hood release	288028	N/A	48	Hose strap, replaces hose clamp	250099	€ 0,55
49	Manschette	447079	€ 10,84	50	see 147926	147026	N/A
50	Tankentl.,Bauart"Ponton"			51	Seal Ring	999040	€ 1,67
	A1365010054 Oil filler cap	250101	N/A				

47.b Fuel tank W108-112 S/SE div.

47.b Fuel tank W108-112 S/SE div.

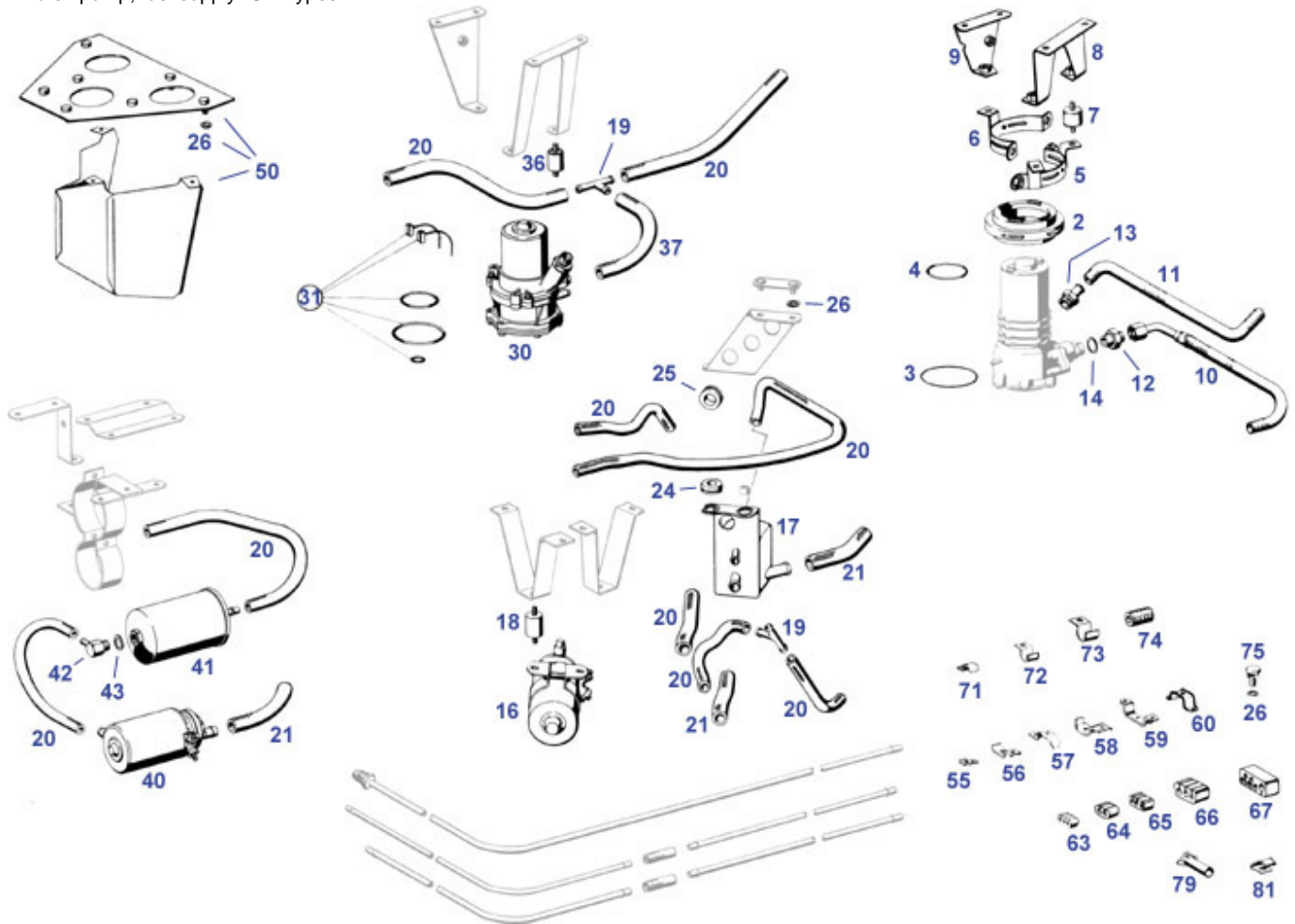


	Plug with strainer, MB A 111 4700686	247912	€ 32,13		A1109870145 see 147016 or 347014	247014	N/A
	see 847809, fueltank 82 ltr, div 108-112, Repro	847709	N/A		clamp 37,5 mm	747040	€ 5,24
	1m Fuel hose 5,5mm e.g. 107-fuel vent.	247047	N/A		rubber inlay, for 3 pipes (8 + 8 + 5mm)	247859	€ 5,63
	handle, fuel door 110 or 111 early	375847	€ 29,99		Inline Fuel Filter universal, transparent	547702	N/A
	Fuel tank sender, fits 78L in W114/115	547734	N/A		expansion reservoir for fuel tank ventilation	247868	€ 140,00
	Fueltank 82ltre.Repro	847000	N/A	1	A1084700301 Fuel tank 65ltr,110/111 ear	347000	N/A
2	Fuel Tank 78ltr, 250-280E/114	547709	€ 795,00	2	A1094700501 Fuel tank 105 litre, 300SEL	847001	N/A
2	Fuel tank 82 ltr, div 108-112, Repro	847809	€ 577,15	5	Gasket for fuel sender 1956-1972 A1104710180	147015	€ 1,48
8	fuel sender, 250/280SL, Repro	247606	€ 189,89	8	A110 542 1204 Tank sender, 82 Litre	247006	N/A
9	Cover above fuel sender, plastic,black	347014	€ 7,79	9	round cover above fuel sender,Repro	247814	€ 5,20
10	threaded plug with filter element	247012	€ 20,35	11	A1119970840 Seal ring	347013	N/A
11	Seal ring, tank filter	247013	€ 0,26	15	Front bracket, e.g. W108	847026	€ 29,90
16	Clamp, fuel tank, rear	247026	€ 5,77	18	Shim, Exh/Tank support	298776	€ 2,83
19	A1249870740 Rubber buffer	298795	N/A	20	A1154710268 Expansion tank	247068	N/A
25	Fuel tank cap w.lock black plastic	747011	N/A	25	N/A Gas cap locking non-vented	147010	N/A
25	Fuel cap, plastic, no lock, FEBl	747009	€ 8,15	26	Seal ring @ gas cap	247010	€ 3,27
31	A1284760526 Fuel hose, pump->feed 111 e	347003	N/A	31	Hose adapter diam 15->12mm, new pumps @ 82ltr	347998	€ 7,66
31	A1114760726 Fuel hose,	347004	N/A	33	Fuel hose 13 x 20mm, plain mantle	747027	€ 27,19

	tank->pump 111 m						
33	1m Fuel Hose 14/22mm	747029	€ 37,28	33	A1114761526 Hose	347999	N/A
34	1m Fuel hose tank->pump 11/17mm, fabric	247005	€ 10,41	35	1 m Fuel hose, 4 x 10	247046	€ 4,76
36	1m Fuel hose 5,5mm e.g. 107-fuel vent.	247847	€ 3,92	37	Sleeve, tank ventilation	247079	€ 7,95
37	Grommet, breather tube	447019	€ 21,06	38	Grommet, tank vent pipe through carbony	147070	€ 6,52
39	111, C107, not Roadster 107	398795	€ 2,30	41	Rubbergrommet 3,5/22mm, fuel vent rear	399028	€ 5,63
41	Grommet, two hole, 5/24, for fuel tank ventilation	199028	€ 5,26	43	A0009903533 Special head screw	899034	N/A
44	A0029884678 Clip	398147	N/A	45	Clip,tank ventilating pipe	247055	€ 17,30
46	Clamp, expansion tank 6mm/9mm	247069	€ 9,70	47	Clamp e.g. 6mm lines, wiring, ..	398047	€ 0,13
48	A0039888178 Clip, expansion tank	247067	N/A	49	N000000002062 Screw	998947	N/A

47.d el. pump, fuel supply "SE-Types"

47.d el. pump, fuel supply "SE-Types"



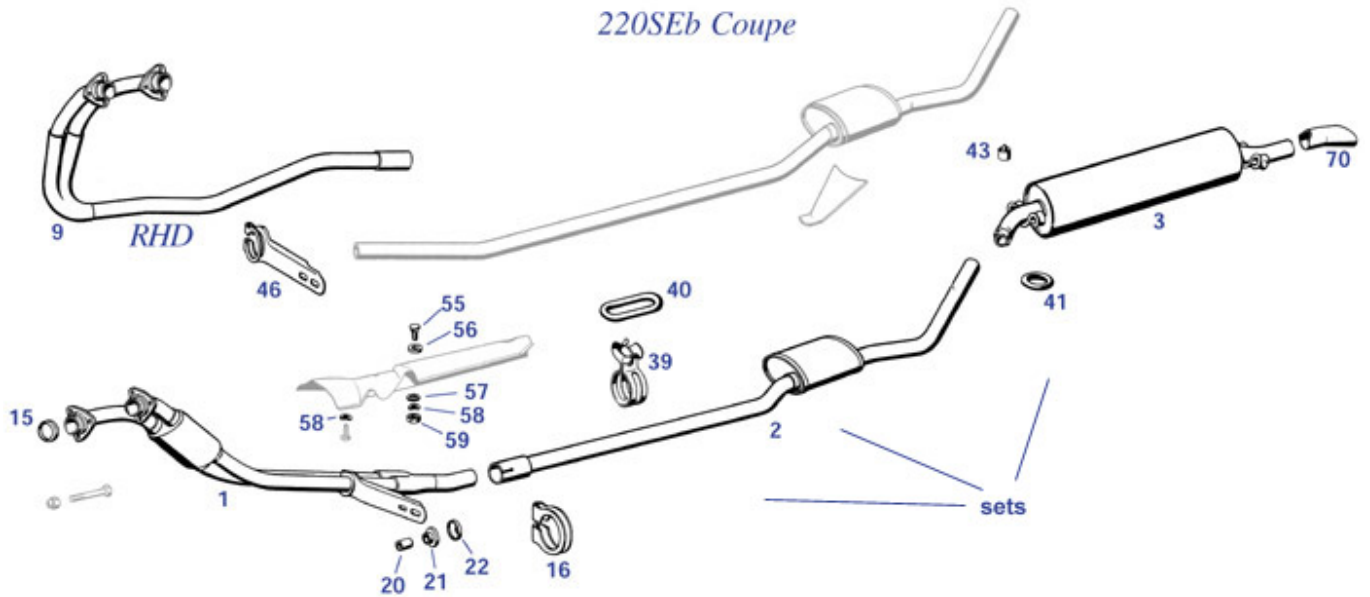
	impeller disc, small feeder pump 280SE/SL	247070	€ 138,22	clamp 37,5 mm	747040	€ 5,24
	rubber inlay, for 3 pipes (8 + 8 + 5mm)	247859	€ 5,63	Universal Fuel pump, alternative for D-Jet	347005	€ 166,90
	A1124700581 Big pump support	347085	N/A	2 Ring, early fuel pump rubber mount	247033	€ 47,10
3	Seal ring,lower,early	247037	€ 4,55	4 A0009979145 Seal ring,upper,early	247034	N/A
5	Clamp,early ,second half	247036	€ 127,90	6 Clamp,early ,first half	247035	€ 122,71
7	see 247828	247028	N/A	8 Pump support, f.early pump	347080	€ 46,06
10	Hose,ff.,230SL to vn.013014, W111, ..	247002	€ 44,95	12 Fitting with valve, fuel pump, early	247042	N/A
13	A0009975972 Fitting,fuel pump,early	247043	N/A	14 Seal ring 18x22 Al	109019	€ 0,94
16	A0010917401 El.Fuel pump 108/111 3.5 ea	347001	N/A	17 A1144700216 Damper unit D-Jet 1.Generat	347717	N/A
18	Rubber buffer,fuel pump,late	247023	€ 4,74	19 T-connector, fuel hoses	247015	€ 4,76
20	1m Fuel hose tank->pump 11/17mm, fabric	247005	€ 10,41	21 Fuel hose 13 x 20mm, plain mantle	747027	€ 27,19
21	A1124761226 see 247005	747003	N/A	21 Hose adapter diam 15->12mm, new pumps @ 82ltr	347998	€ 7,66
21	1m Fuel Hose 14/22mm	747029	€ 37,28	24 Grommet,14/18, bulkhead, generator wire	298784	€ 2,59
25	Rubber grommet 10/15, taillight bucket 190SL, 107	199020	€ 1,08	26 rubber washer fits M6	299081	€ 1,19
30	Fuelpump,smallversion,Bosch	247001	N/A	37 1m. Fuel hose 7,5x13,0 flat surface	247007	€ 8,50
40	N/A: Bosch 0 580 464 003 Pumpe"D-Jet"-Types	747005	N/A	41 Fuel filter R/C 107 -> 06.1976	747702	€ 29,99
42	Threaded fittig to filter 747702	747147	€ 9,75	43 Seal ring 14mm Alu	207186	€ 1,08
50	Metal box W108 pump protection	847021	€ 61,11	55 Clamp, bulkhead	242058	€ 2,76
56	Fuel and brake line clamp, for 30mm rubbers	147014	€ 2,50	57 Clamp,pipe,front, outrigger	247052	€ 5,94

58	3-way Clamp Fuel Pipes, W113 (EU)	247040	€ 2,90	59	Clamp, several lines, wide	847049	€ 13,27
63	Rubber inlay, clamp, 3 line, 1x8 + 2x5mm	847039	€ 2,82	64	see 247859 or 747038	247059	N/A
65	clamp inlay	747038	€ 1,84	66	Rubber protect. 2+1 pipes in clamp	247839	€ 7,09
66	A1123270084 Rubber protection,2 pipes i	347059	N/A	71	Clamp, e.g. oil-pipe, wires	199025	€ 4,59
71	Clamp,small,e.g.hydraulicpipe	229027	€ 3,65	72	A1089950520 Clamp e.g. 1 fuel pipe	847040	N/A
72	Clamp,pipe,under body,rear	247053	€ 7,69	74	Hose, 8,5/15mm, 1 metre	247050	€ 12,60
75	Clamping Bolt M6 for square bodypanel holes	188036	€ 8,45	79	Protection tube, ref.-No. A1085460185	254146	N/A

49 Exhaust 220SEb

49 Exhaust 220SEb

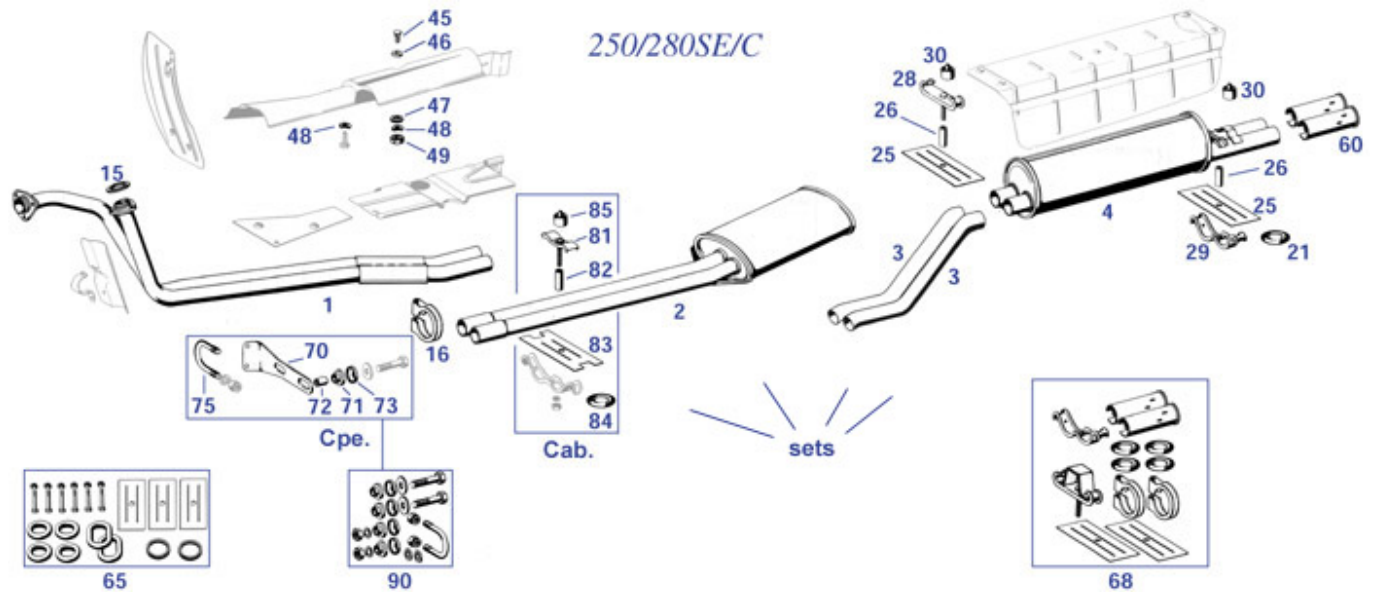
220SEb Coupe



	Set stainless steel exhaust 220SE/b Cab	349493	€ 1.818,90		RR silencer stainless 220SEb	349928	€ 747,63
	Exh. system, 220SEb coupe orig. LHD	349500	N/A		Frt-pipe stainless 220SEb/Cpe LHD	349040	N/A
	Frt-Pipe Stainless 220SE/b Cab. LHD	349005	€ 688,25		Ctre-silencer stainless, 220SEb	349923	€ 458,82
	Set 3-pcs stainless exhaust 220SEb	349891	€ 1.888,99		exhaust repair paste	749595	€ 10,67
	Hex Bolt stainless steel, M8 X 30	349818	€ 0,49	1	A1114902820 Exhaust pipe, front, 220SEb	349000	N/A
2	Centre box 220SEb/+C LHD (OEM)	349023	€ 224,90	3	End box 220SEb/C, aftermarket	349030	€ 239,90
3	Rear silencer W110, 190 (replcement), 200-230, Repr	349029	€ 298,00	9	NA- Frontpipe220SEbRHD, cpe.+4 door	349001	N/A
15	A1214920281 Flange gasket 180, 220SEb/C	449053	N/A	16	Exhaust clamp, 51mm	149017	€ 3,96
16	N000931008251	247056	N/A	16	A1124920240 Clamp, exhaust pipe 220SEb	349027	N/A
20	Spacer sleeve (e.g. exhaust bracket)	849819	€ 3,76	20	A0004920053 n/a, replace by 849819	349059	N/A
20	threaded bushing with hexagonal collar	314003	€ 8,93	21	Rubber shim at exh. bracket	114002	€ 3,83
22	Retainer at exh. bracket	114001	€ 6,55	39	A1114920040 Holding clamp, middle 220	349017	N/A
40	A1114920082 Rubber ring, middle hanger,	349016	N/A	41	inner diameter 30, rubberstring 15	249019	€ 1,90
43	Rubber buffer, floor/exhast, others...	249818	€ 4,68	43	Rubber buffer, exhaust	798747	€ 0,92
46	Frontpipe mounting bracket 220SEb RHD	314039	N/A	55	Clamping Bolt M6 for square bodypanel holes	188036	€ 8,45
56	Rubber ring, wiper motor	282407	€ 0,77	57	Washer 6.4 large, yellow zincd	299276	€ 0,18
58	Spring washer M6	142158	€ 0,15	59	Hex nut M6, yellow zinc.	181023	€ 0,18
70	Tail pipe, pipe shape, chrome, fits 45-49mm pipes	949031	€ 43,49	70	A1114920314 Tailpipe,chromecover,220-30	349035	N/A

49a Exhaust 250/280SE/C, mild steel

49a Exhaust 250/280SE/C, mild steel



In this illustration: the LHD double tube version (continuous double pipe) was used from the injection model 250SE W108 or W111 and thereafter for all 280S/SE as a modernization/successor of the one-pipe plant (types up to 250S). Since no longer all parts are available from industrial after-production, adaptation can be useful:

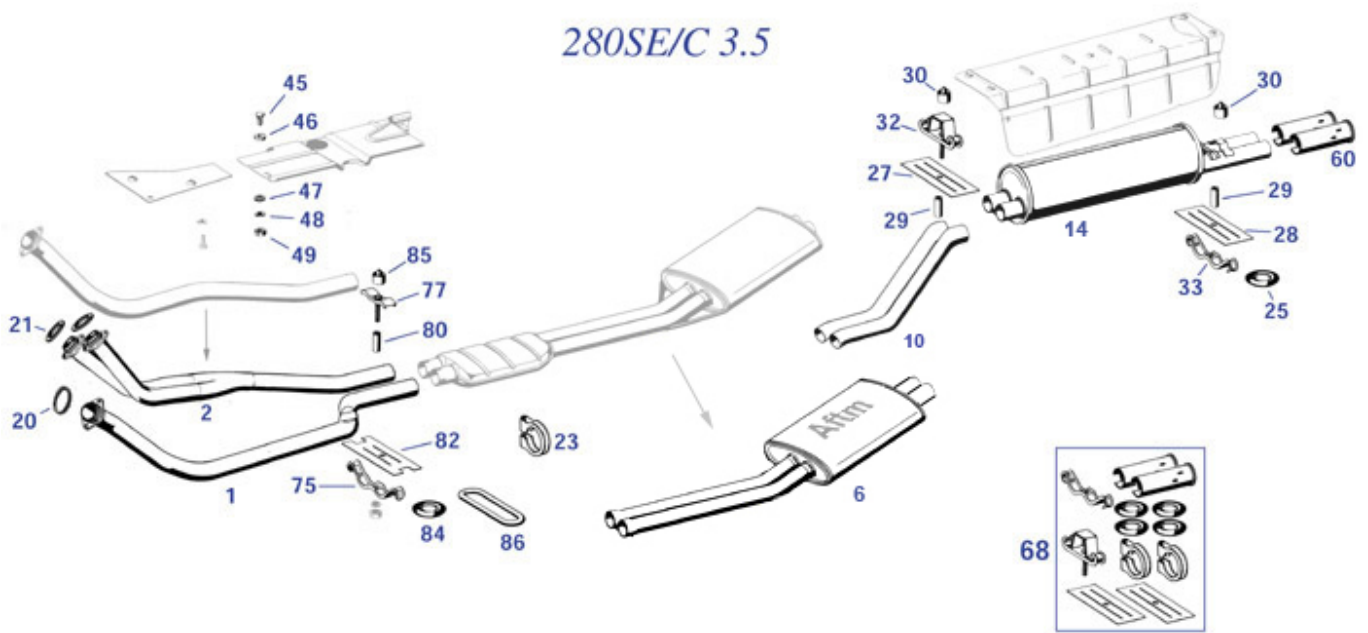
- Combination clamped components with those intended for welding
- Conversion of front or middle tubes to other ground platform (convertible) for adaptation
- Conversion of SE front tubes for adaptation to carburetor models.

	A1084920330 heat cover plate 111/108 rear	849085	N/A		exhaust repair paste	749595	€ 10,67
	Gasket Intake/Exhaust M127-130, ELRING	249990	€ 14,54	1	A1114904020 Frontpipe orig. 280SE Cab.	349007	N/A
1	A1084903020	849001	N/A	1	Frontpipe 250-280SE cpe. LHD	349009	€ 305,00
1	A1084902920 Frontpipe 250-280SE cpe. RH	349004	N/A	2	A1084900521 Mid sil.250/280SE/SEC 2-pip	849910	N/A
2	Mid sil.250/280SE/SEC 2-pipe	849010	€ 232,05	2	Mid sil.250/280SE/SEC 2-pipe	849810	€ 133,52
3	Conn.pipe 250SE-300SEL	849020	€ 29,00	4	Endtopf 6-Zyl.: 108-109, 111 sp. Aftm.	849830	€ 209,00
4	N/A rear muffler 6-cyl.,doublepipe, Eberspächer,	849030	N/A	4	A1124913401 rr sil. 6-cyl 108/109,111 C	849930	N/A
15	Sealing ring, exhaust manif.	249060	€ 2,37	16	Exhaust clamp, 51mm	149017	€ 3,96
21	inner diameter 30, rubberstring 15	249019	€ 1,90	25	Insulating plate	249015	€ 8,62
26	A0004920053 Tube, exhaust hanger	849019	N/A	26	Spacer sleeve (e.g. exhaust bracket)	849819	€ 3,76
28	A1094900143 Hanger, frt-end of rr.silen	849015	N/A	28	Hanger, rear muffler frt end 108-111 V8, W116	349013	€ 15,95
29	Bracket, rear muffler rear 250/280SE/C	349019	N/A	30	Rubber buffer, exhaust	798747	€ 0,92
30	Rubber buffer, floor/exhaust, others...	249818	€ 4,68	45	Clamping Bolt M6 for square bodypanel holes	188036	€ 8,45
46	Rubber ring, wiper motor	282407	€ 0,77	47	Washer 6.4 large, yellow zined	299276	€ 0,18
48	Spring washer M6	142158	€ 0,15	49	Hex nut M6, yellow zinc.	181023	€ 0,18
60	Tail pipe, chrome	249733	€ 22,85	60			

49b Exhaust 280SE/C 3.5

49b Exhaust 280SE/C 3.5

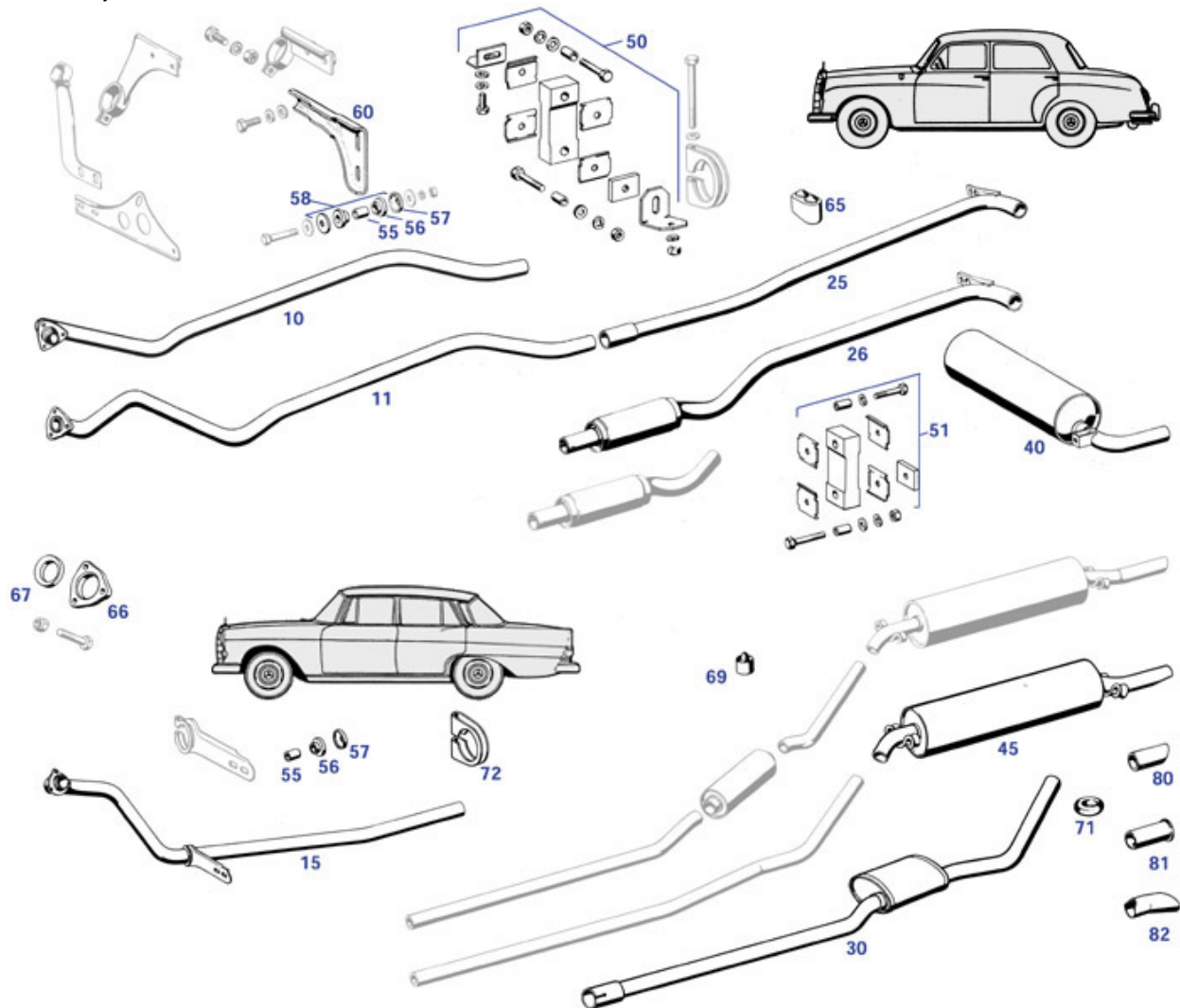
280SE/C 3.5



	Tail pipe, chrome	249733	€ 22,85		ctre silencer W108-9 SEL / 3.5 / 4.5, Repro	849112	€ 389,00
	Exhaust system 280SE/SEC 3.5 LHD orig.	849501	N/A		A1094910401 rr sil. 8-cyl 108/109,111 C	849031	N/A
	exhaust repair paste	749595	€ 10,67		A1114920143 see 749853	749053	N/A
	N915035000008	749069	N/A	1	A1094900419 Frt pipe 3.5 LH,LHD,108/9,1	849007	N/A
1	Frt pipe 3.5 LH,LHD,108/9,111Cpe, Repro	849807	€ 120,49	2	Frt pipe 3.5 RH,LHD,108/9,111Cpe, Repro	849808	€ 160,00
2	A1094900020 Frt pipe 3.5 RH,LHD,108/9,1	849008	N/A	6	ctre silencer W111, 280SE/SEC 3.5	349120	€ 269,99
6	A1114902321 Mid sil.V8: 108SE,111 Cpe o	849011	N/A	10	Conn.pipe V8 108/109,111 Cpe, repro	849821	€ 124,95
10	A1094920604 Conn.pipe V8 108/109,111 Cp	849021	N/A	14	Rear silencer 8 Cyl: 108-109, C111 3.5, Repro	849131	€ 333,20
20	Manif.ring 350/350SL/C ->11.78	749066	€ 1,63	21	Sealing ring, exhaust manif.	249060	€ 2,37
21	gasket ring, 45 / 53,5	749060	€ 2,50	23	Exhaust clamp, 51mm	149017	€ 3,96
23	Exh.clamp 53.5mm, ->03.80	749057	€ 6,25	25	inner diameter 30, rubberstring 15	249019	€ 1,90
27	A0004921083 Isolator,hanger, middle 3.5	349015	N/A	28	A0004921183 Insulation, exhaust bkt., r	749073	N/A
29	A0004920053 Tube, exhaust hanger	849019	N/A	30	Rubber buffer, floor/exhast, others...	249818	€ 4,68
30	Rubber buffer, exhaust	798747	€ 0,92	32	Hanger, rear muffler frt end 108-111 V8, W116	349013	€ 15,95
33	A0004920843 Hanger, end box, rear, C111	349014	N/A	33	see 749854 hanger	749054	N/A
45	Clamping Bolt M6 for square bodypanel holes	188036	€ 8,45	46	Rubber ring, wiper motor	282407	€ 0,77
47	see 299276	799092	N/A	48	Spring washer M6	142158	€ 0,15
49	Hex nut M6, yellow zinc.	181023	€ 0,18	60	Tail pipe, chrome, Premium quality	249033	€ 31,57
68	Fittings, exhaust, 250/280SE/C rear	349012	N/A	75	Double hanger bracket. SLC, C111..	749854	€ 16,24
75	A1094920343 hanger support	849049	N/A	75	exhaust hanger, fits 107 rear up to FN, 111FN	749853	€ 9,64
77	Exhaust Bracket R/C107, W111 Coupe.3.5 A1094900	749046	€ 9,22	77	A1114900043 "Hanger,"T",exhaust,middle,	349046	N/A
81	A1084920330 heat cover plate 111/108 rear	849085	N/A	82	A0004921683 Insul., exh. bkt.,SLC to 09	749052	N/A
85	A1099870239 Rubber buffer	349028	N/A	86	Rubber exhaust hanger, long = SLC center	749038	€ 4,70

49c Exhaust, 4-cyl. 1955-1967

49c Exhaust, 4-cyl. 1955-1967

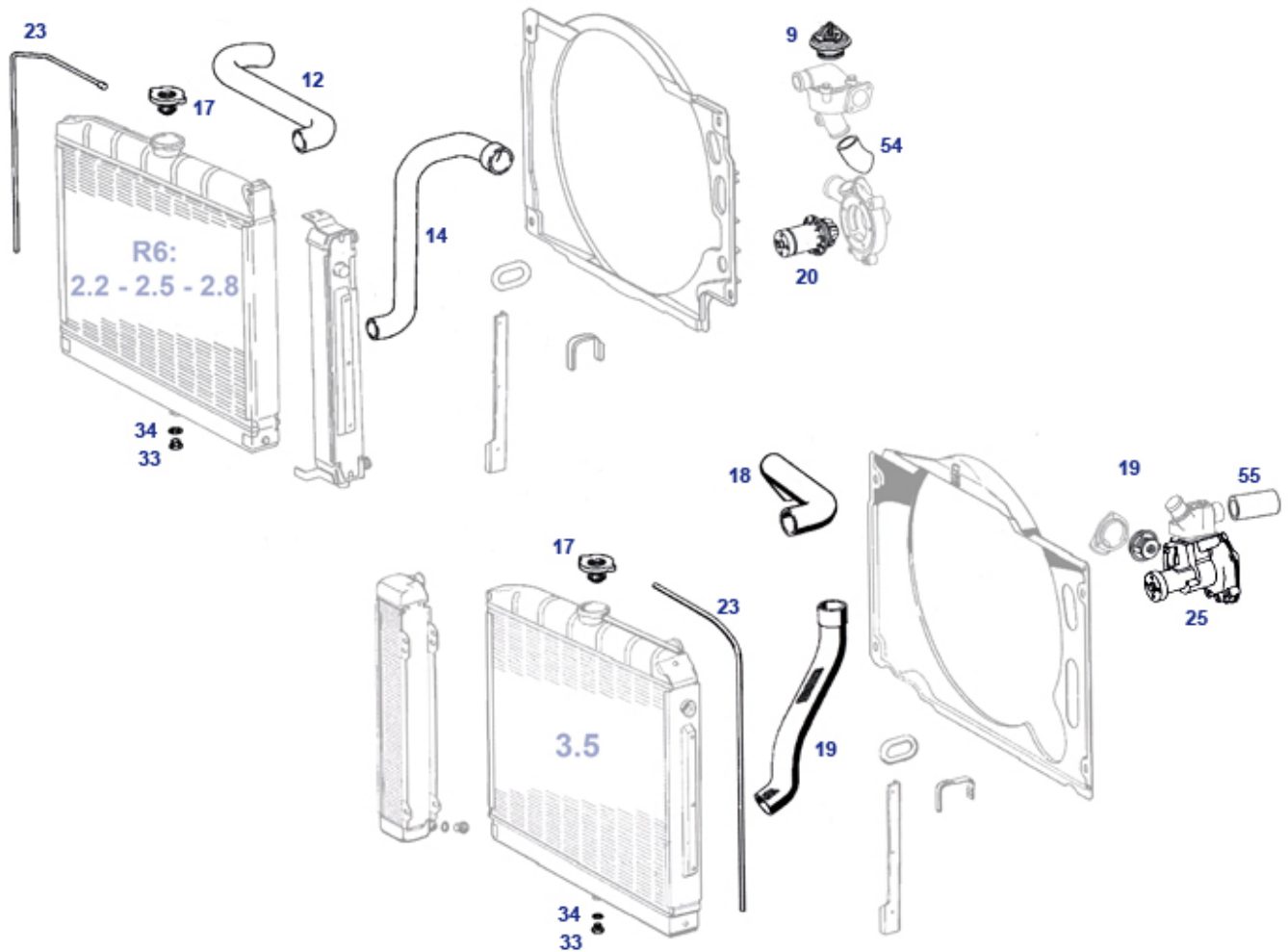


	Pipe shaped chrome muffler chrome deco	549033	N/A		Rest: Rear Silencer e.g. 190c (W110), Repro	349133	€ 169,93
	exhaust repair paste	749595	€ 10,67		Rear Silencer W110 Diesel, 190Dc/200D, Repro	349132	€ 242,76
	Rubber hanger, exhaust 190SL, pontoon	149048	€ 5,65	10	Front pipe 180d,180Db/Dc early	449012	€ 120,19
10	Front pipe 180,180Db/Dc late , 190D,...	449010	€ 120,19	11	Front pipe 180a,b,c, 190, 190b	449011	€ 120,19
11	Exhaust pipe front 180a,b,c,190,b	449015	€ 120,19	15	Frontpipe 190c (W110) LHD	349002	€ 129,31
15	A1104902120 Frontpipe	349003	N/A	25	"Exhaust pipe, "pontoon" without box"	449019	€ 77,35
26	190Dc/200D LHD			30	A1104901221 Centre box	349025	N/A
	Pipe with middle box	449034	N/A	40	200-250S (inc. p		
40	Rear silencer, aftrm.zn/al-plated	149030	€ 174,00	40	"Box, rear, "pontoon" 4 cyl."	449030	€ 177,31
45	Rear silencer W110, 190 (replcemt), 200-230, Repr	349029	€ 298,00	45	A1104913201 End box, W110, 190Dc/200D o	349032	N/A
45	A1104913101 End box, 190c orig.	349033	N/A	51	Hanger kit, exhaust rear	149040	€ 23,06
55	A1084920253 Metal tube at exh. bracket	114003	N/A	56	Rubber shim at exh. bracket	114002	€ 3,83
57	Retainer at exh. bracket	114001	€ 6,55	60	Exhaust support bracket, late LHD	114016	€ 59,63
65	Rubber bumper at floor	149035	€ 23,57	66	Flange 180er, 190,b,Db,D	449050	€ 8,69
67	A1214920281 Flange gasket 180, 220SEb/C	449053	N/A	71	inner diameter 30, rubberstring 15	249019	€ 1,90
72	HD clamp 45mm 3D-shape zincd steel	249017	€ 6,60	72	Exhaust clamp, 48mm	749056	€ 3,75
72	Exhaust clamp, 51mm	149017	€ 3,96	80	Tail pipe trim, chrome plated	449060	N/A

80	A0004920614 Tail pipe trim, chrome plat	449061	N/A	81	Tail pipe, chrome, 180-200D	349060	€ 13,71
81	Tail pipe,endbox,200/230/230S, W123	349034	N/A	81	Tail pipe, chrome, Premium quality	249033	€ 31,57
81	A1214920014 A1214920014 Chrome tailpipe	149060	N/A	82	A1114920314 Tailpipe,chromecover,220-30	349035	N/A

50 Cooling System

50.c Radiator hoses from 220 up to 3.5

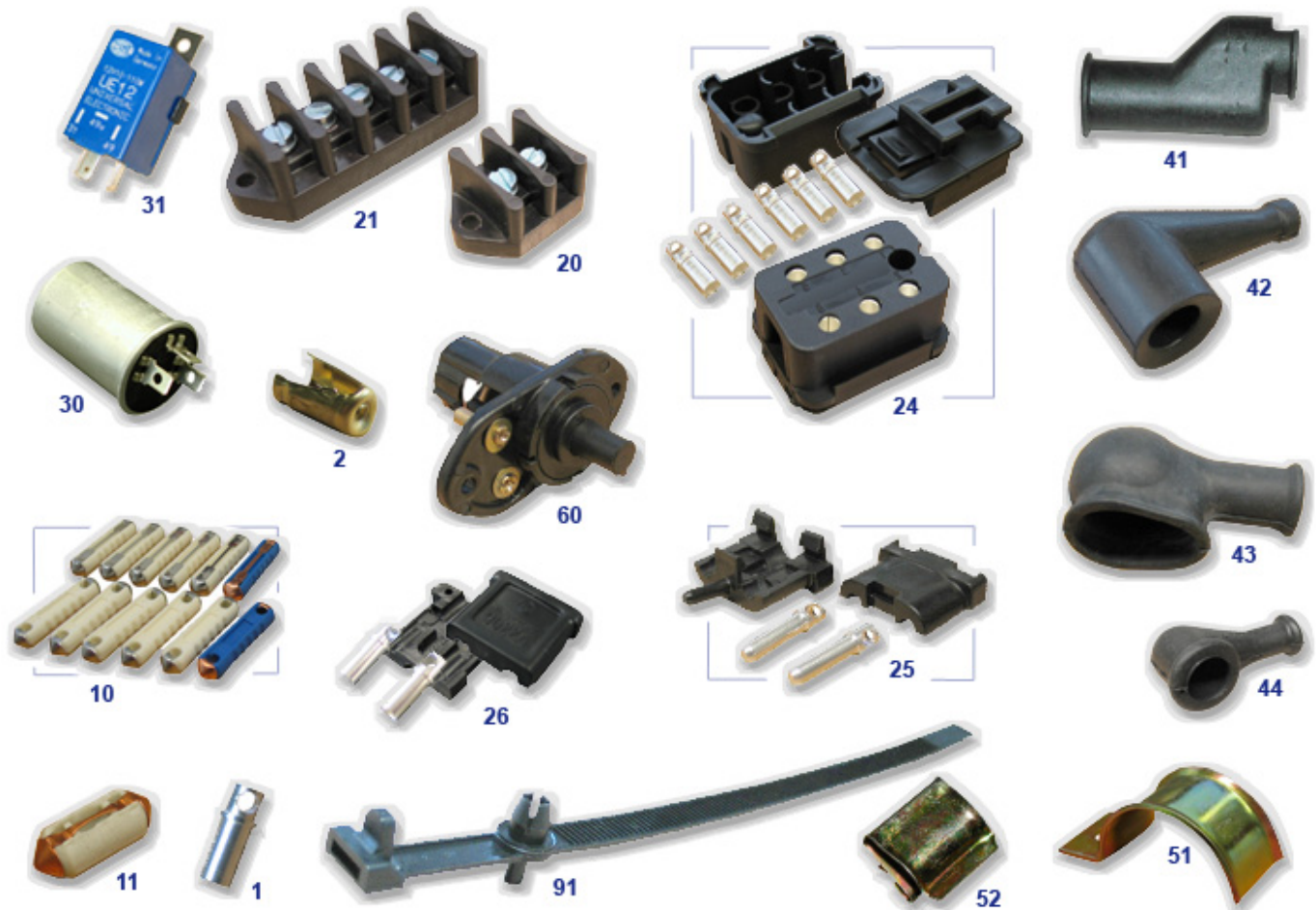


	water pump for engine 114/115/180/127, maintance f	420820	€ 41,95		Rubbergrommet, heat.return Rt. or drain 108boot	799003	€ 13,01
	Visco fan coupling, M129,130E,110, Meyle	220030	€ 93,19		Visco fan coupling, M129,130E,110, FEBI	220530	€ 117,99
	Visco fan coupling, M129,130E,110, DASIS	220630	€ 85,50		Water hose rad.lower, 280S/SE/SEL...	850013	€ 8,50
	see 720020	720920	N/A		Oil cooler, 280SL FN, Alu Repro	250811	€ 303,45
	fan blade 9 wings, plastic	520308	€ 26,55		Fan shroud W111 late	350215	N/A
1	we would be happy to advice you, radiator W111, by	350001	N/A	9	Thermostat cartridge/gkt. 79°	220008	€ 19,58
12	Water rose, rad upper, 6-Cyl, FN	850015	€ 6,21	12	Water hose upper 110/111	350012	€ 8,19
12	Rad.-hose upper, 250S/SE	850012	€ 25,59	12	Water hose w. bellow	450006	€ 64,36
12	Rad.-hose upper, 280S/SE from VIN	350022	€ 6,01	14	Rad.-hose lower, 111-2.5 from FG	350013	€ 35,70
14	Water hose lower, 111/108 div	850014	€ 7,53	14	Water hose, rad. 280SE/111 early, lower	350014	€ 11,44
14	A1145011082	350015	N/A	14	A1115010482	350018	N/A
17	Radiator cap ref A 123 501 0215 char-id 110	550016	€ 5,36	17	Radiator cap ref A 123 501 0215 char-id 120	750016	€ 4,41
17	+110+111 up to 1967	150017	€ 29,75	18	Upper hose 3.5	850018	€ 8,54
19	Rad.hose 3.5-Cpe lower	350019	€ 28,56	19	thermostat 350-500SL/SLC, 75°C+o-ring	720009	€ 12,64
23	1m radiator overflow hose	350023	€ 6,13	25	Water pump 3.5/4.5, FEBI	720020	€ 79,49
33	A0005010065 Drain valve @ radiator lowe	150018	€ 190,00	33	Drain plug screw M14 x 1,5 (rad. / eng,..)	250027	€ 2,70
34	Copper seal ring	207115	€ 0,18	36	Seal ring, sump plug	299303	€ 0,13
40	A1161800065	850004	N/A	63	A1085050106	350063	N/A

110 A1105020030 [350050](#) N/A 111 A1085000012 [850111](#) € 68,75

54c Electric, universal small parts at wiring

54c Electric, universal small parts at wiring



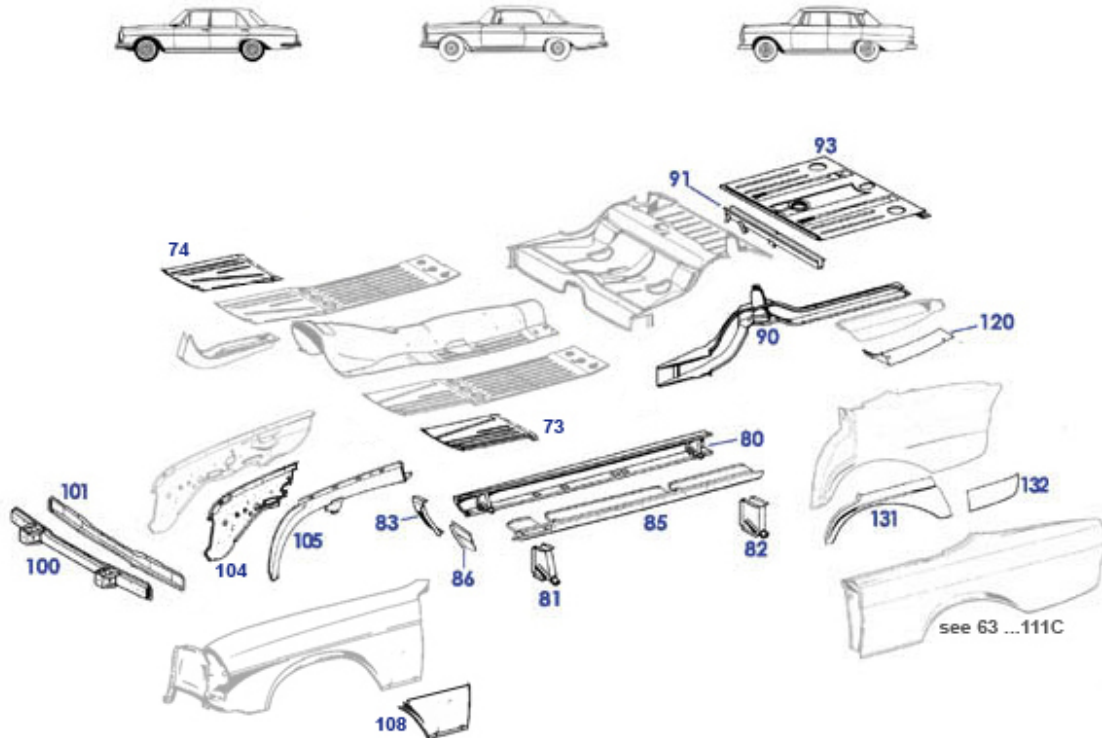
plastic locking insert, upper 124 headlamp mount	582091	€ 2,40	2-pole housing (plastic base & cap), no metal bush	254182	€ 7,97
Screw for cable connections MS M6 X 8	754965	€ 0,59	Screw for cable connections MS M5 X 8	754964	€ 0,37
Screw for cable connections MS M4 X 8	754963	€ 0,27	Ballast Resistor 1,8 Ohm, Reproduction	254708	€ 24,37
Ballast Resistor 0,9 Ohm, Reproduction	254766	€ 24,37	Ballast Resistor 0,6 Ohm, Reproduction	254767	€ 26,45
battery terminal screw M8 X28	554010	€ 0,77	Ballast Resistor 0,4 Ohm, Reproduction	254768	€ 28,54
Ballast Resistor 0,2 Ohm, Reproduction	754868	€ 31,66	Plug socket 12V/16A, Bosch, universal	554067	N/A
Plastic nut, milled, cockpit W108, Lamps 123	854197	€ 0,71	8-pole housing (plastic base & cap), no metal bush	254181	€ 8,69
A1119900257 Milled nut, rear lamp assem	282155	N/A	Milled M5 nut, plastic, white	282655	€ 7,04
Milled M5 nut, plastic w insert	282855	€ 3,30	Milled plastic nut, rr lamp 108/111	382855	€ 3,34
no good replacement: see 382855	782755	N/A	4-pole housing (plastic base & cap), no metal bush	254883	€ 8,09
W108/111			Screw 4.2 e.g. at 298043	299278	€ 0,38
6-pole housing (plastic base & cap), no metal bush	254180	€ 8,45	Power Antenna, kit with different grommets	599975	€ 52,38
Antenna, manual	599974	€ 13,52	Lambda sond e.g. M102 @ manifold	554219	€ 148,85
Ground strap, bonnet 107, 111, 108	754888	€ 29,37	Benzinpumpen Relais	954047	€ 101,15
A1164200685 Brake cable W116 SEL fr.	642101	N/A	pigtail harness fits emergency switch 982034	982835	€ 19,39
1m FLY cable 1.5mm? black/green	782974	€ 0,65	Turn signal transmitter (metal),	182001	€ 67,29
High-P-Relay 70Amp, modern	854095	N/A			

design, A0005429719			Bosch		
Grommet, rubber, 2 piece ../25mm	399011	€ 3,61	Tachowelle	856429	€ 26,00
Rubber cap inner side 15mm	215015	€ 1,46	Tachoscheibe z.B. 220SEb/C 210	354094	N/A
see 754868	754068	N/A	km/h		
Fernthermometer 111Cpe.	354116	N/A	Tail harness 220 SEb Cabriolet	354240	€ 499,99
°Fahrenheit			RHD		
Brass disc 6mm	754968	€ 0,21	1m FLY cable 1.5mm? white/red,	782975	€ 0,65
several petrol vehicles (no Diesel),	246890	€ 89,25	1m FLY cable 1.5mm? grey	782973	€ 0,65
fits banjo st			1m FLY cable 1.5mm? white,	782972	€ 0,65
1m FLY cable 1.5mm? yellow	782971	€ 0,65	1m FLY cable 1.5mm? brown,	782970	€ 0,65
Fuel Sender W123 A1235420404	547735	€ 229,90	Brass disc 5mm	754967	€ 0,16
Brass disc 4mm	754966	€ 0,05	see 282821 or 282031	282021	N/A
Speedo shaft 1300mm, 109 542	854107	€ 15,60	Flex shaft speedo W108/9	854105	€ 32,51
0007 -Repr			8-Cyl-4-speed		
cable / loom tie 190mm	854088	€ 2,51	ground strap 40cm, eyes 8 + 6mm,	354246	€ 39,50
1 El. Pin 2,5mm	954154	€ 0,45	w.prot hose		
1 El. Pin 2,5mm	954156	€ 0,40	female contact 2,5mm	954153	€ 0,48
1 contact bushing 4mm brass, silver	254855	€ 1,40	metal pin f. el. connectors	754054	€ 0,77
plated			flat crimp shoe, with nose, female,	754055	€ 0,65
1 Sold on sleeve 4mm	254055	€ 2,69	... 2,5mm²		
2 N/A solder-on connector. replace	215999	N/A	1 contact pin 4mm brass silver plated	754956	€ 0,54
with 515999			2 Wire bushing with treaded pin	515999	€ 2,37
11 25Amp fuse, short version, NOS	258991	€ 5,69	20 authentic Repro similar Kostal	154052	€ 44,85
21 5-pole block terminal	154054	€ 55,16	Bakelite 20490		
25 Set 2-pole-connector (m), narrow	754158	€ 10,92	24 as long as stock lasts! el. connector	254984	€ 27,67
style			(fem) 6-pol		
25 part of housg, el. conn.	954945	€ 2,20	25 N/A ! 2-pole-connector (m), hsg	754157	N/A
25 2-pole-connector, set, (m)	954158	€ 8,93	w.pos-nose		
26 Set 2-pole-connector (fem)	954157	€ 7,74	25 part of housg. 2-pole male	254087	€ 5,12
30 Rubbermount, relais	254295	€ 5,25	connector		
30 Relay, start-/ operation current,	254095	€ 67,84	26 ignition distributor repair kit	907124	€ 19,59
Repro			26 el. coupling 2-pole, e.g. injectors	907126	€ 3,53
30 Upgr. hazzard flasher Hella with	982834	€ 183,25	30 n/a: switch, see 982034 instead	982036	N/A
wiring			30 NLA: Turn signal transmitter	182701	N/A
31 12V / 25A Bistable/FlipFlop, 56-S,	982345	€ 62,00	(metal), Lucas		
56-56a/56b			31 Pulse generator, flat connectors,	154018	€ 40,10
31 switch, stroke timer,6 flat poles, fits	982034	€ 157,15	plastic housg, H		
982035			31 Application examples: Fuel pump	754329	€ 17,85
31 Flasher relay, see pict, pin position	254060	€ 39,91	relay W107 early (
changed			31 Relay, idle contr., fuel-pump, 7-pin,	754305	€ 73,13
42 Rubber Boot on to Thermoswitch	254125	€ 9,39	380US '83->		
43 Rubber cap, starter wire, small	754026	€ 6,14	41 Cap, starter terminal	154056	€ 5,71
44 Rubber dust boot (at Gen. .)	254051	€ 3,25	43 Rubber cap, ECU-unit connector	854359	€ 69,91
51 clamp, ca. 25mm, wires	199023	€ 7,74	43 Rubber Boot on Starter Motor and	254126	€ 7,16
51 Bracket,ign wires,plastic	215023	€ 1,49	Alternator		
51 large clamp, wire harness firewall,	854168	€ 9,10	44 Grommet for Fuel Pump Wiring	299018	€ 2,53
ref A198995003			51 Clamp, e.g. oil-pipe, wires	199025	€ 4,59
51 Clamp, wiring near A-pillar (inn-	254168	€ 8,20	51 Clamp,pipe,under body,rear	247053	€ 7,69
wdth 3			51 Clamp, e.g. wiring, inner width	254069	€ 5,65
60 Door switch round pin connectors	282721	€ 60,75	15mm		
60 Trunk(boot) light and switch '59-'85	282022	€ 40,58	52 Clip, cable	254073	€ 1,09
91 wire strap with rivet plug, short	554087	€ 1,26	60 el. contact switch, door 129, 170,	982021	€ 4,50
(120mm)			124, ...		
91 wire strap with rivet plug, 160mm	854087	€ 1,30	91 wire strap, ref as 001 997 4390	754179	€ 0,65
99 Plug socket 12V/16A, universal,	554867	€ 8,83	91 Hose strap, replaces hose clamp	250099	€ 0,55
non-MB, non-Boschl			99 1-2-3 distributor 6-cyl ->'62	415801	€ 355,00
99 Knob, Design 1968, M5, fits Cigar	254843	€ 45,99	99 Flex shaft speedo W108 Autm late	854106	€ 38,68
lighters M5			99 Fuse Box e.g. 220/220S Pontoon	454220	€ 594,88

58 Tools for classic MB veh., non universal

Safety wedge f.tyre service	258110	€ 286,20	Werkzeultasche Cotton-Canvas 30x15x15	999925	N/A
Tool for special nut rr axle shafts	258750	€ 130,90	threaded brake line fitting "F"	942994	€ 0,51
label: tire pressure W109	899951	N/A	Tool: support arm joint mover 129, 124, ...	958350	€ 124,95
NI Fuel canister, 7 ltr.,orig	259050	N/A	Mountg.bolt f.tyre service, genuine	259109	N/A
Wheel nut wrench, orig, latest version	259101	€ 23,50	Battery main switch	954088	€ 26,00
1 pce Wing prot.cover, cotton, magnet	999922	€ 37,00	Staubfrei Handfeger Cotton, 35cm	999915	€ 49,99
professional battery charger 10A	954090	€ 267,75	Accu-Refresher CTEK 7Amps, charge+maint	954087	N/A
Accu-Refresher controlled charge	954085	N/A	1 pair of tire protection underlay pads	940900	€ 52,00
Tool bag without tools	258106	N/A	Set 3 pcs tools, fitting MB grooved nut	258260	€ 327,25
Fuse 16 A long	958094	€ 0,89	Fuse 5 A long	958093	€ 0,89
Fuse 25 A long	958092	€ 0,60	Fuse 5 A long	958091	€ 0,77
Tire pressure tester	958400	€ 19,00	25Amp fuse, short version, NOS	258991	€ 5,69
Tool bag without tools	258806	€ 48,79	Tool, frt. strut joint mount	258352	N/A
Alignment bolt, steering centering	258460	€ 55,54	Tool, frt. strut joint mount	258353	€ 74,99
Tool, wiper link shaft greasing	258826	€ 65,45	Tool, frt. strut joint mount	258351	€ 69,02
Mounting aid clutch alignment	258250	€ 94,00	Tool for special nut rr axle shafts	258350	€ 61,49

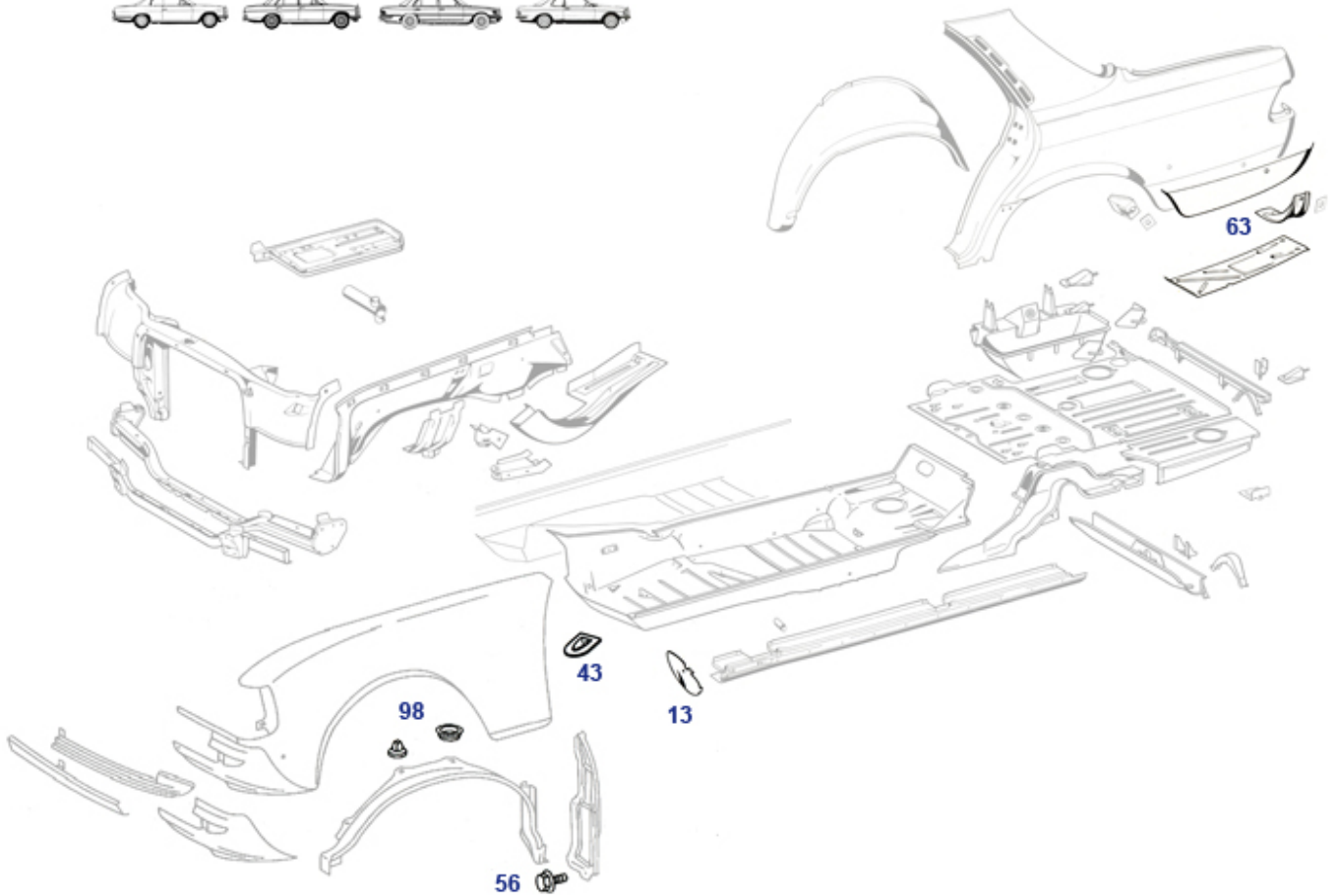
61.b Floors and Rep-Panels 1959-1972 "Platform 110"



	Reinf.-Firewall lower section Cab. RH	361829	N/A		Reinf.-Firewall lower section Cab. LH	361819	N/A
	Crossmember @ rear seat floor 111Cpe, repro, 1,2mm	361385	N/A		A1106370236 Blanking plate W110-2 side	363028	€ 17,85
	A1106370136 Blanking plate W110-2 side	363018	€ 17,85		A1106110640 Blanking plate W108/W109 si	861060	N/A
70	A1106160367 check 361830 instead	361030	N/A	70	A1086160167 check 361830 instead	861010	N/A
71	A1106160867, check 361840 instead	861020	N/A	71	A1106160467 check 361840 instead	361040	N/A
73	rep.-panel, simple quality	361830	€ 90,44	74	rep.-panel, simple quality	361840	€ 90,44
80	Side rail, Cab.,inner left	361010	€ 410,00	80	A1106100409 Side rail 190-300SE in.Rt.	361025	N/A
80	A1106100309 Side rail 190-300SE in.Lt.	361015	N/A	80	Side rail, Cab., RH, inner	361020	€ 410,00
81	Jacking point W/C108-112 fr.	861015	N/A	82	Jacking point W/C108-112 rr.	861017	N/A
83	Cap, inner rail front end, LH, W110-model	361013	€ 27,89	83	Cap, inner rail front end, RH, W110-model	361023	€ 27,89
86	A1116375136 Blanking plate C111 side ra	363012	N/A	86	A1116375236 Blanking plate C111 side ra	363022	N/A
86	Front end cap, outer rail LH, W108/9	863018	€ 24,99	86	Front end cap, outer rail RH, W108/9	863028	€ 24,99
90	A1106101510 Side rail W/C108,110,111, L	361090	€ 799,00	91	Crossmember w.tank-supp,no exh-support	361110	€ 125,00
93	A1106160162 Boot floor main panel 108-1	861000	€ 599,99	93	Cover above fuel sender, plastic,black	347014	€ 7,79
93	round cover above fuel sender,Repro	247814	€ 5,20	100	Frt-member frt shell, W110+111 up to FN	362020	€ 339,15
100	front shell front cross member late	862020	€ 365,33	101	Rear shell, front cross member late	862030	€ 159,00
101	Frt-member rr shell W110/111 up to FN	362030	€ 155,91	104	Rep-sect. inner wing frt LH W110	362141	€ 234,58
104	Rep-sect. inner wing frt LH W110	362131	€ 234,58	105	Patch, inner wing support W110, front right	362123	€ 79,99
105	Rep.-patch lower front rail in wheel arch 111 RH	362121	€ 39,27	105	Rep.-patch lower front rail in wheel arch 111 LH	362111	€ 39,27

105	Inner wing support, W111-4-door, fr.Rt.	362122	€ 110,31	105	A1086200185 Inner wing support W108 Lt.	862110	N/A
105	A1086200285 Inner wing support W108 Rt.	862120	N/A	105	Patch, inner wing support W110, front left	362113	€ 79,99
105	Inner wing support, W111-4-door, fr.Lt.	362112	€ 110,31	105	A1116205185 Inner wing support C111, Lt	362110	N/A
105	A1116205685 Inner wing support C111, Rt	362120	N/A	108	Rep.-panel frt wing LH, rear section, W108+9	888013	€ 53,55
108	Rep.-panel frt wing RH, rear section, W108+9	888023	€ 53,55	120	Bottom, spare tyre wel, left	363050	€ 84,00
120	Floor panel, s.tyre wl.108/9 Rt.	861070	€ 125,25	120	Floor section, spare tyre well 108 (trunk RH)	861080	€ 98,59
120	Grommet 4/20mm, 1 hole, drain	399009	€ 1,71	120	Panel, trunk to rail rr.LH	361050	€ 75,26
120	Stiffening RH, trunk floor to panel and bumper 108	861081	€ 46,41	120	Bottom, spare tyre well, right	363060	€ 92,65
120	Stiffening LH, trunk floor to panel and bumper 108	861071	€ 46,41	131	wheel housing repair panel rear left	363875	€ 117,20
131	Patch panel outer wheelarch RH W108 rea	863083	€ 95,97	131	Patch panel W110-112 rear Rt.	363086	€ 73,54
131	Patch panel outer wheel arch 108 LH	863073	€ 95,97	131	Patch panel W110-112 rear Lt.	363076	€ 71,69
131	wheel housing repair panel rear right	363885	€ 117,20	132	Patch, rear wing lower ends RH, 110/112 4-door	363079	€ 40,46

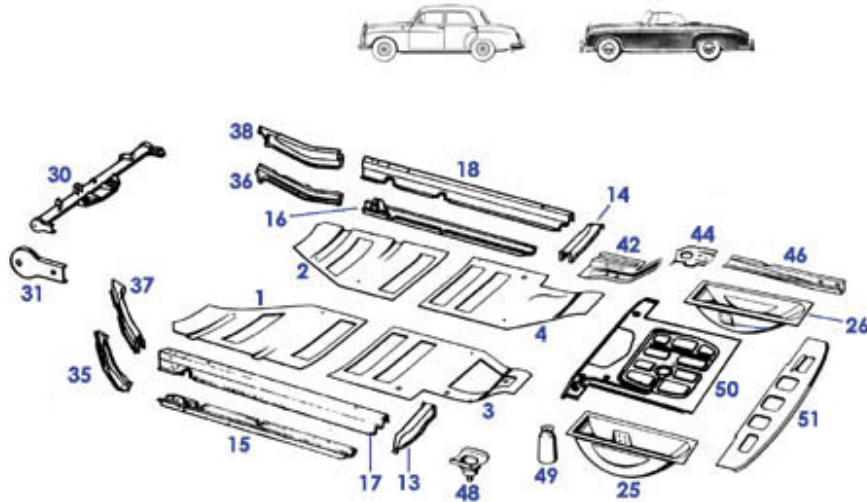
61.c Floors- and Body Rep.-Panelling Types from Platform 114



	Kombi-Blechschaube	999926	N/A		A1156160836	561280	N/A
	A1156160736	561250	N/A		A1156100536	561260	N/A
	A1156160320	561032	N/A		A1156100636	561270	N/A
	A1156160936	561290	N/A		A1156161414	561115	N/A
13	cap, rail front end RH, W114/W115	563028	€ 20,23	13	cap, rail front end LH, W114/W115	563018	€ 20,23
43	pan, brake wire support at floor, 114/115	561035	€ 19,04	63	stiffening floor to side panel W116/W123	563023	€ 71,40
98	Plug rivet for square hole eg, lower rad.cover	788991	€ 1,32	561000	A1156180561	561070	N/A
561000	A1156180761	561000	N/A	561010	A1156161067	561020	N/A
561010	Rep.-Bodenblech 200-280CE, li.	561011	€ 77,35	561010	Rep.-Bodenblech vo. 200-280CE links	561012	€ 62,48
561010	A1156160967	561010	N/A	561010	Rep.-Bodenblech 200-280CE, re.	561021	€ 77,35
561010	Rep.-Bodenblech vo. 200-280CE rechts	561022	€ 62,48	561013	Rep.-Bodenblech hi. 200-280CE links	561013	N/A
561013	Rep.-Bodenblech hi. 200-280CE rechts	561023	N/A	561015	A1156370131	561015	N/A
561015	A1156370231	561016	N/A	561015	A1156370331	561017	N/A
561015	A1156370431	561018	N/A	561016	Rep.-Längsträger außen links	563016	€ 101,15
561016	Rep.-Längsträger außen rechts	563026	€ 101,15	561050	-NL- Tunnelverstärkung Kardanlager	561050	N/A
561050	-NL- Steg an Bodenblech re.	561065	N/A	561050	-NL- Steg am Bodenblech re.	561055	N/A
561093	Rep-section inner rail rear LH W123	561093	€ 35,43	561093	Rep-section rail RH	561102	N/A
561093	Rep-section rail LH	561092	N/A	561093	Rep-section inner rail rear LH W123	561103	€ 35,43
561110	A1156100604	561110	N/A	561112	-NL- Tankhalter vorn	561112	N/A
561113	A1156120714	561113	N/A	561300	A1156100475	561300	N/A
562020	A1146200186	562020	N/A	562035	A1146200386	562035	N/A
562135	Stoßdämpferkonsole vo. links	562135	N/A	562140	A1156260475	562140	N/A
562140	A1146260275	562141	N/A	563051	Patch panel wheel house RH W115	563061	€ 35,76
563051	Patch panel wheel house LH W115	563051	€ 35,76	563073	Dec. strip set, whl. arch W114/115	564000	€ 133,52

563073	Patch panel outer wheelarch LH W115 rea	563083	N/A	563073	Patch panel outer wheelarch LH W115 rea	563073	N/A
564071	Patch panel rear wing section W115 LH	564071	N/A	564071	Patch panel rear wing section W115 RH	564081	N/A

61.a Floors1955-1962 "Platform Pontoon"

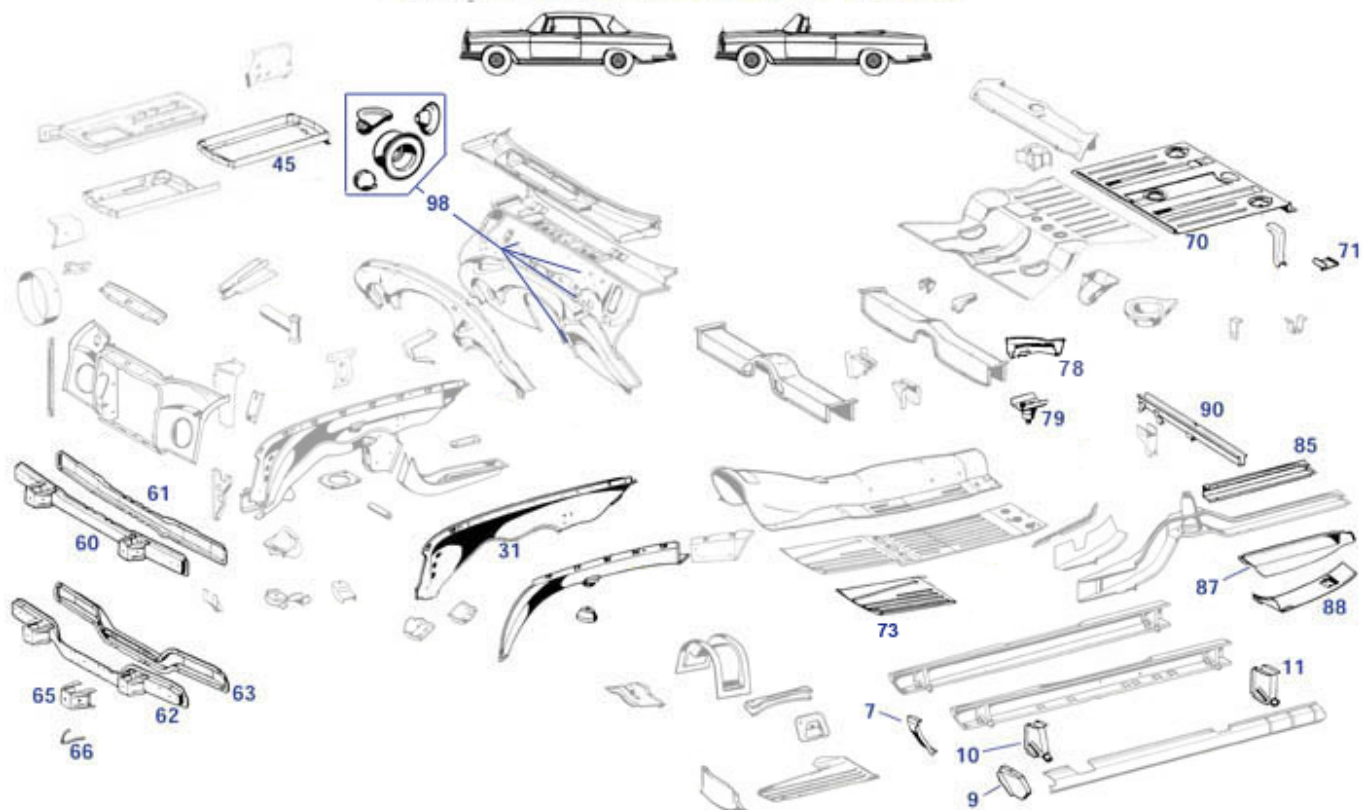


	--> see 161075	461075	N/A		Floor panel rear, left side	461046	€ 238,00
	Set rbr mats rocker panels, grey W120..	468585	€ 224,55		Falzblech Ponton, rechts unten	462080	€ 483,51
	threaded plate lower left side	462072	€ 34,12		Falzblech Ponton, links unten	462070	€ 483,51
	Versteifungsblech außen rechts	462060	N/A		Versteifungsblech außen links	462050	N/A
	Rep-Blech Radlauf Ponton vo.li.	462045	€ 296,86		Lufthutze vor Heizkanal rechts	462026	€ 342,83
	Lufthutze vor Heizkanal links	462025	€ 301,81		Stützblech unter dem Heckbl.innen	461215	€ 576,19
	--> see 161085	461085	N/A		Bodenblech Ponton, hinten re.	461056	€ 238,00
1	Floor panel front left W121 & Ponton A121616016	161011	€ 220,15	1	Floor panel, front, Lt.	161010	€ 139,13
2	Floor panel front right W121 & Ponton A12161602	161021	€ 220,15	2	Floor panel, front, Rt.	161020	€ 139,13
3	Floor panel, rear, left. Ponton	461045	€ 243,46	4	Floor panel, rear, Rt. pontoon	461055	€ 243,46
13	Support, jacking point, rr.Lt.	461360	N/A	14	Support, jacking point, rr.Rt.	461370	N/A
15	Längsträger Unterschale li.220S Cpe/Cab	461111	€ 781,83	15	Side rail lower shell 4-cyl. Lt.	461115	€ 159,00
15	Side rail lower shell. 6-cyl-pon,l.	461110	€ 398,46	16	Side rail lower shell 4-cyl. Rt.	461125	€ 159,08
16	Längsträger Unterschale re.220S Cpe/Cab	461121	€ 848,17	16	Side rail lower shell. 6-cyl-pon,r.	461120	€ 398,46
17	Side rail shell, upper left. 6-cyl	461175	€ 344,64	17	Längsträger Oberschale li. 220S Cpe/Cab	461171	€ 1.151,18
17	Side rail Lt. 4-cyl. sedan	461170	N/A	18	Side rail shell, up.Rt. 6-cyl	461185	€ 344,64
18	Side rail Rt. 4-cyl. sedan	461180	€ 244,56	18	Längsträger Oberschale re. 220S Cpe/Cab	461181	€ 1.151,18
25	Spare wheel well pontoon Lt.	461290	€ 613,78	26	Spare wheel well pontoon Rt.	461300	€ 613,78
30	Crosstube, 6-cyl.w.o.radiator support	461312	€ 528,60	30	Cross tube fr. 4-cyl. pontoon	461310	€ 507,30
31	see 161311	461315	€ 76,16	35	Rail cap, front. Lt.	161070	€ 175,00
36	Rail cap, front. Rt.	161080	€ 175,00	37	Side supp top Lt.	161075	€ 162,27
38	Side supp top Rt.	161085	€ 162,27	42	Forward 1/3 of item 161145 Lt.	161130	€ 219,50
42	Forward 1/3 of item 161155 Rt.	161140	€ 219,50	44	Center section of item 161155 Rt.	161136	€ 179,69
44	Center section of item 161145 Lt.	161135	€ 179,69	46	RR frame member RH, lower end section	161160	€ 209,04
46	RR frame member LH, lower end section	161150	€ 209,04	48	Support for rear axle strut	161210	€ 31,89
49	Cup for shock absorber mounting	161166	€ 260,90	50	Trunk floor, center section	161220	€ 369,41
51	Rear panel, boot	461230	€ 341,70	51	Cross member trunkfloor,w/o tank bracke	161400	€ 283,24

61/62 W111Cpe/Cab Front and Floor

61/62 W111Cpe/Cab Front and Floor

C111: 220SEb/250/280SE/SE3.5 Cpe/Cab

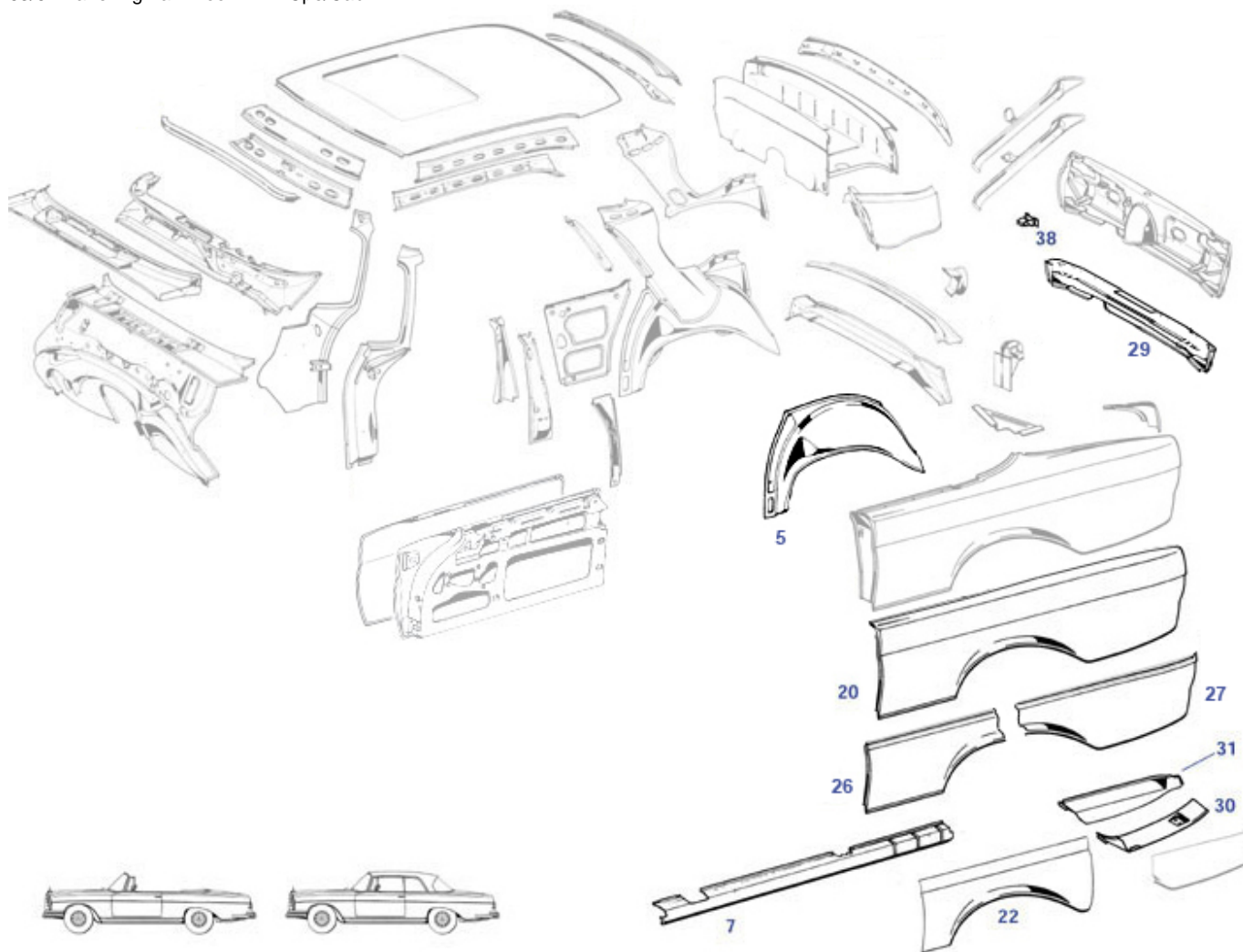


	Rep.-patch lower front rail in wheel arch 111 RH	362121	€ 39,27		A1116118511 Strengtheners, pedal well, c	361019	N/A
	Rep.-patch lower front rail in wheel arch 111 LH	362111	€ 39,27		Rep. Sheet metal front right between door and wheel	362181	N/A
	N/A ! Rep. Sheet metal front left between door and	362171	N/A		Rep section tail, panel W111 2-door	364105	€ 471,09
	A1116118611 Strengtheners, pedal well, c	361029	N/A	1	A1086160167 check 361830 instead	861010	N/A
1	A1106160867, check 361840 instead	861020	N/A	1	A1106160367 check 361830 instead	361030	N/A
1	A1106160467 check 361840 instead	361040	N/A	2	Side rail, Cab.,inner left	361010	€ 410,00
2	Side rail, Cab., RH, inner	361020	€ 410,00	3	A1106100409 Side rail 190-300SE in.Rt.	361025	N/A
3	A1106100309 Side rail 190-300SE in.Lt.	361015	N/A	4	A1116375135 Side rail C111-112 ot.Lt.	363010	€ 754,94
4	A1116375235 Side rail C111-112 ot.Rt.	363020	€ 754,94	7	Cap, inner rail front end, RH, W110-model	361023	€ 27,89
7	Cap, inner rail front end, LH, W110-model	361013	€ 27,89	9	A1116375136 Blanking plate C111 side ra	363012	N/A
9	A1116375236 Blanking plate C111 side ra	363022	N/A	10	Jacking point W/C108-112 fr.	861015	N/A
11	Jacking point W/C108-112 rr.	861017	N/A	15	A1106100813 Side rail end piece, rt.	361380	N/A
25	Reinf.-Firewall lower section Cab. LH	361819	N/A	25	Reinf.-Firewall lower section Cab. RH	361829	N/A
26	A1116118211 Strengtheners, floor, cab. r	361045	N/A	26	A1116118111 Strengtheners, floor, cab. l	361035	N/A
30	A1116207461 Inner wing + box section, r	362080	N/A	30	A1116208961 Inner wing + box section, l	362090	N/A
31	A1116209461 Inner wing, front rt., C111	362140	N/A	31	Innerwing, front left C111,w/o box sect.	362130	N/A
33	A1116205685 Inner wing support	362120	N/A	33	A1116205185 Inner wing support	362110	N/A

35	C111, Rt Plate, shocker bracket,upper, ref.-No. A1803260267	232040	€ 16,60	37	C111, Lt A1114600038 Spigot with bush	246065	N/A
37	A1114602638 NA- spigot, steering lever	346065	N/A	39	steel tube, steering gear mount @ frame	262131	€ 14,22
40	NA- bracket suspension support, rt.	362320	N/A	40	NA- bracket suspension support, lt.	362310	N/A
42	A1116205214 Bracket, brakes, shell, C11	362342	N/A	43	A1116261514 Bracket, brake hose, Lt.	262135	N/A
43	A1116261614 Bracket, brake hose, Rt.	262136	N/A	44	NA- Bracket, engine bearer, V8	362124	N/A
45	A1086200258 Battery tray 280SE/C	362052	N/A	50	A1116205372 "Strengthening,front panel,	362040	N/A
50	A1116205572	362050	N/A	51	A1116200472 "Strengthening,lock plate,"	362041	N/A
60	Frt-member frt shell, W110+111 up to FN	362020	€ 339,15	61	Frt-member rr shell W110/111 up to FN	362030	€ 155,91
62	front shell front cross member late	862020	€ 365,33	63	Rear shell, front cross member late	862030	€ 159,00
64	NA- Bracket, Horn to cross member	362039	N/A	65	Bracket,bumper to cross member front left	362023	€ 86,25
65	Bracket,bumper to cross member frt. RH	362024	€ 86,25	66	Tow hook, front	362025	€ 28,92
70	round cover above fuel sender,Repro	247814	€ 5,20	70	Cover above fuel sender, plastic,black	347014	€ 7,79
70	A1106160162 Boot floor main panel 108-1	861000	€ 599,99	71	A1106100725 Strenghtener, cross- member/	361212	N/A
73	rep.-panel, simple quality	361830	€ 90,44	73	rep.-panel, simple quality	361840	€ 90,44
74	A1106160022 Exhaust bracket, rear	861121	N/A	78	Member shell RH above strut mount	361160	€ 178,50
78	Member shell LH above strut mount	361150	€ 178,50	79	Frame mount for rear struts 110-111-108	335010	€ 356,99
80	A1106101510 Side rail W/C108,110,111, L	361090	€ 799,00	80	Side rail W/C108,110,111, right	361100	€ 799,00
83	Outrigger rpr.panel, rear lt.,B qlty	361095	N/A	83	Outrigger rpr.panel, rear rt.,B qlty	361105	N/A
85	Outrigger repair panel, rear lt.	361093	N/A	85	Outrigger repair panel, rear rt.	361103	N/A
87	Panel, trunk to rail rr.LH	361050	€ 75,26	87	Panel, trunk to rail rr.RH	361060	€ 70,40
88	Grommet 4/20mm, 1 hole, drain	399009	€ 1,71	88	Bottom, spare tyre well, right	363060	€ 92,65
88	Bottom, spare tyre wel, left	363050	€ 84,00	90	Crossmember w.tank-supp,no exh- support	361110	€ 125,00
91	A1106120324 Bracket, exhaust on cross m	361210	N/A	96	Crossmember @ rear seat floor 111Cpe, repro, 1,2mm	361385	N/A

63/64 Panelling Tail+Roof W111Cpe/Cab

63/64 Panelling Tail+Roof W111Cpe/Cab

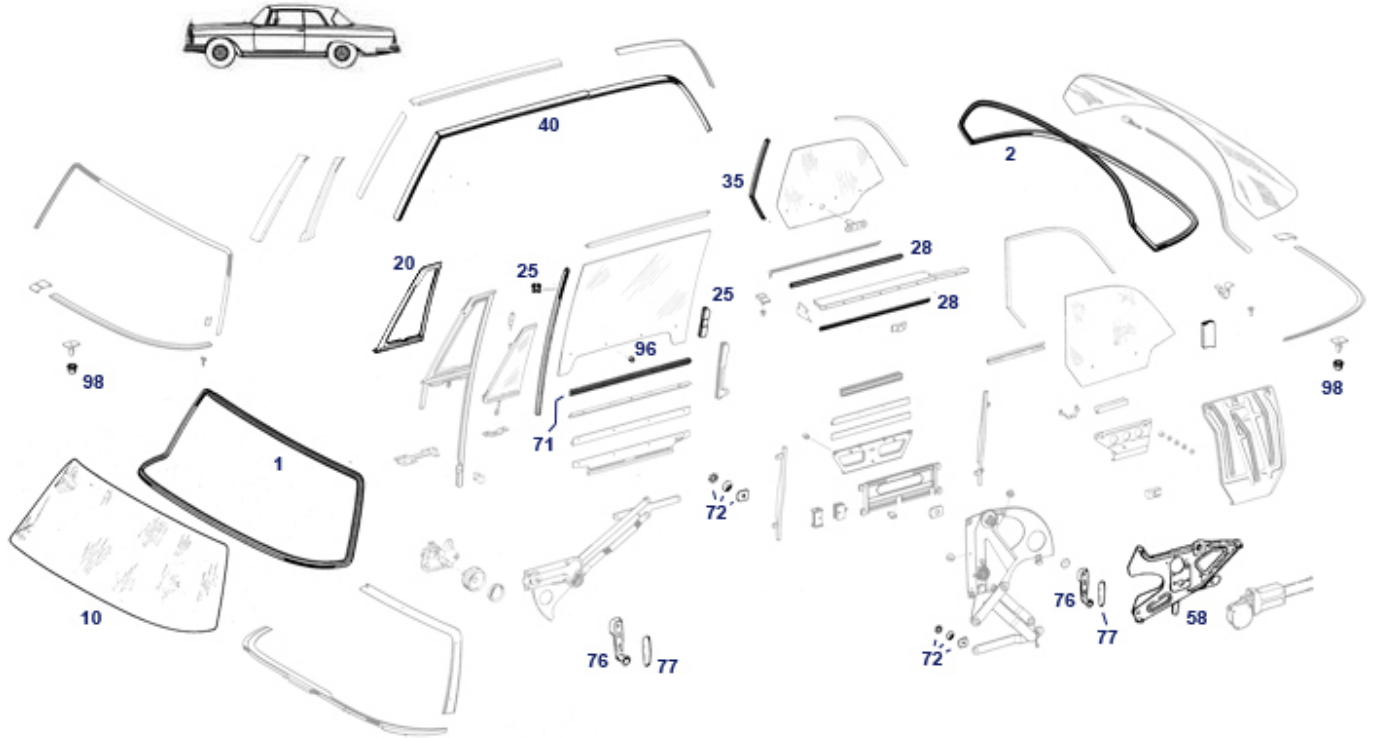


	brush L or R sunroof	878720	€ 8,97		Crossmember @ rear seat floor	361385	N/A
	del-t: brush, sunroof	878820	N/A		111Cpe, repro, 1,2mm	369023	€ 606,90
	unchromed trim right behind softtop	369022	€ 606,90		softright	369021	€ 606,90
	Chrome trim	377100	€ 204,29	1	unchromed trim left behind softtop	363190	N/A
1	A1116375421 A pillar inner	363200	N/A	2	A1116305110 A pillar inner	363230	N/A
2	220SEb/C rt			3	220SEb/C lt		
2	NA- A pillar outer 220SEb/C rt.	363240	N/A	3	A1116306369 Wheel arch 111,cpe	363035	N/A
3	A1116306469 Wheel arch 111cpe.,	363045	N/A	3	rear,,lt	363030	N/A
3	rear, r			3	Wheel arch C111, cabrio, lt.		
3	A1116375227 Bulkhead on C pillar,	363410	N/A	3	NA- Wheel arch C111 cabrio, rt.,	363040	N/A
3	rt.,						
5	Outer wheel arch, Cab/Cpe, RH,	364063	€ 490,15	5	Outer wheel arch, Cab/Cpe, LH,	364053	€ 490,15
5	Repro			5	Repro		
5	A1116375176 Wheel arch, without	364050	N/A	5	A1116375276 Wheel arch, without	364040	N/A
5	rear pi			5	rear pi		
7	A1116375235 Side rail C111-112	363020	€ 754,94	7	A1116375135 Side rail C111-112	363010	€ 754,94
7	ot.Rt.			7	ot.Lt.		
8	A1116375624 B pillar inner C111 rt.	363360	N/A	16	Roofframe111cpe.rear,upper,inner	365060	N/A
17	Roofframe111cpe.rear,upper,outer	365070	N/A	20	Rep.panel wing rr.RH 80% 111	363084	€ 790,81
20	Rep-panel wing rr.LH 80% 111 2	363074	€ 790,81	20	2-door		
20	door			20	Cardbox for large spareparts,	967993	€ 25,82
22	Patch panel C111/112 rear Rt.	363083	€ 82,74	22	170x60x80cm		
				22	Patch panel outer wheelarch RH	863083	€ 95,97

22	Patch panel outer wheel arch 108 LH	863073	€ 95,97	22	W108 rea Patch panel C111/112 rear left	363073	€ 82,74
24	NA- Angle piece , bumper, lt.. rear	363978	N/A	25	A1116405771 Boot rear panel, 220-300SEC	364100	N/A
26	Rep.panel wing rr.LH, frt section, 111 2-door	363072	€ 458,46	26	Rep.panel wing rr.RH, frt section, 111 2-door	363082	€ 458,46
27	Rep.panel wing rr.LH, rr section, 111 2-door	363078	€ 458,46	27	Rep.panel wing rr.RH, rr section, 111 2-door	363088	€ 458,46
29	Rep section tail, panel W111 2-door	364105	€ 471,09	30	Bottom, spare tyre wel, left	363050	€ 84,00
30	Bottom, spare tyre well, right	363060	€ 92,65	30	Grommet 4/20mm, 1 hole, drain	399009	€ 1,71
31	Panel, trunk to rail rr.LH	361050	€ 75,26	31	Panel, trunk to rail rr.RH	361060	€ 70,40
35	Brace in boot, cab. rt.	361088	N/A	36	A1116305428 Brace in boot, 111 cpe	361089	N/A
38	Lug wrench holder	164041	€ 15,33	40	A1116408046 Hood recess, 111 cab.	364770	N/A
40	Stow position hook W111-Cab, right	377044	€ 395,96	40	Stow position hook W111-Cab, left	377033	€ 395,96
41	NA- strengthening, hood recess, rt.	363041	N/A	41	NA- strengthening, hood recess, lt.	363031	N/A
43	A1116408091 Rail, rear, hood recess	364115	N/A	45	A1116208074 Windscreen frame upper, 111	361280	N/A
51	door body shell C111, Lt.	372710	N/A	51	A1117225409 Door body shell C111, Rt.	372810	N/A
67	Window regulator for E-motor, rear LH 111Cpe	367370	€ 377,62	67	Window regulator for E-motor, rear RH 111Cpe	367380	€ 380,10

67.d Window and seal W111-2-door

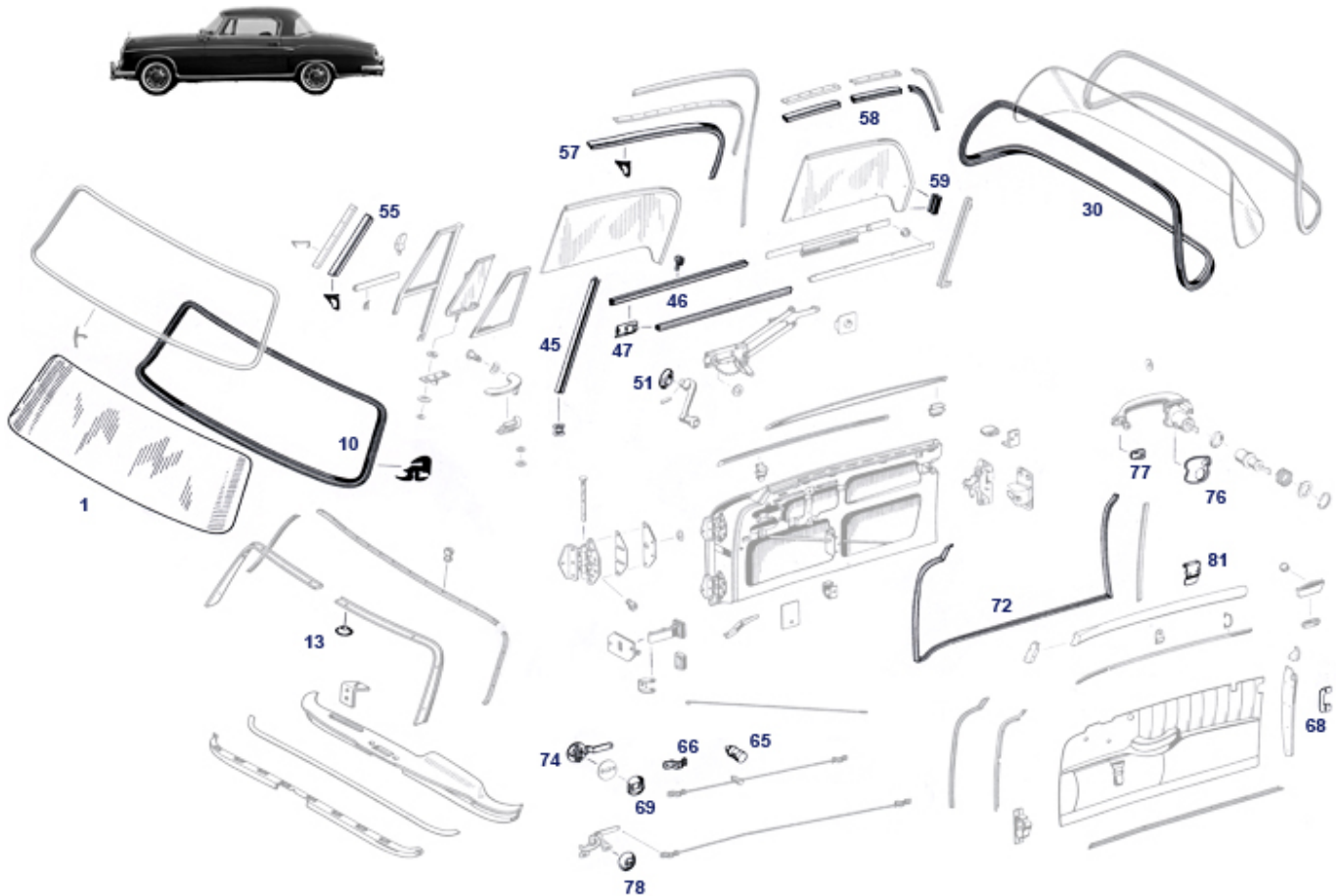
67.d Window and seal W111-2-door



	Bolt, flat head, garnish trim below WS, 2x req	367117	€ 13,35		1m rbr profile, glass framing	367055	€ 14,28
1	W/s gasket, W111-2: cpe/cab, OE-quality	367000	€ 139,99	1	main body seal kit W111-2, Cpe, OE-quality	372600	€ 1.212,94
2	Rubber seal rr window W111 Cpe	367030	€ 134,95	10	A1116715310	367010	€ 513,50
10	Windscreen 111 Cpe/Cab tinted	367012	€ 345,10	10	W/S glastransp. incl. box(Germany)	967999	€ 121,25
10	A1116715210	367013	N/A	20	Triangle window gasket C111/2 right	372230	€ 178,50
20	Triangle. window. gasket. C111/2 left	372130	€ 178,50	25	window slide rail, 2m	372525	€ 49,98
28	Abstreifborsten hinten W111 4Trg.	372507	N/A	35	Seal, coupe-window frt rail, 111,114	367255	€ 42,08
40	Side wind. seal W111 coupe Lt.	372216	€ 102,99	40	Seal W111 Cabrio, left	372210	€ 83,90
40	Side wind. seal W111 coupe Rt.	372211	€ 89,00	40	Abdichtgummi W111 Cabrio, right	372215	€ 83,90
58	Window regulator for E-motor, rear LH 111Cpe	367370	€ 377,62	58	Window regulator for E-motor, rear RH 111Cpe	367380	€ 380,10
62	side window seal rear left	367053	€ 68,90	62	side window seal rear right	367052	€ 68,90
63	Halteschiene, Seitenfenster hi	367508	€ 12,05	64	Clip, eg door covering	772229	€ 1,23
69	Rivet, rear window drip strips	270691	€ 0,20	69	N/A ! A0019885478 Clip, licence strip	270690	N/A
71	N/A ! -A1157250965-2m brush strip, as genuine	972500	N/A	71	1m brush profile? Window Scraper Seal - 1157250965	872500	€ 21,19
72	assy see pict: same as MB assy 123	272752	€ 10,88	76	Window crank handle 63-70 replacemt	276001	€ 133,64
77	Crank Pad 06.63->01.70 black	276090	€ 17,49	96	Rubber sleeve for door glass	272075	€ 2,50
96	1m hose 1/4" x 1,5 e.g glass mount	272875	€ 1,82	97	Rubber buffer 5mm,121,113,10	298066	€ 0,89
98	Clip, moulder below windscr	367098	€ 0,71	98	grommet washer-clip	367099	€ 0,60

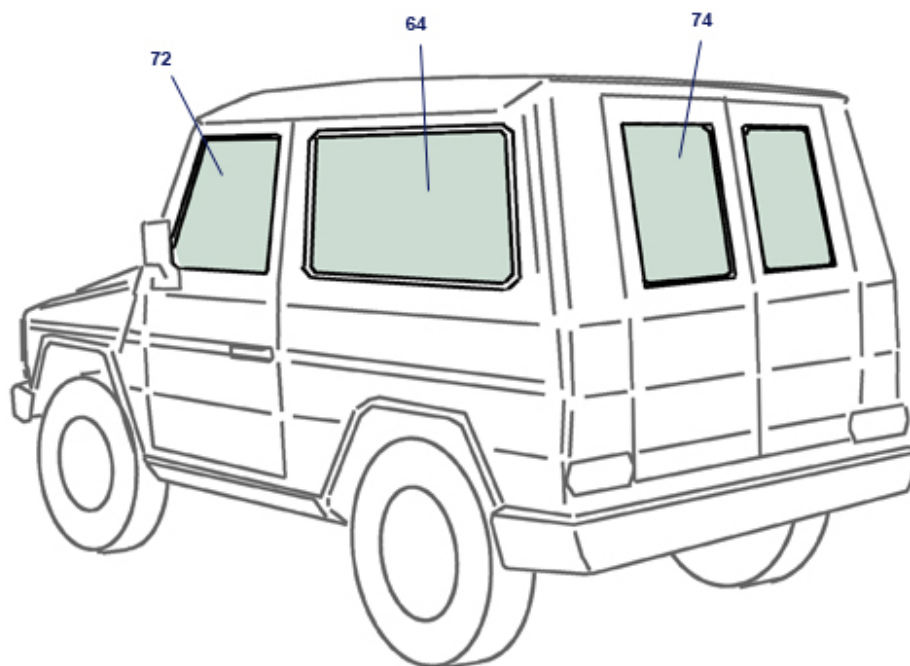
67.c Windows and Door Ponton Cpe/Cab

67.c Windows and Door Ponton Cpe/Cab



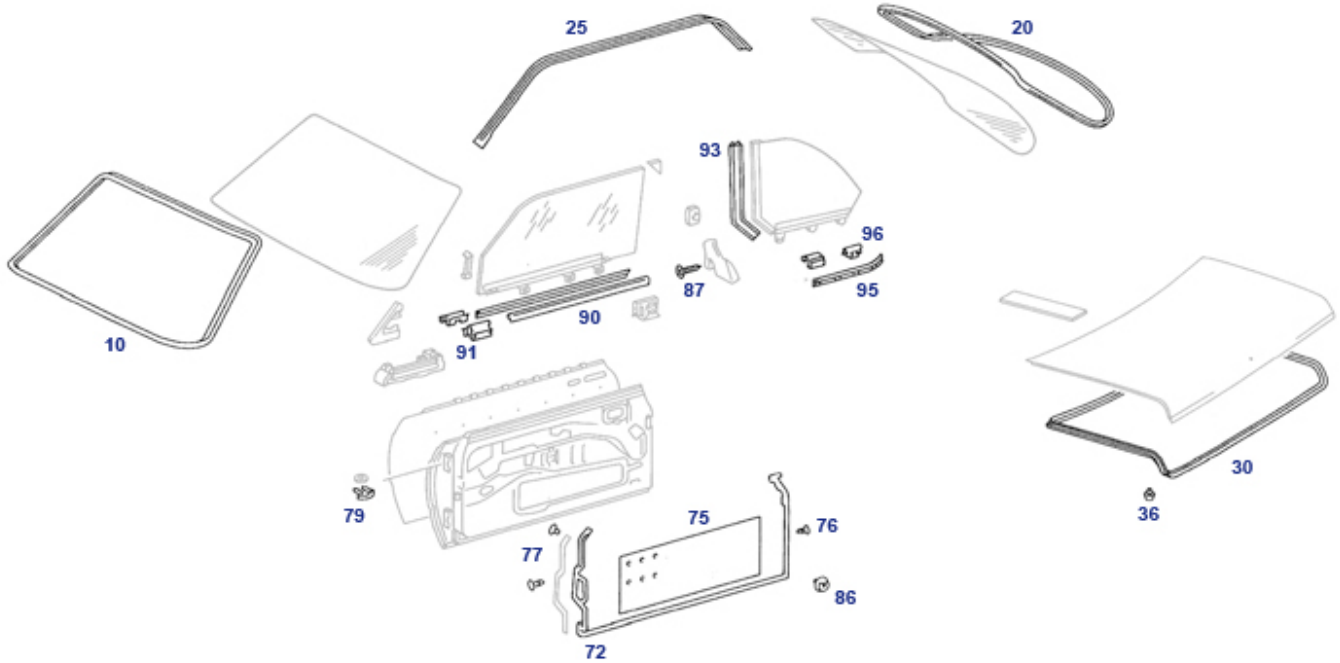
	Rubber rod guide 190SL, R113, 111Cpe/Cab	298705	€ 5,95		Gkt.,triang.wind. pontoon left	472140	N/A
	Door striker Rt. 4.60->7.61	172078	N/A		Clip, dec. strip Ponton	472115	€ 2,49
1	door stop RH assy see pict	172884	€ 310,00	1	W/S glasstrasp. incl.	467001	€ 345,10
	box(Germany)	967999	€ 121,25	10	W/S seal, 220S/SE con/cpe	467000	€ 159,40
13	countersunk washer / screw	373113	€ 2,68	13	Screw countersunk, 3,9 x 22	999994	€ 2,28
13	escutcheon						
13	Screw, countersunk, 3,5 door-chr.	799927	€ 1,14	30	Rear window seal pontoon coupe	467030	€ 158,57
45	window slide rail, 2m	372525	€ 49,98	46	N/A ! -A1157250965-2m brush strip, as genuine	972500	N/A
46	1m brush profile? Window Scraper Seal - 1157250965	872500	€ 21,19	51	Escutcheon assembly, with spring	176002	€ 67,50
55	Universal rbr seal 1m, side windows 2-Door Pontoon	472703	€ 41,65	59	Guide jaw Pontoon Cpe/Cab	472033	€ 23,21
65	Rubber rod guide 190SL, R113, 111Cpe/Cab	298005	€ 5,55	66	clips for door actuator link wires	198004	€ 27,04
68	Covering, locks years '60-'61	472029	€ 59,00	69	Door lock escutcheon plate	176066	€ 78,53
72	Door seal, Pontoon cab/cpe. LH	472100	€ 189,21	72	Door seal, Pontoon cab/cpe. RH	472200	€ 189,21
74	Locking handle assy. inner door ->'67 R	172194	€ 109,78	74	Chrome handle for int.locking repair	172195	€ 59,99
74	Locking handle assy, inner door ->'67 L	172193	€ 109,78	76	Door handle seal, Rt.	472012	€ 5,70
76	Door handle seal, left	472013	€ 5,70	77	Door handle seal, Ponton left/right	472011	€ 4,19
78	Escutcheon, inner door handle	176055	€ 8,39	81	Barbed clamp at wood trim	172115	€ 23,23

67.g Window glass, G-models



64	glass, right, green (station compartment),5/6-door	G4676110	€ 109,48	64	glass, right, green (station compartment),5/6-door	G4676120	€ 109,48
64	glass, right, green (station compartment),3/4-door	G4676111	€ 109,48	64	glass, left, green (station compartment),3/4-door	G4676121	€ 109,48
72	door glass, front left, green	G4672110	€ 95,20	72	door glass, front right, green	G4672120	€ 95,20
74	rear door glass, left, green	G4673110	€ 71,40	74	rear door glass, right, green	G4673120	€ 71,40

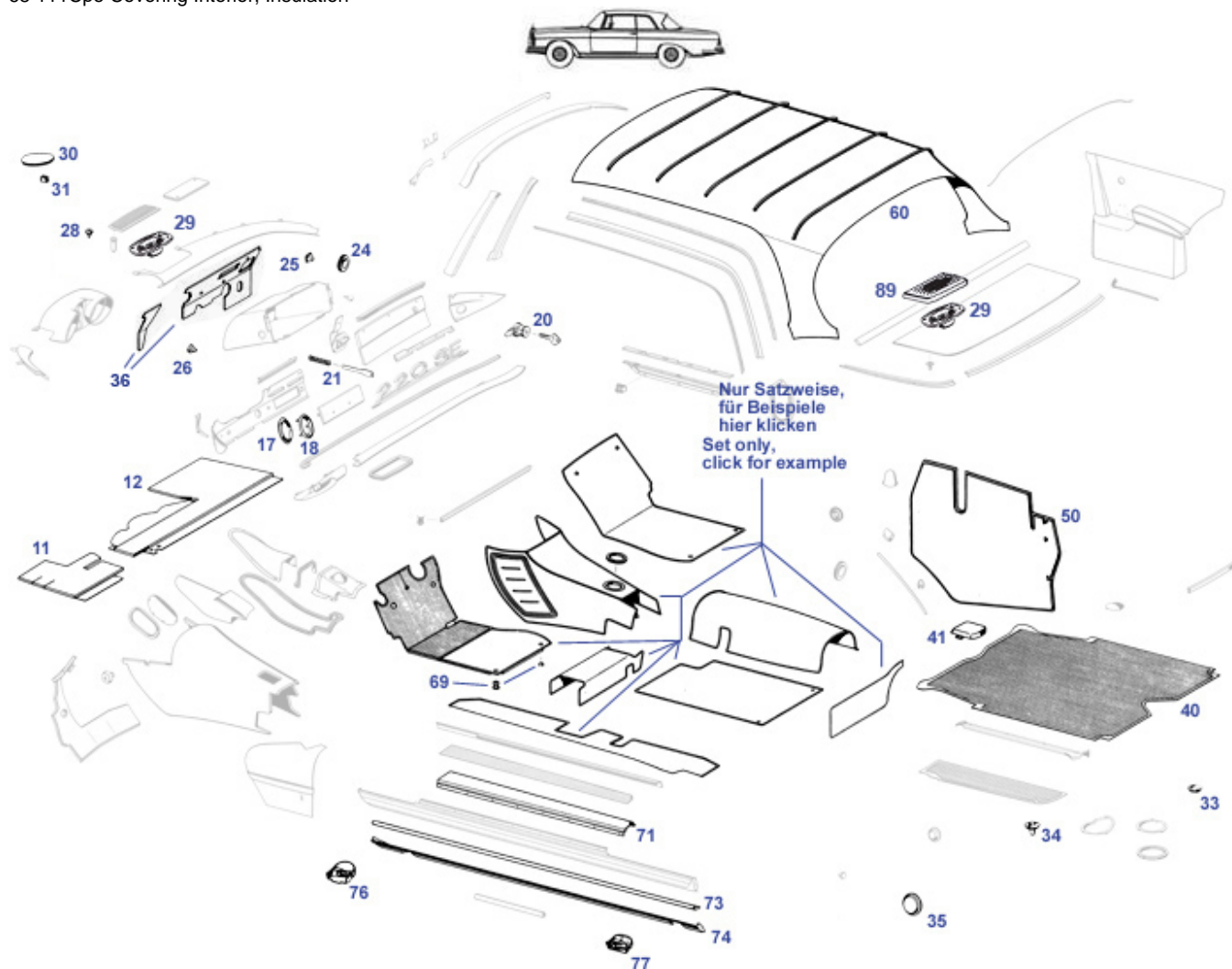
67, 72, 75 Weatherstrips Coupe 114, 123, ..



		572010	€ 135,01		Clip, window brush W110,111,112	372602	€ 2,38
	Rear Window seal W126-Coupe (SEC)	C2667030	N/A		A1157270331 Gkt., B-pillar C114 Lt.	572182	€ 39,50
	A1157270431 Gkt., B-pillar C114 Rt.	572282	€ 39,50	10	Rubber seal windscreen W123 Coupe	567123	€ 84,49
10	W/s gasket, W114 cup	567000	€ 122,99	20	R/w gasket, W114 cup.	567030	€ 110,00
20	Rubber seal rear window W123 Coupe	567130	€ 99,00	25	Seal above RH side windows 123 Coupe	572211	N/A
25	Gkt. u. side window, Left	572215	€ 103,99	25	Seal above LH side windows 123 Coupe	572216	N/A
25	Gkt. u. side window, Rt.	572210	€ 103,99	30	Boot seal W114 cpe (2-door), Repro	575020	€ 64,39
30	A1267500198 Boot seal W126 cpe	675020	N/A	36	Buffer, conical shape, boot lid div.	398043	€ 1,65
72	Door seal C123 RH	572223	€ 110,00	72	Door seal, C123 LH	572123	€ 110,00
72	Door seal C114 cpe, Lt.	572100	€ 136,85	72	Door seal C114 cpe, Rt.	572200	€ 136,85
75	A1686820308 Sound damper, door skin	772068	€ 17,26	75	Insulation, adhesive, at door skin inside R/C107	772168	€ 49,99
76	Clip, door seal, rear	772158	€ 0,60	77	Stopper for seal	772159	€ 0,40
79	Locking clips, door catch bolt	772118	€ 0,73	79	A1269900940	972169	N/A
86	Clip, eg door covering	772229	€ 1,23	86	Clip on door trim (16x veh.)	772228	€ 0,48
87	screw countersunk PH 2,9x13 stainless	769179	€ 0,24	90	A1239881178 Clip, brush strip, inner rear (2req)	572506	N/A
91	Clip, fits new style brush, black	772508	€ 2,50	91	5+5 pcs required, also used, if brush modernized	773804	€ 3,00
93	1m rbr profile, glass framing	367055	€ 14,28	93	Seal, coupe-window frt rail, 111,114	367255	€ 42,08
95	1m brush profile? Window Scraper Seal - 1157250965	872500	€ 21,19	96	Clip, window brush W110,111,112	372502	€ 3,57
96	Clip, brush strip, inner @ coupe-window	772504	€ 3,09	96	clip , bush strip W108, W109, W114, W115, outer	572502	€ 2,34
105	A1156700068 Slider, 1/4 wind. channel, f	767054	N/A	167	W/S-Scheibe 250-280CE, color	567011	€ 455,00
167	A1156710710	567012	€ 513,50	167	Frontscheibe W114 Coupe, klar	567010	€ 350,99
175	one pce mat 50 x 100 cm	968035	€ 31,50	189	A1249889878	869670	N/A

68 111Cpe Covering Interior, Insulation

68 111Cpe Covering Interior, Insulation

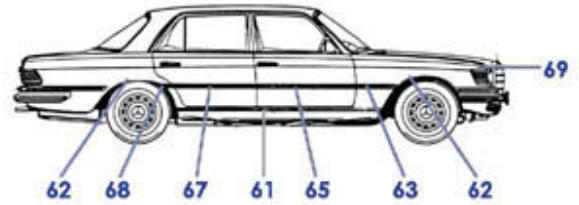
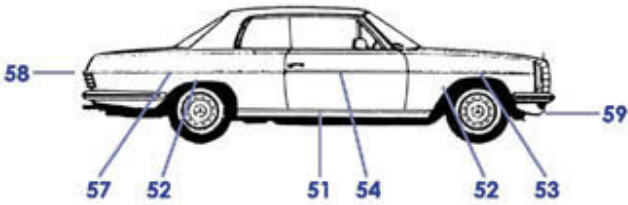
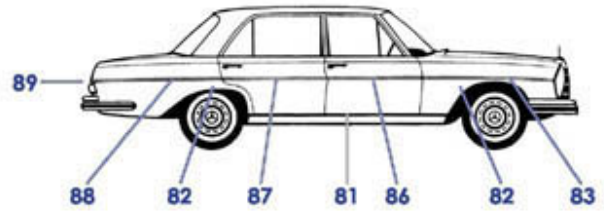
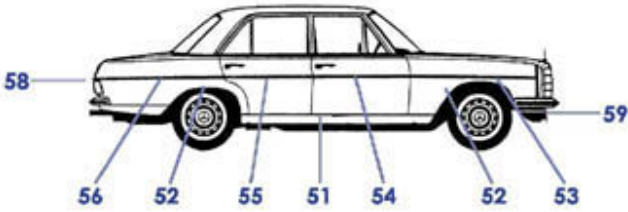
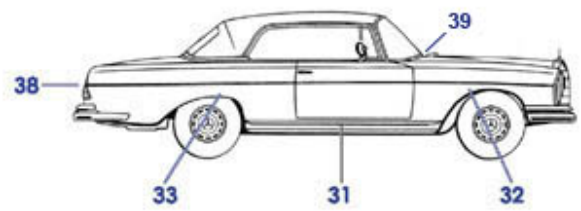
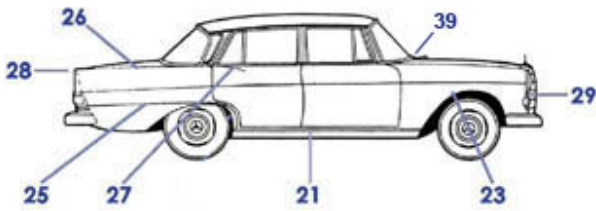


	Metal Clip, covers,	268676	€ 1,79		Foam sheet per square mtr, D=5mm	368037	€ 8,65
	Teppichsatz 111 Cpe rot-boucle	394173	€ 462,41		Speaker, W111 footwell, if "Stereo"	368215	€ 245,01
	Teppichsatz C111 Velours	393172	N/A		1sqm mat, Terodem SP300 self adhesive	968170	€ 75,45
	Teppichsatz 111 Cpe Schlinge anthrazit	393272	€ 385,51		knob, plastic base, carpet fixture	798006	€ 3,19
11	Cover, paper under dash C111 LHD LH, FN	368035	€ 64,40	12	Cover, paper under dash C111 LHD RH FN	368036	€ 103,04
12	A1086809217	868278	N/A	17	Rubber pad, dec. ring, ->167	268042	€ 16,18
17	Rubber ring 1967 -> 07..1979 A1156890097	268044	€ 4,61	18	lock escutcheon from '67, Alu anodized	268043	N/A
18	lock escutcheon up to '67, Alu anodized	268041	€ 7,98	20	A1086800384 Lock, FN	868055	N/A
20	A1106890001 Lock 230-280SL->010355, W10	268055	N/A	21	A1116890032	368070	N/A
21	A1109930901	368071	N/A	24	Rbr plug 17,5mm	398995	€ 1,17
25	Rubbergrommet, firewall, square	299026	€ 3,32	26	Rubber buffer 5mm,121,113,10	298066	€ 0,89
28	Rubber buffer	298794	N/A	29	Speaker 108/109/111	368015	€ 75,36
30	Cover, front subframe mount	268010	€ 11,90	31	Clip,cover	268009	€ 1,77
33	Buffer, conical shape, boot lid div.	398043	€ 1,65	33	Plug, 32mm, e.g. boot, ..Repro	268309	€ 0,70
34	Grommet 4/20mm, 1 hole, drain	399009	€ 1,71	35	A1109870644	398785	N/A
36	Firewall mat LHD W111 220 SEB, Material 13mm	368532	€ 210,00	36	Firewall Insulation 111/2, version see picture	368530	€ 212,89
40	Rubber trunk main mat A1086840105	868300	€ 265,37	41	cover rear cross member, above axle mount	269832	€ 31,90
41	Rivet,for cover in boot	269034	€ 0,35	41	A1116930030 Covering, mount, in	269032	N/A

50	Covering blk card, boot 108LH	868611	€ 87,51	50	boot		
50	Card+foam covering W111 Cpe-trunk LH	368611	€ 103,04	59	Covering, W110 boot LH	368612	€ 94,00
60	Himmel 111Cpe	368900	N/A	60	Seal 111Cpe	369040	€ 127,39
60	m.SSD,"Wolkenweiß" Vinyl			60	Himmel für C111 Cpe, bambus	369007	N/A
60	A11169058508036	369006	N/A	60	A11169058507020	369005	N/A
69	Spring eye part of snap	177006	€ 0,39	69	A1119901040 Washer	268106	N/A
69	A0009888481 Press button	177008	N/A	69	Ball to screw, part of snap	177003	€ 0,43
69	Cap part of snap	177005	€ 1,79	69	Screw 4,2 x 25	268104	€ 0,30
69	Knob(1pce),e.g.rubbermats	268105	€ 4,94	71	Panel under rocker rubber, RH	368180	€ 95,00
71	Panel under rocker mat , LH door step	368170	€ 95,00	73	doorstep		
74	A1116865345	369075	N/A	74	1m rbr profile, Cab/Cpe rocker	398011	€ 5,65
76	A1118995008	389007	N/A	77	A1116865445	369085	N/A
85	Nachrüst-Gurt, Fond zB. W108	899973	€ 107,10	77	Cover/ Plug jack mount rear	389008	€ 24,50
				89	A1118995108		
					Cover mesh f.oval speaker, black	868117	€ 52,07

69/88 Trims at Sidepanel

69/88 Trims at Sidepanel



	Rubber underlay, tailpanel trims ref 0009872760	369056	€ 39,69				
	Dec. strip set, whl. arch W/C111, B.Quality	B364000	€ 119,00	21		Bolt, flat head, garnish trim below WS, 2x req	367117 € 13,35
21	Clip, dec. strip Ponton	472115	€ 2,49	21		Clip, t'hold strip, to'67	898010 € 1,49
21	Dec. strip t'hold Rt.	569060	N/A	23		Dec. strip t'hold Lt.	569050 N/A
23	A1128810244 Dec. strip, whl. arch fr.Rt	388322	N/A	25		A1128810144 Dec. strip, whl. arch fr.Lt	388312 N/A
25	A1126980480 Dec. strip, rear wing, rr.R	369140	N/A	26		A1126980380 Dec. strip, rear wing, rr.L	369130 N/A
26	A1116980183 Dec. strip on tailfin, Lt.	369054	N/A	26		A1119870226	373111 N/A
27	A0019887978	398177	N/A	27		A1116980283 Dec. strip on tailfin, Rt.	369064 N/A
27	A0019880981	398690	N/A	27		A0009870715	398176 N/A
27	A1117380422 Dec. strip, rr. door 1/4 wi	373120	N/A	27		A1117380322 Dec. strip, rr. door 1/4 wi	373110 N/A
28	A1116900479 Dec. strip, tailfin end, Rt	369062	N/A	27		Clips	472056 N/A
28	Schild "200D" am A-Brett, solange Vorrat	381028	€ 28,56	28		A1116900379 Dec. strip, tailfin end, Lt	369052 N/A
31	Plug, e.g. upper trim at door W111 Cpe/convertible	372082	€ 2,56	29		A1118810544 Dec. strip W111, fr. wing,	388180 N/A
31	1m rbr profile, Cab/Cpe rocker	398011	€ 5,65	31		A1116865220 Chrome strip, side rail Rt.	369080 N/A
32	A1128815244 Dec. strip, whl. arch, fr.R	388320	N/A	31		A1116865120 Chrome strip, side rail Lt.	369070 N/A
33	Dec. strip set, whl. arch W/C111	364000	N/A	33		1m rubber profile e.g. prot.	169056 € 2,99
33	Dec. strip set, whl. arch, rr.Lt.	369310	N/A	33		A1126985280 Dec. strip set, whl. arch,	369320 N/A
39	grommet washer-clip	367099	€ 0,60	38		Dec. strip rr.Lt. oder Rt.	369050 N/A
51	Clip, rocker panel trim 108, ...	872056	€ 0,20	39		Connecting piece, middle	267045 € 14,33
				51		A1156980121 Underlay, rbr. t'hold strip	569054 N/A

51	A1156980221 Underlay, rbr. t'hold strip	569064	N/A	52	Dec. strip set, whl. arch W114/115	564000	€ 133,52
53	Dec. strip, wing, fr.Lt.	569070	€ 45,70	53	Dec. strip, wing, fr.Rt.	569080	€ 45,70
54	A1157200180 Dec. strip on door, cpe., L	572250	N/A	54	Dec. strip on door limo fr.Lt.	572255	€ 30,33
54	Dec. strip on door limo fr.Rt.	572256	€ 30,33	54	A1157200280 Dec. strip on door, cpe., R	572252	N/A
55	Dec. strip on door rr.Lt.	573255	€ 30,33	55	Dec. strip on door rr. Lt.	573256	€ 30,33
56	A1146900480 Dec. strip limo wing rr.Rt	569116	N/A	56	A1146900380 Dec. strip limo wing rr.Lt	569115	N/A
57	A1156900480 Dec. strip cpe wing rr.Rt.	569120	N/A	57	A1156900380 Dec. strip cpe wing rr.Lt.	569110	N/A
58	A1146900280 Dec. strip W114,115 tail Rt	569160	N/A	58	A1146900180 Dec. strip W114,115 tail Lt	569150	N/A
59	Dec. strip under bumper fr.Lt.	569075	N/A	59	Dec. strip under bumper fr.Rt.	569076	N/A
61	Dec. strip t'hold SE Lt.	669050	N/A	61	Dec. strip t'hold SE Rt.	669060	N/A
61	Dec. strip t'hold SEL Rt.	669061	€ 47,60	61	Dec. strip t'hold SEL Lt.	669051	€ 29,42
62	Dec. strip set, whl. arch W116	664000	N/A	63	Dec. strip, wing, fr. Lt.	669070	€ 115,00
63	Dec. strip, wing, fr. Rt. W116 NOS	669080	€ 115,00	65	Dec. strip, drivers door, Lt.	672250	N/A
65	Dec. strip, drivers door, Rt.	672260	N/A	67	A1167300480 Dec. strip rear door SEL Rt	673261	N/A
67	Dec. strip rear door SEL Lt.	673251	€ 51,52	67	Dec. strip rear door SE Lt.	673250	€ 27,06
67	Dec. strip rear door SE Rt.	673260	€ 49,67	68	Dec. strip bf. rear whl. Lt.	669110	€ 26,79
68	Dec. strip bf. rear whl. Rt. W116 NOS	669120	€ 32,13	69	A1168810332 Dec. strip over dir. ind. L	688175	N/A
69	A1168810232 Dec. strip under bonnet lip	688180	N/A	69	A1168810432 Dec. strip over dir. ind. R	688185	N/A
69	A1168810132 Dec. strip under bonnet lip	688170	N/A	81	Rest: Dec. strip, rail, 'SE' 108/110	869060	N/A
81	A1096980421 Underlay, rbr. Dec. strip R	869062	N/A	81	A1096980280 Dec. strip t'hold 'SEL' Rt.	869061	N/A
81	A1096980321 Underlay, rbr., dec. strip,	869052	N/A	81	A1096980180 Dec. strip, t'hold 'SEL' Lt	869051	N/A
81	Rest: Dec. strip, rail 'SE'lt.108/111	869050	N/A	82	Dec. strip set, whl. arch W108	864000	N/A
83	A1088801182 Dec. strip wing, fr.Lt.	869070	N/A	83	A1088801282 Dec. strip wing, fr.Rt.	869080	N/A
83	Trim plug, red	772083	€ 0,24	86	A1087202180 Dec. strip W108-9, door fr.	872250	N/A
86	A1087202280 Dec. strip W108-9, door fr.	872260	N/A	87	A1087301980 Dec. strip door rr.Lt. 'SE'	873250	N/A
87	A1097301880 Dec. strip 'SEL', door rr.R	873261	N/A	87	A1087302080 Dec. strip door rr.Rt. 'SE'	873260	N/A
87	A1097301780 Dec. strip 'SEL', door rr.L	873251	N/A	88	A1086901980 Dec. strip wing, rr.Lt.	869110	N/A
88	A1086902080 Dec. strip wing, rr.Rt.	869120	N/A	89	A1086902280 Dec. strip, tail, Rt.	869160	N/A
89	A1086902180 Dec. strip, tail, Lt.	869150	N/A	126	Bumper bracket L or R, outer	388126	€ 93,89
150	Bumper bracket late Cpe frt inner LH	388150	€ 63,72	150	Bumper bracket late Cpe frt inner RH	388160	€ 63,72
999	A1086900071 bolt garnish moulding	869155	N/A	999	Plug, trim fitment, grey	772082	€ 1,02

67/72/75 Weatherstrips 4-door vehicles

67/72/75 Weatherstrips W110+111+112(4-door), 108+109

Seal B-pillar W110-112 front right	372280	€ 46,40	Set rbr mats rocker pnl, grey, W108-S/S	868585	€ 115,00
R/w gasket, W110-112 4-door cars, OE-quality	367033	€ 109,00	W/S seal 108/109, reproduction	867820	€ 56,98
Rr window seal, W108/109, reproduction	867833	€ 64,46	Frontscheibendichtung 108 Orig	867920	€ 110,00
W/s gasket, W108/109, FEBI	867020	€ 41,00	Rr window seal, W108/109, OE-quality	867033	€ 103,99
del-t: brush, sunroof	878820	N/A	brush L or R sunroof	878720	€ 8,97
grommet, drain hose @ trunk W108 sunroof	878099	€ 19,99	1m fabric hose brown, for protection profiles pill	372806	€ 12,79
R/W gasket, W110-112 4-door cars, FEBI	367833	€ 65,24	1m fabric hose blue, for protection profiles pilla	372805	€ 12,79
1m fabric hose black, for protection profiles pill	372804	€ 12,79	Rear window gasket, ponton/limo OEM	467033	€ 59,50
Seal, s'shine roof frt. 108 114 123	878900	€ 9,02	clip, brush, inner, 108,109,114,115	872502	€ 7,49
grommet, frt door wirings 108/9	899050	€ 29,99	Set rbr mats rocker pnl, blk, W108 S/S	868580	€ 115,00
Set rbr mats rocker pnl, grey, W108/9-SE	868595	€ 115,00	Set rbr mats rocker pnl, blk, W108/9-SE	868590	€ 115,00
6 pcs set rubber mats W110/111, 4-door LHD, inter	368501	€ 362,95	W/s gasket, W110-112: limo, OE-quality	367020	€ 164,99
W/s gasket, W110-112: limo, reproduction	367820	€ 46,61	Seal B-pillar W110-112 fr.L	372180	€ 46,40
A1087270431 Seal, B-pillar W108-9 fr.Rt	872280	€ 59,99	A1107200278 Door seal 190-300SEL, fr.Rt	372205	€ 155,00
Door seal set, 190-300SE 4-door	372155	N/A	Door seal 190-300SEL, fr.Lt.	372105	€ 155,00
Boot seal, fits 4-door	375022	€ 140,00	Gkt. B-pillar W110-112 rear left	373180	€ 29,75
Door seal 190-300SE, rr.Rt.	373200	€ 164,99	Seal B-pillar W110-112 rear right	373280	€ 29,75
Door seal 190-300SE, rr.Lt.	373100	€ 164,99	A1167250198	872509	N/A
Seal B-pillar W108-9 front Left original quality	872180	€ 59,99	A1087500077 Boot seal W108/109 134cm	875022	N/A
Door seal W108-109 fr.Rt.	872200	€ 179,99	Door seal W108-109 fr.Lt.	872100	€ 179,99
Seal B-pillar W108-9 rear right original quality	873280	€ 59,50	Clip, door seal	873159	€ 0,60
Seal B-pillar W108-9 rear left original quality	873180	€ 59,50	Door seal W108 (SE) rear right original quality	873200	€ 200,99
Door seal W108-9 (SEL) rr.r	873205	€ 174,99	Door seal W108 (SE), rear left original quality	873100	€ 200,99
Door seal W108-9 (SEL) rr.Lt.	873105	€ 169,19	Boot seal W108/109 , reproduction	875822	€ 60,12

67/72/75 Weatherstrips W114+115(4-door), W123, W116

A1157270231 Gkt., B-pillar W114-5 Rt.fr	572280	N/A	Door seal W116, front right	672200	€ 109,00
seal rear, sunroof 115, 116	578910	€ 9,29	clip, brush, inner, 108,109,114,115	872502	€ 7,49
Set 4pcs grommets, B-pillar->rear doors, CL/PWL	899051	€ 19,04	Protection hose A-pillar to frt door W114/115	580915	€ 29,75
Boot seal W116, Repro	675022	€ 74,95	Door seal W116, front left	672100	€ 109,00
WS seal W114/5 4-Door late/USA	567120	€ 89,00	Rubberseal windscreed W116, OE-quality	667020	€ 95,00
Trunk lid seal W123 Sedan, Ref 123 758 0098	575010	€ 85,00		567025	€ 89,25
	567035	€ 79,99		572030	€ 138,99
	572040	€ 138,99		572011	€ 150,00
Rubber seal, rear window W116, OE-quality	667033	€ 95,00	Body seal kit, 9pcs, W123 4-door	572601	€ 329,54
A1157270131 Gkt., B-pillar W114-5 Lt.fr	572180	N/A	A1157370131 Gkt., B-pillar W114-5 rr.Lt	573180	N/A
Door seal W114-115 front right	572205	€ 124,95	Door seal W114-115 front left	572105	€ 124,95
A1157250124 Gkt., triang.wind. W114-5 Lt	572140	N/A	A1157250224 Gkt., triang.wind. W114-5 Rt	572240	N/A
A1157370231 Gkt., B-pillar W114-5 rr.Rt	573280	N/A	Door seal W114-115 rear left	573100	€ 129,70
A1157301478 Door seal W114-115 rr. Rt.	573200	€ 129,70	W/s gasket, W114/115	567020	€ 105,90

Gkt.,triang.wind. W114-5 Rt. rr.	573240	€ 53,55
Boot seal 4-door-W114/115, Repro	575022	€ 40,34
rear window seal W114/115	567833	€ 30,29
A1156780820 R/w gasket, W114/115	567033	€ 106,85

A1157350124 Gkt.,triang.wind. W114-5 Lt	573140	N/A
A1157580098 see 575022	575922	N/A
Heckscheibendichtung W114/115	567133	N/A
	572021	€ 150,00

72/75 Weatherstrips W126 (4-door), W201, W124

Door seal W201 rear LH	573106	€ 78,90
	667030	€ 69,99
protection bellows door wiring	580920	€ 4,41
Door seal RH 126 SEC (Coupe)	672202	€ 53,10
Weatherstrip trunk lid W124 (4-door) early	575825	€ 20,45
Door seal W201 rear RH	573206	€ 78,90
Door seal frt LH W124 (4-door veh)	572107	€ 34,78
Weatherstrip, trunk lid W124 Cpe	575824	N/A
Door seal W201 frt RH	572206	€ 59,99

N/A ! Door seal rr RH W124 (4-door veh)	573207	N/A
Boot lid seal W124 4-Door GenII (OE..0398)	W2475021	€ 99,95
seal, taillight W126, fits L or R	682655	€ 68,33
Door seal LH 126 SEC (Coupe)	672102	€ 68,32
Door seal rr LH W124 (4-door veh)	573107	€ 26,03
Door seal frt RH W124 (4-door veh)	572207	€ 34,78
Weatherstrip trunk lid W124 late	575826	€ 36,62
Weatherstrip boot lid W201, Repro	575823	€ 29,22
Door seal W201 frt LH	572106	€ 59,99

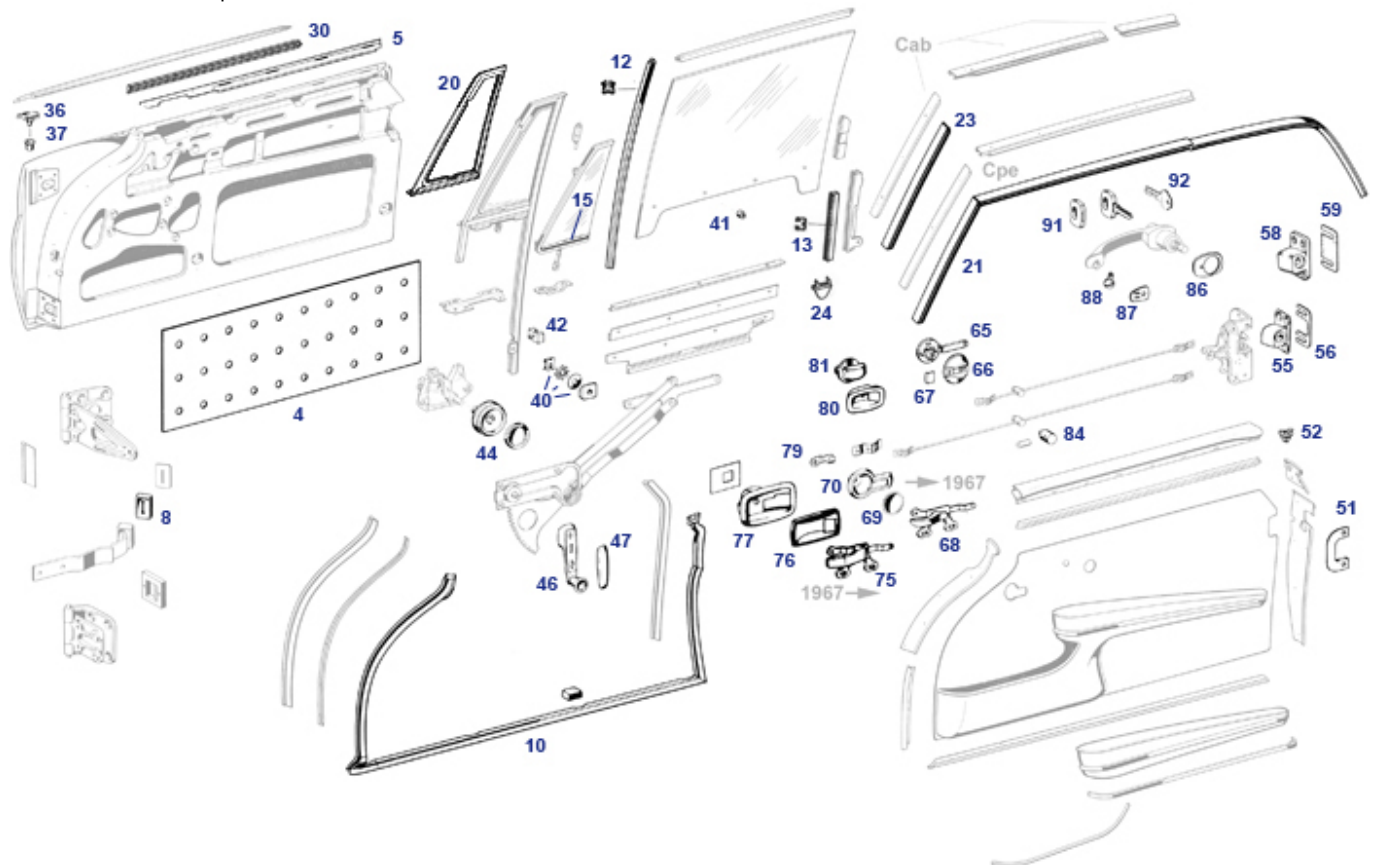
73/74/75 Weatherstrips "station" 5-door

Weatherstrip rear door 123-Station	574023	€ 112,59
Rubberseal, glass rear door, 124 station	574067	€ 69,99
Rubberseal rear window W123 station	S2374067	N/A

clip, repair solution rear lamp holder S124	S2482755	€ 26,18
Weatherstrip rear door (station) S124	574024	€ 119,00
	572035	€ 148,75

72.b Doors W111 Coupe/Convertible

72.b Doors W111 Coupe/Convertible

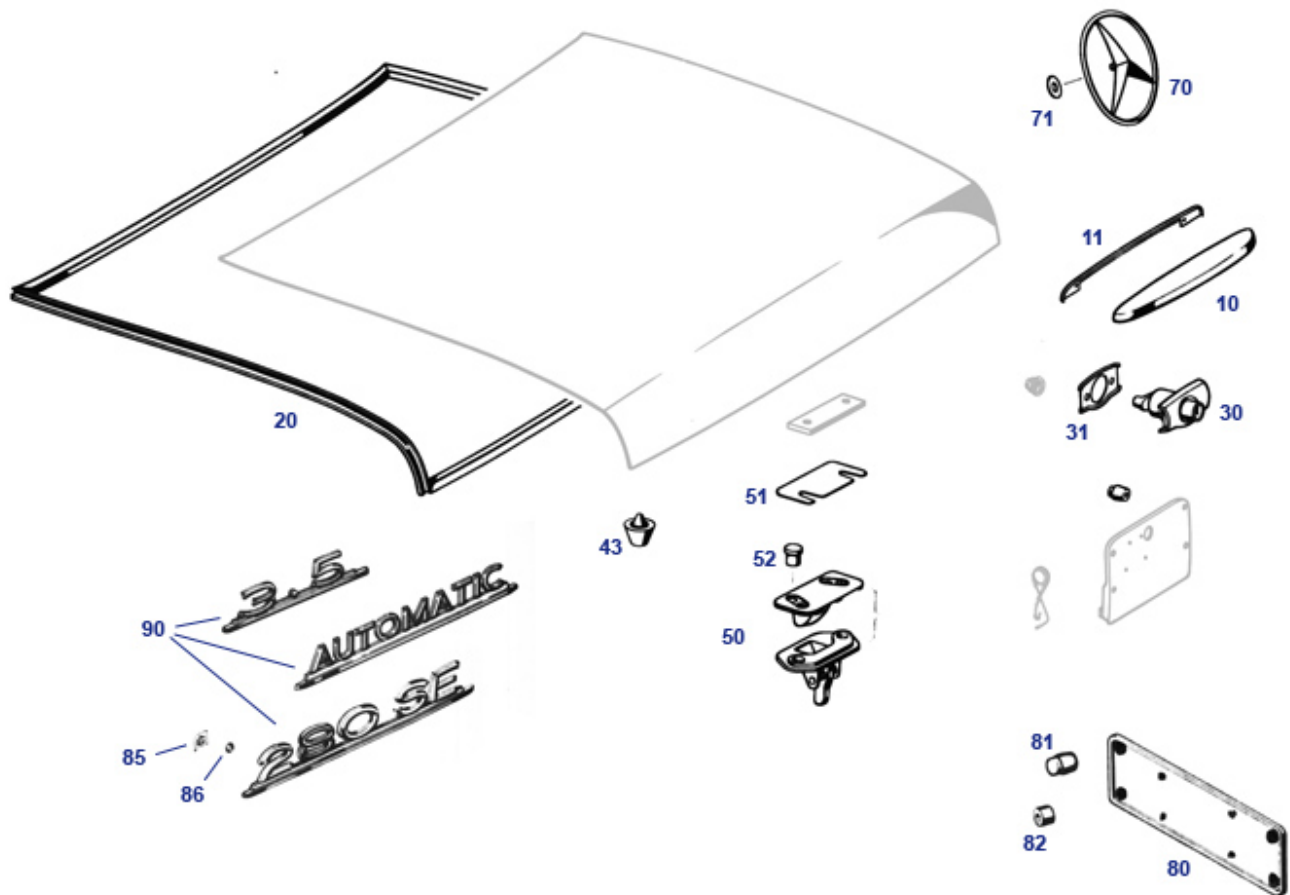


	late lock mechanism RH, no prot-lock	272062	€ 457,70		lock mechanism LH, no prot-lock	172049	€ 459,99
	lock mechanism RH, no prot-lock	272051	€ 478,39		lock mechanism LH, w. prot-lock	272050	€ 478,39
	Door lock,late FN+ catch, RH	272049	N/A		Handle w.knob, ca. 1970-1976	276004	€ 41,50
	A1117255132	372123	€ 130,89		Door lock,late FN+ catch, Lt.	272048	N/A
	late lock mechanism LH, w. prot-lock	272063	€ 572,25		--> see 372100	372900	€ 211,34
	A1806900071	969071	N/A		A1117255132	372122	€ 130,89
	A1087680113 washer, see kit contents 272752	276005	N/A		1m rbr profile, glass framing	367055	€ 14,28
	A1159870740	399743	N/A		A0009879140 buffer	372915	N/A
	A1167230111 Distance plate, c.d.c.Lt.	772052	N/A		lock mechanism RH, no prot-lock	172048	€ 399,45
1	A1117225409 Door body shell C111, Rt.	372810	N/A	1	door body shell C111, Lt.	372710	N/A
4	Insulation, adhesive, at door skin inside W111 Cpe	372168	€ 45,80	4	0,75 sqm mat, Teroson BT-SP100 self adhesive	968173	€ 67,20
5	Inner upper door strip, metal, W111Cpe/Cab LH	372711	€ 33,32	5	Inner upper door strip, metal, W111Cpe/Cab RH	372721	€ 33,32
10	A1117205778 Door seal C111 cup, Lt. ear	372101	N/A	10	Door seal C111-2 coupe/cabriolet right	372200	€ 255,49
10	A1117205878 Door seal C111 cup.Rt. earl	372201	N/A	10	Door seal C111-2 coupe/cabriolet left	372100	€ 255,49
13	window slide rail, 2m	372525	€ 49,98	15	1m profile, quarter-glass to inner-fram	372135	N/A
20	Triangle window gasket C111/2 right	372230	€ 178,50	20	Triangle. window. gasket. C111/2 left	372130	€ 178,50
21	Side wind. seal W111 coupe Rt.	372211	€ 89,00	21	Side wind. seal W111 coupe Lt.	372216	€ 102,99
21	main body seal kit W111-2, Cpe, OE-quality	372600	€ 1.212,94	23	Seal A-pillar Cabriolet 540mm	372550	€ 25,20
23	Abdichtgummi W111 Cabrio, right	372215	€ 83,90	23	Seal W111 Cabrio, left	372210	€ 83,90
24	A1137250141 Clip, rail, Lt./Rt.	272722	N/A	36	Plug, e.g. upper trim at door W111 Cpe/convertible	372082	€ 2,56
37	plug, red, see pict	772008	€ 0,45	40	assy see pict: same as MB assy	272752	€ 10,88

41	Rubber sleeve for door glass cover,hand wheel, seats up to 07.'67, others	272075	€ 2,50	42	123		
44	Window crank handle 63-70 replacem	291639	€ 34,45	46	Guide jaw W111C, at window rail	372009	€ 26,99
46	Window crank handle 63-70 replacem	276001	€ 133,64	47	Window crank handle 63-70 replacem	276901	€ 49,50
51	Screw, door catch surround M4 x 10	777029	€ 1,90	51	Crank Pad 06.63->01.70 black	276090	€ 17,49
53	Ctr sunk screw @ 272033/044/300/400	272034	€ 1,44	55	1 pair door catch garnish 113,111Cab/Cp,C107 early	272815	€ 109,00
55	Door catch RT. 07.61->'67 3-hole	272022	€ 91,25	56	Door catch Lt. R113 07.61->'67 3-hole	272055	€ 91,45
56	Threaded door catch support	164055	€ 72,91	56	A1007230211 Plate, R113 67->, milled	272012	N/A
58	A1157200504 Door catch Lt. R113 late, 1	272021	N/A	57	Screw, 6x16 e.g. door catch, ..	777021	€ 1,24
59	distancer 0,5mm flat , door catch '69->	872012	€ 4,76	58	A1157200604 Door catch Rt. R113 late, 1	272020	N/A
65	Locking handle assy, inner door ->'67 L	172193	€ 109,78	59	Distancer, 1,5mm, door catch '69->..	572012	€ 4,75
65	Chrome handle for int.locking repair	172195	€ 59,99	65	Locking handle assy. inner door ->'67 R	172194	€ 109,78
66	Door lock escutcheon plate	176066	€ 78,53	66	Door lock escutcheon plate	176866	€ 36,62
67	Cover tab chromed for 176066	172168	€ 9,98	67	Chrome cover @ lock-lever	172868	€ 15,10
68	Opener handle inner RH ->'67 (230,250FN)	276112	€ 174,76	68	Opener handle inner LH ->'67 (230,250FN)	276111	€ 174,76
69	Insert opener handle, round style	276755	€ 9,40	68	Phillips screw, half-round head, M6 x 16	990109	€ 0,34
70	Escutcheon, opener handle RH ->'67 optical error on	276060	€ 129,70	69	Insert opener handle, round style	276855	€ 11,72
75	Opener handle inner RH '67-> (250FN,280)	276012	€ 289,99	70	Escutcheon, fits opener handle LH ->'67	276050	€ 129,70
76	Late right Insert black 250-280SL	276010	€ 19,99	75	Opener handle inner LH '67-> (250FN,280)	276011	€ 289,99
77	Opener chrome frame, from 1967, LH	276007	€ 27,97	77	Opener chrome frame, from 1967, RH	276008	€ 55,70
79	clips, may replace 198004	298004	€ 1,13	78	A1087660390 Insert, late FN, Lt.	276009	€ 19,99
80	Recess, 280SL, 250SL 02980->	276013	€ 162,48	79	clips for door actuator link wires	198004	€ 27,04
84	Rubber rod guide 190SL, R113, 111Cpe/Cab	298005	€ 5,55	81	A1137200693 Int.handle ass. FN	272014	N/A
86	Rubber handle-tail, 113:LH / 111:RH	276810	€ 5,68	84	Rubber rod guide 190SL, R113, 111Cpe/Cab	298705	€ 5,95
87	Rubber handle-frt, 113:LH / 111:RH	276830	€ 4,97	86	Rubber handle-tail, 113:RH / 111:LH	276820	€ 5,68
91	Handle, key, fits up to 11.'78 ca	789190	€ 8,62	87	Rubber handle-frt, 113:RH / 111:LH	276840	€ 4,97
				92	A00076611069999	276212	N/A

75 Bootlid W111-108

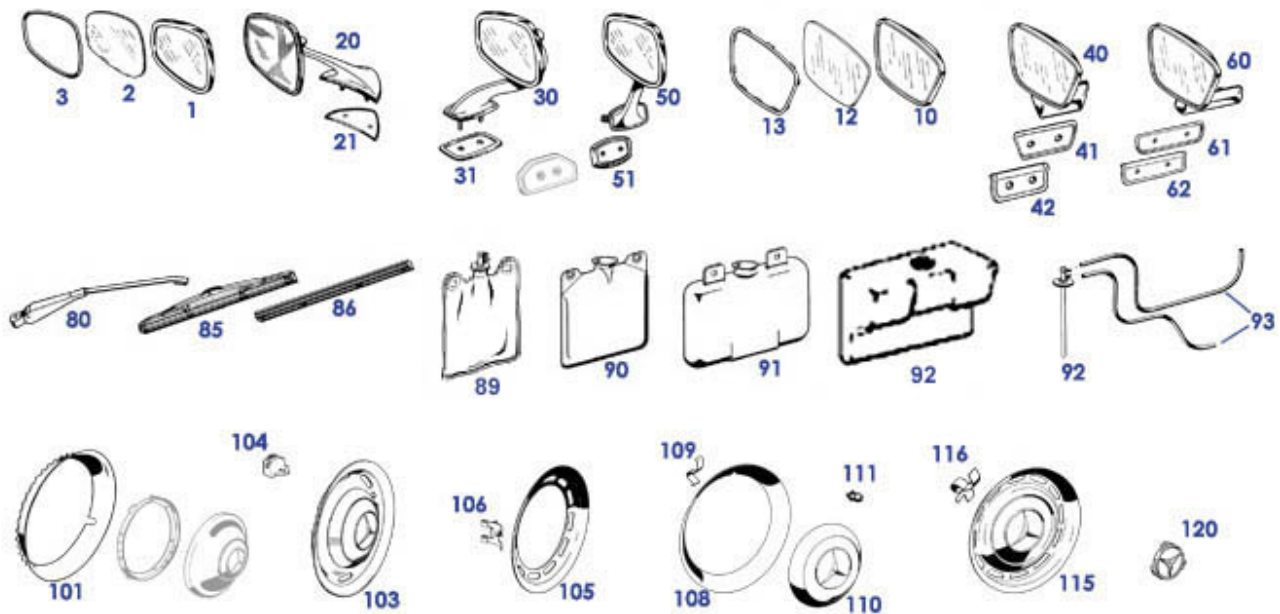
75 Bootlid W111-108



	Rubbergrommet, heat.return Rt. or drain 108boot	799003	€ 13,01	10	Handle, chrome, trunk lid	275010	€ 160,00
11	Rbr underlay,boot lid handle 113,111,10	275011	€ 7,82	20	A1117508077 Boot seals, W111, Cabrio	375020	N/A
20	A1087500077 Boot seal W108/109 134cm	875022	N/A	20	Boot seal W111 coupe	375021	€ 162,90
20	Boot seal, fits 4-door	375022	€ 140,00	20	Boot seal W108/109 , reproduction	875822	€ 60,12
30	A1117505184	375030	N/A	31	A1107580105	375034	N/A
31	Underlay rubber, trunk lock 111Cpe/Cab	375831	€ 8,84	43	Buffer, conical shape, boot lid div.	398043	€ 1,65
47	111, C107, not Roadster 107	398795	€ 2,30	50	A1107500185	375037	N/A
51	shim 1mm, catch underlay, height adjustment	375039	€ 8,01	52	A1239870040	898795	N/A
70	A1107580058	375011	N/A	70	A1117585158	375010	N/A
71	Rubber washer	175012	€ 1,11	80	Licence plate underlay, fr./rear, s-steel polished	588088	€ 11,90
80	A1158170378	588988	N/A	81	rbr buffer, rr lic plate, ... ref 1089870540	898044	€ 7,90
82	A1089870042	898045	N/A	85	Clip, 'Automatic'	281024	€ 0,20
86	O-Ring blk rubber, eg Type signs	281027	€ 0,13	90	Typenschild: 230S	381024	N/A
90	Typenschild: 250S	881001	N/A	90	A1088170115	881002	N/A
90	A1088170215	881003	N/A	90	Typenschild: 280SEL	881005	€ 94,26
90	A1098170315	881008	N/A	90	A1098170215	881011	N/A

81/86 Outer Mirror, Wiperblades, Wheel Trim

81/86 Outer Mirror, Wiperblades, Wheel Trim

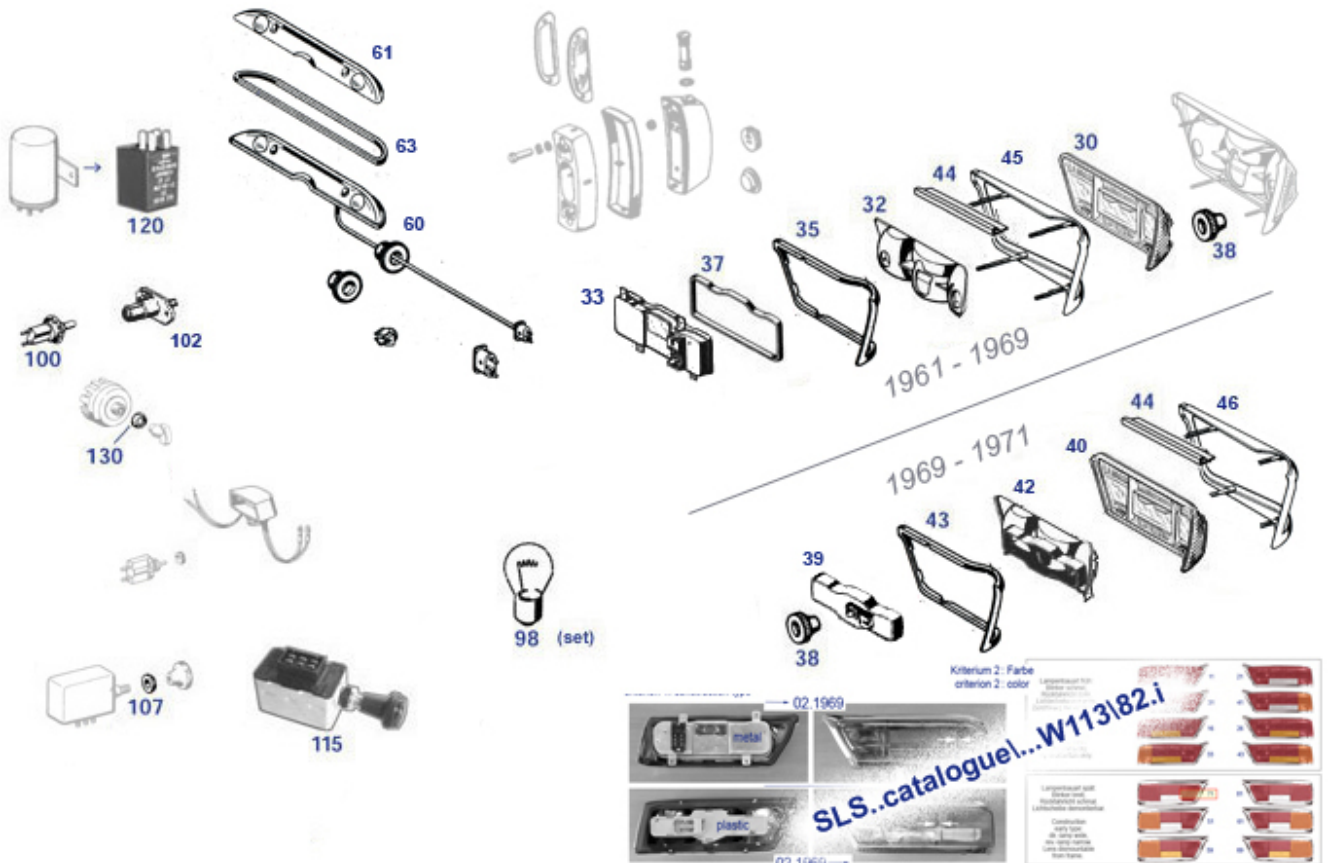


	A1204010171 Wheel mounting stud Typenschild: 230S	140005 381024	N/A N/A		cover wiper arm 129, 124 Left sun visor w/o Brackets (late version)	982228 881123	N/A € 190,00
	Wheel bolt+cap,alloy whl.to 85	740005	€ 1,90		A1158690121 mech pedal washer pump w.sw	586020	€ 431,60
	Ball head seat, hex 17, length ca. 20mm	240005	€ 1,59		Wheel lug nut, 190SL, Ponton	199022	€ 0,79
	Mirror head '67->, LH, quality deficits, Repro	281851	€ 41,11		Mirror head '67->, RH, quality deficits, Repro	281852	€ 41,11
	Right sun visor w/o Brackets (late version)	881124	€ 190,00	1	Mirror head ->'67, Repro, clear	181125	€ 47,10
1	Mirror head ->'67, Repro, tinted	181025	€ 43,64	2	Replacement glass, tinted	181026	€ 23,80
3	A0008110165 Replacement nylon bezel	181027	€ 14,70	10	A1158100116 Mirror head, Lt. late	281051	N/A
10	A1158100216 Mirror head, Rt. late	281052	N/A	12	Mirror glass, flat, tinted, fits late m	281061	€ 23,80
13	Ring, glass retention, 1967-> (trapez)	281062	€ 17,26	20	Outside mirror, sedan, Rt.	481020	€ 88,38
20	Outside mirror, sedan, Lt.	481010	€ 88,38	21	Seal, outside mirror, Lt.	481011	€ 10,40
21	Seal, outside mirror, Rt.	481021	€ 9,98	30	Rear view mirror, Lt. early, B-quality	281030	€ 101,45
30	Rear view mirror, Rt. early, B-quality	281040	€ 100,90	31	Rubber pad mirror ->'67, fits L/R	281035	€ 2,64
40	Outer right .mirror C111, W108/9	881060	€ 125,97	40	A1088101516 Ot.mirror C111, W108/9 Lt.	881050	€ 160,65
41	Mirror underlay "trapezoid" '67->	281855	€ 2,56	42	Hidden bracket, door mirror late	281056	€ 14,40
50	Ot.mirror 250S,SE+300SE left early	881030	€ 317,19	52	Hidden bracket, door mirror early	281057	€ 13,39
60	A1088104016 Mirror RH,wing mounted, ext	881065	N/A	60	Early outer right mirror W114 + W115 (up to 07.197	581040	€ 87,36
60	A1158100516 Ot.mirror W114/115 Lt. earl	581030	€ 87,36	61	A1158110196 Underlay ot.mirror W114-5 e	581035	N/A
61	Underlay ot.mirror C114 early	581036	€ 6,25	62	Strengthen, mirror fastening W114 / W115	581056	N/A
80	A1108200844 W'wiper arm C111 Rt.	382240	N/A	80	A1168202544 W'wiper arm W116 Lt.	682210	N/A
80	W'wiper arm W/C114, W115 Rt.	582220	€ 102,52	80	A1158201344 W'wiper arm W/C114, W115 Lt	582210	N/A
80	Chrom-Überwurfmutter f.Zapfenschlüssel	382244	€ 43,44	80	A1138200444 Wiper arm, Rt.	282220	N/A
80	A1168202644 W'wiper arm W116 Rt.	682220	N/A	80	A1138200344 Wiper arm, Lt.	282210	N/A

80	Wiper arm 190SL	182095	€ 106,20	80	Tool, wiper link shaft greasing	258826	€ 65,45
80	A1088200644 W/wiper arm W108/109 Rt.	882220	N/A	80	A1108200744 W/wiper arm C111 Lt.	382230	N/A
80	A1088200544 W/wiper arm W108/109 Lt.	882210	N/A	85	1 pce W'blade,280-500SL, 350/450SLC FN	782230	N/A
85	Wiper blade, 280SL from 001200	282230	N/A	85	A1168200445 W'blade 280-500SLC Rt.	782236	N/A
85	Wiper Blade 108-109, 114-115	882730	€ 49,40	85	A1108200345 Wiper blade, W/C111-112	382220	N/A
85	Wiper blade, single piece, 108-109, 114-115	882230	€ 47,59	85	A1108200245 Wiper blade C111 late	382222	N/A
85	Wiper Blade 330mm W113 (late Version) & C111	382722	€ 49,21	86	Wiper rubber, 280SL (late) 327mm	282234	€ 23,81
86	W'blade rubber 450mm fits Bosch	782232	N/A	86	N/A ! W'blade, rubber 280-500SLC L 400mm, 114, 115, 108, 109 , fits genuine Bosch-V	782239	N/A
86	Rubberstrip, 190SL wiperblade, 280mm	182061	€ 22,49	86	WS washer tank, repro with cap	582233	€ 11,90
86	Wiper blade rbr. 230S	382233	N/A	89	Washer bag early, w. alu-cap see 186705+186706	186705	€ 249,90
89	Washer bag, e.g. 190SL early	186706	€ 174,99	89	see 186705+186706	186005	N/A
90	A0008692120 VDO-Washer tank by MB	186010	N/A	90	WS washer tank, repro with cap	186810	€ 87,26
91	Washer water tank 108, 111	386010	€ 89,25	92	Washer bag cap w.valve e.g to 186015, B-Quality	186015	€ 18,86
92	A1088690020	886010	€ 149,00	93	Hose, w'washer, flex.,per metre	186040	€ 1,84
101	Wheel trim ring, 13", s.steel, Repro	181130	€ 46,99	101	"Wheel trim ring chromed, 13"	181030	€ 104,90
103	A1804000225 "Hub cap 13" 220S/SE Ring w	440010	N/A	103	A1864000225 "Hub cap 15", 300b...ring w	440040	N/A
104	A1884000026 "Clip, 15" wheel trim "	440012	N/A	104	A1804000426 Bracket for hub cap	440011	N/A
105	A1114010024 Dec. ring,wheel, 13", chr.	340010	N/A	106	A1114010428 Clip, 13'wheel trim	340020	N/A
108	as genuine: mounting clips required	240810	€ 65,45	108	"Decorative ring,stainless.14"	240013	€ 47,01
108	"Dec. ring,wheel, 15", chr."	440020	€ 105,90	108	Wheel rim trim, 14', chromed mild steel	240110	€ 100,00
109	A1114010528 Clip, for chrome dec. ring	340022	N/A	109	Spring clip, fits orig. 14" wheel decoration ring	240020	€ 2,88
110	A1864010025 Chrome hub cap orig., unpai	181035	N/A	111	A1104010174 Hub cap bolt	140010	N/A
115	"Hupcab 14", stainless steel orig."	240040	N/A	115	A1154010424 "Hub cap, 15" spring clip for wheel cover 14" 1968->	740040	N/A
115	A1154010324 "Decor.hubcap'68-'85,14"chr	240045	N/A	116		240041	€ 3,13

82.c Tail Lights W111-2-door (Cab/Cpe)

82.c Tail Lights W111-2-door (Cab/Cpe)

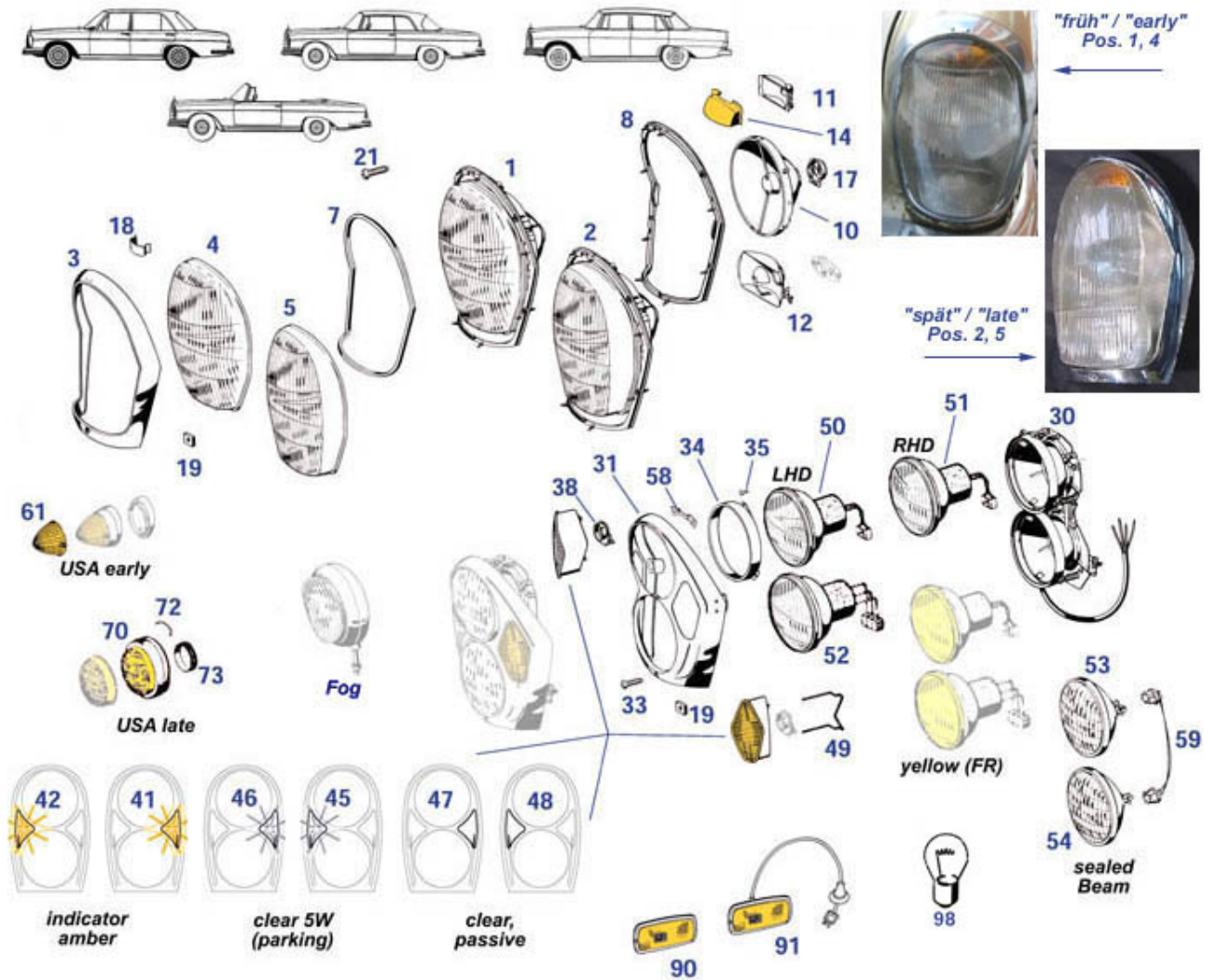


	clip, e.g. wire fixture 190SL, R113, R/C107	254874	€ 1,50		Knob,small,heater blower switch, see picture	382825	€ 61,90
	Spring clip for Rt.+Lt. cable	254071	€ 0,83		A0085452028 Cable connector, 1 pole,und	254078	N/A
	inner housing female 1pole, to combine with 754198	754196	N/A		Knob, A/C-vent, green dot	382027	€ 52,30
30	Tail Lamp Lens - Left	282111	€ 143,99	30	Lens w.o. frame, red/red, Rt.	282121	€ 143,99
30	Left Tail Lamp Lens w/o. frame, red/yellow	282131	€ 143,99	30	Taillight lens early LH rd/ye/ye (FR)	282133	€ 143,99
30	Right Tail Lamp Lens w/o. frame, red/yellow	282141	€ 143,99	30	Taillight lens early RH rd/ye/ye (FR)	282143	€ 143,99
32	Reflector RH, taillight "early style"	282108	€ 81,00	32	Reflector LH, taillight "early style"	282109	€ 81,00
33	Lampholder '63 - '69 right side	282114	€ 155,99	33	Lampholder '63-'69 left side	282115	€ 155,99
35	Seal, taillight LH, 220SEb/C	382117	N/A	35	Seal, taillight 220SEb/C RH	382118	€ 45,99
35	Seal, taillight LH, 220SEb/C	382817	€ 99,90	35	Seal, taillight 220SEb/C RH	382818	€ 99,90
37	Seal Rear Lampholder/Bracking Board (61cm) / ->	282119	€ 4,74	38	Milled plastic nut, rr lamp 108/111	382855	€ 3,34
38	Milled M5 nut, plastic, white	282655	€ 7,04	40	Lens rear light LH. 69-> red-yellow	282151	€ 189,39
40	Lens rear light RH. 69-> red-yellow	282161	€ 189,39	42	Mirror, fits LH taillight "late style"	282158	€ 133,99
42	Mirror fits RH taillight "late style"	282168	€ 133,99	43	seal taillight left	382217	€ 59,50
43	seal taillight right	382218	€ 59,50	44	Rubber profile,1m rear lights, R113	282157	€ 8,22
46	Chrome bezel tail lamp 111cpe/conv RH late repro	382162	€ 254,90	46	Chrome bezel tail lamp 111cpe/conv LH late repro	382152	€ 254,90
60	Lic plate light 111	382005	N/A	61	Chrome cover, lic plate light 108-111	382006	N/A
63	rubber, licence light @ bumper 111,108	382053	€ 9,00	64	Grommet, 5/25,bulkhead	299012	€ 2,09
66	holder plug, lic plate lamp wiring 111-108	398822	€ 13,15	98	Bulb 12V 15W BA15S, halo modernized	399083	€ 3,69
100	A0008210252 Door switch, version flat poles	182021	€ 28,98	100	Rubbershim @ door switch	182121	€ 12,50
100	Door switch round pin connectors	282721	€ 60,75	100	Door switch, Reproduction	182821	€ 26,00
100	Switch, flat connectors	282031	€ 10,21	102	Trunk(boot) light and switch '59-'85	282022	€ 40,58

102	Bulb, e.g. trunk light	282033	€ 2,50	106	as long as stock lasts! el. connector (fem) 6-pol	254984	€ 27,67
106	Upgr. hazzard flasher Hella with wiring	982834	€ 183,25	106	Emerg. flasher sw.280SLIt comp	282030	N/A
106	switch, stroke timer,6 flat poles, fits 982035	982034	€ 157,15	106	pigtail harness fits emergency switch 982034	982035	€ 52,30
107	Escutcheon, emerg. flasher switch	282035	€ 10,28	120	NLA: Turn signal transmitter (metal), Lucas	182701	N/A
120	crimp connector	997992	€ 0,43	120	Turn signal transmitter (metal), Bosch	182001	€ 67,29
120	Flasher relay, see pict, pin position changed	254060	€ 39,91	120	Turn signal transmitter	254760	€ 42,39
120	Housing, fits up to 5 crimp-shoes	554070	€ 0,71	120	universal flasher relay 12V 4x21W Bosch, flat pole	582070	€ 42,95
120	A0008211063	254860	N/A	121	113: Handschuhkasten, 107: Feststellbremse (254101	€ 402,03
129	A1105451137 Knob, plastic, light switch	254035	N/A	130	Nut, chrome, light switch	254043	€ 12,79
150	Rubber seal lic light lens early	182051	€ 10,39	199	Bulb 12V / 10W, torpedo, total length 44	299094	€ 0,51

82 Headlamp S/SE/SEb/SE C

82 Headlamp S/SE/SEb/SE C

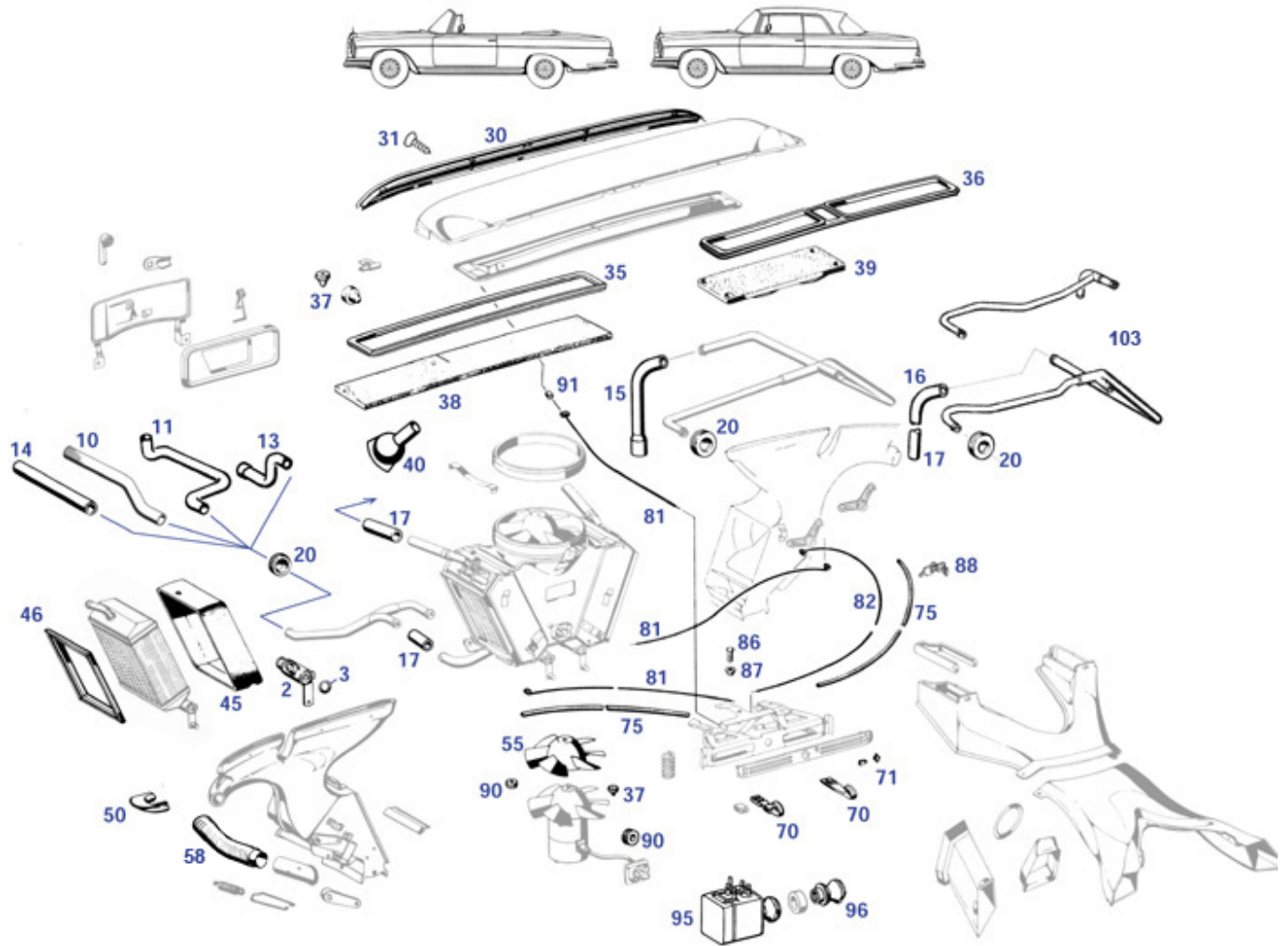


	Philips 11342U6000X2 LED	799191	€ 139,99	Headlamp inserts 4pcs Halogen, only RHD	882952	N/A	
	Leuchtmittel Ultinon Pro6			rubber, licence light @ bumper	382053	€ 9,00	
	Euro H4 lamp insert, LHD, w.parking lamp option	782747	€ 36,50	111,108			
	1 pair aux lamp accessory chrome round H3 unit	382328	€ 319,99	el connector 2 pole, male, e.g. licence lamp 111,1	354183	€ 12,00	
	Milled plastic nut, rr lamp 108/111	382855	€ 3,34	Foam shim, wiper motor to firewall W111	382248	€ 10,95	
1	A1088200061 "Light unit, LHD "clubshap	882000	N/A	1	A1088200161 "Light unit,RHD , "Club", ea	382003	N/A
2	A1088201961 "Light unit,LHD , "Club", la	382004	N/A	3	A1118260089 Dec.surround for light unit	882010	N/A
4	A1088260190 Diffuser W108-9 W/C111-2 LH	882001	N/A	4	A1118260490 Diffuser,W111-2,C111-2 earl	382002	N/A
5	A1088260790 Diffuser W108 late	882002	N/A	8	A0008265580 Gasket, headlight	882006	N/A
10	Reflector for H4 repair	382801	N/A	10	Reflector fits dropshape headlamp	382071	€ 85,68
11	A0008261278 Direction indicator reflect	382076	N/A	12	A0008260078 Fog light reflector	382078	N/A
14	A0008260357 "Direction ind. glass108/11	382075	N/A	17	Lamp holder	282072	N/A
18	A1119930125 Clip for dec. surround	882088	N/A	19	A1119900052 Nut, square, headlamp	382014	N/A
21	A1119900121 Bolt, back plate / wing	399082	N/A	30	A1088207361 Backplate, headlamp unit	882026	N/A
31	A1088260389 Dec.surround for light unit	882011	N/A	31	Dec.chrome surround for double light unit	882811	€ 267,04

33	A1088260171 Screw for dec.ring 108/111	882014	N/A	34	A1118260389 Chrome ring, H1 lamp	882012	N/A
35	plastic washer PA 3,2	882015	€ 0,15	35	Hex. socket head cap screw, low head, zinc plated	882013	€ 0,21
38	A0008265382 Lamp holder, parking light	882076	N/A	41	A1088260390	882921	N/A
41	Amber light insert, LH., late, repro	882721	€ 126,28	41	Ind. light insert, lt., late /SE	882021	N/A
42	A1088260490	882922	N/A	42	Amber light insert, RH., late, repro	882722	€ 126,28
42	Ind. light insert, rt., late /SE	882022	N/A	45	Parking light insert, LH., late, repro	882723	€ 126,28
45	Parking light insert, lt., late /SE	882023	N/A	46	Parking light insert, RH., late, repro	882724	€ 126,28
46	A1088260690 Parking light insert, rt.,	882024	N/A	47	A1118260590 Insert,lamp surround, lt.	382025	N/A
47	Insert for lamp bezel, LH. clear, with no lamp sup	382725	€ 110,50	48	A1118260690 Insert,lamp surround, rt.	382026	N/A
48	Insert for lamp bezel, RH. clear, with no lamp sup	382726	€ 110,50	49	A0008260884 Spring, ind. & parking ligh	882025	N/A
50	A0008262999 S'beam h'light, Eu. LHD, ou	782140	N/A	50	Euro H4 lamp insert	782746	N/A
51	A0008263199 S'beam h'light, Eu. RHD, ou	782141	N/A	52	LHD (RH traff) high-beam lamp, convex	782745	N/A
52	A0008263299 S'beam h'light, Eu. inner	782145	N/A	53	A0008265599 Sealed beam US hi-lo lamp	782130	N/A
54	A0008265499 Sealed beam h'light, US, in	782131	N/A	58	A1118260012 Clamp for decorative ring 8	882098	N/A
59	A0008210124 "Cable and plug, "Sealed Be	882029	N/A	61	A1118260790 USA direction ind. glass,fr	382055	N/A
70	A1088200020 USA direction ind., front,	382056	N/A	72	Spring,retention,ind. reflector	382031	N/A
73	A0008266680 Gasket, direction indicator	382058	N/A	90	A0008260741 Side reflector, fr. Lt., ye	282097	N/A
90	A0008260841 Side reflector, fr. Rt.,yel	282098	N/A	91	A0008260441 Side refl. fr. Rt.,yel.illu	282094	N/A
91	A0008260341 Side refl. fr. Lt.,yel. ill	282093	N/A	98	Light bulb 12V/2W, BA7s	299079	€ 1,99
98	Bulb 12V / 21W direction indicator	299085	€ 1,25	98	N072601012600 see 399083	299086	N/A
98	Halogen bulb H4 55/60 watts (P43t)	799090	€ 2,96	98	Bulb, 55W H1, e.g. 113 if Halogen equipped	299090	€ 2,89
98	Bulb, e.g. trunk light	282033	€ 2,50	98	light bulb 12V/2W, BA9s, eg. Instruments	254033	€ 2,20
98	Bulb 12V/18W direction indicator	299087	€ 3,33	98	Bulb, passenger compt. 3W, NoName	299096	€ 1,79
98	Bulb, 55W Halogen H3,fog light	299091	€ 4,52	98	Bulb, 40/45W, Bilux	299092	€ 3,99
98	Bulb, 35W, Fog light	299093	€ 8,32	98	Bulb 12V / 10W, torpedo, total length 44	299094	€ 0,51
98	Light bulb 12V/2W BA9s, long shape	299095	€ 3,45	98	Glühlampe 12V 10W	799089	€ 0,44
98	Bulb 1.2W, glass socket, switch-knob, cockpit	299097	€ 1,79	98	Bulb 12V / 5W, torpedo, total length 38	299098	€ 1,54
98	Bulb, parking light, 12V/4W, BA9S	299099	€ 1,39	98	N072601012210	399085	N/A
98	Bulb 12V / 3W, torpedo, total length 30	226102	€ 2,53	98	Bulb 12V/0,5W, see picture	799083	€ 1,52

83 Heater System W111 Coupe/Cabriolet

83 Heater System W111 Coupe/Cabriolet

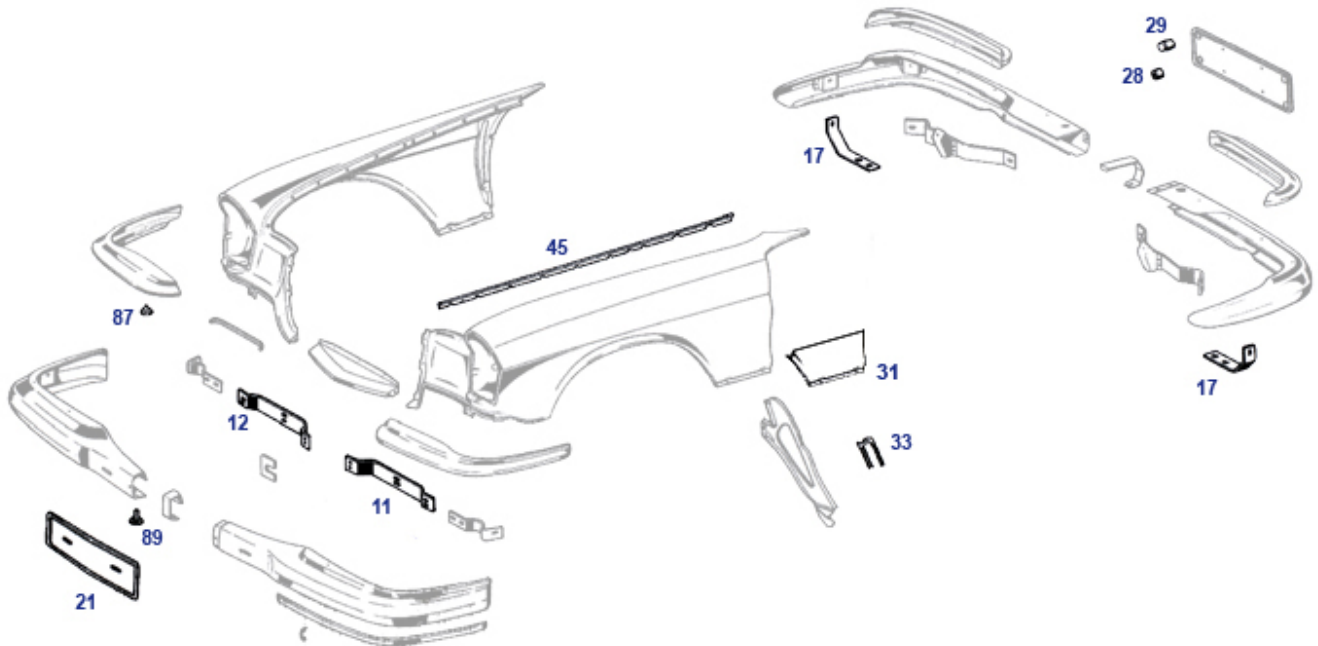


	A1088310594	250029	N/A	A1118330440	383402	N/A	
	Set 2pcs heater tubes,	483800	€ 275,00	see 483100 identical product	483100	€ 398,30	
	Pontoon-6-Cyl., 220a/S/SE,	883809	€ 80,55	A1088310294 see 250806	250006	N/A	
	replacement: fan motor, without						
	blade						
2	A0008350420	383016	N/A	2	A0008350320	383015	N/A
3	Sealing ring, heater valve	283022	€ 2,31	3	A0008354898 Seal ring, heater	883022	N/A
					valve 108		
10	A1088310094 Water hose 2.2/2.5	850006	N/A	11	A1088310494 Water hose	850020	N/A
	CylH->he				CylH->heater in		
13	A1098310694 Water hose V8	850008	N/A	13	A1098310494 Water hose V8	850009	N/A
	CylH->heater				CylH->heater		
15	Heater return hose, S-shape	250806	€ 13,01	15	see 250028	350028	N/A
	w.reducer						
16	CL hose, bent, no reducer, heater	250829	€ 26,03	17	Water hose, i/D 18mm per metre	250019	€ 19,10
	retur						
17	1m water hose 15 x 24mm	350016	€ 19,99	20	Rubber grommet, return	299004	€ 0,50
20	Rubber grommet	299005	€ 2,59	30	A1118300218	383020	N/A
31	Screw, grille/bodywork	283021	€ 1,90	35	Seal, heater duct, W111 cpe/cab	383110	€ 79,49
36	Gasket, air duct flap	383112	€ 58,25	37	Rubber buffer 5mm,121,113,10	298066	€ 0,89
	W110/112-4-door						
38	A1118315065	383111	N/A	39	A1108300518	383113	N/A
40	Ball Grommet for Bulkhead	283032	€ 25,75	45	Seal heat exchanger	383080	N/A
	Drainage Pipes						
46	Seal heater exchanger	383070	N/A	50	Rubbermount, defroster air duct	283837	€ 3,69
					R113, 110/111 div.		
50	del-t: sponge mount	283037	N/A	55	A0008350785	383013	N/A
58	1m heater vent hose ID 32	383036	€ 107,09	70	Heater control lever, chrome	183401	€ 82,00

70	Heater lever, plastic, e.g. W111 Cpe/Cab	383802	€ 6,13	71	Blue insert for escutcheons	183303	€ 3,95
71	Red insert for escutcheons	183302	€ 3,99	75	1m cable coil, outer	183072	€ 3,52
75	A1118336130	383003	N/A	81	A1108330331 Wire 610mm, w.o. coil	883033	N/A
82	A1218330431 Heater cable inner Rt.	183044	N/A	86	n.a. Clamping screw at cable ends	183053	N/A
87	Bushing, cable fixing	107029	€ 3,45	88	Handle, fresh air vent	883819	€ 29,14
88	rest: Clip, bowden cable, see 775858	775158	€ 3,57	90	A0009976181 Rubbergrommet 7/10mm, blowe	398787	€ 4,11
90	Grommet, 4,5/10mm, cable@wheelarch	182005	€ 2,53	91	A1093270059	399008	N/A
95	Switch, heater blower 4-Pin=3-Pole, reproduction	282024	N/A	97	A1108201592 Knob, heater blower switch	282026	€ 59,99
97	Knob, heater blower switch, Repro, optical shortco	282826	€ 68,29	97	Knob small, heater blower switch, see picture	382826	€ 61,90
97	Knob,small,heater blower switch, see picture	382825	€ 61,90	103	Return pipe, heater 111 3.5	383105	€ 166,60
103	return water pipe M116.98xx	783885	€ 49,98	103	Pipe, 116.984 heater return	783384	N/A
103	Return pipe, heater 111 2.2	383103	€ 179,62	103	Return pipe, heater 111 2.8	383104	€ 178,55

88.c Body attachments W111 late style

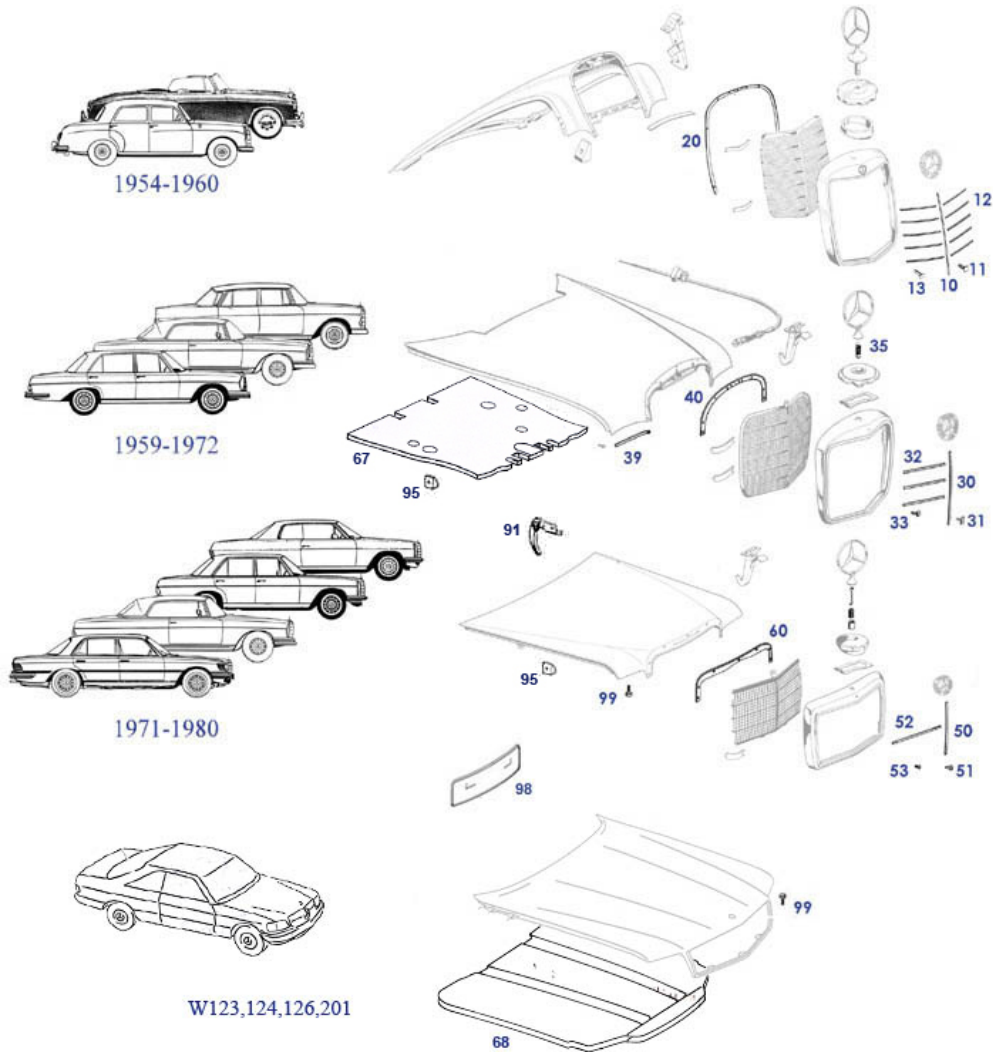
88.c Body attachments W111 late style



	opener cable, bonnet, repro to A1088800159	888004	€ 95,99		ctr cover panel betw. frt wings below grille C111	388193	€ 71,40
	Rep.-panel frt wing RH, rear section, W108+9	888023	€ 53,55		Rep.-panel frt wing LH, rear section, W108+9	888013	€ 53,55
11	Bumper bracket late Cpe frt inner LH	388150	€ 63,72	12	Bumper bracket late Cpe frt inner RH	388160	€ 63,72
17	Bumper bracket L or R, outer	388126	€ 93,89	21	License plate, 52,50cm unchromed	188091	€ 46,91
21	License plate, 52,50cm chromed	188090	€ 138,61	21	chrome license plate holder 40cm	188895	N/A
21	License plate, 40cm unchromed	188094	N/A	21	A1108850081 No./Licence plate underlay	288089	N/A
28	A1089870042	898045	N/A	29	rbr buffer, rr lic plate, ... ref 1089870540	898044	€ 7,90
31	N/A ! Rep. Sheet metal front left between door and	362171	N/A	31	Rep. Sheet metal front right between door and wheel	362181	N/A
33	Panelling screw 5,5 x 16 (hex head 8mm)	288059	€ 0,60	33	2,5mtr round sealing strip Terostat IV, 10mm	599995	N/A
45	N913008006300	388018	N/A	45	pan head tapping screw zinc plated 3,9 X 13	188889	€ 0,25
45	Rubber buffer, e.g. grille to wing	898201	€ 2,59	45	Multi-Purpose Adhesive Insulation Seal	298001	€ 10,95
87	Distancer shim, between lower+upper bumpers	388209	€ 6,84	89	dummy pin, chrome plated 12mm head	988105	€ 2,31
89	dummy pin, chrome plated 22mm head	988106	€ 2,62	89	Join plate screw M8 e.g. bumper joints	288105	€ 1,20

88 Front Grille Trim

88 Front Grille Trim



	A115860388 Repr. kit with Mercedes-Sta	588005	N/A		A1085860388 Star, on bonnet (hood) (rep)	888005	N/A
	A1158800388 Emblem on rad. grille	581012	N/A		A1158800288 Emblem on rad. grille	581011	N/A
	A1158800188 Emblem on rad. grille	581010	N/A		A1168800288 Emblem fr. on rad. grille	681010	N/A
	Repr. kit with Mercedes-Star late	588007	N/A		A1118885098 Underlay, rbr., rad. grille	388615	€ 38,73
	A1088800088 Emblem,rad. grille W108-112	881010	N/A		A1165860188 Repr. kit with Mercedes-Sta	688005	N/A
	Ground strap, bonnet 107, 111, 108	754888	€ 29,37		A1808880109 Star, on bonnet (hood)	388005	N/A
	Rep paddle, hook release, bonnet 123	588041	€ 2,56		ctre cover panel betw. frt wings below grille C111	388193	€ 71,40
4	opener cable, bonnet, repro to A1088800159	888004	€ 95,99	10	Trim set for grille mesh, "compilation 180"	488845	€ 148,75
10	A1808880221 Dec. strip, vert., grille m	488110	N/A	11	Clip, on rad. dec. strip	398178	N/A
11	A0019885678 Clip,grille dec.strips,vert	588252	N/A	13	Clip, rad. dec. strip	398179	N/A
13	A0019887478 Clip, for horiz. dec. strip	488259	N/A	30	Trim set for grille mesh, "compilation 110"	388845	€ 167,79
30	Trim set for grille mesh, "compilation 108"	888845	€ 179,57	30	Decoration strip, vertical, fits "high-grille / na	388250	€ 44,99
30	A1118885385 Dec. strip on grille, vert.	388251	N/A	32	Dec. strip, horizontal, gri	888240	€ 19,75

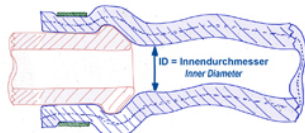
32	Dec. strip am rad. grille , transv.	588240	N/A	33	Rubber buffer, e.g. grille to wing	898201	€ 2,59
33	Clip, dec. strip, late	588242	N/A	35	Spring, for star on rad. grille	388007	€ 4,17
39	small special bolt. e.g. trim at bonnet 110/111 FN	488258	€ 18,39	39	A1118810544 Dec. strip W111, fr. wing,	388180	N/A
40	Washer, e.g. screws @ mesh	299045	€ 0,21	40	Bonnet catch, long neck	388002	€ 408,88
40	Blechmutter, 111-Grill an Haube	388219	€ 0,36	40	A1088880098 Underlay, rbr., grille/bonn	888215	€ 13,69
50	A1158882385 Dec. strip rad. grille vert	588245	N/A	50	A1158880885 Dec. strip rad. grille vert	588250	N/A
51	Clip, rad. dec. strip	588254	€ 0,60	52	A1158882485 Dec. strip rad. grille tra	588255	N/A
53	A2012112578 A2019882578 clip, vertical	688252	N/A	60	Bonnet catch, short neck, steel	588012	€ 399,92
60	A1158880297 Underlay, rbr. grille/bonne	588215	N/A	60	A1168880097 Underlay, rbr., rad. grille	688215	N/A
60	A1158880097 Underlay, rbr. grille/bonne	588214	N/A	60	A1008880098 Underlay, rbr., rad. grille	388216	N/A
67	A1096820526	868085	€ 215,99	68	Bonnet insulation W201 handle, opener, bonnet	568581	N/A
68	Dämmung Motorhaube 126Cpe	968581	N/A	91	A1238170378 Licence plate back R/C107 f	288015	€ 3,87
95	Buffer, bonnet @ fender slot	788601	€ 1,96	98	1 pair of brackets for the front licence plate W11	788089	N/A
98	A1108850081 No./Licence plate underlay	288089	N/A	98	Licence plate underlay, fr./rear, s-steel polished	588887	€ 18,40
98	License plate, 52,50cm chromed	188090	€ 138,61	98	Buffer M6, see 298201	588088	€ 11,90
98	A1218850181 Chrome reinf., lic. Plate 4	188095	N/A	99	Hex Nut M6 flat shaped	298801	N/A
99	Buffer, bonnets, ..	298201	€ 2,32	99	Clips-Nut e.g. wings frt 108/111-4-door	299291	€ 0,37
105	Bonnet insulation, W126-4-door	968580	N/A	105		898170	€ 0,83

91 Seat komponents fitting 110 up to 116

Foam backrest cushion insert W111	391873	€ 160,65	Leaf spring for rear run	191012	€ 36,71
oval eye, headrest rods	291843	€ 2,90	Foam pad 124 910 1050	591154	N/A
A1239880382 Escutcheon, lower, replaced	791644	N/A	Gummihaarauflage Rückenl.re.Cab.	391180	€ 124,95
Gummihaarauflage Rückenl.li.Cab.	391170	€ 124,95	Gummihaaraufl.Sitzfl.vo.li/re zB111.023	391150	€ 121,38
Metal ring at seat (one side taper sunk)	191055	€ 9,06	Seat catch Rt.	191018	€ 36,88
Seat catch Lt.	191019	€ 36,90	as long as stock lasts! Escutcheon on pivot pin >7	191020	N/A
Headrest foam insert w/o Attachments	291748	€ 58,31	Sunk washer at seat hinge, stainless steel	191716	€ 18,56
Chrome sunk washer at seat hinge	191016	€ 20,88	Knopf, Sitzversteller	191830	N/A
Knob for seat adjuster	191030	€ 19,99	Headrest foam insert w/o Attachments	291648	€ 72,59
Hand wheel,late FN (fits serration shaft)	291635	N/A	Cap für adjuster wheel 230SL late, 250-280SL	291836	€ 49,99
Cap for adjuster wheel 230SL late, 250-280SL	291636	€ 59,50	cover,hand wheel, seats up to 07.'67, others	291639	€ 34,45
Knob, ivory @ R113 seat adjuster	291243	€ 23,80	100pcs Osborne hog clips	991981	€ 6,55

97 flexible hoses, by meter, assorted by inner diameter

97 flexible hoses, by meter, assorted by inner diameter



bitte für Artikelfotos /-Details auf die 6-Stellige Ziffer klicken
for details please click the 6-digits number

Innendurchmesser Inner Diameter mm ca.	Normal-Einsatz usual purpose	Nummer Number
2	Vakuum Vacuum	215027
3	Vakuum Vacuum	780985
3,5	Vakuum Vacuum	715027
3,7	Waschwasser Wash-Wipe	786040
4	Benzin Fuel	247046
4,7	Waschwasser Wash-Wipe	186040
5,5	Benzin Fuel	247047
6,35	Schutz Protection	272875
7,5	Benzin Fuel	247007
7,5	Benzin Fuel	247807
7,5	Benzin Fuel	947046
7,5	Vakuum Vacuum	707028
8	Kühlwasser Cooling Water	250016
9	Benzin Fuel	947047
9,5	Hydraulik Öl Oil (hydraulic)	999020
10	Vakuum Vacuum	943028
11	Benzin Fuel	247005
12	Benzin Fuel	747027
12	Hydraulik Öl Oil (hydraulic)	799020
12	Kühlwasser Cooling Water	250023
13	Wasser Water	778845
14	Benzin Fuel	747029
15	Hydraulik Öl Oil (hydraulic)	299020
15	Kühlwasser Cooling Water	350016
16	Kühlwasser Cooling Water	150019
18	Kühlwasser Cooling Water	250019
22	Kühlwasser Cooling Water	250107
32	Kühlwasser Cooling Water	150104
32	Kühlwasser Cooling Water	150804
38	Kühlwasser Cooling Water	150105
38	Kühlwasser Cooling Water	150805

Normal-Einsatz (Alphabetisch)	usual purpose	Innendurchmesser Inner Diameter mm ca.	Nummer Number
Benzin	Fuel	4	247046
Benzin	Fuel	5,5	247047
Benzin	Fuel	7,5	247007
Benzin	Fuel	7,5	247807
Benzin	Fuel	7,5	947046
Benzin	Fuel	9	947047
Benzin	Fuel	11	247005
Benzin	Fuel	12	747027
Benzin	Fuel	14	747029
Hydraulik Öl	Oil (hydraulic)	9,5	999020
Hydraulik Öl	Oil (hydraulic)	12	799020
Hydraulik Öl	Oil (hydraulic)	15	299020
Kühlwasser	Cooling Water	8	250016
Kühlwasser	Cooling Water	12	250023
Kühlwasser	Cooling Water	15	350016
Kühlwasser	Cooling Water	16	150019
Kühlwasser	Cooling Water	18	250019
Kühlwasser	Cooling Water	22	250107
Kühlwasser	Cooling Water	32	150104
Kühlwasser	Cooling Water	32	150804
Kühlwasser	Cooling Water	38	150105
Kühlwasser	Cooling Water	38	150805
Schutz	Protection	6,35	272875
Vakuum	Vacuum	2	215027
Vakuum	Vacuum	3	780985
Vakuum	Vacuum	3,5	715027
Vakuum	Vacuum	7,5	707028
Vakuum	Vacuum	10	943028
Waschwasser	Wash-Wipe	3,7	786040
Waschwasser	Wash-Wipe	4,7	186040
Wasser	Water	13	778845

Set hose clamps e.g. 280SL, 26 pcs	250289	€ 41,35	Norma-Schelle 39-42mm	950039	N/A
Hose clamp 18-27, worm thread style	999898	€ 4,11	Clamp e.g. Water reservoir late	999996	€ 4,64
Clips, wire @ body	998181	€ 0,90	Schlauchschelle 12mm	950999	N/A
Schlauchschelle 19mm	950998	N/A	Norma-Schelle 45-48mm	950045	N/A
Norma-Schelle 27-30mm	950027	N/A	shorter variations have been replaced by this	750605	€ 5,80
Norma-Schelle 24-27mm clamp, replaced by 747997	950024	N/A	Norma-Schelle 18-21mm	950018	N/A
Hose clamp 46-54mm	750346	€ 1,08	Hose clamp 15mm	947997	€ 3,09
Hose clamp 24-32, worm thread style	999889	€ 1,51	Hose clamp 13mm	747997	€ 1,99
Hoseclamp 30 to 45mm	250046	€ 1,25	1 m water hose i-D 42mm	750705	€ 36,16
spring clamp 22mm	997995	€ 2,32	Fuel hose line, filter to feed-line	747028	€ 6,94
hose clamp, stainless steel, for 20mm	997898	€ 12,79	spring clamp 14mm	747990	€ 1,57
hose clamp for diam. 11mm, stainless steel	999897	€ 2,38	Clamp spring steel 21mm	709399	€ 1,45
clamp, fits e.g. 747004	999896	€ 2,25	hose clamp 10mm	747999	€ 2,33
hose clamp 17mm	747993	€ 1,32	Spring band hose clamp 8.4 - 9.0	786044	€ 0,65
Spring clamp fits 15mm Hose	747996	€ 1,79	1m washer hose ID4mm	986040	€ 1,34
hose clamp 10-16, worm thread style	999888	€ 1,84	hose clamp 12mm	747992	€ 1,32
Hose Clamp 80-100mm, fits air hose	709204	€ 1,32	Double-wire hose clamp 7.8 - 8.3	186044	€ 0,38
			Hose clamp 20-32mm, worm thread style	750042	€ 1,09

	Hoseclamp 12mm to 20mm, worm thread style	250042	€ 2,07		1m metal strip, 9mm clamp	109030	€ 4,00
	Clamp,insulation->intake ->'69	214004	€ 6,99		Clamp,insulation->intake,'70->	214024	€ 4,90
	Clamp, air hose	209004	€ 3,15		Tube clamp	142055	€ 111,00
	Lock / winding clip for 9mm strap	109835	€ 2,84		1m metal strip, 9mm clamp	109830	€ 3,09
	product replaced: Lock / winding clip for 9mm str	109035	€ 2,09	150019	1m Water hose I/D 16mm	150019	€ 16,05
150104	1m waterhose 32x44mm	150104	€ 15,35	150104	coolant hose 32/44, 1m, Continental	150204	€ 55,70
150104	1m waterhose 32x44mm	150804	€ 29,69	150105	coolant hose 38/50, 1m, Continental	150205	€ 61,24
150105	1m waterhose I.D. 38 mm	150105	€ 25,47	150105	1m waterhose 38x46mm	150805	€ 20,83
186040	Hose, w/washer, flex.,per metre	186040	€ 1,84	215027	Vacuum pipe, 2/4mm,per mtr	215027	€ 1,82
247005	1m Fuel hose tank->pump 11/17mm, fabric	247005	€ 10,41	247007	1m. Fuel hose 7,5x13,0 flat surface	247007	€ 8,50
247046	1 m Fuel hose, 4 x 10	247046	€ 4,76	247047	1m Fuel hose 5,5mm e.g. 107-fuel vent.	247047	N/A
247047	1m Fuel hose 5,5mm e.g. 107-fuel vent.	247847	€ 3,92	247807	1m fuel hose 7,5x12,5 fabric surface	247807	€ 7,13
250016	Water hose, 8/15mm per metre	250016	€ 24,50	250019	Water hose, i/D 18mm per metre	250019	€ 19,10
250023	1m cooling water hose 12/19mm	250823	€ 7,14	250023	see 250823	250023	N/A
250107	1m Water hose I/D 22mm	250107	N/A	299020	1m oil hose pws-return line, i.d.15mm	299020	€ 28,75
350016	1m water hose 15 x 24mm	350016	€ 19,99	715027	Pipe, vacuum, per mtr.	715027	€ 5,12
747027	Fuel hose 13 x 20mm, plain mantle	747027	€ 27,19	747029	1m Fuel Hose 14/22mm	747029	€ 37,28
778845	Water drain hose, sliding roof, div.	778845	€ 17,73	780985	1 mtr vacuum hose	780985	€ 3,39
786040	Hose, w/washer, rein.,per metre	786040	€ 2,50	799020	1m PWS oil return hose, 12/18,5mm, from ca. 8.74	799020	€ 34,50
943028	1m rubber hose ID 10mm, 5mm wall	943028	€ 32,78	947046	1m fuel hose ID 7,5mm, surface(outer) fabric	947046	€ 4,99
947047	1m fuel hose ID 9mm, surface(outer) fabric	947047	€ 5,00	947047	1m fuel hose ID 9mm, surface(outer) even, 3-layer	747046	€ 8,09

98.c panelling nuts, mechanical locking nuts

Spring clip nut, 4,2 e.g. glove box	299027	€ 0,43	Nut	999810	€ 1,26
spring lock washer A18, mech. zinc plated	990115	€ 0,31	Plastic clips, linkage, locking, doors, ...	998005	€ 1,44
nut M6 w. flange, zinc plated	799913	€ 0,37	self locking counter nut M12	235228	€ 0,43
clips, may replace 198004	298004	€ 1,13	Cage nut M6, no locking	188835	€ 1,90
Clip, 'Automatic'	281024	€ 0,20	Clip, inner diam. 3.5mm, fits pins 4mm	281026	€ 1,18
Nut	999806	N/A	Klammer Schachtabdeckung, nut, coverings, fits M6 bolts	828129	N/A
Clip nut, trunk hood	175015	€ 19,75	Nut	799097	€ 1,26
Clip nut	188073	€ 0,49	Spring clip nut, 4,2, e.g. wing 107,...	999804	€ 0,95
Sheet metal nut	999815	€ 0,39	Blechmutter, 111-Grill an Haube	299028	€ 0,33
Clip nut	798167	€ 0,43	Nut	388219	€ 0,36
Blechmutter zB Lampentopf, Heizungskast	788099	€ 0,55	speed nut 6,3	798163	N/A
Nut	798164	€ 0,55	Nut for panelling screw	798165	€ 0,67
Nut	798166	€ 0,58	Nut	798170	€ 0,81
speed nut 6,3	999814	€ 0,67	cage nut 4,8, e.g. sun roof	798174	€ 0,36
Spire nut for handle	798739	€ 0,45	Nut for panelling screws 4,2, long shape	799778	€ 0,74
Clips-Nut e.g. wings frt 108/111-4-door	898170	€ 0,83	clip, repair solution rear lamp holder S124	999805	€ 0,51
Nut	999811	N/A		S2482755	€ 26,18

98.d Seal rings of metal or rubber, Fittings

sealing ring, copper 32mm	220829	N/A	O' ring, primary pump, autm.	227047	€ 2,38
Banjo fitting, norm, fits M8	920317	€ 3,88	Hollow screw e.g.M127 breather banjo	309898	€ 25,13
Seal ring, drv piston	143083	€ 2,78	O' Ring tensioner to head	205135	€ 0,55
O'ring,throttle flap shaft, M127/M100	214070	€ 2,20	O-ring, dip stick late (plastic handle)	218119	€ 0,62
O-ring, eng. housg	218412	€ 0,55	O Ring, pressure valve	246145	€ 3,50
Hollow screw M12 x 1,5	747146	€ 2,64	O-Ring blk rubber, eg Type signs	281027	€ 0,13
O-ring e.g. clock underlay	298754	€ 1,25	O-Ring pwr-steerg oil press fitting	299799	€ 3,33
O-Ring Peilstabrohr zB 127.982	301397	€ 1,50	O-ring e.g. Gearbox housg frt FN	399995	€ 2,20
Seal ring diff-out L/R 114/107 2.8 FN	535210	€ 1,29	O-Ring eg 722.004 brake piston cover	727379	€ 2,49
Banjo fitting, fits M12 bolt/7,5-hose	747991	€ 2,77	hollow screw, oil reservoir @ VT27	746089	N/A
O-Ring ABS-sender @ diff housing	735242	€ 1,33	Banjo fitting, norm, fits M18	109816	€ 16,01
example: water pipe at 58-> engines	120831	€ 10,82	workshop fitting for 4.75 lines, male thread, hex	942966	€ 0,57
Rep-fitting PWS oil pipe	G464658	N/A	Rep-fitting PWS oil pipe	G464659	N/A
Hollowscrew M6 x 0,75 x 15, carb. drain pipe	107027	€ 10,95	Hohlschraube zB Leckleitung	107827	N/A
Hollow bolt, eg eng vent ->'55	109018	€ 9,76	Hollow bolt brake cylinder	142018	€ 10,00
Hollow screw e.g.M127 breather banjo-style	309098	€ 19,25	Hollow screw, pipe conn.	142049	€ 11,96
Hollow bolt	142094	€ 4,72	Hollow screw, M14 x 1,5	207276	€ 2,34
Hollow screw, air venting	220010	€ 2,49	Hollow screw,early M16X1,5	220012	€ 6,69
Hollow screw on suction pipe	227022	€ 2,05	Banjo fitting, fits 10mm screw	227850	€ 4,07
O' Ring, diff. housing	735210	€ 1,46	O-ring Vickers pump,housing,reservoirV8	746246	€ 1,87
Seal ring 14mm copper	207886	€ 1,08	Seal Ring gear box drain plug	226047	€ 0,44
Seal ring 14mm Alu	207186	€ 1,08	Copper ring 18mm	214079	€ 0,24
Seal ring 16x20, Alu, e.g. hollow bolts	214078	€ 0,99	sealing ring, aluminium 30mm	215032	€ 0,81
Seal ring 16x20, copper, e.g. hollow bolts	220013	€ 0,17	Sealing ring ID8, eg. for hollow screw	220011	€ 0,10
Seal ring, copper , id 30	220118	€ 1,05	Seal ring 10x13,5, Alu, e.g. sender, hollow bolts	227023	€ 0,50
Copper seal ring	207115	€ 0,18	alu seal ring M12, eg.eng.block @ chain	298712	€ 0,13
Seal ring, sump plug	299303	€ 0,13	Seal ring 10x16, copper	399189	€ 0,68
Seal ring	701299	€ 0,37	Seal ring f. bolt 705004	705005	€ 0,68
Copper seal ring M12 e.g. Autm transm	799303	€ 0,18	Seal ring 14x20x1,5 copper, e.g. oilpan	799306	€ 0,14
Sealing ring	207149	€ 0,88	Alu ring 22mm	199924	€ 0,60
O-Ring pws-reservoir->pump, small	746243	€ 1,20	Copper ring M6, filled	899305	€ 0,83
Seal ring, sender in reservoir	750049	€ 4,57	O' ring, primary pump, autm.	727047	€ 2,31
O' ring, autom., wire actor	727049	€ 2,31	o-ring seal for master cyl reservoir ->67	243033	€ 3,31
lower O-Ring, Motronic Injectors e.g. 111.983	R7007235	€ 1,01	O-ring water channel, V8 betw. frt cover&block	701224	€ 1,25
Copper seal ring M8, filled	299305	€ 1,09	Seal ring 10x20, copper, sump autm 722.6	927023	€ 0,55
Alu seal ring M26, e.g. fuel tank	147056	€ 0,95	Seal ring at carb.	107059	€ 0,19
Seal ring at threaded fitting	107097	€ 0,60	Alu seal ring M12, eg. eng. block@chain	107143	€ 0,24
Seal ring 18x22 Al	109019	€ 0,94	sealing ring copper 32	120033	€ 1,31
Seal ring 10x13,5, copper, e.g. wheel cyl, ..	142039	€ 0,18	Fiber seal ring M22	142098	€ 0,60

98.e fitting components, plastic, small

plastic rivet	799104	€ 1,05	PA washer M4 x 9	982359	€ 0,12
Plastic rivet	769034	€ 0,60	Plastic nut M4	769156	€ 2,09
plastic plug w.chrome cap	788195	€ 0,99	plastic plug w.chrome cap	788995	€ 1,92
Plastic nut, milled, cockpit W108, Lamps 123	854197	€ 0,71	Clip @ Sacco-panel, where screwed	969891	€ 0,55
Nut, clips	969896	€ 0,68	Plastic rivet plug, upholstery, carpet, ..	999067	€ 0,83
Clip, Acc pedal	730809	N/A	square plastic rivet, div trunk covering	R2999034	€ 0,75
knob, plastic base, carpet fixture	798006	€ 3,19	clip	772227	€ 1,79
cable clip e.g. fuel hose	747994	€ 1,42	Plug rivet for square hole eg, lower rad.cover	788991	€ 1,32
plastic plug for screw	999823	€ 5,24	A2109900150 nut	R7099049	€ 1,13
Handle, key, fits up to 11.'78 ca	789890	€ 5,95	Nut	742199	€ 0,35
Clip, Acc pedal	730009	€ 1,00	Plasticrivet with locking pin	999822	€ 0,42
Clip fits 2 pipes ea 8mm	798177	€ 0,55	Plastic clips, linkage, locking, doors, ...	998005	€ 1,44
Rivet	999817	€ 0,39	Rivet	999819	€ 0,39
Nut	999809	€ 0,38	Nut, coverings	999807	€ 0,35
Plastic rivet, e.g.sound-ins.mat	999068	€ 0,40	Clips, wire @ body	998181	€ 0,90
plastic rivet, headlights (EU) to fender	799091	€ 3,33	Plastic clips, linkage, locking, heater	798004	€ 1,26
Rivet,for cover in boot	269034	€ 0,35	Clips clamp, plastic, 13mm	754069	€ 1,09
Plastic-clip universal/VW, may replace SLS 268726	968275	€ 0,60	collar plastic clips nut, covers+insulation	798159	€ 2,43
Clip on door trim (16x veh.)	772228	€ 0,48	Clip, door seal, rear	772158	€ 0,60
plastic knob, boot rubbermat fixture	168305	€ 9,98	Clips, fuel line @ body rail	947049	€ 1,75
plastic washer at adjuster bolts	782804	€ 0,73	Plastic fastening part, for cable holder	999847	€ 2,32

98.f Filament light bulbs

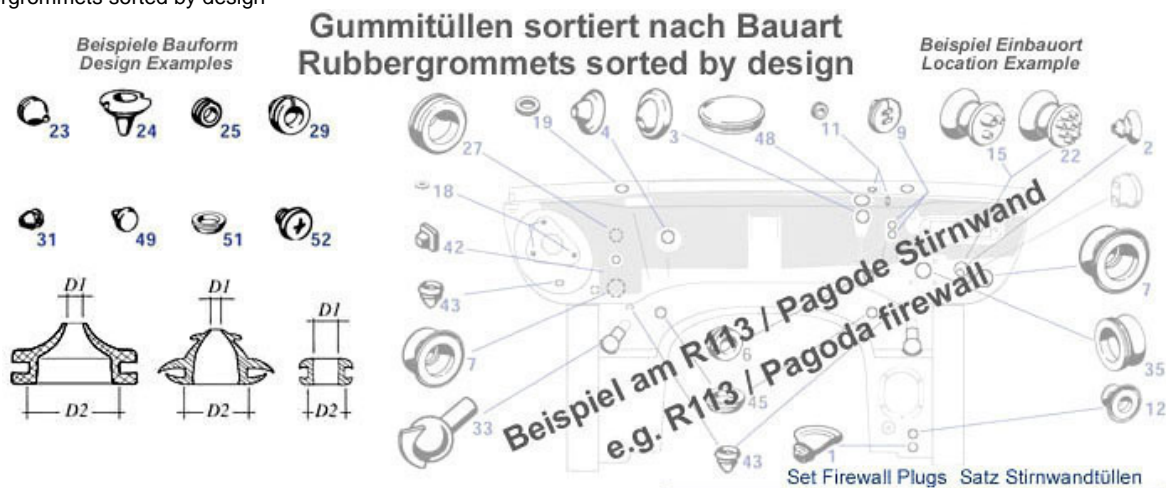


	Lamp 2W, cockpit lighting	799096	N/A		Halogen bulb H4 55/60 watts (P43t) OSRAM NBS	799290	€ 8,63
1	Light bulb 12V/2W, BA7s	299079	€ 1,99	2	Glühlampe 12V 10W	799089	€ 0,44
2	Bulb, e.g. trunk light	282033	€ 2,50	2	bulb 12V 5W Ba15s socket	799189	€ 0,81
3	light bulb 12V/2W, BA9s, eg. Instruments	254033	€ 2,20	4	Bulb 12V 15W BA15S, halo modernized	399083	€ 3,69
4	Bulb 12V / 21W direction indicator	299085	€ 1,25	4	Bulb 12V/18W direction indicator	299087	€ 3,33
5	Light bulb 12V/2W BA9s, long shape	299095	€ 3,45	5	Bulb, parking light, 12V/4W, BA9S	299099	€ 1,39
6	Bulb, 5/21W (2 filament)	199090	€ 1,09	6	Bulb, 5/18 watts (2 filament), 12V, clear	499090	€ 1,44
7	Bulb 12V 15W BA15S, halo modernized	399084	€ 3,92	8	indicator bulb yellow, 12V, 21W, BAU15s, yellow	R7082585	€ 1,89
9	bulb 3W Philips	299696	€ 0,92	9	instrument panel bulb 12V, 5W, W2,1X9,5d	R7054598	€ 1,18
9	Bulb, passenger compt. 3W, NoName	299096	€ 1,79	9	instrument panel bulb 12V, 2W W2,1X9,5d	R7054223	€ 1,79
10	Lamp 1,2W, cockpit check lights several	999096	€ 1,25	11	indicator bulb yellow, 12V, 5W, W2,1X9,5d	R7082379	€ 1,89
12	instrument panel light bulb 12V, 1,2W, BX8,5d	R7054294	€ 3,56	13	Bulb 1.2W, glass socket, switch-knob, cockpit	299097	€ 1,79
13	See 299097, Bulb 1,2 Watt, Glass socket	999097	N/A	13	bulb 1,2W Philips	299697	€ 0,81
14	instrument panel bulb 12V, 1,5W, BX8,4d	R7054608	€ 4,17	15	Bulb 12V/0,5W, see picture	799083	€ 1,52
16	Bulb, 40/45W, Bilux	299092	€ 3,99	17	mini bulb Bi-Pin 14V, 80mA	799695	€ 2,29
17	Bulb, 1,2 Watts, plastic socket	R7099097	€ 1,64	18	Halogen bulb H4 55/60 watts (P43t)	799190	€ 3,43

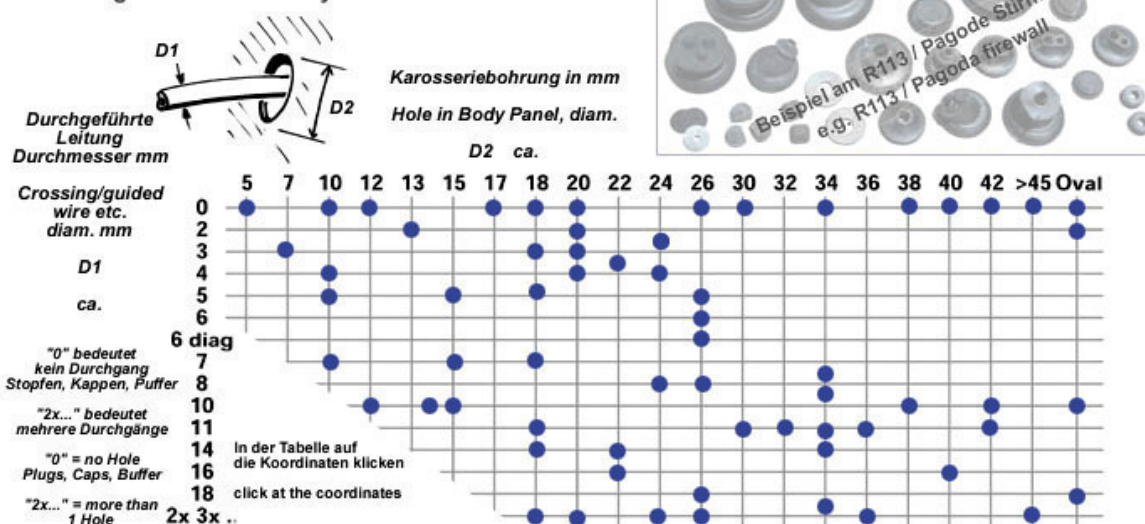
18	Halogen bulb H4 55/60 watts (P43t) 799090	€ 2,96	19	OSRA Bulb 12V / 3W, torpedo, total length 226102	€ 2,53
21	Bulb 12V / 10W, torpedo, total length 38 799081	€ 1,46	21	Bulb 12V / 5W, torpedo, total length 299098	€ 1,54
22	Bulb, 55W H1, e.g. 113 if Halogen equipped 299090	€ 2,89	23	Bulb 12V / 10W, torpedo, total length 44 299094	€ 0,51
24	Bulb, 35W, Fog light 299093	€ 8,32	26	Glühlampe H7 12V 55W 999090	€ 6,96
28	Bulb, 55W Halogen H3,fog light 299091	€ 4,52	30	Philips 11342U6000X2 LED Leuchtmittel Ultinon Pro6 799191	€ 139,99

98.a Rubbergrommets sorted by design

98 Rubbergrommets sorted by design



Gummitüllen sortiert nach Größe Rubbergrommets sorted by measures



Two hole grommet,heater & choke cables	130005	€ 3,05	Rubber plug, 22mm	798763	€ 7,82
A1079973881 Grommet 10/58mm, 2 heater t	799002	€ 8,43	plastic collar 13,5 / 11mm	798789	€ 2,38
Rubber grommet 8/34mm, diag	798785	€ 2,19	Grommet 2/13mm, 1 hole	798784	€ 2,89
Rubber plug 30mm	798783	N/A	Rbr plug 10mm	798781	€ 1,17
Grommet 4/18mm, 1 hole	798778	€ 2,89	Rubber grommet 22/26mm, ign leads, ...	798774	€ 2,89
A1299870044 Rubber plug 38mm e.g. engine wiring kits	798772	N/A	Grommet 3/6.5, 1 hole	798768	N/A
Rubber plug universal, 30mm	968309	€ 1,07	A1079971181 Grommet 9/34mm	798761	N/A
Grommet 17/53mm, multihole	798757	€ 5,80	116 997 3481 Rubber grommet	798760	€ 2,38
Rubber plug 12mm	798746	€ 1,44	Rubber grommet 13/34mm, diagonal	798752	€ 2,55
Sealing disc, rbr. 34mm	798154	€ 1,65	Sealing disc, rubber 40,5 mm	798184	€ 1,13
N/A ! Rubbergrommet 10/14mm	499001	N/A	Rubber plug, oval 45 x 28mm	598782	€ 2,24
Rubbergrommet 3,5/22mm, fuel vent rear	399028	€ 5,63	Flex.drive shaft,speedom 220S/SE Ponton	454010	€ 59,50
Rubber plug, e.g. drain holes ca. 8mm	198005	€ 1,55	Rubber, locking washer 20mm	399016	€ 1,31
A3019971081 Rubber shim 46mm	998045	N/A	Rubbergrommet, e.g:waterpipe	799004	€ 9,97
Rubbergrommet, e.g. heater feed line, oval D32x38/	999003	€ 4,08	A1119970781 N/A: 5/21mm grommet, try 199008 instea	398791	N/A
rbr plug 32mm, rear wheel arch	R7098787	€ 2,50	Rest: Universal rubber plug selection, 450 pcs.	999830	€ 125,22
			Rubbergrommet id6,5 ad 12, div	799802	€ 1,17

	Universal Cap, yellow, 30++, fits washer bag inste	799869	€ 0,71		support bracket pin		
	Grommet, for wiring at heated rear window	798782	€ 3,34		plug, plastic, closes 9.5mm holes	298688	€ 0,42
	Grommet, 4,5/10mm, cable@wheelarch	182005	€ 2,53		Floor/Body Panel Plug - 32,5mm	998782	€ 4,25
	Plastic rivet plug, upholstery, carpet, ...	999067	€ 0,83		grommet, drain hose @ trunk W108 sunroof	878099	€ 19,99
	Rubber grommet diagonal e.g. a/c lining	598785	€ 8,54		rubber plug, oval shape, fits holes ca 38x18	798770	€ 1,75
	Rubber grommet 19/34mm, eg Heater tube	799805	€ 1,08		del-t: Rubber grommet e.g. roof hydr lining	999010	€ 3,21
	grommet, hose protection, e.g. fuel hose	798847	€ 1,87		del-t: Floor/Body Panel Plug - 13,5mm	998784	€ 1,27
	Plug, oval, door rear face	798851	€ 1,18		Rubber grommet 3/26 e.g. fuel tank vent pipe	798860	€ 1,87
	Rubbergrommet, heat.return Rt. or drain 108boot	799003	€ 13,01		A1169870444 Sealing disc, door, rear	798751	N/A
	Tube grommet, pump to reservoir	798771	N/A		Grommet, acc linkage->firewall, Repro	798775	€ 4,25
	Grommet, large, firewall 107	798759	€ 15,90		rubber grommet	798769	€ 0,71
	Rubber grommet 11/30, blue silicon rubber	299517	€ 1,59		Gummitülle 45/14diag.zB	598791	N/A
	Ring grommet, sills around jack tube	R7098865	€ 2,50		Hauptltg/Stirn		
	Rubbergrommet 8/26, booster/battery 190SL	199081	€ 3,61		Grommet 4/20mm, 1 hole, drain	399009	€ 1,71
	A0009976181 Rubbergrommet 7/10mm, blowe	398787	€ 4,11		rbr plug/shim 26mm	398788	€ 1,38
	A1159972081 NI Grommet,lighting cable,b	298779	N/A		Sealing disc, rbr. 42mm, ref.-No. A1009870044	298790	€ 2,26
	Rubber buffer 5mm,121,113,10	298066	€ 0,89		Grommet,14/18, bulkhead, generator wire	298784	€ 2,59
	Grommet for oilpipe, autom.	227059	€ 2,96		A1119971881 see 298775	298775	N/A
	Rubber grommet	299005	€ 2,59		A1109870145 see 147016 or 347014	247014	N/A
	Rubber grommet 10/35, flex-shaft/frame	199026	€ 8,68		Grommet, two hole, 5/24, for fuel tank ventilation	199028	€ 5,26
	Rubber grommet, rear wire harness, 16/22	199018	€ 2,18		rubber pad glove box	199027	€ 7,98
	Rubber grommet 3/18, 121,113,107 and other	199010	€ 1,67		Rubber grommet 10/15, taillight bucket 190SL, 107	199020	€ 1,08
	Grommet 3 cable 3/20 see 298688	199008	€ 1,23		Rubber grommt 10/42, starter/generator wire	199014	€ 2,75
	A0009972781 Rubbergrommet 12/18mm	398786	N/A		Rubbergrommet 7/15mm, air duct, hornwir	199009	€ 2,31
	A1109870644	398785	N/A		Rubber grommet 5/10 heating	298875	€ 0,40
	Rubbergrommet 19/26mm	398782	€ 2,89		Rubber grommet 10 / 34 mm, e.g. wirings 111-114	398783	€ 9,39
	Rubbergrommet 5/26mm	398781	€ 2,68	1	A0009972481 Grommet for front panel & s	299008	N/A
1	Grommet 6/26, 45°, e.g. hydr-line clutc	299001	€ 2,68	2	Grommet 6/26	299819	€ 3,15
3	Rubber grommet, inlet	299003	€ 3,55	4	Rubber plug 32mm	398780	€ 1,44
6	Grommet,acc. Pedal,bulkhead	299006	€ 4,19	7	Grommet, 6/27mm,45° hydr.line clutch	298787	€ 2,82
9	Rbr grommet ../24,2 hole, revcables, oil/temp-pipe	299009	€ 3,61	11	Rubbergrommet at firewall	299002	€ 3,05
12	Grommet, 5/25,bulkhead	299012	€ 2,09	15	Rubber grommet, return	299004	€ 0,50
18	Rubber ring, wiper motor	282407	€ 0,77	19	Grommet,cable,bulkhead 17/40	299007	€ 3,05
22	Grommet,multiple holes, /35	298789	€ 3,05	23	Rbr grommet,7/10,113	299011	€ 1,08
23	A1119971481 Grommet 2/20mm, 1 hole	798764	N/A	25	washpipe,121 boot		
25	A1159970681 Rubber grommet 16/22mm	798788	€ 3,08	27	Rubber grommet 3 way, bonnet cable	298778	€ 3,55
29	see 299819	299019	N/A	31	Rubber ring, repl., w/s wiper shaft	282247	€ 1,59
31	A0009970781 Cap, ptr., horn cable	298785	N/A	33	Grommet,multihole 27mm	798777	€ 2,59
35	Boot,bulkhead,brake push rod, 113 LHD	229018	€ 13,01	42	See 799805	799005	N/A
				31	Rubber grommet 11/30, bulkh(190),107,...	299017	€ 1,59
				33	Grommet, rubber, 2 piece ../25mm	399011	€ 3,61
				33	Ball Grommet for Bulkhead Drainage Pipes	283032	€ 25,75
				42	Rubbergrommet, firewall, square	299026	€ 3,32

43	Rubber plug 10mm, see pict	298781	€ 1,12	45	Rubber plug, 20mm	298780	€ 0,94
45	rubber disc 18mm	798153	€ 2,01	45	Rubber plug instead clutchline	298786	€ 0,73
45	Plug, 32mm, e.g. boot, ..Repro	268309	€ 0,70	45	Floor/Body Panel Plug - 26mm	298782	€ 1,30
45	Rbr plug 17,5mm	398995	€ 1,17	48	Closing disc	298045	€ 6,68
49	Buffer, conical shape, boot lid div.	398043	€ 1,65	49	Floor/Body Panel Plug, 6mm	998781	€ 2,14
52	threaded plug, belt holes	799899	€ 1,18	299808	Grommet for front panel	299808	€ 0,77

98.b frequently required screws for equipment

98.b frequently required screws



Häufig gefragte Ausrüstungs-Schrauben - Frequently required screws for equipment

Ist Ihr gesuchtes Teil nicht dabei ?
Mailen Sie uns ganz einfach ein Foto der Schraube
und ein Foto mit der Einbau-Umgebung

Can't find the required item ?
Just send a photo of the screw and
a photo of the surrounding area

raised countersunk head screw, stainless steel M4X	182099	€ 0,30	Spring washer,M12, rr axle, eng.mount	235314	€ 0,60
Bolt, M8x35, fits drag links	233199	€ 0,44	Bolt, universal joint 230SL (L70)	235231	€ 2,25
hex nut M12 X 1,5 zinc plated	235229	€ 0,65	self locking counter nut M12	235228	€ 0,43
Locking Nut, cross strut near axle	235227	€ 1,94	Bolt, M12 x 35 fine, e.g. cross strut	235225	€ 2,28
Spring washer, u/j bolt	235303	€ 0,42	Cap,to235308	235309	€ 1,32
M12-127 lock washer	235316	€ 0,26	hex head screw M10 X 20, 10.9 zinc plated	235315	€ 1,40
spring lock washer A16	235321	€ 0,69	spring washer B16 mechanical zinc plated	233108	€ 1,26
Bolt M10x30 e.g. rear axle mount	235318	€ 1,02	Copper ring fits M4 screws	247051	€ 0,43
Screw M8x55 exhaust bracket	249048	€ 0,96	Bolt M8x50, e.g. exh front pipe flange	249049	€ 1,26
Drain plug screw M14 x 1,5 (rad. / eng,..)	250027	€ 2,70	Wing nut M8, e.g. wheel shoe @ support	258111	€ 1,57
Countersuk screw eg wood grille	267109	€ 0,50	Panelling screw	268108	€ 0,44
Washer, entry trim strip,fr.	268132	€ 0,18	Rivet, rear window drip strips	270691	€ 0,20
Bolt, strut to fit axle,M16x80	233106	€ 2,56	Spring washer M14	233103	€ 0,50
Square nut e.g. at 281039	281169	€ 0,44	Bolt engine mount rear	222024	€ 1,54
Hex.bolt M6X50 e.g. for oilpump	218497	€ 0,76	Hollow screw,early M16X1,5	220012	€ 6,69
Bolt M6, yellow zincd, thermo.housing	220017	€ 0,29	Seal ring, copper , id 30	220118	€ 1,05
Hex-Bolt w. Slot M6	220818	N/A	Bolt, engine support/mounting	222007	€ 1,49
Spring washer galvanized M8 Nut N004032008005	222005	€ 0,44	Bolt, eng.mounting/chassis	222004	€ 0,64
Seal ring 10x13,5, Alu, e.g. sender, hollow bolts	222026	€ 0,21	Screw engine mount rear	222025	€ 0,80
spring type straight pin 4 X 18	227023	€ 0,50	Washer 15mm	233104	€ 0,76
Hex bolt, damper-> rr axle	230007	€ 0,51	Hex nut M10 fine, e.g. shock-absorber	232989	€ 0,70
M12 DIN 127 lock washer	232988	€ 0,56	hex nut M12 X 1,5 zinc plated class 10	233046	€ 1,58
	233042	€ 0,39	Bolt 8x22, clutch plate	233064	€ 0,37

hex.head screw M12 X 1,5 X 90, cross member	233063	€ 1,80	Screw W108 front cross member	233067	€ 0,43
hex. socket head cap screw 10.9 M6 X 20,	233076	€ 1,08	hex nut M10 X 1, prevailing torque type, tie rod e	233094	€ 1,51
Counter sunk screw 3,9 Phillips	281139	€ 0,26	panel screw, lens head, 3,5x22 visorsup	281159	€ 0,44
Federscheibe M6 unbeschichtet	218495	€ 0,12	Senk-Blechschaube 3,9x22 zB Innenspieg	299928	€ 0,44
Hex Nut M6 flat shaped	299291	€ 0,37	Screw M6 e.g. Bonnet hinges	299289	€ 0,38
Screw M5 e.g. Bonnet spring brackets	299287	€ 0,50	Locking ring M10	299328	€ 0,38
Locking ring M8	299327	€ 0,18	Washer 8,4mm, standard, yellow zincd	299326	€ 0,39
Spring washer M5	299325	€ 0,11	Cotter pin 2,0 x 25, e.g. tie rod nuts	299460	€ 0,12
Collar nut M5 locking, e.g. trunk lock	299336	€ 0,46	Lockung Nut M8, e.g. damper	299333	€ 0,76
Hex nut M5, zincd	299919	€ 0,18	Spring washer M4 yellow zincd	299283	€ 0,08
Hex Bolt M6 x 10 yellow zincd	299997	€ 0,35	cotter pin 3 x 28, fits 314025 ...	314029	€ 0,32
Kerbnagel zB Alu-Gleitschienen	405098	N/A	Kronenmutter unbeschichtet	433006	N/A
Nut M8, copper, hex 12	514008	€ 1,90	In hex cyl bolt 12.9, M10x90	701115	€ 4,05
In hex cyl bolt 12.9, M10x80	701113	€ 2,67	In hex cyl bolt 12.9, M10x65	701105	€ 3,05
In hex cyl bolt 12.9, M10x55	701103	€ 1,84	In hex cyl bolt 12.9, M10x155	701135	€ 9,16
Washer 4,3 yellow zincd	299282	€ 0,08	Washer 5,3mm yellow zincd	299284	€ 0,11
Washer, Star/frame	288047	€ 0,55	N900056005202 N900056005202	299082	€ 0,56
Bolt M5/hex8, frt grille mouldings	288049	€ 0,32	Screw, bumper bracket	288116	€ 0,76
Blechschaube zB Einstieg unter Gummim.	288134	€ 0,19	Screw (sill to wheel arch)	288133	€ 0,50
Nut	299035	€ 0,17	Washer for 299034	299038	€ 0,12
Nut M10, hex 16! , hot zincd	299047	€ 0,76	Washer, e.g. screws @ mesh	299045	€ 0,21
Bolt M6 x 12 in-hex	299043	€ 0,36	Lock ring 26x1,2	299057	€ 1,26
Spring pin, DIN1481, spring steel, 2,5 X 14	299080	€ 0,32	Screw, countersunk, M6 e.g. bonnet lock	299285	€ 0,44
Spring washer A6 zinc plated	299127	€ 0,21	washer M6, yellow zincd	299125	€ 0,21
Screw 3,9	299279	€ 0,27	Screw 4.2 e.g. at 298043	299278	€ 0,38
Locking spring washer	299277	€ 0,21	Washer 6.4 large, yellow zincd	299276	€ 0,18
Screw, Phillips M6, e.g. locks upper	299275	€ 0,44	Grip washer M8	299274	€ 0,29
Locking washer M6	299273	€ 0,21	Screw M5 e.g. safety hook @ bonnet	299286	€ 0,26
hex bolt M6 X 75 e.g. for oilpump, late version	218498	€ 1,02	screw M6x22	218496	€ 0,21
hex. socket head cap screw, zinc plated M8 X 135	701149	€ 4,59	Set of chrome screws 395 pcs	191111	€ 789,99
Bolt, countersunk with cross recess, M6x10	299785	€ 0,39	Screw for belts	299990	€ 1,36
locking shim, acc link mounts	707277	€ 1,36	Countersunk screw, lock frame, zinc plated	275265	€ 0,39
Chromed countersunk screw M10 x 20 DIN 91	191021	€ 10,46	Chrome bolt hex.w.peak, S/T-mount	177247	€ 31,89
lens head screw chromed, 2,9x6,5, DIN 7981	169007	€ 1,07	Shim, chromed, for M10 bolts	177249	€ 4,99
Chrome screw, handle at wood front bow	177018	€ 4,11	Set of chrome screws 419 pcs for bucket seat car	191112	€ 749,99
Chrome nut, hub spoke ->67 horn push	246215	€ 13,09	galvanized Spring washer M8	233059	€ 0,21
M5 chrome bolt PH, e.g. licence plates	988998	€ 2,20	Chromed countersunk screw M10 x 25 DIN 91	191022	€ 10,46
Cap, throttle flap shaft	214074	€ 55,22	Chrome bolt M6 x 16	191017	€ 23,67
Spring washer, chromed	177248	€ 6,19	hex. socket pipe plug with taper fine pitch thread	101005	€ 1,90
Cylinder head bolt 105mm for engine M121 921,127,1	101105	€ 5,99	Allen head bolt 125mm .921 6x, .928 3x	101125	€ 5,50
parallel pin, tolerance zone m6, 10 X 14	101190	€ 1,34	Valve adjustment nut M10x1, height 4,3	105019	€ 2,48
In hex M4 bolt, head lamp mounting	299280	€ 1,36	Nut, 5mm Lt. Hd. Threads	230006	€ 0,83
toothed lock washer, external teeth 6,4mm	107051	€ 0,24	screw set chrome plated 300SEL 6,3 238pcs.	898109	€ 292,00
Counter sunk shim fits screws up to 3mm	M872990	€ 1,19	Panelling screw, e.g. lower eng comp covering	R7099925	€ 0,79
hex. head tapping screw with cone end, zinc plated	799723	€ 0,19	Panhead screw, hexalobular socket M6 X 16	998999	€ 0,48

panhead tapping screw 6,3 X 22	799721	€ 0,14	rest: panelling screw N9140310052	999899	€ 2,88
Pan head screws with collar, with screw thread for dummy pin, chrome plated 22mm head	754435	€ 0,38	countersunk head screw for hardtop dec. stripes	299083	€ 0,82
Screw countersunk, 3,9 x 22	999985	€ 0,46	dummy pin, chrome plated 12mm head	988105	€ 2,31
tapping hex.head screw 6,3 X 19	288559	€ 0,60	Bolt M7, e.g. gear lever from VIN ..42-10-004926	226034	€ 0,96
Escutcheon fitting panelling screws diam 3,9	267014	€ 0,89	countersunk washer	999041	€ 3,95
Counter sunk shim fits screws up to 3mm	872990	€ 0,60	countersunk washer / screw escutcheon	373113	€ 2,68
Washer, chrome, high shape, fits up to 4mm screws	288013	€ 2,99	escutcheon e.g. screw 277052, ..	277053	€ 3,42
Chromed screw countersunk eg.door panel	172199	€ 0,83	Sunk screw M5 x 16, stainless	167061	€ 2,05
Nut, M8x1 slim, e.g. throttle shafts,..	107036	€ 0,56	Nut M7, self locking	226024	€ 1,25
woodruff key W4 H5	215077	€ 0,88	Seal ring 18x22 Al	109019	€ 0,94
Hex nut M6, yellow zinc.	181023	€ 0,18	see 990101	199085	N/A
Bolt M3 for sign	181043	€ 0,13	Spring washer, fits M6	181028	€ 0,18
pan head tapping screw zinc plated 3,9 X 13	188889	€ 0,25	Square nut,M10	188012	€ 0,58
slotted raised countersunk head screw M4 X 8	198025	€ 0,35	Cage nut M6, no locking	188835	€ 1,90
snap ring	199058	N/A	countersunk washer fits e.g. screws 2,9	199021	€ 0,51
Washer 13x20x2 zincked	199142	€ 0,32	spring ring for M5 head screws	199041	€ 0,10
spring lock washer for cheese head screws 6mm, zin	199096	€ 0,08	washer, 6,4 e.g. boot hinge	175005	€ 0,36
Hexagon socket pipe plugs with taper fine pitch th	201005	€ 4,88	Nut, 5mm, right hand thread	199095	€ 0,24
woodruff key, standard, 4mm	205077	€ 1,00	cylinder head bolt 114mm, M12	201114	€ 6,44
Sealing ring	207149	€ 0,88	Bolt "long", pipe mounts (M5x30)	207030	€ 1,76
Washer 2mm, thick, exh-manif, bumpers .	214008	€ 0,56	Seal ring 14mm Alu	207186	€ 1,08
thread pin, inner hex, e.g. mirror base	181024	€ 0,76	sealing ring, aluminium 30mm	215032	€ 0,81
Screw M6x18 e.g. Filter box 190SL,bonnets, ..	109024	€ 0,38	Bolt M3 e.g. Glove box handle	168079	€ 0,82
Nut, M10, exh manifold	114008	€ 1,25	Split pin 3x22	142089	€ 0,12
Screw engine mount M12 x 45	122009	€ 0,82	sealing ring copper 32	120033	€ 1,31
bolt, M7 e.g. buffer 132016	132036	€ 0,38	Cotter pin 1,5 x 15	126824	€ 0,12
Rear axle nut M22x1.5	135006	€ 1,49	Split pin 2,5 x 25, fits crown nuts	133007	€ 0,24
Bolt, prop.shaft flange (2x6 req)	141016	€ 13,73	seering linkag		
Screw plug @ booster face	142099	€ 5,80	Nut M7	135305	€ 0,50
Spring washer M6	142158	€ 0,15	Split pin 2,5 x 16	142091	€ 0,18
Nut M8	142155	€ 0,50	Countersunk bolt M5X16, industrial chrome plated	167062	€ 0,45
Washer,waved shape,M5, zinced	142904	€ 0,25	Bolt M6 at rope roll	142156	€ 0,75
M8x15-933 hex head bolt	142912	€ 0,56	Spring washer M7	142152	€ 0,18
Pin at booster piston	143014	€ 0,49	Washer5.3mm	142905	€ 0,24
In hex cyl bolt 12.9, M10x165	701165	€ 16,66	hex nut,early brake bolt	142919	€ 1,38
Screw @ front grille	188071	€ 1,90	Bolt M8 x 40	149059	€ 1,14
hex head screw M10 X 90 zinc plated	758805	€ 1,46	Bolt 6x16 e.g. pan, in-hex	701319	€ 0,48
screw M3, plate above column contact assy	799468	€ 0,31	tapping screw zinc plated 3,9 X 13	988871	€ 0,12
Countersunk head screw M5X10 R107 Softtop	798032	€ 0,15	stud M8 X 25 for manifold	714993	€ 3,05
countersunk head screw M3X8 stainless steel, door	276099	€ 0,41	sealing ring, copper 32mm	220829	N/A
hex. socket head cap screw M6X30 zinc plated	299052	€ 0,34	plastic washer PA 3,2	882015	€ 0,15
e.g. roof lock latch to w-screen frame	272727	€ 1,05	countersunk head srew M4X8, zinc plated	276098	€ 0,12
Counter sunk screw 4,2x13, chrome plated	799832	€ 1,45	hex. socket head cap screw M6X18, zinc plated	299053	€ 0,22
raised countersunk head tapping screw, chrome plat	798982	€ 2,25	parallel pin 6 X 10, tolerance m6	299914	N/A
Pan head tapping screw 2,9X6,5	299049	€ 0,06	pan head tapping screw w. Phillips cross and flat	798806	€ 0,30
			raised countersunk head tapping screws, chrome pla	798981	€ 2,25
			Self-tapping screw with spigot 4.2	990104	€ 0,06

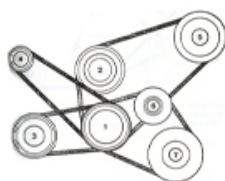
zinc plated			X16 galvanized		
Sheet metal screw countersunk head 2,9X9,5 galvani	990105	€ 0,15	Sheet metal screw countersunk head 2.9X13 galvaniz	990106	€ 0,06
Phillips screw, semicircular head, M4 x 10	990107	€ 0,18	Phillips screw, half-round head, M4 x 16	990108	€ 0,21
blind rivets zinc plated flat head 4 X 10	782819	€ 0,15	parallel pin 10 X16, tolerance m6	299915	€ 1,01
Phillips screw, countersunk head, M6 x 16	990110	€ 0,28	washer 10,5 stainless steel	788908	€ 0,36
hex nut, stainless steel M6	788821	€ 0,43	hex nut, stainless steel M8	788820	€ 0,76
washer, stainless steel 6,4	788822	€ 0,19	nut M6 w. flange, zinc plated	799913	€ 0,37
hex. cap nut, 1.4305, M8	701819	€ 1,99	Nut, square, M6	R7090998	€ 0,26
Screw, M4X6 Phillips, e.g switch	799546	€ 0,24	nut M8 w. flange, zinc plated	799813	€ 0,55
Washer,waved shape,M5, stainless steel	788904	€ 0,31	hex nut M5, stainless steel	788920	€ 0,32
Brass disc 5mm	754967	€ 0,16	parallel pin 8 X 16	299916	€ 0,88
Brass disc 6mm	754968	€ 0,21	Hexagon nut 10 M6, galv. Verz.	990100	€ 0,12
Hexagonal nut 10 M8, galv. Verz.	990101	€ 0,15	Washer large diameter. 4mm galvanized	990111	€ 0,03
Washer large diameter. 5mm galvanized	990112	€ 0,03	Washer large diameter. 6mm galvanized	990113	€ 0,03
Self-tapping screw 4.2 x 32 galvanized, countersun	999984	€ 0,15	Bolt M12 x 80, e.g. Starters up to 1957	115044	€ 2,06
hex.head bolt grade 8.8 M12 X 75 zinc plated	115248	€ 2,01	hex. head bolt grade8.8 yellow zinc plated M12X90	115249	€ 2,33
Phillips screw, half-round head, M6 x 16	990109	€ 0,34	Self-tapping screw with Phillips 4.2 X13 galvanize	990103	€ 0,07
hex head screw 10.9 zinc plated M10X1X40, eg. stee	233146	€ 1,23	Countersunk screw, lock frame, chrome plated	277265	€ 1,26
screw countersunk PH 2,9x13 stainless	769179	€ 0,24	Set bolts 220SE Cab. Pontoon	477220	€ 428,47
screw	299046	€ 0,77	Metal screw 4,2x13 SW7 N007976004203	299044	€ 0,44
Countersunk screw M4 x 8 chrome eg lock esc	299042	€ 0,71	Screw 3,5 x 9,5, see picture	288081	€ 0,32
Bolt M5x10,i.e. Star->Frame, industrial chrome fin	288048	€ 1,45	Panel screw, lens head 3,5x13 vent hood	283031	€ 0,18
Screw, grille/bodywork	283021	€ 1,90	Counter sunk screw, e.g. HT wood trim	279013	N/A
Chrome screw M4, e.g. wire at canvas	277052	€ 1,79	N000965004053	799783	N/A
Countersunk screw, rail/frame, M4x12	277027	€ 0,49	Screw, R/C107, R113	272724	€ 0,51
countersunk head tapping screw 3,5X13, sealing rai	272723	€ 0,13	Ctr sunk screw @ 272033/044/300/400	272034	€ 1,44
Flat headed screw M4x7 chrome	269243	€ 0,19	Chrome screw N/A, replace by 269842	269242	N/A
Screw for chrome strips	269164	€ 0,13	panelling screw, phillips, chromed	268133	€ 1,32
Screw 4,2 x 25	268104	€ 0,30	flat headed screw 4x20	267013	€ 0,38
Screw, 6x16 e.g. door catch, ..	777021	€ 1,24	Panelling screw SW10 6,2x20	799924	€ 0,88
Sheet metal screw with hexagon 5.5 X 13 galvanized	990102	€ 0,20	e.g. roof frame frt locks	277267	€ 7,46
Panelling screw 5,5 x 16 (hex head 8mm)	288059	€ 0,60	hex. head tapping screw 4,8X25, clamps at firewall	899938	€ 0,29
N000000000460 Rest: Panelling screw 4,8 x 14	999933	€ 1,19	complete screw set, chrome plated, C107, all SLC m	799335	€ 296,44
complete screw set, chrome plated, R107, '85-	799334	€ 271,86	complete screw set, chrome plated, R107, '72-'85	799333	€ 290,11
complete screw set, chrome plated	299233	€ 399,90	complete screw set, chrome plated e.g. roof lock latch to w-screen frame	399233	€ 515,90
complete screw set, chrome plated	399234	€ 587,86	Screw, countersunk, 3,5 door-chr.	277266	€ 7,46
Bolt slot head M5 x 16 A4, e.g.Lic-plat	988999	€ 0,83	Screw, countersunk, 3,9 x 22	799927	€ 1,14
Screw 4,8 x 10 Hex 8	799844	€ 0,63	Counter sunk screw 3,5x9,5,eg glove box	999994	€ 2,28
panelling screw Hex8, e.g. bumper 12 frt / 26 rr	799938	€ 0,32	Panelling screw 4,8 x 13	799935	€ 2,80
Counter sunk screw 2,8 x 22	799934	€ 1,81	Screw	799933	€ 0,32
Counter sunk screw 4,2x14, industrial chromed	799932	€ 0,58	Screw, interior mirror	799931	€ 0,24
Screw	799929	€ 0,38	hex head screw M12 X1,5 X 45,	799928	€ 0,50
Castle nut M10X1, thin shape, early	133706	€ 2,45		233116	€ 2,08

joint			e.g. cross strut		
Seal ring f. bolt 705004	705005	€ 0,68	Schraube M10x20 feuerverz.	799949	€ 1,75
Mutter M2,5	799916	€ 0,12	Washer 6,5 x 13	799915	€ 0,17
Washer 6,4 x 11 zinc plated	799914	€ 0,12	Nut M6 zincd	799920	€ 2,15
Counter sunk screw, eg wing to rail	799930	€ 0,39	Tapping screw Phillips 4,2x9,5	799936	€ 0,15
bolt M6x12, hot-dipped, skirt	799945	€ 1,02	Bolt, M8 x 12 zincd	799942	€ 1,07
Washer 6,4 x 11	799941	€ 0,31	Shim 4,3x8	799939	€ 0,19
Bolt M8 x 16 zincd	799947	€ 1,02	Spring washer M4, e.g. trim fixing	799918	€ 0,12
Hex. socket head cap screw, low head, zinc plated	882013	€ 0,21	Hex bolt M8 x 30	915057	€ 1,14
Hex nut M10 metric, flat style	915058	€ 1,90	Schraube M12x90, ersetzt 122037	922037	€ 3,61
hex. flange bolt M8 X 60 @ Y-tube	949048	€ 0,81	milled nut M4, as illustrated	954197	€ 1,02
Senkschraube unbeschichtet	977029	N/A	Bolt M6 x 14, Phillips	977021	€ 0,36
Hex-nut M2,5	980887	€ 0,64	Screw, e.g. lic-lamp	982358	€ 0,20
Schraube,z.B.Staubblech an Achsschenkel	799917	N/A	Hex Nut, M4	799919	€ 0,20
Blechschrabe verzinkt	983821	€ 0,17	Bolt M5	769859	€ 0,70
Nut M8, copper, hex 13	714008	€ 2,30	Plug screw M8 x 1	720319	€ 1,64
Self locking nut M12 X 1,5	733113	€ 1,93	Front Upper Suspension Arm Bolt	733929	€ 3,20
fine thread screw, steering arm to steering nuckle	733978	€ 0,93	Nut, wheel link rear	735164	€ 3,82
Washer 13mm e.g. prop shaft disc bolts	741122	€ 0,50	Locking shim, M8 bolts	746299	€ 0,38
Bolt M8 V8 early cross pipe frt exhaust	749348	€ 0,64	M5 riveted nut eg lic-plate	764099	€ 0,64
Screw, M4 Phillips, e.g boot handle	775899	€ 0,19	Waved spring washer M8	799911	€ 0,18
Screw, door catch surround M4 x 10	777029	€ 1,90	Cotter pin 1,6 x 16	780888	€ 0,12
Nut, wiper arm to gear	782242	€ 0,64	Screw, e.g. Headlamp to Wing	788081	€ 0,88
Screw 3,9 x 19 e.g. Bonnet-rubber	788609	€ 0,32	Washer eg wing to A-pillar	798148	€ 0,33
Washer M8 x 24 zincd	799095	€ 0,70	Milled nut, pws reservoir	799462	€ 1,50
Bolt M5 x 40 eg. FP-support	799847	€ 0,56	Washer 10,5 x 30 x 2,5	799889	€ 0,54
PA washer M4 x 9	982359	€ 0,12	Nut, square, M8, e.g. drive shaft hanger	990998	€ 0,96
panhead tapping screw 4,2 X 16	788381	€ 0,18	Kombi-Blechschrabe	999926	N/A
Hex. bolts zinc plated, M8 X 65	749850	€ 1,21	pin 2,5 m6 X 6	233750	€ 0,31
Split pin 5 X 45, eg castle nuts steering	246213	€ 0,43	Screw, door catch surround M4 x 10 crome plated	777829	€ 0,69
Plug for fuel pump 190SL	109191	N/A	Screw M5 X 8 zinc plated	299888	€ 0,50
rivet, brass, 4 X 6	799940	€ 0,19	hex. socket head cap screw, zinc plated yellow, M8	109009	€ 0,81
hex. socket head cap screw, zinc plated, M8 X 28	109008	€ 1,99	screw for electric set mounting	782843	€ 0,31
Pan head tapping screw, zinc plated, 4,8 X 19	799937	€ 0,32	Hex. bolts zinc plated, M8 X 60	749849	€ 1,21
washer 4,3 X 12 X 1	799890	€ 0,14	washer 5,3 X 15 X 1,2	799891	€ 0,15
plastic washer 3,2 for electric set mounting	782873	€ 0,14	Hex bolt e.g. pulley, 10.9 M8x22	703374	€ 0,51
In-Hex bolt e.g. pulley, 10.9 M8x65	203274	€ 1,33	Screw, M4 Phillips	299546	€ 0,20
Hex Bolt stainless steel, M8 X 30	349818	€ 0,49	washer 8,4 stainless steel	349819	€ 0,35
Bolt A2 M5X12, frt grille mouldings,	788207	€ 0,74	panhead tapping screw 4,8 X 13	788206	€ 0,30
..			see 154089 or 999909 or 799462	299469	€ 1,57
Washer 10,5mm	214108	€ 0,26	serrated lock washer, internal teeth, zinc plated	186049	€ 1,00
teethed washer 4,3mm	999037	€ 0,13	Senkschraube LiKo VA, 4,2 x 16	999932	€ 0,56
Blechschrabe unbeschichtet	999927	N/A	Selbstsichernde Mutter M6	999991	€ 0,32
Linsensenkschraube 2,9 x 19	999931	€ 0,24	raised countersunk head self-tapping screw 2,9 X 9	999983	€ 0,32
Self tapping screw, zinc plated	999981	€ 0,24	Bolt M8 x 45	149069	€ 1,14
Screw M5 X 12	299288	€ 0,50	Nut, M16 x 1.5 , foot pump to bracket	186048	€ 1,69
Split pin 3x36	133059	€ 0,18	Prevailing torque type hexagon nuts	232026	€ 0,56
hex nut M14 X 1,5	733032	€ 1,44	In hex cyl bolt 12.9, M10x50	705103	€ 1,82
cylindrical bolt 8 x 12, cam stands, crank frt	299917	€ 0,69	spring bushing, e.g. intake seal fixture	714359	€ 0,69
Bolt M6 valve covers 350/450	701359	€ 0,82	lease add screw locking fluid	270822	€ 0,96
Seal ring 14mm copper	207886	€ 1,08	cheese head screw zinc plated M8 X 20	188886	€ 0,69
Washer 7,4, zinc plated	199141	€ 0,17			

hex nut M10 (hex17), hot zined [199148](#) € 0,57

hex. head screw zinc plated M10 X [188884](#) € 0,69
22

98.g V-Belts, Ribbed V-Belts



[Click here for - hier klicken für](#)

V-Belt - Keilriemen

Width **10mm** (prev. 9.5)
Breite **10** (ehemals 9,5)

All Length
Alle Längen

[Click here for - hier klicken für](#)

V-Belt - Keilriemen

Width **13mm** (prev. 12.5)
Breite **13** (ehemals 12,5)

All Length
Alle Längen

[Click here for - hier klicken für](#)

**Ribbed Multi-V Belt
Rippenriemen**

Width **21.4mm= 6 Ribs**
Breite **21,4 = 6 Rippen**

All Length
Alle Längen

V belt 10 x 925 eg. 250SL LHD series	299107	€ 3,69	Belt, 10x1005 e.g. 117.968 Generator	799133	€ 6,49
Fan belt 10 x 1184, z.B. 3.5 Servo, FN	799123	€ 11,00	Pws drive belt 10 x 1225 e.g. 111-3,5	399123	€ 13,80
Fan belt 10 x 1160, z.B. 4.5 Servo, FN	799126	€ 10,95	v-belt 13x930	799136	€ 16,99
V belt pws. 280SL/SLC 13x818	799111	€ 10,89	V belt 10 X 900	299105	€ 6,19
Belt, 2170mm	999112	€ 30,33	Ribbed fan belt 2175mm, e.g. M103 no A/	999106	€ 39,98
Ribbed fan belt 2257mm, e.g. 103 A/C	999108	€ 30,98	Belt 2176mm	999107	€ 22,99
V belt alt./wapu/fan 10 x 980	799113	€ 10,10	belt, 2225mm, i.e. M104 (some) with A/C, without n	999102	€ 40,29
Belt, 2523mm	999109	€ 29,10	belt 1875, e.g. M111 2,3 with A/C	R7099102	€ 39,07
Rippenriemen 2330mm, zB 103 m.LuPu o.Kl	999104	€ 65,00	6-Rippenriemen 2205mm lang	999103	€ 15,68
6-Rippenriemen 2130mm lang	999105	N/A	Rippenriemen 2415mm, zB103 Klima+LuPu	999101	€ 39,90
belt 2155, e.g. M111 2,0 with A/C	R7099105	€ 35,80	belt 2390mm, e.g. M112.947 Euro	R7099106	€ 35,30
belt 2055, e.g. M111 2,0 no A/C	R7099104	€ 33,82	V' belt, 10 x 935	299109	€ 7,79
Fan belt 10 x 950 egM116early generator	799122	€ 3,50	V' belt, 10 x 800	299110	€ 8,98
V-belt 13 x 915 e.g. late A/C 450 US	799137	€ 12,25	V belt 13 X 1060	299101	€ 7,25
Fan belt 10 x 850, 190SL RHD, 220SE	120101	€ 4,61	Keilriemen 13x785 Servopumpe	799102	€ 6,19
A/C belt 13 x 960mm, e.g. AC-	799131	€ 7,74	V belt alt./wapu/fan V8	799114	€ 5,59

comp 560					
V belt 10 X 960/965	799119	€ 4,89	Fan belt 10x1000 eg 4.5 generator FN	799121	€ 9,70
V belt 13 X 850	799116	€ 5,95	Fan Belt 10 x 825	120100	€ 4,20
Fan belt 10x1025 z.B. 4.5 US FN	799124	€ 5,95	V belt 10 x 1200 ,	799117	€ 7,20
Keilriemen 10x750	799132	€ 4,50	WaPu/p.w.s.(2xreq)		
V belt 10 X 875 eg. 230SL	299106	€ 4,75	Keilriemen 13 x 868 Klima V8 FN	799128	€ 16,18
Alternator			V belt 10 X 1100, e.g. WaPu/PWS V8-FN	799118	€ 7,40
belt, 10x1110 e.g. pws pump 5.6 , 2x re	799130	€ 7,25	V belt 13 X 1285	799110	€ 10,29
V belt 10 X 913	799115	€ 6,10	V belt 10 X 775	299108	€ 8,84
A0029974092	999118	N/A	V belt 13 X 750 e.g. PWS-pump	299102	€ 6,19
Belt	799135	€ 15,89	belt 1775, e.g. M111 2,3 no A/C	R7099101	€ 29,99