

Mercedes R170 "SLK" First Generation

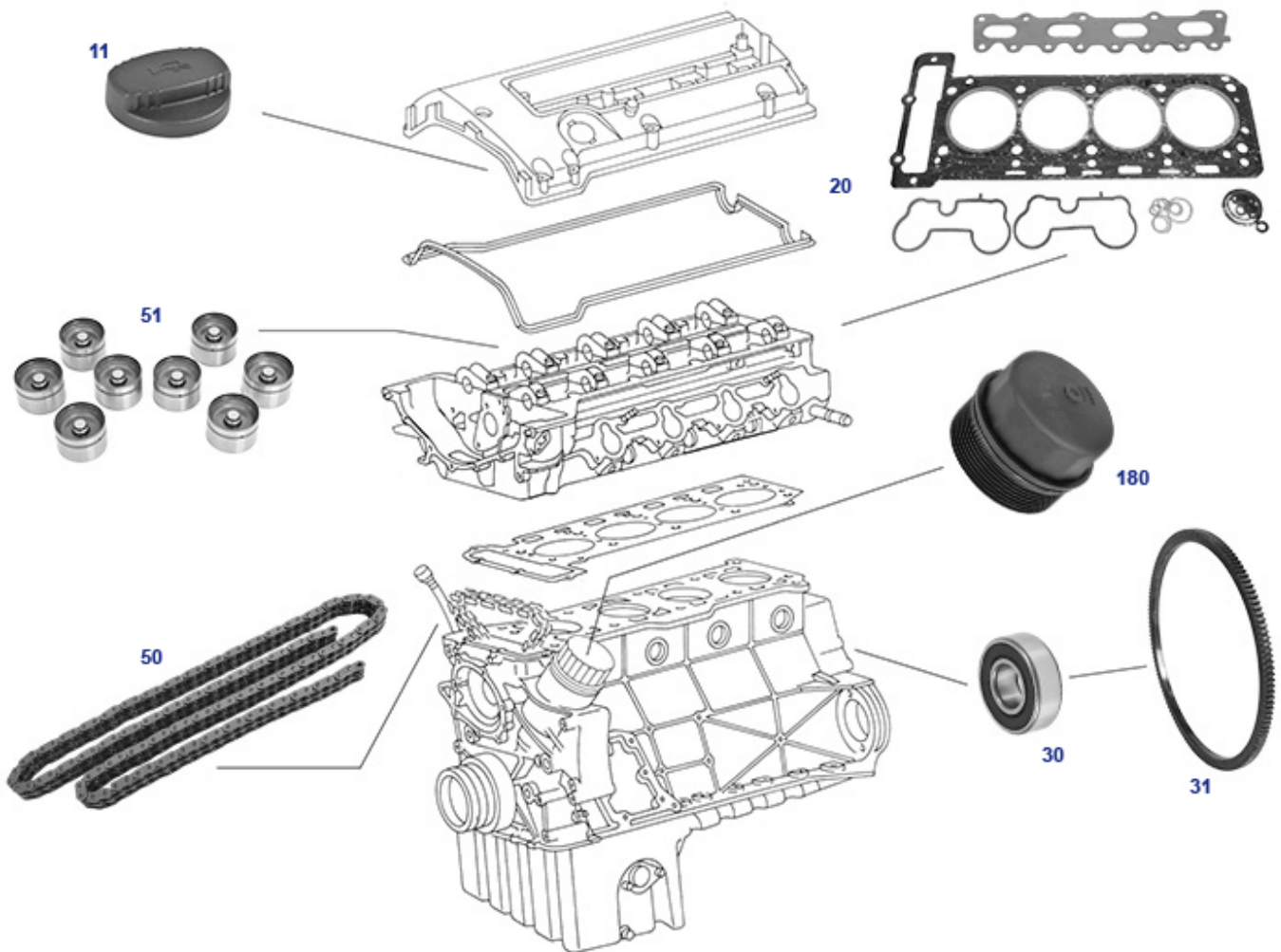


Content

01, 03, 05 Rumpfmotor M111, Dichtungen und häufig Gefragtes	4
09,15,18 Maintenance Eng.	5
25, 26, 27 Clutch, Gearbox, Automatic	6
33,35,40,42,43 Frequently Required Parts Axle, Brake, Steering	8
47, 49, 50	9
62, 64, 72, 88 Body	10
82 Lighting, Wipers, Heater	10
99 Add Ons	11

SLS Import- und Export Handelsgesellschaft mbH
Jacobsrade 27 · D-22962 Siek
Tel. +49(0)40 656 939-0 · Fax +49(0)40 656 939-399
I-net: www.sls-hh.de · e-mail: service@sls-hh.de

01, 03, 05 Rumpfmotor M111, Dichtungen und häufig Gefragtes

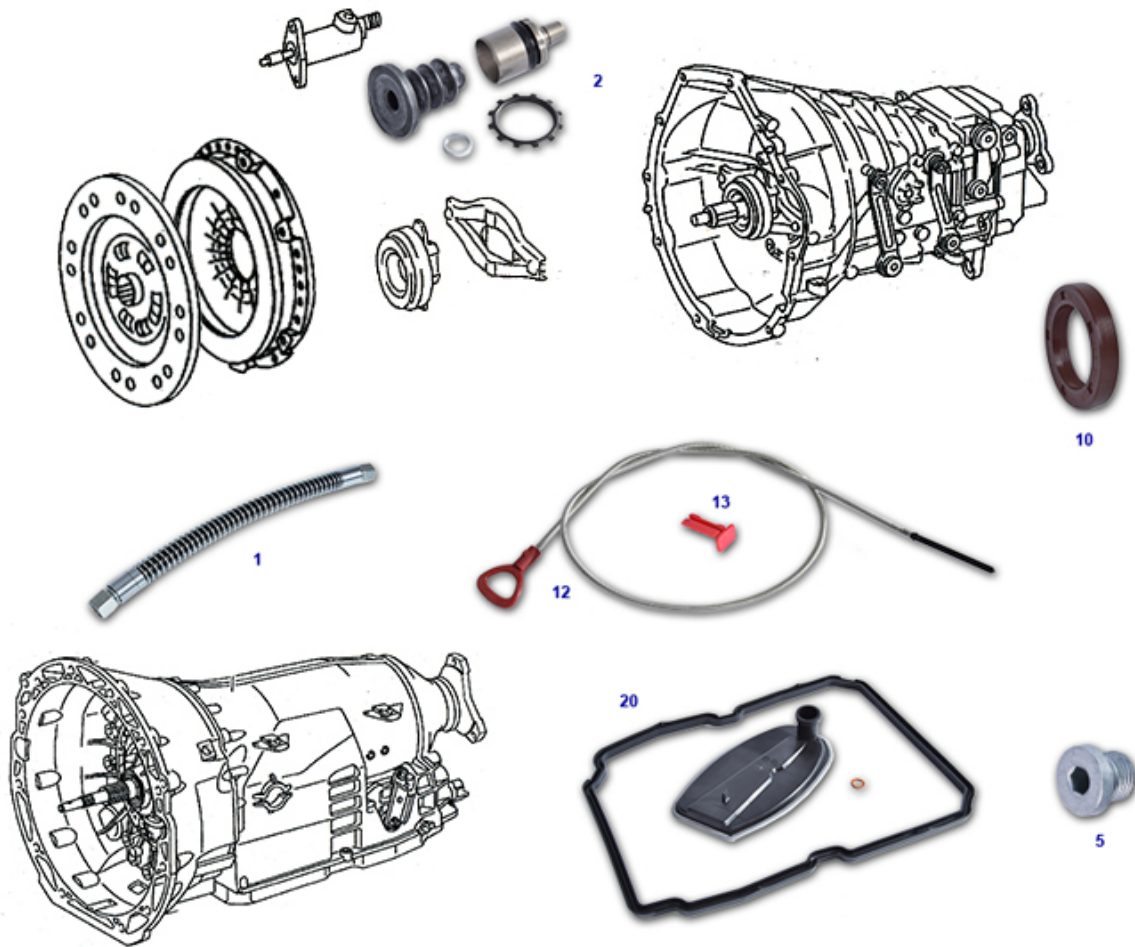


	Sender, crankshaft position	R7015366	€ 13,39	11	Seal ring, fits plastic oil filler caps, 47 x 59 x	701356	€ 1,87
11	Brand: FEBI	250102	€ 3,74	20	Crank housing gasket set M111 2,0 / 2,3	R7001231	N/A
20	Set cyl head bolts M111.973	R7001181	€ 23,22	20	Head gasket set e.g. 111.973	R7002300	€ 128,15
20	Gasket, valve cover M111 SLK 200 - 230 Kompr.	R7001210	€ 15,43	20	Head gasket set e.g. 111.943	R7002200	€ 112,31
20	Seal crankshaft rear, standard (no-rep), M103,111	705347	€ 15,46	20	45x67x8mm, no collar	303046	€ 12,20
30	Starter ring gear, manual, engines 103, 111, ..	703201	€ 34,06	30	Sender, crankshaft position	R7015266	€ 38,82
50	brand: Febi	R7018402	€ 190,85	50	el. solenoid, cam adjuster	R7005237	€ 52,32
50	Chain repair kit M111, e.g. 2.0, FEBI	R7005200	€ 178,06	51	hydr valve lifter cup, M104/119 FN	905548	€ 17,20
51	8 pcs. set hydr valve lifter cup, M104/119 FN	905549	€ 120,54	180	Sender, oil niveau in pan, with seal ring	718328	€ 57,67
180	threaded cap, plastic, oil filter housing M104, M11	918403	€ 17,08	180	Oil filter e.g. M104, ... MANN	918041	€ 11,31

09,15,18 Maintenance Eng.

Crank housing gasket set M111 2,0 / 2,3	R7001231	N/A	threaded cap, plastic, oil filter housing M104,M11	918403	€ 17,08
lower O-Ring, Motronic Injectors e.g. 111.983	R7007235	€ 1,01	Sealing ring injection nozzle, top and bottom matc	907215	€ 0,36
Sender, camshaft position	R7015264	€ 110,77	Sender, oil niveau in pan, with seal ring	718328	€ 57,67
Sender, crankshaft position	R7015265	€ 43,76	Sender, camshaft position	R7015263	€ 70,63
Sender, crankshaft position	R7015266	€ 38,82	el. sensor, temperature	R7015259	€ 13,44
map sensor	R7015258	€ 37,81	Oil filter e.g. M104, ... MANN	918041	€ 11,31
Oil filter e.g. M104 .. NoName	918741	€ 8,21	Pressure regulator	907380	€ 62,62
Set universal leveler rod, oil Autom. 722.6 ..	927581	€ 27,13	Injector M104/M111 LH/ME, replaces red Deka-Siemen Brand: FEBI	907405	€ 45,40
connector, breather hoses, ie. M112, ..	R7009319	€ 3,63		250102	€ 3,74
Seal ring, fits plastic oil filler caps, 47 x 59 x	701356	€ 1,87	Set cyl head bolts M111.973	R7001181	€ 23,22
Engine rubber mount front, fits L or R, e.g. SLK 3	R7022012	€ 51,46	8 pcs. set hydr valve lifter cup, M104/119 FN	905549	€ 120,54
Chain repair kit M111, e.g. 2.0, FEBI	R7005200	€ 178,06	Starter BOSCH, 1,1 kW, div. SLK + C-Class	R7015200	€ 195,00
starter motor Marelli 1,2kw	R7015100	€ 91,29	starter motor Marelli 1,4 kw	R7015105	€ 91,29
Sender, crankshaft position	R7015366	€ 13,39	el. solenoid, cam adjuster	R7005237	€ 52,32
locking pin, fits level tube Autom. 722.6 ...	927580	€ 0,74	Head gasket set e.g. 111.943	R7002200	€ 112,31
Spark plug BOSCH F8 KTCR	R7015918	€ 4,59	Head gasket set e.g. 111.973	R7002300	€ 128,15
Hose	R7009329	N/A	Air filter	R7009400	€ 12,92
airfilter-set for M112 R107	R7009407	€ 37,45	Air mass meter SLK 200/230 Kompressor cpl	R7009854	€ 163,98
Spark plug Bosch BOSCH F7 KTCR	R7015017	€ 6,19	Spark plug BOSCH F8 DC4	R7015018	€ 3,84
Spark plug BERU 14 F-8 DU4	R7015218	€ 3,80	Spark plug, NGK IFR 6D10	R7015718	€ 18,94
Sparkplugs BERU 14 FGH-7 DTURX 0	R7015817	€ 6,96	Spark plug BERU 14 FGH-8 DTURX 0	R7015818	€ 9,90
Sensor, air mass, SLK 200/230 Kompressor	R7009855	€ 101,05	Seal ring, cam shaft adjuster	905218	€ 1,36
belt 1775, e.g. M111 2,3 no A/C	R7099101	€ 29,99	belt 1875, e.g. M111 2,3 with A/C	R7099102	€ 39,07
belt 1330, e.g. M111 compressor	R7099103	€ 22,02	belt 2055, e.g. M111 2,0 no A/C	R7099104	€ 33,82
belt 2155, e.g. M111 2,0 with A/C	R7099105	€ 35,80	belt 2390mm, e.g. M112.947 Euro	R7099106	€ 35,30
ignition distributor repair kit	907124	€ 19,59	see 907215 (same)	907315	N/A
Gasket, valvecover M111 SLK 200 - 230 Kompr.	R7001210	€ 15,43	Gasket, valvecover M112 (3.2) RH	R7001338	N/A
Gasket, valvecover M112 (3.2) LH	R7001328	N/A	Damper, belt tensioner, (gas spring),	R7020131	€ 35,81

25, 26, 27 Clutch, Gearbox, Automatic



	Oil pan Autm. several W5A types	927507	€ 79,49		A1262605101	926010	N/A
	el. junction Autm. 722.6xx outer	R2927058	€ 11,40		adaptor, wire actuator in Autm.	R7027213	€ 15,67
	conn. , ref.-No.				722602 FN		
	Engine mount e.g. SLK 4-Cyl LH, C-	R7022013	€ 59,85		Engine mount e.g. SLK 4-Cyl RH, C-	R7022016	€ 72,85
	Class, .. FN!				Class, .. FN!		
	Rear engine rubber mount, e.g.	R7024021	N/A		Rear engine rubber mount, e.g.	R7024020	N/A
	SLK 320				170.435 manual		
	A1409901150, Nut	R7026071	N/A		central release mechanism Sachs	R7025004	€ 116,35
	clutch set 240mm Sachs,	R7025001	N/A		Clutch pressure plate for 240mm	R7025002	€ 106,01
	2pcs:frict+press-plates						
	Clutch friction disc 240mm, Sachs	R7025011	€ 167,89		Electric kit Autom. 722.6: circuit	R2927054	€ 244,63
	sealing ring set for adaptor plug	R7027025	€ 4,50		board + plug, F		
	Gasket kit Autm.box 722.6 (W5)	927805	€ 94,00		bushing, autm. lever link, ref.-No.	R7026043	€ 2,77
	Seal ring 14x20x1,5 copper, e.g.	799306	€ 0,14		A2029920010		
	oilpan				Seal ring input shaft eg G717 5-sp	926042	€ 14,35
	N000000001045	750428	N/A		Service kit Autm 722.6 e.g. W5...	927006	€ 36,99
	Dichtring 43x58x7, FKM,	R7027045	€ 7,78		FEBI		
	Rechtsdrall				Copper seal ring	207115	€ 0,18
	Rubber O-Ring, ref 140 997 3645	R7027067	N/A	1	Ausrücklager zB 129.060, 170.435	925014	€ 30,02
1	Oil hose, autm. to radiator	R7027014	€ 13,36	1	Oil hose, autm. to radiator	R7027013	€ 11,90
1	Autm.-oil hose, 107.041 Left side,	727012	€ 52,99	2	Rep.-Satz Nehmerzylinder	729033	€ 44,36
2	Clutch slave cylinder	929001	€ 26,45	2	Clutch master cyl. some 129, some	R2929104	€ 26,84
5	Seal ring 10x20, copper, sump	927023	€ 0,55	5	170		
					Drain plug Automatic M10x1 Inhex	927582	€ 0,75

	autm 722.6						
12	Set universal leveler rod, oil Autom. 927581	€ 27,13	13	locking pin, fits level tube Autom. 927580		€ 0,74	
	722.6 ..			722.6 ...			
20	Autm. Oil pan seal e.g. 722.6 ... FN 927304	€ 7,52	20	Autm filter+gasket e.g. W5... 927005		€ 14,73	

33,35,40,42,43 Frequently Required Parts Axle, Brake, Steering

bellow, rep-kit, inner	R7035131	€ 18,30	Set brake pads frt. calipers ATE, eg SLK320 no "AM	R7042032	N/A
Rubber mount, torsion bar at control arms	R7032053	€ 1,94	Gasket kit steerg pws box eg 300SL LHD.	946805	€ 39,25
Rubber bushing, torsion bar, 124, 170, need data	R7032052	€ 6,00	Rubber bushing, torsion bar, 124, 170, need data	R7032051	€ 5,03
Set flexible disc fits front or rear	R7041002	€ 95,62	Control arm, upper RH, e.g. 170.435, .. W210 div.	R7033086	€ 79,55
Control arm, upper LH, e.g. 170.435, .. W210 div.	R7033085	€ 79,55	Rubber mount front: rr axle frame to diff front 23	R7035036	€ 7,35
Rubber mount front: rr axle frame to diff front 23	R7035035	€ 7,16	Rbr mount, rr torsion bar to rr floors, per piece	R7032075	€ 3,36
Ball bearing, ctr prop shafts	R7041015	€ 12,00	repair kit control arm	R7033049	€ 27,49
lower control arm left	R7033047	€ 168,80	lower control arm right	R7033048	€ 168,80
Rubbergrommet id6,5 ad 12, div support bracket pin	799802	€ 1,17	ball joint lower outer div W202...R170, FEBI	R7033030	€ 21,18
brake caliper rear left, ref.-No. A0014205083	R7042853	€ 89,00	brake disc front, ATE, ref.-No. A2104210712	R7043499	€ 65,00
rubberized pot	R7035146	€ 20,99	brake hose 310mm e.g. rear R170, ref.-No. A2104280	R7043052	€ 14,26
brake caliper rear left, ref.-No. A0014205183	R7042054	€ 348,00	brake caliper rear left, ref.-No. A0014205083	R7042053	€ 348,00
brake caliper rear right, ref.-No. A0014205183	R7042854	€ 89,00	rear axle body R170, overhauled	R7035805	€ 1.852,00
1 pair of brake discs, SLK, ... please send Data	R7043300	€ 57,12	el. brake pressure sensor	R7054819	€ 82,38
rear axle subframe R170, repro.	R7035801	€ 466,48	brake disk rear SLK, ref.No. A2104230412	R7043310	€ 24,87
plastic grommet, prop shaft Repro, ref. A 202 411	541012	€ 3,45	Brake line, e.g. ABS->wheel frt.rt.	742168	€ 12,02
Brake line 390mm	142814	€ 10,95	ctr prop shaft mount	R7041019	€ 67,09
A2023509608 see items R7035035 + ...036	R7035150	N/A	Set brake pads frt. calipers ATE, eg SLK 4-cyl	R7042030	€ 65,00
front Shock absorber, gas, Bilstein, high performa	R7032301	€ 190,40	valve cap, black	740035	€ 0,07
Rep.-Kit rear subframe mounts	R7035028	€ 46,59	Shock absorber, gas, Bilstein, standard	R7032101	€ 180,88
Shock absorber, gas, Bilstein, standard	R7032111	€ 189,21	front Shock absorber, gas, Bilstein, performance	R7032201	€ 184,45
rear Shock absorber, gas, Bilstein, performance	R7032211	€ 184,45	rear Shock absorber, gas, Bilstein, high performan	R7032311	€ 190,40
Cover plate rear brake disc LH, 129, 124, 170, ...	942230	€ 26,36	Steering damper, Bilstein, R170 SLK	R7046080	€ 59,50
Control arm, upper RH, e.g. 170.449, .. W210 div.	R7033088	€ 49,81	Control arm, upper LH, e.g. 170.449, .. W210 div.	R7033087	€ 42,33
A1704630015 steerg rod e.g. 170.435, others, Spida	R7046960	N/A	ref 1704630015 Full steering tie rod	R7046860	N/A
Idler arm rep.-kit	R7046062	€ 17,85	Tool: support arm joint mover 129, 124, ...	958350	€ 124,95
Cover plate rear brake disc RH, 129, 124, 170, ...	942240	€ 26,36	rubber mount, rear diff housg to axle frame R170	R7035026	€ 15,92
Cover plate front brake disc LH	R7042210	€ 19,78	Control arm rr axle, spring arm ".0206", w,bushin	R7035062	€ 62,97
Rep.-Satz Hi-Achsträger vo.an Boden	935020	€ 78,23	Seal ring Diff axle shaft 45 x 85,3	735223	€ 8,04
Brake caliper 38mm, rear right. R129 R170	942321	€ 130,90	Brake caliper 38mm, rear left R129 R170	942311	€ 130,90
Cover plate front brake disc RH	R7042220	€ 23,98	Lock cylinder steering, aftermarket	R7046852	€ 17,65
Drive shaft fits 202 350 5610	R7035275	€ 220,42	Locking nut, bearing stud div.	933077	€ 5,85
support strut, L, sway bar mount	R7032814	€ 4,31	support strut, R, sway bar mount	R7032824	€ 4,31
Rubber bushing, torsion bar, 124, 170, need data	R7032851	€ 3,15	bellow, rep-kit, inner	R7035132	€ 20,56
Drive shaft fits 202 350 8410	R7035276	€ 174,87		R7042855	€ 3,39

47, 49, 50

Fuel pump e.g. SL/SLK 320, Pierburg	R7047047	€ 183,81	Nut	742199	€ 0,35
Fuel pump e.g. SL/SLK 230, Pierburg	R7047046	€ 174,29	Fuel sending unit, R171, Repro	R7147816	€ 64,08
rbr buffer, radiator to frame	R7050056	N/A	Fuel Cap, e.g. 129,170, others from 124 on	947010	€ 9,50
leaf spring, radiator to shroud	950022	€ 1,77	3-way Clamp Fuel Pipes, W113 (EU)	247040	€ 2,90
rubber inlay, for 3 pipes (8 + 8 + 5mm)	247859	€ 5,63	cable clip e.g. fuel hose	747994	€ 1,42
Thermostat 87°C e.g. M111.973, others	R7020210	€ 29,01	radiator fan R170	R7050050	€ 191,59
water pump Marelli e.g. SLK 200, ref.-No. A1112004	R7020240	€ 74,60	Water pump e.g. 112.947	R7020820	€ 75,57
Fuel pump e.g. SL/SLK 320, Marelli	R7047247	€ 226,89	Exh.mounting bits e.g. SLK200, HJS 82132524	R7049045	€ 10,59
exhaust mounting kit R170	R7049040	€ 14,90	Plastic fastening part, for cable holder	999847	€ 2,32
Water hose, regulator->pump, e.g. M111	R7050204	€ 7,38	Water pump e.g. 112.947	R7020320	€ 149,99
Fuel pump unit (in tank) R171, DELPHI	R7047048	N/A	combined contents mid+rear silencer	R7049031	€ 450,20
Fuel pump e.g. SL/SLK 320, Bosch	R7047147	€ 233,17	Valve, fuel vapor filter regeneration pipe	R7047159	€ 49,98
Fuel filter,	R7047700	€ 12,50	Fuel filter, Mann, w.internal valve *veh. with no mid silencer	R7047701	€ 80,85
Exhaust mount rubber near rear axle	R7049019	€ 2,65		R7049032	€ 224,90
metal ring right pipe	R7049062	€ 3,81	Rear silencer	R7049833	€ 222,41
Water pump e.g. 111.973	R7020230	€ 149,99	Rear silencer	R7049933	€ 314,87
Rear silencer	R7049834	€ 262,75	Rear silencer	R7049934	€ 299,99
Middle silencer	R7049821	€ 233,55	Ctre silencer R170 SLK200, 96'-,Eberspächer	R7049921	€ 220,98
Rubber mount ring, ctre, from 09.85	749059	€ 3,25	Rubber buffer, exhaust	798747	€ 0,92
Water pump e.g. 111.946	R7020220	€ 92,82	A1244760184 rbr comb for pipes	R7047039	€ 4,75

62, 64, 72, 88 Body

82 Lighting, Wipers, Heater

taillight rh R170	R7082290	N/A	nozzle@filling-level meter	R7086326	€ 3,44
Sensor, temperature (at bumpers)	R7054095	€ 12,65	grommet, washer pump ie 170	R7098771	€ 4,12
el. contact switch, door 129, 170, 124, ...	982021	€ 4,50	headlamp system		
resistor for in-cabin fan, Febi	R7083101	€ 110,10	in-cabin fan, Febi	R7083100	€ 146,55
spray nozzle for headlamp cleaning rh	R7086247	€ 149,00	spray nozzle for headlamp cleaning lh	R7086147	€ 149,00
waterpump headlamp cleaning late	R7086421	€ 22,00	pump for headlamp cleaning early	R7086321	€ 26,99
pump windscreen cleaning	R7086921	€ 6,98	hose connector@spray nozzle	R7086224	€ 5,86
nozzle reservoir@wheelhouse liner	R7086327	€ 2,75	nozzle@water reservoir	R7086325	€ 3,55
nozzle@pump headlight cleaning	R7086328	€ 4,21	Rubber, wiper blade 1 pce 612mm, R129..	982231	€ 13,24
hose distributor	R7086330	€ 3,77	stop plug@water reservoir	R7086329	€ 2,73
Screw M6 e.g. Bonnet hinges	299289	€ 0,38	hose for headlight cleaning, 2,3m	R7086332	€ 12,14
Hose, w/washer, rein.,per metre	786040	€ 2,50	level switch water reservoir, late	R7086045	€ 29,09
hose@reservoir cap	R7086194	€ 56,77	'T' piece,w/washer hose/noz	786043	€ 1,32
Nut	999809	€ 0,38	Tube grommet, pump to reservoir	798771	N/A
Lamp socket	R7054046	€ 8,27	del-t: Floor/Body Panel Plug - 13,5mm	998784	€ 1,27
taillight lh R170	R7082291	N/A	Bulb 12V/0,5W, see picture	799083	€ 1,52
taillight rh R170	R7082390	€ 158,00	Glühlampe H7 12V 55W	999090	€ 6,96
headlight rh R170	R7082180	€ 164,04	taillight lh R170	R7082391	€ 158,00
Xenon-headlight rh R170	R7082980	€ 803,70	headlight lh R170	R7082181	€ 164,04
Lamp socket	R7054047	€ 8,94	Xenon-headlight lh R170	R7082981	€ 803,70
Lamp socket for US flasher (2 beam)	R7054049	€ 23,80	Lamp socket	R7054048	€ 11,36
Actuator, light adjuster	R7082541	€ 86,28	one pair of wiper blades 530mm	R7082231	€ 26,45
indicator bulb yellow, 12V, 5W, W2,1X9,5d	R7082379	€ 1,89	Interior filter R170 (->FN580), 202, .. Div., MANN	R7083111	€ 16,62
Bulb, 55W H1, e.g. 113 if Halogen equipped	299090	€ 2,89	Bulb, 1,2 Watts, plastic socket	R7099097	€ 1,64
Bulb 12V / 21W direction indicator	299085	€ 1,25	indicator bulb yellow, 12V, 21W, BAU15s, yellow	R7082585	€ 1,89
Bulb 12V / 10W, torpedo, total length 44	299094	€ 0,51	Bulb 12V / 5W, torpedo, total length 38	299098	€ 1,54
instrument panel light bulb 12V, 1,2W, BX8,5d	R7054294	€ 3,56	instrument panel bulb 12V, 1,5W, BX8,4d	R7054608	€ 4,17
instrument panel bulb 12V, 2W W2,1X9,5d	R7054223	€ 1,79	Bulb, e.g. trunk light	282033	€ 2,50
instrument panel bulb 12V, 5W, W2,1X9,5d	R7054598	€ 1,18	Lamp 2W, cockpit lighting	799096	N/A
Interior filter R170 (FN580->), 210 Div., MANN	R7083210	€ 28,69	Fuses	R7058090	€ 1,90
			Nut	742199	€ 0,35

99 Add Ons

Book (german) Allner "MB SLK & SLC"	R7011311	€ 26,96	Trunk luggage rack carrier R170	R7075890	€ 369,00
Mesh windshield "Weyer" R170	R7086105	€ 179,00	Mesh windshield "Weyer" R170	R7086107	€ 491,72
Fuses	R7058090	€ 1,90	Flat fuse 10A (red) type ATO std	558094	€ 0,18
German, Tobias Zoporowski	R7011312	N/A	Accessory module roof control R170 Remote+Comfort	R7077545	€ 255,85
Tool: support arm joint mover 129, 124, ...	958350	€ 124,95	soft cover with hooks R170	R7099910	€ 25,52